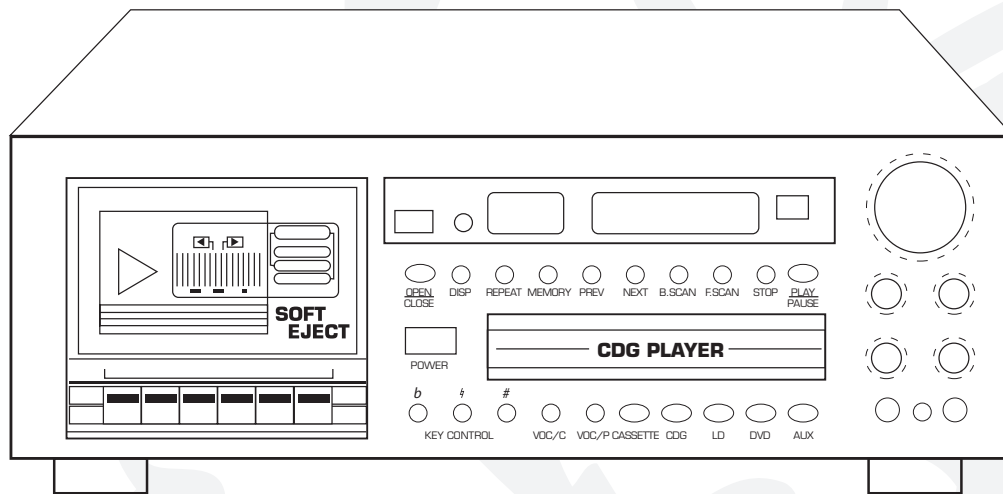


VocoPro[®]

THE SINGER'S ULTIMATE CHOICE[™]



o w n e r ' s m a n u a l

CDG-X3P

Digital Key Control CD/CDG Cassette Player

Table of contents

Introduction

Safety instructions	2
FCC information.....	3
Welcome	4
Listening for a lifetime	5
Specifications and Unpacking.....	6

Getting Connected

Basic Connections	7-9
-------------------------	-----

Controls and Functions

Front panel	10-12
Rear panel	14
Remote control	15

Operations

Remote control operations	16
Basic operations.....	17-19
Troubleshooting.....	20



Safety instructions



CAUTION RISK OF SHOCK



CAUTION: To reduce the risk of electric shock, do not remove cover (or back). No user-serviceable parts inside. Only refer servicing to qualified service personnel.

Explanation of Graphical Symbols



The lightning flash & arrowhead symbol, within an equilateral triangle, is intended to alert you to the presence of danger.



The exclamation point within an equilateral triangle is intended to alert you to the presence of important operating and servicing instructions.

WARNING

To reduce the risk of fire or electric shock, do not expose this unit to rain or moisture.

1. Read Instructions - All the safety and operating instructions should be read before the appliance is operated.

2. Retain Instructions - The safety and operating instructions should be retained for future reference.

3. Heed Warnings - All warnings on the appliance and in the operating instructions should be adhered to.

4. Follow Instructions - All operating and use instructions should be followed.

5. Attachments - Do not use attachments not recommended by the product manufacturer as they may cause hazards.

6. Water and Moisture - Do not use this unit near water. For example, near a bathtub or in a wet basement and the like.

7. Carts and Stands - The appliance should be used only with a cart or stand that is recommended by the manufacturer.

7 A. An appliance and cart combination should be moved with care. Quick stops, excessive force, and uneven surfaces may cause an overturn.



8. Ventilation - The appliance should be situated so its location does not interfere with its proper ventilation. For example, the appliance should not be situated on a bed, sofa, rug, or similar surface that may block the ventilation slots.

9. Heat - The appliance should be situated away from heat sources such as radiators, heat registers, stoves, or other appliances (including amplifiers) that produce heat.

10. Power Sources - The appliance should be connected to a power supply only of the type described in the operating instructions or as marked on the appliance.

11. Grounding or Polarization - Precautions should be taken so that the grounding or polarization means of an appliance is not defeated.

12. Power-Cord Protection - Power-supply cords should be routed so that they are not likely to be walked on or pinched by items placed upon or against them, paying particular attention to cords at plugs, convenience receptacles, and the point where they exit from the appliance.

13. Cleaning - Unplug this unit from the wall outlet before cleaning. Do not use liquid cleaners or aerosol cleaners. Use a damp cloth for cleaning.

14. Power lines - An outdoor antenna should be located away from power lines.

15. Nonuse Periods - The power cord of the appliance should be unplugged from the outlet when left unused for a long period of time.

16. Object and Liquid Entry - Care should be taken so that objects do not fall and liquids are not spilled into the enclosure through openings.

17. Damage Requiring Service - The appliance should be serviced by qualified service personnel when:

- A. The power supply cord or plug has been damaged; or
- B. Objects have fallen into the appliance; or
- C. The appliance has been exposed to rain; or
- D. The appliance does not appear to operate normally or exhibits a marked change in performance; or
- E. The appliance has been dropped, or the enclosure damaged.

18. Servicing - The user should not attempt to service the appliance beyond that described in the operating instructions. All other servicing should be referred to qualified service personnel.

Note:

To CATV system installer's (U.S.A.): This reminder is provided to call the CATV system installer's attention to Article 820-40 of the NEC that provides guidelines for proper grounding and, in particular, specifies that the cable ground shall be connected as close to the point of cable entry as practical.

FCC information (U.S.A.)

1. IMPORTANT NOTICE: DO NOT MODIFY THIS

UNIT!: This product, when installed as indicated in the instructions contained in this manual, meets FCC requirements. Modifications not expressly approved by Vocopro may void your authority, granted by the FCC, to use this product.

2. IMPORTANT: When connecting this product to accessories and/or another product use only high quality shielded cables. Cable(s) supplied with this product **MUST** be used. Follow all installation instructions. Failure to follow instructions could void your FCC authorization to use this product in the U.S.A.

3. NOTE: This product has been tested and found to comply with the requirements listed in FCC Regulations, Part 15 for Class "B" digital devices. Compliance with these requirements provides a reasonable level of assurances that your use of this product in a residential environment will not result in harmful interference with other electronic devices. This equipment generates/uses radio frequencies and, if not installed and used according to the instructions found in the owner's manual, may cause interference harmful to the operation of other electronic devices. Compliance with FCC regulations does not guarantee that interference will not occur in all installations. If this product is found to be the source of interference, which can be determined by turning the unit "Off" and "On", please try to eliminate the problem by using one of the following measures:

Relocate either this product or the device that is being affected by the interference.

Use power outlets that are on different branch (circuit breaker or fuse) circuits or install AC line filter(s).

In the case of radio or TV interference, relocate/reorient the antenna. If the antenna lead-in is 300-ohm ribbon lead, change the lead-in to coaxial type cable.

If these corrective measures do not produce satisfactory results, please contact your local retailer authorized to distribute Vocopro products. If you can not locate the appropriate retailer, please contact Vocopro, 1728 Curtiss Court, La Verne, CA 91750.

CAUTION

The apparatus is not disconnected from the AC power source so long as it is connected to the wall outlet, even if the apparatus itself is turned off. To fully insure that the apparatus is indeed fully void of residual power, leave unit disconnected from the AC outlet for at least fifteen seconds.

CAUTION:

READ THIS BEFORE OPERATING YOUR UNIT

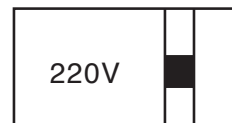
1. To ensure the finest performance, please read this manual carefully. Keep it in a safe place for future reference.
2. Install your unit in a cool, dry, clean place - away from windows, heat sources, and too much vibration, dust, moisture or cold. Avoid sources of hum (transformers, v motors). To prevent fire or electrical shock, do not expose to rain and water.
3. Do not operate the unit upside-down.
4. Never open the cabinet. If a foreign object drops into the set, contact your dealer.
5. Place the unit in a location with adequate air circulation. Do not interfere with its proper ventilation; this will cause the internal temperature to rise and may result in a failure.
6. Do not use force on switches, knobs or cords. When moving the unit, first turn the unit off. Then gently disconnect the power plug and the cords connecting to other equipment. Never pull the cord itself.
7. Do not attempt to clean the unit with chemical solvents: this might damage the finish. Use a clean, dry cloth.
8. Be sure to read the "Troubleshooting" section on common operating errors before concluding that your unit is faulty.
9. This unit consumes a fair amount of power even when the power switch is turned off. We recommend that you unplug the power cord from the wall outlet if the unit is not going to be used for a long time. This will save electricity and help prevent fire hazards. To disconnect the cord, pull it out by grasping the plug. Never pull the cord itself.
10. To prevent lightning damage, pull out the power cord and remove the antenna cable during an electrical storm.
11. The general digital signals may interfere with other equipment such as tuners or receivers. Move the system farther away from such equipment if interference is observed.

NOTE:

Please check the copyright laws in your country before recording from records, compact discs, radio, etc. Recording of copyrighted material may infringe copyright laws.

Voltage Selector (General Model Only)

Be sure to position the voltage selector to match the voltage of your local power lines before installing the unit.



Welcome



VocoPro
ULTIMATE CHOICE OF KARAOKE ENTERTAINMENT

And Thank you for purchasing the **CDG-X3P** from VocoPro, your ultimate choice in Karaoke entertainment! With years of experience in the music entertainment business, VocoPro is a leading manufacturer of Karaoke equipment, and has been providing patrons of bars, churches, schools, clubs and individual consumers the opportunity to sound like a star with full-scale club models, in-home systems and mobile units. All our products offer solid performance and sound reliability, and to reinforce our commitment to customer satisfaction, we have customer service and technical support professionals ready to assist you with your needs. We have provided some contact information for you below.

VocoPro

1728 Curtiss Court
La Verne, CA 91750

Toll Free: 800-678-5348

TEL: 909-593-8893

FAX: 909-593-8890

VocoPro Company Email Directory

Customer Service & General Information

info@vocopro.com

Tech Support

techsupport@vocopro.com

Remember Our Website

Be sure to visit the VocoPro website **www.vocopro.com** for the latest information on new products, packages and promos. And while you're there don't forget to check out our Club VocoPro for Karaoke news and events, chat rooms, club directories and even a KJ Service directory!

We look forward to hearing you sound like a PRO, with VocoPro, your ultimate choice in Karaoke entertainment.

FOR YOUR RECORDS

Please record the model number and serial number below, for easy reference, in case of loss or theft. These numbers are located on the rear panel of the unit. Space is also provided for other relevant information.

Model Number _____

Serial Number _____

Date of Purchase _____

Place of Purchase _____

Listening for a lifetime

Selecting fine audio equipment such as the unit you've just purchased is only the start of your musical enjoyment. Now it's time to consider how you can maximize the fun and excitement your equipment offers. VocoPro and the Electronic Industries Association's Consumer Electronics Group want you to get the most out of your equipment by playing it at a safe level. One that lets the sound come through loud and clear without annoying blaring or distortion and, most importantly, without affecting your sensitive hearing.

Sound can be deceiving. Over time your hearing "comfort level" adapts to a higher volume of sound. So what sounds "normal" can actually be loud and harmful to your hearing. Guard against this by setting your equipment at a safe level BEFORE your hearing adapts.

To establish a safe level:

- Start your volume control at a low setting.
- Slowly increase the sound until you can hear it comfortably and clearly, and without distortion.

Once you have established a comfortable sound level:

- Set the dial and leave it there.
- Pay attention to the different levels in various recordings.

Taking a minute to do this now will help to prevent hearing damage or loss in the future. After all, we want you listening for a lifetime.

Used wisely, your new sound equipment will provide a lifetime of fun and enjoyment. Since hearing damage from loud noise is often undetectable until it is too late, this manufacturer and the Electronic Industries Association's Consumer Electronics Group recommend you avoid prolonged exposure to excessive noise. This list of sound levels is included for your protection.

Some common decibel ranges:

Level	Example
30	Quiet library, Soft whispers
40	Living room, Refrigerator, Bedroom away from traffic
50	Light traffic, Normal Conversation
60	Air Conditioner at 20 ft., Sewing machine
70	Vacuum cleaner, Hair dryer, Noisy Restaurant
80	Average city traffic, Garbage disposals, Alarm clock at 2 ft.

The following noises can be dangerous under constant exposure:

Level	Example
90	Subway, Motorcycle, Truck traffic, Lawn Mower
100	Garbage truck, Chainsaw, Pneumatics drill
120	Rock band concert in front of speakers
140	Gunshot blast, Jet plane
180	Rocket launching pad

-Information courtesy of the Deafness Research Foundation

Specifications and unpacking

Specifications

Audio Input (At 1 kHz)

Microphone	2.5MV / 10K Ω
AUX / VD / LD / CDG / Cassette	150MV / 50 Ω
Audio Output.....	500MV

Video

CDG /LD / VD	1V P-P/75 Ω
Freq. Resp. AUX / VD / LD / CDG / Cassette	20Hz-20kHz \pm 3dB

Tone Control (Music)

Bass.....	\pm 9dB (100Hz) \pm 2
Treble	\pm 9dB (100Hz) \pm 2

Tone Control (Music)

100Hz.....	0dB / \pm 3dB
10kHz.....	\pm 4dB / \pm 3dB
Echo Delay Time	100 MSEC - 200 MSEC
Key Control Range	\pm 9 steps
S/N Ration.....	> 75dB
Cassette Motor Speed (ATT - 111N 3kHz).....	2940Hz - 3090Hz
Cassette WOW-fileter (ATT - 111N 3kHz).....	<0.3%
Power Requirements.....	AC 117V / 230V; 60Hz / 50Hz
Power Consumption	18 Watt
Video Switch (CD+G only)	PAL / NTSC
Dimensions.....	17" (W) X 16.6" (D) X 6.2" (H)

AC Outlets

Unswitched.....	1 (Total 250W)
-----------------	----------------

Unpacking the CDG-X3P

Carefully remove the CDG-X3P player from its carton before discarding the packaging materials. If it should become necessary to return the unit for any reason the original packaging materials are best suited for transporting the unit to minimize any potential damage.

IMPORTANT NOTE!: YOU WILL NEED TO CONNECT THIS UNIT TO AN AMPLIFICATION SOURCE, WITH SPEAKERS CONNECTED TO THE AMPLIFIER.

Supplying Power to the CDG-X3P

IMPORTANT! Be sure all your components i.e., amplifier, TV monitor, etc., are connected to the CDG-X3P BEFORE connecting to a power source and supplying power to the unit.



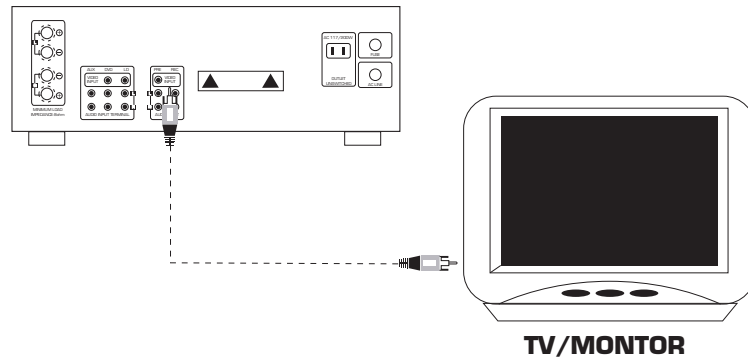
Getting connected

Connecting the CDG-X3P to a Television/Monitor

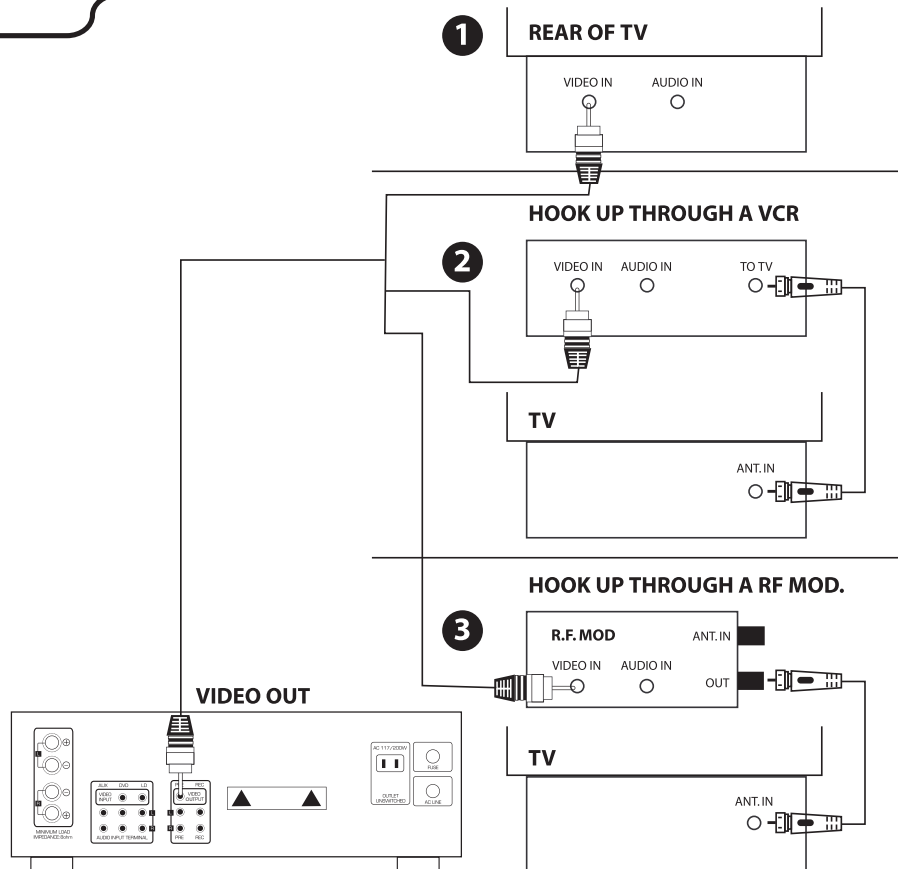
1. Connect one end of the RCA cable to the VIDEO OUTPUT on the rear panel of the CDG-X3P
2. Connect the other end of the RCA cable to the RCA video input on your Television/Monitor.

NOTE: If your television does not have an RCA type connector you may use a VCR or an RF Modulator (not included) to connect your monitor. (See "RF Connection".)

TV/Monitor



RF Connection



Getting connected cont.

Connecting the CDG-X3P to a Microphone

IMPORTANT! Before connecting a microphone, be sure the power is off or the volume is turned all the way down. When the microphone is plugged in and the unit is on do not point the microphone toward the speakers or leave an unattended microphone too close to the speakers when the volume is up. This can create a loud squeal called "feedback" and could possibly damage your speakers.

1. Using a microphone cable, designed for use with most Karaoke products, connect a microphone to the end of the cable with the "XLR" connector.
2. Connect the end of the cable with the 1/4" connector into either of the MIC 1/4" jacks on the front of the CDG-X3P.

The CDG-X3P is designed so you can connect other components to it and use the Karaoke features that are built-in to the CDG-X3P in conjunction with those components.

Expanding Your System - Using the CDG-X3P with other components

You may use the Karaoke features that are built into the CDG-X3P with other components just by connecting the components as described in this section. The Karaoke features will automatically be functional when additional components are properly connected.

Connecting a DVD Player or Mini-Disc Player to the CDG-X3P

Using an RCA connector cable, connect the "L" and "R" "DVD" INPUT jacks to the "L" and "R" "AUDIO OUTPUT" jacks on the DVD player (check manufacturer's instructions). Be sure to set the input selector on the front of the CDG-X3P to "DVD", otherwise there will be no sound. Play the DVD player as usual. Music from the DVD player will be audible from your speakers and the Karaoke features will be functional.

Connecting a Laser Disc Player

Using an RCA connector cable, connect the "L" and "R" "LD" INPUT jacks to the "L" and "R" "AUDIO OUTPUT" jacks on the LD player (check manufacturer's instructions). Be sure to set the input selector on the front of the CDG-X3P to "LD", otherwise there will be no sound. Play the LD player as usual. Music from the LD player will be audible from your speakers and the Karaoke features will be functional.

Connecting an Amplifier (for sound)

An amplifier should be connected to the CDG-X3P through the "L" and "R" "PRE" OUTPUT jacks located in the back of the CDG-X3P (See manufacturer's instructions with your amplifier)

Connecting an Additional Tape Deck to Play or Record On the CDG-X3P

To Play Music From an Additional Tape Deck Through the CDG-X3P: Using an RCA connector cable, connect the "L" and "R" "AUX" INPUT jacks on the CDG-X3P to the "L" and "R" "AUDIO OUTPUT OR PLAY OUT" jacks on the tape deck (check manufacturer's instructions). Be sure to set the input selector on the front of the CDG-X3P to "AUX", otherwise there will be no sound. Play the tape deck as usual. Music from the tape deck will be audible from your speakers. All the Karaoke features will be functional except video.

To Record to the CDG-X3P from an Additional Tape Deck: To record music from the additional tape deck to the CDG-X3P tape deck, play the additional tape deck and follow the directions for recording on the CDG-X3P tape deck under "USING THE CASSETTE DECK, To Record With The Cassette Deck".

Connecting the CDG-X3P to Your Home Stereo

Using an RCA connector cable, connect the "L" and "R" "PRE" OUTPUT jacks on the CDG-X3P to any of the "L" and "R" "AUDIO INPUT" channels i.e., "CD" or "AUX" on your stereo. **DO NOT CONNECT TO THE PHONO JACKS.** (Check manufacturer's instructions). Be sure to set the input selector on your stereo to the corresponding input jacks you have selected to connect the CDG-X3P, otherwise there will be no sound. Play the CDG-X3P as usual. Music from the CDG-X3P will be audible from the stereo speakers. All the Karaoke features will be functional.

Getting connected cont.

External speaker connection

You can connect directly to speakers using either MDP (banana plug) speaker cables or standard speaker wires.

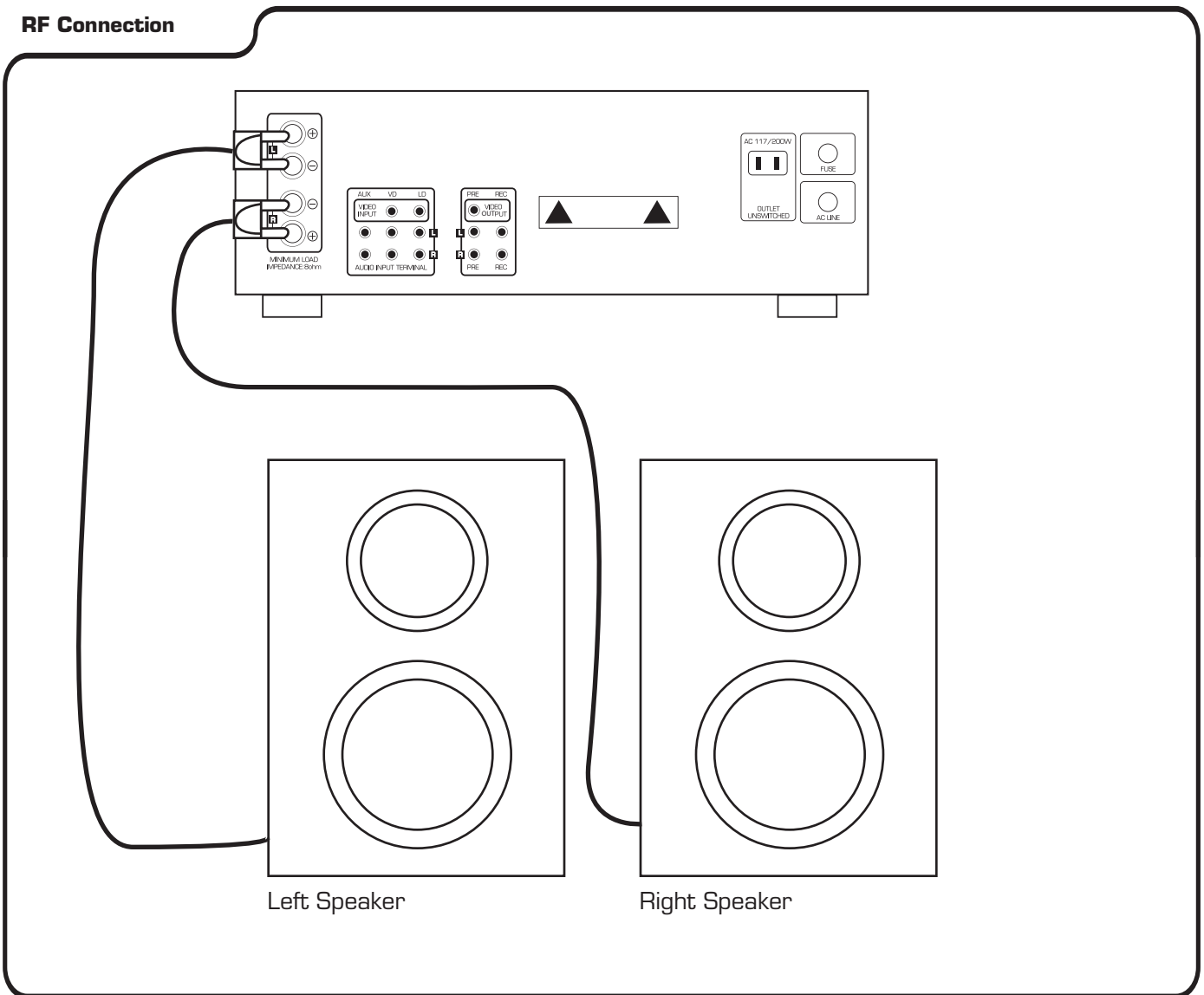
Using MDP (Banana Plug) Speaker Cables

Be sure to correctly match the polarities (+/-). Please do not try to connect more than one speaker per channel, as the load may exceed the amplifiers handling capacity, causing it to overload.

Using Standard Speaker Wire

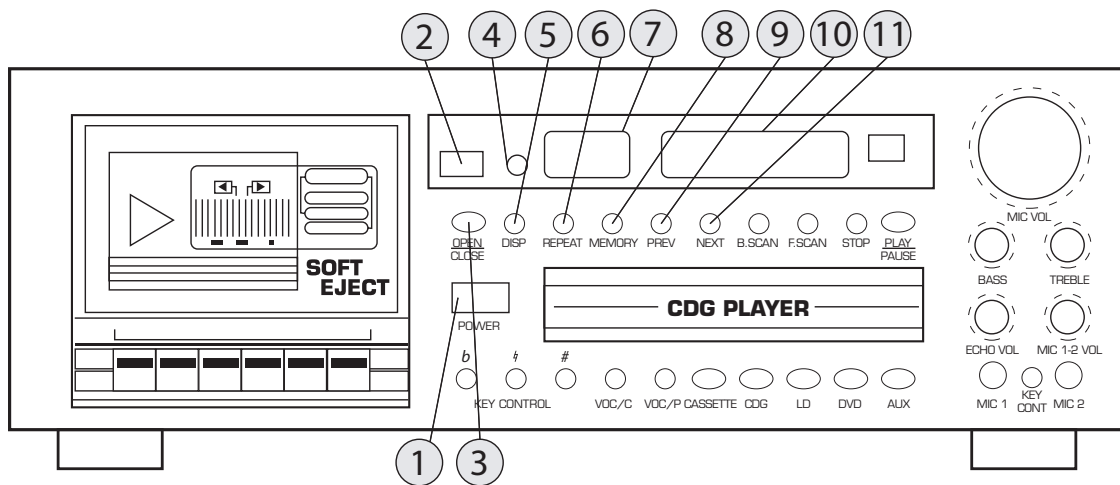
Unscrew each plastic bind until you are able to see an interior hole for speaker wire (this is easier to locate when viewing from a side angle). Slide the speaker wires into the slots and tighten the plastic binds to tighten them in place. Be sure there is no insulation on the speaker wire preventing conductivity.

RF Connection



Front panel controls and functions

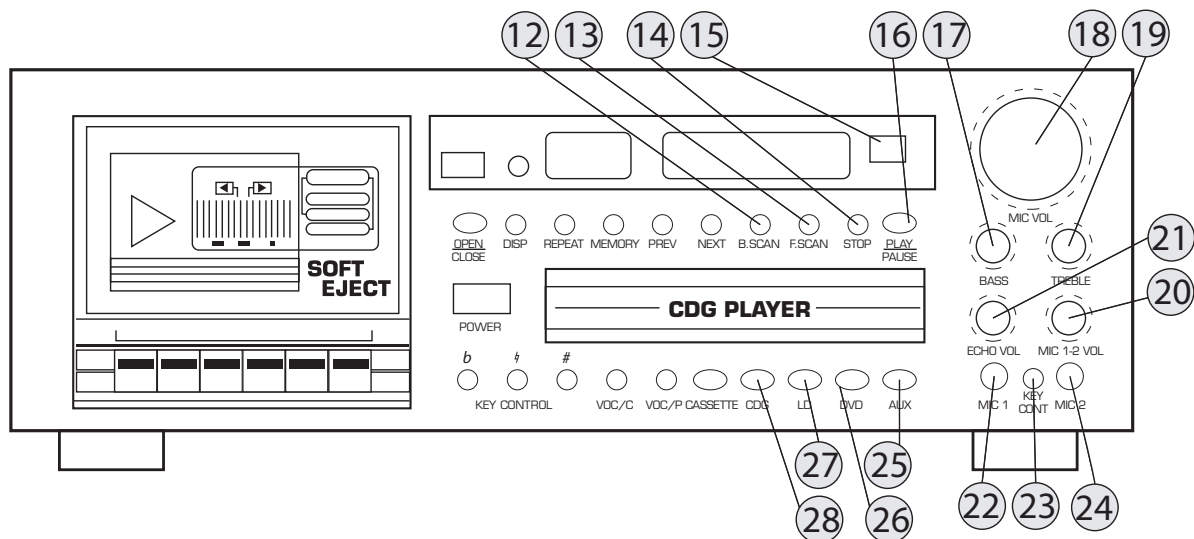
Front Panel



- 1. POWER** button - Turns on the power to the CDG-X3P.
- 2. TAPE COUNTER** - Use the tape counter when playing or recording cassettes to keep track of your location on the tape.
- 3. OPEN/CLOSE** button - To open/close the disc tray.
- 4. RESET** button - Push the reset button to reset the tape counter to zero when using the cassette deck.
- 5. DISPLAY** button - When playing a CD/CDG disc and pressed once this button displays the remaining number of songs to play on the disc, and time remaining in minutes and seconds to play them, in the CDG Display Window (#10). This feature works only with the CD/CDG player. When pressed again the window displays the song selection number and the elapsed time in minutes and seconds.
- 6. REPEAT** button - When using the CD/CDG player and pressed once, this feature allows the user to repeat the current song selection. When pressed twice all the songs on the disc will repeat once each. Songs will repeat until the button is pressed a third time. The display window will show which function you have selected, "REPEAT" (repeats current song selection) or "ALL" (repeats all songs).
- 7. KEY CONTROL DISPLAY** - Displays the number of half-steps up (+) or down (-) you have chosen. When the display reads zero "0" you are in the song's "natural" key.
- 8. MEMORY** button - The memory function is used to program specific song selections in any order. First, you'll need to clear the memory. If there is a CD/CDG in the player press stop. Press the "OPEN/CLOSE" button once until the tray opens and again to close it. Doing this will clear out any previously stored program(s) from the memory. Next, press the "MEMORY" button once. There will be a "P:01" with the word "PROGRAM" above it and two dashes (- -) to the left, shown in the display window. Press the "NEXT" button the desired amount of times to display the song selection number you wish to program first in your program order. The song selection number will be displayed where the two dashes were (- -). Proceed to program the next song selection by pressing the "MEMORY" button again. Doing so will store your first song selection and display a "P:02" and two dashes (- -) to the left. Repeat the process as above to program up to twenty song selections. When finished, press "PLAY/PAUSE" to begin playing your selections. The program order will be stored until the "OPEN/CLOSE" button is pressed again.
- 9. PREVIOUS SELECTION** button - Press this button to select the previous song on the CDG disc being played. Press once for each song you want to skip back to, or hold the button down to skip back continually. The selection number will be displayed in the display window.
- 10. CDG DISPLAY WINDOW** - This window displays the current song selection playing on the CDG disc.
- 11. NEXT SELECTION** button - Press this button to advance the CDG to the next song selection. Press once for each song you want to advance to, or hold the button down to advance continually. The selection number will be displayed in the display window.

Front panel controls and functions cont.

Front Panel



12. B-SCAN - Press this button to scan the song selection in reverse. This feature works the same as the "rewind" key on a cassette deck. The difference between this feature and the "PREV" selection control button is this feature reverses the CDG within the song selection and the "PREV" button skips back to the previous song.

13. F-SCAN - Press this button to forward scan the song selection. This feature works the same as the "fast-forward" key on a cassette deck. The difference between this feature and the "NEXT" selection control button is this feature advances the CDG within the song selection and the "NEXT" button skips forward to the next song.

14. STOP - This button stops the CDG from playing.

15. REMOTE SENSOR - This window allows the CDG-X3P to communicate with the hand held remote control. Do not block the window or the remote control will not work properly.

16. PLAY/PAUSE - Use this button to start playing the song selection and/or to pause the selection at any time during play. Press once to play, press again to pause. If paused, press once to resume playing song selection.

17. BASS CONTROL - This controls the amount of bass tone in the music being played.

18. MUSIC VOLUME - This controls the volume of the music being played.

19. TREBLE CONTROL - This controls the amount of treble tone in the music being played.

20. MIC VOLUME 1-2 - This controls the volume for the both microphone inputs.

21. ECHO CONTROL - Control the Digital Echo levels for both microphones. Turn Clockwise to increase the Echo level and counter-clockwise to decrease the Echo level.

22. MIC 1 - Microphone input jack.

23. KEY CONT. - This is used to connect the optional "key control" microphone. (not included)

24. MIC 2 - Microphone input jack for a 2nd microphone.

25. AUX - Auxilliary input selector button. Pressing this key will select the component that is connected to the auxilliary input. For example, if an additional tape deck or CD player is used with the CDG-X3P, and it is connected to the "AUX" input jacks, this button will need to be selected before the component can be used.

26. DVD - Digital video disc input selector button. Pressing this button will select the component that is connected to the DVD input jacks. For example, if a DVD player is used with the CDG-X3P, and it is connected to the "DVD" input jacks, this button will need to be selected before the component can be used.

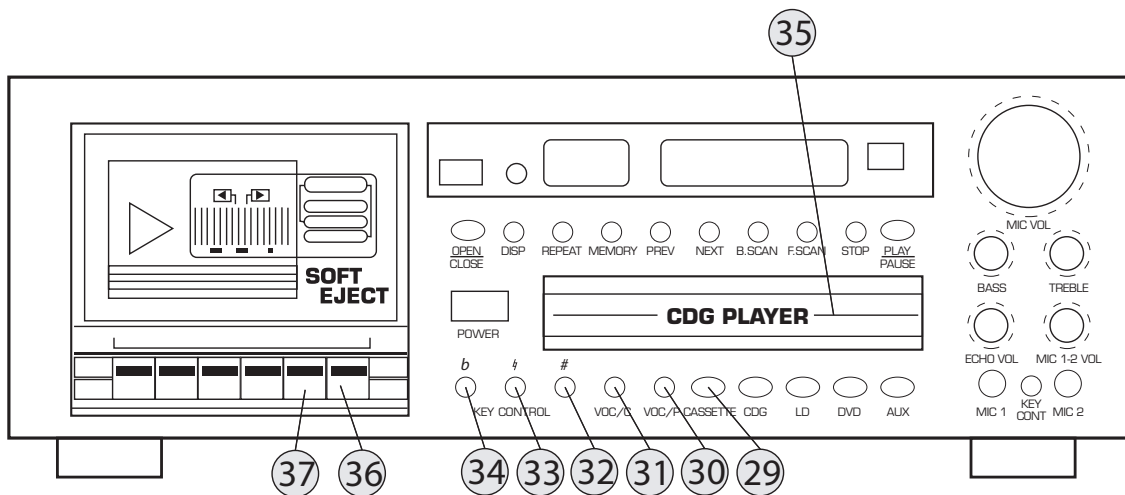
27. LD - Laser disc input selector button. Pressing this button will select the component that is connected to the "LD" input jacks. For example, if a DVD player is used with the CDG-X3P, and it is properly connected to the "LD" input jacks, this button will need to be selected before the component can be used.

28. CDG selector button - This button must be pressed when playing a CD or CDG disc in the CDG-X3P.

NOTE: This button must be pressed if you are recording from the CDG player in the CDG-X3P onto the cassette deck otherwise you will not be able to hear the CDG disc that is playing.

Front panel controls and functions cont.

Front Panel



29. CASSETTE selector button - This button must be pressed when playing a cassette in the CDG-X3P cassette deck.

NOTE: Do not press the cassette button if you are recording from the CDG player in the CDG-X3P onto the cassette deck, otherwise you will not be able to hear the CDG disc that is being played. The "CDG" button must be pressed when recording from the CDG player to the cassette deck.

30. VOC/P button - This feature is designed to work only with multi-plex karaoke discs. By pressing this key the guide or lead vocal on the multiplex disc will be removed when you are singing. When you stop singing the guide/lead vocal will again become audible, so it's like having a "vocal partner". For example, if you want to sing every other verse in a song you may do so when using this feature. The guide/lead vocal will automatically begin a second after you stop singing and become inaudible when you resume singing until the VOC/P key is pressed again.

31. VOC/C button - This feature is designed to work only with multi-plex karaoke discs. By pressing this key the guide or lead vocal on the multiplex disc will be removed throughout the entire song. To hear the guide/lead vocal press the button again.

32. SHARP KEY [#] - Press this button to raise the pitch of the song selection being played. This feature raises the pitch of the song one half-step for each time it is pressed, up to nine half-steps. The sharp button is part of the key control feature and will work with the CDG player and cassette deck. The key control feature will also work with external players when properly connected to the CDG-X3P.

Note: The key control feature will not change the tempo of the song being played.

33. NATURAL KEY [] - Press the natural button once to return the pitch of the song selection being played to its natural key or pitch. The natural button is part of the key control feature and will work with the CDG player and cassette deck. The key control feature will also work with external players when properly connected to the CDG-X3P.

Note: The key control feature will not change the tempo of the song being played.

34. FLAT KEY [b] - Press this button to lower the pitch of the song selection being played. This feature lowers the pitch of the song one half-step for each time it is pressed, to as many as nine half-steps. The flat button is part of the "key control" feature and will work with the CDG player and cassette deck. The key control feature will also work with external players when properly connected to the CDG-X3P.

Note: The key control feature will not change the tempo of the song being played.

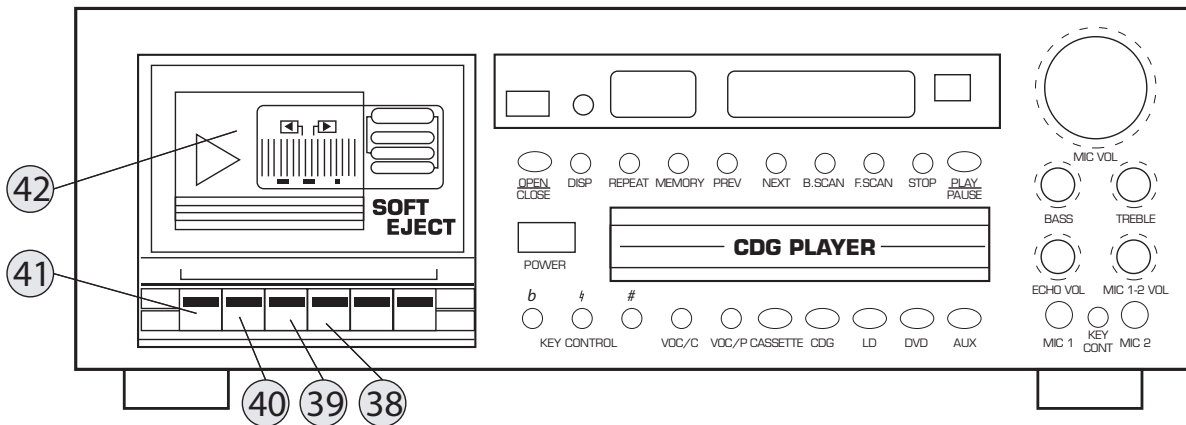
35. DISC TRAY - Press the OPEN/CLOSE button to open the DISC tray. Carefully set your CD/CDG disc onto the tray and press the OPEN/CLOSE button again to close tray. Never push or force tray closed manually.

36. PAUSE button - Press the PAUSE button once to momentarily stop the cassette tape from playing or recording. Press again to continue playing or recording.

37. STOP/EJECT button - Press this key once to stop a cassette from playing or recording, press again to eject. When the cassette door opens insert or remove the tape.

Front panel controls and functions cont.

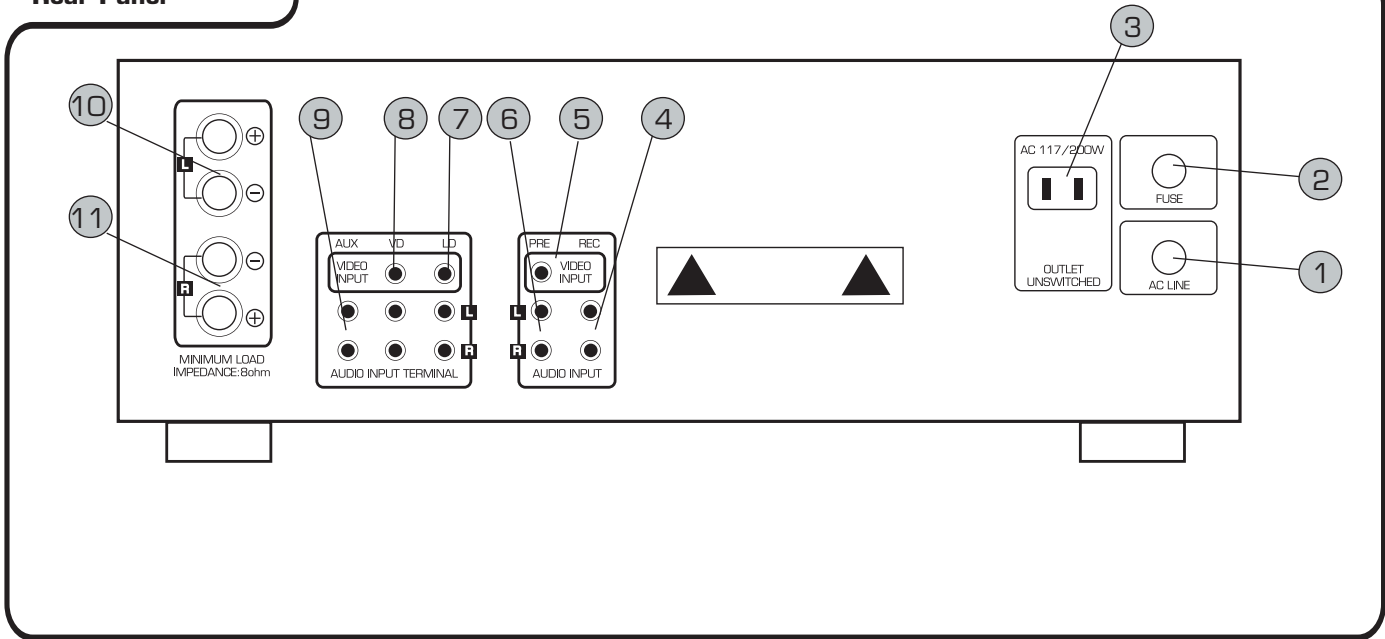
Front Panel



- 38. FAST FORWARD** button - When playing a cassette, this button can be used to advance the cassette to the next desired location. To advance the tape, press the ST/EJ (Stop/Eject) button first to stop the tape, then press F.FWD.
- 39. REWIND** button - When playing a cassette, this button can be used to rewind the cassette to the previous location. To advance the tape, press the ST/EJ (Stop/Eject) button first to stop the tape, then press F.FWD.
- 40. PLAY** button - After a cassette tape has been inserted into the cassette player, press this button to begin playing. When recording, press this button together with the REC (RECORD) button to begin recording.
- 41. RECORD** button - To record press the PLAY button and the REC button together and the cassette will begin recording.
- 42. CASSETTE DOOR** - This compartment holds a cassette tape for playing or recording. To open the cassette door, press ST/EJ (Stop/Eject) . After inserting or removing a cassette tape gently push the cassette door closed. Never force the door closed.

Rear panel controls and functions

Rear Panel



1. **AC POWER CORD** - Plugs into any AC wall outlet.
2. **FUSE - IMPORTANT!** If the fuse blows out it's a good indication that there may be a short in the system.

DO NOT REPLACE THE FUSE!

Doing so could possibly cause additional damage to the unit. Take your CDG-X3P to an authorized repair facility.

3. **117/200W AC OUTLET** - This outlet can be used to connect another component providing it does not exceed 200 watts maximum power consumption.
4. **RECORD OUT TERMINAL** - Connect to the audio input jacks of another recording device.
5. **VIDEO OUTPUT JACKS** - Connect to the video input jacks of a TV monitor.
6. **PRE-OUT TERMINAL** - Connect to the audio input jacks of an amplifier.
7. **LD INPUT JACKS** - Connect to the audio and video output jacks of a laser disc player.
8. **VD** - Connect to the audio and video output jacks of a HI-FI V.C.R.
9. **AUX INPUT JACKS** - Connect to the audio output jacks of a player.
10. **LEFT SPEAKER OUTPUT JACK:** Connect to the left speaker using a speaker cable.
Note: The jack is split into positive (+) and negative (-) output jacks but is used as one jack for the right channel only.
11. **RIGHT SPEAKER OUTPUT JACK:** Connect to the right speaker using a speaker cable.
Note: The jack is split into positive (+) and negative (-) output jacks but is used as one jack for the left channel only.

Remote control functions

Using the Remote Control

The CDG-X3P comes with a handy remote control to allow the user to operate the Karaoke functions from up to twenty-five feet from the unit. The remote control offers the user fast forward, rewind, skip, search, programmable memory, play/pause, open/close for the CD/ CDG tray and stop. The memory function can be used with the remote control to program specific song selections when using the CD/CDG player. The remote control will not work with the tape deck. Be sure not to block the infrared eye on the CDG-X3P or the sensor on the hand held remote control. If either of these parts are covered while attempting to use the remote control it will not function. All the parts on the remote control correspond to the same parts on the front panel of the CDG-X3P.

1. INFRARED REMOTE SENSOR: The sensor on the top of the hand held remote control communicates with the infrared sensor on the front panel of the CDG-X3P and should not be covered or the remote control will not work properly.

2. OPEN/CLOSE: The OPEN/CLOSE button on the hand held remote control operates the CD/CDG tray. Press once to open the CDG tray and again to close the tray.

3. DISPLAY: The display button when pressed once will show the user the remaining number of played song selections on the CD/CDG disc and the amount of time left to play them. It serves the same function as the "DISPLAY" button on the front panel of the CDG-X3P.

4. MEMORY: The MEMORY button allows the user to program song selections from the hand held remote control. To program the CDG-X3P player with the remote control the steps are the same as to program the player from the front panel of the CDG-X3P. When programming song selections, instead of pressing the memory button on the CDG-X3P, press the memory button on the remote control.

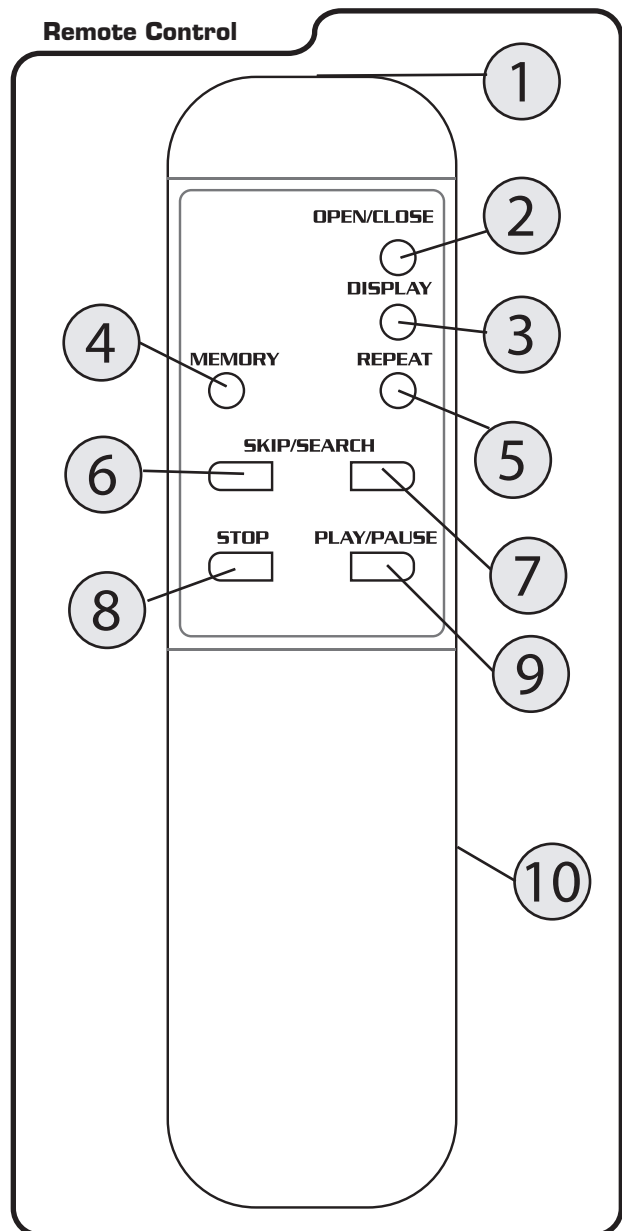
5. REPEAT: The REPEAT button on the hand held remote control allows the user to repeat one song selection or all song selections.

6. SKIP: The SKIP button on the hand held remote control allows the user to "skip" back to the previous song. When a song is playing it serves as a "rewind" button and will "SCAN" the song selection in reverse. On the front panel of the CDG-X3P it is the same as the "B-SCAN" and "PREV" buttons combined.

7. SEARCH: The SEARCH button on the hand held remote control allows the user to "skip" ahead to the next song. When a song is playing it serves as a "fast-forward" button and will "SCAN" the song selection. On the front panel of the CDG-X3P it is the same as the "F-SCAN" and "NEXT" buttons combined.

8. STOP: Stops the CD/CDG player.

Remote Control



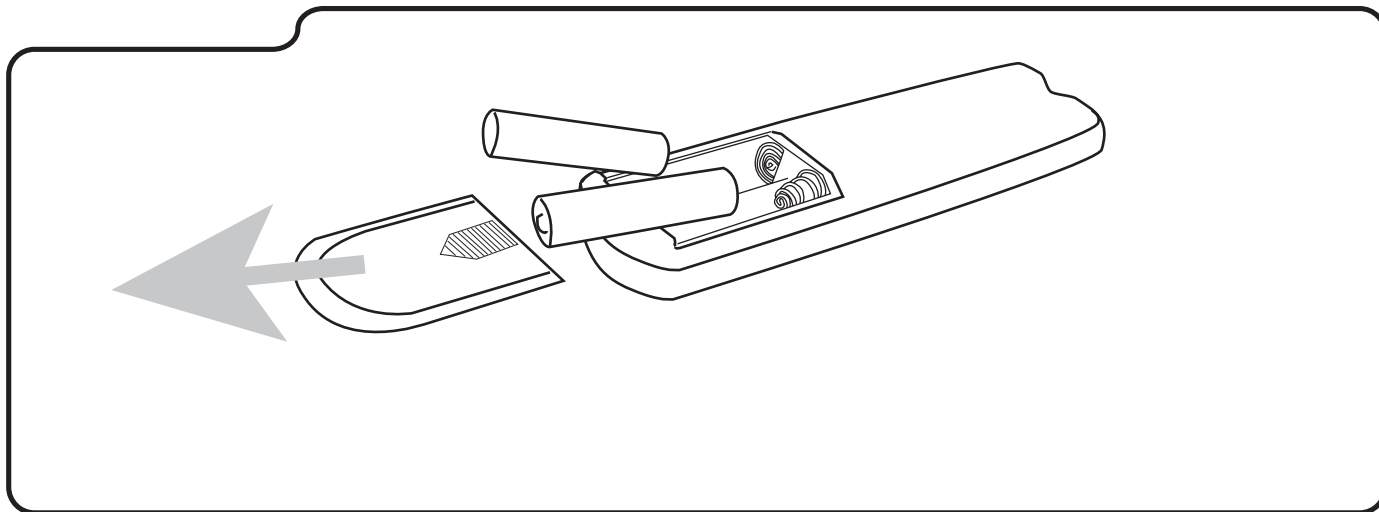
9. PLAY: Starts and pauses the CD/CDG player. Press once to start song selection and once to pause. Press again to resume playing song selection.

10. BATTERY COMPARTMENT: On the back of the hand held remote control there is a cover that slides off to expose the battery compartment. Push cover down with thumb and slide off. The hand held remote control uses two "AAA" size batteries.

Remote control operations

Installing the batteries

First remove the battery compartment lid from the back of a remote control. Insert two AAA batteries, ensuring that the polarities are aligned correctly.

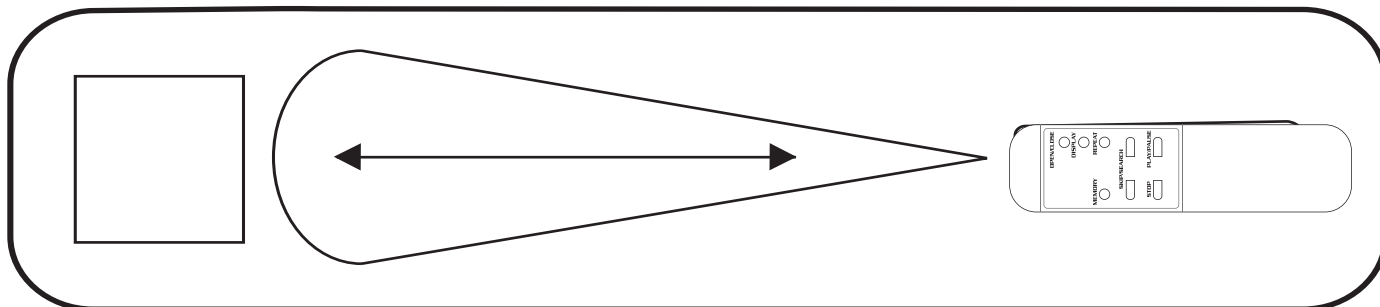


Signs that the batteries need to be changed include:

- The remote only works when held closer to the player than usual.
- The remote does not work at all.

NOTES:

- When operating the remote control, point the top of the remote control toward the player.
- Keep the line of sight between the remote control and player clear of obstacles to prevent signal deflection.
- Do not mix new and old batteries or batteries of different types together.
- Do not use rechargeable batteries with this remote.



Basic operations

Turn on the CDG-X3P

1. Locate the power switch on the front of the CDG-X3P player. Press the power switch once to turn on the machine.
2. Locate the "CDG" button below the CDG tray. This selects the mode you will use the player in.
3. Carefully increase the volume by turning the large volume knob clockwise until the desired volume is reached.
4. Carefully increase the microphone volume until desired volume is reached.

Playing CD/CDG's

1. Locate the "OPEN/CLOSE" button on the front of the CDG-X3P player.
2. Press once to open the CD tray. The tray will open automatically after the button is pressed.
3. Place the CD/CDG on the open tray and press the "OPEN/CLOSE" button again. The tray will close automatically after the button is pushed.

IMPORTANT: DO NOT PUSH THE TRAY CLOSED MANUALLY, THIS COULD DAMAGE THE UNIT.

Starting the CD Player

1. Locate the "PLAY/PAUSE" button above the CD tray.
2. Press once to start the CD. Pressing the "PLAY/PAUSE" button will play song selection #1 on the CD/CDG disc. The song will automatically begin playing after a few seconds.

To Play a Different Selection

1. Locate the "NEXT" button above the CD tray. Press the button until the desired track number appears on the LCD display window.

Note: You may hold down the button continually to advance the song selection or press consecutively. The song you stop on will automatically begin playing after a few seconds.

Fast-Forward and Reverse

1. To advance your selection while it is playing, for example to the next verse or chorus, locate the "F-SCAN" key above the CDG player and press until you find the desired location.
2. To rewind your selection while it is playing, locate the "B-SCAN" key above the CDG player and press until you find the desired location. PLEASE NOTE: When using this feature the words may become jumbled on your TV monitor. In this scenario, digital graphics information does not process as rapidly as audio signals. Therefore the video signal will have to "catch up" to the audio signal. The screen will "refresh" on it's own.

Balancing your Mix

1. It is best to begin by first setting the music volume at a comfortable level for the room in which you are using your CDG-X3P. The number of people in a room will generally have an effect on the acoustics of a room and how much volume you will need.
2. Once the desired music volume is achieved, test each microphone volume individually by speaking or singing into the microphone, holding it approximately two inches away from your mouth.
3. Adjust the volume control(s) for each microphone until an equal mix of music and vocals can be heard. Remember to allow for vocal variances in each song where it may be necessary to sing louder or softer.

Adding Bass and Treble to the Music

1. Locate the small "BASS" and "TREBLE" control knobs on the front of the CDG-X3P underneath the large "MUSIC VOL" knob.
2. To add bass tones to the music, turn the "BASS" knob clockwise until you have added the desired amount of bass tone to the music. Likewise to remove bass tone turn the knob counter clockwise.
3. To add treble tone to the music, turn the "TREBLE" knob clockwise until you have added the desired amount of treble tone to the music.

Note: A bass tone is a "low" "warm" tone. A treble tone is a "higher" and "brighter" sounding tone than a bass tone. How much is added or taken out is a matter of personal preference to the listener(s).

Operations cont.

Changing the Key of the Music

Sometimes a singer would like to sing a particular song but will find it may not be written within a key or range comfortable for the singer. In this case you can raise or lower the pitch or key of the music to make it easier to sing, both on a CD/CDG or cassette.

NOTE: When raising or lowering the key of the music the tempo will remain the same.

1. First locate the Key Control buttons on the front of the CDG-X3P player. You will find them below the "POWER" button on the face of the machine. There are three buttons under which are the words "KEY CONTROL".

There is a button for each of the following three functions.

- a. Sharp # - Used to raise the pitch or key of the music.
- b. Natural - Used to return the music to its "natural" or "original" pitch or key.
- c. Flat b - Used to lower the pitch or key of the music.

Raising or Lowering the Pitch (Key) of the Music

1. To raise the pitch or key of the music press the "sharp" (#) sign once for each $\frac{1}{2}$ step you would like the music raised.
2. To lower the pitch or key of the music press the "flat" (b) sign once for each $\frac{1}{2}$ step you would like the music lowered.
3. To return the music to its "natural" or "original" key, simply press the "natural" key button once.

NOTE: The digital display will show how many half steps a song is raised or lowered by indicating a (+) or (-) before a number to indicate raised (+) or lowered (-). It will display (+0) if the current song selection is being played in the natural key.

Using the Cassette Deck to Play or Playback

1. Locate the "CASSETTE" button under the CD tray on the front of the unit (See diagram) *NOTE: When recording, this button should be set to "CDG".*
2. Press once to change to cassette mode for playing and recording cassette tapes.
3. Locate the "ST/EJ" (Stop/Eject) button on the front of the cassette deck and press to open cassette door.
4. Insert the cassette tape with the side you want to play facing you and carefully close the cassette door, never force.
5. To rewind the cassette press the "REW" button until the tape rewinds to the desired location.
6. To advance the cassette press the "F-FWD" button until the tape advances to the desired location.
7. To stop either function locate the "STOP" button and press once. This will stop advancing, rewinding or playing the cassette tape.
8. To play the desire selection locate the "PLAY" button and press once.

NOTE: The graphics function will not work with cassette tapes.

Changing the Key of the Music Using the Cassette Deck

Follow the same instructions for changing the key or pitch with the cassette deck as for changing the key for the CD/CDG player.

See: Raising or Lowering the Pitch (Key) of the Music

Operations cont.

To Record with the Cassette Deck

You can record your voice on the cassette deck while singing with a Karaoke CD/CDG.

1. Select the "CDG" button located under the CDG tray before you start. Follow the instructions for playing a CD/CDG and select the desired "track" (song), but do not start your song selection yet. Press the "PLAY / PAUSE" key until the word "PAUSE" appears in the display window.
2. Be sure the blank cassette tape is placed in the cassette deck and the cassette door closed.
3. Set the Tape counter to zero by pushing the "RESET" button located next to the "COUNTER" on the front of the unit. This will help you keep track of your place on the tape if you are recording multiple songs but not starting from the beginning of the tape.

Note: If you have rewound the cassette tape all the way to the beginning note that there are a few seconds of "leader" tape at each end of the cassette on which you can not record.

4. Locate the "REC" and "PLAY" keys of the cassette deck and press them simultaneously until they stay in the down position.

Note: The "REC" key has a red line on the top instead of a white line.

5. View the advancing cassette through the cassette door window and let tape run until it has passed the "leader" tape. If it is not visible, allow approximately 10 seconds to let the tape "roll" then locate and press the "PAUSE" key. This will stop the cassette from advancing but it will still be in the "record" mode. Leave the "PAUSE" button pressed.
6. Begin your CD/CDG song selection making sure your volume and echo controls are adjusted to your liking.
7. At the same time, release the "PAUSE" key and the tape will start "rolling". Your selection and voice is now being recorded.

Note: Be careful not to "thump" the microphone while holding it or while singing. This will create noise that will be noticeable on your recording. Tip: When recording be careful not to "pop" the microphone. This means when singing be aware of the "plosive" consonants like "P" and "T". Excessive breath on these consonants will create an undesirable "pop" sound on your recording.

To Record Another Song

When you have finished recording you can record another selection without repeating step 3 in "To Record with the Cassette Deck" or "wasting" tape between songs.

1. When your song has finished recording press the "PAUSE" key on the cassette deck. This will stop the tape from recording but it will still be in record mode.
2. When you are ready to begin your next song selection release the "PAUSE" key and the tape will begin recording.
3. Press "ST/EJ" (Stop/Eject) OR "PAUSE" when finished recording, depending on whether you want stop or record again.

To Listen to your Recording

1. When you have finished recording stop the tape by pressing the "ST/EJ" (Stop/Eject) key.
 2. Rewind the tape by pressing the "REW" key until the tape stops at the desired location.
 3. Select the "CASSETTE" button located below the CDG player to switch to cassette mode.
- Note: This button should be set to CDG when recording from CDG to cassette.*
4. Start the tape playback by pressing the "PLAY" key on the cassette deck.
 5. Adjust the master volume control to the desired listening level.

Reminder: If you set the tape counter to zero before you start recording you can more easily keep track of your location on the tape.

AC Outlet

The AC outlet can be used to connect an additional component up to 200W maximum.

Fuse

IMPORTANT! IF THE FUSE BLOWS OUT IT IS AN IMPORTANT INDICATION THERE MAY BE A SHORT SOMEWHERE IN THE SYSTEM. DO NOT REPLACE THE FUSE! TAKE YOUR CDG-X3P TO AN AUTHORIZED REPAIR FACILITY. REPLACING THE FUSE COULD POSSIBLY CAUSE ADDITIONAL DAMAGE THAT MAY NOT BE COVERED BY THE WARRANTY.

Troubleshooting

Problem	Possible Cause	Solutions
No video signal. Words don't appear on the TV monitor.	The television may not be switched to the proper video input channel.	<p>Be sure the television is set to the "VIDEO" mode (see your television's owners manual).</p> <p>Be sure the "VIDEO OUTPUT" jack (See PARTS AND FUNCTIONS diagram) on the rear panel of the CDG-X3P is connected to the "VIDEO INPUT" section of the TV monitor.</p>
Unable to connect the CDG-X3P to my television monitor with the "RCA" cable provided.	Not all televisions/monitors have "RCA" connector jacks.	You will need an " RF Modulator ", or VCR . (See diagram for "CONNECTING A TELEVISION MONITOR". There are three options for connecting televisions without video input jacks.
There is a loud "squealing" noise coming from speakers.	This noise is called "feedback". Feedback occurs for various reasons. For example, feedback can occur if the microphone is held too closely to, or pointed directly at, the speakers. Feedback can also occur if the microphone volume is too high or there is too much treble frequency being used.	<p>Turn down the microphone volume.</p> <p>Turn down the treble control.</p> <p>Hold the microphone away from the speakers.</p>

VocoPro[®]

THE SINGER'S ULTIMATE CHOICE[™]



© VOCOPRO 2006
Version 1.0
www.vocopro.com

Free Manuals Download Website

<http://myh66.com>

<http://usermanuals.us>

<http://www.somanuals.com>

<http://www.4manuals.cc>

<http://www.manual-lib.com>

<http://www.404manual.com>

<http://www.luxmanual.com>

<http://aubethermostatmanual.com>

Golf course search by state

<http://golfingnear.com>

Email search by domain

<http://emailbydomain.com>

Auto manuals search

<http://auto.somanuals.com>

TV manuals search

<http://tv.somanuals.com>