

VocoPro[®]
THE SINGERS ULTIMATE CHOICE[™]

HP-200

PRO MONITORING HEADPHONE

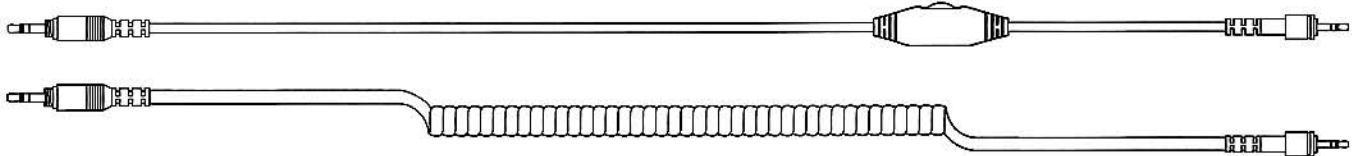


Features

- Full-sized stereo headset with 2000mW handling capacity
- 50mm driver features punchy bass range and super-clear sound
- Great mixing and monitoring headset for DJs, KJs and other audio lovers
- Stylish and flexible construction looks great, wears comfortable and withstands heavy usage
- 90° rotating earlaps available let you use the headphones while operating a mixer
- Foldable design lets you take it anywhere
- Sealed headphones reduce outside sound interference
- Cushioned earpads provide extra comfort
- Detachable spring cable (approx. 13')
- Includes additional cable with volume dial
- Gold 1/8" to 1/4" adapter included

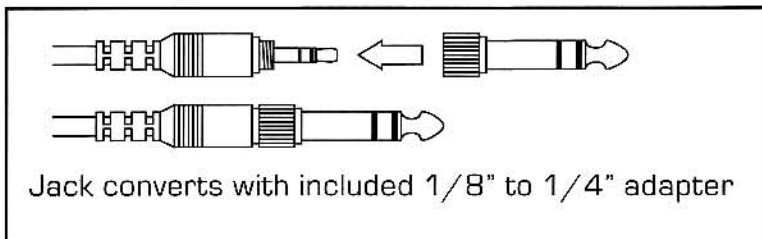
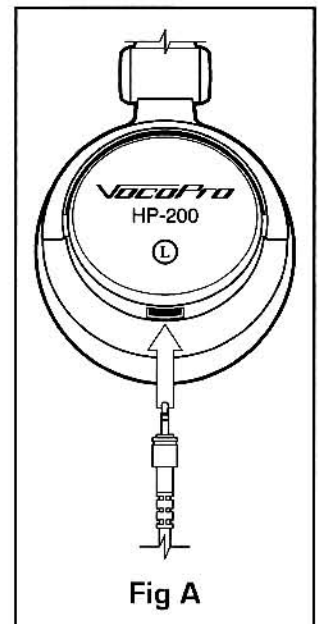
Package Contents

- 1 HP-200 headset
- 1 detachable spring cable
- 1 detachable volume-control cable



Using the HP-200 Headphones

1. Make sure the cord is attached securely to the headphones (Fig A)
2. Connect the 3.5mm end to a headphone jack on a player, mixer, etc.
NOTE: For your safety and the safety of the headphones, only use a jack specifically designed for headphone use
3. Adjust the headset to fit securely on your head



Specifications

Type	Dynamic
Driver Diameter	50mm
Impedance.....	45 Ω
Sensitivity.....	102dB
Frequency Response	20Hz-20kHz
Power Handling Capability	2000mW
Cable	4mm x 1.2m (approx. 4')
Spring Cable full stretch length	approx. 13'
Adaptor Plug.....	Stereo 3.5mm + 6.3mm

Free Manuals Download Website

<http://myh66.com>

<http://usermanuals.us>

<http://www.somanuals.com>

<http://www.4manuals.cc>

<http://www.manual-lib.com>

<http://www.404manual.com>

<http://www.luxmanual.com>

<http://aubethermostatmanual.com>

Golf course search by state

<http://golfingnear.com>

Email search by domain

<http://emailbydomain.com>

Auto manuals search

<http://auto.somanuals.com>

TV manuals search

<http://tv.somanuals.com>