

2006 VOLVO V70

VOLVO
for life



2006

This manual deals with the operation and care of your Volvo.

Welcome to the worldwide family of Volvo owners. We trust that you will enjoy many years of safe driving in your Volvo, an automobile designed with your safety and comfort in mind. To help ensure your satisfaction with this vehicle, we encourage you to familiarize yourself with the equipment descriptions, operating instructions and maintenance requirements/ recommendations in this manual. We also urge you and your passengers to wear seat belts at all times in this or any other automobile. And, of course, please do not operate a vehicle if you may be affected by alcohol, medication or any impairment that could hinder your ability to drive.

Your Volvo is designed to meet all applicable safety and emission standards, as evidenced by the certification labels attached to the driver's door opening and on the left wheel housing in the engine compartment

For further information please contact your retailer, or:

In the USA:

Volvo Cars of North America

Customer Care Center

P.O. Box 914

Rockleigh, New Jersey 07647-0914

800-458-1552

In Canada:

Volvo Cars of Canada Ltd.

National Customer Service

175 Gordon Baker Road

North York, Ontario M2H
2N7

800-663-8255

<http://www.volvocars.com>

Contents

Contents

[Chapter 1 - Safety](#)

[Chapter 2 - Instruments, switches and controls](#)

[Chapter 3 - Climate control system](#)

[Chapter 4 - Interior](#)

[Chapter 5 - Keys, Locks, Alarm](#)

[Chapter 6 - Starting and driving](#)

[Chapter 7 - Wheels and tires](#)

[Chapter 8 - Maintenance/Serviceing](#)

[Chapter 9 - Specifications](#)

[Chapter 10 - Audio systems](#)

[HomeLink® Universal Transceiver \(option\)](#)

[Index](#)

[Back Cover](#)

General information

Shiftlock

When your car is parked, the gear selector is locked in the (P)ark position. To release the selector from this position, turn the ignition key to position II (or start the engine), depress the brake pedal, press the button on the front of the gear selector knob and move the selector from (P)ark.

Keylock

This means that when you switch off the ignition, the gear selector must be in the (P)ark position before the key can be removed from the ignition switch.

Anti-lock Brake System (ABS)

The ABS system in your car performs a self-diagnostic test when the vehicle first reaches the speed of approximately 12 mph (20 km/h). The brake pedal will pulsate several times and a sound may be audible from the ABS control module. This is normal.

Fuel filler door

Press the button on the light switch panel (see [page 37](#)) when the car is at a standstill to unlock the fuel filler door. Please note that the fuel filler door will remain unlocked until the car begins to move forward. An audible click will be heard when the fuel filler door relocks.

Fuel filler cap

After refueling, close the fuel filler cap by turning it clockwise until it *clicks* into place. If this cap is not closed tightly or if the engine is running when the car is refueled, the Malfunction Indicator Lamp ("Check Engine" light) may indicate a fault.

WARNING! If your vehicle is involved in an accident, unseen damage may affect your vehicle's driveability and safety.

Important

Before you operate your car for the first time, please familiarize yourself with the new-engine oil consumption information on [page 159](#). You should also be familiar with the information in chapters one, two and four of this manual.

Information contained in the balance of the manual is extremely useful and should be read after operating the vehicle for the first time.

The manual is structured so that it can be used for reference. For this reason, it should be kept in the car for ready access. Do not export your Volvo to another country before investigating that country's applicable safety and exhaust emission requirements. In some cases it may be difficult or impossible to comply with these requirements. Modifications to the emission control system(s) may render your Volvo not certifiable for legal operation in the U.S., Canada and other countries.

All information, illustrations and specifications contained in this manual are based on the latest product information available at the time of publication. Please note that some vehicles may be equipped differently, depending on special legal requirements and that optional equipment described in this manual may not be available in all markets.

Volvo reserves the right to make model changes at any time, or to change specifications or design, without notice and without incurring obligation.

CALIFORNIA Proposition 65 Warning

WARNING! Engine exhaust, some of its constituents, and certain vehicle components contain or emit chemicals known to the state of California to cause cancer, and birth defects or other reproductive harm. In addition, certain fluids contained in vehicles and certain products of component wear contain or emit chemicals known to the State of California to cause cancer, and birth defects or other reproductive harm.

Volvo and the environment

Volvo is committed to the well being of our customers. As a natural part of this commitment, we care about the environment in which we all live. Caring for the environment means an everyday involvement in reducing our environmental impact.

Volvo's environmental activities are based on a holistic view, which means we consider the overall environmental impact of a product throughout its complete life cycle. In this context, design, production, product use, and recycling are all important considerations. In production, Volvo has partly or completely phased out several chemicals including freons, lead chromates, naphtanates, asbestos, mercury and cadmium; and reduced the amount of chemicals used in our plants 50% since 1991.

In use, Volvo was the first in the world to introduce into production a three-way catalytic converter with a Lambda sond, now called oxygen sensor, in 1976. The current version of this highly efficient system reduces emissions of harmful substances (CO, HC, NOx) from the exhaust pipe by approximately 95% and the search to eliminate the remaining emissions continues. Volvo is the only automobile

manufacturer to offer CFC-free retrofit kits for the air conditioning system for all models as far back as the M/Y 1975 240. Advanced electronic engine controls, refined purification systems and cleaner fuels are bringing us closer to our goal.

After Volvo cars and parts have fulfilled their use, recycling is the next critical step in completing the life cycle. The metal content is about 75% of the total weight of a car, which makes the car among the most recycled industrial products. In order to have efficient and well controlled recycling, many Volvo variants have printed dismantling manuals, indicating the weight and material of individual components. For Volvo, all homogeneous plastic parts weighing more than 1.7 oz. (50 grams) are marked with international symbols that indicate how the component is to be sorted for recycling.

In addition to continuous environmental refinement of conventional gasoline-powered internal combustion engines, Volvo is actively looking at advanced technology alternative-fuel vehicles. When you drive a Volvo, you become our partner in the work to lessen the car's impact on the environment.

To reduce your vehicle's environmental impact, you can:

- Maintain proper air pressure in your tires. Tests have shown decreased fuel economy with improperly inflated tires
- Follow the recommended maintenance schedule in your Warranty and Service Records Information booklet.
- Drive at a constant speed
- See an authorized Volvo retailer as soon as possible for inspection if the check engine (malfunction indicator) lamp illuminates, or stays on after the vehicle has started
- Properly dispose of any vehicle related waste such as used motor oil, used batteries, brake pads, etc.
- When cleaning your car, use Volvo's own car care products, all of which have systematically been adapted to the environment

PremAir®

On the surface of the radiator in the engine compartment, there is a special coating called PremAir®. PremAir® works as a catalytic converter, converting most of the ozone passing through the radiator into oxygen, thereby reducing harmful ground-level ozone. PremAir is a registered trademark of Engelhard Corporation.



[Top of Page](#)

2006 VOLVO V70

Chapter 1 - Safety

pg. 1 Safety

<u>Occupant safety</u>	<u>2</u>
<u>Seat belts</u>	<u>3</u>
<u>Supplemental Restraint System (SRS)</u>	<u>5</u>
<u>Front airbags</u>	<u>6</u>
<u>Occupant weight sensor (OWS)</u>	<u>9</u>
<u>Side impact (SIPS) airbags</u>	<u>12</u>
<u>Volvo Inflatable Curtain (VIC)</u>	<u>13</u>
<u>Inspecting SRS system components</u>	<u>14</u>
<u>Whiplash Protection System (WHIPS)</u>	<u>15</u>
<u>Child safety</u>	<u>17</u>

pg. 2 Seat belts

Volvo Concern for Safety

Safety is the Volvo cornerstone. Our concern dates back to 1927 when the first Volvo rolled off the production line. Three-point seat belts (a Volvo invention), safety cages, and energy-absorbing impact zones were designed into Volvo cars long before it was fashionable or required by government regulation. We will not compromise our commitment to safety. We continue to seek out new safety

features and to refine those already in our cars. You can help. We would appreciate hearing your suggestions about improving automobile safety. We also want to know if you ever have a safety concern with your car. Call us in the U.S. at: 800-458-1552 or in Canada at: 800-663-8255.

Occupant safety

How safely you drive doesn't depend on how old you are but rather on:

- How well you see.
- Your ability to concentrate.
- How quickly you make decisions under stress to avoid an accident.

The tips listed below are suggestions to help you cope with the ever changing traffic environment.

- Never drink and drive.
- If you are taking any medication, consult your physician about its potential effects on your driving abilities.
- Take a driver-retraining course
- Have your eyes checked regularly
- Keep your windshield and headlights clean.
- Replace wiper blades when they start to leave streaks.
- Take into account the traffic, road, and weather conditions, particularly with regard to stopping distance.

Reporting Safety Defects in the U.S.

If you believe that your vehicle has a defect which could cause a crash or could cause injury or death, you should immediately inform the National Highway Traffic Safety Administration (NHTSA) in addition to notifying Volvo Cars of North America. If NHTSA receives similar complaints, it may open an investigation, and if it finds that a safety defect exists in a group of vehicles, it may order a recall and remedy campaign. However, NHTSA cannot become involved in individual problems between you, your retailer, or Volvo Cars of North America. To contact NHTSA, you may either call the Auto Safety Hotline toll-free at 1-800-424-9393 (or 202-366-0123 in Washington, D.C. area) or write to: NHTSA, U. S. Department of Transportation, Washington D.C. 20590. You can also obtain other information about motor vehicle safety from the Hotline. Volvo strongly recommends that if your vehicle is covered under a service campaign, safety or emission recall or similar action, it should be completed as soon as possible. Please check with your local retailer or Volvo Cars of North America, LLC. if your vehicle is covered under these conditions.

NHTSA can be reached at:

Internet : <http://www.nhtsa.dot.gov>

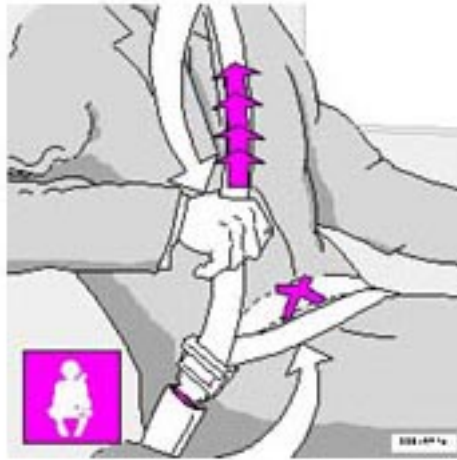
Telephone:

1-888-DASH-2-DOT (1-888-327-4236) (toll free)

1-800-424-9393 (toll free)

1-202-366-0123 (in Washington DC area)

pg. 3 Seat belts

*Adjusting the seat belt***Using seat belts**

Volvo, the inventor of the three-point seat belt, urges you and all occupants of your vehicle to wear seat belts and ensure that children are properly restrained, using an infant, car, or booster seat determined by age, weight and height.

Volvo also believes no child should sit in the front seat of a vehicle. Most states and provinces make it mandatory for occupants of a vehicle to use seat belts.

Seat belt tensioners

The seat belts are equipped with tensioners that reduce slack in the belts. These tensioners are triggered in situations where the airbags deploy. The front seat belts also include a tension reducing device which, in the event of a collision, limits the peak forces exerted by the seat belt on the occupant.

Buckling a seat belt

Pull the belt out far enough to insert the latch plate into the receptacle until a distinct click is heard. The seat belt retractor is normally "unlocked" and you can move freely, provided that the shoulder belt is not pulled out too far. The retractor will lock up as follows:

- if the belt is pulled out rapidly
- during braking and acceleration
- if the vehicle is leaning excessively
- when driving in turns

When wearing the seat belt remember:

- The belt should not be twisted or turned.
- The lap section of the belt must be positioned low on the hips (not pressing against the abdomen).

- Make sure that the shoulder belt is rolled up into its retractor and that the shoulder and lap belts are taut.

Unbuckling the seat belt

To remove the seat belt, press the red section on the seat belt receptacle. Before exiting the vehicle, check that the seat belt retracts fully after being unbuckled. If necessary, guide the belt back into the retractor slot.

Seat belt reminder

The seat belt reminder consists of an audible signal, an indicator light above the rearview mirror, and a symbol in the instrument panel that alert the driver and front seat passenger if their seat belts are not fastened.



Sample label on all seat belts with tensioners

Seat belt maintenance

Check periodically that the seat belts are in good condition. Use water and a mild detergent for cleaning. Check seat belt mechanism function as follows: attach the seat belt and pull rapidly on the strap.

WARNING!

- Never use a seat belt for more than one occupant.
- Never wear the shoulder portion of the belt under the arm, behind the back or otherwise out of position. Such use could cause injury in the event of an accident.
- Seat belts lose much of their strength when exposed to violent stretching and should be replaced after any collision, even if they appear to be undamaged.
- Never repair the belt yourself; have this work done by an authorized Volvo service technician only.
- Any device used to induce slack into the shoulder belt portion of the three-point belt system will have a detrimental effect on the amount of protection available to you in the event of a collision.
- The seat back should not be tilted too far back. The shoulder belt must be taut in order to function properly.
- Do not use child safety seats or child booster cushions/backrests in the front passenger's seat. We also recommend that children who have outgrown these devices sit in the rear seat with the seat belt properly fastened.



Seat belt use during pregnancy

Seat belt use during pregnancy

The seat belt should always be worn during pregnancy. But it is crucial that it be worn in the correct way. The diagonal section should wrap over the shoulder then be routed between the breasts and to the side of the belly. The lap section should lay flat over the thighs and as low as possible under the belly. It must never be allowed to ride upward. Remove all slack from the belt and insure that it fits close to the body without any twists. As a pregnancy progresses, pregnant drivers should adjust their seats and steering wheel such that they can easily maintain control of the vehicle as they drive (which means they must be able to easily operate the foot pedals and steering wheel). Within this context, they should strive to position the seat with as large a distance as possible between their belly and the steering wheel.

Child seats

Please refer to [page 21](#) for information on securing child seats with the seat belts.


pg. 5 Supplemental Restraint System (SRS)



SRS warning light

Supplemental Restraint System

As an enhancement to the three-point seat belts, your Volvo is equipped with a Supplemental Restraint System (SRS). Volvo's SRS consists of seat belt tensioners, front airbags, side impact airbags, the occupant weight sensor, and inflatable curtains. All of these systems are monitored by the SRS control module. An SRS warning light in the instrument panel (see the illustration above) illuminates when the ignition key is turned to position I, II, or III, and will normally go out after approximately 7 seconds if no faults are detected in the system.

Where applicable, a text message will also be displayed when the SRS warning light illuminates. If this warning symbol is not functioning properly, the general warning symbol  illuminates and a text message will be displayed.

WARNING!

- If the SRS warning light stays on after the engine has started or if it illuminates while you are driving, have the vehicle inspected by a trained and qualified Volvo service technician as soon as possible.
- Never try to repair any component or part of the SRS yourself. Any interference in the system could cause malfunction and serious injury. All work on these systems should be performed by an authorized Volvo service technician.

WARNING!

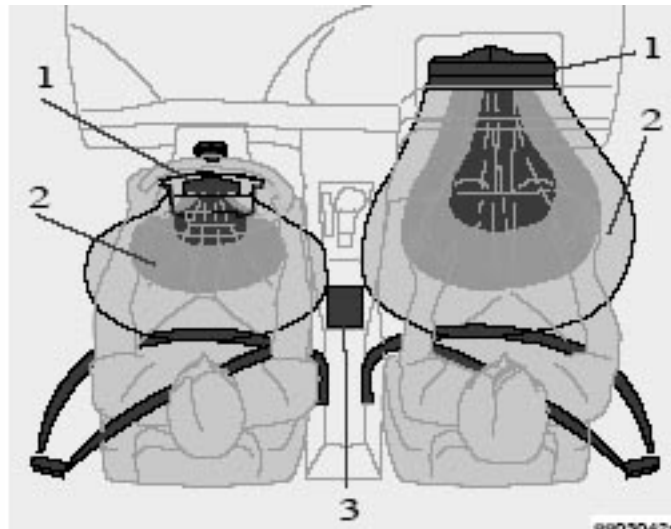
If your vehicle has been subjected to flood conditions (e.g. soaked carpeting/standing water on the floor of the vehicle) or if your vehicle has become flood-damaged in any way, do not attempt to start the vehicle or put the key in the ignition before disconnecting the battery (see below). This may cause airbag deployment which could result in personal injury. Have the vehicle towed to a trained and qualified Volvo service technician for repairs.

Automatic transmission:

Before attempting to tow the vehicle, use the following procedure to override the shiftlock system to move the gear selector to the neutral position:

- Switch off the ignition for at least 10 minutes and disconnect the battery
- Wait at least one minute.
- Insert the key in the ignition and turn it to position II.
- Press firmly on the brake pedal.
- Move the gear selector from (P)ark to the (N)eutral position.

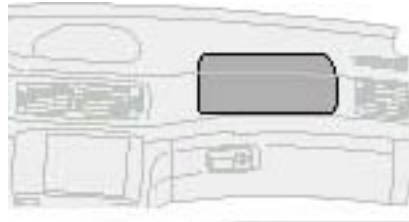
pg. 6 Front airbags

**The front airbag system**

The front airbags supplement the three-point seat belts. For these airbags to provide the protection intended, seat belts must be worn at all times.

The front airbag system includes gas generators (1) surrounded by the airbags (2) and a deceleration sensor (3) that activates the gas generators, causing the airbags to be inflated with nitrogen gas.

As the movement of the seats' occupants compresses the airbags, some of the gas is expelled at a controlled rate to provide better cushioning. Both seat belt tensioners also deploy, minimizing seat belt slack. The entire process, including inflation and deflation of the airbags, takes approximately one fifth of a second.



*Passenger's side airbag - above
glove compartment*

The location of the front airbags is indicated by "SRS AIRBAG" embossed on the steering wheel pad and above the glove compartment, and by decals on both sun visors and on the front and far right side of the dash.

- The driver's side front airbag is folded and located in the steering wheel hub.
- The passenger's side front airbag is folded behind a panel located above the glove compartment.

WARNING!

- The airbags in the vehicle are designed to be a **SUPPLEMENT** to-not a replacement for-the three-point seat belts. For maximum protection, wear seat belts at all times. Be aware that no system can prevent all possible injuries that may occur in an accident.
- Never drive a vehicle with a steering wheel-mounted airbag with your hands on the steering wheel pad/airbag housing.
- The front airbags are designed to help prevent serious injury. Deployment occurs very quickly and with considerable force. During normal deployment and depending on variables such as seating position, one may experience abrasions, bruises, swellings, or other injuries as a result from deployment of one or both of the airbags.
- When installing any accessory equipment, make sure that the front airbag system is not damaged. Any interference in the system could cause malfunction.

Front airbag deployment

- The front airbags are designed to deploy during certain frontal or front-angular collisions, impacts, or decelerations, depending on the crash severity, angle, speed and object impacted. The airbags may also deploy in certain non-frontal collisions where rapid deceleration occurs.

- The SRS sensors, which trigger the front airbags, are designed to react to both the impact of the collision and the inertial forces generated by it, and to determine if the intensity of the collision is sufficient for the seat belt tensioners and/or airbags to be deployed.

However, not all frontal collisions activate the front airbags.

- If the collision involves a nonrigid object (e.g., a snow drift or bush), or a rigid, fixed object at a low speed, the front airbags will not necessarily deploy.
- Front airbags do not normally deploy in a side impact collision, in a collision from the rear or in a rollover situation.
- The amount of damage to the bodywork does not reliably indicate if the airbags should have deployed or not.

NOTE:

- Deployment of front airbags occurs only one time during an accident. In a collision where deployment occurs, the airbags and seat belt tensioners activate. Some noise occurs and a small amount of powder is released. The release of the powder may appear as smoke-like matter. This is a normal characteristic and does not indicate fire.
- Volvo's dual-threshold, dual-stage front airbags use special sensors to control deployment. The point at which the airbag deploys is determined by whether or not the seat belt is being used, as well as the severity of the collision.
- Collisions can occur where only one of the airbags deploys. If the impact is less severe, but severe enough to present a clear injury risk, the dual-stage airbags are triggered at 70-80% of their total capacity. If the impact is more severe, the dual-stage airbags are triggered at full capacity.

Should you have questions about any component in the SRS system, please contact a trained and qualified Volvo service technician or Volvo Customer Support:

In the USA:

Volvo Cars of North America
Customer Care Center
P.O. Box 914
Rockleigh, New Jersey 07647-0914
800-458-1552
<http://www.volvocars.us>

In Canada:

Volvo Cars of Canada Ltd.
National Customer Service
175 Gordon Baker Road
North York, Ontario M2H 2N7
800-663-8255
<http://www.volvocanada.com>

WARNING!

- Do not use child safety seats or child booster cushions/backrests in the front passenger's seat. We also recommend that occupants under 4 feet 7 inches (140 cm) in height who have outgrown these devices sit in the rear seat with the seat belt fastened¹.
- Never drive with the airbags deployed. The fact that they hang out can impair the steering of your vehicle. Other safety systems can also be damaged.
- The smoke and dust formed when the airbags are deployed can cause skin and eye irritation in the event of prolonged exposure.

¹ See also the Occupant Weight Sensor information on [page 11](#).

pg. 8 Front airbags



Airbag decal on outside of both sun visors



SRS decal at far right of the passenger's dashboard

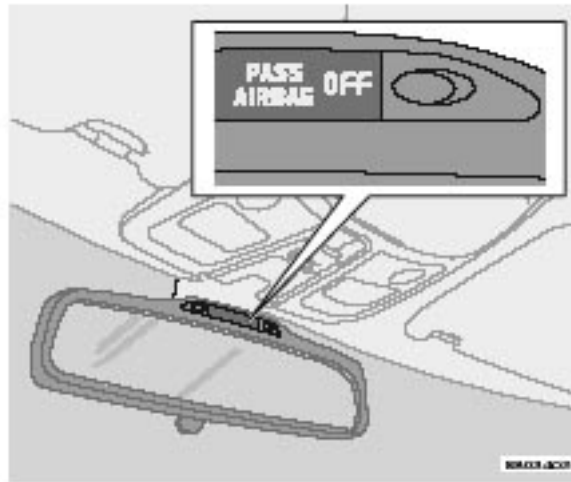
**WARNING!**

- Children must never be allowed in the front passenger's seat. Volvo recommends that ALL occupants (adults and children) shorter than 4 feet 7 inches (140 cm) be seated in the back seat of any vehicle with a passenger-side front airbag. See [page 21](#) for guidelines.
- Occupants in the front passenger's seat must never sit on the edge of the seat, sit leaning toward the instrument panel or otherwise sit out of position.
- The occupant's back must be as upright as comfort allows and be against the seat back with the seat belt properly fastened.
- Feet must be on the floor, e.g., not on the dash, seat or out of the window.

WARNING!

- No objects or accessory equipment, e.g. dashboard covers, may be placed on, attached to, or installed near the air bag hatch (the area above the glove compartment) or the area affected by airbag deployment (see the illustration on [page 6](#)).
- There should be no loose articles, e.g. coffee cups, on the floor, seat, or dashboard area.
- Never try to open the airbag cover on the steering wheel or the passenger's side dashboard. This should only be done by a trained and qualified Volvo service technician.

Failure to follow these instructions can result in injury to the vehicle occupants.



Occupant Weight Sensor (OWS) indicator light

Disabling the passenger's side front airbag

Volvo recommends that ALL occupants (adults and children) shorter than four feet seven inches (140 cm) be seated in the back seat of any vehicle with a front passenger side airbag, and be properly restrained for their size and weight. See also the child safety recommendations on [page 21](#).

The passenger's side front airbag is automatically enabled/disabled by the Occupant Weight Sensor (OWS), a system that monitors the weight of the person or object in the front passenger's seat. The system consists of a silicone-filled bag located under the padding in the front passenger's seat cushion, a control module located under this seat, and a seat belt tension sensor, located on the outboard side of the seat.

The OWS system continuously monitors the pressure on the front passenger's seat cushion and the tension applied to the seat belt. Based on this data, OWS assesses the weight of the occupant or object in the front passenger's seat. This information is transmitted to the SRS system control module, which enables or disables the passenger's side front airbag accordingly, as indicated in the table below.

If the system is functioning normally, the status of the front passenger's side airbag (enabled/disabled) will be shown by the OWS indicator light as explained in the table to the right. The OWS indicator light is separate and in addition to the SRS warning light in the instrument panel.

NOTE: When the ignition is switched on, the OWS indicator light will go on for up to 10 seconds while the system performs a self-diagnostic test and then go out.

However, if a fault is detected in the system:

- The OWS indicator light will stay on
- The SRS warning light (see [page 5](#)) will come on and stay on
- The message PASS. AIRBAG OFF SERVICE URGENT will be displayed in the information display.

Passenger's Seat occupancy status	OWS Indicator light status	Passenger's side front airbag status
Seat unoccupied/ person or object weighing less than approx. 15 lbs (7 kg) on seat	OWS indicator light PASS AIRBAG OFF is not lit	Passenger's side front airbag disabled
Seat occupied by a person or object weighing up to approx. 55-65 lbs (25-30 kg)	OWS indicator light PASS AIRBAG OFF lights up	Passenger's side front airbag disabled
Seat occupied by a person or object weighing more than approx. 55-65 lbs (25-30 kg)	OWS indicator light PASS AIRBAG OFF is not lit	Passenger's side front airbag enabled

(contd. on following page)

pg. 10 Occupant Weight Sensor (OWS)

WARNING!

If a fault in the system is detected and indicated as explained on the previous page, be aware that the passenger's side front airbag will not deploy in the event of a collision.

In this case, the safety systems and Occupant Weight Sensor should be inspected by an authorized Volvo retailer as soon as possible.

Modifications

If you are considering modifying your vehicle in any way to accommodate a disability, for example by altering or adapting the driver's or front passenger's seat(s) and/or airbag systems, please contact Volvo at:

In the USA:

Volvo Cars of North America
Customer Care Center
P.O. Box 914
Rockleigh, New Jersey 07647-0914
800-458-1552

In Canada:

Volvo Cars of Canada Ltd.
National Customer Service
175 Gordon Baker Road
North York, Ontario M2H 2N7
800-663-8255

WARNING!

- No objects that add to the total weight on the seat should be placed on the front passenger's seat. If a child is seated in the front passenger's seat with any additional weight, this extra weight could cause the OWS system to enable the airbag, which might cause it to deploy in the event of a collision, thereby injuring the child.
- The seat belt should never be wrapped around an object on the front passenger's seat. This could interfere with the OWS system's function.
- The front passenger's seat belt should never be used in a way that exerts more pressure on the passenger than normal. This could increase the pressure exerted on the weight sensor by a child, and could result in the airbag being enabled, which might cause it to deploy in the event of a collision, thereby injuring the child.

WARNING!

- Never try to open, remove, or repair any components in the OWS system. This could result in system malfunction. Maintenance or repairs should only be carried out by an authorized Volvo service technician.
- The front passenger's seat should not be modified in any way. This could reduce pressure on the seat cushion, which might interfere with the OWS system's function.

pg. 11 Occupant Weight Sensor (OWS)

WARNING!

Keep the following points in mind with respect to the OWS system. Failure to follow these instructions could adversely affect the system's function and result in serious injury to the occupant of the front passenger's seat:

- The full weight of the front seat passenger should always be on the seat cushion. The passenger should never lift him/herself off the seat cushion using the armrest in the door or the center console, by pressing the feet on the floor, by sitting on the edge of the seat cushion, or by pressing against the backrest in a way that reduces pressure on the seat cushion. This could cause OWS to disable the front passenger's side airbag.
- Do not place any type of object on the front passenger's seat in such a way that jamming, pressing, or squeezing occurs between the object and the front seat, other than as a direct result of the correct use of the ALR/ELR seat belt (see [page 21](#)).
- No objects should be placed under the front passenger's seat. This could interfere with the OWS system's function.

pg. 12 Side impact (SIPS) airbags

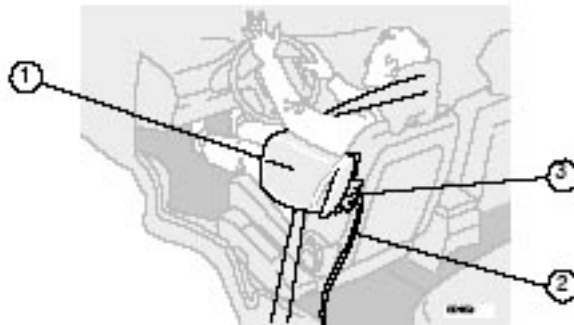


Location of the side impact (SIPS) airbag

Side impact airbags - front seats only

As an enhancement to the structural side impact protection built into your car, the car is also equipped with Side Impact Protection System (SIPS) airbags.

The SIPS airbag system is designed to help increase occupant protection in the event of certain side impact collisions. The SIPS airbags are designed to deploy only during certain side-impact collisions, depending on the crash severity, angle, speed and point of impact.



NOTE: SIPS airbag deployment (one airbag) occurs only on the side of the vehicle affected by the impact. The airbags are not designed to deploy in all side impact situations.

Components in the SIPS airbag system

This SIPS airbag system consists of a gas generator (1), the side airbag modules built into the outboard sides of both front seat backrests (2), and electronic sensors/wiring (3).

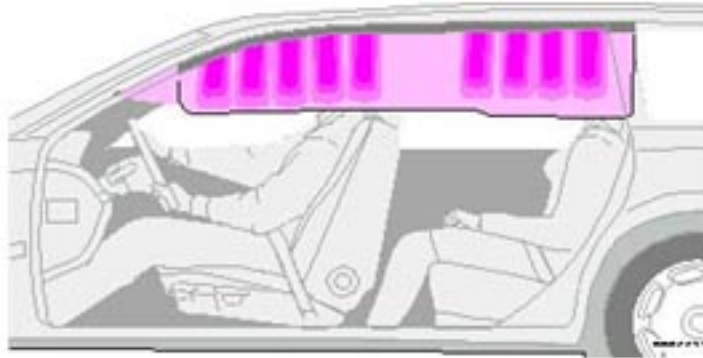
WARNING!

- The SIPS airbag system is a supplement to the structural Side Impact Protection System and the three-point seat belt system. It is not designed to deploy during collisions from the front or rear of the car or in rollover situations.
- The use of seat covers on the front seats may impede SIPS airbag deployment.
- No objects, accessory equipment or stickers may be placed on, attached to or installed near the SIPS airbag system or in the area affected by SIPS airbag deployment.
- Never try to open or repair any components of the SIPS airbag system. This should be done only by a trained and qualified Volvo service technician.
- In order for the SIPS airbag to provide its best protection, both front seat occupants should sit in an upright position with the seat belt properly fastened.
- Failure to follow these instructions can result in injury to the occupants of the vehicle in the event of an accident.



[Contents](#) | [Top of Page](#)

pg. 13 Volvo Inlatable Curtain (VIC)

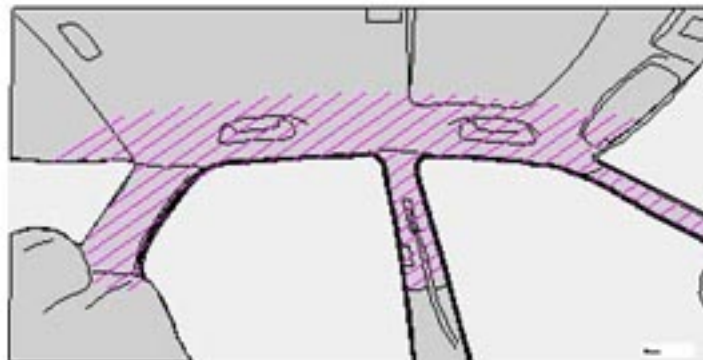


Volvo Inlatable Curtain (VIC)

This system consists of inflatable curtains located along the sides of the roof liners, stretching from the center of both front side windows to the rear edge of the rear side door windows. It is designed to help protect the heads of the occupants of the front seats and the occupants of the outboard rear seating positions in certain side impact collisions.

In certain side impacts, both the Inlatable Curtain (VIC) and the Side Impact Airbag System (SIPS-bag) will deploy, whereas, in some cases, only the Inlatable Curtain (VIC) will deploy. In cases where both the VIC and the SIPS-bag deploy, this will occur simultaneously.

NOTE: If the inflatable curtain deploys, it remains inflated for approximately 3 seconds.



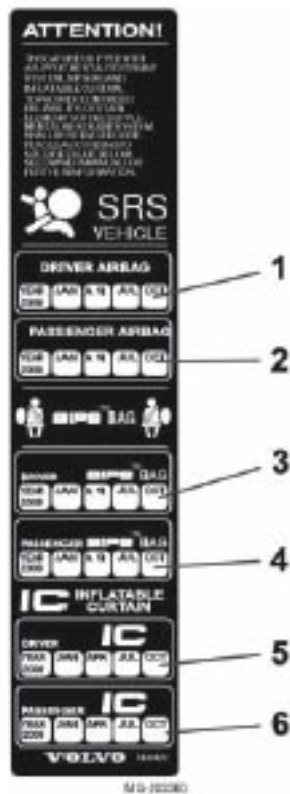
WARNING!

- The VIC system is a supplement to the Side Impact Protection System. It is not designed to deploy during collisions from the front or rear of the car or in rollover situations.
- Never try to open or repair any components of the VIC system. This should be done only by a trained and qualified Volvo service technician.
- In order for the VIC to provide its best protection, both front seat occupants and both outboard rear seat occupants should sit in an upright position with the seat belt properly fastened; adults using the seat belt and children using the proper child restraint system. Only adults should sit in the front seats. Children must never be allowed in the front passenger seat. See [page 21](#) for guidelines. Failure to follow these instructions can result in injury to the vehicle occupants in an accident.

pg. 14 Whiplash Protection System (WHIPS)**Inspection date**

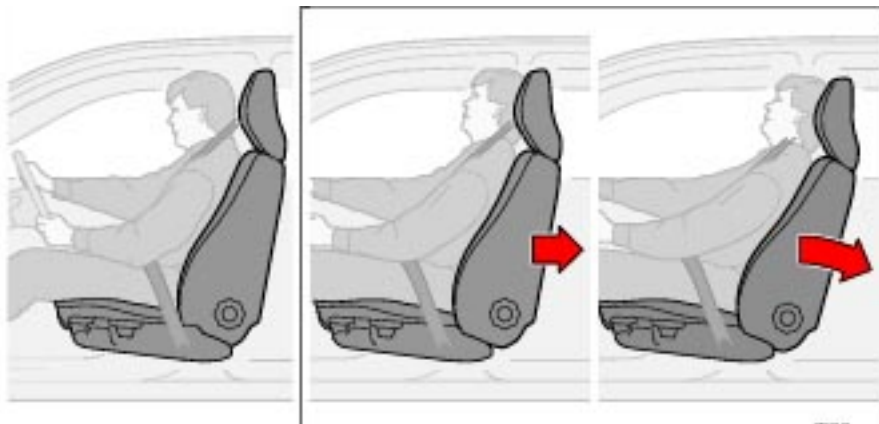
1. Driver's side airbag
2. Passenger's side airbag
3. Side airbag on the driver's side
4. Side airbag on the passenger's side
5. Driver's side inflatable curtain
6. Passenger's side inflatable curtain

WARNING! There is no owner maintenance that can be performed on the SRS system. The month and year shown on the decal to the right (located on door pillar) indicate when you should contact your Volvo retailer for specific servicing or replacement of SRS system components. This service must be performed by a trained and qualified Volvo service technician.



This is a sample of the decal located in the left rear door opening

pg. 15 Whiplash Protection System (WHIPS)



Whiplash Protection System (WHIPS) - front seats only

The WHIPS system consists of specially designed hinges and brackets on the front seat backrests designed to help absorb some of the energy generated in a collision from the rear (when the vehicle is "rear-ended").

In the event of a collision of this type, the hinges and brackets of the front seat backrests are designed to change position slightly to allow the backrest/head restraint to help support the occupant's head before

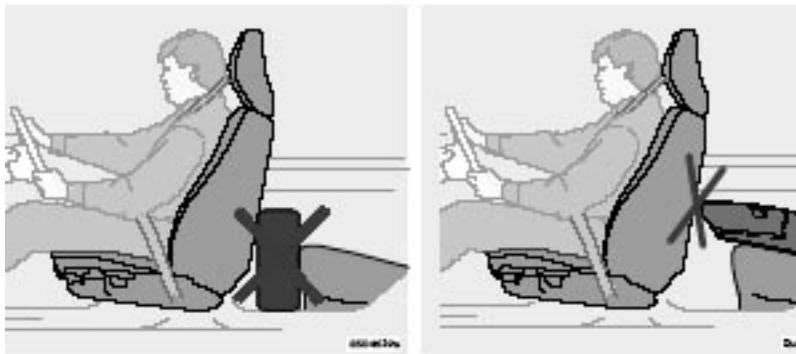
moving slightly rearward. This movement helps absorb some of the forces that could result in whiplash.

WARNING!

- The WHIPS system is designed to supplement the other safety systems in your car. For this system to function properly, the three-point seat belt must be worn. Please be aware that no system can prevent all possible injuries that may occur in an accident.
- The WHIPS system is designed to function in certain collisions from the rear, depending on the crash severity, angle and speed.
- Occupants in the front seats must never sit out of position. The occupant's back must be as upright as comfort allows and be against the seat back with the seat belt properly fastened.

(contd. on following page)

pg. 16 Child safety



WARNING!

- Boxes, suitcases, etc. wedged behind the front seats could impede the function of the WHIPS system.
- If the rear seat backrests are folded down, cargo must be secured to prevent it from sliding forward against the front seat backrests in the event of a collision from the rear. This could interfere with the action of the WHIPS system.
- If your car has been involved in a rear-end collision, the front seat backrests must be inspected by a trained and qualified Volvo service technician, even if the seats appear to be undamaged. Certain components in the WHIPS system may need to be replaced.
- Do not attempt to service any component in the WHIPS system yourself.
- Any contact between the front seat backrests and the folded rear seat could impede the function of the WHIPS system. If the rear seat is folded down, the occupied front seats must be adjusted forward

so that they do not touch the folded rear seat.

pg. 17 Child safety

Children should be seated safely

Volvo recommends the proper use of restraint systems for all occupants including children. Remember that, regardless of age and size, a child should always be properly restrained in a car.

Your car is also equipped with ISOFIX/LATCH attachments, which make it more convenient to install child seats.

Some restraint systems for children are designed to be secured in the vehicle by lap belts or the lap portion of a lap-shoulder belt. Such child restraint systems can help protect children in cars in the event of an accident only if they are used properly. However, children could be endangered in a crash if the child restraints are not properly secured in the vehicle. Failure to follow the installation instructions for your child restraint can result in your child striking the vehicle's interior in a sudden stop.

Holding a child in your arms is NOT a suitable substitute for a child restraint system. In an accident, a child held in a person's arms can be crushed between the vehicle's interior and an unrestrained person. The child could also be injured by striking the interior, or by being ejected from the vehicle during a sudden maneuver or impact. The same can also happen if the infant or child rides unrestrained on the seat. Other occupants should also be properly restrained to help reduce the chance of injuring or increasing the injury of a child.

All states and provinces have legislation governing how and where children should be carried in a car. Find out the regulations existing in your state or province. Recent accident statistics have shown that children are safer in rear seating positions than front seating positions when properly restrained. A child restraint system can help protect a child in a vehicle. Here's what to look for when selecting a child restraint system:

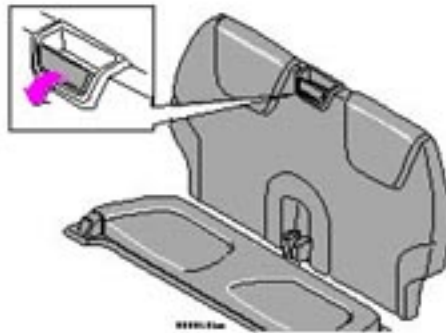
- It should have a label certifying that it meets applicable Federal Motor Vehicle Safety Standards (FMVSS 213) - or in Canada, CMVSS 213.
- Make sure the child restraint system is approved for the child's height, weight and development - the label required by the standard or regulation, or instructions for infant restraints, typically provide this information.
- In using any child restraint system, we urge you to carefully look over the instructions that are provided with the restraint. Be sure you understand them and can use the device properly and safely in this vehicle. A misused child restraint system can result in increased injuries for both the infant or child and other occupants in the vehicle.

When a child has outgrown the child safety seat, you should use the rear seat with the standard seat belt fastened. The best way to help protect the child here is to place the child on a cushion so that the seat belt is properly located on the hips (see the illustration on [page 21](#)). Legislation in your state or province may mandate the use of a child seat or cushion in combination with the seat belt, depending on the child's age and/or size. Please check local regulations. A specially designed and tested booster cushion (not available in Canada) can be obtained from your Volvo retailer for children weighing 33 - 80 lb. (15 - 36 kg) and 38-54 inches (97 - 137 cm) in height.

WARNING!

- Do not use child safety seats or child booster cushions/backrests in the front passenger's seat. We also recommend that children under 4 feet 7 inches (140 cm) in height who have outgrown these devices sit in the rear seat with the seat belt fastened.
- On hot days, the temperature in the vehicle interior can rise very quickly. Exposure to these high temperatures for even a short period of time can cause heat-related injury or death. Small children are particularly at risk.

pg. 18 Child safety



Auxiliary seat (option)

If all the seats are occupied, a rear-facing auxiliary seat in the cargo area can be used. This seat is designed for two children, each weighing between 50 - 88 lbs. (23 - 40 kg) with a total seat capacity of 176 lbs. (80 kg) and up to 55 inches (140 cm) in height.

Raising

Remove the cargo area cover, if installed, from the car. Raise the backrest section forward until it locks in place.

Flip the seat cushion over.

Lowering

Flip the seat cushion back into storage position.

Pull the release handle and lower the backrest to storage position.

WARNING!

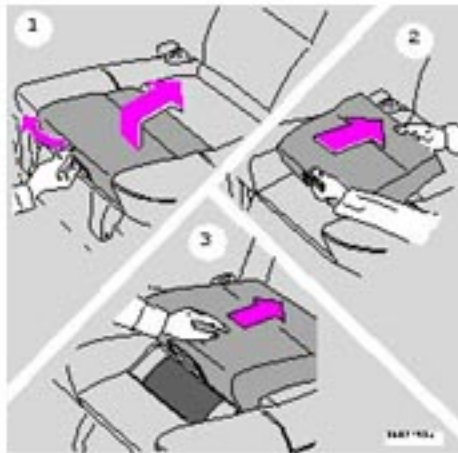
- Both rear seat backrests must be up when the auxiliary seat is being used.
- Do not use a booster cushion or child seat in conjunction with the auxiliary seat.
- The luggage net should be retracted.
- The child safety lock in the tailgate should be on to prevent children from inadvertently opening the tailgate from the inside.
- The exhaust pipe will still be hot when the engine is turned off. Take care that children do not burn themselves when they get into or out of the car.

pg. 19 Child safety

Integrated booster cushions, outboard positions (optional)

Volvo's optional integrated booster cushions are located in the outboard seating positions. These booster cushions have been specially designed to help safeguard a child seated in the rear seat. These seats should be stowed (folded down into the seat cushion) before installing accessory child seats. When using an integrated booster cushion, the child must be secured with the vehicle's three-point seat belt.

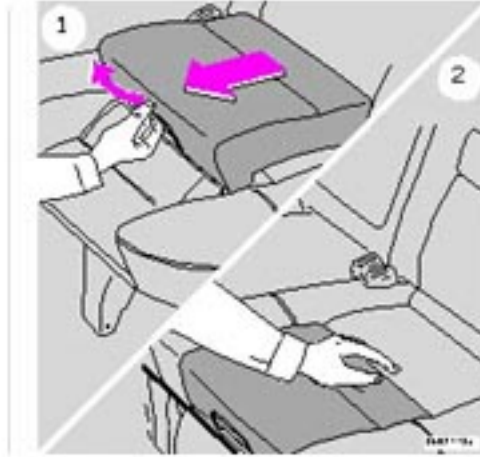
Use this booster cushion only with children who weigh between 33 and 80 lbs (15 and 36 kg) and whose height is between 38 and 54 in (97 and 137 cm).



Integrated booster cushion - outboard positions

Outboard integrated booster cushions - folding up

1. Pull the handle at the front of the cushion forward.
2. With both hands push the cushion rearward.
3. Push the cushion until it locks in place.



Integrated booster cushion - outboard positions

Outboard integrated booster cushions - folding down

1. Pull the handle at the front of the cushion forward.
2. Push the cushion forward/downward.

NOTE: The booster cushion must be completely lowered before the rear seat backrest can be folded down.

pg. 20 Child safety



The child should be properly seated on the booster cushion. The hip section of the three-point seat belt must fit snugly across the child's hips, not across the stomach. The shoulder section of the three-point seat belt should be positioned across the chest and shoulder (see illustration). The shoulder belt must never be placed behind the child's back or under the arm.

WARNING!

- DEATH or SERIOUS INJURY can occur
- Follow all instructions on the booster cushion and in the vehicle's owner's manual.
- **MAKE SURE THE BOOSTER CUSHION IS SECURELY LOCKED BEFORE THE CHILD IS SEATED.**
- Use this booster cushion only with children who weigh between 33 and 80 lbs (15 and 36 kg) and whose height is between 38 and 54 in (97 and 137 cm).
- In the event of a collision while the integrated booster cushion was occupied, the entire booster cushion and seat belt must be replaced. The booster cushion should also be replaced if it is badly worn or damaged in any way. This work should be performed by an authorized Volvo retailer only.

Canada only: This cushion may be referred to as a built-in booster cushion.

pg. 21 Child safety

Automatic Locking Retractor/ Emergency Locking Retractor

To make child seat installation easier, each seat belt (except for the driver's belt) is equipped with a locking mechanism to help keep the seat belt taut.

When attaching the seat belt to a child seat:

- Attach the seat belt to the child seat according to the child seat manufacturer's instructions.
- Pull the seat belt out as far as possible.
- Insert the seat belt latch plate into the buckle (lock) in the usual way.
- Release the seat belt and pull it taut around the child seat.

A sound from the seat belt retractor will be audible at this time and is normal.

The belt will now be locked in place.

This function is automatically disabled when the seat belt is unlocked and the belt is fully retracted.

WARNING!

Do not use child safety seats or child booster cushions/backrests in the front passenger's seat. We also recommend that children who have outgrown these devices sit in the rear seat with the seat belt properly fastened.

Volvo's recommendations

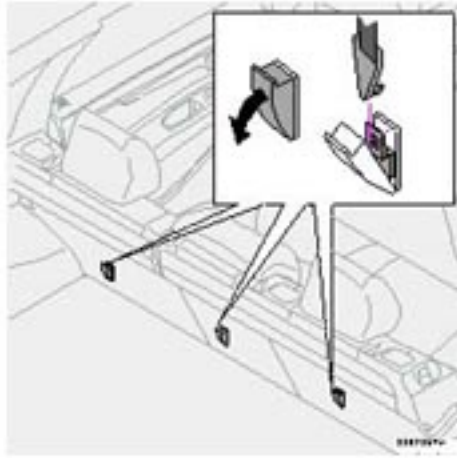
Why does Volvo believe that no child should sit in the front seat of a car? It's quite simple really. A front airbag is a very powerful device designed, by law, to help protect an adult.

Because of the size of the airbag and its speed of inflation, a child should never be placed in the front seat, even if he or she is properly belted or strapped into a child safety seat. Volvo has been an innovator in safety for over seventy-five years, and we'll continue to do our part. But we need your help. Please remember to put your children in the back seat, and buckle them up.

Volvo has some very specific recommendations:

- Always wear your seat belt.
- Airbags are a SUPPLEMENTAL safety device which, when used with a three-point seat belt can help reduce serious injuries during certain types of accidents. Volvo recommends that you do not disconnect the airbag system in your vehicle.
- Volvo strongly recommends that everyone in the vehicle be properly restrained.
- Volvo recommends that ALL occupants (adults and children) shorter than 4 feet 7 inches (140 cm) be seated in the back seat of any vehicle with a front passenger side airbag.

Drive safely!



Child Restraint Anchorages

Volvo cars are fitted with child restraint top tether anchorages in the rear seat.

Refer to the child seat manufacturer's instructions for information on securing the child seat.

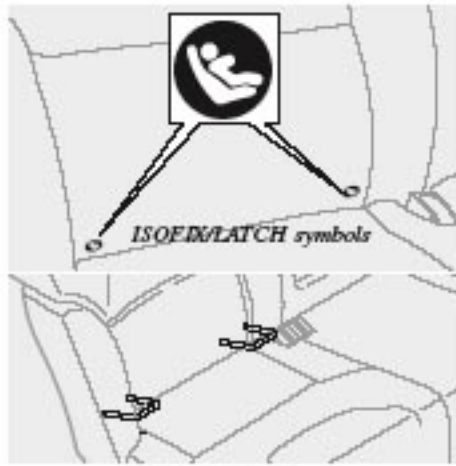
The anchorage points are on the rear seat backrests.

NOTE:

- Child restraints could be recalled for safety reasons. You must register your child restraint to be reached in a recall. To stay informed about child safety seat recalls, be sure to fill out and return the registration card that comes with new child restraints.
- Child restraint recall information is readily available in both the U.S. and Canada. For recall information in the U.S., call the U.S. Government's Auto Safety Hotline at 1-800-424-9393 . In Canada, visit Transport Canada's Child Safety website at <http://www.tc.gc.ca/roadsafety/childsafety/menu.htm>.

WARNING!

- Child restraint anchorages are designed to withstand only those loads imposed by correctly fitted child restraints. Under no circumstances are they to be used for adult seat belts or harnesses. The anchorages are not able to withstand excessive forces on them in the event of collision if full harness seat belts or adult seat belts are installed to them. An adult who uses a belt anchored in a child restraint anchorage runs a great risk of suffering severe injuries should a collision occur.
- Do not install rear speakers that require the removal of the top tether anchors or interfere with the proper use of the top tether strap.
- Top tether straps should be routed beneath the head restraints.



ISOFIX/LATCH anchors
ISOFIX/LATCH anchors

ISOFIX/LATCH anchors

Lower anchors for ISOFIX-equipped child seats are located in the rear, outboard seats, hidden below the backrest cushions. Symbols on the seat back upholstery mark the anchor positions as shown.

To access the anchors, kneel on the seat cushion and locate the anchors by feel. Always follow your child seat manufacturer's installation instructions, and use both ISOFIX lower anchors and top tethers whenever possible.



[Contents](#) | [Top of Page](#)

**2 0 0 6
VOLVO
V70**

Chapter 2 - Instruments, switches and controls

pg. 23 Instruments, switches and controls

<u>Interior</u>	<u>24</u>
<u>Exterior</u>	<u>25</u>
<u>Instruments</u>	<u>26</u>
<u>Instrument panel</u>	<u>27</u>
<u>Indicator and warning lights</u>	<u>28</u>
<u>Text information window</u>	<u>30</u>
<u>Switches in the center console</u>	<u>31</u>
<u>Trip computer</u>	<u>32</u>
<u>Cruise control</u>	<u>33</u>
<u>Lighting panel</u>	<u>35</u>
<u>Steering wheel adjustment/lock, Ignition switch</u>	<u>36</u>
<u>Left-side steering wheel lever</u>	<u>37</u>
<u>Right-side steering wheel lever</u>	<u>38</u>
<u>Tailgate wipers/washers, Water repellent glass</u>	<u>39</u>
<u>Warning flashers, heated mirrors/rear window, heated front seats</u>	<u>40</u>
<u>Parking brake, auxiliary socket/ashtrays</u>	<u>41</u>
<u>Electrically operated windows</u>	<u>42</u>

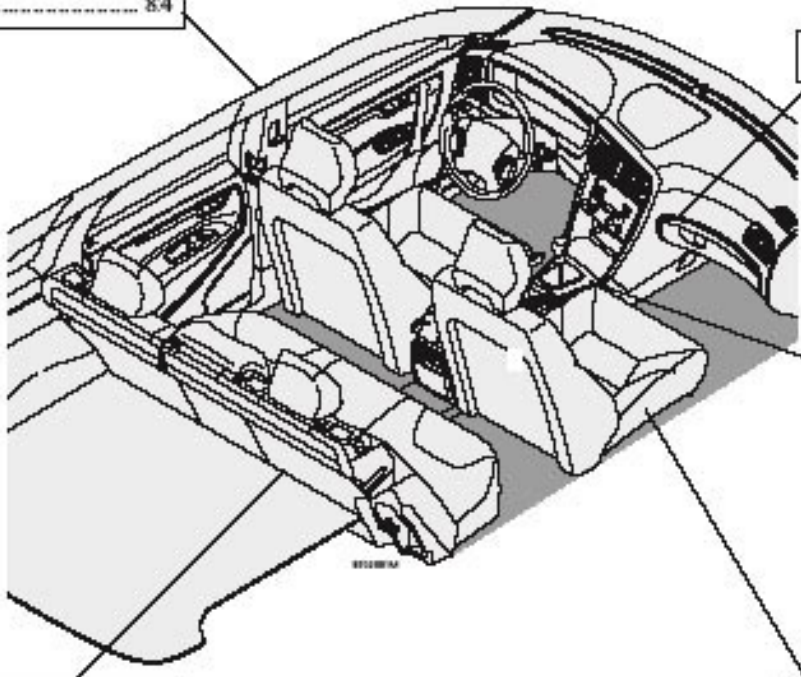
Rearview/sideview mirrors 43

Power moonroof 44

Sun visor 45

pg. 24 Interior

Electrically operated windows	42
Sideview mirror controls	43
Locking and unlocking the car	83
Alarm	84



Glove compartment	61
-------------------------	----

Center console switches	31
Parking brake	41
Manual transmission.....	93
Automatic transmission	94

Adjusting head restraint	66
Integrated booster cushions	19
Folding rear seat	65
Child safety locks	86

Heated seats (option)	40
Power seat adjustment	58
Cleaning upholstery	151

pg. 25 Exterior

Moonroof (option)	44
-------------------------	----

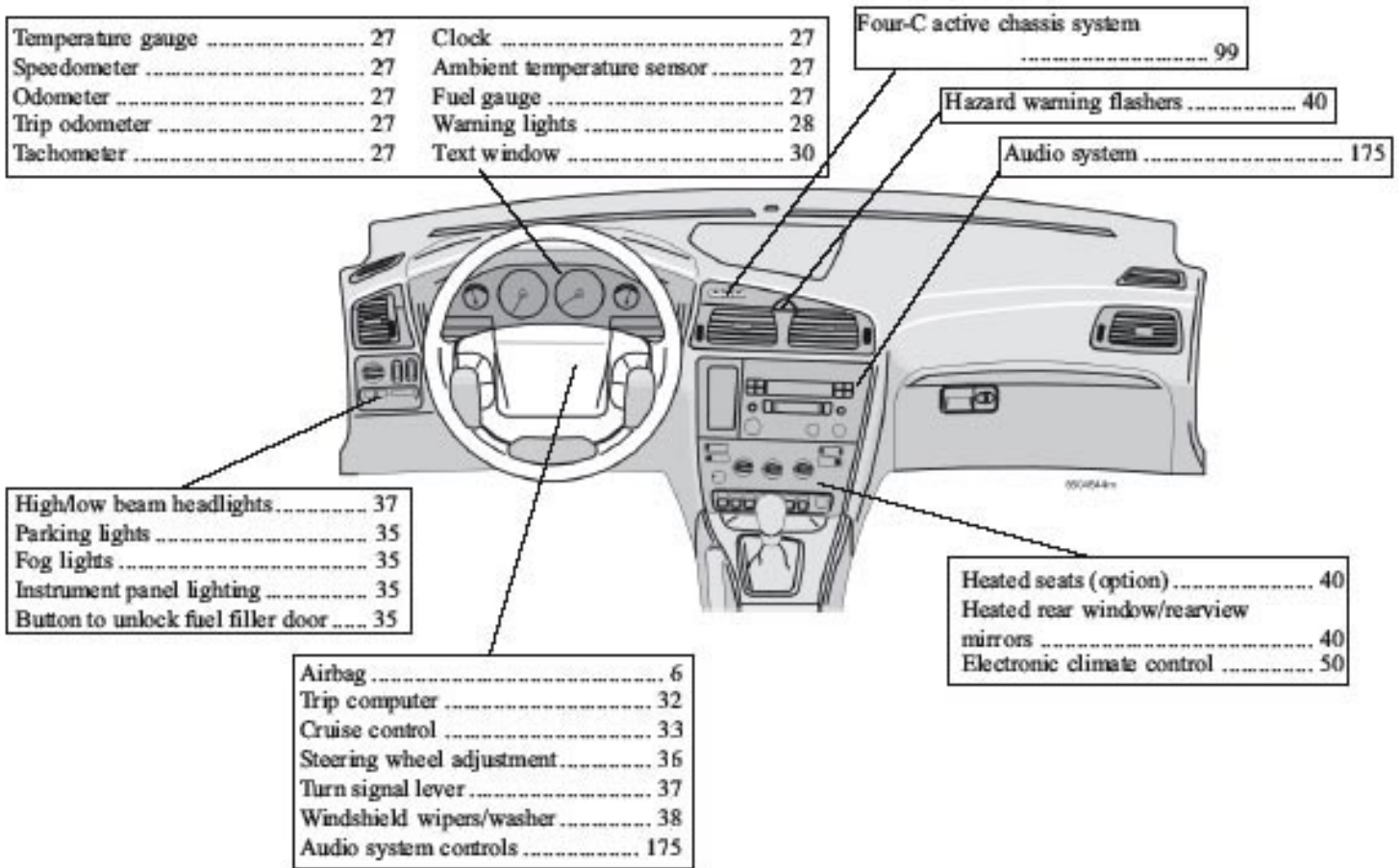
Paint touch-up	148
Washing the car	149

Fuel filler door	90
Refueling	90
Economical driving	101

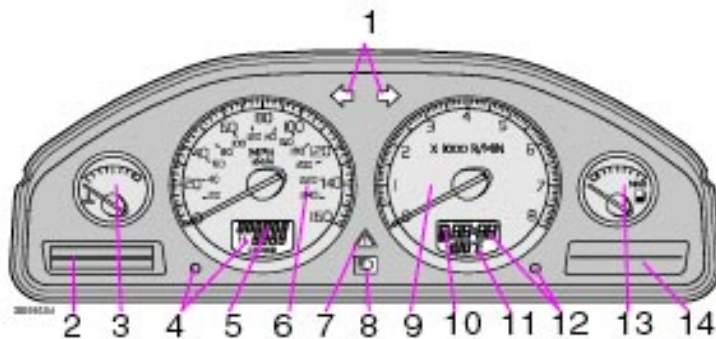
Replacing a low beam	142
Replacing a high beam	142
Replacing a parking light	143
Replacing a front turn signal	143
Replacing a front fog light	144
Replacing a headlight wiper	164

Brake system	113
Tires	118
Wheels	118
Spare tire	131
Changing wheels	132

Replacing a back-up light	145
Replacing a brake light	145
Replacing a tail light	145
Replacing a rear turn signal	145
Replacing a rear fog light	145
Replacing license plate lights	146



pg. 27 Instrument panel



1 Turn signals

2 Text window

3 Temperature gauge

The pointer should be approximately midway on the gauge when driving.

Do not drive the car if the warning light is on. The text window will provide you with additional

information.

If the engine temperature remains high, check coolant level - see [page 154](#).

4 Trip odometer/reset button

The trip odometer is used for measuring shorter distances. The last digit indicates 1/10 mile/kilometer. Press the button quickly to toggle between trip odometers 1 and 2. Hold in the button for more than 2 seconds to reset.

5 Odometer

6 Speedometer

7 General warning light (see [page 28](#)).

8 High beam indicator light

9 Tachometer

Indicates engine speed in thousands of rpm. Do not drive for long with the needle in the red section. The engine has an built-in function preventing too high engine speed. When this function operates, you may discern some pulsation, which is normal.

10 Gear and driving mode indicator

The currently selected driving mode is displayed here. If you use the Geartronic function on the automatic transmission, the currently selected gear will be displayed.

11 Ambient temperature indicator

This display indicates the air temperature outside your car. A "snowflake" symbol in the text window is displayed when the temperature is in the range of 23 - 36° F (-5 - +2° C).

Please note that this symbol does not indicate a fault with your car.

At low speeds or when the car is not moving, the temperature readings may be slightly higher than the actual ambient temperature.

12 Clock/reset button

Turn the button to adjust the clock.

13 Fuel gauge

The fuel tank holds approximately:

Front wheel drive, non-turbo models - 18.5 US gal. (70 liters)

All turbo models - 18 US gal. (68 liters)

If the light comes on while driving or braking, stop immediately, open the hood and check the brake fluid level in the reservoir. See [page 158](#) for the location of the reservoir.

Canadian models are equipped with this warning light: 



Oil pressure warning light

If the light comes on while driving, **stop the car and then stop the engine immediately and check the engine oil level.** R-models are also equipped with an oil level warning system. See [page 160](#). If the light stays on after restart, have the car towed to the nearest authorized Volvo retailer. After hard driving, the light may come on occasionally when the engine is idling. This is normal, provided it goes off when the engine speed is increased.

Parking Brake

Parking brake reminder light

This light will be on when the parking brake (hand brake) is applied. The parking brake lever is situated between the front seats.

Canadian models are equipped with this warning light: 



Generator warning light

If the light comes on while the engine is running, have the charging system checked.

* Rear fog light, if used, and trailer turn signal, if towing a trailer, will go on while driving.

pg. 29 Indicator and warning lights



Rear fog light


This light indicates that the rear fog light is on.

CHECK ENGINE

Malfunction indicator lamp

On-Board Diagnostic II (OBDII): As you drive, a computer called "OBDII" monitors your car's engine, transmission, electrical and emission systems. The CHECK ENGINE light will light up if the computer senses a condition that potentially may need correcting. When this happens, please have your car checked by a Volvo retailer as soon as possible.

A CHECK ENGINE light may have many causes. Sometimes, you may not notice a change in your car's behavior. Even so, an uncorrected condition could hurt fuel economy, emission cleanliness, and driveability. Extended driving without correcting the cause could even damage other components in your car.

Canadian models are equipped with this warning light: 

NOTE: If the fuel filler cap is not closed tightly or if the engine is running when the car is refueled, the Malfunction Indicator Lamp may indicate a fault. However, your vehicle's performance will not be affected. Use only Volvo original or approved fuel filler caps.



Anti-lock Brake System ABS

If the warning light comes on, there is a malfunction of the ABS system (the standard braking system will still function). The vehicle should be driven to a Volvo retailer for inspection. See [page 114](#) for additional information.



Stability Traction Control (STC) system (option), or Dynamic Stability and Traction Control (DSTC) system (option)

An indicator light will flash when STC or DSTC is actively working to stabilize the car. See [pages 115-116](#) for more detailed information.



Turn signal indicator - trailer (certain models)

If you are towing a trailer, this light will flash simultaneously with the turn signals on the trailer. If the light does not flash when signaling, neither the trailer's turn signals nor the car's turn signals are functioning.



Seat belt reminder

This symbol lights up to indicate that the driver has not fastened his/her seat belt.



Tire pressure warning light

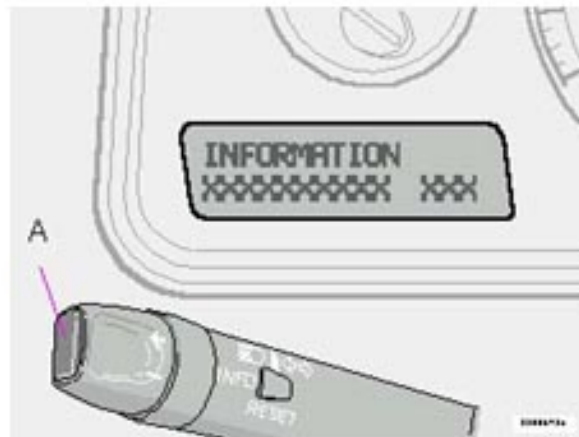
See [page 123](#) for more information on this function.



Supplemental Restraint System (SRS)

If this light comes on while the car is being driven, or remains on for longer than approximately 10 seconds after the car has been started, the SRS system's diagnostic functions have detected a fault in a seat belt lock or tensioner, a front airbag, side impact airbag, and/or an inflatable curtain. Have the system(s) inspected by a trained and qualified Volvo service technician as soon as possible.

pg. 30 Text information window



Messages in the text window

When a warning light in the instrument panel comes on, a message is also displayed in the text window. After you have read the message, you can erase it by pressing button A (see illustration above).

NOTE: Certain messages cannot be erased until the condition has been corrected.

Warning messages override text messages from any car feature that also uses the text window. A warning message must be acknowledged (erased) before you can access the feature of your choice. Press button A to erase the warning message.

Erased messages are stored in the system's memory until the required action has been taken. You can scroll through the stored messages by pressing button A. The text window can be cleared (the message will be returned to memory) by pressing button A again.

General messages

STOP SAFELY: Stop and switch off the engine - to help prevent serious risk of damage.

STOP ENGINE: Stop and switch off the engine - to help prevent serious risk of damage.

SERVICE URGENT: Take your car to a trained and qualified Volvo service technician for inspection immediately.

SEE MANUAL: Refer to your owner's manual. For additional information, please contact your Volvo retailer.

SERVICE REQUIRED: Take your car to a trained and qualified Volvo service technician for inspection as soon as possible (but preferably before the next scheduled maintenance service).

FIX NEXT SERVICE: Have the system affected inspected at the next scheduled maintenance service.

TIME FOR REGULAR SERVICE: This light will come on at 7,500 mile (12,000 km) intervals, after 750 hours of driving or after 12 months, whichever occurs first, to remind the driver that the service interval has been exceeded. The light will stay on for 2 minutes after start until reset by the servicing retailer.

1) **OIL LEVEL LOW/FILL OIL*** Check the oil level and top up if necessary. See [page 160](#).

2) **OIL LEVEL LOW/STOP SAFELY*** Stop as soon as possible and switch off the engine, check the oil level and top up if necessary. See [page 160](#).

2) **OIL LEVEL LOW/STOP ENGINE*** Stop as soon as possible and switch off the engine, check the oil level and top up if necessary. See [page 160](#).

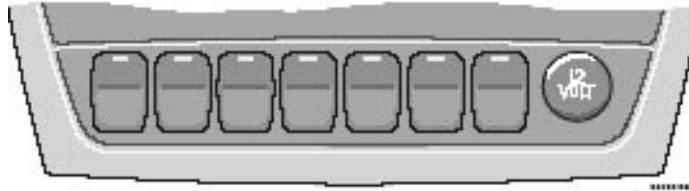
2) **OIL LEVEL LOW/SEE MANUAL*** Stop as soon as possible and switch off the engine, check the oil level and top up if necessary. See [page 160](#).

* These messages apply to R-models only.

1) Orange warning triangle, see [page 28](#).

2) Red warning triangle, see [page 28](#).

pg. 31 Switches in the center console



The positions of these buttons may vary, depending on the specifications of your car

Stability Traction Control (STC)*/ Dynamic Stability Traction Control (DSTC)**



Press this switch to turn the Spin Control (SC) function of the STC/DSTC system on or off. To help reduce the risk that the SC function is turned off inadvertently, the switch must be held in for at least half a second to disable this function.

See [pages 115-116](#) for more information. R-models only:

The Active Yaw Control function can also be deactivated. See [page 115](#) for more information.

WARNING!

Please be aware that the car's handling characteristics may be affected if the Spin Control/Active Yaw Control functions are switched off.



Disconnecting the alarm

This button is used to temporarily disconnect alarm sensors. See [page 85](#) for further information



Auxiliary socket

This 12 volt socket can be used to plug in certain accessories. The ignition key must be in position 1 (or higher) for the auxiliary socket to function. See also [page 41](#) for more information.



Front/rear park assist (option/accessory)

See [page 100](#) for more information on this function.

Four-C active chassis system: R models only

Please see [page 99](#) for information on adjusting the active chassis settings.



Power child locks (option)

See [page 86](#) for more information on this function.

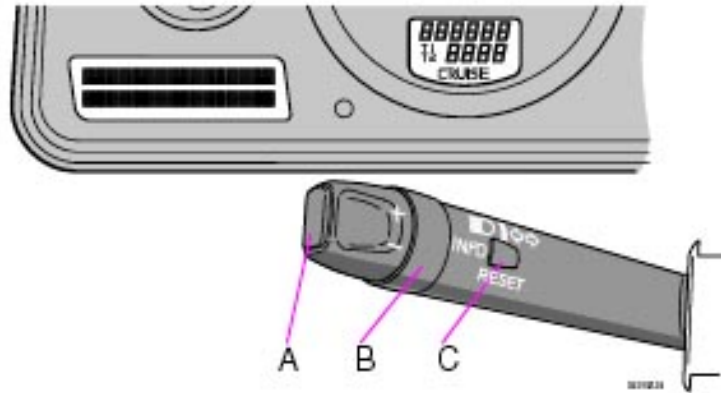


Four-C active chassis system (option)

See [page 99](#) for information on this function.

* Standard on all models except R-models.

** Standard on R-models, optional on all other models.



Trip computer

The trip computer stores information gathered from several systems in your car and has four menus that can be displayed in the text window.

- Driving distance on current fuel reserve
- Average fuel consumption
- Current fuel consumption
- Average speed
- Current speed in mph (Canadian models only)

NOTE: Warning messages from the car's monitoring systems will override the trip computer function. If a warning message is displayed in the text window while you are using the trip computer, you must acknowledge the message by pressing button A. Press button A again to return to the trip computer function.

Trip computer controls and functions

The four* trip computer functions can be accessed by twisting control B one step at a time in either direction. Twisting the control a fifth time** returns you to the original function.

The trip computer can be reset (current data will be erased from system memory) by pressing RESET (button C).

1. Driving distance on current fuel reserve

This function shows the approximate distance that can be driven on the fuel remaining in the tank. This calculation is based on average fuel consumption during the last 12 miles (20 km) of driving and the amount of fuel remaining in the tank when the reading was taken. When the driving distance on current fuel reserve is less than 12 miles (20 km), "----" will be displayed in the text window.

2. Average fuel consumption

This value indicates fuel consumption since the last time the trip computer was reset (by pressing RESET, button C). When the engine is switched off, information on fuel consumption is stored and remains in system memory until the RESET (button C) is pressed again.

3. Current fuel consumption

This value indicates the current fuel consumption, based on readings taken once per second. When the car is

not moving, "----" will be displayed.

4. Average speed

This value indicates average speed since the last time the trip computer was reset (by pressing RESET, button C). When the engine is switched off, information on average speed is stored and remains in system memory until the RESET (button C) is pressed again.

5. Current speed in miles per hour (Canadian models only)

This function provides the driver with an instantaneous conversion of the car's current speed from km/h to mph.

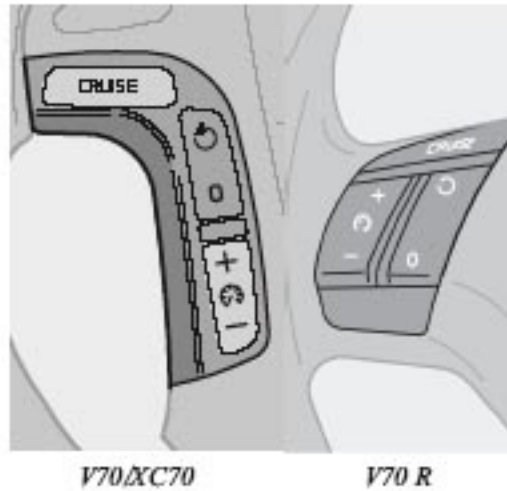
NOTE: Trip computer readings may vary slightly depending on the circumference of the tires on the car.

*Five functions on Canadian models

**A sixth time on Canadian models



[Contents](#) | [Top of Page](#)



Cruise control

The cruise control buttons are located on the left side of the steering wheel hub.

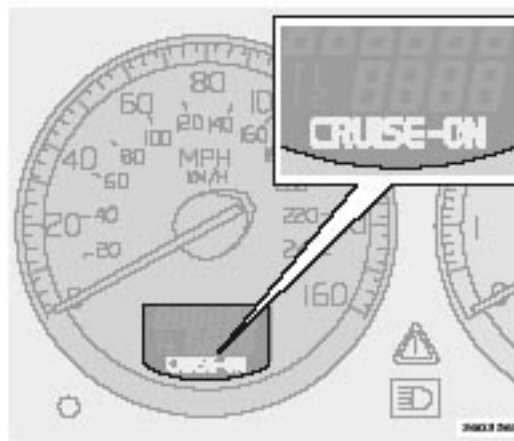
Engaging cruise control

Press the CRUISE button. CRUISE will be displayed in the information window in the instrument panel.

NOTE: This does not set the vehicle's speed.

Setting speed

Press + or - to set the current speed. CRUISE-ON will be displayed in the information window in the instrument panel.



Increasing or decreasing speed

Use + or - in the following ways to increase or decrease the vehicle's speed:

- Press and hold down + or - until the vehicle reaches the desired speed.
- Press + or - for approximately a half second and release the button to increase or decrease vehicle speed by approximately 1 mph (1.6 km/h).

NOTE: Cruise control will not function at speeds below approximately 20 mph (30 km/h).

Braking

- Cruise control is automatically disengaged when the brake pedal is depressed. The currently set speed is stored in memory.
- Pressing resume (⏪) will return the car to the previously set speed.

Acceleration

Momentary acceleration, such as when passing another car, does not affect cruise control operation. The car will automatically return to the previously set speed when the accelerator pedal is released.

Disengaging cruise control

To disengage cruise control, press the CRUISE button. CRUISE or CRUISE-ON will no longer be displayed in the information window in the instrument panel.

NOTE: Cruise control is automatically disengaged if:

- the engine is switched off
- the gear selector is placed in (N)eutral
- the wheels start to spin or lock
- the clutch is depressed
- if an increase in speed is maintained for more than one minute
- if the vehicle's speed falls below approximately 15 mph (25 km/h) for non-turbo models, or 20 mph (30 km/h) on turbo models.

(contd. on following page)

pg. 34 Cruise control

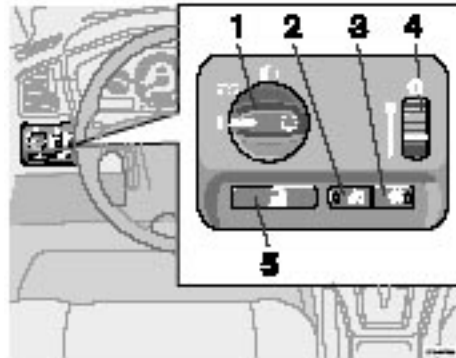
Temporarily disengaging cruise control

- Press 0 to temporarily disengage cruise control. CRUISE will be displayed in the information window in the instrument panel.
- Press the brake pedal. Press "resume" (⏪) to return to the previously set speed.

WARNING!

Cruise control should not be used in heavy traffic or when driving on wet or slippery roads. Cruise control may not maintain set speed on steep downgrades.

pg. 35 Lighting panel



1. Headlight/parking light switch
2. Front fog lights
3. Rear fog light
4. Instrument panel lighting
5. Fuel filler door unlock button

Parking lights

The front and rear parking lights can be turned on even when the ignition is switched off.

- Turn switch 1 to position **DE** *.

The license plate lights also illuminate when the parking lights are switched on.

Headlights

- Turn the ignition key to position II.
- The low beam headlights (daytime running lights) illuminate automatically, except when the light switch (1) is in position **DE** *.

See [page 37](#) for information on switching between high and low beams.

NOTE: Bi-Xenon headlights (option): Turn the headlight switch to position 0 to activate a daylight sensor, which automatically switches the low beams on or off, depending on ambient light conditions.

When driving in daylight, the headlights will switch off and the daytime running lights will come on. In darkness, the daytime running lights will switch off and the Bi-Xenon headlights will switch on.

Fog lights

Front fog lights (option)

The front fog lights can be used in combination with either the headlights or the parking lights.

- Turn the ignition key to position II.
- Press button 2 to turn on the front fog lights.

An indicator light in the button illuminates when the front fog lights are on.

Rear fog light


The single rear fog light is located in the driver's side tail light cluster.

The rear fog light will only function in combination with the high/low beam headlights or the optional front fog lights.

- Turn the ignition key to position II.
- Press button 3 to turn on the rear fog light. An indicator light in the button illuminates when the rear fog light is on.

NOTE: The rear fog light is considerably brighter than the normal tail lights and should be used only when conditions such as fog, rain, snow, smoke or dust reduce visibility for other vehicles to less than 500 ft. (150 meters).

Instrument panel lighting

The instrument panel lighting illuminates when the ignition key is in position II and the light switch (1) is in either position 0 or .

- Move the thumb wheel (4) up to increase brightness or down to decrease brightness. Unlocking the fuel filler door

Press button 5 when the car is at a standstill to unlock the fuel filler door. Please note that the fuel filler door will remain unlocked until the car begins to move forward. An audible click will be heard when the fuel filler door relocks.

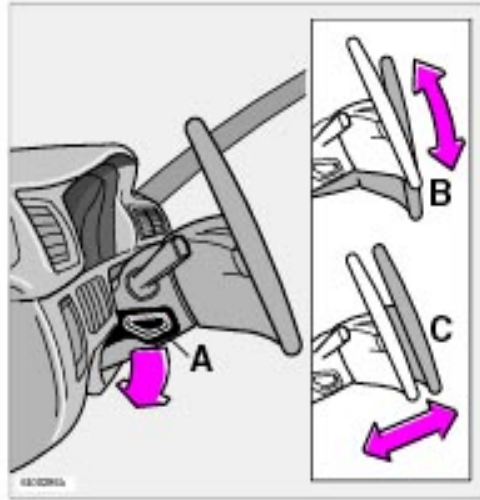
Unlocking the fuel filler door

Press button 5 when the car is at a standstill to unlock the fuel filler door. Please note that the fuel filler door will remain unlocked until the car begins to move forward. An audible click will be heard when the fuel filler door relocks.

See also [page 90](#).

NOTE: If the fuel filler door does not unlock after the button has been pressed, drive the car at a speed of at least 5 mph (8 km/h), stop the car, and press the button again.

pg. 36 Steering wheel adjustment/lock, Ignition switch



Pull down the lever (A) to adjust height (B), or reach (C)

Steering wheel adjustment

Both the height and the reach of the steering wheel can be adjusted to a comfortable position for the driver. Pull down the lever on the left of the steering column. Adjust the steering wheel to a suitable position and press the lever back into place to lock the steering wheel in the new position. Check that the steering wheel is locked in the new position.

WARNING!

Never adjust the steering wheel while driving.

Steering wheel lock

The steering wheel lock might be under tension when the car is parked.

Turn the steering wheel slightly to free the ignition key.

In order to help reduce car theft, make sure the steering wheel lock is engaged before leaving the car.

WARNING!

Never switch off the ignition (turn the ignition key to position 0) or remove the key from the ignition switch while the car is in motion. This could cause the steering wheel to lock, which would make the car impossible to steer.



O Locked position: Remove the key to lock the steering wheel*

WARNING! Never turn the key to position O while driving or when the car is being towed.

I Intermediate position:** Certain accessories, radio, etc. on, daytime running lights off.

II Drive position: Key position when engine is running.

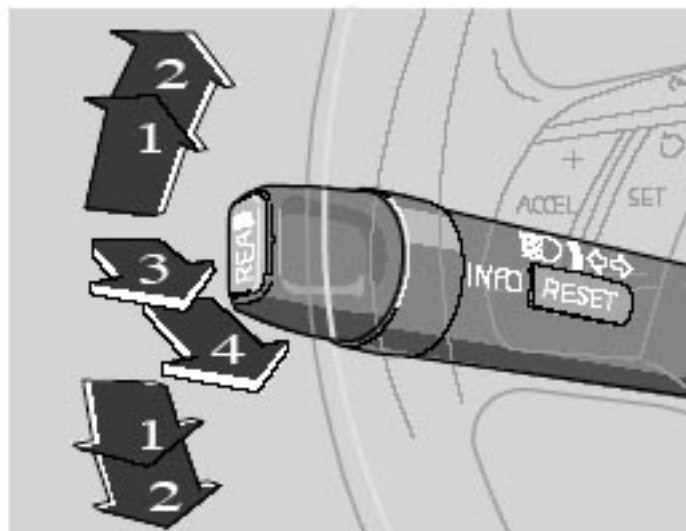
III Starting position: Release the key when the engine starts. The key returns automatically to the Drive position.

A chime will sound if the key is left in the ignition and the driver's door is opened.

* The gear selector must be in the (P)ark position.

** Please be aware that leaving the key in this position will increase battery drain.

pg. 37 Left-side steering wheel lever

**Lever positions**

1. Turn signals, lane change position
2. Turn signals, position for normal turns

3. High beam flash
4. Toggle between high and low beams, Home Safe lighting

Turn signals

When turning

Move the lever as far up or down as possible (to position 2) to start the turn signals. The turn signals will be cancelled automatically by the movement of the steering wheel, or the lever can be returned to its initial position by hand.


When changing lanes

The driver can flash the turn signals by moving the turn signal lever up or down to position 1 and releasing it. The turn signals will flash until the lever has been released.

NOTE: If the turn signal indicator flashes faster than normal, check for a burned-out turn signal bulb.

High/low beam headlights

Continuous high beams

- Turn the ignition key to position II.
- With the light switch (1) in position , (see [page 35](#)) pull the turn signal lever toward the steering wheel (position 4) to toggle between high and low beams (this also applies on models equipped with the optional Bi-Xenon headlights).

High beam flash

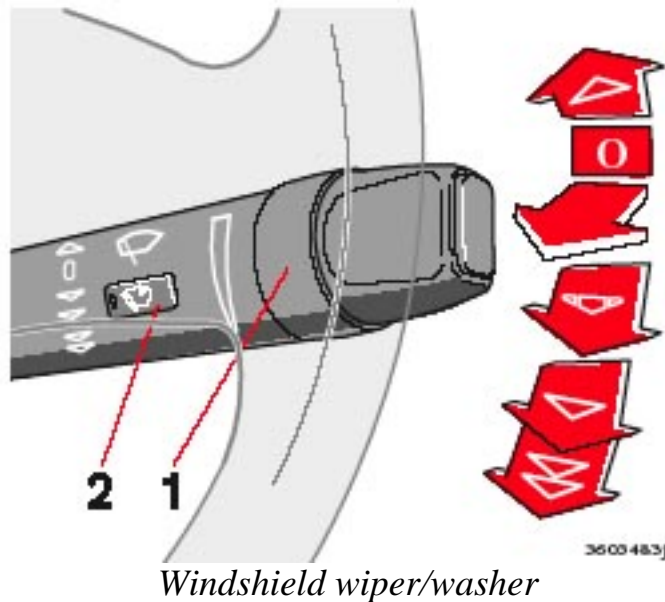
- Turn the ignition key to position II.
- Pull the turn signal lever to position 3. The high beams will remain on until the lever is released.

Home safe lighting

When you leave your car at night, you can make use of the home safe lighting function to illuminate the area in front of the car.


- Remove the key from the ignition switch.
- Pull the direction indicator lever as far as possible towards the steering wheel (to position 4) and release it.
- Exit the car and lock the doors. The headlights and parking lights will illuminate and remain on for 30*, 60 or 90 seconds. The time interval can be changed by an authorized Volvo retailer.


* Factory setting



Windshield wipers/washers

0 Windshield wipers off

 **"Single sweep" position:** Move the lever slightly upward from the 0 position for one sweep of the wipers. The lever returns automatically to 0 when released.

 **Intermittent wiper function.** With the lever in this position, you can set the wiper interval by twisting ring 1 upward to increase wiper speed or downward to decrease the speed.

Rain sensor (option)

The rain sensor automatically regulates wiper speed according to the amount of water on the windshield. The **sensitivity** of the sensor can be adjusted by twisting ring 1 upward (greater sensitivity) or downward (reduced sensitivity).

Activating the rain sensor

1. Turn the ignition key to at least position I and put the windshield wiper lever in position 0.
2. Press button 2.

An LED in the button will light up to indicate that the rain sensor is active.

Deactivating the rain sensor

- Press button 2.


or 

- Move the windshield wiper lever down to another position.

Moving the lever up will not deactivate the rain sensor. Doing so will cause the wipers to sweep the windshield until the lever is released, at which time the wipers return to rain sensor mode.

CAUTION: The rain sensor should be deactivated when washing the car in an automatic car wash, etc. If the rain sensor function is left on, the wipers will start inadvertently in the car wash and could be damaged.

Continuous wiper function

 High wiper speed

Windshield washer

Pull the lever toward you and release it. Washer fluid will be sprayed on the windshield, and the wipers will make several sweeps across the windshield after the lever is released.

A message will be displayed in the text window when the washer fluid level is low.

CAUTION: Use ample washer fluid when washing the windshield to avoid scratching the glass.

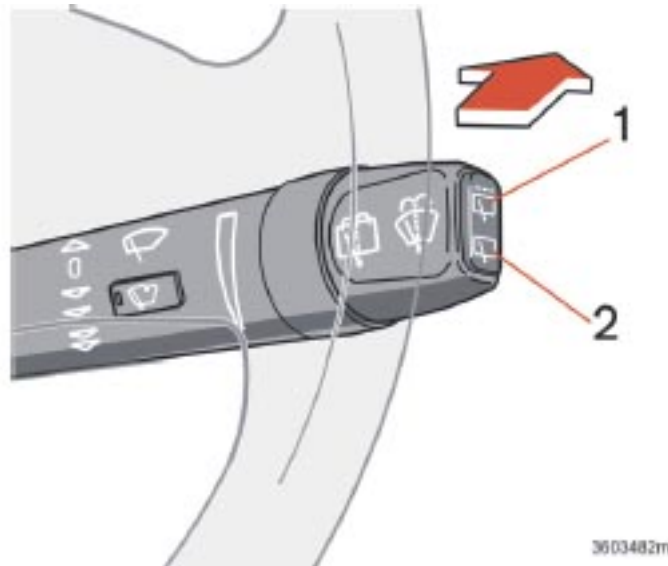
Headlight wiper/washer (certain models)

When the lever is pulled to wash the windshield, high pressure jets mounted in the bumper will spray the headlights.

- To conserve washer fluid in driving conditions where the windshield washers are used frequently, the headlights will only be washed once for every five times the windshield is washed within a 10-minute period.
- When approximately 1 US quart (1 liter) remains in the washer fluid reservoir, the rear window and headlights will not be washed when the lever is pulled to conserve washer fluid for the windshield.

NOTE: R-models are also equipped with headlight wipers, which are activated along with the washer function.

pg. 39 Tailgate wipers/washers, Water repellent glass



Tailgate wiper/washer

Tailgate wiper/washer

1 - Intermittent wiping

2 - Normal wiping

To operate the tailgate washer: Move the lever **forward** to start the tailgate washer. When less than approximately 1 US qt (1 liter) of washer fluid remains in the reservoir, the tailgate window will not be washed.

Tailgate wiper and reverse gear

If the front wipers are on and the car is put into reverse gear, then the tailgate wiper will go into intermittent wiping function*.

If the tailgate wiper is already in normal wiping function, the normal wiping function will continue.

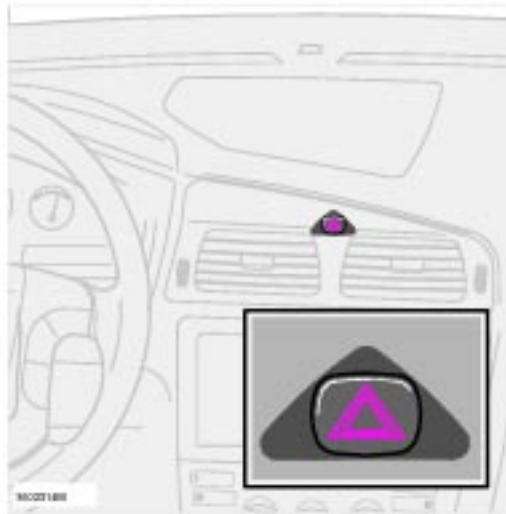
* Consult your Volvo retailer if you would like to have this function deactivated.

Water repellent glass - option

The sideview mirrors and side door windows can be treated with a water repellent coating. The optional laminated side windows always have this coating. The coating improves vision by causing the water to run off quickly. See [page 149](#) for information on cleaning this type of glass.

CAUTION!

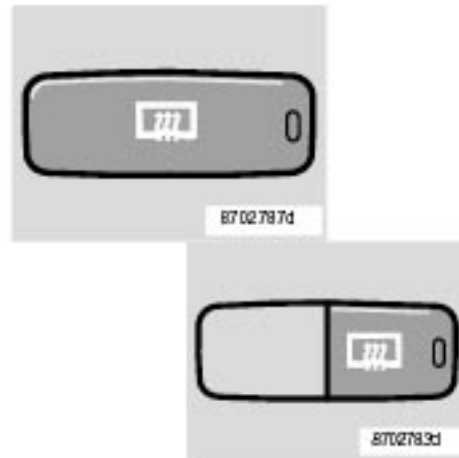
- Use only suitable plastic scrapers to remove ice or snow from the mirrors. Using a metal ice scraper could damage the water repellent coating.
- Use the heating function to remove ice, snow, or mist from the mirrors.



Hazard warning flashers

The four-way flasher should be used to indicate that the vehicle has become a traffic hazard. To activate the flashers, press the triangular button in the center dash. Press the button again to turn off the flashers.

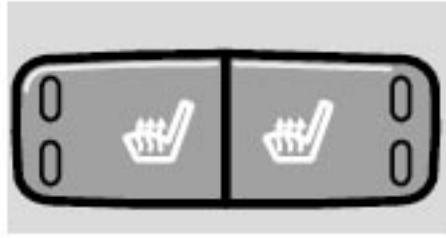
NOTE: Regulations regarding the use of the hazard warning flasher may vary, depending on where you live.



Heated sideview mirrors/rear window

Press the switch to start heating the rear window and sideview mirrors to remove ice or condensation. An LED in the switch will light up.

A timer automatically switches off the heating to the sideview mirrors after approximately 6 minutes and to the rear window after approximately 12 minutes. The LED will go out correspondingly.



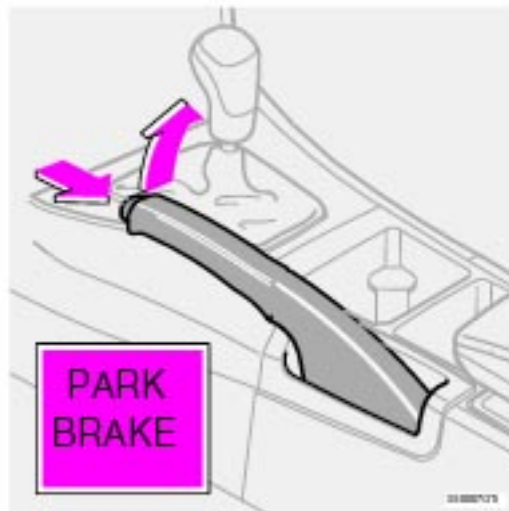
Heated front seats (option)

The front seat heating can be switched on and off as required.

- Press the switch once for maximum seat heating. Both LEDs in the switch will be lit.
- Press the switch a second time for comfort heating. One LED in the switch will be lit.
- Press the switch a third time to turn the heating off completely.

The seat heating for the passenger seat should be switched off when the seat is not occupied.

pg. 41 Parking brake, Auxiliary socket, Ashtrays



Parking brake (hand brake)

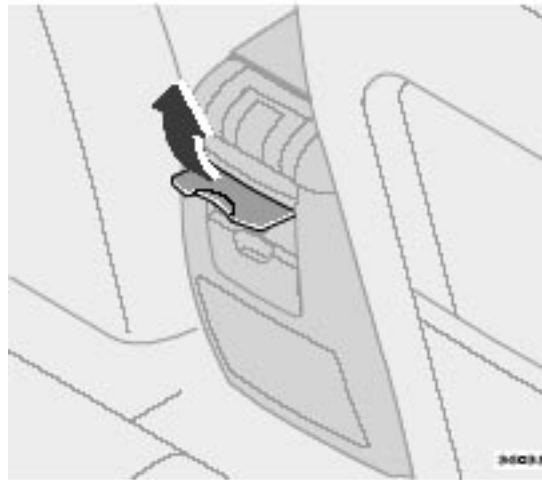
The lever is situated between the front seats. The brake is applied to the rear wheels. The indicator light in the instrument panel will light up to indicate when the parking brake is applied. Apply the parking brake by pulling up firmly on the lever. Release the parking brake by depressing the button at the end of the lever and lowering the lever completely.

WARNING!

- Always use the parking brake (hand brake) when parking. On hills, also turn the front wheels toward the curb.
- The indicator light in the instrument panel will light up even if the parking brake is applied only slightly. Be sure to pull the lever up sufficiently.



Front auxiliary socket



Rear auxiliary socket (option)

Auxiliary sockets

These 12 volt sockets can be used to plug in certain accessories such as cellular telephones, etc. The key must be in position I (or higher) for the auxiliary socket to function.

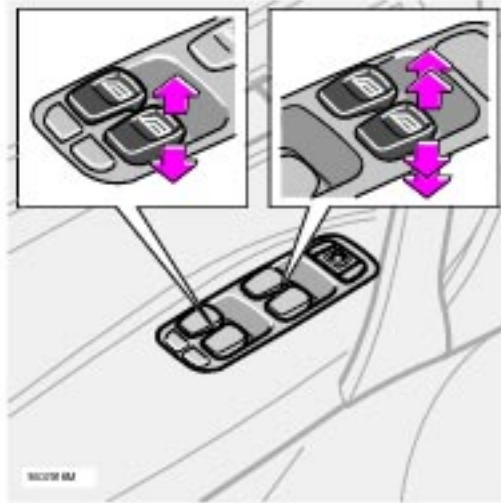
The auxiliary sockets can also be used for cigarette lighters, which are available at your Volvo retailer.

NOTE: The cover should be kept on when the auxiliary socket is not in use.

Ashtrays

Volvo cars in North America do not have an ashtray in the front seat as standard equipment. If you want to have an ashtray in the front seat, please contact your Volvo retailer.

pg. 42 Electrically operated windows



Electrically operated windows

The electrically operated windows are controlled by buttons in the arm rests. The ignition switch must be ON * (ignition key in position I, II or the engine running) for the electrically operated windows to function.

To lower: Press down the front edge of the button to the first detent ("stop").

To raise: Lightly pull up the front edge of the button to the first detent ("stop").

* The electrically operated windows will also function after the ignition has been switched off **as long as neither of the front doors has been opened.**

Auto up/down function (front doors only):

Either front door window can be opened or closed automatically.

Auto down: Press the front part of the button as far down as possible and release it immediately. To stop the window at any time, pull the button up.

Auto up: Pull the front part of the button up as far as possible and release it immediately. To stop the window at any time, press the button down.

NOTE: The power windows in the front seat have an overload protecting circuit breaker which reverses

movement of the power windows to their starting points, if they are obstructed in any way. Thereafter the windows will operate normally again.

WARNING!

- Always remove the ignition key when the vehicle is unattended.
- Make sure that children's hands are clear before raising the windows.
- Never leave children unattended in the car.

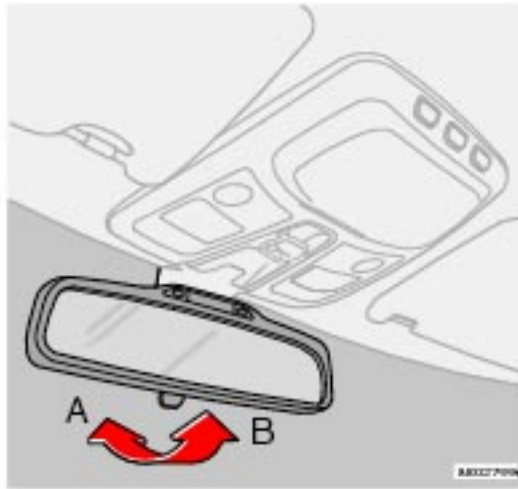


Cutout switch for rear windows

The electrically operated rear door windows can be disabled by a switch located on the driver's door (see illustration).

If the LED in the switch is OFF: The rear door windows can be raised or lowered with the buttons on the rear door armrests or with the buttons on the driver's door armrest.

If the LED in the switch is ON: The rear door windows can only be raised or lowered with the buttons on the driver's door armrest.



Rearview mirror

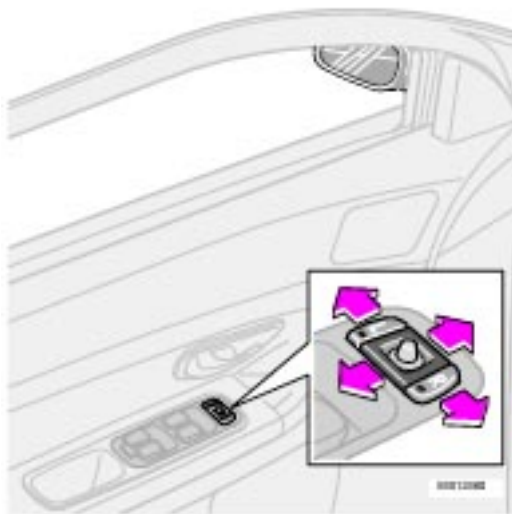
A Normal position

B Night position, reduces glare from following headlights

Autodim function (option)

The autodim function reacts to headlights from following traffic and automatically reduces glare.

NOTE: This function is automatically switched off when the gear selector is placed in the Reverse position.



Sideview mirror controls

Electrically operated sideview mirrors

The mirror control switches are located on the driver's door armrest.

Driver's side: Press the L switch (an LED in the switch will light up) to activate the adjustment control and then use this control to adjust the driver's door mirror.

Passenger's door: Press the R switch (an LED in the switch will light up) and then use the adjustment control to adjust the passenger's door mirror.

After you have adjusted the mirror(s), press the L or R switch again (the LED will go out) to deactivate the adjustment control.

Remote central locking and sideview mirror memory

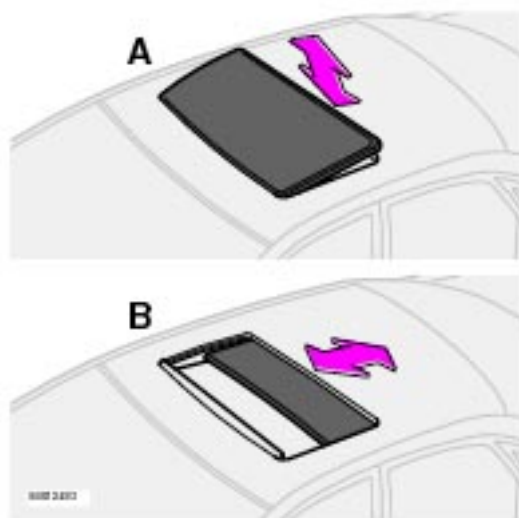
If you lock the car and later unlock it with the **same** remote control and open the driver's door, the sideview mirrors will automatically move to the position they were in when you left the car. This feature will work in the same way with all of the remote control transmitters (up to 3) that you use with your car.

This feature will not function if you lock your car with the key.

WARNING!

The mirrors should always be adjusted prior to driving. Objects seen in the wide-angle sideview mirror are closer than they appear to be.

pg. 44 Power moonroof (option)



Power moonroof

To operate the moonroof, turn the ignition key to position I or II, or start the engine.

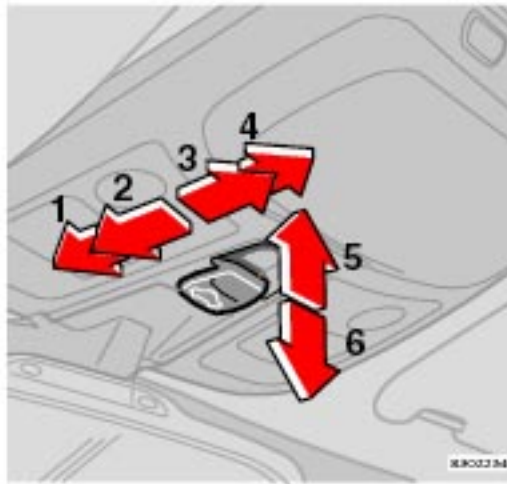
The moonroof can be operated in two ways:

- A.** Tilt position
- B.** Sliding moonroof

A. Tilt position

Open: With the moonroof closed, push up the rear edge of the switch (position 5 in the illustration below).

Close: Pull down and hold the rear edge of the switch (position 6 in the illustration below) until the moonroof has closed completely.



B. Sliding moonroof

Manual open: Pull the switch rearward to position 3 and hold it until the moonroof has opened to the position of your choice.

Auto open: Pull the switch as far back as possible (position 4) and release it to automatically slide open the moonroof to the "comfort"* position. Pull the switch rearward again to open the moonroof completely.

Manual close: Push the switch to position 2 and hold it until the moonroof has closed completely or to the position of your choice.

Auto close: Push the switch forward as far as possible (position 1) and release it to automatically close the moonroof .

WARNING!

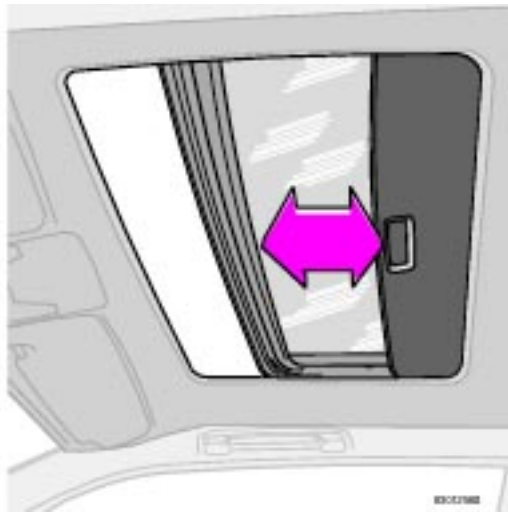
- Never open/close the moonroof if it is obstructed in any way when in operation.
- Never allow a child to operate the moonroof.
- Never extend any object or body part through the open moonroof, even if the vehicle's ignition is completely switched off.
- Never leave a child alone in a vehicle.

CAUTION!

- Remove ice and snow before opening the moonroof.
- Do not operate the moonroof if it is frozen closed.
- Never place heavy objects on the moonroof.

* A position where the moonroof is not quite fully open which helps alleviate "rumbling" wind noise.

pg. 45 Sun visor



Sun visor

Sun visor:

The optional moonroof also features a sliding sun visor. The visor slides open automatically when the moonroof is opened. The visor must be closed manually.

pg. 46 This page intentionally left blank



[Contents](#) | [Top of Page](#)

2006 VOLVO V70

Chapter 3 - Climate control system

pg. 47 Climate control system

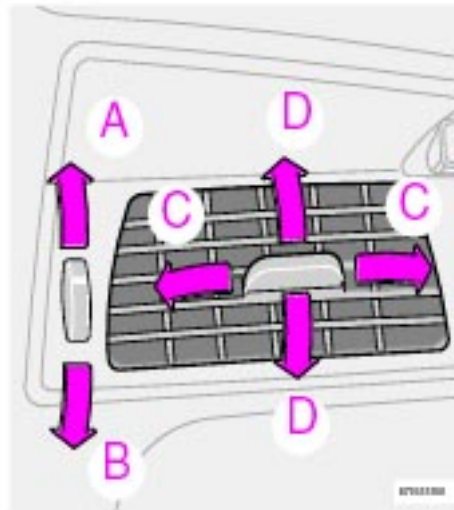
Ventilation 48

Climate control system - general information 49

Electronic Climate Control (ECC) 50

Manual climate control with air conditioning, A/C 54

pg. 48 Ventilation



Air vents in dash

Air vents (dash)

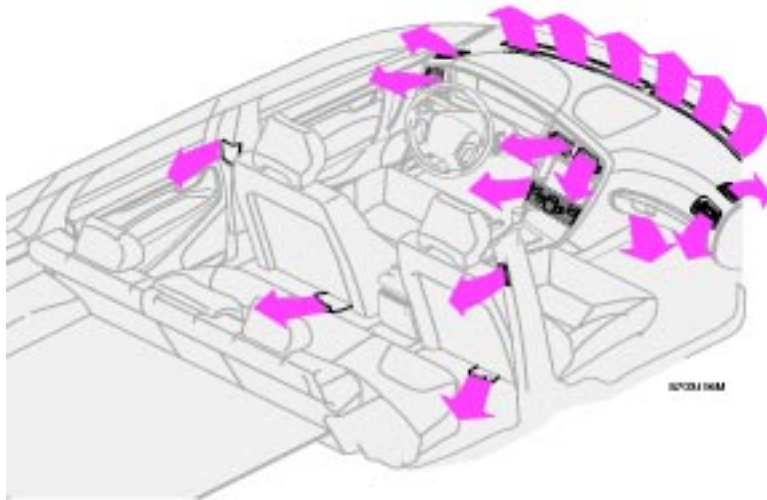
A Open

B Closed

C Horizontal air flow

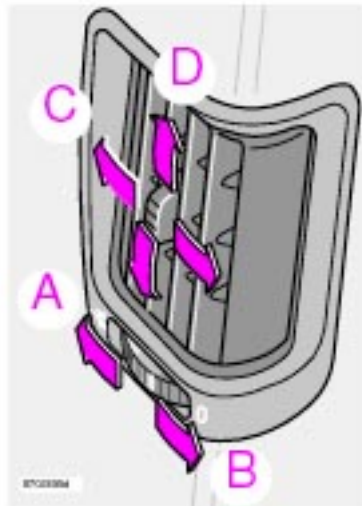
D Vertical air flow

Direct the outer air vents toward the side windows to demist.



Air flow

The air that is drawn into the passenger compartment is distributed from 14 ventilation points.



Air vents in door pillars

Air vents in door pillars

- A Open
- B Closed
- C Horizontal air flow
- D Vertical air flow

Direct the air vents toward the rear side windows to demist.

Direct the air vents toward the rear seat for the best heating/cooling effect.

pg. 49 Climate control system - general information

Condensation on the inside of the windows

Keeping the insides of the windows clean will help reduce the amount of condensation that forms on the windows. Use a commercial window cleaning agent to clean the windows.

Ice and snow

Always keep the air intake grille at the base of the windshield free of snow.

Cabin air filter

Replace the cabin air filter with a new one at the recommended intervals. Please refer to your Warranty and Service Records Information booklet, or consult your Volvo retailer for these intervals. The filter should be replaced more often when driving under dirty and dusty conditions. The filter cannot be cleaned and therefore should always be replaced with a new one.

Sensors

The sunlight sensor on the dashboard and passenger compartment temperature sensor in the ECC control panel should not be covered in any way as this could cause incorrect information to be sent to the ECC system.

Parking the car in warm weather

If your car has been parked in the sun in warm weather, opening the windows and moonroof (option) for several minutes before driving will help release the warm air from the passenger compartment. When the engine is running, close the windows and moonroof and use the recirculation function for several minutes to enable the air conditioning to cool the compartment as quickly as possible.

Windows and optional moonroof

The ECC system will function best if the windows and optional moonroof are closed. If you drive with the moonroof open, we recommend that you manually adjust the temperature and blower control (the LED in the AUTO switch should be off).

Acceleration

The air conditioning is momentarily disengaged during full-throttle acceleration.

Climate control maintenance

Special tools and equipment are required to maintain and carry out repairs on the climate system. Work of this type should only be done by a trained and qualified Volvo service technician.

Refrigerant

Volvo cares about the environment. The air conditioning system in your car contains a CFC-free

refrigerant - R134a (HFC134a). This substance will not deplete the ozone layer. The system contains 2.2 lbs (1000 g) R134a and uses PAG oil.

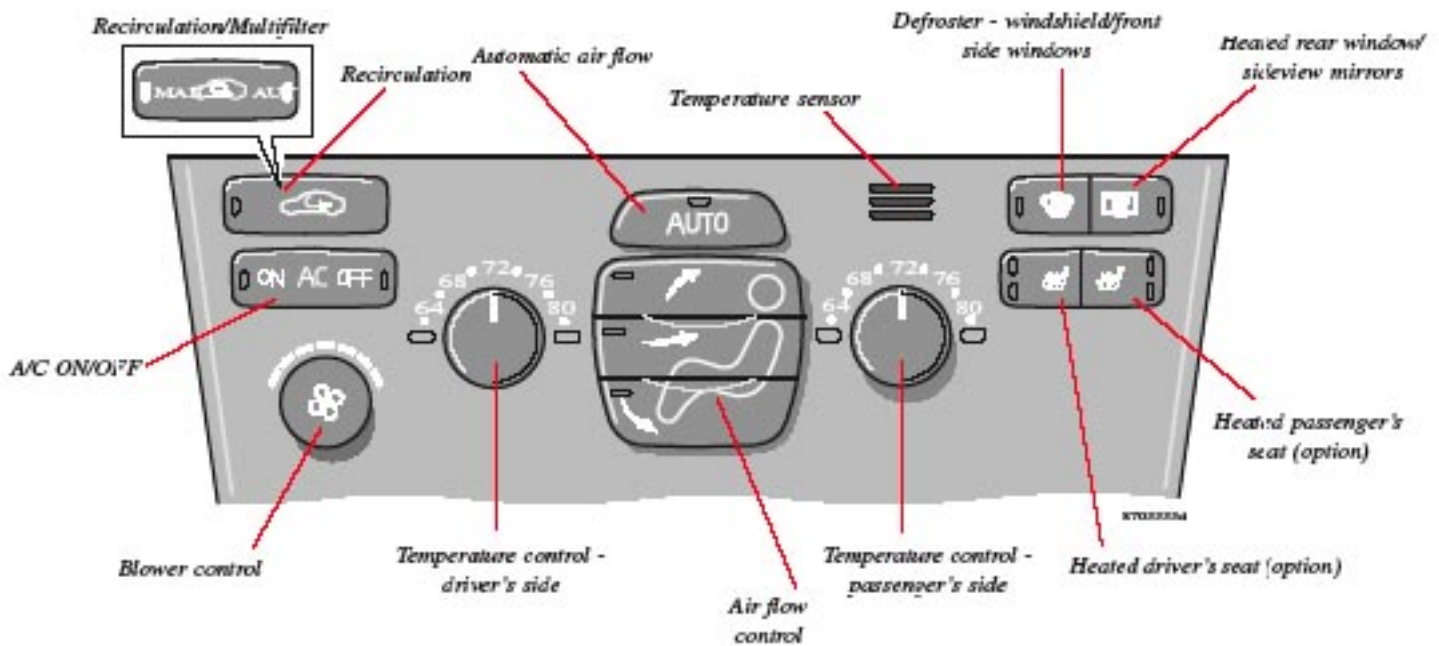
Climate system blower

The climate system blower will be automatically switched off when the engine is not running (even if the ignition key is in position I or II) to avoid unnecessary battery drain. To activate the blower, turn the control to the desired setting.

Passenger compartment blower

Approximately 50 minutes after the ignition is turned off, the blower may come on automatically, and run for five minutes, to remove condensation in the A/C evaporator.

pg. 50 Electronic Climate Control (ECC)



pg. 51 Electronic Climate Control (ECC)



AUTO

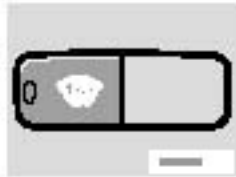
This function automatically regulates the Electronic Climate Control system so that the selected temperatures are maintained. The blower, heating, air distribution (air flow) and air conditioning are controlled. If you prefer to manually set any of these functions, the remaining functions will still be controlled automatically. Pressing the AUTO button overrides any settings that were previously made.

manually.



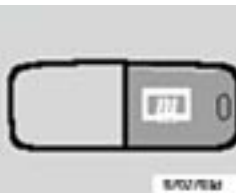
Temperature

These controls are used to individually set the temperature for both sides of the passenger compartment. Please note that the compartment will not be heated or cooled faster by setting the temperature higher or lower than necessary. Set the control to the temperature you prefer.



Defroster

This function demists/de-ices the windshield and front side windows. The LED in the switch will light up to indicate that the defrost function is engaged. Blower speed increases automatically and the air in the passenger compartment is dehumidified. Recirculation will not function while defrost is engaged.



Heated rear window/sideview mirrors

This function demists/de-ices the rear window and sideview mirrors. The LED in the switch will light up to indicate that the heating function is engaged. See [page 40](#) for additional information on this function.

CAUTION:

Never use ice scrapers made of metal as they can easily scratch the mirror surface.

pg. 52 Electronic Climate Control (ECC) - manual settings



Recirculation (see also [page 55](#))

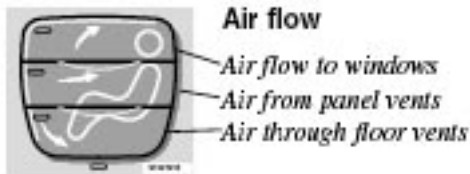
Press this switch to engage the recirculation function (air in the passenger compartment recirculates - no fresh air enters the compartment). The LED in the switch will light up to indicate that the function is engaged.

- Use this function if the outside air is contaminated with exhaust gases, smoke, etc or to heat/cool the car quickly.
- Recirculation should not be used for more than 15 minutes. *If your windows begin to fog or mist, make sure that the recirculation function is switched off.*
- Selecting Defroster automatically switches recirculation off.
- **Timer mode activation:** (Cars with Interior Air Quality system have no timer mode) Press and hold the recirculation button for at least 3 seconds to activate a recirculation timer mode. The amber LED in the recirculation button will flash 5 times to show that the timer mode is being activated. In the timer mode, each time the recirculation button is pressed, the climate control system will recirculate the air in the passenger compartment for 5-12 minutes, depending on the outside air and then revert back to fresh air.
- **Timer mode deactivation:** Press and hold the recirculation button for at least 3 seconds. The amber LED in the recirculation button will illuminate steadily for 5 seconds to show a return to "normal" mode.
- In normal mode, when the recirculation button is pressed, the climate control system will recirculate the air in the passenger compartment until the recirculation button is pressed again.
- **Timer mode memory:** If the car is turned off while timer mode is active, timer mode will still be active when the car is restarted.



Heated front seats (option)

Please see [page 40](#) for more information on this function.



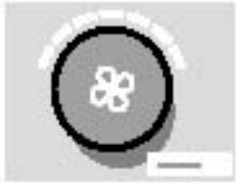
Press **AUTO** to automatically regulate air flow or press any combination of the controls shown in the illustration to manually adjust air flow. An LED in the switch will light up if an air flow control has been pressed.



Air conditioning ON/OFF

Press the switch to turn the air conditioning on or off. The "ON" or "OFF" LED will light up to indicate if the system is switched on or off. Other functions will still be regulated automatically (if the **AUTO** switch is on).

- The air conditioning functions only at temperatures above 32° F (0° C).
- While the **Defroster** function is selected, the air conditioning is temporarily activated to dehumidify the air, even if you have manually switched the air conditioning off. This will only function if the blower is *not* switched off.



Blower control

Turn the control clockwise to increase or counterclockwise to decrease the blower speed. Pressing the AUTO switch will automatically regulate blower speed and override manual adjustment.

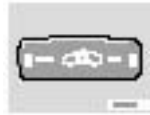
NOTE: Turning the blower control counterclockwise as far as possible (an orange LED next to the control will light up) will turn both the blower and the air conditioning off.

pg. 53 Electronic Climate Control (ECC) with Interior Air Quality system (option)

Interior Air Quality system (option)

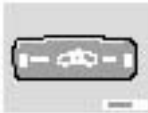
Some cars are equipped with a multifilter and air quality sensor. The filter separates gases and particles, thereby reducing the amounts of odors and contaminants entering the car. The air quality sensor detects increased levels of contaminants in the outside air. When the Air quality sensor detects contaminated outside air, the air intake closes and the air inside the passenger compartment is recirculated, i.e. no outside air enters the car. The filter also cleans recirculated passenger compartment air. When the Air

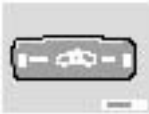
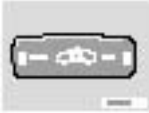
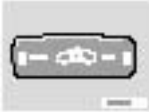
quality sensor is activated, the LED *AUT* comes on in



Operation:

Press  to activate the Air quality sensor (normal setting).

Or select one of three functions by pressing  .

1. Press  : the LED *AUT* comes on. The Air quality sensor is now activated.
2. Press  : no LED is lighted. Recirculation not activated.
3. Press  : the LED *MAN* comes on. Recirculation is now activated.

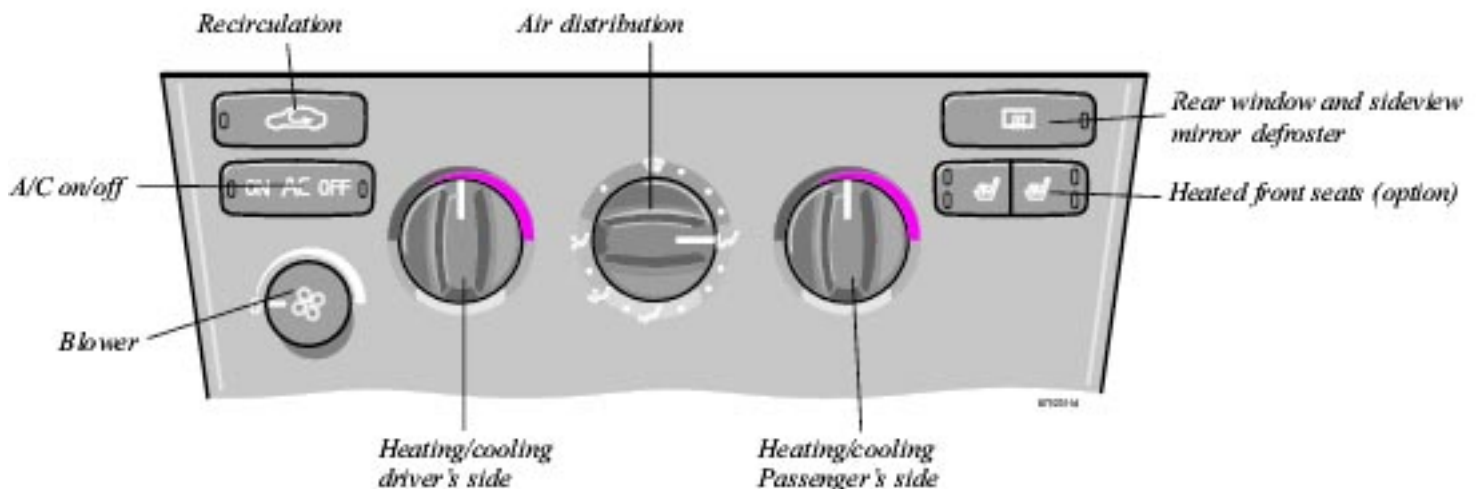
You can switch between these three functions by repeatedly pressing



Keep the following in mind:

- Make it a rule to have the air quality sensor activated at all times.
- Recirculation is limited in cold climates to avoid misting up.
- If misting occurs, you should deactivate the Air quality sensor.
- If the windows mist up, you can also use the windshield and side window defroster functions. See [page 51](#).
- The filter should be changed at the intervals listed in the Warranty and Service Records Information booklet. However, if the car is used in a severely contaminated environment, it may be necessary to change the filter more frequently.

pg. 54 Manual climate control with air conditioning, A/C



pg. 55 Manual climate control with air conditioning, A/C



A/C - ON/OFF

The air conditioning function is engaged by pressing ON and disengaged by pressing OFF. When you select Defroster , the air conditioning is automatically engaged if the fan is not set to position 0.



Heated front seats (option)

Please see [page 40](#) for more information on this function.



Heated rear window/sideview mirrors

This function demists/de-ices the rear window and sideview mirrors. The LED in the switch will light up to indicate that the heating function is engaged. See [page 40](#) for additional information on this function.

CAUTION:

Never use ice scrapers made of metal as they can easily scratch the mirror surface.



Recirculation

Recirculation can be used to shut out stale air, exhaust, etc. from the passenger compartment. The air in the passenger compartment is then recirculated, i. e. no air from outside the car is taken into the car when this function is activated. Recirculation (together with the air conditioning system) cools the passenger compartment more quickly in warm weather.

If you allow the air in the car to recirculate, there is a risk of icing and fogging, especially in winter. The timer function minimizes the risk of ice, misting and stale air.

Activate the timer function as follows:

- Press  for more than 3 seconds. The LED flashes for 5 seconds. The air recirculates in the car

for 3-12 minutes depending on the outside temperature.

- The timer function is activated each time you press  .

To switch off the timer function :

- Press  again for more than 3 seconds. The LED lights for 5 seconds to confirm your selection.

Recirculation is always disconnected when you select Defroster  .



Blower

Blower speed can be increased or decreased by turning the knob. If the knob is set to 0, the air conditioning function is automatically disengaged.



Temperature

Turn the control to set the temperature for the driver's and passenger's sides of the car. For cooler air, the air conditioning function must be engaged.








Air distribution

Use the air distribution control positions (marked with dots) between the different symbols to fine-tune air distribution for the maximum comfort.

pg. 56 Manual climate control with air conditioning, A/C

Air distribution

 Air through front and rear air vents.	When you want good cooling in warm weather.
 Defrost. Air is not recirculated in this position. Air conditioning is always connected. There is a certain amount of airflow to the air vents.	When you want to remove ice and fog from the windshield.
 Air to both floor and windows. There is a certain amount of airflow to the air vents.	When you want comfortable conditions and good demisting in cold weather!
 Air to floor. There is a certain amount of airflow to the air vents and the defroster vents for the windshield and side windows.	When you want to warm your feet.
 Air to floor and air vents.	In sunny weather with cool outside temperature.



[Contents](#) | [Top of Page](#)

**2 0 0 6
VOLVO
V70**

Chapter 4 - Interior

pg. 57 Interior

<u>Front seats (electrically operated)</u>	<u>58</u>
<u>Front seats (manually operated)</u>	<u>59</u>
<u>Storage compartments</u>	<u>61</u>
<u>Front storage compartments, coat hanger</u>	<u>63</u>
<u>Folding table in rear seat</u>	<u>64</u>
<u>Rear seat and cargo area</u>	<u>65</u>
<u>Cargo area</u>	<u>70</u>
<u>Securing cargo</u>	<u>71</u>
<u>Steel grid, cargo net</u>	<u>72</u>
<u>Nylon cargo net (XC70 with 3-section rear seat)</u>	<u>73</u>
<u>Cargo area cover, vanity mirrors</u>	<u>74</u>
<u>Spare tire</u>	<u>75</u>
<u>Auxiliary seat in cargo area, Extra handgrip - XC70</u>	<u>76</u>
<u>Interior lighting</u>	<u>77</u>

pg. 58 Front seats

Electrically operated seats (option)

Operation

Driver's seat:

The seat can be adjusted if the ignition key is in position I, II or if the engine is running.

It can also be adjusted as follows **with the ignition off**:

- Within 10 minutes after the driver's door has been unlocked from the outside and has been opened and remains open.
- Within 40 seconds, if the driver's door has just been closed.
- Within 40 seconds, if the driver's door has not been opened after the ignition has been switched off.

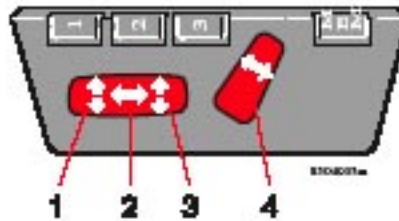
Passenger's seat:

The seat can only be adjusted if the ignition key is in position I, II or if the engine is running.

Seat adjustment

Adjust the power seat(s) with the controls at the side of the seat as follows:

- 1 Front edge of seat (raise/lower)
- 2 Forward - rearward
- 3 Rear edge of seat (raise/lower)
- 4 Backrest tilt



Power seat adjustment controls

NOTE: The power seats have an overload protector that activates if a seat is blocked by any object. If this occurs, switch off the ignition (key in position 0) and wait about 20 seconds before operating the seat again.

Emergency stop

If the seat accidentally begins to move, press any of the buttons to stop the seat.

NOTE: Please refer to the following page for information on programming the memory function in the driver's seat.

Remote keyless entry system and the driver's seat

The remote control transmitter also controls the position of the electrically operated driver's seat in the following way:

1. Adjust the seat to your preferences.
2. When you leave your vehicle, lock it using the remote control.

The position of the seat is now stored in the remote control.

Automatic seat adjustment

To move the seat to the position in which you left it:

1. Unlock the driver's door with the same remote control (the one used to lock the doors).
2. Open the driver's door within 2 minutes.

The driver's seat will automatically move to the position in which you left it.

NOTE:

- The seat will move to this position even if someone else has moved it to a different seating position and locked the car with a different remote control.
- This feature will work in the same way with all of the remote control transmitters (up to 3) that you use with your vehicle.
- This feature will not function if you lock your vehicle with the key.

WARNING!

- Because the driver's seat can be adjusted with the ignition off, children should never be left unattended in the car.
- Movement of the seat can be STOPPED at any time by pressing any button on the power seat control panel.
- Do not adjust the seat while driving. The seat should be adjusted so that the brake pedal can be depressed fully. In addition, position the seat as far rearward as comfort and control allow.
- The seat rails on the floor must not be obstructed in any way when the seat is in motion.

pg. 59 Front seats



Programming the driver's seat memory (option)*

Three different seating and door mirror positions can be stored in the driver seat's memory. The following example explains how button 1 can be programmed. Buttons 2 and 3 can be programmed in the same way.

To program (store) a seat position in button 1:

1. Move the seat to the desired position using the seat adjustment controls (see the previous page).
2. Press and hold down the MEM (memory) button.
3. With the MEM button depressed, press button 1 briefly to store the seat's current position.

To move the seat to the position that it was in when button 1 was programmed:

Press and hold down button 1 until the seat stops moving.

As a safety precaution, the seat will stop automatically if the button is released before the seat has reached the preset position.

* This option is only available on the driver's seat.



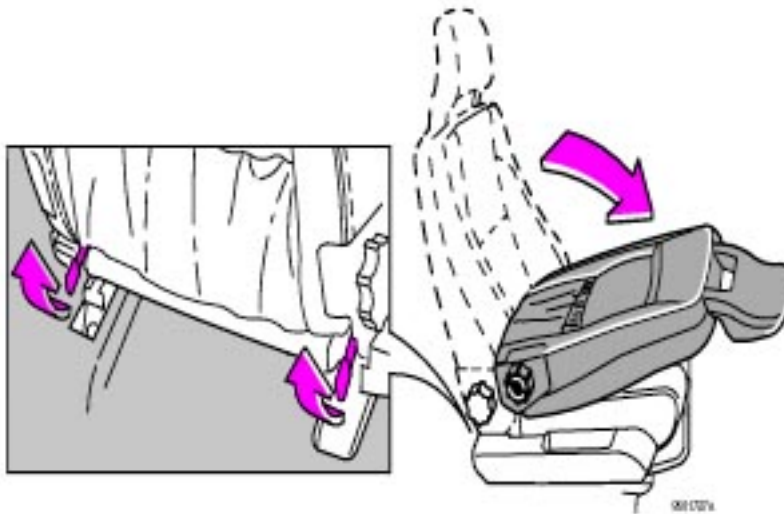
Manually adjusted front seats

1. Front-rear adjustment: lift the bar and move the seat to the position of your choice.
2. Raise/lower the front edge of the seat cushion (option): use the control to pump the front edge of the cushion up or down.
3. Raise/lower seat height: pump the seat up or down
4. Lumbar support: turn the control for firmer or softer lumbar support.
5. Backrest tilt: turn the control to adjust the angle of the backrest.
6. Control panel for optional power seat (see [page 58](#) for more information).

WARNING!

- Do not adjust the seat while driving. The seat should be adjusted so that the brake pedal can be depressed fully. In addition, position the seat as far rearward as comfort and control allow.
- Check that the seat is securely locked into position after adjusting.

pg. 60 Front seats

**Folding front seat backrest**

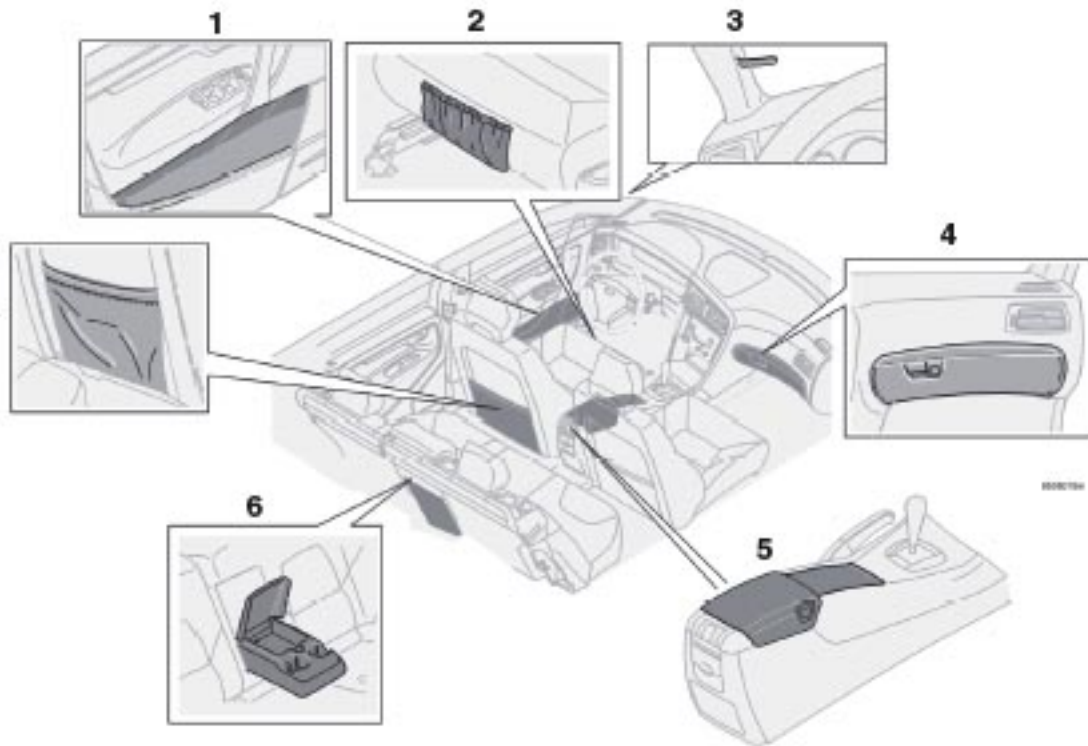
The passenger seat backrest can be folded down to the horizontal position for carrying long loads. To fold down the backrest:

- Move the seat as far rearward as possible
- Adjust the backrest tilt to the most upright position
- Lift the catches on the lower rear side of the backrest
- Without releasing the catches, push the backrest forward
- Move the seat as far forward as possible so that the head restraint slides under the glove compartment.

WARNING!

Cover sharp edges on the load to help prevent injury to occupants. Secure the load to help prevent shifting during sudden stops.

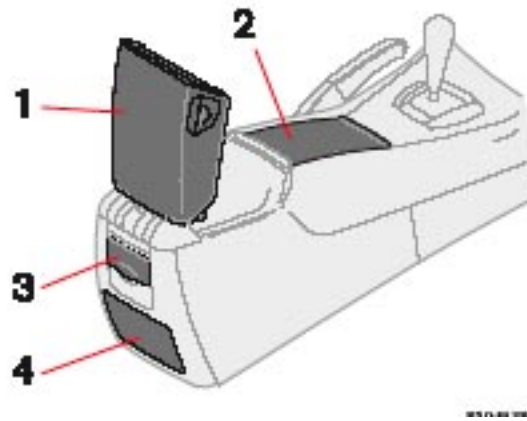
pg. 61 Storage compartments



1. Storage compartment in door
2. Storage pocket in edge of front seat
3. Ticket clip
4. Glove compartment
5. Storage compartment and cup holders in center console (see the following page for more information)
6. Storage space and cupholders in rear seat armrest
7. Storage pocket in rear side of front seats§

WARNING!

Make sure that no hard, sharp or heavy objects lie on or in any of the storage places where they might cause injury during heavy braking.



Storage compartments in the center console

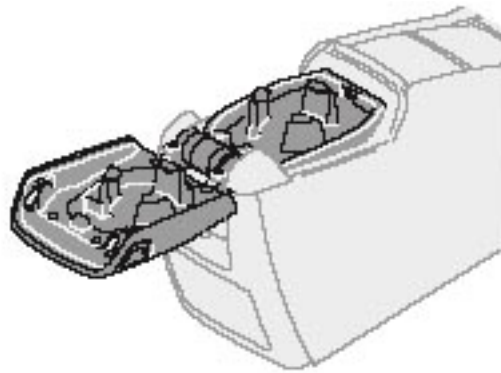
1. Storage compartment cover

2. Front storage compartment

This storage space is fitted with a sliding cover (not on XC70 models)

3. 12-volt socket

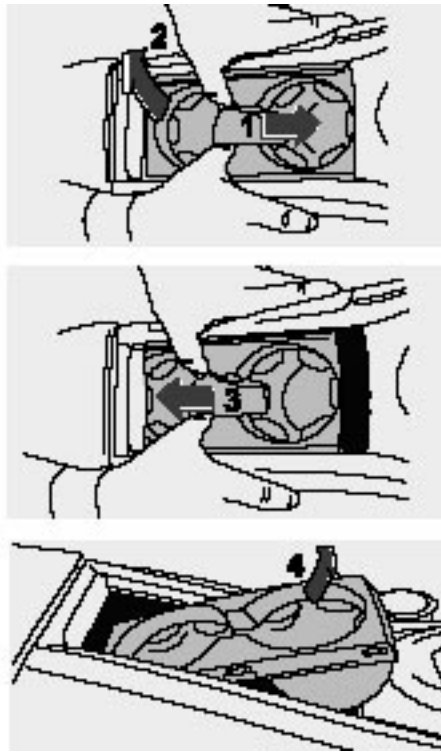
4. Space for accessory ashtray



Cup holder for rear seat passengers

- To access the storage compartment, press the button on the left side of the armrest and fold the entire cover rearward.
- To open the rear seat cup holder, press the button on the right side of the armrest. Fold the upper section of the cover rearward.

The two sections of the cover can be closed separately.



Removing the cup holder in the center console

pg. 63 Front storage compartments, Coat hanger

Cup holders in the center console-V70 (option)

To remove the cup holders:

- Press the cup holder forward (1), while lifting the rear edge (2).
- Move the cup holder rearward (3), into the groove under the sliding cover.
- Angle the front edge of the cup holder upward (4) and lift it out.

Return the cup holder to the storage space in the reverse order.

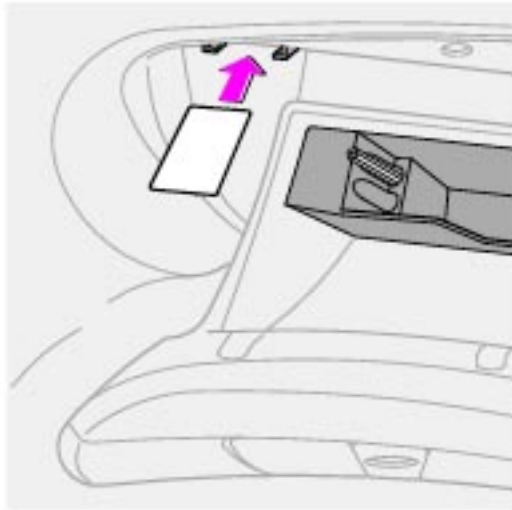
Cup holders in the center console XC70 (option)

To remove the cup holders:

- Grasp the rear edge of the cup holder and press in the rear side to release the rear edge.
- Pull up the cup holder's rear edge and the lift it out.

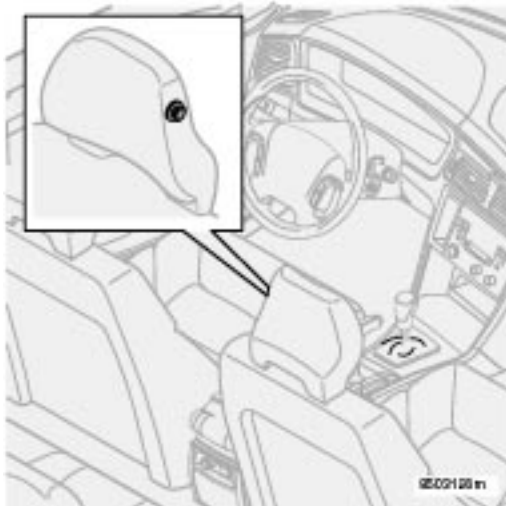
Return the cup holder to the storage space in the reverse order.

NOTE: Avoid pinching the parking brake gaiter.



Storage in the glove compartment

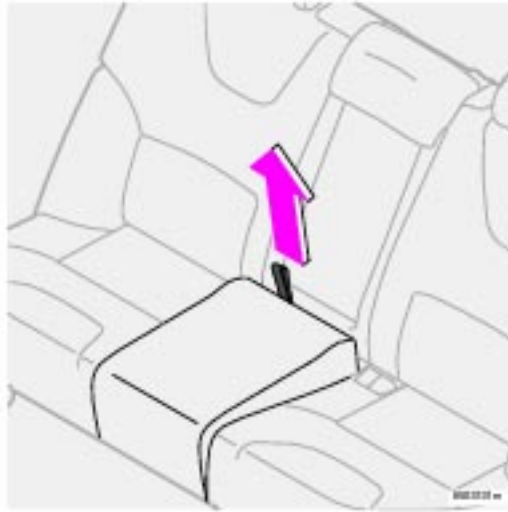
The glove compartment has storage spaces designed specifically to hold credit cards, pens, and pencils.



Coat hanger

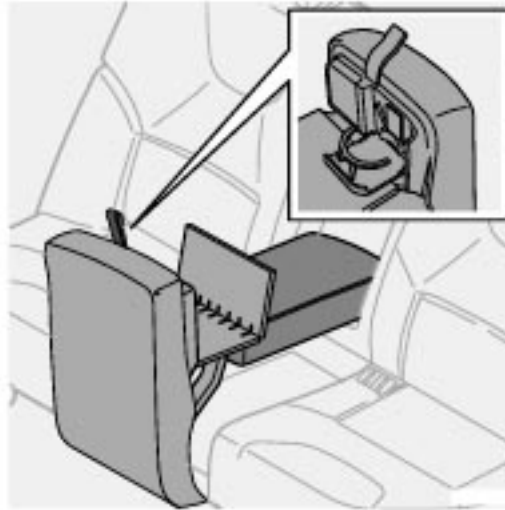
Use the coat hanger for light jackets, etc.

pg. 64 Folding table in rear seat

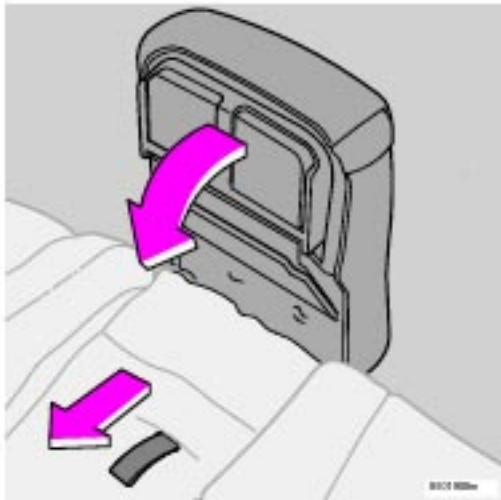


Folding Table (option)

Pull the tab and fold the table section forward.



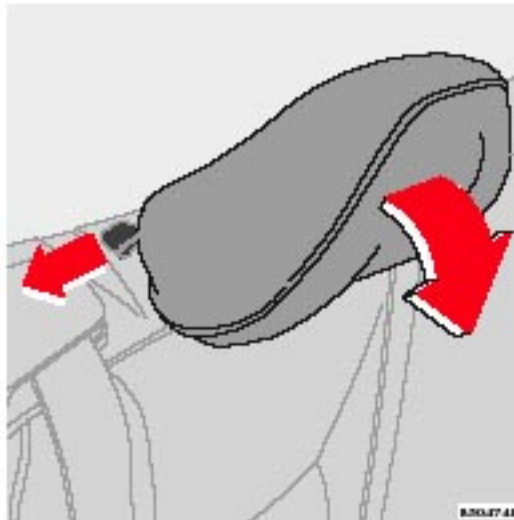
Fold the armrest in the backrest forward. Fold out the table so that it rests on the armrest. Press to release the cup holder. You do not have to fold the backrest forward, if you only want to use the cup holder.



To close: Fold the table section upward into place. Fold the arm under the table inward being careful not to pinch your hand. Pull the release and fold the table section back in place.



[Contents](#) | [Top of Page](#)



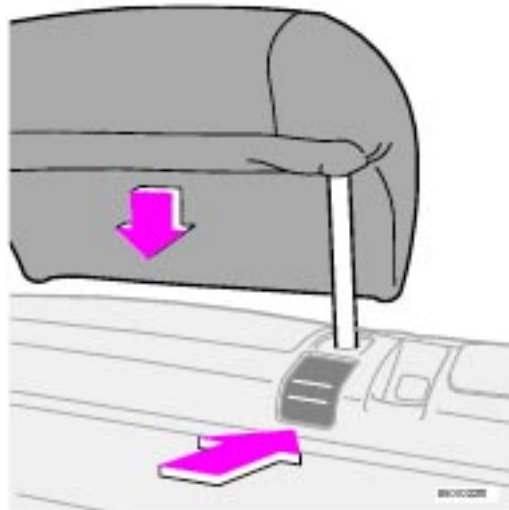
Folding down an outboard head restraint

Extension of cargo area

The rear seat is in two sections and each section can be folded forward separately.

Before the backrests are folded down:

- Adjust the front seat backrests into a more upright position if they are excessively reclined.
- Pull the rear seat cushion strap and pull the cushion forward against the front seat backrests.
- Fold down the outboard head restraint(s) by pulling the strap as shown in the illustration above.



Lowering the center head restraint

Center seat head restraint

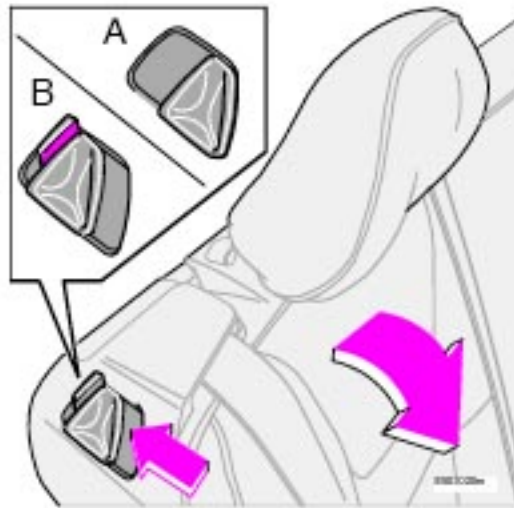
Models with 2-section rear seat

Lower the center seat head restraint if it is raised. Press the release button behind the right-hand support. See illustration above.

Folding the outboard backrests down Models with 2 or 3-section rear seat

Press the backrest catch to the rear and tip the backrest forward. See the illustration below.

- A - Catch in closed position.**
- B - Catch in open position.**

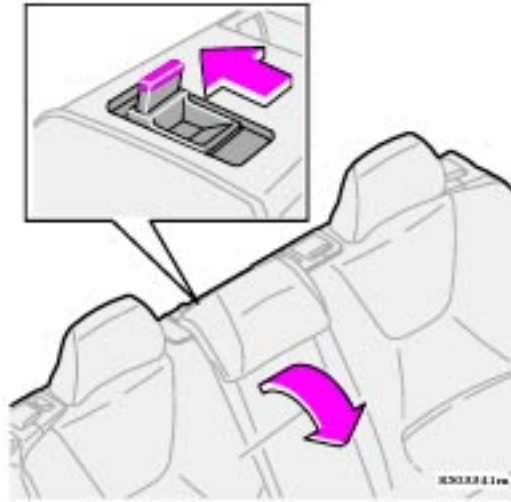


Tipping an outboard backrests forward

WARNING!

The **red lock indicator** is **VISIBLE (B)** when the backrest is **NOT** locked in position and **not visible (A)** when the backrest is correctly locked in place. When the backrest is in the upright position, it must always be correctly locked in place.

When the rear seat is folded down, do not place heavy objects against the backs of the front seats. This places a severe strain on the folded down backrest of the rear seat. Be sure to secure cargo. Cargo must not be stacked higher than the top of seatbacks. This will reduce the possibility of luggage, etc. becoming projectiles during sudden maneuvers, rapid braking or an accident.

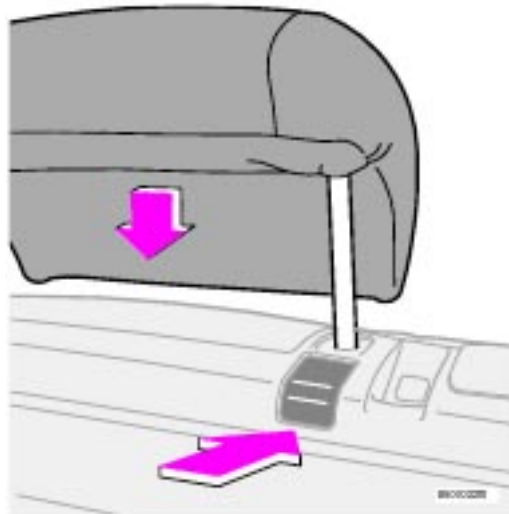


Folding down the center section of the backrest XC70 with 3-section rear seat

To fold down the center section of the backrest (without folding down either of the outboard sections): Lower the head restraint. Press the center section backrest catch to the rear and tip the backrest forward.

WARNING!

The backrest must be securely locked when it is returned to the upright position. The word "UNLOCKED" on the lock indicator should not be visible.



Center head restraint release button

Center head restraint (rear)

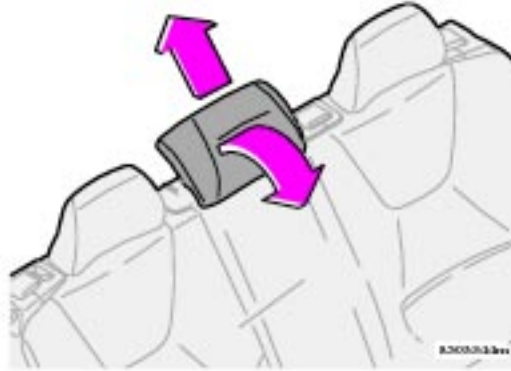
The center head restraint can be adjusted according to the passenger's height. The restraint should be carefully adjusted to support the occupant's head.

To raise: Pull up to the desired height.

To lower: Press the release button behind the right-hand support while pressing down the head restraint to the desired position.

XC70 with the optional 3-section rear seat only

To lower: Pull the head restraint slightly forward and press down.

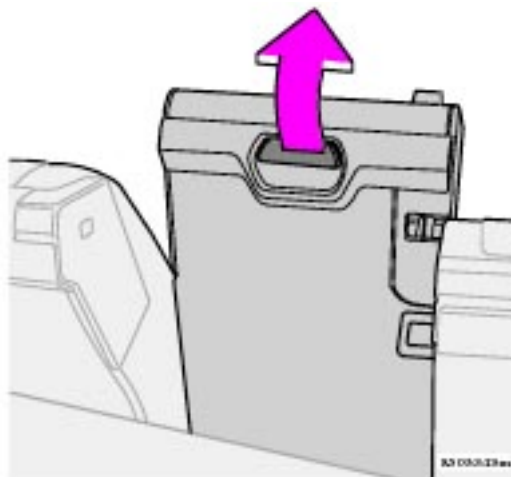


Adjusting center head restraint height-XC70 with optional 3-section rear seat

WARNING!

- Please note that the lowest head restraint position is only intended for use when the backrest is to be folded down, or when the seat is not occupied.
- The head restraint is intended to help protect the head/neck in a collision. Ensure that it is properly adjusted for the occupant of the seat.

pg. 67 Rear seat and cargo area



Removing the center backrest XC70 with 3-section rear seat

- Press the button at the top of the center section to the rear to release the locking mechanism.
- Fold the backrest section slightly forward.
- Pull up on the handle at the upper rear side of the backrest (see illustration above) to release this section of the backrest from the retaining bar at the base of the backrest. Lift out the backrest.

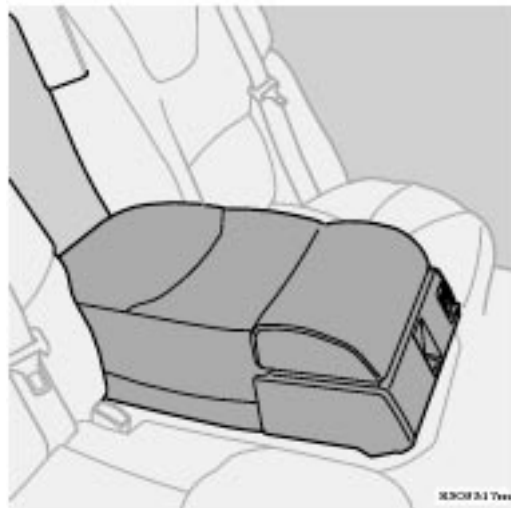
Replacing the center backrest

- Before the center section is put back in place, the right section of the backrest must be locked in the upright position.
- Replace the backrest by pressing the bottom section onto the retaining bar until the backrest clicks into place.

Please consult your Volvo retailer for information about accessory equipment that can be placed in the center section of the backrest.

WARNING!

- For safety reasons, the center section of the backrest or seat cushion should not be left in the car after they have been removed.
- Please be aware that with the center section of the backrest removed, unanchored objects in the rear cargo area could be thrown forward between the outboard sections of the backrest in the event of a sudden stop.
- When the center section of the backrest is put back in place, the right-hand section of the backrest must be in the upright position in order to lock the center section securely in place and to be able to use the center seat belt.



Center armrest

Center armrest

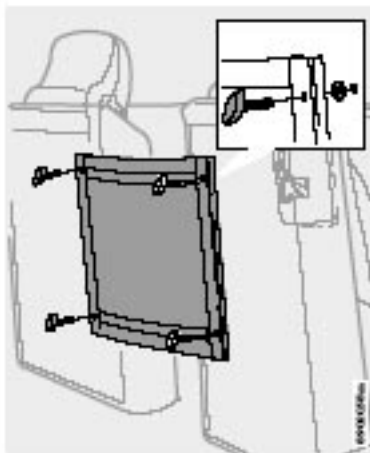
XC70 with 3-section rear seat

The center backrest can be reversed and used as an armrest.

- Remove the center backrest as described above.
- Turn the backrest so that the front side faces up (see illustration above).
- Press the backrest back onto the retaining bar until it locks in place.

To return the backrest to its normal position, pull the handle (which is now at the front, on the underside) to release the backrest from the retaining bar. Return the backrest to the normal position as described above.

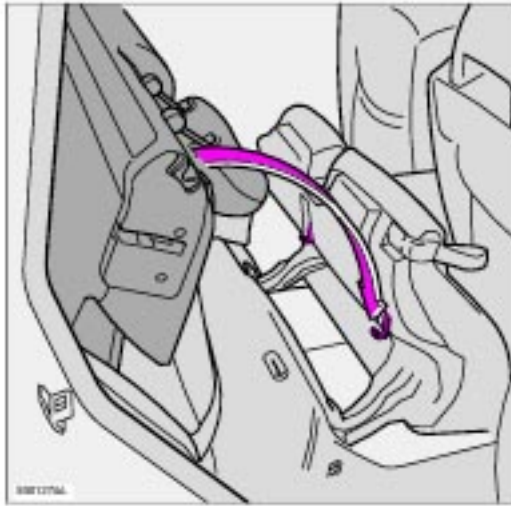
pg. 68 Rear seat and cargo area



Partition with storage pockets (accessory)

XC70 with the optional 3-section rear seat A partition with storage pockets is available as an accessory on V70 models with a 3- section rear seat. This partition can help prevent objects in the cargo area from being thrown forward when the center section of the backrest is not in the upright position. Please refer to the installation instructions that are included with the partition or consult your Volvo retailer.

pg. 69 Rear seat and cargo area



NOTE: Make sure that the holes in the plastic ferrules on the top of the backrest engage the hooks on the bottom of the seat cushion. When you later raise the backrest and seat cushion, the head restraints must be returned to their normal positions.

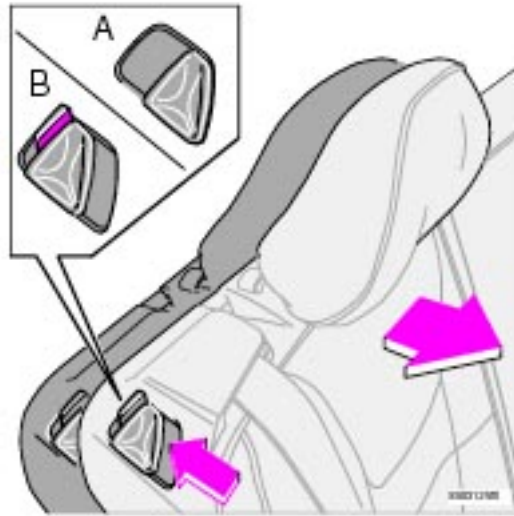


Removing the seat cushion Models with 2 or 3-section rear seat

Pull up the seat by the handle. Unlock the two red locking tabs. Lift out the seat. When replacing, do everything in reverse order. Make sure the red locking tabs are in a locked position.

WARNING!

The **red lock indicator** is **VISIBLE (B)** when the backrest is **NOT** locked in position and not visible **(A)** when the backrest is correctly locked in place. When the backrest is in the upright position, it must always be correctly locked in place.



*A - Catch in closed position.
B - Catch in open position.*

Rear seat backrest

You can adjust the angle of the rear seat backrests. To adjust a backrest to a more upright position:

- Press the catch until the red mark is visible.
- Pull the backrest forward to a new locked position.
- Make sure that the backrest is secured in a locked position and that the red mark is no longer visible.

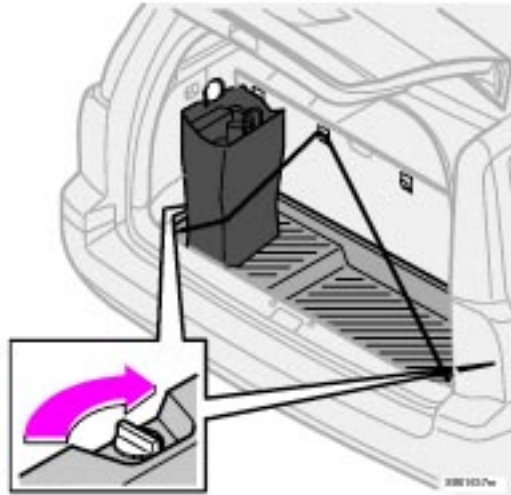
Follow the same procedure to adjust the backrest to a less upright position.

pg. 70 Cargo area



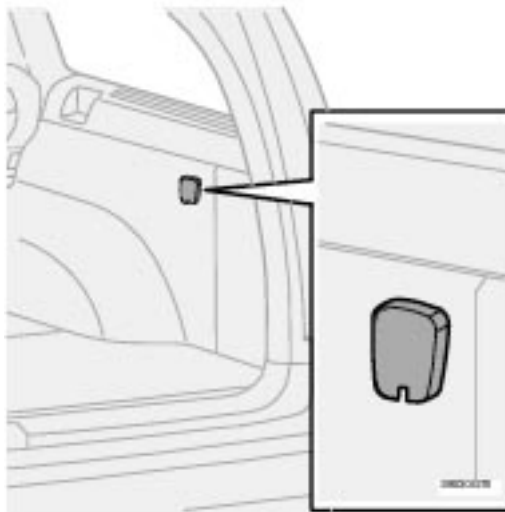
Cargo area lighting

An extra roof lamp is fitted at the end of the cargo area.



Holder for grocery bags (option)

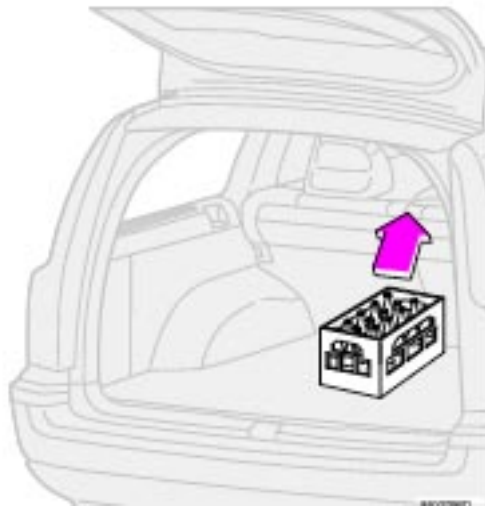
Open the tailgate. Hang or secure your grocery bags by means of tensioning straps or holders. To remove the plastic tray (option), turn the two knobs at the sides.



Auxiliary 12 Volt socket in cargo area (option)

Fold down the cover when you want to use the electric socket.

NOTE: The socket is live whether the ignition is switched on or off. Using the socket without the engine running can drain your car's battery.



Securing cargo

As a safety precaution, your car is equipped with four eyelets in the cargo space to which straps can be attached to secure luggage.

WARNING!

The eyelets are not to be used as passenger restraints or as anchorages for child restraints.

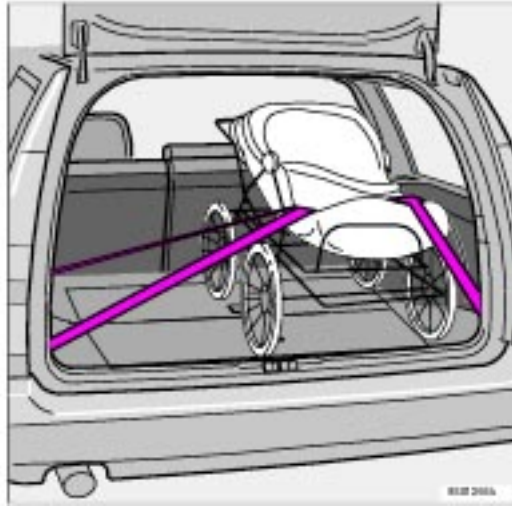
Unless the car is equipped with an optional Volvo auxiliary seat for children, passengers should not ride in the rear cargo area.

Remember that a 44 lbs object produces a force of 2,200 lbs in a head-on collision at 30 mph!



Auxiliary seat

If an auxiliary seat is installed in the vehicle, store the seat before loading cargo. The auxiliary seat is not designed to carry or restrain cargo.

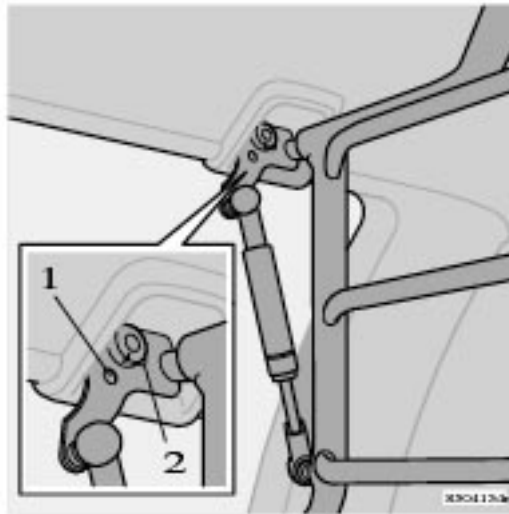


Remember the following when loading the car:

- The load carrying capacity of your vehicle is determined by factors such as the number of passengers, the amount of cargo, the weight of any accessories that may be installed, etc. See the section "Vehicle loading" in the chapter "Wheels and tires" for more detailed information.
- Load the cargo **against** the backrest.
- Load heavy cargo as low as possible.
- Load wide cargo on either side of the rear seat split.
- If no one is sitting in the rear seat, reinforce the backrest by fastening the rear seat belts.
- Never load cargo above the backrest without a cargo net.

WARNING!

When the rear seat backrest(s) are folded down, the car should not be loaded to a level higher than 2 in. (5 cm) below the upper edge of the rear passenger door windows. Objects placed higher than this level could impede the function of the inflatable curtain.



Steel grid

Steel grid (accessory)

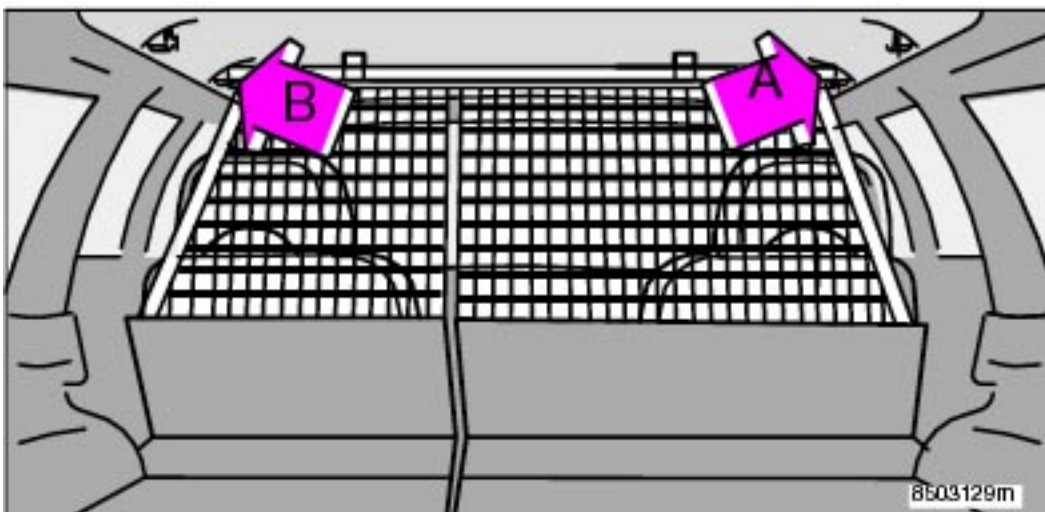
To remove the steel grid:

1. Fold down the entire rear seat backrest.
2. Press and turn the knobs on opposite ends of the steel grid with a torx screwdriver until the marks on the knobs are aligned with red dots (1 in the inset illustration above).
3. The steel grid is spring loaded. Push the grid toward the left (driver's) side of the car to release it from the retaining bracket on the opposite side. Keep the grid straight when performing this step so that it does not become wedged in place.
- 4 Pull the opposite end of the grid out the retaining bracket.

WARNING!

When the steel grid is installed, make sure that the marks on the knobs are aligned with the green dots (2 in the inset illustration above), which indicates that the grid is locked in place.

To install the steel grid, perform the steps in the reverse order.



Cargo net

Cargo net (option on V70) Models with 2-section rear seat

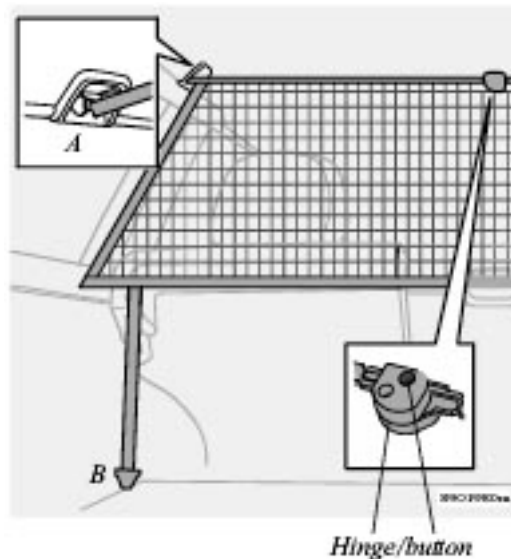
Your car can be equipped with a cargo net made of strong nylon fabric that can be unrolled from the rear seat backrest. After being unrolled, the cargo net self-locks after about a minute.

- Pull up the right-hand cargo net.
- First hook the rod in the bracket on the right-hand side (A). Then pull the rod out and hook it on the left-hand side (B).
- Pull up the left-hand cargo net and secure it to the rod.
- To remove, proceed in reverse order.

NOTE: Make sure that the cargo net is securely fastened in the hooks. To remove, proceed in reverse order.

The cargo net can also be used when the rear seat is folded forward.

pg. 73 Nylon cargo net (XC70 with 3-section rear seat)



Nylon cargo net (option on XC70)

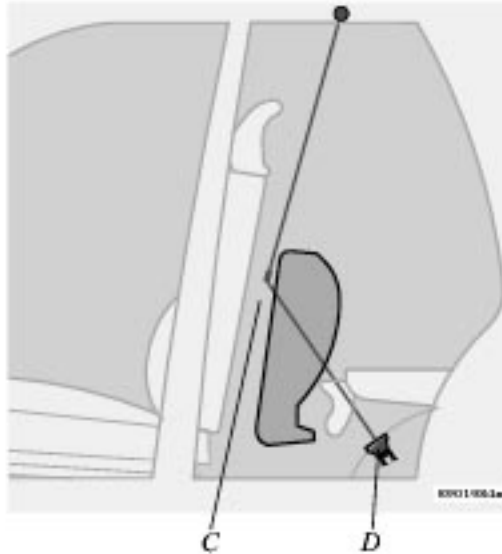
The Volvo XC70 can be equipped with a cargo net made of strong nylon fabric that can be installed with the rear seat backrests in the upright position or folded down.

The upper and lower rods of the cargo net are hinged. If the cargo net is folded, fold the rods until they are straight and lock in position.

- Insert the end of the upper rod in the bracket A, near the ceiling liner in the cargo area if the rear seat

backrests are up or in the brackets above the rear passenger doors if the backrests are folded down.

- Insert the opposite side of the rod in the upper bracket on the opposite side.
- Attach the lower straps to the eyelets on opposite sides of the rear cargo area (if the rear seat backrest is upright), or to the eyelets near the base of the rear seat, *D* (if the backrest sections are folded down and the upper rod has been attached to the forward brackets). Adjust the straps to pull the net taut.



WARNING!

The nylon cargo net must not be used when the optional rear-facing auxiliary child seat in the cargo area is in use.

When not in use, the cargo net should not be stored unattached in the car to prevent it from being thrown forward in the event of a sudden stop, etc.

CAUTION:

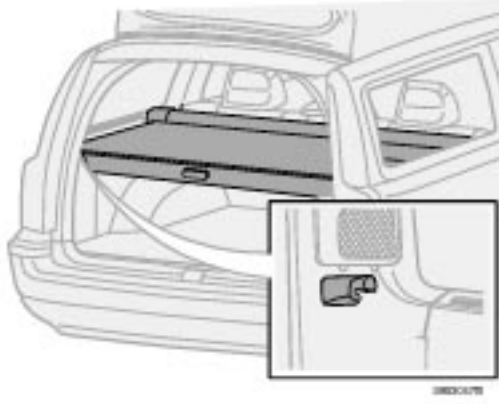
- If the net is installed in the forward position and the rear seat cushions are folded forward, the net should be positioned so that it is in front of the rear seat cushions but behind the front seat backrests (C).
- The eyelets on the floor of the car under the front seats must not be used to secure the lower straps of the cargo net. If these eyelets are used and the front seats are moved back, the cargo net or upper brackets may be damaged.

Folding and storing the cargo net

The cargo net can be folded and stored under the floor of the cargo area on cars not equipped with the optional auxiliary rear-facing child seat or the optional bass speaker.

Press the buttons on the hinges at the center of the upper and lower rods. This releases the hinges so that the net can be folded.

pg. 74 Cargo area cover, Vanity mirrors



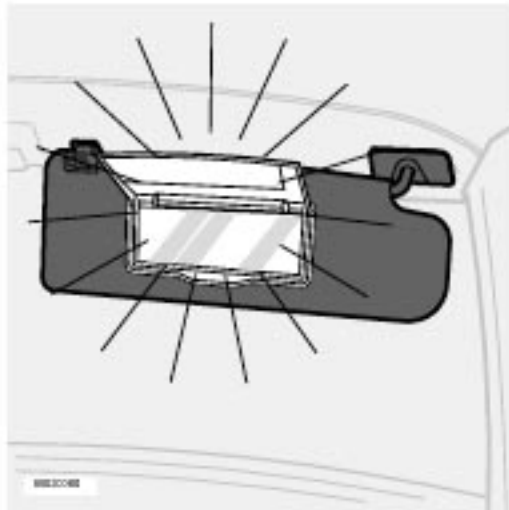
Cargo area cover*

Withdraw the cargo area cover, pull it over the luggage compartment and hook it in the holes in the rear cargo area pillars.

Removing the cargo area cover:

- Press the end pieces of the cargo area cover inward, pull up and remove.
- To fit in place: Press the end pieces of the cargo area cover down into the holders.

NOTE: The cargo area cover must be removed before the optional auxiliary seat in the cargo area (see [page 76](#)) is used.



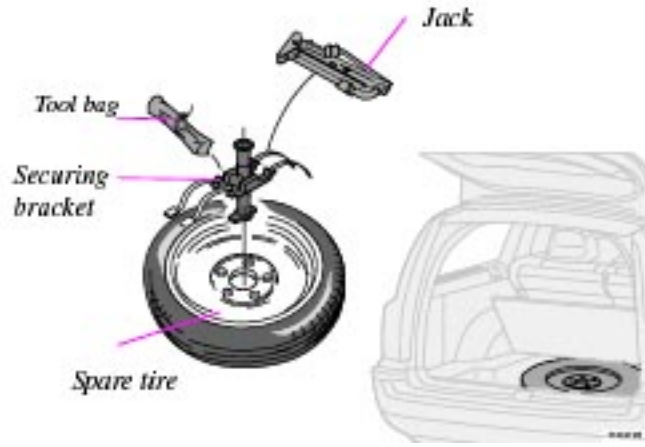
Vanity mirror

Vanity mirrors

Both sun visors are equipped with lighted vanity mirrors. The light comes on when the cover is opened.

*Not available on models equipped with the optional cargo area auxiliary child seat.

pg. 75 Spare tire



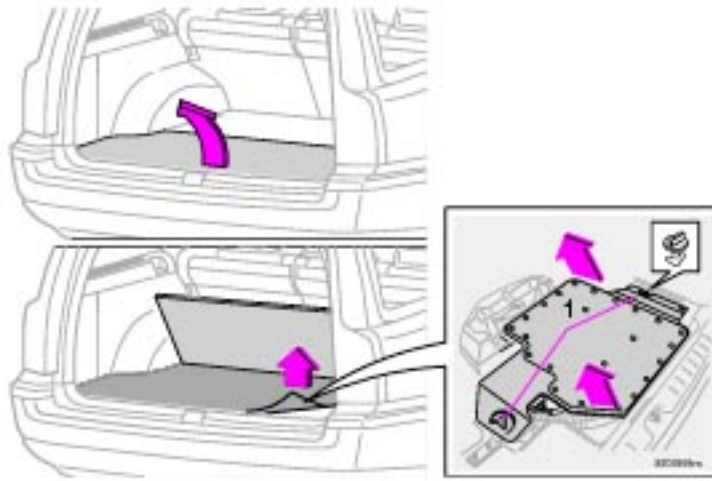
Spare tire

The spare tire, jack and tool bag are located under the floor of the cargo space. To access the spare tire:

- Remove the rear hinged floor panel by raising it approx. 6 inches (15 cm) and then pulling it backwards out of the cargo area.
- Unscrew and remove the accessory plastic floor tray (if fitted).
- Unstrap and lift out the jack and tool bag.
- Unscrew the securing bracket and remove the spare tire from the storage well.
- When putting the tire back into the well, perform these steps in reverse order. Make sure the spare tire, jack and tool bag are properly secured.

WARNING!

Make sure that the spare tire, jack and tool bag are properly secured with the securing bracket and strap to help keep these components in place in the event of a sudden stop.

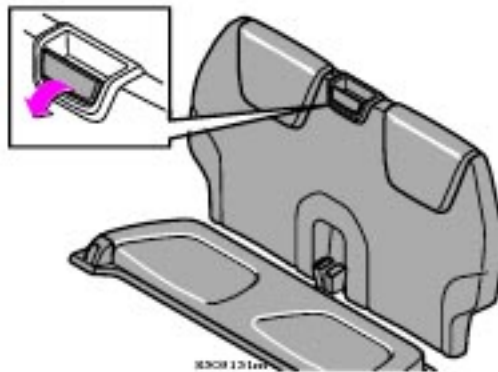


Spare tire, tool bag, jack - cars with subwoofer (option)

The spare tire, jack and tool bag are located under the floor of the cargo space in a compartment in front of the spare tire. To access the spare tire:

- Remove the rear hinged floor panel by raising it approx. 6 inches (15 cm) and then pulling it backwards out of the cargo area.
- Raise the other floor panel to upright position and lock it there.
- Remove the mat.
- Loosen the wheel and turn the clip 90°.
- Lift the subwoofer inwards-upwards with both hands and tilt it leftwards.
- Unstrap and lift out the jack and tool bag.
- Unscrew the securing bracket and remove the spare tire from the storage well.
- When putting the tire and subwoofer back into place, perform these steps in reverse order. Make sure the spare tire, jack, tool bag and subwoofer are properly secured.

pg. 76 Auxiliary seat in cargo area, Extra handgrip - XC70



Auxiliary seat (option)

If all the seats are occupied, a rear-facing auxiliary seat in the cargo area can be used. This seat is designed for two children, each weighing between 50 - 88 lbs. (23 - 40 kg) with a total seat capacity of

176 lbs. (80 kg) and up to 55 inches (140 cm) in height.

Raising

Remove the cargo area cover, if installed, from the car. Raise the backrest section forward until it locks in place.

Flip the seat cushion over.

Lowering

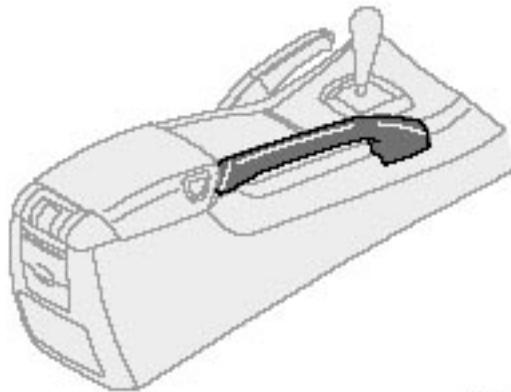
Flip the seat cushion back into storage position.

Pull the release handle and lower the backrest to storage position.

WARNING!

- If your car is equipped with an auxiliary seat (option or accessory), the tailgate must be fitted with a lock cylinder. Unlocking from the outside can then be carried out in the usual way (key in driver's door and/or remote control) and also by using the key in the tailgate.
- Both rear seat backrests must be up when the auxiliary seat is being used. Do not use a booster cushion or child seat in conjunction with the auxiliary seat.
- The luggage net should be retracted.
- The child safety lock in the tailgate should be on to prevent children from inadvertently opening the tailgate from the inside.

NOTE: If you have locked the car with the remote control and if you then afterwards use a key in the tailgate's lock cylinder (certain models) to unlock the tailgate only, the alarm will sound. See [page 84](#) for information on turning off a sounding alarm.



85049*

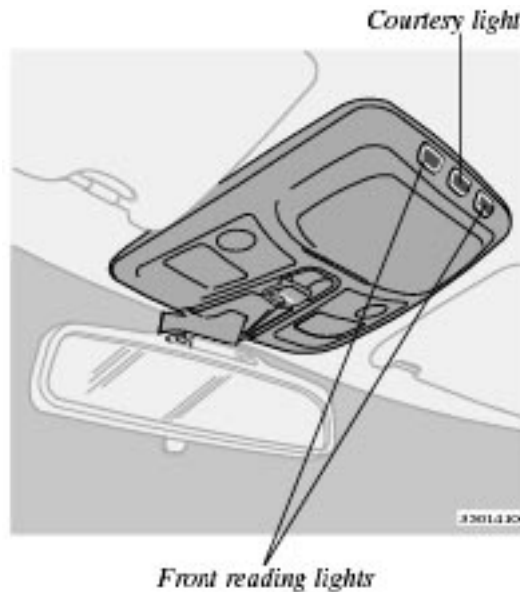
Extra handgrip

The Volvo XC70 is equipped with an extra handgrip on the front passenger's side. This handgrip can be used for added support when travelling on unpaved roads, etc.

WARNING!

The handgrip may become very warm when the vehicle has been parked in strong sunlight.

pg. 77 Interior lighting



Courtesy light

The courtesy light can be turned on or off by pressing the button. The light also has a timer function which turns the light on for 30 *seconds* if:

- You unlock the car from the outside with the key or remote control.
- You switch off the ignition (turn the key to position 0).

The courtesy light stays on for 10 *minutes* if one of the doors is left open after the car is unlocked.

The courtesy light switches off if:

- The engine is started.
- The car is locked from the outside with the key or remote control.

The interior courtesy light can be switched on or off at any time by pressing the center button in the panel above the rearview mirror. When switched on with the engine off, the light will stay on for 10 minutes. When switched on with the engine running, the light will stay on indefinitely. The light may be

switched off at any time by pressing the center button a second time.

The courtesy light timer periods can be changed. Consult your Volvo retailer.

Overriding the Interior Courtesy Lights

Normally if a car door is left open with the engine turned off, the interior courtesy light will stay on for 10 minutes.

If a car door is left open or the interior courtesy lights are turned on while the engine is left running, the interior courtesy lights will stay on indefinitely.

At times, you may wish to be assured that the courtesy lights will stay off regardless of door or tailgate position.

To switch off the interior and tailgate courtesy lights indefinitely, press and hold the center button in the panel above the rearview mirror for 3 seconds. The courtesy lights will go off and remain off until the center button is pressed again.



Rear reading lights

Reading lights - front/rear

The reading lights can be switched on or off by pressing the respective buttons. These lights switch off automatically after 10 minutes if the engine is not running. If the engine is running, the lights stay on indefinitely. The lights can be switched off at any time by pressing the button.

pg. 78 This page intentionally left blank



[Contents](#) | [Top of Page](#)

2006 VOLVO V70

Chapter 5 - Keys, Locks, Alarm

pg. 79 Keys, Locks, Alarm

Keys, Immobilizer 80

Remote keyless entry system 81

Unlocking the tailgate, Central locking
buttons 83

Alarm 84

Child safety locks - rear doors 86

pg. 80 Keys, Immobilizer



Keys

Two types of keys are provided with your car; master keys and a service key. The master key, the remote control, and the central locking button may all be used to lock and unlock all of your car's locks.

The service key operates the driver's door and the ignition switch. It will also fit the tailgate lock cylinder on models outfitted with a factory installed third seat. The service key is intended to help deter unwanted entry into the glove compartment.

Turn the key once to unlock the driver's door and the fuel filler door.

Turn the key again (within 10 seconds) to unlock all doors and the tailgate.

One turn with the key towards lock in the drivers door locks all doors and tailgate.

Use the switch on the front door armrests to lock/unlock the car from the inside.

WARNING!

If the doors are locked while driving, this may hinder rapid access to the occupants of the car in the event of an accident. (Also see information on "Child safety locks").

NOTE: To help prevent accidentally locking the keys in the car, the central locking system is designed to unlock the doors immediately if the key is left in the ignition switch, the car is locked using the lock button on the door and the door is then closed. **A sound from the lock will be audible at this time.**

Please note that this function will not unlock the doors if the engine is running.

Immobilizer (start inhibitor)

Each of the keys supplied with your car contains a coded transmitter. The code in the key is transmitted to an antenna in the ignition switch where it is compared to the code stored in the start inhibitor module. The car will start only with a properly coded key.

Each key has a unique code, which your Volvo retailer uses if new keys are required. A maximum of six remote controls/keys can be programmed and used for one car.

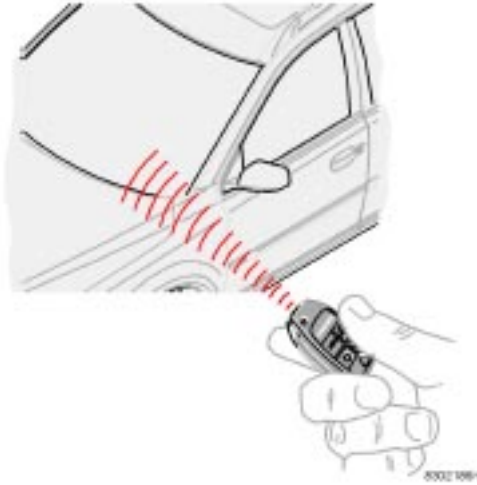
If you misplace a key, take the other keys to an authorized Volvo retailer for reprogramming as an anti-theft measure.

*This key operates only driver's door and ignition switch/steering wheel lock.

This device complies with part 15 of the FCC rules. Operation is subject to the following condition: (1) This device may not cause harmful interference, and (2) this device must accept any interference

received, including interference that may cause undesired operation.

pg. 81 Remote keyless entry system



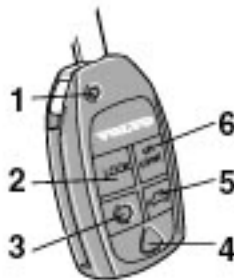
Remote keyless entry system

Your car is equipped with two coded remote control transmitters with integrated ignition keys called Key Integrated Remote (KIR). These transmitters use a radio frequency that will enable you to lock/unlock all doors and the tailgate from a distance of 10-15 feet (3-5 meters).

The transmitters will also activate or allow "keyless" entry into the passenger compartment or the tailgate. They will also activate or deactivate the vehicle's alarm system(s).

The car can also be locked/unlocked with the key.

If one of the transmitters is misplaced, contact your nearest authorized Volvo retailer for replacement.



Buttons in remote control

1 - Fold key in/out, 2 - Lock, 3 - Approach lighting
4 - "Panic" function *, 5 - Unlock tailgate, 6 - Unlock

Using the remote control

Button 1: Press to extend the key. This button must also be pressed when the key is folded back into the slot in the side of the remote control unit.

Button 2 (Lock): Press once to lock all doors, and the tailgate.

Button 3 (Approach lighting): Press this button when approaching the car at night to light up the interior courtesy light, parking lights, license plate lights and the lights in the sideview mirrors.

Button 4 (Panic): See [page 84](#) for more information on this function.

Button 5 (Tailgate unlock): Press this button twice within 3 seconds to unlock the tailgate (without unlocking the other doors).

Button 6 (Unlock): Press this button once to unlock the driver's door only. Wait for at least 1 second and press the button again (within 10 seconds) to unlock all doors, and the tailgate.

NOTE:

- If the doors are unlocked with the remote, the locks will automatically reengage (re-lock) and the alarm will reset after 2 minutes unless a door has been opened.
 - The lock/unlock and alarm features can also be utilized by using the keys.
-

FCC ID:LQNP2T-APU

This device complies with part 15 of the FCC rules. Operation is subject to the following conditions: (1) This device may not cause harmful interference, and (2) this device must accept any interference received, including interference that may cause undesired operation.

Canadian 2306104388

Model 504 2927 by Donnelly

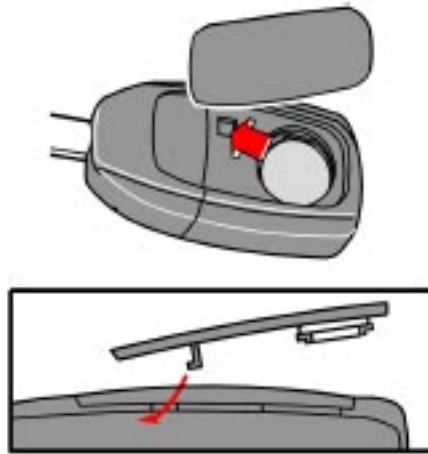
Operation is subject to the following conditions: (1) this device may not cause interference, and (2) this device must accept any interference, including interference that may cause undesired operation of the device.

Canadian 2306104388A

Model 509 977 by Connaught Electronics

Operation is subject to the following conditions: (1) this device may not cause interference, and (2) this device must accept any interference, including interference that may cause undesired operation of the device.

pg. 82 Remote keyless entry system



Remote keyless entry system - replacing batteries

If the range of the transmitter is noticeably reduced, this indicates that the battery is weak and should be replaced.

To replace the battery

- Remove the cover by carefully prying up its rear edge with a small screwdriver
- Replace the battery with a new 3-volt, CR 2032 battery. The battery should be inserted with the plus side upward. Avoid touching the contact surfaces of the battery with your fingers.
- Press the cover back into place. Ensure that the rubber seal seats correctly to help prevent moisture from entering the unit.

NOTE: The old battery should be disposed of properly at a recycling center or at your Volvo retailer.

WARNING!

Volvo does not recommend using the transmitter to lock the doors from inside the car. The alarm would be activated and would sound when one of the doors is opened. The doors must not be locked using the remote transmitter while the vehicle is occupied. In case of an accident, this may hinder rapid access to the occupants of the vehicle. The alarm will also sound.

pg. 83 Locking and unlocking the car

Unlocking the tailgate

The tailgate lock is incorporated in the central locking system and is locked or unlocked when the driver's door is locked/unlocked.

The tailgate can be unlocked by:

- Pressing UNLOCK on the remote control twice.
- Using the central locking button on the driver's door.
- Pressing **twice** on the remote control's tailgate unlock button (see illustration on [page 81](#)).
- Relock the tailgate using the remote's "Lock" button.

Automatic relocking:

If you use the tailgate unlock button to unlock the tailgate without opening it, it will automatically relock after approximately 2 minutes.

NOTE: Please be aware that if the tailgate is unlocked using the tailgate unlock button, opened, and closed again, it will **remain unlocked** and the alarm will not be rearmed.

Press the lock button on the remote control to relock the tailgate and rearm the alarm.



Central locking buttons

Central locking buttons

These buttons (located on the both front door armrests) can be used to lock/unlock all doors and the tailgate and set the alarm.

The rear passenger doors can also be locked and unlocked with the individual lock buttons on each door.

pg. 84 Alarm

Alarm

The alarm is automatically armed whenever you lock your car. When armed, the alarm continuously monitors a number of points on the car. The following conditions will set off the alarm:

- The hood is forced open.
- The tailgate is forced open.
- A door is forced open.
- The ignition switch is tampered with.
- If there is movement in the passenger compartment (if the car is equipped with the optional movement sensor).
- The car is lifted or towed (if the car is equipped with the optional inclination sensor).
- The battery is disconnected (while the alarm is armed).

Arming the alarm

Press the LOCK button on the remote control, lock the car using the key in the driver's door or press the central lock button on one of the front doors with the door open. One long flash of the turn signals will confirm that the alarm is armed.

Disarming the alarm

Press the UNLOCK button on the remote control or unlock the doors with the key.

Turning off (stopping) the alarm

If the alarm is sounding, it can be stopped by pressing the UNLOCK button on the remote control or by unlocking the driver's door with the key.

Visual alarm signal

The visual alarm signal is given by flashing all turn signals and turning on the interior lighting for approximately 5 minutes.

Audible alarm signal

An audible alarm signal is given by a battery powered siren. One alarm cycle lasts for 25 seconds.

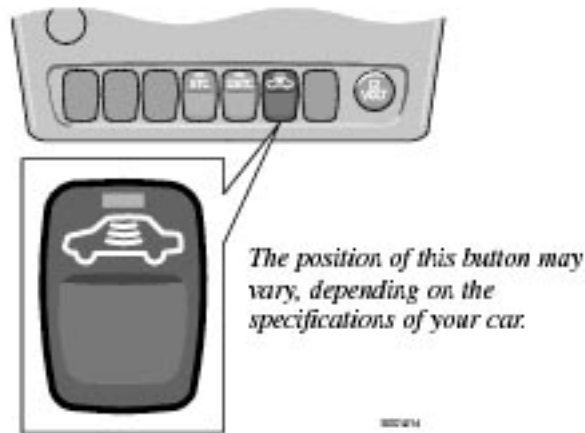
"Panic" button

In an emergency situation, this feature can be used to attract attention. Activate the "panic" function by pressing the red button on the remote control (see illustration on [page 81](#)) for at least 3 seconds or by pressing this button twice within 3 seconds. The turn signals will flash, the interior lights will go on and the car's horn will sound.

The function can be turned off by pressing any of the buttons on the remote control or will stop automatically after 25 seconds. When a button is pressed, there is a 5 second delay before the panic alarm is deactivated.

NOTE: This function will **NOT** unlock the car.

pg. 85 Alarm



Temporarily turning off the inclination and movement alarm sensor(s) - accessory

This button will only be found in cars equipped with the accessory inclination and/or movement sensors.

FCC ID: MAYDA5823

This device complies with part 15 of the FCC rules. Operation is subject to the following conditions: (1) This device may not cause harmful interference, and (2) this device must accept any interference received, including interference that may cause undesired operation.

Canadian IC: 4405A-DA5823

Movement sensor DA5823 by Dynex

Operation is subject to the following conditions: (1) this device may not cause interference, and (2) this device must accept any interference, including interference that may cause undesired operation of the device.

In certain situations it may be desirable to turn off the inclination and movement alarm sensors if, for example, you drive your car onto a ferry where the rocking of the boat could trigger the alarm or if a pet is left in the car with the doors locked.

To temporarily turn off the inclination and movement alarm sensors from the alarm system:

From the time the ignition key is turned from the Drive position (position II) until you lock the car, you can press the button in the center console. The LED in the switch will light up and a message will be displayed in the text window to indicate that the sensors are disconnected.

The car can then be locked in the usual way to set the alarm.

NOTE:

- This function will not turn off the vehicle's standard alarm.
- The optional sensors are automatically reconnected to the alarm system the next time the car is unlocked and then locked again.

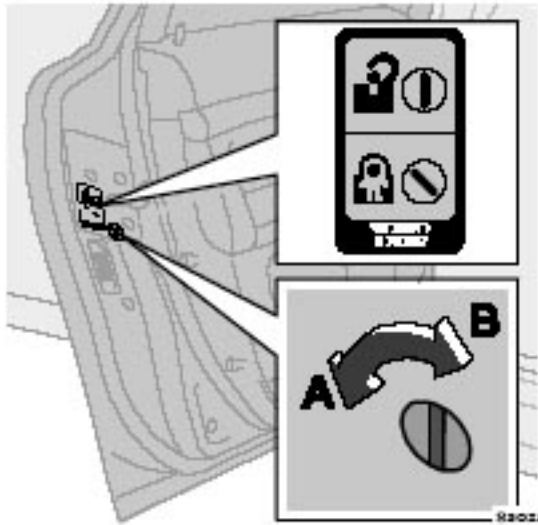
LED alarm status signals

The status of the alarm system is indicated by the red LED at the top of the dash:

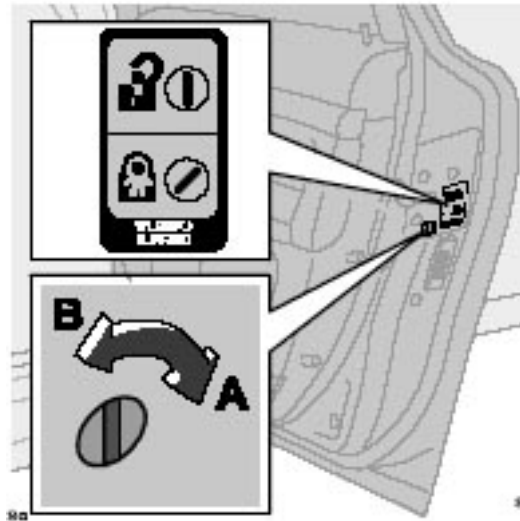
- LED off - the alarm is not armed
- LED flashes once per second - the alarm is armed
- LED flashes rapidly before the ignition is switched on - the alarm has been triggered
- **Fault in the alarm system:** If a fault has been detected in the alarm system, a message will be displayed in the text window. Contact a Volvo retailer.

Automatic re-lock/re-arm system

If the car is unlocked with the remote, the car will re-lock and the alarm will re-arm after 2 minutes unless a door or the tailgate has been opened.



Child safety lock control in left rear door



Child safety lock control in right rear door

Child safety locks - rear doors

The controls are located on the rear door jambs*. Use the ignition key or a screwdriver to adjust these controls.

A The door cannot be opened from the inside. Normal operation from the outside.

B The door lock functions normally.

* Vehicles equipped with the optional rear-facing auxiliary child seat in the cargo area also have a child safety lock on the underside of the tailgate. This lock is visible when the tailgate is open.

WARNING!

Remember, in the event of an accident, the rear seat passengers cannot open the doors from the inside with the buttons in position A.



Power child safety lock button

Power child safety locks (option)

To prevent the rear doors from being opened from the inside:

1. Turn the vehicle's ignition key to at least position 1.
2. Press the button shown above.

- Indicator light in the button ON: the doors cannot be opened from the inside. Normal operation from the outside.
- Indicator light in the button OFF: the doors can be opened from the inside.

NOTE: On vehicles equipped with the optional rear-facing auxiliary child seat in the cargo area, the child safety lock in the tailgate must be activated or deactivated manually.



[Contents](#) | [Top of Page](#)

**2 0 0 6
VOLVO
V70**

Chapter 6 - Starting and driving

pg. 87 Starting and driving

<u>Fuel requirements</u>	<u>88</u>
<u>Refueling</u>	<u>90</u>
<u>Starting the engine</u>	<u>91</u>
<u>Manual transmission</u>	<u>93</u>
<u>Automatic transmission (AW5)</u>	<u>94</u>
<u>Automatic transmission (Geartronic)</u>	<u>96</u>
<u>All Wheel Drive</u>	<u>98</u>
<u>Four-C active chassis system (option)</u>	<u>99</u>
<u>Front/rear park assist (option/ accessory)</u>	<u>100</u>
<u>Driving economy, Handling</u>	<u>101</u>
<u>Points to remember</u>	<u>102</u>
<u>Roof racks/load carriers</u>	<u>103</u>
<u>Emergency towing</u>	<u>105</u>
<u>Vehicle towing information</u>	<u>106</u>
<u>Towing a trailer</u>	<u>107</u>
<u>Detachable trailer hitch</u>	<u>108</u>

<u>Jump starting</u>	<u>109</u>
<u>Winter driving</u>	<u>110</u>
<u>Long distance trips</u>	<u>111</u>
<u>Three-way catalytic converter</u>	<u>112</u>
<u>Brake system</u>	<u>113</u>
<u>Anti-lock brake system</u>	<u>114</u>
<u>STC/DSTC</u>	<u>115</u>

pg. 88 Fuel requirements

Fuel requirements

Octane rating: Volvo engines are designed for optimum performance on unleaded premium gasoline with an octane rating AKI of 91, or above. AKI (ANTI KNOCK INDEX) is an average of the Research Octane Number, RON, and the Motor Octane Number, MON. $(RON + MON/2)$. The minimum octane requirement is AKI 87 (RON 91).

Deposit control gasoline (detergent additives)

Volvo recommends the use of detergent gasoline to control engine deposits. Detergent gasoline is effective in keeping injectors and intake valves clean. Consistent use of deposit control gasolines will help ensure good driveability and fuel economy. If you are not sure whether the gasoline contains deposit control additives, check with the service station operator.

Unleaded fuel

Each Volvo has a three-way catalytic converter and must use only unleaded gasoline. U.S. and Canadian regulations require that pumps delivering unleaded gasoline be labelled "UNLEADED". Only these pumps have nozzles which fit your car's filler inlet. It is unlawful to dispense leaded fuel into a vehicle labelled "unleaded gasoline only". Leaded gasoline damages the three-way catalytic converter and the heated oxygen sensor system. Repeated use of leaded gasoline will lessen the effectiveness of the emission control system and could result in loss of emission warranty coverage. State and local vehicle inspection programs will make detection of misfueling easier, possibly resulting in emission test failure for misfueled vehicles.

NOTE: Some U.S. and Canadian gasolines contain an octane enhancing additive called methylcyclopentadienyl manganese tricarbonyl (MMT). If such fuels are used, your Emission Control System performance may be affected, and the Check Engine light (malfunction indicator lamp) located on your

instrument panel may light. If this occurs, please return your vehicle to an authorized Volvo retailer for service.

Gasoline containing alcohol and ethers

"Oxygenated fuels"

Some fuel suppliers sell gasoline containing "oxygenates" which are usually alcohols or ethers. In some areas, state or local laws require that the service pump be marked indicating use of alcohols or ethers. However, there are areas in which the pumps are unmarked. If you are not sure whether there is alcohol or ethers in the gasoline you buy, check with the service station operator. To meet seasonal air quality standards, some areas require the use of "oxygenated" fuel.

Volvo allows the use of the following "oxygenated fuels; however, the octane ratings listed on this page must still be met.

Alcohol - Ethanol: Fuels containing up to 10% ethanol by volume may be used. Ethanol may also be referred to as Ethyl alcohol, or "Gasohol".

Ethers - MTBE: Fuels containing up to 15% MTBE may be used.

CAUTION! Do not use gasolines containing methanol (methyl alcohol, wood alcohol). This practice can result in vehicle performance deterioration and can damage critical parts in the fuel system. Such damage may not be covered under the New Vehicle Limited Warranty.

pg. 89 Fuel requirements

Carbon Monoxide - Important Warning

Carbon monoxide is a poisonous, colorless, and odorless gas. It is present in all exhaust gases. If you ever smell exhaust fumes inside the vehicle, make sure the passenger compartment is ventilated, and immediately return the vehicle to your retailer for correction.

Fuel Formulations

Do not use gasoline that contains lead as a knock inhibitor, and do not use lead additives. Besides damaging the exhaust emission control systems on your car, lead has been strongly linked to certain forms of cancer.

Many fuels contain benzene as a solvent. Unburned benzene has been strongly linked to certain forms of cancer. If you live in an area where you must fill your own gas tank, take precautions. These may include:

- standing upwind away from the filler nozzle while refueling

- refueling only at gas stations with vapor recovery systems that fully seal the mouth of the filler neck during refueling
- wear neoprene gloves while handling a fuel filler nozzle.

Use of Additives

With the exception of gas line antifreeze during winter months, do not add solvents, thickeners, or other store-bought additives to your car's fuel, cooling, or lubricating systems. Overuse may damage your engine, and some of these additives contain organically volatile chemicals. Do not needlessly expose yourself to these chemicals.

pg. 90 Refueling



Refueling

The fuel tank holds approximately:

Front wheel drive, non-turbo models - 18.5 US gal. (70 liters)

All turbo models - 18 US gal. (68 liters)

with sufficient volume left over to accommodate possible expansion of the fuel in hot weather. Be aware that the "usable" tank capacity will be somewhat less than the specified maximum. When the fuel level is low, such factors as ambient temperature, the fuel's "Reid vapor pressure" characteristics, and terrain can affect the fuel pump's ability to supply the engine with an adequate supply of fuel. Therefore, it is advisable to refuel as soon as possible when the needle nears the red zone, or when the fuel warning light comes on.

Fuel filler door

Press the button on the light switch panel (see illustration on [page 35](#)) when the car is at a standstill to unlock the fuel filler door. Please note that the fuel filler door will remain unlocked until the car begins to move forward. An audible click will be heard when the fuel filler door relocks.

If you intend to leave your car while it is being refueled, this feature enables you to lock the door/tailgate while leaving the fuel filler door unlocked.

You can also keep the car locked if you remain inside it during refueling. The central locking button does not lock the fuel filler door.

Be sure the fuel filler door is not obstructed and is completely closed after refueling.

Open the fuel filler cap slowly during hot weather conditions.

NOTE: During a transitional period, a small number of service stations may still have fuel nozzles that are not compatible with the fuel filler neck on cars equipped with the evaporative control system. Please refer to [page 153](#) for additional information.

WARNING!

Never carry a cell phone that is **switched on** while refueling your vehicle. If the phone rings, this may cause a spark that could ignite gasoline fumes, resulting in fire and injury.

CAUTION:

- Do not refuel with the engine running *. Turn the ignition off or to position I. If the ignition is on, an incorrect reading could occur in the fuel gauge.
- After refueling, close the fuel filler cap by turning it clockwise until it *clicks* into place *.
- Allow for fuel expansion by not overfilling the tank. Overfilling could also cause damage to the emission control systems.
- Avoid spilling gasoline when refueling. In addition to causing damage to the environment, gasolines containing alcohol can cause damage to painted surfaces, which may not be covered under the New Vehicle Limited Warranty.
- Do not use gasolines containing methanol (methyl alcohol, wood alcohol). This practice can result in vehicle performance deterioration and can damage critical parts in the fuel system. Such damage may not be covered under the New Vehicle Limited Warranty.

** If the fuel filler cap is not closed tightly or if the engine is running when the car is refueled, the Check Engine light (malfunction indicator lamp) may indicate a fault. However, your vehicle's performance will not be affected. Use only Volvo original or approved fuel filler caps.*

pg. 91 Starting the engine

Starting the engine

1. Fasten the seat belt.

WARNING!

Before starting, check that the seat, steering wheel and mirrors adjusted properly.

Make sure the brake pedal can be depressed completely. Adjust the seat if necessary. See [pages 58 and 59](#).

2. Apply the parking brake, if not already set. The gear selector (**automatic transmission**) is locked in the (P)ark position (**SHIFT-LOCK**).

Manual transmission: the clutch must be fully depressed.

3. Without touching the accelerator pedal, turn the ignition key* to the starting position. Allow the starter to operate for up to 10 seconds. Release the key as soon as the engine starts. If the engine fails to start, repeat this step.

For cold starts at altitudes above 6000 ft (1800 meters), depress the accelerator pedal halfway and turn the key to the starting position. Release the pedal slowly when the engine starts.

NOTE:

On certain models, when the car is started, idle speed may be noticeably higher than normal for a short period, depending on the temperature of the engine.

This has been done to help bring components in the emission control system to their normal operating temperature as quickly as possible, which enables them to function normally.

For cold starts at altitudes above 6000 ft (1800 meters), depress the accelerator pedal halfway and turn the key to the starting position. Release the pedal slowly when the engine starts.

4. To release the gear selector from the (P)ark position, the engine must be running (or the ignition key must be in position II) and the brake pedal must be depressed. While keeping firm pressure on the brake pedal, release the parking brake.

5. Select the desired gear. The gear engages after a very slight delay which is especially noticeable when selecting R.

NOTE:

- Your car is equipped with a **KEYLOCK** system. When the engine is switched off, the gear selector must be in the (P)ark position before the key can be removed from the ignition switch.
- When starting in cold weather, the transmission may shift up at slightly higher engine speeds than normal until the automatic transmission fluid reaches normal operating temperature.

* Your car is equipped with an electronic start inhibitor (immobilizer). The keys you received with your car are specially coded. The code in the key is transmitted to an antenna in the ignition switch where it is compared to the code stored in the start inhibitor module. The car can only be started if a properly coded key is used.

If two of the keys to your car are close together, e.g., on the same key ring, when you try to start the car, this could cause interference in the immobilizer system and result in the car not starting. If this should occur, remove one of the keys from the key ring before trying to start the car again.

pg. 92 Starting the engine

CAUTION:

- The engine should be idling when you move the gear selector. Never accelerate until after you feel the transmission engage! Accelerating immediately after selecting a gear will cause harsh engagement and premature transmission wear.
- Selecting P or N when idling at a standstill for prolonged periods time will help prevent overheating of the automatic transmission fluid.
- Do not race a cold engine immediately after starting. Oil flow may not reach some lubrication points fast enough to prevent engine damage.

WARNING!

- Always place the gear selector in Park or in reverse on models with a manual transmission, and apply the parking brake before leaving the vehicle. Never leave the car unattended with the engine running.
- Always open garage doors fully before starting the engine inside a garage to ensure adequate ventilation. The exhaust gases contain carbon monoxide, which is invisible and odorless but very poisonous.
- An extra mat on the driver's floor can cause the accelerator pedal and the clutch to catch. Check that the movement of the accelerator pedal and clutch is not impeded. Not more than one protective floor covering may be used at one time.

pg. 93 Manual transmission



5-speed manual transmission

Depress the clutch pedal completely when changing gears*.

Remove your foot from the clutch pedal while driving. The shift pattern should be followed.

Overdrive (5th gear) should be used as often as possible to help improve fuel economy. This gear should be engaged at speeds above approx. 50 mph (80 km/h).

*** Clutch interlock**

The clutch must be fully depressed before you can start your car. If the clutch is not depressed, it will not be possible to start the engine.



6-speed manual transmission (option on certain models)

Fifth and sixth gears should be used as often as possible to help improve fuel economy.

WARNING!

An extra mat on the driver's floor can cause the accelerator pedal and/or the clutch pedal to catch. Check that the movement of these pedals is not impeded. Not more than one protective floor covering may be used at one time.

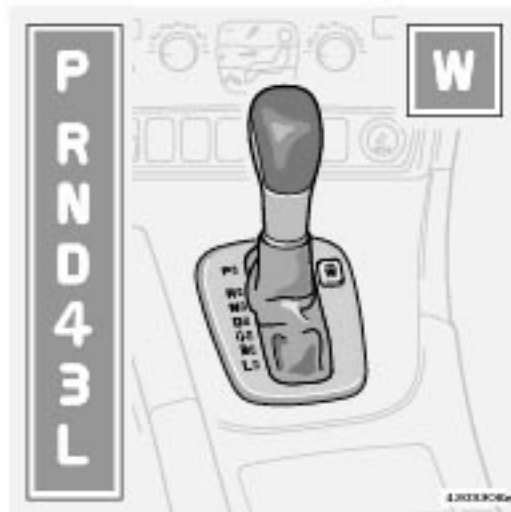


Engaging reverse gear

Never engage R while the car is moving.

CAUTION: Be careful that you do not inadvertently engage reverse while moving forward.

pg. 94 Automatic transmission AW5



P (Park)

Use this position when starting the engine or parking the car.

Never use P while the car is in motion.

The parking brake should be set whenever the car is parked.

The gear selector is mechanically locked in the P position (SHIFTLOCK). To release the gear selector from this position, the engine must be running (or the ignition key must be in position II) and the brake pedal must be depressed.

WARNING!

Never leave the car unattended when the engine is running. If, by mistake, the gear selector is moved from P, the car may start moving.

R (Reverse)

Never engage R while the car is moving.

N (Neutral)

Neutral - no gear engaged. Use the parking brake.

D (Drive)

D is the normal driving position and should be used as often as possible to help improve fuel economy. The car should not be moving when shifting from R to the D position.

4 (Intermediate gear)

The transmission will shift automatically between gears 4, 3, 2 or 1 from this position. **The transmission cannot shift up to (D)rive from fourth gear.**

3 (Intermediate gear)

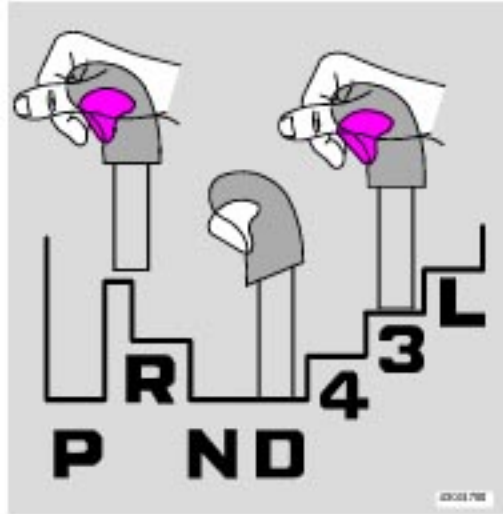
The transmission will shift automatically between gears 3, 2 and 1 from this position. **The transmission cannot shift up to fourth gear or (D)rive from third gear.**

L (Low gears)

The transmission is locked in gears 1 and 2 when the selector is in this position.

NOTE:

- Gears 4, 3, or L can be used if you are driving in a mountainous area, towing a trailer or to increase engine braking effect.
- The transmission has a built-in limiter designed to help prevent excessive engine speeds (high rpm) when gears 4, 3 or L are selected.



Automatic transmission - shift gate positions

The gear selector can be moved freely between N and D.

Depressing the button on the front of the gear selector knob enables you to move the gear selector to positions P, R, N, D, 4, 3 and L.



W Winter/Wet driving mode - enhanced vehicle traction

- Mode W will only function if the gear selector is in the (D)rive position.
- Press the button at the base of the gear selector to engage/disengage this driving mode (see illustration).
- An LED in the button will light up to indicate that **W** is engaged and this will also be displayed in the instrument panel (see [page 27](#)).
- This mode may be selected for starting/moving off on slippery roads.

NOTE: R-models are not equipped with this button.

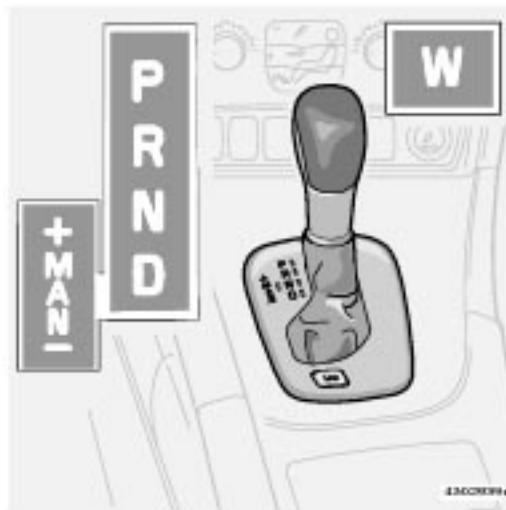
Kickdown

Automatic shift to a lower gear (kickdown) is achieved by depressing the accelerator pedal fully and briskly. An upshift will occur when approaching the top speed for a particular gear or by releasing the accelerator pedal slightly. Kickdown can be used for maximum acceleration or when passing at highway speeds.

Cold starts

When driving before the engine has reached its normal operating temperature, the transmission will shift up at slightly higher engine speeds to heat the three-way catalytic converter as quickly as possible.

pg. 96 Automatic transmission (Geartronic)



P (Park)

Use this position when starting the engine or parking the car.

Never use P while the car is in motion. The parking brake should be set whenever the car is parked.

The gear selector is mechanically locked in the P position (SHIFTLOCK). To release the gear selector from this position, the engine must be running (or the ignition key must be in position II) and the brake pedal must be depressed.

WARNING!

Never leave the car unattended when the engine is running. If, by mistake, the gear selector is moved from P, the car may start moving.

R (Reverse)

Never engage R while the car is moving forward.

N (Neutral)

Neutral - no gear engaged. Use the parking brake.

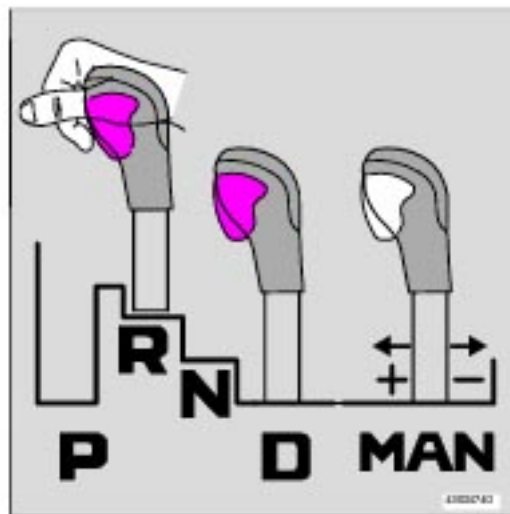
D (Drive)

D is the normal driving position and should be used as often as possible to help improve fuel economy. The car should not be moving when shifting from R to the D position.

Kickdown

Automatic shift to a lower gear (kickdown) is achieved by depressing the accelerator pedal fully and briskly. An upshift will occur when approaching the top speed for a particular gear or by releasing the accelerator pedal slightly.

Kickdown can be used for maximum acceleration or when passing at highway speeds. **Kickdown does not function when the transmission is in the manual shift (geartronic) mode (see next page).**



Shift gate positions

Automatic transmission - shift gate positions

You can move the gear selector freely between the (MAN)ual and (D)rive positions while driving.

Depress the button on the front of the gear selector knob to move between the R, N, D, and P positions.

Please see the following page for information on using the Geartronic manual shift mode.

pg. 97 Automatic transmission (Geartronic)

Manual shifting - Geartronic

You can move the gear selector freely between the (MAN)ual and (D)rive positions while driving. Gears 2, 3, and 4 have a "lock-up" function which reduces engine speed and helps save fuel.

The currently selected gear will be displayed in the instrument panel (see [page 27](#)).

- To access the (MAN)ual shifting position from (D)rive, pull the gear selector back slightly from D and move it to the left to MAN.
- To return to the (D)rive position from MAN, move the gear selector to the right and push it forward to the (D)rive position.

While driving

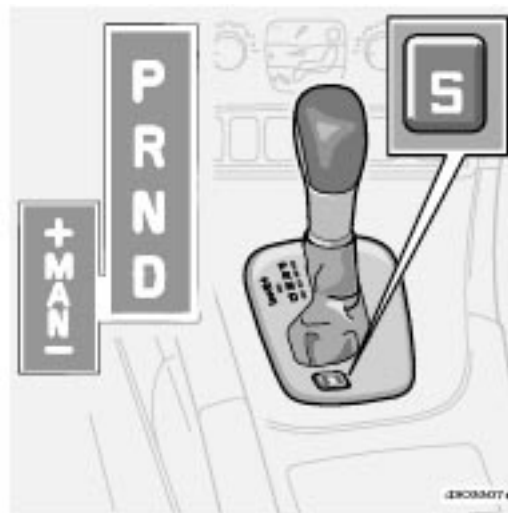
If you select the (MAN)ual position while driving, the gear that was being used in the (D)rive position will also initially be selected in (MAN)ual position.

- Move the gear selector forward (toward "+") to shift to a higher gear or rearward (toward "-") to shift to a lower gear.
- If you hold the gear selector toward "-", the transmission will downshift one gear and will utilize the braking power of the engine. If the current speed is too high for using a lower gear, the downshift will not occur until the speed has decreased enough to allow the lower gear to be used.
- If you slow down to a very low speed, the transmission will automatically shift down.
- When starting in the (MAN)ual position, 3rd gear is the highest gear that may be selected.

NOTE: Kickdown (see previous page) **does not function** when the transmission is in the manual shift (geartronic) mode. The gear selector must be in the D (Drive) position.

W Winter/Wet driving mode - enhanced vehicle traction

Please refer to the information on [page 95](#).



Sport mode (R-models only)

R-models are equipped with a (S)port button that can be used to engage/disengage the Sport shifting

mode. An indicator light in the button will go on when Sport mode is engaged.

With Sport mode engaged, the transmission will shift up at higher rpm in first and second gears, and will also shift down at higher rpm for more immediate engine response during acceleration and deceleration.

pg. 98 All Wheel Drive - option

All Wheel Drive (AWD) - general information

Your Volvo can be equipped with permanent All Wheel Drive, which means that power is distributed automatically between the front and rear wheels. Under normal driving conditions, most of the engine's power is directed to the front wheels. However, if there is any tendency for the front wheels to spin, an electronically controlled coupling distributes power to the wheels that have the best traction.

Tire dimensions

Volvo recommends that you always drive on tires of the same brand, size, construction (radial), tread pattern, load-, speed-, traction-, temperature-, and treadwear rating. Never drive on mixed tires, except for brief periods when the temporary spare tire is in use.

Always use properly inflated tires of correct dimensions. Tire size and inflation pressures are shown on the tire inflation pressure placards, located on the driver's side B-pillar (the structural member at the side of the vehicle, at the rear of the driver's door opening), or on the inside of the fuel filler door on Canadian models.

Temporary Spare

The temporary spare tire is for temporary, low-speed, short-distance use only. Replace it with a full-sized tire as soon as possible. Do not drive on the temporary spare at speeds above 50 m.p.h. (80km/h) or for distances greater than 50 miles (80 km).

Never install snow chains on a temporary spare.

pg. 99 Four-C active chassis system (option)

Four-C

The FOUR-C (Continuously Controlled Chassis Concept) active chassis system, consisting of Comfort and Sport modes, is available as an option.

NOTE: The V70 R has a standard FOUR-C system consisting of Comfort, Sport, and Advanced sport modes. The buttons for controlling these driving modes are located in center instrument panel, above the ventilation system panel vents, see the illustration in the right column. These buttons can be pressed at any time to change driving modes. An indicator light in the selected button will come on to indicate the driving mode that is currently selected.

The Four-C system is based on a number of sensors that continuously monitor factors such as the car's lateral and vertical movements, speed, and movements of the wheels. The sensors receive data up to 500 times per second, which is used to provide extremely fast and precise adjustment of each shock absorber. The system adjusts the stiffness of the shock absorbers approximately 100 times per second.



Use the button in the center console to switch between the driving modes Comfort and

Sport. This can be done at any time.

Comfort

The Comfort mode chassis setting offers the greatest amount of shock absorption and the softest ride. This mode is recommended for long-distance driving, or when driving in slippery conditions. The indicator light in the button will be off when this mode is selected. If Comfort mode was selected when the engine was switched off, this mode will still be active when the engine is restarted.

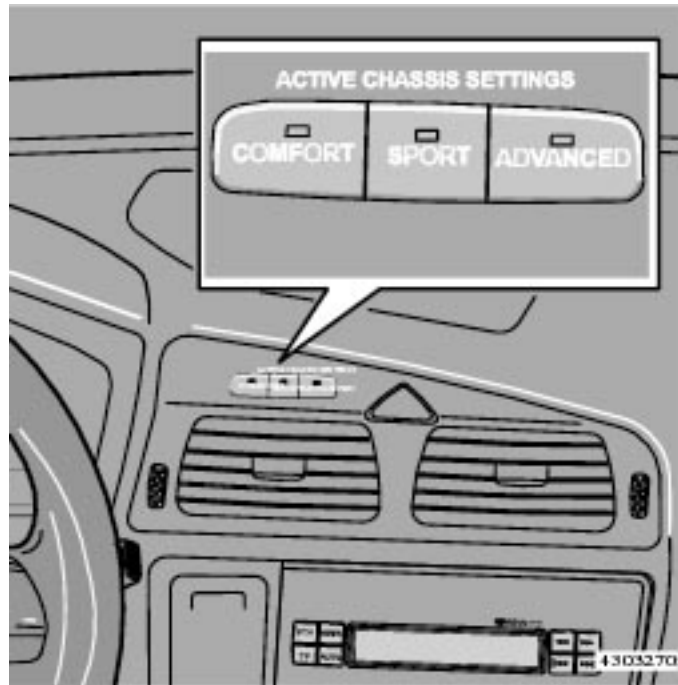
Sport

In this mode, shock absorption is stiffer to reduce the car's body sway during cornering and to provide more immediate steering response. The indicator light in the button will come on to indicate that Sport mode has been selected.

If this setting was selected when the engine was switched off, Sport mode will still be active when the engine is restarted.

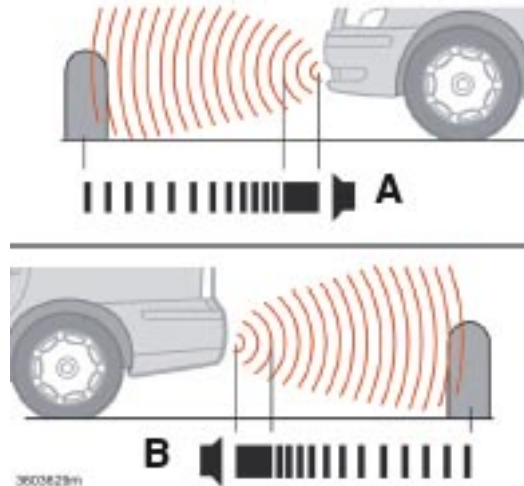
Advanced sport (V70 R only)

In this mode, movement of the shock absorbers is minimal, response from pressure on the throttle pedal is more direct, and body sway in curves or when cornering is sharply reduced. If Advanced sport mode was selected when the engine was switched off, Sport mode will be active when the engine is restarted.



V70 R buttons on the dashboard

pg. 100 Front/rear park assist (option/accessory)



A - front (accessory as available), B - rear (option)

Front/rear park assist

The park assist system(s) are designed to assist you when driving into parking spaces, garages, etc. They utilize ultrasound sensors located in the bumpers to measure the distance to a vehicle or other object, or a person who may be close to the front or rear of the vehicle.

When is park assist active?

Front: the system is active from the time the engine is started until the car exceeds a speed of approximately 10 mph (15 km/h).

Rear: when the engine is running and reverse gear is selected.

NOTE:

- If the vehicle is equipped with front and rear park assist, both systems will either be activated or deactivated together. They cannot be used separately.
- The indicator light in the button (see the illustration on [page 31](#)) will light up to indicate that park assist system(s) are activated.

When park assist is actively working:

1. The audio system's volume will be reduced.
2. An intermittent signal will be audible from the speakers to indicate that you are approaching a person, object, parked vehicle, etc.

The signals begin when the distance between the bumper and the object is:

Rear: approximately 5 feet (1.5 meters)

Front: approximately 2.5 ft (0.8 meters)

3. At a distance of approximately 1 foot (30 cm), the signal will become constant.

Deactivating the system(s)

- Press the Park assist button on the center console (see [page 33](#)) to temporarily deactivate the system (s).
- The indicator light in the button will go out when the system(s) have been deactivated.
- If the vehicle is equipped with front and rear park assist, both systems will be deactivated by pressing the button.

NOTE:

It may be necessary to deactivate one or both of the park assist systems in certain cases.

- **Rear park assist:** towing a trailer, carrying bicycles in a rear-mounted carrier, etc, could trigger the rear park assist system's sensors.
- **Front park assist:** it may not be possible to combine auxiliary headlights and front park assist since these lights could trigger the system's sensors.

Faults in the system

If a fault should occur in the system, the LED in the button will be switched off and a message will be displayed in the text window.

Cleaning the sensors

For the system to function properly, the sensors in the front and/or rear bumpers should be kept clean. They can be cleaned with car washing detergent and a sponge.

WARNING!

These systems are designed to be a supplementary aid when parking the vehicle. They are not, however, intended to replace the driver's attention and judgement.

pg. 101 Driving economy, Handling

Economical driving conserves natural resources

Better driving economy may be obtained by thinking ahead, avoiding rapid starts and stops and adjusting the speed of your vehicle to immediate traffic conditions. Observe the following rules:

- Bring the engine to normal operating temperature as soon as possible by driving with a light foot on the accelerator pedal for the first few minutes of operation. A cold engine uses more fuel and is subject to increased wear.
- Whenever possible, avoid using the car for driving short distances. This does not allow the engine to reach normal operating temperature.
- Drive carefully and avoid rapid acceleration and hard braking.
- Do not exceed posted speed limits.
- Avoid carrying unnecessary items (extra load) in the car.
- Maintain correct tire pressure. Check tire pressure regularly (when tires are cold).
- Remove snow tires when threat of snow or ice has ended.
- Note that roof racks, ski racks, etc., increase air resistance and fuel consumption.
- Avoid using automatic transmission kickdown feature unless necessary.
- Avoid using the air conditioning when it is not required. When engaged, the A/C compressor places an additional load on the engine. However, at higher driving speeds, fuel consumption will be lower with the air conditioning on and the windows closed than with the air conditioning off and the windows open.
- Using the onboard trip computer's fuel consumption modes can help you learn how to drive more economically.

Other factors that decrease gas mileage are:

- Dirty air cleaner
- Dirty engine oil and clogged oil filter
- Dragging brakes
- Incorrect front end alignment

Some of the above mentioned items and others are checked at the standard Maintenance Service intervals.

NOTE: Vehicles equipped with automatic transmissions should use (D)rive as often as possible and avoid using "kick-down" to help improve fuel economy. Vehicles equipped with manual transmissions should use fifth gear at highway speeds. At other times, choose the highest gear that still allows smooth acceleration.

Handling, roadholding

Vehicle load, tire design and inflation pressure all affect vehicle handling. Therefore, check that the tires are inflated to the recommended pressure according to the vehicle load. See "Tire pressure" section. Loads should be distributed so that capacity weight or maximum permissible axle loads are not exceeded.

Speed-sensitive power steering

(Option on certain models)

With this feature, the steering is most responsive at lower speeds to make parking, driving in city traffic, etc., easier. The effect of the power steering diminishes as you accelerate for greater stability at highway speeds.

Weight distribution affects handling

At the specified curb weight your car has a tendency to understeer, which means that the steering wheel has to be turned more than might seem appropriate for the curvature of a bend. This ensures good stability and reduces the risk of rear wheel skid. Remember that these properties can alter with the vehicle load. The heavier the load on the rear of the vehicle (e.g., heavily loaded (max. 220 lbs, 100 kg) cargo area or when towing a trailer, the less the tendency to understeer.

pg. 102 Points to remember

Cooling system

The risk for engine overheating is greatest, especially in hot weather, when:

- Towing a trailer up steep inclines for prolonged periods at wide open throttle and low engine rpm.
- Stopping the engine suddenly after high speed driving (so-called "after-boiling" can occur).
- To avoid overheating, the following rules should be followed:

Do not drive for prolonged periods at engine speeds above 4500 rpm if you are towing a trailer in hilly terrain.

Reduce speed when towing a trailer up long, steep inclines. The risk of overheating can be reduced by switching off the air conditioning system for a short time.

Do not let the engine idle unnecessarily for prolonged periods.

Do not mount auxiliary lamps in front of the grill.

When the risk of overheating is imminent, or in the event of overheating (the temperature gauge goes repeatedly into, or stays continually in, the red section), the following precautions should be taken:

- Switch off the air conditioning system.
- Pull off the road, away from traffic, stop the car and put the gear selector into neutral.
- Switch the heater to full (maximum) position. Increase the engine speed to approx. 2000 rpm (twice idling speed) until the temperature begins to drop.

WARNING!

- Do not remove coolant expansion tank cap. The coolant will be extremely hot.

If necessary, see [page 154](#) for information on checking and topping-up the coolant level.

CAUTION: Drive slowly and carefully if going through standing water (i.e. flooded roadways, etc.). Damage to the engine could result if excess water is drawn in through the air intake system. Never drive the vehicle in water deeper than 1 foot (300 mm). See the flood warning on [page 5](#).

WARNING!

- **Driving with the tailgate open:** Driving with the tailgate open could mean that poisonous exhaust gases enter the passenger compartment.

If the tailgate must be kept open for any reason, proceed as follows:

- Close the windows.
- Set the ventilation system to air flow to floor, windshield and side windows and blower control to its highest setting.
- **Floor mats:** An extra mat on the driver's floor can cause the accelerator pedal to catch. Check that the movement of the accelerator pedal is not impeded. Not more than one protective floor covering may be used at one time.

Electrical system

When replacing the battery or when carrying out work involving the electrical system, the following should be observed:

- A battery connection to the wrong terminal will damage the electrical system. Be sure to connect the positive battery cable to the positive battery terminal and the negative battery cable to the negative battery terminal.
- If booster batteries are used for starting, they must be properly connected to minimize the risk of the electrical system being damaged. For correct connection, see "Jump starting" section.
- Never disconnect the battery circuit (for example, to replace the battery) while the engine is running, as this may damage the generator. Always make sure that all the battery connections are properly cleaned and tightened.
- If any electrical welding work is performed on the vehicle, the battery's ground lead (negative cable) and all the connecting cables of the generator must be disconnected and the welder cables placed as near

the welding points as possible.

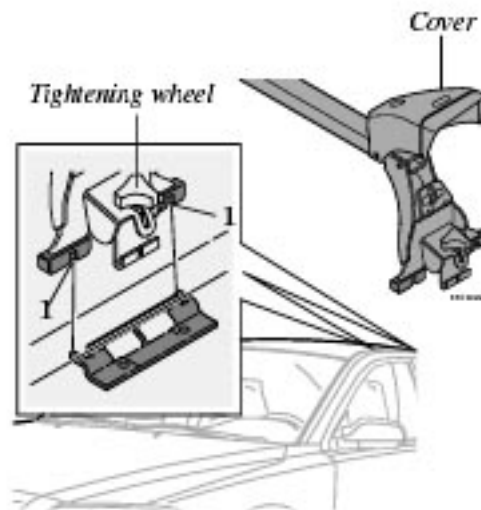
- The radio must be turned off before the battery is disconnected.
- Switch off the ignition for at least 10 minutes before disconnecting the battery.

pg. 103 Roof racks/Load carriers

Load carriers (accessory)

Load carriers are available as Volvo accessories. Observe the following points when in use:

- To avoid damaging your car and to achieve maximum safety when driving, we recommend using the load carriers that Volvo has developed especially for your car.
- Volvo-approved removable roof racks are designed to carry the maximum allowable roof load for this vehicle: 220 lbs (100 kg). For Non-Volvo roof racks, check the manufacturer's weight limits for the rack.
- Never exceed the rack manufacturer's weight limits and never exceed the maximum rated roof load of 220 lbs (100 kg).
- Avoid single-point loads. Distribute loads evenly.
- Place heavier cargo at the bottom of the load.
- Anchor the cargo correctly with appropriate tie-down equipment.
- **Check periodically that the load carriers and load are properly secured.**
- Remember that the car's center of gravity and handling change when you carry a load on the roof.
- The car's wind resistance (and correspondingly, fuel consumption) will increase with the size of the load.
- Drive smoothly. Avoid rapid starts, fast cornering and hard braking.



Load carrier attachment points

Attaching load carriers (models without rails)

The attachment brackets for the load carriers are located under the roof molding.

1 Make sure that the load carriers are placed in the right direction. See the mark on the decal under the cover.

- 2 Press the guide lugs into the holes (1).
- 3 Carefully lower the opposite side of the load carrier to the roof.
- 4 Loosen the tightening wheel slightly. Slide the hook on the load carrier attachment into the attachment bracket under the roof molding.
- 5 Turn the tightening wheel to secure the load carrier in the attachment bracket.
- 6 Repeat this procedure for the other load carrier attachments.
- 7 Check that the hooks on all four load carrier attachments are securely tightened in the respective attachment brackets on the roof of the car.
- 8 Press down the covers.

Check periodically that the load carriers and load are properly secured.

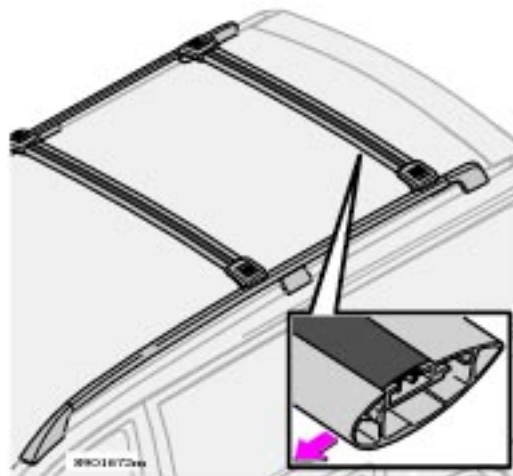
Reducing wind noise and improving fuel economy

To maximize fuel efficiency and minimize wind noise, Volvo recommends that load carriers be removed when not in use.

WARNING!

Loads carried on the vehicle's roof should not exceed 220 lbs (100 kg), including the weight of the load carriers and any other load carrying equipment (ski boxes, bicycle racks, etc). Excessive loads on the roof can adversely affect the handling and roadholding characteristics of the vehicle.

pg. 104 Load carriers (models with rails)

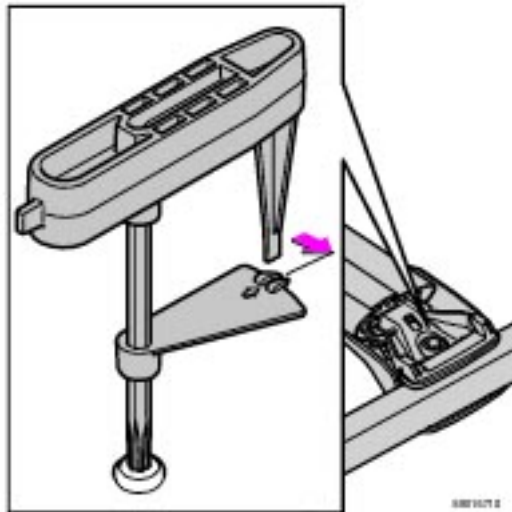


Position of load carriers

Make sure that the wing-shaped load carriers are installed on the roof rails with the rounded edge forward (see the inset illustration above). The load carriers are identical and can be placed anywhere along the roof rails.

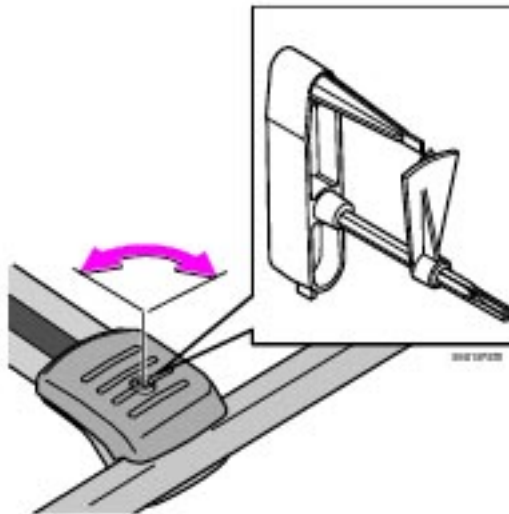
Reducing wind noise and improving fuel economy

To maximize fuel efficiency and minimize wind noise, Volvo recommends that load carriers be removed when not in use.



Fitting the load carriers (accessory)

Make sure that the load carrier is pressed firmly out against the roof rail. Screw the load carrier in place. Use the supplied torque wrench and tighten to the mark on the wrench (corresponding to 6 Nm). See illustration.

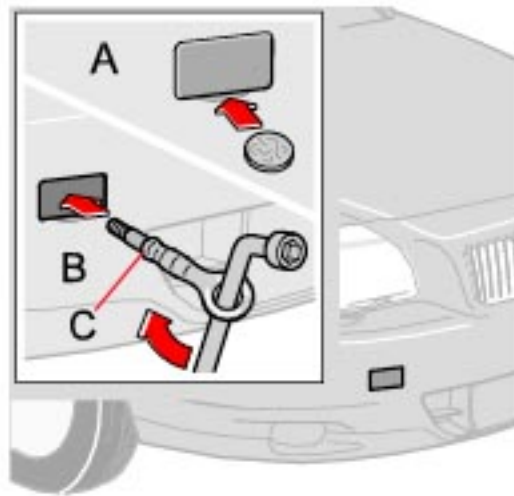


Load carrier cover

The car's ignition key or the stud on the edge of the supplied torque wrench can be used to undo or tighten the cover. Turn a quarter turn (90 degrees). See illustration.



[Contents](#) | [Top of Page](#)



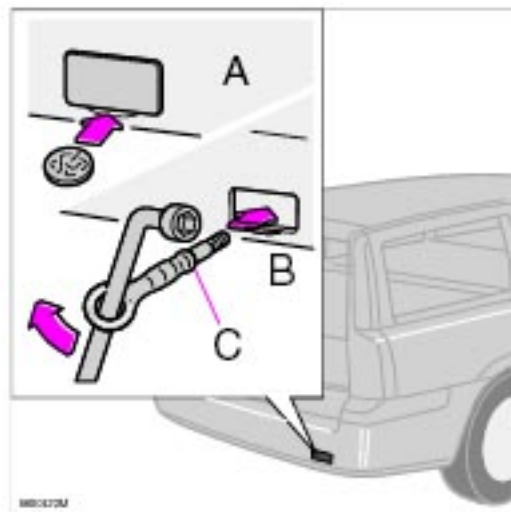
Front towing eyelet

Emergency towing

The towing eyelet is located in the tool bag, under the floor of the cargo area, with the spare tire. This eyelet must be screwed into the positions provided on the right sides of either the front or rear bumper (see illustration). To attach the towing eyelet:

- Use a coin to pry open the lower edge of the cover (A).
- Screw the towing eyelet in place, first by hand and then using the tire iron (B) until it is securely in place.

After the car has been towed, the eyelet should be removed and returned to the tool bag. Press the cover back into position.



*Rear towing eyelet***Precautions when the car is in tow**

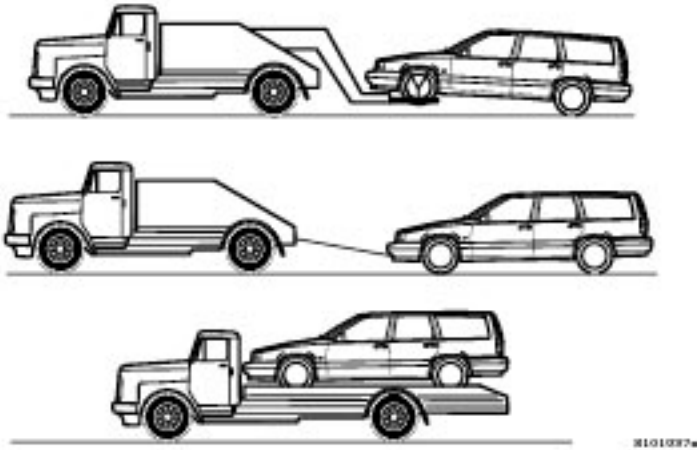
- The steering wheel must be unlocked. Turn the ignition key to position I or II.
 - The gear selector must be in position N.
 - Maximum speed: 50 mph (80 km/h)
 - Maximum distance with front wheels on ground: 50 miles (80 km).
 - While the car is being towed, try to keep the tow rope taut at all times.
 - Cars with an automatic transmission should only be towed in forward direction.
-

CAUTION:

- Please check with state and local authorities before attempting this type of towing, as vehicles being towed are subject to regulations regarding maximum towing speed, length and type of towing device, lighting, etc.
- If the car's battery is dead, do not attempt to start the vehicle by pushing or pulling it as this will damage the three-way catalytic converter(s). The engine must be jump started using an auxiliary battery (see [page 109](#)).
- If the car is being towed on a flat bed truck, the towing eyelets must not be used to secure the car on the flat bed. Consult the tow truck operator.

WARNING!

- Remember that the power brakes and power steering will not function when engine is not running. The braking and steering systems will function but the brake pedal pressure required is 3 - 4 times above normal and greater steering effort must be exerted.
- The towing eyelets must not be used for pulling another vehicle out of a ditch or for any similar purpose involving severe strain.
- Do not use the towing eyelets to pull the car up onto a flat bed tow truck.



Towing cars with all wheel drive/front wheel drive

Volvo recommends the use of flat bed equipment. If wheel lift equipment must be used, please use extreme caution to help avoid damage to the car. **In this case, the car should be towed with the rear wheels on the ground if at all possible.**

If it is absolutely necessary to tow the vehicle with the front wheels on the ground, please refer to the towing information on the previous page.

CAUTION:

- The car must not be driven with wheels of different dimensions/specifications or with a spare tire other than the one that came with the car. The use of different size wheels can seriously damage your car's transmission.
- Sling-type equipment applied at the front will damage radiator and air conditioning lines.
- It is equally important not to use sling-type equipment at the rear or apply lifting equipment inside the rear wheels; serious damage to the rear axle may result.
- If the car is being towed on a flat bed truck, the towing eyelets must not be used to secure the car on the flat bed. Consult the tow truck operator.

WARNING!

- Do not use the towing eyelets to pull the car up onto a flat bed tow truck.

When preparing for trailer towing, observe the following:

Volvo recommends the use of Volvo trailer hitches which are specially designed for the car.

- Maximum trailer weight recommended by Volvo is:

Trailers without brakes: 1650 lbs (750 kg)

Trailers with brakes: 3300 lbs* (1,500 kg),

Observe the legal requirements of the state/province in which the vehicles are registered.

- All Volvo models are equipped with energy-absorbing shock-mounted bumpers. Trailer hitch installation should not interfere with the proper operation of this bumper system.

Trailer towing does not normally present any particular problems, but take into consideration:

- Increase tire pressure to recommended full. See section "Wheels and tires".
- When your car is new, avoid towing heavy trailers during the first 620 miles (1000 km).
- Recommended hitch tongue load is:

Trailer weights **below** 2,650 lbs (1,200 kg) - 110 lbs (50 kg)

Trailer weights **above** 2,650 lbs (1,200 kg) - 165 lbs (75 kg)

- Maximum speed when towing a trailer: 50 mph (80 km/h).
- Engine and transmission are subject to increased loads. Therefore, engine coolant temperature should be closely watched when driving in hot climates or hilly terrain. Use a lower gear and turn off the air conditioner if the temperature gauge needle enters the red range.
- If the automatic transmission begins to overheat, a message will be displayed in the text window.
- Avoid overload and other abusive operation.
- Hauling a trailer affects handling, durability, and economy.
- It is necessary to balance trailer brakes with the towing vehicle brakes to provide a safe stop (check and observe state/local regulations).
- Do not connect the trailer's brake system directly to the vehicle's brake system.
- More frequent vehicle maintenance is required.
- Remove the ball and drawbar assembly when the hitch is not being used.
- Volvo recommends the use of synthetic engine oil when towing a trailer over long distances or in mountainous areas.

WARNING!

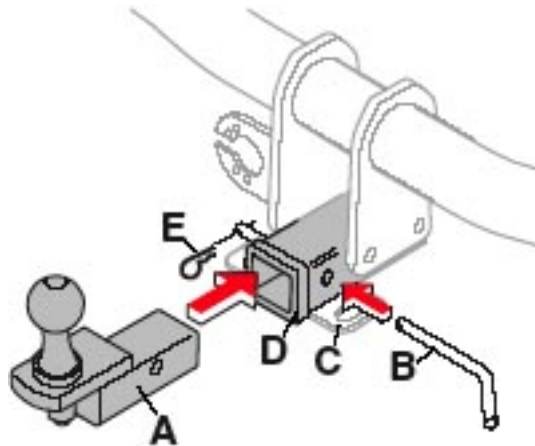
- Bumper-attached trailer hitches must not be used on Volvo's, nor should safety chains be attached to the bumper.
- Trailer hitches attaching to the vehicle rear axle must not be used.
- Never connect a trailer's hydraulic brake system directly to the vehicle brake system, nor a trailer's lighting system directly to the vehicle lighting system. Consult your nearest authorized Volvo retailer for correct installation.
- When towing a trailer, the trailer's safety wire must be correctly fastened to the hole or hook provided in the trailer hitch on the car. The safety wire should never be fastened to or wound around the drawbar ball.

NOTE:

- When parking the car with a trailer on a hill, apply the parking brake before putting the gear selector in (P)ark or reverse on models with a manual transmission. Always follow the trailer manufacturer's recommendations for wheel chocking.
- When starting on a hill, put the gear selector in (D)rive before releasing the parking brake.
- If you use the manual (Geartronic) shift positions while towing a trailer, make sure the gear you select does not put too much strain on the engine (using too high a gear).
- The drawbar assembly/trailer hitch may be certified for trailers that are heavier than the car is designed to tow. Please adhere to Volvo's recommended trailer weights.

* When driving for prolonged periods at temperatures above 86° F (30° C), the maximum recommended weight is 2000 lbs (900 kg).

pg. 108 Detachable trailer hitch (accessory) - installing/removing



A - ball holder, B - locking bolt, C - safety wire attachment, D- hitch assembly, E - cotter pin

Installing the ball holder

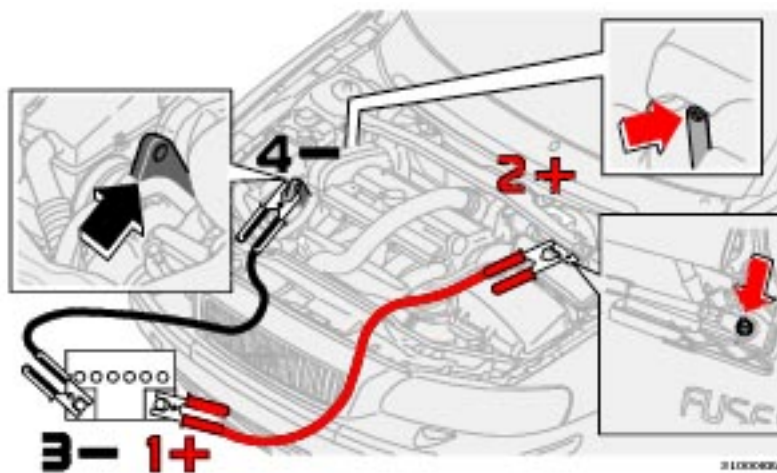
1. If necessary, remove the cotter pin from the locking bolt and slide the locking bolt out of the hitch assembly.
2. Slide the ball holder into the hitch assembly.
3. Align the hole in the ball holder with the one in the hitch assembly.
4. Slide the locking bolt through the hitch assembly/ball holder.
5. Insert the cotter pin in the hole at the end of the locking bolt.

Removing the ball holder

1. Remove the cotter pin from the locking bolt and slide the locking bolt out of the ball holder/hitch assembly.
2. Pull the ball holder out of the hitch assembly.

NOTE: A cover for the hitch assembly can be purchased from your Volvo retailer.

pg. 109 Jump starting



Jump starting

Follow these instructions to jump start your car's dead battery or to jump start another car's dead battery using your car. Although your car's battery is located under the floor of the cargo area, jumper cables should be connected in the **engine compartment**, to the points shown in the illustrations.

If the 12-volt auxiliary battery to be used is in another car, check that the cars are not touching to prevent premature completion of a negative circuit. Be sure to follow jump starting instructions provided for the other vehicle.

To jump start your car:

- Switch off the ignition.
- First connect the auxiliary battery positive (+) terminal (1) to the positive (+) terminal in your car's engine compartment (2), located under a small black plastic cover attached to the fuse box cover, marked with a "+" sign. Remove the cover on the main fuse box if necessary to access this terminal. See

[page 137.](#)

- Then connect the auxiliary battery negative (-) terminal (3) to the ground point in your car's engine compartment (4).

Start the engine in the assisting car, then start the engine in the car with the dead battery.

- After the engine has started, first remove the negative (-) terminal jumper cable. Then remove the positive (+) terminal jumper cable.

CAUTION:

Improper hookup of jumper cables or use of other than 12-volt batteries could result in damage to equipment and/or the battery.

WARNING!

- Do not connect the jumper cable to any part of the fuel system or to any moving parts. Avoid touching hot manifolds.
- Never expose the battery to open flame or electric spark.
- Do not smoke near the battery.
- Batteries generate hydrogen gas which is flammable and explosive.
- Battery fluid contains sulfuric acid. Do not allow battery fluid to contact eyes, skin, fabrics or painted surfaces. If contact occurs, flush the affected area immediately with water. Obtain medical help immediately if eyes are affected.

Failure to follow the instructions for jump starting can lead to personal injury.

NOTE: Refer to [pages 163](#) for information on properly maintaining the battery.

PROPOSITION 65 WARNING!

Battery posts, terminals, and related accessories contain lead and lead compounds, chemicals known to the state of California to cause cancer and reproductive harm. Wash hands after handling.

pg. 110 Winter driving

Cold weather precautions

If you wish to check your car before the approach of cold weather, the following advice is worth noting:

- Make sure that the engine coolant contains 50 percent antifreeze. Any other mixture will reduce

freeze protection. This gives protection against freezing down to -31°F (-35°C). See section "Coolant". **The use of "recycled" antifreeze is not approved by Volvo. Different types of antifreeze must not be mixed.**

- Volvo recommends using only genuine Volvo antifreeze in your car's radiator. Your local Volvo retailer stocks plenty of Volvo engine coolant to protect your car during cold weather.
- Try to keep the **fuel tank** well filled - this prevents the formation of condensation in the tank. In addition, in extremely cold weather conditions it is worthwhile to add fuel line de-icer before refueling.
- The viscosity of the **engine oil** is important. Oil with low viscosity (thinner oil) improves cold-weather starting as well as decreasing fuel consumption while the engine is warming up. For winter use, 5W-30 oil, particularly the synthetic type *, is recommended. Be sure to use good quality oil but do not use this cold-weather oil for hard driving or in warm weather. See section "Engine oil" for more information.
- The load placed on **the battery** is greater during the winter since the windshield wipers, lighting, etc. are used more often. Moreover, the capacity of the battery decreases as the temperature drops. In very cold weather, a poorly charged battery can freeze and be damaged. It is therefore advisable to check the state of charge more frequently and spray an anti-rust oil on the battery posts.
- Volvo recommends the use of **snow tires** on all four wheels for winter driving - see section "Wheels and tires".
- To prevent the **washer fluid reservoir** from freezing, add washer solvents containing antifreeze (see [page 158](#) for the location of the washer fluid reservoir). This is important since dirt is often splashed on the windshield during winter driving, requiring the frequent use of the washers and wipers. The Volvo Washer Solvent should be diluted as follows:
Down to 14° F (-10° C): 1 part washer solvent and 4 parts water
Down to 5° F (-15° C): 1 part washer solvent and 3 parts water
Down to 0° F (-18° C): 1 part washer solvent and 2 parts water
Down to -18° F (-28° C): 1 part washer solvent and 1 part water
- Use Volvo Teflon Lock Spray in the locks.

NOTE: Avoid the use of de-icing sprays as they can cause damage to the locks.

W Winter/Wet driving mode - enhanced vehicle traction

- Mode W will only function if the gear selector is in the (D)rive position.
- Press the button at the base of the gear selector to engage/disengage this driving mode (see illustration).
- An LED in the button will light up to indicate that **W** is engaged and this will also be displayed in the instrument panel (see [page 27](#)).
- This mode may be selected for starting/moving off on slippery roads.

*Synthetic oil is not used when the oil is changed at the normal maintenance service intervals.

Before a long distance trip

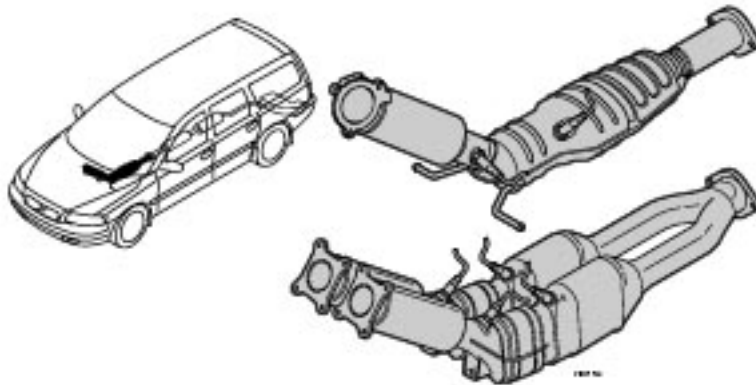
It is always worthwhile to have your car checked at a Volvo retailer before driving long distances. Your retailer will also be able to supply you with bulbs, fuses, spark plugs and wiper blades for your use in the event that problems occur.

As a minimum, the following items should be checked before any long trip:

- Check that engine runs smoothly and that fuel consumption is normal.
- Check for fuel, oil, and fluid leakage.
- Check condition of accessory drive belts.
- Check transmission oil level*.
- Check state of the battery's charge.
- Examine tires carefully (the spare tire as well), and replace those that are worn. Check tire pressures.
- The brakes, front wheel alignment, and steering gear should be checked by your Volvo retailer only.
- Check all lights, including high beams.
- Reflective warning triangles are legal requirement in some countries.
- Have a word with your Volvo retailer if you intend to drive in countries where it may be difficult to obtain the correct fuel.
- Consider your destination. If you will be driving through an area where snow or ice are likely to occur, consider snow tires.

* To prevent injury from contact with hot surfaces, do not inspect your car's transmission fluid yourself. Have your car's transmission fluid level inspected by a qualified Volvo service technician.

pg. 112 Three-way catalytic converters



Three-way catalytic converter cautions

- Keep your engine properly tuned. Certain engine malfunctions, particularly involving the electrical, fuel or distributor ignition systems, may cause unusually high three-way catalytic converter

temperatures. **Do not continue to operate your vehicle if you detect engine misfire, noticeable loss of power or other unusual operating conditions, such as engine overheating or backfiring.** A properly tuned engine will help avoid malfunctions that could damage the three-way catalytic converters.

- Do not park your car over combustible materials, such as grass or leaves, which can come into contact with the hot exhaust system and cause such materials to ignite under certain wind and weather conditions.
- Excessive starter cranking (in excess of one minute), with an intermittently firing or flooded engine, can cause three-way catalytic converter or exhaust system overheating.
- Remember that tampering or unauthorized modifications to the engine or the vehicle may be illegal and can cause three-way catalytic converter or exhaust system overheating. This includes:
 - Altering fuel injection setting or components.
 - Altering emission system components or location or removing components.
 - Repeated use of leaded fuel.

NOTE: Unleaded fuel is required for cars with three-way catalytic converters

pg. 113 Brake system

BRAKE Brake circuit malfunction

The brake system is a hydraulic system consisting of two master cylinders and two separate brake circuits. If a problem should occur in one of these circuits, it is still possible to stop the car with the other brake circuit.

If the brake pedal must be depressed farther than normal and requires greater foot pressure, the stopping distance will be longer. A warning light in the instrument panel will light up to warn the driver that a fault has occurred.

If this light comes on while driving or braking, stop immediately and check the brake fluid level in the reservoir.

NOTE: Press the brake pedal hard and maintain pressure on the pedal - do not pump the brakes.

WARNING!

If the fluid level is below the MIN mark in the reservoir: **DO NOT DRIVE.** Tow the car to a Volvo retailer and have the brake system inspected.

NOTE: When the car is at a standstill and the engine is idling, e.g. at a traffic light and the brake pedal is depressed, the pedal may go down slightly. This is normal and is caused by an built-in function in the power brake system.

Power brakes function only when the engine is running

The power brakes utilize vacuum pressure which is only created when the engine is running. Never let the vehicle roll to a stop with the engine switched off.

If the power brakes are not working, the brake pedal must be pressed approximately four times harder than usual to make up for the lack of power assistance. This can happen for example when towing your vehicle or if the engine is switched off when the vehicle is rolling. The brake pedal feels harder than usual.

Water on brake discs and brake pads affects braking

Driving in rain and slush or passing through an automatic car wash can cause water to collect on the brake discs and pads. This will cause a delay in braking effect when the pedal is depressed. To avoid such a delay when the brakes are needed, depress the pedal occasionally when driving through rain, slush etc. This will remove the water from the brakes. Check that brake application feels normal. This should also be done after washing or starting in very damp or cold weather.

Severe strain on the brake system

The brakes will be subject to severe strain when driving in mountains or hilly areas or towing. Vehicle speed is usually slower, which means that the cooling of the brakes is less efficient than when driving on level roads. To reduce the strain on the brakes, shift into a lower gear and let the engine help with the braking. Do not forget that, if you are towing a trailer, the brakes will be subjected to a greater than normal load.

pg. 114 Anti-lock Brake System (ABS)



Anti-lock Brake System (ABS)

If the warning lamp lights up there is a malfunction of the ABS system (the standard braking system will however function) and the vehicle should be driven cautiously to a Volvo retailer for inspection. The Anti-lock Braking System (ABS) helps to improve vehicle control (stopping and steering) during severe braking conditions by limiting brake lockup. When the system "senses" impending lockup, braking pressure is automatically modulated in order to help prevent lockup, which could lead to a skid.

The system performs a self-diagnostic test when the engine is started and when the vehicle first reaches a speed of approximately 12 mph (20 km/h). The brake pedal will pulsate several times and a sound may be audible from the ABS control module. This is normal. To obtain optimal effect from the ABS system, constant pressure should be kept on the brake pedal. Do not pump the brake pedal. The switching of the ABS modulator will be audible and the brake pedal will pulsate during braking. Please be aware that ABS does not increase the absolute braking potential of the vehicle. While control will be enhanced, ABS will not shorten stopping distances on slippery surfaces.

ABS with EBD (Electronic Brake Force Distribution)

EBD is an integrated part of the ABS system. EBD regulates the hydraulic pressure to the rear brakes to help provide optimal braking capacity. The brake pedal will pulsate during braking, which is normal.

If the BRAKE and ABS warning lights come on at the same time, this could indicate a fault in the brake system.

- Stop the car in a suitable place and switch off the engine.
- Restart the engine.
- If both warning lights go off, no further action is required.
- If both lights are still on after the engine has been restarted, switch off the engine again and check the brake fluid level (see [page 158](#) for the location of the brake fluid reservoir).

WARNING!

If the fluid level is below the MIN mark in the reservoir, **DO NOT DRIVE**. Have the car towed to an authorized Volvo retailer and have the brake system inspected.

- If the brake fluid level is above the MIN mark, drive carefully to an authorized Volvo retailer and have the brake system inspected.

Emergency Brake Assistance (EBA)

The EBA function is designed to provide full brake effect immediately in the event of sudden, hard braking. The system is activated by the speed with which you depress the brake pedal.

When the EBA system is activated, the brake pedal will go down and pressure in the brake system immediately increases to the maximum level. You must maintain full pressure on the brake pedal in order to utilize the system completely. EBA is automatically deactivated when the brake pedal is released.

When the car has been parked for some time, the brake pedal may sink more than usual when the engine is started. This is normal and the pedal will return to its usual position when it is released.

pg. 115 STC/DSTC



Stability Traction Control (STC)*/ Dynamic Stability Traction Control (DSTC)**

* Standard except on R-models.

** Standard on R-models, option on all other models

The stability systems consist of a number of functions:

The following two functions are common to both STC/DSTC

1. Traction control (TC)

This function is designed to help reduce wheel spin by transferring power from a drive wheel that begins to lose traction to the wheel on the opposite side of the car (on the same axle). TC monitors and compares the rotational speed of the drive wheels. If one of the drive wheels shows a tendency to spin, the difference in speed is immediately detected. This triggers the Anti-lock Brake System, which brakes the spinning wheel until the difference in rotational speed is corrected.

TC is most active at low speeds, and a pulsating sound will be audible when the system is regulating wheel spin. This is quite normal. This is one of the STC/DSTC's permanent functions and is not affected when the button on the center control panel is pressed.

2. Spin control (SC)

The spin control function is designed to help prevent the drive wheels from spinning while the car is accelerating. This is done by temporarily reducing engine torque to the drive wheels, which helps improve stability and tractive force.

Under certain circumstances, such as when driving with snow chains, or driving in deep snow or loose sand, it may be advisable to temporarily switch off this function for maximum tractive force. This is done by pressing the STC/DSTC button on the center control panel for at least a half a second.

When the SC function has been switched off:

- The text window (see [page 30](#)) will briefly display "SPIN CONTROL OFF"
- The LED in the STC/DSTC button will be off.

The following function is only available with DSTC:

3. Active Yaw Control (AYC)

This function helps maintain directional stability, for example when cornering, by braking one or more of the wheels if the car shows a tendency to skid or slide laterally. This is done by activating the Anti-lock Braking System. A pulsating sound will be audible when the function is active, which is quite normal. If you apply the brakes while this function is active, the brake pedal will feel stiffer than usual. This is also one of the DSTC system's permanent functions and is not affected when the DSTC button on the center control panel is pressed.

R-models only:

The AYC function can be deactivated. This is done by pressing the DSTC button on the center control panel (see the illustration on [page 31](#)) for approximately one second. This procedure must be repeated 5 times, after which "DSTC REDUCED FUNCTION" will be displayed in the text window. AYC will be automatically reactivated the next time the ignition is switched on.

WARNING!

With AYC disabled, the car's handling and stability characteristics will be altered.



[Contents](#) | [Top of Page](#)

2006 VOLVO V70

Chapter 7 - Wheels and tires

pg.117 Wheels and tires

<u>General information</u>	<u>118</u>
<u>Tire inflation</u>	<u>120</u>
<u>Tire inflation pressure tables</u>	<u>122</u>
<u>Tire Pressure Monitoring System (TPMS)</u>	<u>123</u>
<u>Self supporting run flat tires</u>	<u>125</u>
<u>Tire designations</u>	<u>126</u>
<u>Glossary of tire terminology</u>	<u>127</u>
<u>Vehicle loading</u>	<u>128</u>
<u>Uniform Tire Quality Grading</u>	<u>129</u>
<u>Snow chains, snow tires, studded tires</u>	<u>130</u>
<u>Temporary spare</u>	<u>131</u>
<u>Changing a wheel</u>	<u>132</u>

pg. 118 Wheels and tires

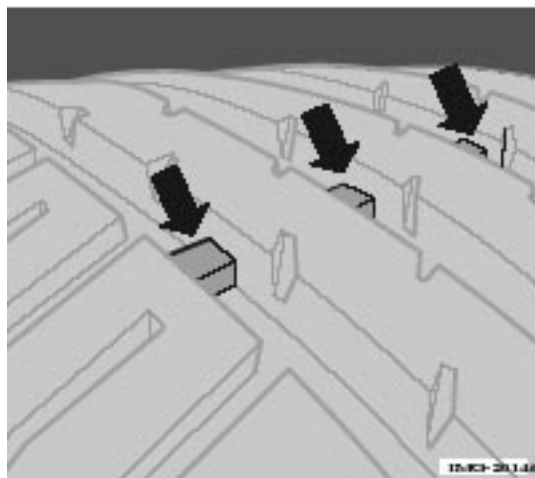
General information

Your vehicle is equipped with tires according to the vehicle's tire information placard on the B-pillar (the structural member at the side of the vehicle, at the rear of the driver's door opening), or on the inside of the fuel filler door on Canadian models.

The tires have good road holding characteristics and offer good handling on dry and wet surfaces. It should be noted however that the tires have been developed to give these features on snow/ice-free surfaces.

Certain models are equipped with "all-season" tires, which provide a somewhat higher degree of road holding on slippery surfaces than tires without the "all-season" rating. However, for optimum road holding on icy or snow-covered roads, we recommend suitable winter tires on all four wheels.

When replacing tires, be sure that the new tires are the same size designation, type (radial) and preferably from the same manufacturer, on all four wheels. Otherwise there is a risk of altering the car's roadholding and handling characteristics.



Tread wear indicator

Tread wear indicator

The tires have wear indicator strips running across or parallel to the tread. The letters TWI are printed on the side of the tire. When approximately 1/16" (1.6 mm) is left on the tread, these strips become visible and indicate that the tire should be replaced. Tires with less than 1/16" (1.6 mm) tread offer very poor traction.

When replacing worn tires, it is recommended that the tire be identical in type (radial) and size as the one being replaced. Using a tire of the same make (manufacturer) will prevent alteration of the driving characteristics of the vehicle.

New tires

Remember that tires are perishable goods. As of 2000, the manufacturing week and year will be indicated with 4 digits (e.g. 1502 means that the tire illustrated was manufactured during week 15 of 2002).

Storing wheels and tires

When storing complete wheels (tires mounted on rims), they should be suspended off the floor or placed on their sides on the floor. Tires not mounted on rims should be stored on their sides or standing upright, but should not be suspended.

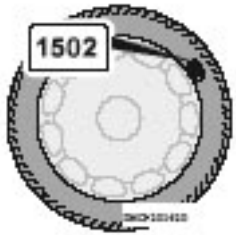
CAUTION!

Tires should preferably be stored in a cool, dry, dark place, and should never be stored in close proximity to solvents, gasoline, oils, etc.

WARNING!

- The wheel and tire sizes for your Volvo are specified to meet stringent stability and handling requirements. Unapproved wheel/tire size combinations can negatively affect your vehicle's stability and handling. Approved tire sizes are shown in the Tire inflation pressure tables on [page 122](#).
- Any damage caused by installation of unapproved wheel/tire size combinations will not be covered by your new vehicle warranty. Volvo assumes no responsibility for death, injury, or expenses that may result from such installations.

pg. 119 Wheels and tires

**Tire age**

Tires degrade over time, even when they are not being used, which can affect their reliability and roadholding characteristics. Therefore, all tires older than 6 years (including the spare tire and winter tires) should be inspected by a qualified technician, regardless of appearance or mileage. Heat caused by hot climates or frequent high loading conditions can accelerate the aging process.

A tire's age can be determined by the DOT stamp on the sidewall (see the illustration above).

A tire with e.g., visible cracks or discoloration should be replaced immediately.

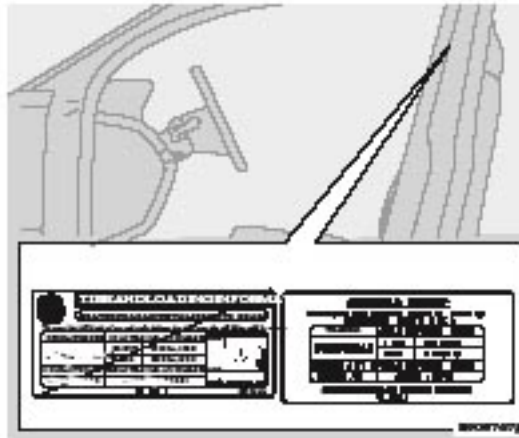
Improving tire economy:

- Maintain correct tire pressure. See the tire pressure table on [page 122](#).
- Drive smoothly: avoid fast starts, hard braking and tire screeching.
- Tire wear increases with speed.
- Correct front wheel alignment is very important.
- Unbalanced wheels impair tire economy and driving comfort.
- Tires must maintain the same direction of rotation throughout their lifetime.
- When replacing tires, the tires with the most tread should be mounted on the rear wheels to reduce the

chance of oversteer during hard braking.

Hitting curbs or potholes can damage the tires and/or wheels permanently.

pg. 120 Wheels and tires

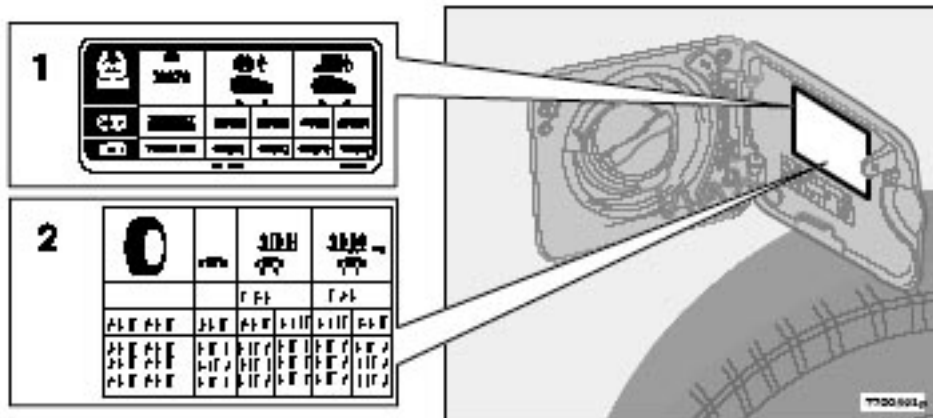


Tire inflation placards on U.S. models

Tire inflation

Check tire inflation pressure regularly.

A table listing the recommended inflation pressure for your vehicle can be found on [page 122](#). Tire inflation pressure placards are also located on the driver's side B-pillar (the structural member at the side of the vehicle, at the rear of the driver's door opening), or on the inside of the fuel filler door on Canadian models. These placards indicate the designation of the factory-mounted tires on your vehicle, as well as load limits and inflation pressure.



Tire inflation placard on Canadian models, 1. XC70, 2. V70

NOTE: The placards shown indicate inflation pressure for the tires installed on the car at the factory only.

- Use a tire gauge to check the tire inflation pressure, including the spare, at least once a month and before long trips. You are strongly urged to buy a reliable tire pressure gauge, as automatic service station gauges may be inaccurate.
- Use the recommended cold inflation pressure for optimum tire performance and wear.
- Under-inflation or over-inflation may cause uneven treadwear patterns.

When weather temperature changes occur, tire inflation pressures also change. A 10-degree temperature drop causes a corresponding drop of 1 psi (7 kPa) in inflation pressure. Check your tire pressures frequently and adjust them to the proper pressure, which can be found on the vehicle's tire information placard or certification label.

Checking tire pressure

Cold tires

Inflation pressure should be checked when the tires are cold.

The tires are considered to be cold when they have the same temperature as the surrounding (ambient) air.

This temperature is normally reached after the car has been parked for at least 3 hours.

pg. 121 Wheels and tires

After driving a distance of approximately 1 mile (1.6 km), the tires are considered to be hot. If you have to drive farther than this distance to pump your tire(s), check and record the tire pressure first and add the appropriate air pressure when you get to the pump.

If checking tire pressure when the tire is hot, never "bleed" or reduce air pressure. The tires are hot from driving and it is normal for pressures to increase above recommended cold pressures. A hot tire at or below recommended cold inflation pressure could be significantly under-inflated.

To check inflation pressure:

1. Remove the cap from the valve on one tire, then firmly press the tire gauge onto the valve.
2. Add air to reach the recommended air pressure
3. Replace the valve cap.
4. Repeat this procedure for each tire, including the spare.
5. Visually inspect the tires to make sure there are no nails or other objects embedded that could puncture the tire and cause an air leak.
6. Check the sidewalls to make sure there are no gouges, cuts, bulges or other irregularities.

NOTE:

- If you overfill the tire, release air by pushing on the metal stem in the center of the valve. Then recheck the pressure with your tire gauge.
- Some spare tires require higher inflation pressure than the other tires. Consult the tire inflation table on [page 122](#) or see the inflation pressure placard.

pg. 122 Wheels and tires

Tire inflation pressure tables

Tire pressures recommended by Volvo for your vehicle. Refer to the tire inflation placard for information specific to the tires installed on your vehicle at the factory.

Cold tire pressure for vehicle loads up to 930 lbs (420 kg) ¹		
Tire size	Front, psi (kPa)	Rear, psi (kPa)
V70		
195/65R15	38 (260)	38 (260)
205/55R16	38 (260)	38 (260)
215/55R16	38 (260)	38 (260)
235/45R17	38 (260)	38 (260)
235/45R17 SSRFT ²	38 (260)	38 (260)
Temporary spare tire T125/80R17	61 (420)	61 (420)
V70 R		
235/45R17	39 (270)	39 (270)
Temporary spare tire T115/85R18	61 (420)	61 (420)
XC70		
215/65R16	38 (260) ³	38 (260)
215/60R17	38 (260) ³	38 (260)
Temporary spare tire T135/90R17	61 (420)	61 (420)

¹ These weights include the weight of all occupants of the car plus cargo.

² Self supporting run flat tires. See [page 119](#) for more information.

³ Canadian models: 35 psi (240 kPa).

Optional tire pressure. These inflation pressures may only be used when the vehicle is not fully loaded.

Optional cold tire pressure that may only be used for vehicle loads up to 495 lbs (225 kg).		
Tire size	Front, psi (kPa)	Rear, psi (kPa)
V70		
195/65R15	32 (220)	30 (210)
205/55R16	32 (220)	30 (210)
215/55R16	32 (220)	30 (210)
235/45R17	32 (220)	30 (210)
235/45R17 SSRFT	-	-
Temporary spare tire T125/80R17	61 (420)	61 (420)
V70 R		
235/45R17	35 (240)	35 (240)
Temporary spare tire T115/85R18	61 (420)	61 (420)
XC70		
215/65R16	30 (210) ⁴	30 (210) ⁴
215/60R17	30 (210) ⁴	30 (210) ⁴
Temporary spare tire T135/90R17	61 (420)	61 (420)

⁴ The optional tire pressure shown in this table may not be used on XC70s equipped with the Tire Pressure Monitoring System (option as available). Vehicles with this system must use the standard tire pressure listed in the table in the left column (38 psi/260 kPa).

pg. 123 Wheels and tires

Tire Pressure Monitoring System (TPMS) - option on certain U.S. models only

The tire pressure monitoring system uses sensors mounted in the tire valves to check inflation pressure levels. When the vehicle is moving at a speed of 20 mph (30 km/h) or faster, these sensors transmit

inflation pressure data to a receiver located in the vehicle.

USA - FCC ID: MRXTG315AM04

This device complies with part 15 of the FCC rules. Operation is subject to the following conditions: (1) This device may not cause harmful interference, and (2) this device must accept any interference received, including interference that may cause undesired operation.

WARNING!

The TPMS system uses a radio frequency of 315 MHz. Accessory electrical equipment using the same frequency could interfere with TPMS and should not be installed in the vehicle. Please consult your Volvo retailer, a qualified Volvo service technician, or the accessory equipment's supplier for further information.

When low inflation pressure is detected, TPMS will light up the tire pressure warning light (ⓘ) i (also referred to as a telltale) in the instrument panel, and will display a message in the text window. The wording of this message is determined by the degree of inflation pressure loss.

When the tire pressure monitoring system warning light is on, one or more of your tires is significantly under-inflated. You should stop and check your tires as soon as possible, and inflate them to the proper pressure as indicated on the vehicle's tire information placard.

Driving on a significantly under-inflated tire causes the tire to overheat and can lead to tire failure. Under-inflation also reduces fuel efficiency and tire tread life, and may affect the vehicle's handling and stopping ability. Each tire, including the spare, should be checked monthly when cold and set to the recommended inflation pressure as specified in the vehicle placard and owner's manual.

NOTE: If a fault occurs in TPMS, the tire pressure warning light will flash for approximately 1 minute and TIRE PRESS SYST SERVICE REQUIRED will be displayed.

Each tire, including the spare (if provided), should be checked monthly when cold and inflated to the inflation pressure recommended by the vehicle manufacturer on the vehicle placard or tire inflation pressure label. (If your vehicle has tires of a different size than the size indicated on the vehicle placard or tire inflation pressure label, you should consult the appropriate section of this owner's manual to determine the proper tire inflation pressure.) When the low tire pressure telltale is illuminated, one or more of your tires is significantly underinflated. You should stop and check your tires as soon as possible, and inflate them to the proper pressure. Driving on a significantly underinflated tire causes the tire to overheat and can lead to tire failure. Under-inflation also reduces fuel efficiency and tire tread life, and may affect the vehicle's handling and stopping ability. Your vehicle has also been equipped with a TPMS malfunction telltale to indicate when the system is not operating properly. When the

malfunction telltale is illuminated, the system may not be able to detect or signal low tire pressure as intended. TPMS malfunctions may occur for a variety of reasons, including the installation of incompatible replacement tires on the vehicle. Always check the TPMS malfunction telltale after replacing one or more tires on your vehicle to ensure that the replacement tires are compatible with the TPMS.

NOTE: TPMS indicates low tire pressure but does not replace normal tire maintenance. For information on correct tire pressure, please refer to the table on [page 122](#), or consult your Volvo retailer.

Erasing warning messages

When a low tire pressure warning message has been displayed, and the tire pressure warning light has come on:

1. Use a tire pressure gauge to check the inflation pressure of all four tires.
2. Re-inflate the tire(s) to the correct pressure (consult the tire pressure placard or the table on [page 122](#)).
3. Drive the car for several minutes at a speed of 20 mph (30 km/h) or faster.

This will erase the warning text and the warning light will go out.

WARNING!

Incorrect inflation pressure could lead to tire failure, resulting in a loss of control of the vehicle.

(Contd. on following page)

pg. 124 Wheels and tires

Changing tires

Please note the following when changing or replacing the factory installed TPMS wheels/ tires on the vehicle:

- Only the factory-mounted wheels are equipped with TPMS sensors in the valves.
- If the vehicle is equipped with a temporary spare tire, this tire does not have a TPMS sensor.
- If winter wheels without TPMS sensors are mounted on the vehicle, TIRE PRESS SYST SERVICE REQUIRED will be displayed each time the vehicle is driven above 25 mph (40 km/h) for 10 minutes or more.
- Once TPMS sensors are properly installed, the warning message should not reappear.
- Volvo recommends that TPMS sensors be fitted on all wheels used on the vehicle. Volvo does not recommend moving sensors back and forth between sets of wheels.

CAUTION!

When inflating tires with TPMS valves, press the pump's mouthpiece straight onto the valve to help avoid bending or otherwise damaging the valve.

pg. 125 Wheels and tires

Self supporting run flat tires (option)

Certain models equipped with the Tire Pressure Monitoring System (TPMS) can also be equipped with self supporting run flat tires.

Tires of this type have specially reinforced sidewalls that make it possible to continue driving in the event of a drop in inflation pressure. Tires of this type are mounted on special rims.

NOTE: Self supporting run flat tires are only available in conjunction with TPMS.

If a self supporting run flat tire should lose inflation pressure, the yellow TPMS warning symbol (U) in the instrument panel lights up to alert the driver, and a message will be shown in the text window in the instrument panel.

If this occurs, reduce vehicle speed to a maximum of 50 mph (80 km/h). The vehicle can be driven approximately 50 miles (80 km), or somewhat farther if the vehicle is not heavily loaded. The tire should be replaced as soon as possible.

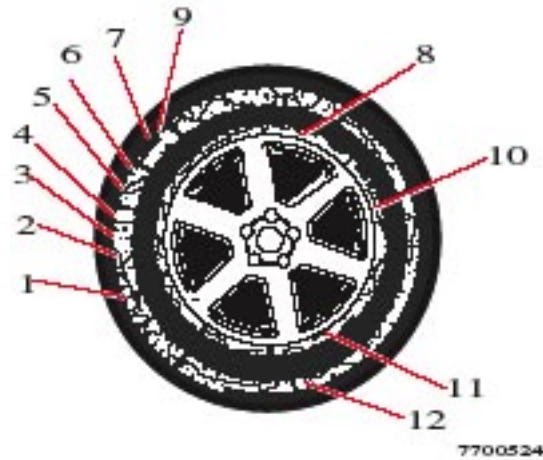
Hard braking and sudden steering maneuvers should be avoided.

In certain cases, it may be difficult to see which self supporting run flat tire is defective. To determine which tire is damaged, check the inflation pressure of all four tires.

WARNING!

- Only specially trained persons should mount self supporting run flat tires.
- If self supporting run flat tires are mounted, the vehicle must be equipped with a Tire Pressure Monitoring System.
- After a low pressure warning has been displayed, do not exceed 50 mph (80 km/h).
- Avoid severe cornering and hard braking, and minimize the distance traveled before replacing the self supporting run flat tire.
- Self supporting run flat tires cannot be repaired. They must be replaced if damaged or punctured.

pg. 126 Wheels and tires



Tire designations

Federal law mandates that tire manufacturers place standardized information on the sidewall of all tires (see the illustration).

The following information is listed on the tire sidewall:

The tire designation (the following figures are examples of a tire designation):

1. 215: the width of the tire (in millimeters) from sidewall edge to sidewall edge. The larger the number, the wider the tire.
2. 65: The ratio of the tire's height to its width.
3. R: Radial tire.
4. 15: The diameter of the wheel rim (in inches).
5. 95: The tire's load index. In this example, a load index of 95 equals a maximum load of 1521 lbs (690 kg).
6. H: The tire's speed rating, or the maximum speed at which the tire is designed to be driven for extended periods of time, carrying a permissible load for the vehicle, and with correct inflation pressure. For example, H indicates a speed rating of 130 mph (210 km/h).

NOTE: This information may not appear on the tire because it is not required by law.

7. M+S or M/S = Mud and Snow, AT = All Terrain, AS = All Season

8. U.S. DOT Tire Identification Number (TIN): This begins with the letters "DOT" and indicates that the

tire meets all federal standards. The next two numbers or letters are the plant code where it was manufactured, the next two are the tire size code and the last four numbers represent the week and year the tire was built. For example, the numbers 317 mean the 31st week of 1997. After 2000 the numbers go to four digits. For example, 2501 means the 25th week of 2001. The numbers in between are marketing codes used at the manufacturer's discretion. This information helps a tire manufacturer identify a tire for safety recall purposes.

9. **Tire Ply Composition and Material Used:** Indicates the number of plies indicates or the number of layers of rubber-coated fabric in the tire tread and sidewall. Tire manufacturers also must indicate the ply materials in the tire and the sidewall, which include steel, nylon, polyester, and others.

10. **Maximum Load:** Indicates the maximum load in pounds and kilograms that can be carried by the tire. Refer to the vehicle's tire information placard or the safety certification label, located on the B-Pillar or the driver's door or on the inside of the fuel filler door on Canadian models, for the correct tire pressure for your vehicle.

11. **Treadwear, Traction, and Temperature grades:** See [page 129](#) for more information.

12. **Maximum permissible inflation pressure:** the greatest amount of air pressure that should ever be put in the tire. This limit is set by the tire manufacturer.

pg. 127 Wheels and tires

Glossary of tire terminology

The tire suppliers may have additional markings, notes or warnings such as standard load, radial tubeless, etc.

Glossary of tire terminology

- **Tire information placard:** A placard showing the OE (Original Equipment) tire sizes, recommended inflation pressure, and the maximum weight the vehicle can carry.
- **Tire Identification Number (TIN):** A number on the sidewall of each tire providing information about the tire brand and manufacturing plant, tire size and date of manufacturer.
- **Inflation pressure:** A measure of the amount of air in a tire.
- **Standard load:** A class of P-metric or Metric tires designed to carry a maximum load at 35 psi [37 psi (2.5 bar) for Metric tires]. Increasing the inflation pressure beyond this pressure will not increase the tires load carrying capability.
- **Extra load:** A class of P-metric or Metric tires designed to carry a heavier maximum load at 41 psi [43 psi (2.9 bar) for Metric tires]. Increasing the inflation pressure beyond this pressure will not increase the tires load carrying capability.
- **kPa:** Kilopascal, a metric unit of air pressure.

- **PSI:** Pounds per square inch, a standard unit of air pressure.
- **B-pillar:** The structural member at the side of the vehicle behind the front door.
- **Bead area of the tire:** Area of the tire next to the rim.
- **Sidewall of the tire:** Area between the bead area and the tread.
- **Tread area of the tire:** Area of the perimeter of the tire that contacts the road when mounted on the vehicle.
- **Rim:** The metal support (wheel) for a tire or a tire and tube assembly upon which the tire beads are seated.
- **Maximum load rating:** a figure indicating the maximum load in pounds and kilograms that can be carried by the tire. This rating is established by the tire manufacturer.
- **Maximum permissible inflation pressure:** the greatest amount of air pressure that should ever be put in the tire. This limit is set by the tire manufacturer.
- **Recommended tire inflation pressure:** inflation pressure, established by Volvo, which is based on the type of tires that are mounted on a vehicle at the factory. This inflation pressure is affected by the number of occupants in the car, the amount of cargo, and the speed at which the vehicle will be driven for a prolonged period. This information can be found on the tire inflation placard(s) located on the driver's side B-pillar or on the inside of the fuel filler door on Canadian models, and in the tire inflation table in this chapter.
- **Cold tires:** The tires are considered to be cold when they have the same temperature as the surrounding (ambient) air. This temperature is normally reached after the car has been parked for at least 3 hours.

pg. 128 Wheels and tires

Vehicle loading

Properly loading your vehicle will provide maximum return of vehicle design performance. Before loading your vehicle, familiarize yourself with the following terms for determining your vehicle's weight ratings, with or without a trailer, from the vehicle's Federal/ Canadian Motor Vehicle Safety Standards (FMVSS/CMVSS) label, and the vehicle's tire information placard:

Curb weight

The weight of the vehicle including a full tank of fuel and all standard equipment. It does not include passengers, cargo, or optional equipment.

Capacity weight

All weight added to the curb weight, including cargo and optional equipment. When towing, trailer hitch tongue load is also part of cargo weight.

NOTE: For trailer towing information, please refer to the section "Towing a trailer" on [page 107](#).

Permissible axle weight

The maximum allowable weight that can be carried by a single axle (front or rear). These numbers are shown on the Federal/Canadian Motor Vehicle Safety Standards (FMVSS/ CMVSS) label. The total load on each axle must never exceed its maximum permissible weight.

Gross vehicle weight (GVW)

The vehicle's curb weight + cargo + passengers.

NOTE:

- The location of the various labels in your vehicle can be found on [page 160](#).
- A table listing important weight limits for your vehicle can be found on [page 166](#).

Steps for Determining Correct Load Limit

- (1) Locate the statement "the combined weight of occupants and cargo should never exceed XXX pounds" on your vehicle's placard.
- (2) Determine the combined weight of the driver and passengers that will be riding in your vehicle.
- (3) Subtract the combined weight of the driver and passengers from XXX kilograms or XXX pounds.
- (4) The resulting figure equals the available amount of cargo and luggage load capacity. For example, if the "XXX" amount equals 1400 lbs. and there will be five 150 lb. passengers in your vehicle, the amount of available cargo and luggage load capacity is 650 lbs. (1400-750 (5 x 150) = 650 lbs.)
- (5) Determine the combined weight of luggage and cargo being loaded on the vehicle. That weight may not safely exceed the available cargo and luggage load capacity calculated in Step 4.
- (6) If your vehicle will be towing a trailer, load from your trailer will be transferred to your vehicle. Consult this manual¹ to determine how this reduces the available cargo and luggage load capacity of your vehicle.

WARNING!

- Exceeding the permissible axle weight, gross vehicle weight, or any other weight rating limits can cause tire overheating resulting in permanent deformation or catastrophic failure.
- Do not use replacement tires with lower load carrying capacities than the tires that were original equipment on the vehicle because this will lower the vehicle's GVW rating. Replacement tires with a higher limit than the originals do not increase the vehicle's GVW rating limitations.

¹ See "Towing a trailer" on [page 107](#).

Uniform tire quality grading

ALL PASSENGER VEHICLE TIRES MUST CONFORM TO FEDERAL SAFETY

REQUIREMENTS IN ADDITION TO THESE GRADES>

Quality grades can be found, where applicable, on the tire sidewall between the tread shoulder and maximum section width. For example: Treadwear 200 Traction AA Temperature A

TREADWEAR

The treadwear grade is a comparative rating based on the wear rate of the tire when tested under controlled conditions on a specified government test course. For example, a tire graded 150 would wear one and one half (1 1/2) times as well on the government course as a tire graded 100. The relative performance of tires depends upon the actual conditions of their use, however, and many depart significantly from the norm due to variation in driving habits, maintenance practices and differences in road characteristics and climate.

TRACTION

The traction grades, from highest to lowest, are AA, A, B, and C, as measured under controlled conditions on specified government test surfaces of asphalt and concrete. A tire marked C may have poor traction performance.

WARNING!

The traction grade assigned to this tire is based on braking (straight-ahead) traction tests and is not a measure of cornering (turning) traction.

TEMPERATURE

The temperature grades are AA (the highest), A, B, and C, representing the tire's resistance to the generation of heat and its ability to dissipate heat when tested under controlled conditions on a specified indoor laboratory test wheel. Sustained high temperature can cause the material of the tire to degenerate and reduce tire life, and excessive temperature can lead to sudden tire failure. The grade C corresponds to a minimum level of performance that all passenger vehicle tires must meet under the Federal Motor Safety Standard No. 109. Grades B and A represent higher levels of performance on the laboratory test wheel than the minimum required by law.

WARNING!

The temperature grade for this tire is established for a tire that is properly inflated and not overloaded. Excessive speed, under-inflation, or excessive loading, either separately or in combination, can cause heat buildup and tire failure.

Snow chains, snow tires, studded tires

Snow chains

Snow chains can be used on your Volvo with the following restrictions:

- **Snow chains should be installed on front wheels only. Use only Volvo approved snow chains.**
- **If accessory, aftermarket or "custom" tires and wheels are installed and are of a size different than the original tires and wheels, chains in some cases CANNOT be used. Sufficient clearances between chains and brakes, suspension and body components must be maintained.**
- **Some strap-on type chains will interfere with brake components and therefore CANNOT be used.**
- **All Wheel Drive models: Snow chains should only be installed on the front wheels. Only chains adapted for AWD models should be used.**

Consult your Volvo retailer for additional snow chain information.

CAUTION:

- **Check local regulations regarding the use of snow chains before installing.**
 - **Always follow the chain manufacturer's installation instructions carefully. Install chains as tightly as possible and retighten periodically.**
 - **Never exceed the chain manufacturer's specified maximum speed limit. (Under no circumstances should you exceed 31 mph (50 km/h)).**
 - **Avoid bumps, holes or sharp turns when driving with snow chains.**
 - **The handling of the vehicle can be adversely affected when driving with chains. Avoid fast or sharp turns as well as locked wheel braking.**
-

Snow tires, studded tires¹

Tires for winter use:

- **Owners who live in or regularly commute through areas with sustained periods of snow or icy driving conditions are strongly advised to fit suitable winter tires to help retain the highest degree of traction.**
- **It is important to install winter tires on all four wheels to help retain traction during cornering, braking, and accelerating. Failure to do so could reduce traction to an unsafe level or adversely**

affect handling.

- Do not mix tires of different design as this could also negatively affect overall tire road grip.
- Winter tires wear more quickly on dry roads in warm weather. They should be removed when the winter driving season has ended.
- Studded tires should be run-in 300-600 miles (500-1000 km) during which the car should be driven as smoothly as possible to give the studs the opportunity to seat properly in the tires. The tires should have the same rotational direction throughout their entire lifetime.

NOTE: Please consult state or provincial regulations restricting the use of studded winter tires before installing such tires.

¹ Where permitted

pg. 131 Wheels and tires

Temporary Spare

The spare tire in your car is called a "Temporary Spare".

Recommended tire pressure (see the placard on the B-pillar or on the fuel filler door) should be maintained irrespective of which position on the car the temporary spare tire is used on.

In the event of damage to this tire, a new one can be purchased from your Volvo retailer.

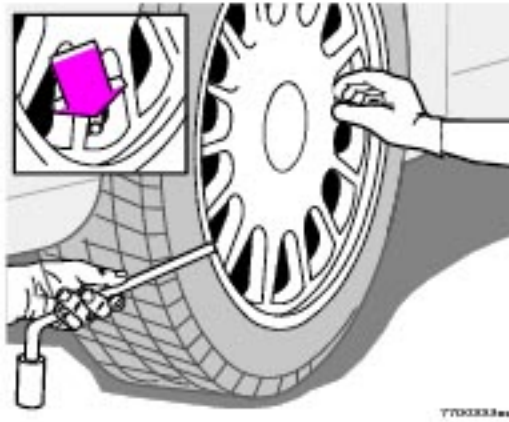
WARNING!

Current legislation prohibits the use of the "Temporary Spare" tire other than as a temporary replacement for a punctured tire. It must be replaced as soon as possible by a standard tire. Road holding and handling may be affected with the "Temporary Spare" in use. Do not exceed 50 mph (80 km/h). Do not drive farther than 50 miles (80 km) on a temporary spare tire.

CAUTION:

The car must not be driven with wheels of different dimensions or with a spare tire other than the one that came with the car. The use of different size wheels can seriously damage your car's transmission.

pg. 132 Changing a wheel

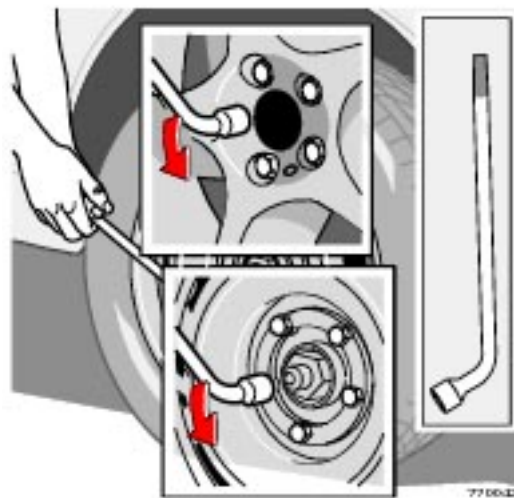


Insert flat end of lug wrench and turn/pull straight out

Changing a wheel

The spare wheel is located under the carpet on the cargo area floor. The jack and crank are secured in the wheel recess.

- Engage the parking brake.
- Put the gear selector in (P)ark (automatic) or in Reverse (manual).
- With the car still on the ground, use the lug wrench to loosen the wheel bolts 1/2 -1 turn. Turn the bolts counterclockwise to loosen.
- Fold out the crank handle on the jack by pressing the knob on the handle downward. To attach the jack, refer to the illustration on the following page.

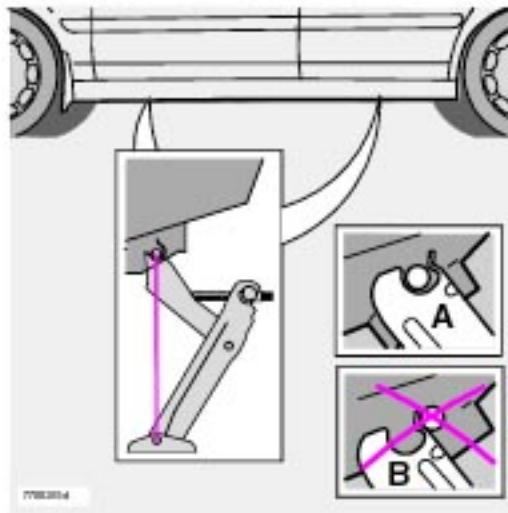


Loosen wheel bolts

There is a jack attachment located in the center on each side of the car. Position the jack on the bar in the attachment as shown in illustration above and crank while simultaneously guiding the base of the jack to the ground. The base of the jack must be flat on a level, firm, non-slippery surface. Before raising the car, check that the jack is still correctly positioned in the attachment.

WARNING!

The jack's attachment must engage the bar in the jack attachment (see inset illustration above). The car's weight must not rest on the jack attachment.

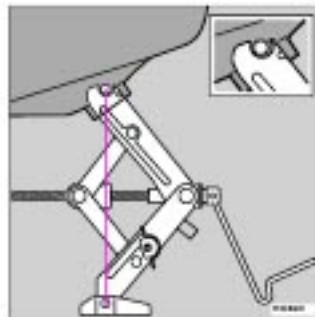


Attaching the jack

Raise the vehicle until both wheels on the side of the car where the jack is attached are lifted off the ground. Unscrew the wheel bolts completely and carefully remove the wheel so as not to damage the thread on the studs.

NOTE: To avoid excessive wear and the necessity of rebalancing, mark and reinstall wheels in the same location and position as before removal. To lessen the chance of imbalance, each wheel hub is equipped with a guide stud to ensure that a removed wheel can be reinstalled in its original position (as when changing over to winter tires/wheels).

pg. 133 Changing a wheel



Jack for AWD models

CAUTION:

The car must not be driven with wheels of different dimensions or with a spare tire other than the one that came with the car. The use of different size wheels can seriously damage your car's transmission.

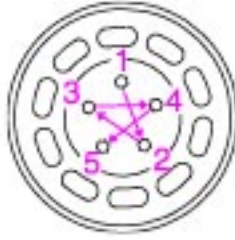
WARNING!

- The jack's attachment must engage the bar in the jack attachment (see inset illustration on the previous page). The car's weight must not rest on the jack attachment.
- Be sure the jack is on a firm, level, non-slippery surface.
- Never allow any part of your body to be extended under a car supported by a jack.
- Use the jack intended for the car when replacing a wheel. For any other job, use stands to support the side of the car being worked on.
- Apply the parking brake, select position P (automatic transmission) or Reverse gear (manual transmission).
- Block the wheels standing on the ground, use rigid wooden blocks or large stones.
- The jack should be kept well-greased.

Installing the wheel

Clean the contact surfaces on the wheel and hub. Lift the wheel and place it on the hub. Make sure that you align the wheel with the guide stud on the wheel hub prior to installation. Install the wheel bolts crosswise (see illustration) and tighten by turning lightly clockwise. Lower the vehicle to the ground and alternately tighten the bolts to 102 ft. lbs. (140 Nm). Install the wheel cap (where applicable).

CAUTION: Correct tightening torque on wheel bolts must be observed. The wheel bolts should never be greased or lubricated. The extended, chromed wheel bolts must not be used with steel rims, as they make it impossible to fit the hub caps.



Correct tightening order for wheel bolts

pg. 134 This page intentionally left blank.



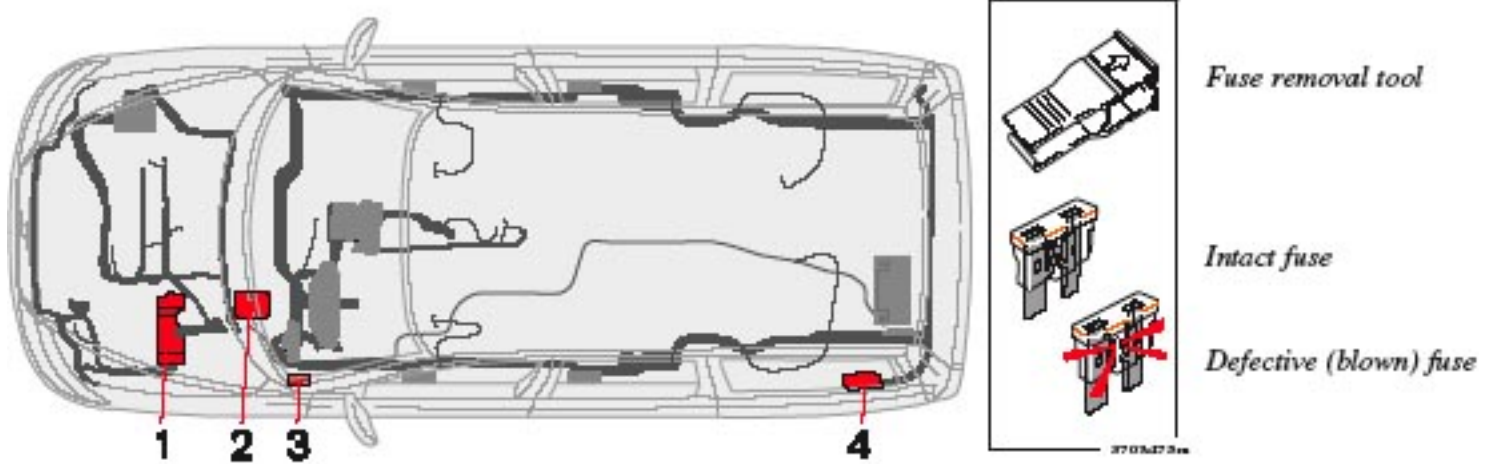
[Contents](#) | [Top of Page](#)

**2 0 0 6
VOLVO
V70**

Chapter 8 - Maintenance/Serviceing

pg. 135 Maintenance/Serviceing

<u>Fuses</u>	<u>136</u>
<u>Replacing bulbs</u>	<u>141</u>
<u>Paint touch up</u>	<u>148</u>
<u>Washing the car</u>	<u>149</u>
<u>Cleaning the upholstery</u>	<u>151</u>
<u>Maintenance service, Warranty</u>	<u>152</u>
<u>Fuel/emissions systems</u>	<u>153</u>
<u>Drive belt, Coolant</u>	<u>154</u>
<u>Maintaining your car</u>	<u>155</u>
<u>Serviceing</u>	<u>157</u>
<u>Opening the hood, Engine compartment</u>	<u>158</u>
<u>Engine oil</u>	<u>159</u>
<u>Power steering/Brake fluid reservoirs</u>	<u>161</u>
<u>Replacing the battery</u>	<u>162</u>
<u>Battery maintenance</u>	<u>163</u>
<u>Replacing wiper blades</u>	<u>164</u>



Replacing fuses

If an electrical component fails to function, it is possible that a fuse has blown due to a temporary circuit overload.

Fuses are located in four different places:

1. Relays/fuse box in the engine compartment
2. Fuse box in the passenger compartment, behind the plastic cover
3. Fuse box in the passenger compartment, on the edge of the dashboard
4. Fuse box in the cargo area

A label on the inside of each cover indicates the amperage and the electrical components that are connected to each fuse.

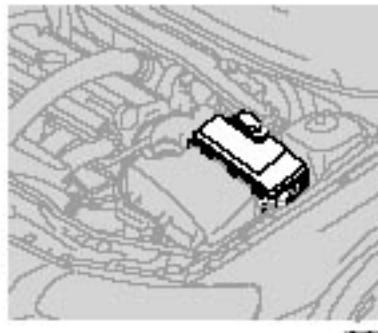
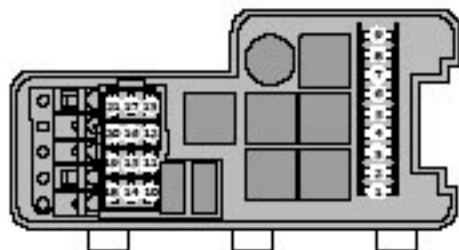
The easiest way to see if a fuse is blown is to remove it. Pull the fuse straight out. If a fuse is difficult to remove, you will find a special fuse removal tool in the passenger compartment fuse box. From the side, examine the curved metal wire to see if it is broken. If so, put in a new fuse of the **same color and amperage** (written on the fuse). Spare fuses are stored in the fuse box in the passenger compartment. If fuses burn out repeatedly, have the electrical system inspected by an authorized Volvo retailer.

WARNING!

Never use fuses with higher amperage than those stated on the following pages. Doing so could overload the car's electrical system.

Relays/fuses in the engine compartment

When replacing fuses, be sure to replace a blown fuse with a new one of the **same color and amperage** (written on the fuse). Fuse amperage is also indicated on the inside of the fuse box cover. Fuses in positions marked X are replacement fuses.



A - To open, press the plastic catches on the sides of the fuse box cover and lift

Ordinary fuses

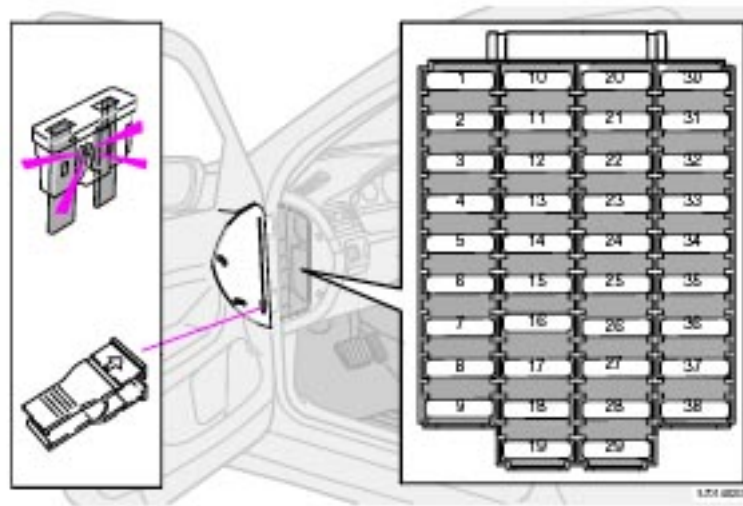
Location	Amperage
1 ABS	30A
2 ABS	30A
3 -	
4 -	
5 Auxiliary lights (option)	20A
6 Starter motor relay	35A
7 Windshield wipers	25A
8 -	
9 Fuel pump	15A
10 Ignition coils, engine control module	20A
11 Throttle pedal sensor, A/C compressor, e-box fan	10A
12 Engine control module, fuel injectors, mass airflow sensor	15A
13 Throttle housing control module	10A
14 Heated oxygen sensor	20A
15 Crankcase ventilation heater, solenoid valves	10A
16 Driver's side low beam headlight.	20A
17 Passenger's side low beam headlight	20A
18 -	

19 Engine control module feed, engine relay	5A
20 Parking lights	15A
21 -	

pg. 138 Fuses in the passenger compartment

Fuse box on the edge of the dashboard

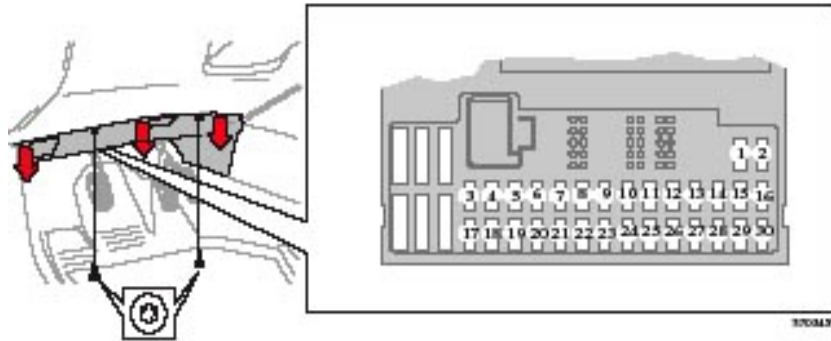
Fuses are located inside the access panel on the edge of the dashboard. When replacing a blown fuse, be sure to replace it with a new one of the **same color and amperage** (written on the fuse).



Location	Amperage
1 Power driver's seat (option)	25A
2 Power passenger's seat (option)	25A
3 Climate system blower	30A
4 Control module - front passenger's door	25A
5 Control module - driver's door	25A
6 Ceiling lighting, upper electrical control module	10A
7 Moon roof (option)	15A
8 Ignition switch, SRS system, engine control module, immobilizer, transmission control module (R-models)	7.5A
9 Onboard diagnostics, headlight switch, steering wheel angle sensor, steering wheel control module	5A
10 Audio system	20A
11 Audio system amplifier	30A
12 Navigation system display (option)	10A

- 13 -
- 14 -
- 15 -
- 16 -
- 17 -
- 18 -
- 19 -
- 20 -
- 21 -
- 22 -
- 23 -
- 24 -
- 25 -
- 26 -
- 27 -
- 28 -
- 29 -
- 30 -
- 31 -
- 32 -
- 33 -
- 34 -
- 35 -
- 36 -
- 37 -
- 38 -

pg. 139 Fuses in the passenger compartment



Fuse box in the passenger compartment, behind the plastic cover

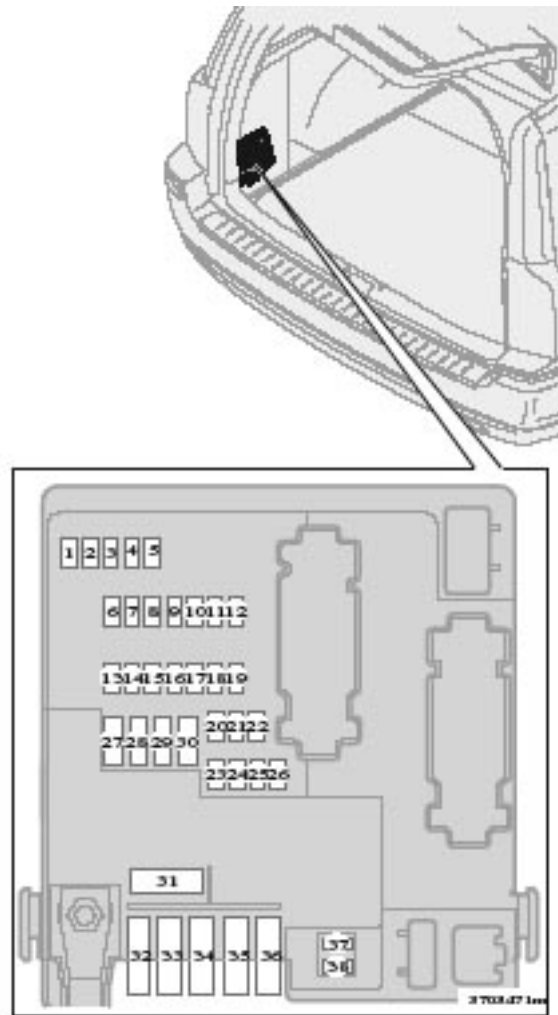
Location	Amperage
1 Heated passenger's seat (option)	15A
2 Heated driver's seat (option)	15A
3 Horn	15A
4 -	
5 -	
6 -	
7 -	
8 Alarm siren	5A
9 Brake light switch feed	5A
10 Instrument panel, climate system, power driver's seat (option), Occupant Weight Sensor (US models only)	10A
11 12-volt sockets - front and rear seats	15A
12 -	
13 -	
14 Headlight wipers (V70 R)	15A
15 ABS, STC/DSTC	5A
16 Power steering, Bi-Xenon headlights (option)	10A
17 Driver's side front foglight (option)	7.5A
18 Passenger's side front foglight (option)	7.5A
19	-
20 -	

21 Transmission control module, reverse gear block (M66)	10A
22 Driver's side high beam	10A
23 Passenger's side high beam	10A
24 -	
25 -	
26 -	
27 -	
28 Power passenger's seat (option), audio system	5A
29 -	
30 -	
31 -	
32 -	
33 Vacuum pump	20A
34 Washer pump - headlight wipers (V70 R)	15A
35 -	
36 -	

pg. 140 Fuses in the cargo compartment

Fuses in the cargo area

The fuses in the cargo area are located behind the panel on the driver's side of the cargo compartment. When replacing a blown fuse, be sure to replace it with a new one of the **same color and amperage** (written on the fuse).



Ordinary fuses

Location	Amperage
1 Backup lights	10A
2 Parking lights, foglights, cargo area lighting, license plate lighting, brake lights	20A
3 Accessory control module	15A
4 -	
5 Rear Electronic Module	10A
6 CD-changer (option), Navigation system (option)	7.5A
7 Trailer wiring (30-feed)	15A
8 12-volt socket - cargo area	15A
9 Rear passenger's side door - power window cut-out function	20A
10 Rear driver's side door - power window, power window cut-out function	20A
11 -	
12 -	
13 -	

14 Subwoofer (option)	15A
15 -	
16 -	
17 Accessory audio	5A
18 -	
19 Tailgate wiper	15A
20 Trailer wiring (15-feed)	20A
21 -	
22 -	
23 All Wheel Drive	7.5A
24 Four-C chassis system (option)	15A
25 -	
26 Park assist (option)	5A
27 Main fuse: trailer wiring, Four-C,park assist, All Wheel Drive	30A
28 Central locking system	15A
29 Driver's side trailer lighting: parking lights, turn signal	25A
30 Passenger's side trailer lighting: parking light, brake light, fog light, turn signal	25A
31 Main fuse: fuses 37 and 38	40A
32 -	
33 -	
34 -	
35 -	
36 -	
37 Heated rear window	20A
38 Heated rear window	20A

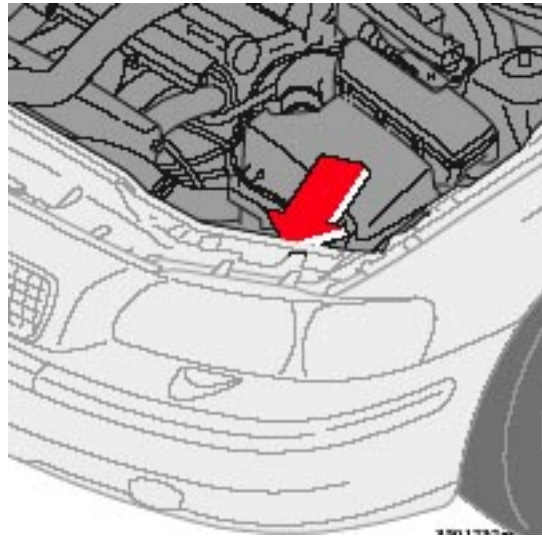
pg. 141 Replacing bulbs

Replacing bulbs

When replacing bulbs, keep the following points in mind:

- Never touch the glass of bulbs with your fingers. Grease and oils from your fingers vaporize in the heat and will leave a deposit on the reflector, which will damage it.
- The optional Bi-Xenon headlight bulbs contain trace amounts of mercury. These bulbs should always be disposed of by an authorized Volvo retailer.

- Certain bulbs not listed here should only be replaced by an authorized Volvo service technician.

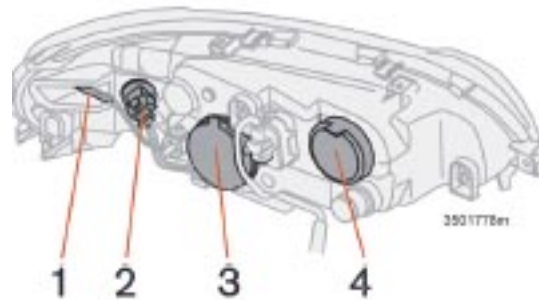


Replacing bulbs at the front of the vehicle

All front bulbs (except the optional front fog lights) are replaced from the engine compartment.

WARNING!

Bi-Xenon headlights (option) - due to the high voltage used by these headlights, these bulbs should only be replaced by an authorized Volvo service technician.



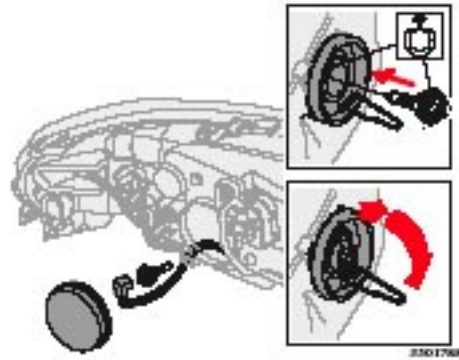
Location of the bulbs in the headlight housing*

1. Side marker light
2. Turn signal
3. Low beam headlight/Parking light
4. High beam headlight

Certain models may have a plastic tube that may hinder access to the bulbs. This tube can be broken off and discarded.

*Models with halogen headlights only

pg. 142 Replacing bulbs

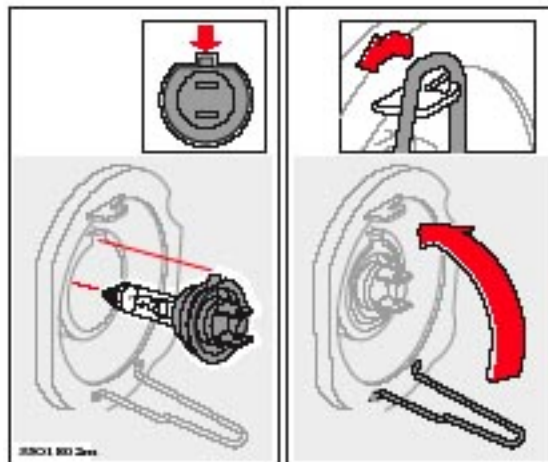


Low beam bulb

Low beam headlight

Removing the defective bulb:

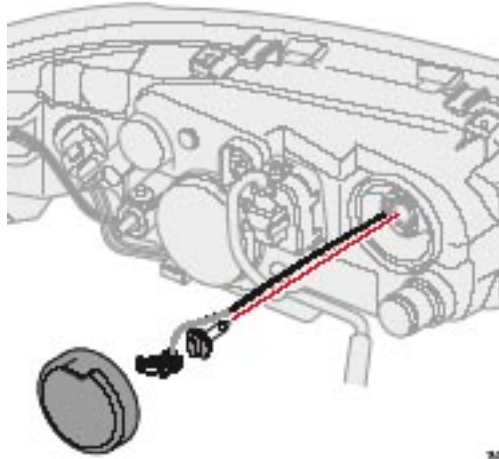
1. Switch off the headlights and turn the ignition switch to position 0.
2. Remove the plastic cover.
3. Disconnect the wiring connector.
4. Loosen the retaining spring by first moving it to the right and then moving it outward and downward, out of the way.
5. Pull out the defective bulb.



Installing the new bulb:

1. Insert the new bulb, without touching the glass, with the guide lug upward. The bulb will only seat properly in this position.
2. Move the retaining spring up and push it slightly to the left until it seats properly.
3. Reconnect the wiring connector.
4. Reinstall the plastic cover.

NOTE: If the vertical aim of your headlights needs to be adjusted for any reason (e.g., towing a trailer for extended periods), this should be done by an authorized Volvo retailer.



High beam bulb

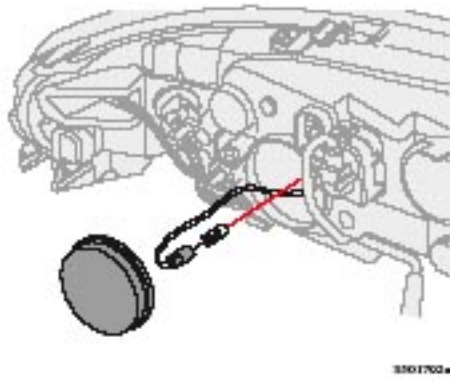
High beam headlight

Removing the defective bulb:

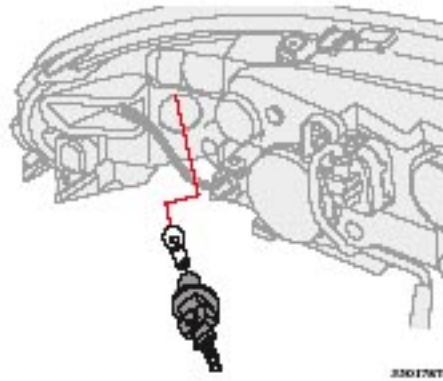
1. Switch off the headlights and turn the ignition switch to position 0.
2. Remove the cover to access the bulb assembly.
3. Pull out the bulb.
4. Disconnect the wiring connector.
5. Twist the bulb counterclockwise, and pull it out of the holder.

Installing the new bulb:

1. Insert the new bulb into the holder. It can only be inserted in one way.
2. Reconnect the wiring connector.
3. Reinsert the bulb into its position in the headlight housing, with the wiring connector downward.
4. Press the cover back into place.



Parking light bulb



Turn signal, driver's side

Parking light

Removing the defective bulb:

1. Switch off the headlights and turn the ignition switch to position 0.
2. Remove the plastic cover of the low beam headlight assembly. Pull out the parking light holder.
3. Pull the bulb out of the holder.

Installing the new bulb:

1. Press a new bulb into the holder
2. Reinsert the bulb and holder into place.
3. Reinstall the plastic cover.

Turn signal, driver's side

Removing the defective bulb:

1. Switch off the headlights and turn the ignition switch to position 0.
2. Pull out the bulb holder by twisting it counterclockwise.
3. Remove the bulb from the holder by pressing it in and turning it counterclockwise.

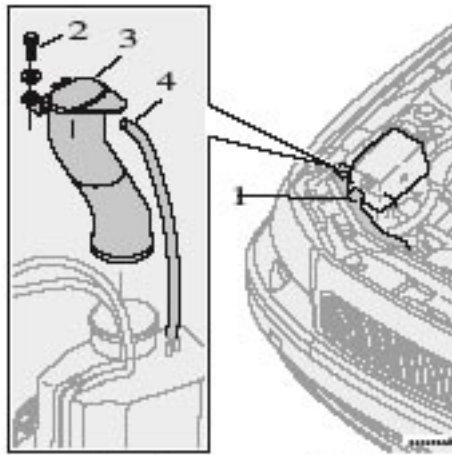
Installing the new bulb:

1. Insert the new bulb into the holder by pressing it in and turning it clockwise.
2. Reinsert the bulb holder in the headlight housing and twist it clockwise until it seats properly.

Turn signal, passenger's side

Removing the defective bulb:

1. Switch off the headlights and turn the ignition switch to position 0.
2. Remove radiator pipe (1) from the box.
3. Remove filler pipe screw (2).



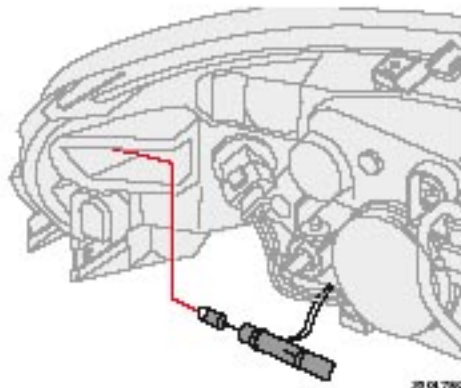
Turn signal, passenger's side

4. Pull the filler pipe (3) straight up.
5. Remove vent hose (4) from filler pipe.

Installing the new bulb:

1. Replace the bulb (same procedure as the driver's side bulb).
2. Ensure that the seal between the washer fluid reservoir and the filler pipe is correctly positioned.
3. Press the filler pipe (3) back into position.
4. Press the vent hose (4) into place on the filler pipe.
5. Reinstall and tighten the filler pipe screw (2) .
6. Reinstall the radiator pipe to the box (1).

pg. 144 Replacing bulbs

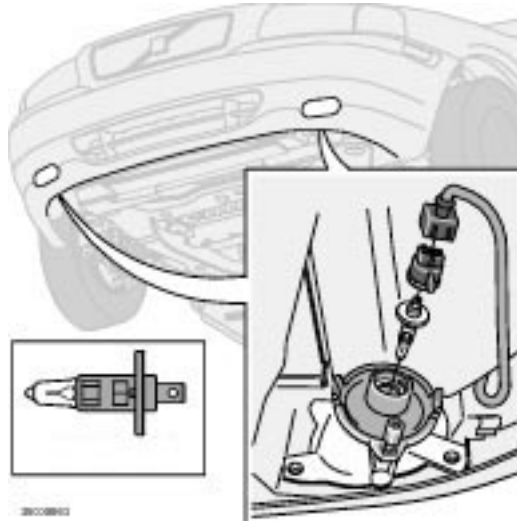


Side marker light

Side marker light

1. Turn the lamp holder counterclockwise and pull it out.

2. Pull out the defective bulb and insert a new one.
3. Reinsert the lamp holder and turn it clockwise until it seats properly.



Front fog light

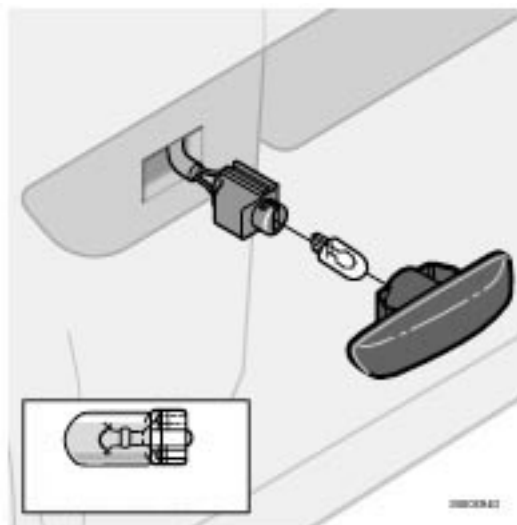
Front fog lights (option)

Removing the defective bulb:

1. Switch off the headlights and turn the ignition switch to position 0.
2. Turn the bulb holder slightly counterclockwise.
3. Pull out and remove the bulb.

Installing the new bulb:

1. Insert the new bulb (it can only be inserted in one position).
2. Reinsert the bulb holder and turn it clockwise. "TOP" must be upward.



Side turn signal

Side turn signal

Removing the defective bulb:

1. Open the front door halfway.
2. From the inside of the fender, push the lamp housing and wiring out.
3. Turn the bulb holder 1/4 turn counterclockwise and pull it out from the lens.
4. Remove the bulb from the holder by pulling it straight out.

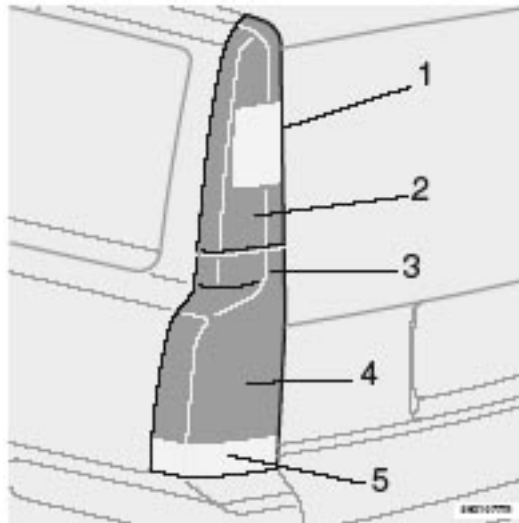
Installing the new bulb:

1. Press a new bulb into the holder.
2. Reinsert the bulb holder into the lens and turn it 1/4 turn clockwise.
3. Press the lens back into place in the fender.

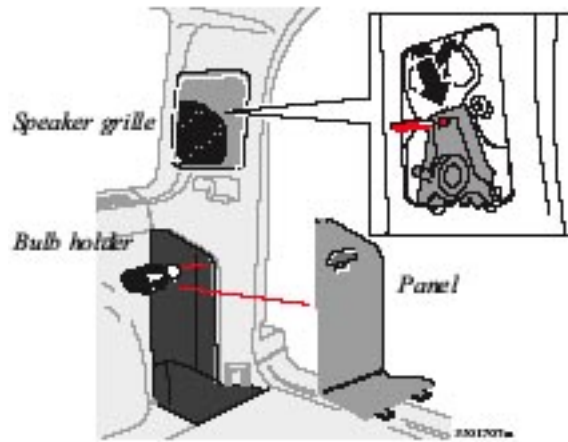
pg. 145 Replacing bulbs

Replacement of backup lights, rear parking lights and rear fog light

1. Switch off all lights and turn the ignition switch to position 0.
2. Open the access panel.
3. Twist the bulb holder counterclockwise and remove it.
4. Press the bulb inward, twist it counterclockwise and extract it.
5. Fit a new bulb.
6. Fit the bulb holder in place and twist it clockwise.
7. Refit the sound insulation and put the access panel back in place.



1. Rear turn signals
2. Brake light
3. Rear parking lights
4. Rear fog light (left side only) and rear parking lights
5. Backup light

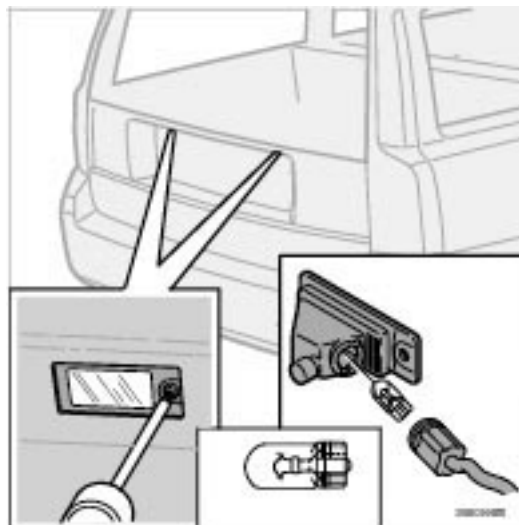


See table on [page 172](#).

Replacement of rear turn signal and brake light bulbs

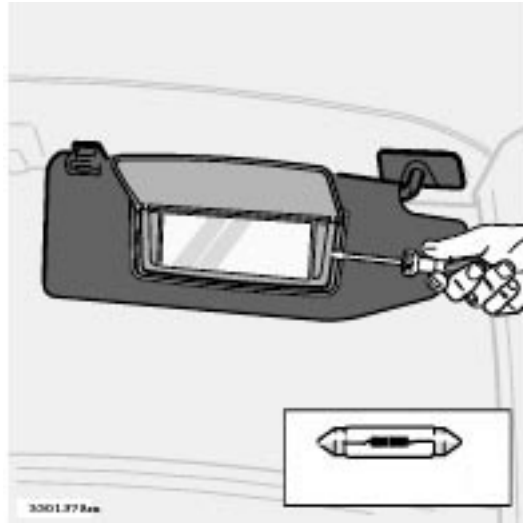
1. Switch off all lights and turn the ignition switch to position 0.
2. Using a screwdriver, carefully pry off the speaker grille.
3. Pull out the red tab in the speaker.
4. Then press on the black pin above the extracted red tab and twist out the speaker.
5. Twist the bulb holder counterclockwise, and withdraw it.
6. Fit a new bulb.
7. Fit the bulb holder in place and twist it clockwise.
8. Refit the speaker and press in the red tab.
9. Press the speaker grille back into position.

pg. 146 Replacing bulbs



License plate lights

1. Switch off the ignition.
2. Loosen the screws with a Torx screwdriver.
3. Carefully pull out the lamp housing.
4. Turn the bulb holder counterclockwise and pull it out.
5. Pull out the defective bulb and insert a new one.
6. Reinsert the bulb holder into the housing and turn it clockwise.
7. Reinstall the housing and screw it in place.



Vanity mirror lights

1. Carefully insert a screwdriver and pry out the lens.
2. Pry out the defective bulb and replace it.
3. Carefully press the lower edge of lens onto the four tabs and press the upper edge of the lens into place.

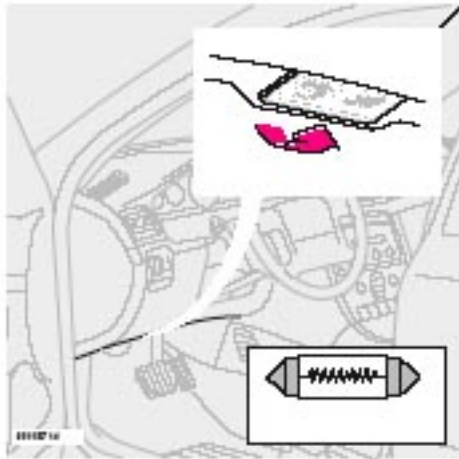


Front courtesy lights

These bulbs may be difficult for you to replace yourself. We recommend that you let an authorized

Volvo retailer replace these bulbs if necessary.

pg. 147 Replacing bulbs



Door step courtesy lights

The door step courtesy lights are located under the dash on the driver's and passenger's sides. To replace a bulb:

1. Carefully insert a screwdriver and pry out the lens.
2. Replace the defective bulb.
3. Reinstall the lens.



Rear reading lights

These bulbs may be difficult for you to replace yourself. We recommend that you let an authorized Volvo retailer replace these bulbs if necessary.

NOTE: Other bulbs may be difficult for you to replace yourself. Let an authorized Volvo retailer

replace these bulbs if necessary.

pg. 148 Paint touch up

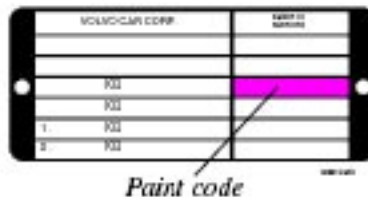
Paint touch-up

Paint damage requires immediate attention to avoid rusting. Make it a habit to check the finish regularly - when washing the car for instance. Touch-up if necessary.

Paint repairs require special equipment and skill. Contact your Volvo retailer for any extensive damage.

Minor scratches can be repaired by using Volvo touch-up paint.

NOTE: When ordering touch-up paint from your Volvo retailer, use the paint code indicated on the model plate. The plate is located in the engine compartment.



Minor stone chips and scratches

Material:

Primer - can

Paint - touch-up bottle

Brush

Masking tape

NOTE: When touching up the car, it should be clean and dry. The surface temperature should be above 60° F (15° C).

Minor scratches on the surface

If the stone chip has not penetrated down to the metal and an undamaged layer of paint remains, the touch-up paint can be applied as soon as the spot has been cleaned.



Deep scratches

1. Place a strip of masking tape over the damaged surface. Pull the tape off so that any loose flakes of paint adhere to it.
2. Thoroughly mix the primer and apply it with a small brush.
When the primer surface is dry, the paint can be applied using a brush. Mix the paint thoroughly; apply several thin paint coats and let dry after each application.
3. If there is a longer scratch, you may want to protect surrounding paint by masking it off.

pg. 149 Washing the car

Washing the car

- The car should be washed at regular intervals since dirt, dust, insects and tar spots adhere to the paint and may cause damage. It is particularly important to wash the car frequently in the wintertime to prevent corrosion, when salt has been used on the roads.
- When washing the car, do not expose it to direct sunlight. Use lukewarm water to soften the dirt before you wash with a sponge and plenty of water, to avoid scratching.
- **Bird droppings:** Remove from paintwork as soon as possible. Otherwise the finish may be permanently damaged.
- A detergent can be used to facilitate the softening of dirt and oil.
- A water-soluble grease solvent may be used in cases of sticky dirt. However, use a wash place equipped with a drainage separator.
- Remove dirt from the drain holes in the doors and rocker panels.
- Dry the car with a clean chamois.
- Tar spots can be removed with kerosene or tar remover after the car has been washed.
- A stiff-bristle brush and lukewarm soapy water can be used to clean the wiper blades. Frequent cleaning improves visibility considerably.

- Wash off the dirt from the underside (wheel housings, fenders, etc.).
 - In areas of high industrial fallout, more frequent washing is recommended.
-

CAUTION:

During high pressure washing, the spray mouthpiece must never be closer to the vehicle than 13" (30 cm). Do not spray into the locks.

Special moonroof cautions:

- Always close the moonroof and sun shade before washing your vehicle.
 - Never use abrasive cleaning agents on the moonroof.
 - Never use wax on the rubber seals around the moonroof.
-

- When washing or steam cleaning the engine, avoid spraying water or steam directly on the electrical components or toward the rear side of the engine.
- After cleaning the engine, the spark plug wells should be inspected for water and blown dry if necessary.

Suitable detergents: Special car washing detergents should be used. Mix according to manufacturer's instructions.

Exterior plastic components

Cleaning exterior plastic components should be done with a cleaning agent specially designed for this purpose. Solvents or stain removers should not be used. Consult your Volvo retailer.

WARNING!

- When the car is driven immediately after being washed, apply the brakes several times in order to remove any moisture from the brake linings.
- Engine cleaning agents should not be used when the engine is warm. This constitutes a fire risk.

Water repellent glass (sideview mirrors/side windows) - option

- Do not apply wax, degreasing agents, etc. to this glass. This could damage the coating.
- Clean the glass surface with care to avoid scratching.

pg. 150 Washing the car

Automatic washing - simple and quick

- **We do NOT recommend washing your car in an automatic wash during the first six months**

(because the paint will not have hardened sufficiently).

- An automatic wash is a simple and quick way to clean your car, but it is worth remembering that it may not be as thorough as when you yourself go over the car with sponge and water. Keeping the underbody clean is most important, especially in the winter. Some automatic washers do not have facilities for washing the underbody.
- Before driving into an automatic wash, make sure that side view mirrors, auxiliary lamps, etc, are secure, otherwise there is risk of the machine dislodging them.

Polishing and waxing

- Normally, polishing is not required during the first year after delivery. However, waxing may be beneficial.
- Before applying polish or wax the car must be washed and dried. Tar spots can be removed with kerosene or tar remover. Difficult spots may require a fine rubbing compound.
- After polishing, use liquid or paste wax.
- Several commercially available products contain both polish and wax.
- Waxing alone does not substitute for polishing of a dull surface.
- A wide range of polymer-based car waxes can be purchased today. These waxes are easy to use and produce a long-lasting, high-gloss finish that protects the bodywork against oxidation, road dirt and fading.
- Do not polish or wax your car in direct sunlight (the surface of the car should not be warmer than 113° F (45° C)).

CAUTION:

Volvo does not recommend the use of long-life or durable paint protection coatings, some of which may claim to prevent pitting, fading, oxidation, etc. These coatings have not been tested by Volvo for compatibility with your vehicle's clear coat. Some of them may cause the clear coat to soften, crack, or cloud. Damage caused by application of paint protection coatings may not be covered under your vehicle's paint warranty.

pg. 151 Cleaning the upholstery

Fabric

Clean with soapy water or a detergent. For more difficult spots caused by oil, ice cream, shoe polish, grease, etc., use a clothing/fabric stain remover. Consult your Volvo retailer.

Interior plastic components

Cleaning interior plastic components should be done with a cleaning agent specially designed for this purpose. Consult your Volvo retailer.

Alcantera™ suede-like material

Suede-like upholstery can be cleaned with a soft cloth and mild soap solution.

Leather care

Volvo's leather upholstery is manufactured with a protectant to repel soiling. Over time, sunlight, grease and dirt can break down the protection. Staining, cracking, scuffing, and fading can result.

Volvo offers an easy-to-use, non-greasy leather care kit formulated to clean and beautify your vehicle's leather, and to renew the protective qualities of its finish. The cleaner removes dirt and oil buildup. The light cream protectant restores a barrier against soil and sunlight.

Volvo also offers a special leather softener that should be applied after the cleaner and protectant. It leaves leather soft and smooth, and reduces friction between leather and other finishes in the vehicle.

Volvo recommends cleaning, protecting and conditioning your vehicle's leather two to four times a year. Ask your Volvo retailer about Leather Care Kit 951 0251 and Leather Softener 943 7429.

CAUTION!

- Under no circumstances should gasoline, naphtha or similar cleaning agents be used on the plastic or the leather since these can cause damage.
- Take extra care when removing stains such as ink or lipstick since the coloring can spread.
- Use solvents sparingly. Too much solvent can damage the seat padding.
- Start from the outside of the stain and work toward the center.
- Sharp objects (e.g. pencils or pens in a pocket) or velcro fasteners on clothing may damage the textile upholstery.

Cleaning the seat belts

Clean only with lukewarm water and mild soap solution.

Cleaning floor mats

The floor mats should be vacuumed or brushed clean regularly, especially during winter when they should be taken out for drying. Spots on textile mats can be removed with a mild detergent.

Bear in mind

- Take extra care when removing stains such as ink or lipstick since the coloring can spread.
- Use solvents sparingly. Too much solvent can damage the seat padding.
- Start from the outside of the stain and work toward the center.

pg. 152 Maintenance service, Warranty

Maintenance service

Volvo advises you to follow the service program outlined in the Warranty and Service Records Information booklet. This maintenance program contains inspections and services necessary for the proper function of your car. The maintenance services contain several checks which require special instruments and tools and therefore must be performed by a qualified technician. To keep your Volvo in top condition, specify time-tested and proven Genuine Volvo Parts and Accessories.

The Federal Clean Air Act - U.S.

The Federal Clean Air Act requires vehicle manufacturers to furnish written instructions to the ultimate purchaser to assure the proper servicing and function of the components that control emissions. These services, which are listed in the "Warranty and Service Records Information booklet," are not covered by the warranty. You will be required to pay for labor and material used.

Maintenance services

Your Volvo passed several major inspections before it was delivered to you, in accordance with Volvo specifications. The maintenance services outlined in the Warranty and Service Records Information booklet, many of which will positively affect your vehicle's emissions, should be performed as indicated. It is recommended that receipts for vehicle emission services be retained in case questions arise concerning maintenance.

Inspection and service should also be performed anytime a malfunction is observed or suspected.

Applicable warranties

In accordance with applicable U.S. and Canadian regulations, the following list of warranties is provided.

- New Car Limited Warranty
- Parts and Accessories Limited Warranty
- Corrosion Protection Limited Warranty
- Seat Belt and Supplemental Restraint Systems Limited Warranty
- Emission Design and Defect Warranty
- Emission Performance Warranty

These are the Federal warranties; other warranties are provided as required by state/provincial law. Refer to your separate Warranty and Service Records Information booklet for detailed information concerning each of the warranties.

Vehicle Event Data (Black Box)

Your vehicle's driving and safety systems employ computers that monitor, and share with each other, information about your vehicle's operation. One or more of these computers may store what they monitor, either during normal vehicle operation or in a crash or near-crash event. Stored information may be read and used by:

- Volvo Car Corporation
- service and repair facilities

- law enforcement or government agencies
 - others who may assert a legal right to know, or who obtain your consent to know such information.
-



[Contents](#) | [Top of Page](#)

Fuel system

The fuel system continually compensates for variation in engine load, speed and temperature. A mass air flow sensor continuously measures the inducted air and makes rapid adjustments for changes in air temperature and density, to balance fuel economy, emissions, and engine power requirements.

Heated oxygen sensor

This is an emission control system designed to reduce emissions and improve fuel economy. The heated oxygen sensor monitors the composition of the exhaust gases leaving the engine. The exhaust gas analysis is fed into an electronic module. This adjusts the air/fuel ratio to improve combustion and reduce the three major pollutants (hydrocarbons, carbon monoxide, and oxides of nitrogen (NO_x)) via a three-way catalytic converter.

Crankcase ventilation

The engine is provided with positive crankcase ventilation which prevents crankcase gases from being released into the atmosphere. Instead, the crankcase gases are routed to the intake manifold and cylinders.

PremAir®

On the surface of the radiator in the engine compartment, there is a special coating called PremAir®. PremAir® works as a catalytic converter, converting most of the ozone passing through the radiator into oxygen, thereby reducing harmful ground-level ozone.

Evaporative control system

The car is equipped with an evaporative control system, which prevents gasoline vapor from being released into the atmosphere.

The system consists of a fuel tank with filler pipe and cap, two rollover valves, a Fill Limit Vent Valve (FLVV), vapor vent lines, a charcoal canister, a purge line, and a purge control valve and engine connections. In addition, there is a pressure sensor connected to the fuel tank and a filter-protected Canister Close Valve (CCV) on the atmospheric side of the canister, for system diagnosis.

The gasoline vapor is channeled through the rollover valves and the FLVV via the vapor vent lines into the charcoal canister, where it is stored. When the engine is started, the gasoline vapor is drawn from the charcoal canister to the engine's air intake system and into the combustion process.

NOTE:

- Overfilling the fuel tank can cause damage to the evaporative control system.
- If the fuel filler cap is not closed tightly or if the engine is running when the car is refueled, the Malfunction Indicator Lamp may indicate a fault.
- During a transitional period, a small number of service stations may still have fuel nozzles that are not

compatible with the fuel filler neck on cars equipped with the evaporative emission control system mandated by the U.S. Environmental Protection Agency and the California Air Resources Board. If you experience difficulties in refueling your vehicle, please ask the gas station attendant for assistance.

CAUTION:

Fuel must not be siphoned from the fuel tank. This will damage the evaporative control system.

pg. 154 Drive belt, Coolant

Belt check

Check the accessory belt regularly to make sure it is in good condition and is clean. A worn or dirty belt can cause poor cooling and low alternator output as well as impair the operation of the power steering and the air conditioning unit.

NOTE: The drive belt is equipped with a self-tensioning mechanism and requires no adjustment between changes.

WARNING!

The engine must not be running when this check is performed.

Check coolant level

The cooling system must be filled with coolant and not leak to operate at maximum efficiency. Check the coolant level regularly. The level should be between the "MAX" and "MIN" marks on the expansion tank. The check should be made with particular thoroughness when the engine is new or when the cooling system has been drained.

Do not remove the filler cap other than for topping up with coolant. Frequent removal may prevent coolant circulation between the engine and the expansion tank during engine warm up and cooling.

Changing coolant

Normally, the coolant does not need to be changed. If the system must be drained, consult your Volvo retailer.

NOTE: Do not top off with water only. This reduces the rust-protective and antifreeze qualities of the coolant and has a lower boiling point. It can also cause damage to the cooling system if it should freeze. Top off with Volvo Genuine Coolant/Antifreeze only.

CAUTION:

The cooling system must always be kept filled to the correct level. If it is not kept filled, there can be high local temperatures in the engine which could result in damage. Different types of antifreeze/coolant may not be mixed.

WARNING!

Never remove the radiator cap while the engine is warm. Wait until the car cools.

pg. 155 Maintaining your car

Owner maintenance

Periodic maintenance requirements and intervals are described in your vehicle's Warranty and Service Records Information booklet. The following points can be carried out between the normally scheduled maintenance services.

Each time the car is refueled:

- Check the engine oil level
- Clean the windshield, windshield wipers, headlights, and tail lights Monthly:
- Check cold tire pressure in all tires. Inspect the tires for wear.
- Check that engine coolant and other fluid levels are between the indicated "min" and "max" markings.
- Clean interior glass surfaces with a glass cleaner and soft paper towels.
- Wipe driver information displays with a soft cloth.
- Visually inspect battery terminals for corrosion. Corrosion may indicate a loose terminal connector, or a battery near the end of its useful service life. Consult your Volvo retailer for additional information.

As needed:

- Wash the car, including the undercarriage, to reduce wear that can be caused by a buildup of dirt, and corrosion that can be caused by salt residues.
- Clean leaves and twigs from air intake vents at the base of the windshield, and from other places where they may collect. Complete service information for qualified technicians is available online for purchase or subscription at www.volvotechinfo.com.

pg. 156 Maintaining your car

Emission inspection readiness**What is an Onboard Diagnostic System (OBD II)?**

OBD II is part of your vehicle's computerized engine management system. It stores diagnostic information about your vehicle's emission controls. It can light the Check Engine light (MIL) if it detects an emission control "fault." A "fault" is a component or system that is not performing within an expected range. A fault may be permanent or temporary. OBD II will store a message about any fault.

How do states use OBD II for emission inspections?

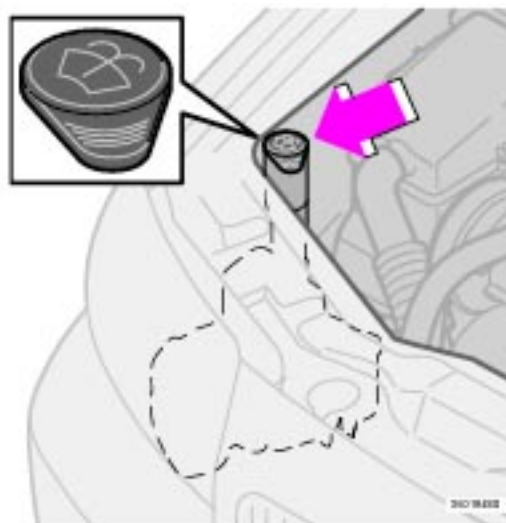
Many states connect a computer directly to a vehicle's OBD II system. The inspector can then read "faults." In some states, this type of inspection has replaced the tailpipe emission test.

How can my vehicle fail OBD II emission inspection?

Your vehicle can fail OBD II emission inspection for any of the following reasons.

- If your Check Engine (MIL) light is lit, your vehicle may fail inspection.
- If your vehicle's Check Engine light was lit, but went out without any action on your part, OBD II will still have a recorded fault. Your vehicle may pass or fail, depending on the inspection practices in your area.
- If you had recent service that required disconnecting the battery, OBD II diagnostic information may be incomplete and "not ready" for inspection. A vehicle that is not ready may fail inspection. How can I prepare for my next OBD II emission inspection?
- If your Check Engine (MIL) light is lit - or was lit but went out without service, have your vehicle diagnosed and, if necessary, serviced by a qualified Volvo technician.
- If you recently had service for a lit Check Engine light, or if you had service that required disconnecting the battery, a period of driving is necessary to bring the OBD II system to "ready" for inspection. A half-hour trip of mixed stop-and-go/highway driving is typically needed to allow OBD II to reach readiness. Your Volvo retailer can provide you with more information on planning a trip.
- Maintain your vehicle in accordance with your vehicle's maintenance schedule.

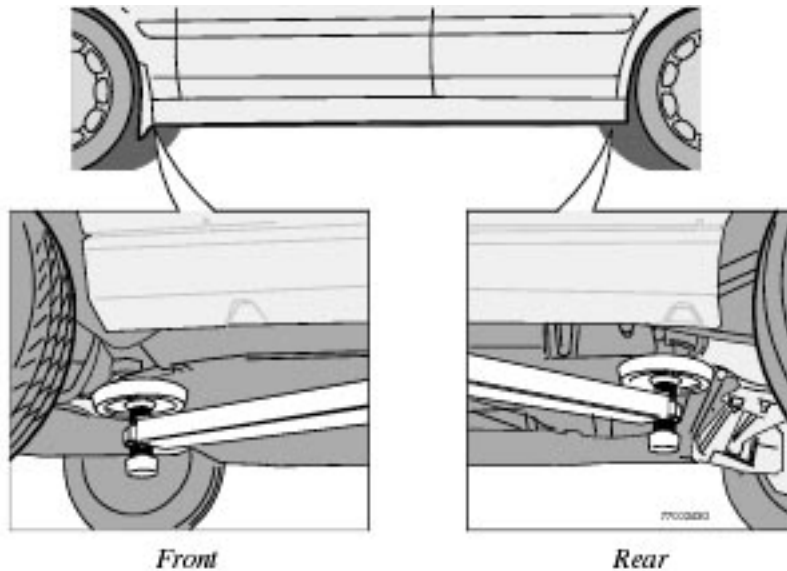
pg. 157 Servicing



Washer fluid reservoir

The washer fluid reservoir is located in the engine compartment and holds approx. 6.8 US qts (6.4 liters) or 4.8 US qts (4.5 liters) on the V70 R.

During cold weather, the reservoir should be filled with windshield washer solvent containing antifreeze.

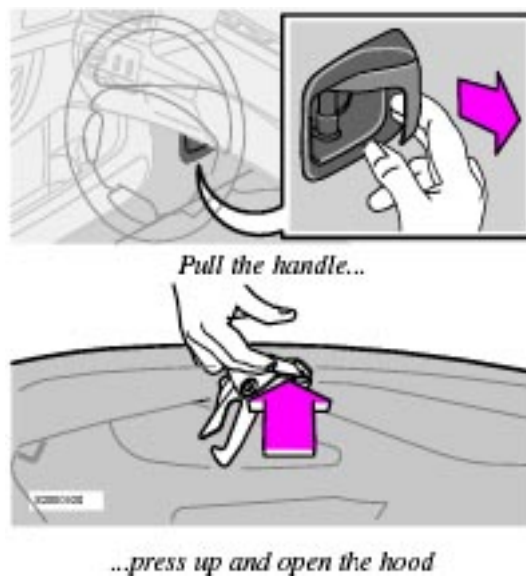


Hoisting the car

If a garage jack is used to lift the car, the two jack attachments points should be used. They are specially reinforced to bear the weight of the car. A garage jack can also be placed under the front of the engine support frame. Take care not to damage the splash guard under the engine. **Ensure that the jack is positioned so that the car cannot slide off it. Always use axle stands or similar structures.**

If a two-post hoist is used to lift the car, the front and rear lift arm pads should be centered under the reinforced lift plates on the inboard edge of the sill rail (see illustration above).

pg. 158 Opening the hood, Engine compartment

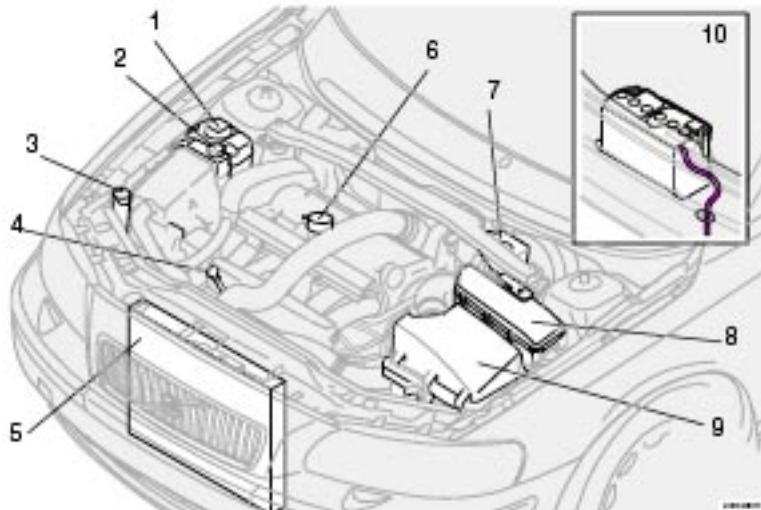


Opening the hood

- Pull the lever located under the left side of the dash to release the hood lock.
- Lift the hood slightly.
- Press up the release control located under the front edge of the hood (at the center) and lift.

WARNING!

Check that the hood locks properly when closed.



Engine compartment

- 1 Expansion tank - coolant
- 2 Power steering fluid reservoir
- 3 Washer fluid reservoir
- 4 Dipstick - engine oil
- 5 Radiator/cooling fan
- 6 Oil filler cap - engine
- 7 Brake fluid reservoir
- 8 Relay/fuse box
- 9 Air cleaner
- 10 Battery (in the cargo compartment)

WARNING!

The cooling fan may start or continue to operate (for up to 6 minutes) after the engine has been switched off.

Oil specifications

Engine oil must meet the minimum ILSAC specification GF-3, API SL, or ACEA A1/B1. Lower quality oils may not offer the same fuel economy, engine performance, or engine protection.

Volvo Cars recommends



Depending on your driving habits, premium or synthetic oils may provide superior fuel economy and engine protection. Consult your Volvo retailer for recommendations on premium or synthetic oils.

Oil additives must not be used.

NOTE: Synthetic oil is not used when the oil is changed at the normal maintenance services. This oil is only used at customer request, at additional charge. Please consult your Volvo retailer.

Oil viscosity (stable ambient temperatures)

Operation in temperate climates

Incorrect viscosity oil can shorten engine life. Under normal use when temperatures do not exceed 86 °F (30°C), SAE 5W/30 will provide good fuel economy and engine protection. See the viscosity chart below.

Operation in hot climates

When temperatures exceed 86 °F (30°C) in your area, Volvo recommends, for the protection of your engine, that you use a heavier weight oil, such as SAE 10W/30. See the viscosity chart below.

Extreme engine operation

Synthetic oils meeting SAE 10W-30 and complying with oil quality requirements are recommended for driving in areas of sustained temperature extremes (hot or cold), when towing a trailer over long distances, and for prolonged driving in mountainous areas.

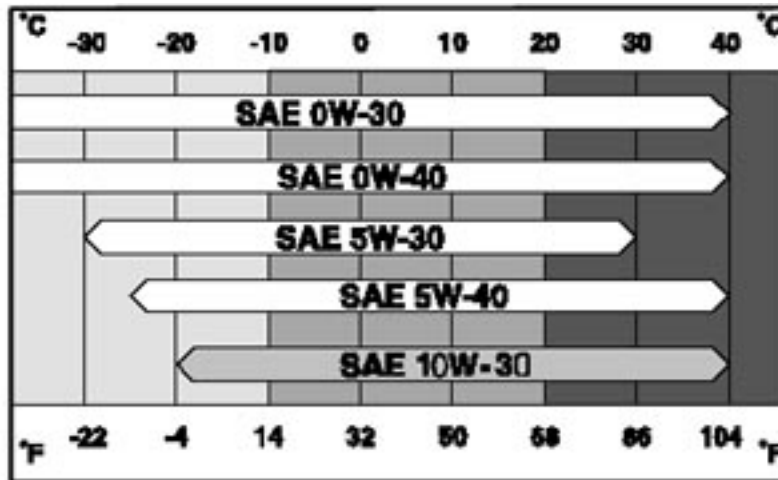


American Petroleum Institute (API) symbol

The API Service Symbol "donut" is divided into three parts:

- The top half describes the oil's performance level.
- The center identifies the oil's viscosity.
- The bottom half tells whether the oil has demonstrated energy-conserving properties in a standard test in comparison to a reference oil.

Viscosity (stable ambient temperatures)



pg. 160 Engine oil

Changing engine oil and oil filter

See the previous page for oil specifications and [page 170](#) for oil volumes. Refer to the Warranty and Service Records Information booklet for information on the oil change intervals.

NOTE:

- Volvo does not recommend the use of oil additives.
- Synthetic oil is not used when the oil is changed at the normal maintenance intervals except at owner request and at additional charge. Please consult your Volvo retailer.

Checking and adding oil

The oil level should be checked every time the vehicle is refueled. This is especially important during the period up to the first scheduled maintenance service.

- The car should be parked on a level surface when the oil is checked.
- If the engine is warm, wait for at least 10- 15 minutes after the engine has been switched off before checking the oil.

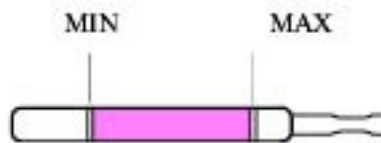
Checking the oil

1. Pull out the dipstick and wipe it with a lint-free rag.

2. Reinsert the dipstick, pull it out, and check the oil level.
3. Add oil if necessary. If the level is close to the MIN mark, add approximately 1 US quart (1 liter) of oil.
4. Run the engine until it reaches normal operating temperature.
5. Switch off the engine and wait for at least 10-15 minutes and recheck the oil level. If necessary, add oil until the level is near the MAX mark.

CAUTION!

- Not checking the oil level regularly can result in serious engine damage if the oil level becomes too low.
 - Oil that is lower than the specified quality can damage the engine.
 - Always add oil of the same type and viscosity as already used.
 - Never fill oil above the MAX mark. This could cause an increase in oil consumption.
-



R-models

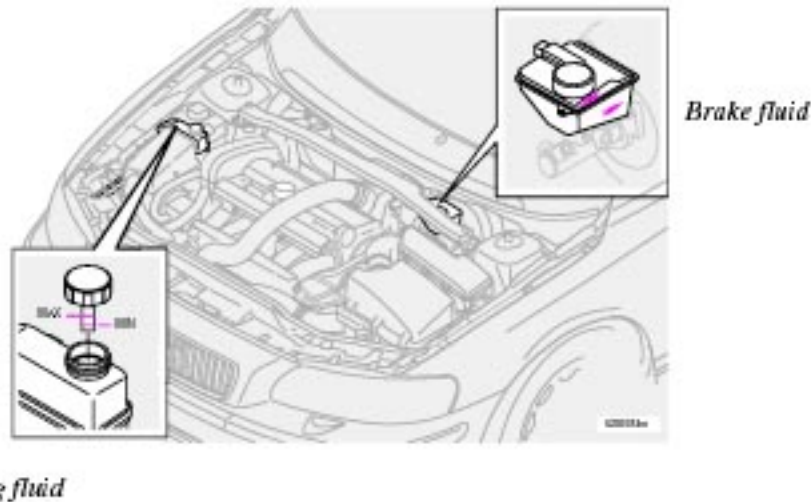
R-models are equipped with an oil level warning system. If the engine oil level becomes too low, the warning light in the instrument panel will come on and a warning will be displayed in the text window.

If the yellow warning light in the instrument panel comes on and the text **OIL LEVEL LOW/FILL OIL** is displayed, stop safely as soon as possible and add 1 qt (1 liter) of oil. Check the oil level with the dipstick before restarting the engine.

If the red warning light in the instrument panel comes on and the text **OIL LEVEL LOW/STOP SAFELY-->STOP ENGINE-->SEE MANUAL** is displayed, stop safely as soon as possible and add oil (not more than 1.6 qts (1.5 liters)). Check the oil level with the dipstick before restarting the engine. If no oil level is visible on the dipstick, do not start the engine. Have the car towed to an authorized Volvo workshop.

WARNING!

Do not allow oil to spill onto or come into contact with hot exhaust pipe surfaces.



Power steering fluid

The fluid level should always be between the ADD and FULL marks.

Fluid type: Volvo synthetic power steering fluid (Pentosin CHF 11S)

P/N 1161529 or equivalent.

Replace: No fluid change required

NOTE: If a problem should occur in the power steering system or if the car has no electrical current and must be towed, it is still possible to steer the car. However, keep in mind that greater effort will be required to turn the steering wheel.

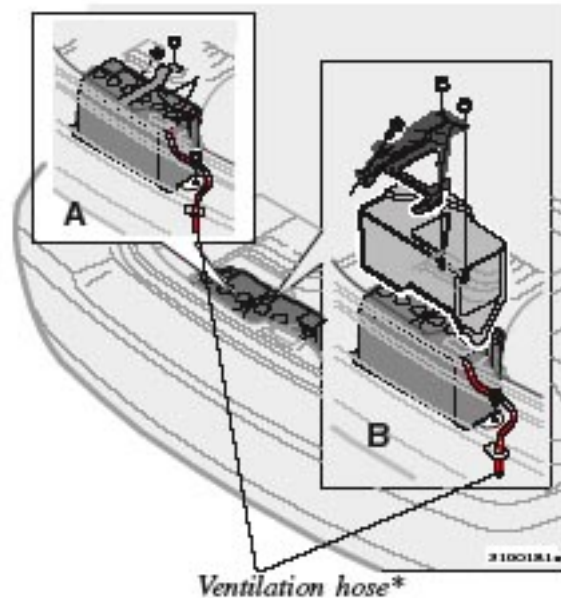
Brake fluid

The brake fluid should always be above the MIN mark on the side of the reservoir. Check, without removing the cap, that there is sufficient fluid in the reservoir.

Fluid type: DOT 4+ boiling point >536°F (280°C), P/N 9437433

Replace: Every second year or 30,000 miles (48,000 km). The fluid should be replaced once a year or every 15,000 miles (24,000 km) when driving under extremely hard conditions (mountain driving, etc.)

Always entrust brake fluid changing to an authorized Volvo retailer.



Replacing the battery

Version A

- Switch off the ignition.
- Wait at least **10** minutes after switching off the ignition before disconnecting the battery so that all information in the car's electrical system can be stored in the control modules.
- Remove the bolts on the retaining bracket over the battery and lift out the bracket.
- Disconnect the negative (ground) cable first.
- Fold up the plastic cover over the positive battery terminal.
- Disconnect the positive cable and lift off the plastic cover.
- Pull the ventilation hose* from the battery.
- Remove the bolt on the lower retaining bracket and remove the bracket.
- Lift out the old battery and put a new one into place.
- Put the lower retaining bracket in place and retighten the bolt.
- Press the cover for the positive battery terminal into place.
- Reconnect the positive cable.
- Fold down the lid of the plastic cover over the positive terminal.
- Connect the negative (ground) cable.
- Be sure that the ventilation hose* is securely connected to the battery and that the other end of the hose is properly routed through the ventilation opening in the floor of the battery compartment.
- Reinstall the retaining bracket over the battery and retighten the nuts.

Version B

- Switch off the ignition.
- Unscrew the cover over the battery. Wait at least **10** minutes after switching off the ignition before disconnecting the battery so that all information in the car's electrical system can be stored in the control modules.

- Disconnect the negative (ground) cable first.
- Disconnect the positive cable and pull the ventilation hose* from the battery.
- Remove the bolt on the lower retaining bracket and remove the bracket.
- Lift out the old battery and put a new one into place.
- Put the lower retaining bracket in place and retighten the bolt.
- Connect the positive cable first.
- Connect the negative (ground) cable.
- Be sure that the ventilation hose* is securely connected to the battery and that the other end of the hose is properly routed through the ventilation opening in the floor of the battery compartment.
- Reinstall the cover and screw it securely in place.

WARNING!

* Ventilation hose: The battery generates hydrogen gas, which is flammable and explosive. The battery is fitted with a ventilation hose which vents hydrogen gas out of the battery compartment through a ventilation opening in the bottom of this compartment. If the battery must be replaced, it is essential that the ventilation hose is properly connected to the battery and that it is routed through the ventilation opening provided (see illustration).

Be sure the ventilation hose is free of debris.

Only use replacement batteries equipped with a ventilation hose. Consult your Volvo retailer.

NOTE: After the battery has been disconnected or replaced, lock and unlock the car with the central locking system's remote control to reactivate such features as the power windows, moonroof, courtesy lighting, etc.



Wear protection goggles



See owner's manual for details



Keep away from children



Corrosive



No smoking, no open flames, no sparks



Explosion

Battery maintenance

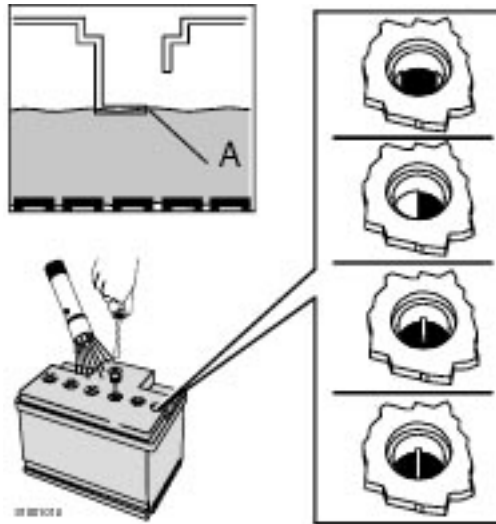
The battery in your car is located under the floor of the cargo area.

Driving habits and conditions, climate, the number of starts, etc. all affect the service life and function of the battery. In order for your battery to perform satisfactorily, keep the following in mind:

- Check the fluid level in each cell in the battery every 24 months or every 15,000* miles (24,000 km), whichever is sooner. The fluid should be at the level shown in the illustration above (A**).

Use a screwdriver to open the caps and a flashlight to inspect the level.

- If necessary, add **distilled water**. The level should never be above the indicator (A**).
- The fluid level should be checked if the battery has been recharged.
- After inspection, be sure the cap over each battery cell is securely in place.
- Check that the battery cables are correctly connected and properly tightened.
- Never disconnect the battery when the engine is running, for example when changing the battery.
- The battery should be disconnected from the vehicle when a battery charger is used directly on the battery. However, if the battery is being charged via the connecting points in the engine compartment (see [page 88](#)), the battery must be connected.



WARNING!

- Never expose the battery to open flame or electric spark.
- Do not smoke near the battery.
- Battery fluid contains sulfuric acid. Do not allow battery fluid to contact eyes, skin, fabrics or painted surfaces. If contact occurs, flush the affected area immediately with water. Obtain medical help immediately if eyes are affected.

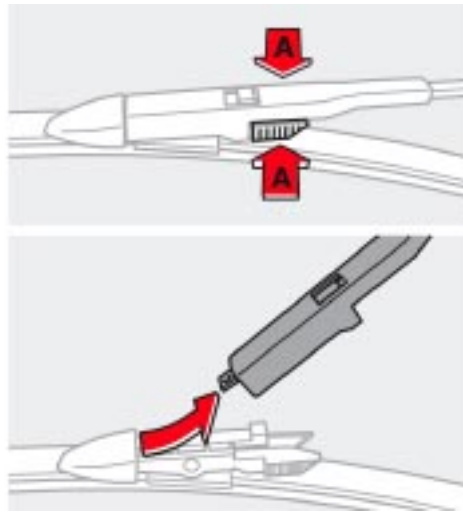
PROPOSITION 65 WARNING!

Battery posts, terminals, and related accessories contain lead and lead compounds, chemicals known to the state of California to cause cancer and reproductive harm. Wash hands after handling.

* More frequently in warm climates.

** The level indicator inside the battery could be designed in various ways. See illustration above!

pg. 164 Replacing wiper blades



Windshield wiper blades

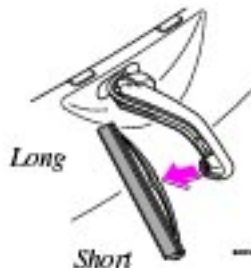
- Lift the wiper arm off the windshield.
- Press in the catches (A in the illustration above).
- Pull out the wiper blade.
- Insert a new wiper blade and ensure that it is firmly in place.

NOTE: The driver's side wiper blade is longer than the one on the passenger's side.



Replacement of tailgate wiper blade

Pull the wiper arm out away from the glass. Pull off the wiper blade outwards toward the tailgate. Press the new wiper blade into place. Check that it is properly secured.



Headlight wiper blades (certain models)

Pull the wiper blade in the direction indicated by the arrow in the illustration to remove it. Press the new

wiper blade into place. The long section of the blade should point toward the grille. Check that the new blade is properly attached to the wiper arm.



[Contents](#) | [Top of Page](#)

2006 VOLVO V70

Chapter 9 - Specifications

pg. 165 Specifications

<u>Label information</u>	<u>166</u>
<u>Dimensions and weights</u>	<u>167</u>
<u>Engine specifications</u>	<u>169</u>
<u>Oil/fluid specifications and volumes</u>	<u>170</u>
<u>Fuel system, Distributor ignition system,</u>	<u>171</u>
<u>Suspension</u>	
<u>Electrical system</u>	<u>172</u>
<u>Volvo On Call Roadside Assistance</u>	<u>173</u>

pg. 166 Label information

1 Loads and Tire Pressures

(on inside of fuel filler door): Canadian models only.

2 Child safety latch label

3 Federal Motor Vehicle Safety Standards (FMVSS) specifications (USA) and Ministry of Transport (CMVSS) standards (Canada)

Your Volvo is designed to meet all applicable safety standards, as evidenced by the certification label on the facing side of the driver's door. For further information regarding these regulations, please consult your Volvo retailer.

4 Loads and Tire Pressures - U.S. models only

Certain models will only have one decal, depending on the specifications of the vehicle.

5 Vehicle Identification Number (VIN) *

The VIN plate is located on the top left surface of the dashboard. The VIN is also stamped on the right hand door pillar.

6 Model plate

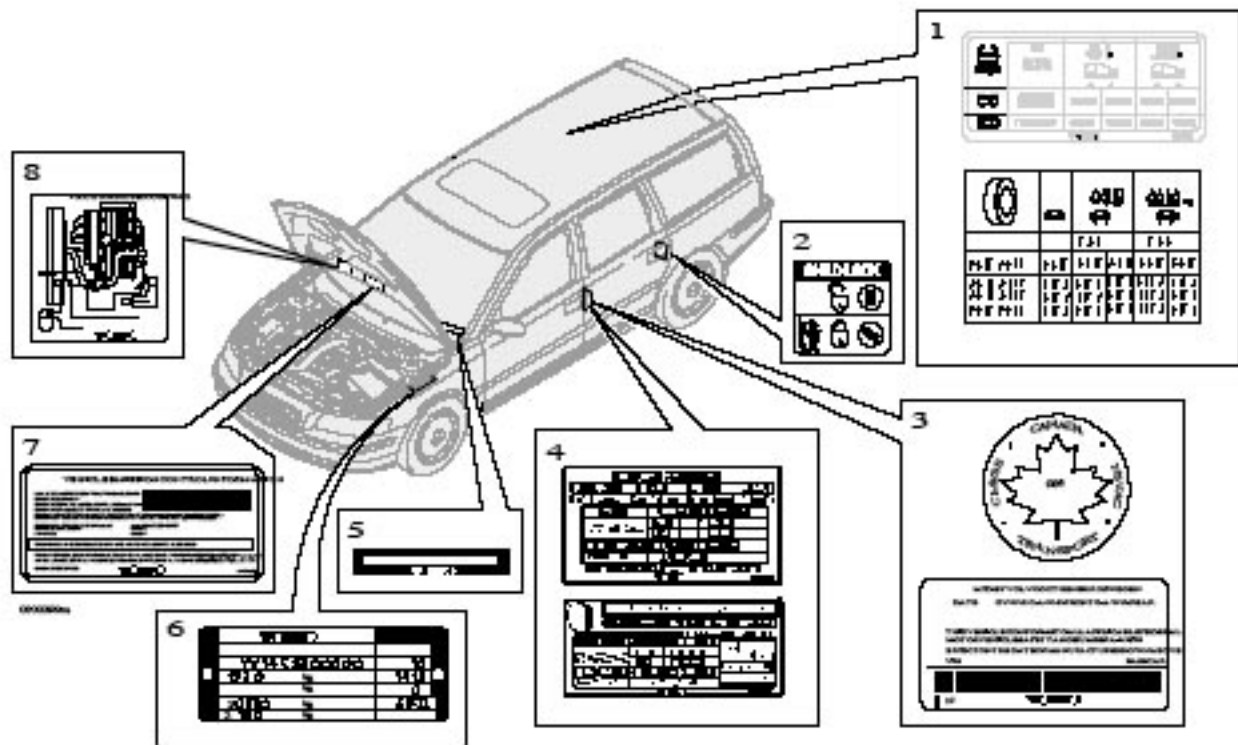
Vehicle Identification Number (VIN). Codes for color and upholstery, etc. The plate is located in the engine compartment, on the inside of the left front fender.

7 Vehicle Emission Control Information

Your Volvo is designed to meet all applicable emission standards, as evidenced by the certification label on the underside of the hood. For further information regarding these regulations, please consult your Volvo retailer.

8 Vacuum hose routing

(underside of hood)



* The Vehicle Identification Number (VIN) should always be quoted in all correspondence concerning your vehicle with the retailer and when ordering parts.

All specifications are subject to change without prior notice.

pg. 167 Dimensions and weights

Dimensions

Length 185.4 in. (471 cm), XC70 -186.3 (473 cm)

Width 71 in. (180 cm), XC70 - 73.2 in. (186 cm)

Height 57.7 in. (147 cm), V70 AWD - 58.7 in. (149 cm)
XC70 - 61.5 in. 156 cm)
V70R - 57.6 in (146 cm)

Wheelbase 108.5 in. (276 cm), XC70 - 108.8 in. (276 cm)

Track, front 61.5 in. (156 cm), XC70 - 63.4 in. (161 cm)
V70R - 61.3 in. (155 cm)

Track, rear 61.4 in. (156 cm), XC70 - 60.9 in. (155 cm)
V70R - 60.7 in. (154 cm)

Turning circle (between curbs) 35.8-39 ft. (10.9-11.9 m)
V70R 43.3 ft. (13.2 m) Cargo capacity - 17.1 cu. ft. (0.48 m³)¹
- 26.3 cu. ft. (0.74 m³)²
- 58.0 cu. ft. (1.64 m³)³

- 1) Rear seat backrest up, load height - upper edge of backrest
- 2) Rear seat backrest folded down, load height - upper edge of front seat backrests/lower edge of rear window
- 3) Rear seat backrest folded down, load height - head lining (ceiling)

All specifications are subject to change without prior notice.

pg. 168 Dimensions and weights

Weights	USA	Canada
Gross vehicle weight (GVW)*		
V70 man.	4630 lbs	2100 kg

V70 aut.	4690 lbs	2130 kg
V70 Turbo man.	4710 lbs	2140 kg
V70 Turbo aut.	4730 lbs	2150 kg
V70 AWD	4890 lbs	2220 kg
V70 AWD-R man.	4890 lbs	2220 kg
V70 AWD-R aut.	4890 lbs	2220 kg
XC70	4890 lbs	2220 kg
Capacity weight	930 lbs	420 kg

Curb weight

V70	3410-3630 lbs	1555-1640 kg
V70 AWD	3710-3745 lbs	1680-1700 kg
V70 AWD-R	3810-3890 lbs	1750-1770 kg
XC70	3770-3800 lbs	1710-1725 kg

Permissible axle weight, front*

V70 man.	2290 lbs	1040 kg
V70 aut.	2330 lbs	1060 kg
V70 Turbo man.	2320 lbs	1050 kg
V70 Turbo aut.	2360 lbs	1070 kg
V70 AWD	2400 lbs	1090 kg
V70 AWD-R man.	2380 lbs	1080 kg
V70 AWD-R aut.	2400 lbs	1090 kg
XC70	2490 lbs	1130 kg

Permissible axle weight, rear*

V70, V70 Turbo	2470 lbs	1120 kg
V70 AWD	2580 lbs	1170 kg
V70 AWD-R	2580 lbs	1170 kg
XC70	2620 lbs	1190 kg

USA Canada

Max roof load	220 lbs	100 kg
---------------	---------	--------

Max trailer weight (w/o brakes)	1650 lbs	750 kg
Max trailer weight**		
- (with brakes, 2" ball)	3300 lbs	1500 kg
- (with brakes, 1 7/8" ball)	2000 lbs	900 kg
Max tongue weight ***	165 lbs	75 kg

WARNING!

When adding accessories, equipment, luggage and other cargo to your vehicle, the total loaded weight capacity of the vehicle must not be exceeded.

* The max permissible axle loads or the gross vehicle weight must not be exceeded.

** When driving for prolonged periods at temperatures above 86° F (30° C), the maximum recommended weight is 2000 lbs (900 kg).

***See also section "Trailer towing"

pg. 169 Engine specifications

Engine specifications**Designation: Volvo B 5254 T2**

Output	208 hp at 5000 rpm (154 kW/83 rps)
Max. torque	236 ft. lbs. at 1500-4500 rpm (320 Nm/25-75 rps)
Number of cylinders	5
Bore	3.27" (83 mm)
Stroke	3.67" (93.2 mm)
Displacement	2.5 liters
Compression ratio	9.0:1
Number of valves	20

Designation: Volvo B 5244 S

Output	165 hp at 6000 rpm (123 kW/100 rps)
Max. torque	166 ft. lbs. at 4500 rpm (225 Nm/75 rps)
Number of cylinders	5
Bore	3.27" (83 mm)
Stroke	3.54" (90 mm)
Displacement	2.4 liters
Compression ratio	10.3:1
Number of valves	20

Designation: Volvo B 5254 T4

Output	300 hp at 5500 rpm* (220 kW/92 rps)*
Max. torque	295 ft. lbs. at 1950-5250 rpm** (400 Nm/31-95 rps) **
Number of cylinders	5
Bore	3.27" (83 mm)
Stroke	3.67" (93.2 mm)
Displacement	2.5 liters
Compression ratio	8.5:1
Number of valves	20

* Automatic transmission: 300 hp at 6000 rpm, 220 kW at 100 rps

** Automatic transmission: 258 ft. lbs at 1850-6000 rpm, 350Nm at 32-100 rps

Charge air cooler (Intercooler)

Turbocharged engines employ a turbo-compressor to force air into the engine inlet manifold and a charge air cooler to cool the compressed inlet air. The resulting increase in air flow raises pressure in the intake manifold and increases engine power over that developed by a normally-aspirated engine. The charge air cooler (which resembles a radiator) is located between the turbo-compressor and inlet manifold.

Engine Oil

Type: Engine oil must meet the minimum ILSAC specification GF-3, API SL, or ACEA A1/B1.

Volume: 5.8 qts (5.5 liters)

Volume between MIN and MAX on dipstick: 1.3 US qts (1.2 liters)

Manual transmission oil

Type: MTF 97309

M56 (five speed): 2.2 US qts. (2.1 liters)

M66 (6 speed): 2.1 US qts. (2.0 liters)

Automatic Transmission Fluid

Type: JWS 3309

AW5: 7.6 US qts (7.2 liters)

TF-80SC (V70 R): 7.4 US qts (7.0 liters)

Do not mix with other oils.

Cooling system

Type: Positive pressure, closed system. The thermostat begins to open at 194 °F (90 °C)

Coolant: Volvo original coolant/antifreeze

Power steering fluid

Volvo synthetic power steering fluid (Pentosin CHF 11S) P/N 1161529 or equivalent.

Volume: 0.95 US qts (0.9 liters)

Brake fluid

DOT 4+ boiling point >536°F(280°C), P/N 9437433

Volume: 0.64 US qts (0.6 liters)

Climate control system - refrigerant (R 134a)

Oil: PAG

Volume: 2.2 lbs (1,000 g) R134a

Fuel

Minimum octane requirement - AKI 87 (RON 91)

Fuel tank volume:

Front wheel drive, non-turbo models - 18.5 US gal. (70 liters)

All turbo models - 18 US gal. (68 liters)

Washer fluid reservoir

Volume: 6.8 US qts (6.4 liters) or 4.8 US qts (4.5 liters) on the V70 R.

All specifications are subject to change without prior notice.

pg. 171 Fuel system, Electronic ignition system, Suspension

Fuel system

The engine is equipped with a multiport fuel injection system.

Distributor ignition system

Firing order: 1-2-4-5-3

Electronic ignition setting: Not adjustable

Spark plugs: Champion RC8PYP 8 (or equivalent)

Spark plug gap: 0.028-0.032" (0.7-0.8 mm)

Tightening torque: 18.4 ft. lbs. (25 Nm)

WARNING!

The ignition system operates at very high voltages. Special safety precautions must be followed to prevent injury. Always turn the ignition off when:

- Replacing ignition components e.g. plugs, coil, etc.
- Do not touch any part of the ignition system while the engine is running. This may result in a shock and bodily injury.

Front suspension

Spring strut suspension with integrated shock absorbers and control arms linked to the support frame. Power-assisted rack and pinion steering. Safety type steering column. The alignment specifications apply to an unladen car but include fuel, coolant and spare wheel.

Rear suspension

Individual rear wheel suspension with longitudinal support arms, double link arms and track rods.

All specifications are subject to change without prior notice.

pg. 172 Electrical system

Electrical system

12 Volt, negative ground.

Voltage-controlled generator. Single-wire system with chassis and engine used as conductors. Grounded on chassis.

Battery

Voltage: 12 Volt, capacity: 600 A/115 min reserve capacity.

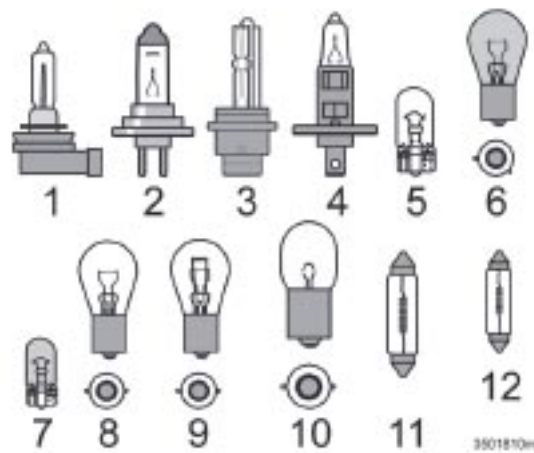
The battery contains corrosive and poisonous acids. It is of the utmost importance that old batteries are disposed of correctly. Your Volvo retailer can assist you in this matter.

Generator

Rated output: max. current: 140 A

Starter motor:

Output: 1.7 kW



Bulbs

Bulb

Bulb	Type	Socket
1. High beam	65W H9	
2. Low beam	55W H11	
3. Bi-Xenon headlight (option)	35W D2R	
4. Front foglights	55W H1	
4. Front foglights (V70 R)	55W H3	
5. Front parking lights, front side marker lights, rear footwell lighting, license plate lighting	W5W	W2.1x9.5d
6. Front/rear turn signals	PY21W	BAU 15s

7. Side turn signals (amber)	WY5W	W2.1x9.5d
8. Brake lights, backup lights	P21W	BA15s
9. Rear foglight, parking light	P21/4W	BAZ15d
10. Rear parking light	R5W	BA15s
11. Front footwell lighting, cargo area Lighting	C5W	SV8.5
12. Vanity mirror	1.2W	SV5.5

WARNING!

Bi-Xenon headlights (option) - due to the high voltage used by these headlights, these bulbs should only be replaced by an authorized Volvo service technician.

All specifications are subject to change without prior notice.

pg. 173 On Call Roadside Assistance



Volvo On Call Roadside Assistance

Your new Volvo comes with a four-year On Call Roadside Assistance program. Additional information, features, and benefits are described in a separate information package in your glove compartment.

If you have misplaced your package, dial:

In the U.S.A.

1-800-63-VOLVO (1-800-638-6586)

In Canada:

1-800-263-0475



Technician certification

In addition to Volvo factory training, Volvo supports certification by the National Institute for Automotive Excellence (A.S.E.). Certified technicians have demonstrated a high degree of competence in specific areas. Besides passing exams, each technician must also have worked in the field for two or more years before a certificate is issued. These professional technicians are best able to analyze vehicle problems and perform the necessary service procedures to keep your Volvo at peak operating condition.

pg. 174 This page intentionally left blank



[Contents](#) | [Top of Page](#)

2006 VOLVO V70

Chapter 10 - Audio systems

pg. 175 Audio systems

<u>Introduction</u>	<u>176</u>
<u>Audio system HU-650</u>	<u>177</u>
<u>overview</u>	
<u>Audio system HU-850</u>	<u>178</u>
<u>overview</u>	
<u>Radio functions</u>	<u>179</u>
<u>RBDS functions</u>	<u>183</u>
<u>HU - 650 CD player</u>	<u>186</u>
<u>HU - 850 internal CD changer</u>	<u>187</u>
<u>External CD changer (option)</u>	<u>188</u>
<u>Dolby Surround Pro Logic II</u>	<u>189</u>
<u>Specifications</u>	<u>191</u>
<u>HomeLink®</u>	<u>192</u>

pg. 176 Introduction

The audio system in your car is operated with the buttons and knobs in the system's front panel. Certain functions, such as adjusting the volume, changing radio stations or tracks on a CD, etc, can also be controlled with the optional steering wheel-mounted keypad.

The audio system is available in two versions:

HU-650

Features: AM/FM radio, single-disc CD player, 4x25W output, six speakers.

HU-850

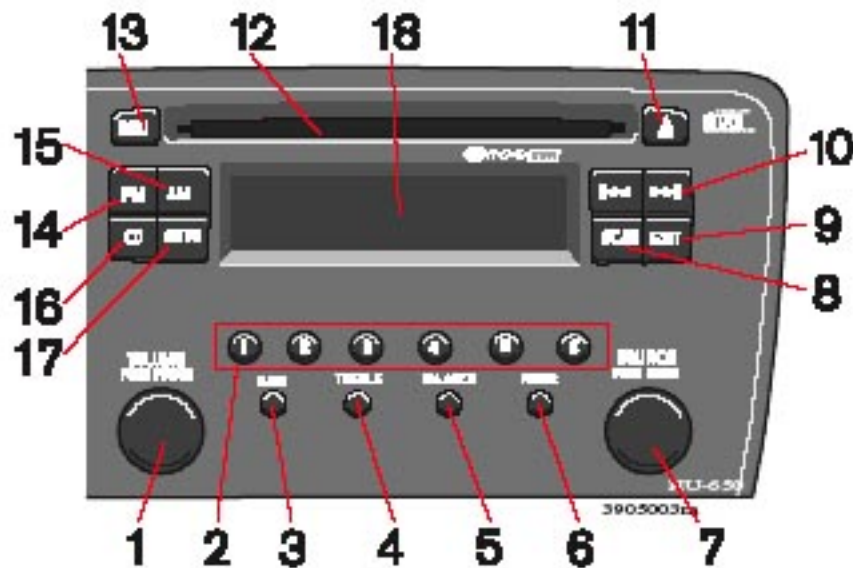
Features: AM/FM radio, integrated 6-disc CD changer, 4x50W or 4x70W output plus 25W Dolby Pro Logic II, eleven speakers.

A subwoofer mounted under the floor in the cargo area is available as an option. Consult your Volvo retailer.

Compact disc care

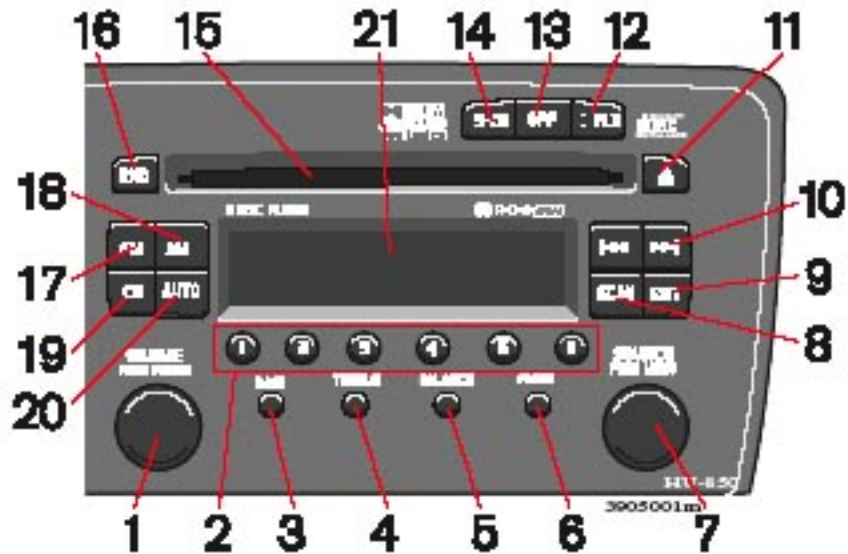
- Keep the discs clean. Wipe them with a soft, clean, lint-free cloth, working from the center outwards. If necessary, dampen the cloth with a neutral soap solution. Dry thoroughly before using.
- Never use cleaning spray or antistatic liquid. Use only cleaners specifically made for CDs.
- Use discs of the correct size only (3.5" discs should never be used). The discs should conform to the norms EN60908 (IEC60908).
- Do not put tape or labels on the disc itself.
- Volvo does not recommend the use of plastic outer rings on the disc.
- Condensation may occur on discs/optical components of the changer in cold winter weather. The disc can be dried with a clean, lint-free cloth. Optical components in the CD changer may, however, take up to one hour to dry off.
- Never attempt to play a disc which is damaged in any way.
- When not in use, the discs should be stored in their covers. Avoid storing discs in excessive heat, direct sunlight or dusty locations.

pg. 177 Audio system HU-650 - overview



1. On/off - press
Volume - turn
2. Buttons for selecting stored radio stations/discs in optional CD changer
3. Bass (press to release control and turn to adjust)
4. Treble (press to release the control, and turn to adjust)
5. Balance (left/right) - press to release control and turn to adjust
6. Fader (front/rear) - press to release the control, and turn to adjust
7. Source/Menu
Press to open main menu
Turn to select FM, AM, CD, CD changer (option)
8. Scan function (automatically search for radio stations)
9. Exit (exit the menu)
10. Navigation buttons (seek/change radio station or CD track)
11. CD eject
12. CD slot
13. CD random play
14. FM (select FM1, FM2, FM3)
15. AM (select AM1 or AM2)
16. CD player
17. AUTO - automatically search for radio stations
18. Display

pg. 178 Audio system HU-850 - overview



1. On/off - press
Volume - turn

2. Buttons for selecting stored radio stations/discs in optional CD changer

3. Bass (press to release control and turn to adjust)

4. Treble (press to release the control, and turn to adjust)

5. Balance (left/right) - press to release control and turn to adjust

6. Fader (front/rear) - press to release the control, and turn to adjust

7. Source/Menu

Press to open main menu

Turn to select FM, AM, CD, CD changer (option)

8. Scan function (automatically search for radio stations)

9. Exit (exit the menu)

10. Navigation buttons (seek/change radio station or CD track)

11. CD eject

12. Dolby Surround Pro Logic II
13. 2-channel stereo
14. 3-channel stereo
15. CD slot
16. CD random play
17. FM (select FM1, FM2, FM3)
18. AM (select AM1 or AM2)
19. CD player
20. AUTO - automatically search for radio stations
21. Display

pg. 179 Radio functions HU-650/HU-850



Switch on/off

Press the knob to switch on or turn off the radio.

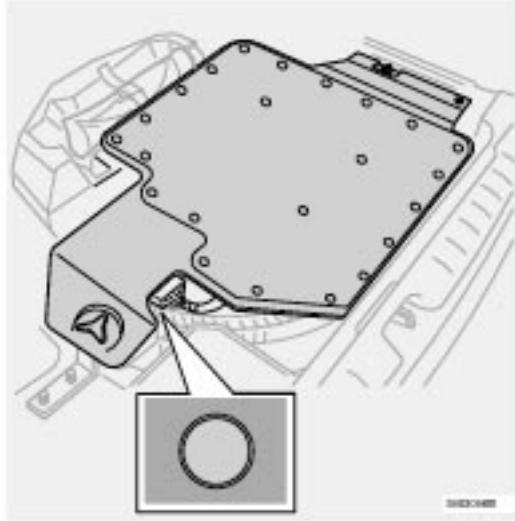
Volume control

Turn the knob clockwise to increase volume. Volume control is electronic and does not have an end stop. If you have a key pad in the steering wheel, increase or decrease the volume with the + or - buttons.

Volume control - ALARM

If a CD is playing when the radio receives an alarm bulletin (available in certain areas only), the CD

player enters pause mode. The bulletin is broadcast at the volume selected for this type of message. After the bulletin has been completed, the audio system reverts to the originally selected sound source (radio or CD), which is played at the volume that was selected for that source. If the bulletin volume is adjusted while the bulletin is being broadcast, this new volume is saved and used for subsequent bulletins.



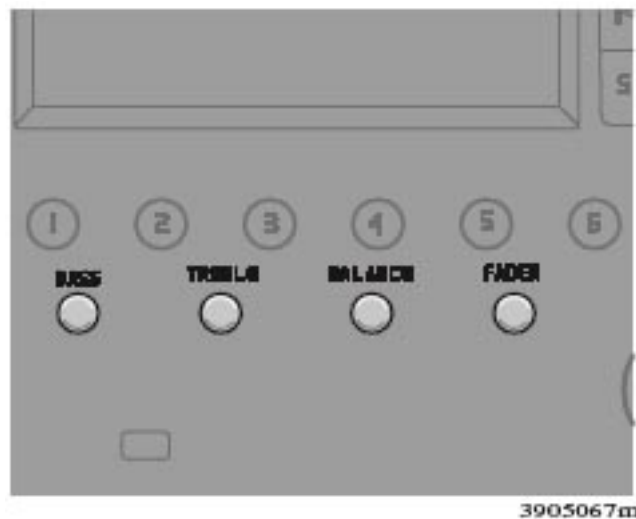
Volume control - Subwoofer

Turn the knob clockwise to increase volume.

Turn the knob counterclockwise to lower volume or switch off the subwoofer.

When the knob is in the middle, bass effect is "equalized".

pg. 180 Radio functions HU-650/HU-850



Sound settings

Bass

Adjust the bass by pressing the button to extend the control and turning it to the left (less bass) or to the right (more bass). A "detent" indicates "equalized" bass. Press the button back in when you have made the adjustment.

Treble

Adjust the treble by pressing the button to extend the control and turning it to the left (less treble), or to the right (more treble). A "detent" indicates "equalized" treble. Press the button back in when you have made the adjustment.

Fader - Balance front/rear

Adjust front/rear speaker balance by pressing the button to extend the control and turning it to the left (more sound from the rear speakers) or to the right (more sound from the front speakers). A "detent" indicates "equalized" balance. Press the button back in when you have made the adjustment.

Balance right/left

Adjust left/right speaker balance by pressing the button to extend the control, and turning it to the left (more sound from the left speakers) or to the right (more sound from the right speakers). A "detent" indicates "equalized" balance. Press the button back in when you have made the adjustment.

MID EQ level

This function is used to fine-tune the balance of sound in the speakers. To set the level:

1. Press SOURCE.
2. Turn the SOURCE knob, select ADVANCED MENU and press SOURCE.
3. Turn the SOURCE knob, select AUDIO SETTINGS and press SOURCE.
4. Turn the SOURCE knob, select MID EQ LEVEL and press SOURCE.
5. Turn the SOURCE knob, select the desired level and press SOURCE.
6. Press EXIT.



Selecting a sound source

The sound source (e.g. AM, FM, etc.) can be selected in two ways:

- Use the sound source buttons (see the center illustration above).
- Turn the SOURCE knob (see illustration above) to select a sound source (AM1, AM2, FM1, FM2, FM3, or CD). Press the knob to select the AM or FM band of your choice.

The sound source selected will be shown in the display.

pg. 181 Radio functions HU-650/HU-850





Scan



Press the SCAN button to start the station scan function. When a station is found, scanning stops for approximately 10 seconds, after which scanning will continue.

Press the SCAN or SOURCE button when a station has been found if you would like to listen to that station and to discontinue the scan function.

Station seek up/down

Press  or  to start the seek function. The radio seeks the next audible station and tunes it in. Repeat the procedure to continue the seek function.

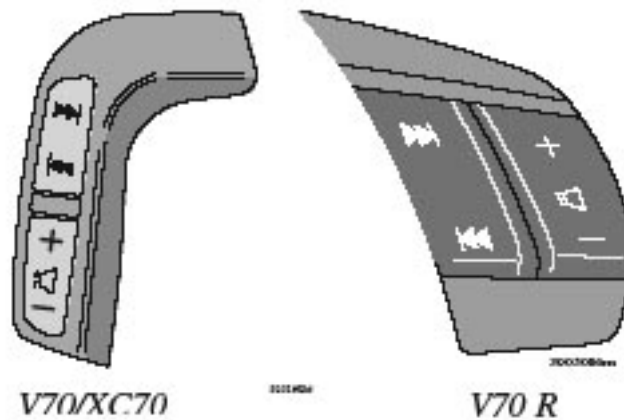
Manual station search

Press  or  and hold it down. MAN will be shown in the display. The radio scans slowly in the selected direction and will increase the scanning speed after a few seconds. Release the button when the

desired frequency appears in the display.

The frequency can be fine-tuned by short presses on the  or  keys.

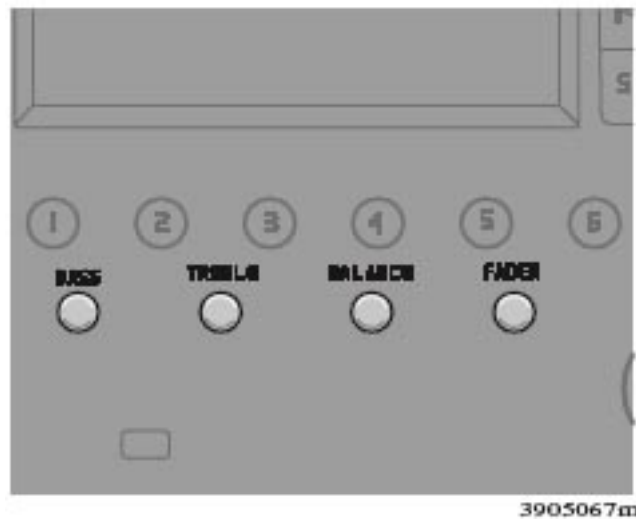
The system will remain in manual search mode for 5 seconds after the button is released, after which it will return to seek mode.



Steering wheel key pad (option)

If the vehicle is equipped with the key pad in the steering wheel press the right or left arrow to switch between preset stations.

pg. 182 Radio functions HU-650/HU-850



Storing stations

To store a selected station under one of the station setting buttons 1-6:

1. Tune to the desired station.
2. Press the button under which the station is to be stored and keep it depressed. The audio system sound will be interrupted for a few seconds and STORED will appear in the display. The station is now stored.

A total of 30 stations can be stored; 6 stations each in AM1, AM2, FM1, FM2, and FM3.

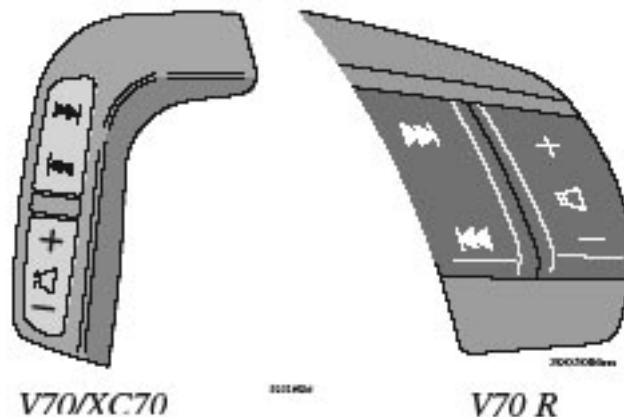


Storing stations automatically

This function automatically searches for and stores up to 10 strong AM or FM stations in a separate memory. If more than ten stations are found, the ten strongest ones are stored. This function is especially useful in areas in which you are not familiar with radio stations or their frequencies.

To use the AUTO function:

1. Select radio mode using the AM or FM buttons, or by turning the SOURCE knob.
2. Start the search by pressing AUTO for more than 2 seconds.
3. AUTO appears in the display and a number of stations with strong signals (max. 10) from the selected frequency band will be stored in the auto-store memory. If there are no stations with sufficient signal strength, NO STATION is displayed.



4. Press the AUTO button or the arrow keys on the optional steering wheel controls briefly to select the stored stations.

When the radio is in auto-store mode, AUTO is shown in the display. AUTO disappears when you return to the normal radio mode.

Return to the normal radio mode by pressing the AM, FM, or EXIT button.

To return to the Auto-store mode, press the AUTO button briefly.



[Contents](#) | [Top of Page](#)

Radio Broadcast Data System - RBDS

This feature, which may not be available in your area, functions only with FM broadcasts. The radio in your car is equipped with an advanced system allowing information from broadcasters to be transmitted visually, as text, together with the audio signal. This information is then decoded by the radio and made available for several new and unique features.

The RBDS or Radio Broadcast Data System operates in the FM band only, and the information transmitted is supplied exclusively by participating broadcasters. Volvo has no control over the accuracy of the data or information.

Coverage by local broadcasters may be limited at this time, but as the technology and benefits grow, you will find the radio in your car is equipped to take advantage of this system.

PI (Program Information) Seek:

When an FM station has been stored as a preset, the radio also stores RBDS program information if it is available. When the preset is selected at a later time, the radio tries to access updated program information. In weak signal areas, there may be a delay before the station becomes audible. During this delay, "PI seek" will be displayed and there will be no sound.

PI seek can be interrupted by pressing EXIT.

Radio text

Certain RBDS stations broadcast program information, which can be shown in the display. The text will be shown twice in the display.

To start this function:

Press the FM button for several seconds.

To deactivate this function:

Press EXIT briefly.

Station information will be shown twice in the display.

Alarm

Alarms bulletins are transmitted automatically by certain RBDS stations. The function cannot be deactivated.

"Alarm!" is shown in the radio display when an alarm message is sent. The function is used to warn motorists of serious accidents, etc.

Program type/station format -PTY

The PTY function allows you to find stations whose programs suit your taste. Use the PTY function to select among the different station formats shown in the list.

To select a station format:

1. Select radio mode using the FM button, or by turning the SOURCE knob.
2. Press the SOURCE knob, select PTY and press SOURCE.
3. Turn the SOURCE knob, select a station format from the list and press SOURCE to confirm the selected station format. The PTY (station format) of the selected station is now shown in the display.

NOTE: Not all RBDS radio stations have PTY designations.

Station formats

Format	Display text
Off	PTY OFF
News	NEWS
Current affairs	AFFAIRS
Information	INFO
Sports	SPORT
Education	EDUCATION
Drama	DRAMA
Art and culture	CULTURE
Science	SCIENCE
Entertainment	VARIED
Pop music	POP M
Rock music	ROCK M
Easy listening	EASY M
Light classics	LIGHT M
Classical music	CLASSICS
Other music	OTHER M
Weather	WEATHER
Finance	FINANCE
Religious programs	RELIGION
Travel	TRAVEL
Leisure	LEISURE
Jazz music	JAZZ

Country music	COUNTRY
National music	NATION M
Oldies	"OLDIES"
Folk music	FOLK M
Documentary	DOCUMENT

pg. 185 RBDS functions

Automatic Frequency update (AF)

The AF function tunes to the strongest transmitter for the current station, if that station supports alternative frequencies. AF is OFF by default.

To activate/deactivate AF:

1. Select radio mode using the FM button, or by turning the SOURCE knob.
2. Press SOURCE.
3. Turn the SOURCE knob, select ADVANCED MENU and press SOURCE.
4. Turn the SOURCE knob, select RADIO SETTINGS and press SOURCE.
5. Turn the SOURCE knob, select AF ON/OFF (flashing text) and press SOURCE.
6. Press EXIT.

To reactivate the function, follow the procedure above and select AF ON in step 5.

Resetting RBDS functions

RBDS functions can be returned to their factory settings as follows:

1. Select radio mode using the FM button, or by turning the SOURCE knob.
2. Press SOURCE.
3. Turn the SOURCE knob, select ADVANCED MENU and press SOURCE.
4. Turn the SOURCE knob, select RESET TO DEFAULT and press SOURCE.
5. Press EXIT.

ASC - speed compensated volume

The audio system's volume is adjusted automatically according to the speed of the vehicle. There are three settings available: low, medium, or high.

To activate ASC:

1. Select radio mode using the FM button, or by turning the SOURCE knob.
2. Press SOURCE.
3. Turn the SOURCE knob, select ADVANCED MENU and press SOURCE.
4. Turn the SOURCE knob, select AUDIO SETTINGS and press SOURCE.

5. Turn the SOURCE knob, select ASC LEVEL (flashing text) and press SOURCE.
6. Turn the SOURCE knob to select LOW, MEDIUM, HIGH, or OFF and press SOURCE.
7. Press EXIT.

NOTE: Please be aware that there are certain RBDS menu selections, for example EON, TP search, News, etc, that may not be available in North America.



pg. 186 HU-650 - CD player

Starting the CD player



Please refer to the illustration on [page 177](#) for the location of the buttons referred to on this page.

1. Insert a disc into the player.
2. Press the CD button or turn the SOURCE knob to CD.

Changing tracks

Briefly press the   keys (or the corresponding keys on the optional steering wheel keypad) to skip to the previous or next track. The track number is shown in the display.

Fast forward/back

Press and hold down the   keys to search within a track or the entire disc. The search continues for as long as the buttons are held in.

NOTE: The corresponding keys on the optional steering wheel keypad cannot be used for fast forward/back.

Random play

This function plays the tracks on a CD in random order (shuffle).

- Select CD mode and press the RND button. RND is shown in the display as long as the function is activated.
- Press RND again to stop random play.

Scan

This function plays the first 10 seconds of each track on the CD.

- Press SCAN to start the function.
- Press SCAN again or EXIT to stop the scan function and listen to an entire track.

CD eject

Press the button (no. 11 in the illustration on [page 177](#)) to eject the disc.

NOTE:

- For reasons of traffic safety, the ejected CD must be removed within 12 seconds or it will be automatically drawn back into the slot and the CD player will resume playing the most recently selected track.
- See [page 176](#) for information on caring for compact discs.

pg. 187 HU-850 - internal CD changer

Starting the CD changer

The HU-850 is equipped with an internal, 6-disc CD changer.

Please refer to the illustration on [page 178](#) for the location of the buttons referred to on this page.

To load discs into the changer:



1. Press the CD button or turn the SOURCE knob to CD.
2. Select an empty position by pressing one of the preset buttons. The display shows which positions are empty. LOAD DISC must be displayed before a disc is inserted into the player.
3. Insert a disc.

If there are discs in the player when CD mode is selected, the changer will resume playing the disc and track that were most recently played.



Selecting a disc position (number)

Use the station setting buttons 1-6 to select the disc to be played. The number of the disc and the track being played are shown in the display.

Changing tracks

Briefly press the   keys (or the corresponding keys on the optional steering wheel keypad) to skip to the previous or next track. The track number is shown in the display.

Fast forward/back

Press and hold down the   keys to search within a track or the entire disc. The search continues for as long as the buttons are held in.

NOTE: The corresponding keys on the optional steering wheel keypad cannot be used for fast forward/back.

Random play

This function plays the tracks on a CD in random order (shuffle).

- Select CD mode and press the RND button. RND is shown in the display as long as the function is activated. Random tracks from randomly selected discs will be played.
- Press RND again to stop random play.

Scan

This function plays the first 10 seconds of each track on the CD.

- Press SCAN to start the function.
- Press SCAN again or EXIT to stop the scan function and listen to an entire track.

Scan only works on the selected disc.

CD eject

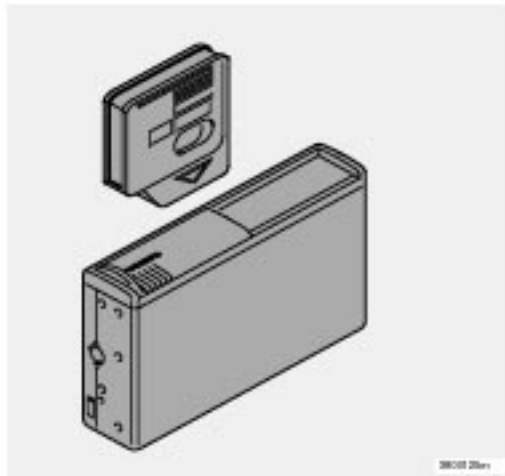
This function makes it possible to eject a single disc, or to eject all of the discs in the changer.

- Press the eject button briefly to eject the disc that is currently playing.
- A longer press (more than two seconds) starts the process of ejecting all of the discs in the changer.

NOTE:

- The EJECT ALL function can only be used while the vehicle is at a standstill and will be cancelled if the vehicle begins to move.
- For reasons of traffic safety, you have 12 seconds in which to remove the ejected disc. After that, the disc automatically reinserts into the player, and the CD player will resume playing the most recently selected track.
- See [page 176](#) for information on caring for compact discs.

pg. 188 External CD changer (option)



External CD changer

The optional 10-CD changer is mounted in the cargo compartment.

Please refer to the illustrations on [pages 177 and 178](#) for the location of the buttons referred to on this page.

Turn the SOURCE knob to select the external CD changer.

To load discs into the changer:

1. Slide the cover on the CD change open.
2. Press the eject button on the CD changer.
3. Pull the magazine out of the changer and insert the disc(s).
4. Press the magazine back into the changer and slide the cover back into place.



If there are discs in the player when CD mode is selected, the changer will resume playing the disc and track that were most recently played.

Selecting a disc position (number)



Use the station setting buttons 1-6 to select the disc to be played. Continue to press button 6 to select discs 7-10.

The number of the disc and the track being played are shown in the display.

Changing tracks

Briefly press the   keys (or the corresponding keys on the optional steering wheel keypad) to skip to the previous or next track. The track number is shown in the display.

Fast forward/back

Press and hold down the   keys to search within a track or the entire disc. The search continues for as long as the buttons are held in.

NOTE: The corresponding keys on the optional steering wheel keypad cannot be used for fast forward/back.

Random play

This function plays the tracks on a CD in random order (shuffle).

- Select CD mode and press the RND button. RND is shown in the display as long as the function is activated. Random tracks from randomly selected discs will be played.
- Press RND again to stop random play.

Scan

This function plays the first 10 seconds of each track on the CD.

- Press SCAN to start the function.
- Press SCAN or EXIT to stop the scan function and listen to an entire track.


Scan only works on the selected disc.

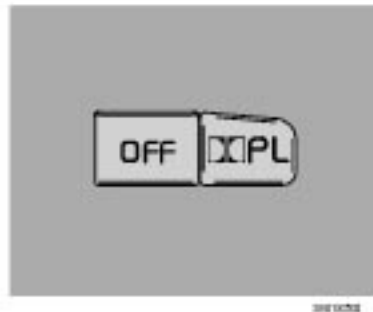
Dolby Surround Pro Logic II

Dolby Surround Pro Logic II is a further development of the previous version of the system and provides enhanced sound quality. The improved sound is particularly apparent to passengers in the rear seat. Dolby Surround Pro Logic II, together with a center speaker in the dashboard, offers you a sound experience very close to a live performance. The normal left-right stereo channels are divided to left-center-right. In addition, surround sound is produced by the rear speakers. This surround sound mirrors the ambience of a concert hall.

NOTE:

- Dolby Surround Pro Logic II is optimized for CD mode.
- When listening to FM radio stations, Dolby Surround Pro Logic II functions best in areas with strong reception. If reception is weak, selecting 2 or 3-channel stereo may provide better sound quality.
- 3 channel stereo is recommended for AM and FM broadcasts.

 Dolby Surround Pro Logic II and the Dolby icon are trademarks of Dolby Laboratories Licensing Corporation. Dolby Pro Logic II Surround System is manufactured under license from Dolby Laboratories Licensing Corporation.



Dolby Surround Pro Logic II

To select Dolby Surround Pro Logic II mode during CD playback, press "  PL II". "Dolby Pro Logic II" is displayed. Press "OFF" to return to 2 channel stereo.



3 Channel stereo

To select 3 channel stereo mode press "3-CH". "3 ch" is displayed. Press "OFF" to return to 2 channel

stereo.

pg. 190 Dolby Surround Pro Logic II - HU-850

Center level

This function is used to set the level of the center speaker in the dashboard. To set the level:

1. Press SOURCE.
2. Turn the SOURCE knob, select ADVANCED MENU and press SOURCE.
3. Turn the SOURCE knob, select AUDIO SETTINGS and press SOURCE.
4. Turn the SOURCE knob, select CENTER LEVEL and press SOURCE.
5. Turn the SOURCE knob, select the desired level and press SOURCE.
6. Press EXIT.

Surround level

This function is used to set the level of the of the rear speakers. To set the level:

1. Press SOURCE.
2. Turn the SOURCE knob, select ADVANCED MENU and press SOURCE.
3. Turn the SOURCE knob, select AUDIO SETTINGS and press SOURCE.
4. Turn the SOURCE knob, select SURROUND LEVEL and press SOURCE.
5. Turn the SOURCE knob, select the desired level and press SOURCE.
6. Press EXIT.

pg. 191 Audio systems - specifications

HU-650

Output: 4 x 25 W

Impedance: 4 Ohm.

Voltage required: 12 V, negative ground

External amplifier: 4 x 50 W or 4 x 75 W (option)

Radio

Frequency range:

AM 530 - 1710 kHz

FM 87.7 - 107.9 Mhz

Subwoofer

Internal amplifier 150 W

HU-850

Output: 1 x 25 W (center speaker)

Impedance: 4 Ohm.

Voltage required: 12 V, negative ground

External amplifier: 4 x 50 W or 4 x 75 W

HU-850 must be connected to an external amplifier.

Radio

Frequency range:

AM 530 - 1710 kHz

FM 87.7 - 107.9 Mhz

Alarm

"Alarm!" is displayed when an alarm message is sent. The function is used to warn the driver of a serious accident or disaster situation.

CAUTION:

The optional supplementary amplifier (HU-850) may be mounted under the front passenger's seat. If the floor of the car has become soaked for any reason, do not turn on the radio. This would cause damage to the amplifier. Contact a Volvo retailer.

Low battery voltage

If the level of battery voltage is low, a message will be displayed.

The car's energy conservation function may switch off the audio system. Recharge the battery by starting the engine.

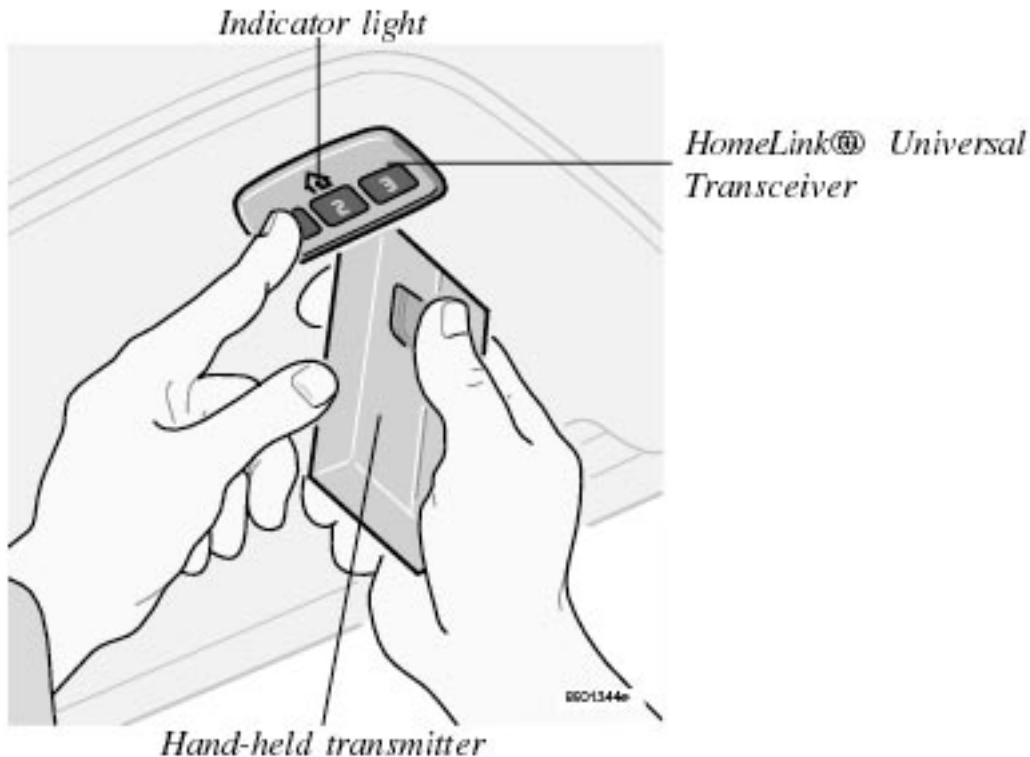


[Contents](#) | [Top of Page](#)

2006 VOLVO V70

HomeLink® Universal Transceiver (option)

pg. 192 HomeLink® Universal Transceiver (option)



HomeLink® Universal Transceiver

HomeLink® is an advanced system that can be programmed to learn the codes of three different remote controlled-devices (e.g., garage door openers, remote lighting, entry door lock). HomeLink®'s sun visor-mounted transceiver, powered by your car's electrical system, may then be used in place of your hand-held remote controls.

NOTE: For your security, the HomeLink® Universal Transceiver is designed to **not** function if you lock your car from the *outside*.

Programming the transceiver

1. The ignition switch must be turned to the "accessory" position (II) before programming the

HomeLink® Universal Transceiver.

2. Begin by erasing all 3 factory default channels. Hold down the two outside buttons (buttons 1 and 3 in the illustration) on the HomeLink® Universal Transceiver for about 20 seconds, until HomeLink®'s indicator light begins to flash. Then release the buttons.

3. Hold your hand-held transmitter (garage door opener, for example) 2 to 5 in. (5 to 12 cm) away from the HomeLink® surface, keeping the indicator light in view. For placement questions, contact HomeLink® toll-free 1-800-355-3515 (Internet: www.HomeLink.com).

4. Using two hands, push and hold both your hand-held transmitter's button and the transceiver button you wish to program. The indicator light will flash first slowly, then rapidly. Rapid flashing tells you the HomeLink® button has been successfully programmed. Release both buttons.

5. If you are programming a rolling code-equipped device (e.g., garage door opener or entry door lock), refer to "Programming rolling codes" on the next page to complete the programming process.

Repeat steps 3 and 4 to program the other two transceiver buttons.

If, after several attempts, you are unable to successfully train the HomeLink® Universal Transceiver to learn your hand-held transmitter's signal, contact HomeLink® toll-free 1-800-355-3515 (Internet: www.HomeLink.com).

WARNING!

- If you use HomeLink® to open a garage door or gate, be sure no one is near the gate or door while it is in motion.
- Do not use the HomeLink® Universal Transceiver with any garage door opener that lacks safety "stop" and "reverse" features as required by federal safety standards. (This includes any garage door opener model manufactured before April 1, 1982) A garage door opener that cannot "detect" an object, signalling the door to "stop" and "reverse" does not meet current federal safety standards. Using a garage door opener without these features increases the risk of serious injury or death. For more information on this matter, call toll-free 1-800-355-3515 (Internet: www.HomeLink.com).

pg. 193 HomeLink® Universal Transceiver (option)

NOTE - Canadian residents:

During programming, your hand-held transmitter may automatically stop transmitting. To successfully

train HomeLink®, continue to hold the HomeLink® button. At the same time, repeatedly press and hold your hand-held transmitter's button at *two-second intervals* until HomeLink® has learned your transmitter's code. The HomeLink® indicator light will flash first slowly, and then rapidly to indicate that the button has been successfully programmed.

Determining if your garage door uses a rolling code

Determine, in one of the following ways, if your garage door uses a rolling code system and is manufactured after 1996:

- Refer to the garage door opener owner's manual for verification.
- If your hand-held transmitter appears to program the HomeLink® Universal Transceiver but the programmed button does not activate the garage door, your garage door opener may have a rolling code.
- Press the programmed HomeLink® button. If the garage door opener has the rolling code feature, the HomeLink® indicator light flashes rapidly and then glows steadily after approximately 2 seconds.

To train a rolling code garage door opener, follow these instructions after programming the desired transceiver button according to "Programming the transceiver." The help of a second person may make training easier.

1. Locate the training button on the *garage door opener motor head unit*. The location and color of the training button may vary. If you encounter difficulty, refer to the garage door opener owner's manual or call toll-free 1-800-355-3515 (Internet: www.HomeLink.com).
2. Press the "training" button on the garage door opener motor head unit until the "training" light comes on.
3. Press and release the programmed HomeLink® button. Press and release the programmed HomeLink® button a *second* time to complete the training process. Some garage door openers may require you to do this procedure a *third time* to complete the training.

The programmed button on your HomeLink® Universal Transceiver should now operate your garage door opener. The original hand-held transmitter can also be used, as desired, to operate the garage door.

The remaining two HomeLink® buttons can be programmed in the same way. In the event of any problems in programming the HomeLink® Universal Transceiver, call toll-free 1-800-355-3515 (Internet: www.HomeLink.com).

Operating the HomeLink® Universal Transceiver

Once programmed, the HomeLink® Universal Transceiver can be used in place of your hand-held transmitters.

To operate, the key must be turned to the "accessory" position (II) or the engine must be running. Press

the programmed HomeLink® button to activate the garage door, driveway gate, security lighting, home security system, etc.

Your original hand-held transmitters may, of course, be used at any time.

Erasing programmed buttons

Individual buttons cannot be erased. To erase all three programmed buttons:

1. Turn the ignition key to the "accessory" position (II).
2. Hold down the two outside buttons on the HomeLink® Universal Transceiver for about 20 seconds, until HomeLink®'s indicator light begins to flash.
3. Release both buttons.

The HomeLink® buttons can be reprogrammed using the procedures described on the previous page.

(HomeLink® information continues on the next page)

pg. 194 HomeLink® Universal Transceiver (option)

Reprogramming a single HomeLink® button

1. Press and hold the desired HomeLink® button. **Do not release** the button until step 3 has been completed.
2. When the indicator light begins to flash slowly (after approximately 20 seconds), position your hand-held transmitter 2 to 5 in. (5 to 12 cm) away from the HomeLink® surface.
3. Press and hold the hand-held transmitter button. The HomeLink® indicator light will flash first slowly, then rapidly. When the indicator light flashes rapidly, release both buttons.

The previously programmed device has now been erased and the new device can be activated by pressing the HomeLink® button that has just been programmed. This procedure will not affect any other programmed HomeLink® buttons.

NOTE:

- Retain the original transmitter(s) for future programming procedures (e.g., if you purchase a new car).
- For your own security, erase all programmed buttons on the HomeLink® Universal Transceiver when you sell your car.

- Metallic sun protection films should not be used on any windows in a car equipped with HomeLink® Universal Transceiver. This could interfere with the transceiver's function.
-



[Contents](#) | [Top of Page](#)

2006 VOLVO V70

INDEX

pg. 196 - 199 Index

A	
ABS	114
ABS - warning light	29
Active chassis system	99
Adjusting the steering wheel	36
Advanced chassis mode	99
Air conditioning	50 - 53
Air vents	48
Airbag - front	6-8
Alarm	84, 85
Alarm - "panic" function	84
All Wheel Drive	
- general information	98
Anti-lock Brake System (ABS)	114
Anti-lock Brake System - warning light	29
Antifreeze	110, 154
Approach lighting	80
Armrest (center) - 3-section rear seat	67
Ashtray	41
Audio systems	175
- CD player	186, 187
Automatic car washing	150

Automatic transmission	94, 95
- Cold starts	95
- Geartronic	96, 97
- Kickdown	95, 96
- Sport mode	97
Auxiliary 12 Volt socket in cargo area	70
Auxiliary seat	18, 76
Auxiliary socket	41
AWD	
- general information	98
B	
Backrest (center) - 3-section rear seat	66
Backrests, rear - folding down	65
Battery	110, 172
- maintenance	163
- replacing	162
- ventilation hose	162
"Black box" (Vehicle Event Data)	152
Booster cushion	19, 20
Brake failure warning light	28
Brake fluid	
- reservoir	161
- specifications	170
Brake system	113
Bulbs (list)	172
Bulbs - replacing	141-147
C	
Capacities (oils and fluids)	165, 170
Car washing	149
Cargo compartment cover	74
Cargo compartment lighting	70
Cargo eyelets	71

Cargo net	72
Catalytic converters - three-way	112
Center armrest - 3-section rear seat	67
Center backrest (3-section rear seat)	66
Center console - switches	31
Center seat head restraint	65
Central locking buttons	83
Chains (winter driving)	130
Changing a wheel	132
Chassis settings (R-models)	99
Child auxiliary seat	18
Child booster cushion	19, 20
Child Restraint Anchorages	22
Child safety	17-22
Child safety locks - rear doors	86
Child seat anchors, ISOFIX	22
Climate controls	50-56
Climate system - general information	49
Clock	27
Clutch interlock	93
Coat hanger	63
Cold weather driving	110
Combination filter	50, 53
Comfort chassis mode	99
Coolant	154
Cooling system - general information	102
Courtesy light	77
Courtesy lights (front) - replacing	146
Courtesy lights - exterior	80
Cruise control	33
Cup holders	63

D

Detachable trailer hitch	108
Dimensions	167
Direction indicators	37
Direction indicators	30
Distributor ignition system	171
Dolby Surround Pro Logic II	189
Dome lighting	77
Door step courtesy lights - replacing	147
Doors and locks	80
Drive belt	154
Driving economy	101
Driving mode indicator	27
Driving mode W	95 , 97 , 110
Driving with tailgate open	102
Dynamic Stability Traction Control (DSTC)	115 , 116
E	
Economical driving	101
Electric socket in cargo compartment	70
Electrical system	172
Electrical system - general information	102
Electrically operated moonroof	44
Electrically operated seats	58
Electrically operated sideview mirrors	43
Electrically operated windows	42
Electronic Brake Force Distribution	114
Electronic Climate Control (ECC)	50 - 53
Emergency towing	105 , 106
Emergency warning flashers	40
Emission inspection readiness	156
Emissions systems	153
Engine - specifications	169
Engine - starting	91 , 92

Engine compartment	158
Engine oil	110 , 159-160 , 170
Extension of cargo compartment	65
Exterior courtesy lights	80
Exterior features - overview	25
Extra seat	76
F	
Fog lights	35
Folding passenger's seat backrest	65
Folding front seat backrest	60
Folding table	64
Four-C active chassis system	31 , 99
Front airbags	6 - 8
Front courtesy lights - replacing	146
Front fog lights	35
Front park assist (accessory)	100
Front reading lights	77
Front seat backrest - folding	60
Front seats - adjusting	58 , 59
Front seats - heated	40
Front suspension	171
Fuel	88
Fuel filler cap	90
Fuel filler door	90
Fuel filler door, unlocking	35
Fuel formulations	89
Fuel gauge	27
Fuel requirements	88
Fuel system	153 , 171
Fuel tank volume	170
Fuel/emissions systems	153
Fuses	136-140

G

Gas cap	90
Gasoline	88
Gear indicator	27
Geartronic (automatic transmission)	96, 97
Generator	172
Generator warning light	28
Glossary of tire terminology	127
Glove compartment	63

H

Hand brake	41
Handgrip - XC70	57, 76
Handling	101
Hazard warning flashers	40
Head restraint - center rear	66
Head restraint rear	65
Headlight flash	37
Headlight wiper blades - replacing	164
Headlights	35, 37
Heated front seats	40
Heated rear window	40
Heated sideview mirrors	40
Heating	50-53
High beam flash	37
High/low beam headlights	37
Hoisting the car	157
Holder for grocery bags	70
Home safe lighting	37
HomeLink®	192 -194
Hood - opening	158
HU-650 - overview	177
HU-850 - overview	178

I

Ignition switch	36
Immobilizer (start inhibitor)	80 , 91
Indicator lights	28 , 29
Inflatable curtain (VIC)	13
Inspecting SRS system components	14
Instrument panel	27
Instrument panel lighting	35
Instruments	26
Integrated booster cushion	19
Interior Air Quality system	53
Interior features - overview	24
Interior lighting	77
ISOFIX child seat anchors	22

J

Jack	75 , 132
Jump starting	109

K

Key - removing from ignition switch	91
Keyless entry system	81 , 82
Keyless entry system - replacing batteries	82
Keylock	91
Keys	80
Kickdown	95 , 96

L

Label information	166
LATCH/ISOFIX anchors	22
License plate lights - replacing	146
Lifting the car	157
Lighting panel	35
Load carriers	103
Loading the vehicle	71

Locking and unlocking the car	80
Locking steering wheel	36
Long distance trip	111
Long loads	60
Low/high beam headlights	37
`	
M	
Maintaining your car	156
Maintenance, performed by owner	155
Maintenance service	152
Malfunction indicator lamp	29
Manual climate control with air conditioning	54-56
Manual front seat adjustment	59
Manual transmission	93
Mirrors	43
Mirrors, sideview - memory function	43
Moonroof	44
N	
Net - cargo	72
Nylon cargo net	72
O	
Occupant safety	2
Occupant Weight Sensor (OWS)	9-11
Octane rating	88
Odometer	29
Oil - engine	110 , 159-160 , 170
Oil -level (R-models)	160
Oil pressure warning light	28
On Call Roadside Assistance	173
Opening the hood	158
Owner maintenance	155
P	

Paint touch-up	148
Panel lighting	35
Panic function (alarm)	84
Park Assist	100
Parking brake	41
Parking brake reminder light	28
Parking lights	35
Passenger's seat backrest - folding	60
Polishing	150
Power moonroof	44
Power seats	58, 59
Power steering - speed sensitive	101
Power steering fluid	161
Power windows	42
On Call Roadside Assistance	183
R	
R-models, checking oil level	160
Radio	175
Rain sensor - windshield wipers	38
Reading lights - front/rear	77
Rear fog light	29, 35
Rear park assist	87, 100
Rear reading lights	77
Rear seat backrest	69
Rear window - heated	40
Rear-facing auxiliary seat	18, 76
Rearview mirror	43
Refrigerant	49
Refueling	90
Remote central locking system and sideview mirrors	43
Remote control - keyless entry system	81

Remote control - Homelink® Universal Transceiver	193
Remote keyless entry system	81
Remote keyless entry system - replacing batteries	82
Removing the seat cushion	69
Replacing bulbs	141-147
Replacing fuses	136
Replacing the battery	162
Replacing wiper blades	164
Reporting Safety Defects	2
Road assistance	173
Roadholding	101
Roadside Assistance	173
Roof load - maximum	168
Roof racks	103
Run flat tires	125
S	
Safety Defects - reporting	2
Safety locks - child	86
Seat belt reminder	3
Seat belts	3-5 , 21
- use during pregnancy	4
Seat belts - cleaning	151
Seats - front	58 , 59
Securing cargo	71
Self supporting run flat tires	125
Servicing	157
Shiftlock	91 , 94 , 96
Side impact airbag system (SIPS)	12
Side windows - laminated	39
Sideview mirrors	43
Sideview mirrors - heated	40

Sideview mirrors - memory function	43
Snow chains	130
Snow tires	130
Spare tire	75 , 131
Spark plugs	171
Speed-sensitive power steering	101
Sport chassis mode	99
Sport mode (automatic transmission)	97
SRS	8
SRS system components - inspecting	14
SRS warning light	29
Stability Traction Control (STC)	115 , 116
Start inhibitor (immobilizer)	80 , 91
Starting the engine	91 , 92
Steel grid	72
Steering wheel adjustment	36
Steering wheel lock	36
Stop and Store bag	68
Storage compartments	61 , 62
Storage in the glove compartment	63
Storing wheels and tires	118
Studded tires	130
Subwoofer	75 , 179
Supplemental Restraint System	5 , 29
Suspension	171
Switches in center console	31
T	
Tachometer	27
Tailgate - driving when open	102
Tailgate - locking/unlocking	83
Tailgate wiper blade - replacing	164
Tailgate wiper/washer	39

Temperature gauge	27
Temporary spare tire	131
Text window	30
Three-way catalytic converters	112
Tire age	119
Tire changing	132
Tire designations	126
Tire inflation	120
Tire inflation pressure tables	122
Tire Pressure Monitoring System	123
Tire terminology	127
Tires	118-133
Tires - changing	132
Tool bag	75
Top tether anchorages	22
Touching up paint	148
Towing a trailer	107
Towing eyelet	105
Towing the car	105, 106
Trailer hitch	108
Trailer towing	107
Trailer weight - maximum	168
Transmission - automatic	94-99
Trip computer	32
Trip odometer	27
Turn signals	37
U	
Uniform Tire Quality Grading	129
Unlocking the fuel filler door	35
Unlocking the tailgate	83
Upholstery - cleaning	151
V	

Vehicle Event Data	152
Vehicle Identification Number (VIN)	166
Vehicle loading	71 , 128
Ventilation	48
Ventilation hose, battery	162
Volvo Inflatable curtain (VIC)	13
Volumes (oils and fluids)	170
Volvo On Call Roadside Assistance	173
W	
Warning flashers	40
Warning light - center	28
Warning lights	28 , 29
Warranty	152
Washer fluid reservoir	157 , 170
Washer fluid solvent	110
Washing the car	149-151
Water repellent glass	39 , 149
Waxing	150
Weight distribution	101
Wheels changing	132
Wheels and tires - storing	118
Whiplash Protection System (WHIPS)	15 , 16
Windows - electrically operated	42
Windshield washer solvent	110
Windshield wiper blades - replacing	164
Windshield wipers/washers	38
Winter driving	110
Winter/Wet driving mode	95 , 97 , 110
Wiper blades - replacing	164



[Contents](#) | [Top of Page](#)

2006 VOLVO V70

Back Cover

Back Cover

Accessory Installation - Important Warning

- We strongly recommend that Volvo owners install only genuine, Volvo-approved accessories, and that accessory installations be performed only by the factory-trained technicians at your authorized Volvo retailer.
- Genuine Volvo accessories are tested to ensure compatibility with the performance, safety, and emission systems in your car. Additionally, your authorized Volvo retailer knows where accessories may and may not be safely installed in your Volvo. In all cases, please consult your authorized Volvo retailer before installing any accessory in or on your car.
- Accessories that have not been approved by Volvo may or may not be specifically tested for compatibility with your car. Additionally, an inexperienced installer may not be familiar with some of your car's systems.
- Any of your car's performance and safety systems could be adversely affected if you install accessories that Volvo has not tested, or if you allow accessories to be installed by someone unfamiliar with your car.
- Damage caused by unapproved or improperly installed accessories may not be covered by your new car warranty. See your Warranty and Service Records Information booklet for more warranty information. Volvo assumes no responsibility for death, injury, or expenses that may result from the installation of non-genuine accessories.

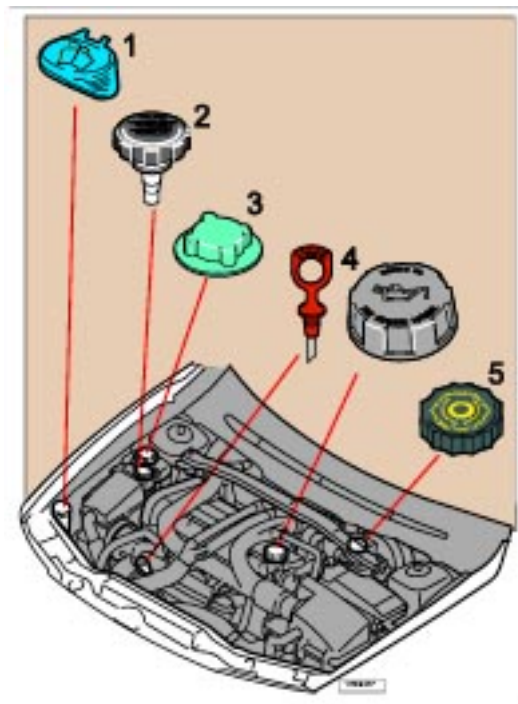
Driver Distraction

- Driver distraction results from driver activities that are not directly related to controlling the car in the driving environment. Your new Volvo is, or can be, equipped with many feature-rich entertainment and communication systems. These include hands-free cellular telephones, navigation systems, and multipurpose audio systems. You may also own other portable electronic devices for your own convenience. When used properly and safely, they enrich the driving experience. Improperly used, any of these could cause a distraction.
- For all of these systems, we want to provide the following warning that reflects the strong Volvo concern for your safety:
- Never use these devices or any feature of your vehicle in a way that distracts you from the task of

driving safely. Distraction can lead to a serious accident.

- In addition to this general warning, we offer the following guidance regarding specific newer features that may be found in your vehicle:
- Never use a hand-held cellular telephone while driving. Some jurisdictions prohibit cellular telephone use by a driver while the vehicle is moving.
- If your car is equipped with a navigation system, set and make changes to your travel itinerary only with the vehicle parked.
- Never program your audio system while the vehicle is moving. Program radio presets with the vehicle parked, and use your programmed presets to make radio use quicker and simpler.
- Never use portable computers or personal digital assistants while the vehicle is moving.

A driver has a responsibility to do everything possible to ensure his or her own safety and the safety of passengers in the vehicle and others sharing the roadway. Avoiding distractions is part of that responsibility.



The following should be checked regularly: *

1 Washer fluid reservoir should be filled with water and solvent (wintertime: windshield washer anti-freeze). See [page 157](#).

2 Power steering - When cold, the level must not be above the COLD mark and when hot it must not be above the HOT mark. Top up if the level drops to the ADD mark with ATF fluid. See [page 161](#).

3 Coolant level should be between the expansion tank marks. Mixture: 50% anti-freeze and 50% water. See [page 154](#).

4 Engine oil level should be between the dipstick marks. The distance between the marks represents approx.

1.6 US qts (1.5 liters). See [page 159](#).

5 Brake fluid - check, without removing the cap, that the level is above the MIN mark. Use brake fluid DOT 4+. See [page 161](#).

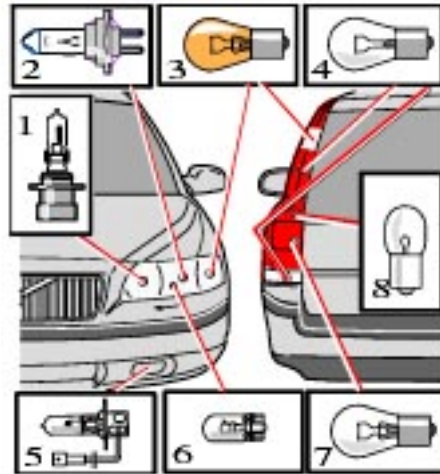
* Engine oil should be checked each time the car is refuelled.

VOLVO

Volvo Car Corporation
S-40531 Gothenburg, Sweden

Octane rating, see [page 88](#).

Tire pressure, see label located on the inside of the fuel tank cover.



[Contents](#) | [Top of Page](#)

Free Manuals Download Website

<http://myh66.com>

<http://usermanuals.us>

<http://www.somanuals.com>

<http://www.4manuals.cc>

<http://www.manual-lib.com>

<http://www.404manual.com>

<http://www.luxmanual.com>

<http://aubethermostatmanual.com>

Golf course search by state

<http://golfingnear.com>

Email search by domain

<http://emailbydomain.com>

Auto manuals search

<http://auto.somanuals.com>

TV manuals search

<http://tv.somanuals.com>