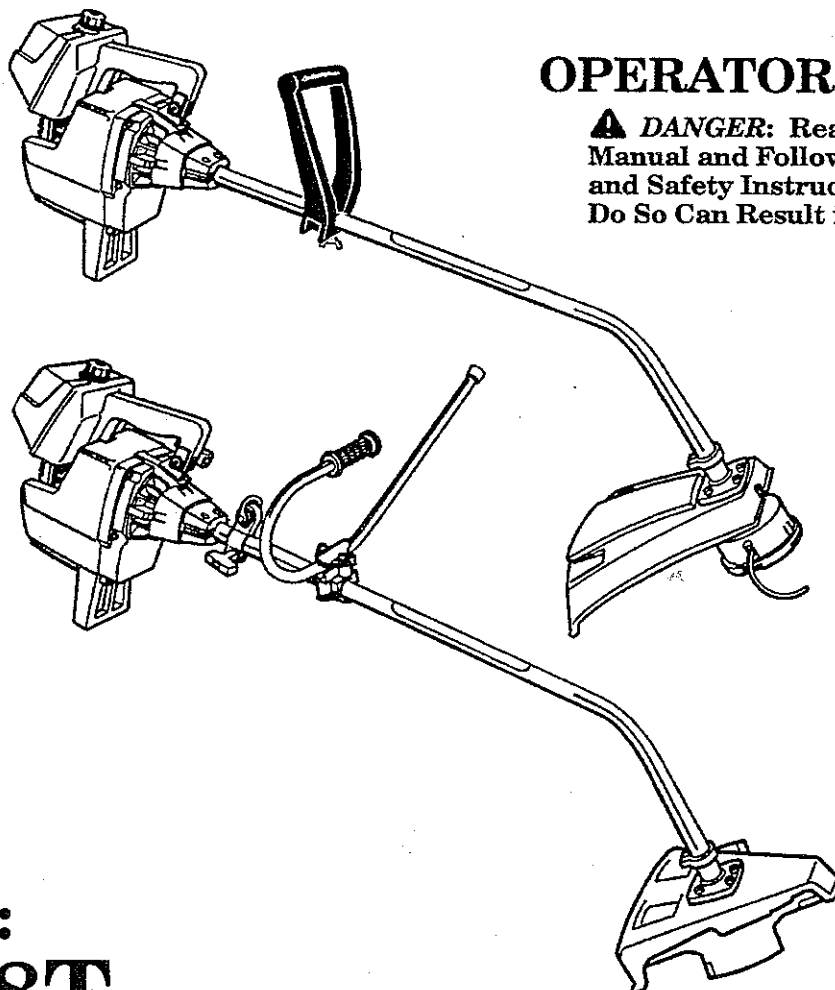


IMPORTANT MANUAL Do Not Throw Away

WEED EATER

TRADEMARK ©



OPERATOR'S MANUAL

▲ DANGER: Read the Operator's Manual and Follow All Warnings and Safety Instructions. Failure To Do So Can Result in Serious Injury.

MODELS:

GTI™ 18T

GAS POWERED LINE TRIMMER

GTI™ 18KT (with Blade)

GAS POWERED BLADE/LINE TRIMMER

**CUSTOMER
ASSISTANCE**

1-800-554-6723

SEE BACK COVER FOR DETAILS!

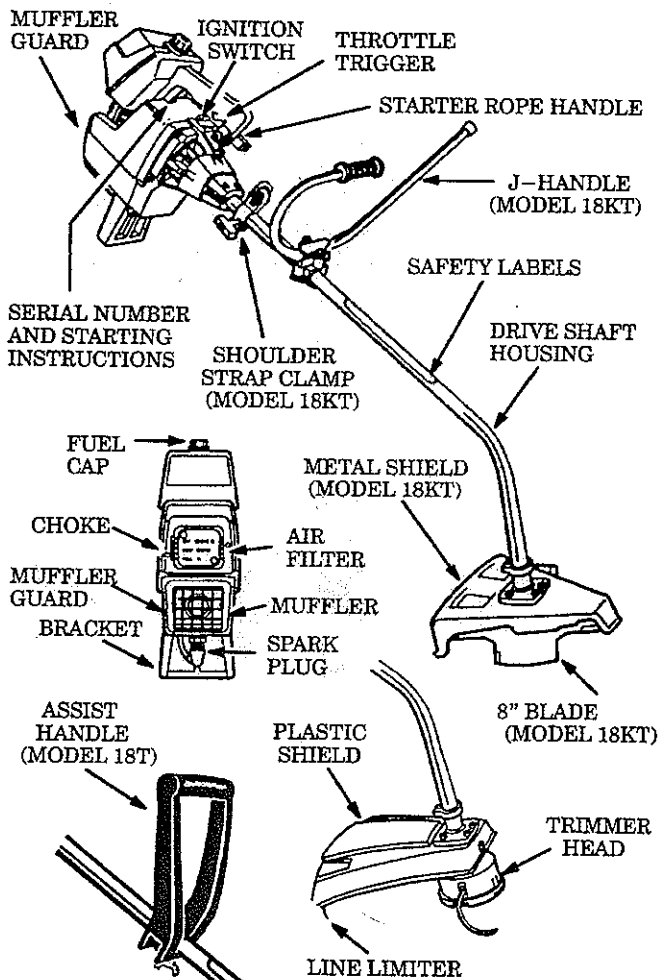
Always Wear Eye Protection

TABLE OF CONTENTS

WARNINGS AND SAFETY INSTRUCTIONS ..	3	STARTING YOUR ENGINE	12
KNOW YOUR UNIT	5	USING YOUR TOOL AS A LINE TRIMMER ..	13
ACCESSORIES	5	USING YOUR TOOL AS A WEEDCUTTER ...	18
ASSEMBLY	7	GENERAL MAINTENANCE	21
OPERATION - Fueling Your Engine	11		

SPECIFICATIONS

ENGINE TYPE:	2-Cycle, Air Cooled
DISPLACEMENT:	30cc
ENGINE RPM:	Operating--7500 Idle--2600-3400
IGNITION:	Solid State
IGNITION TIMING:	Spark Advance - Nonadjustable
CARBURETOR:	Diaphragm All Position With Adjustable Fuel Mixture Jets
ENGINE "OFF":	Positive Switch
STARTER:	Auto Rewind
MUFFLER:	Temperature Limiting (not spark arresting)
CUTTING PATH:	18"
FUEL TANK:	500cc
SPARK PLUG:	Champion (CJ-14)
SPARK PLUG GAP:	.025"
MODULE AIR GAP:	.010" to .014"
LUBRICATION:	Gasoline/Oil Mixture - 40:1 (see "Fueling Your Engine")
CUTTING LINE:	.080" Diameter WEED LINE®
BLADE (Model 18KT - Optional for Model 18T)	4 point 8" Blade



MANUFACTURED UNDER ONE OR MORE OF THE FOLLOWING U.S. PATENTS:
4,035,912; 4,052,789; 4,161,820; 4,167,812; 4, 183,138; 4,189,833; 4,211,004; 4,286,675;
4,362,074; 4,461,983; 4,798,185; 4,823,465; 4,841,828; 4,940,028; & D324,051. OTHER U.S.
AND FOREIGN PATENTS PENDING.


SPECIAL NOTICE

For users on U.S. Forest Land in the states of California, Maine, Oregon, and Washington. All U.S. Forest Land and the states of California(Public Resources Codes 4442 and 4443), Oregon, and Washington require, by law, that certain internal combustion engines operated on forest, brush, and/or grass-covered areas be equipped with a spark arrester, maintained in effective working order, or the engine be constructed, equipped, and maintained for the prevention of fire. Check with your state or local authorities for regulations pertaining to these requirements. Failure to follow these requirements is a violation of the law. **This unit is not factory-equipped with a spark arrester;** however, a spark arrester is available as an optional part. If this item is required in your area, order Part Number 952-701612 from the nearest Authorized Service Dealer.

▲ WARNINGS AND SAFETY INSTRUCTIONS

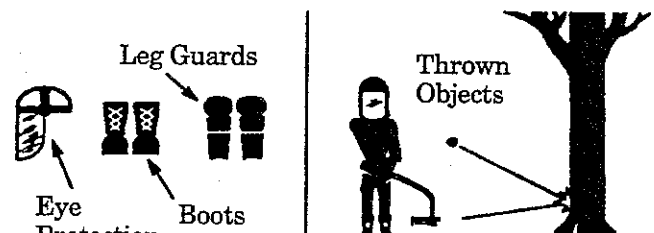
(See Additional Safety Instructions throughout this Manual)

▲ DANGER – THIS POWER TOOL CAN BE DANGEROUS! This unit can cause serious injury including amputation or blindness to the operator and others. The warnings and safety instructions in this manual must be followed to provide reasonable safety and efficiency in using the unit. The operator is responsible for following the warnings and instructions in this manual and on the unit. Read the entire Operator's Manual before assembling and using the unit! Restrict the use of this unit to persons who read, understand, and follow the warnings and instructions in this manual and on the unit.



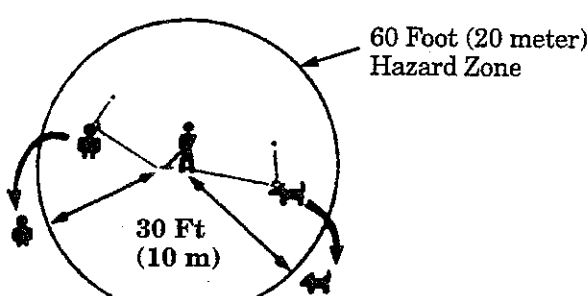
▲ DANGER
BLADE CAN THRUST VIOLENTLY AWAY FROM MATERIAL IT DOES NOT CUT.

- BLADE THRUST CAN CAUSE AMPUTATION OF ARMS OR LEGS.
- KEEP PEOPLE AND ANIMALS 30 FEET (10 METERS) AWAY.



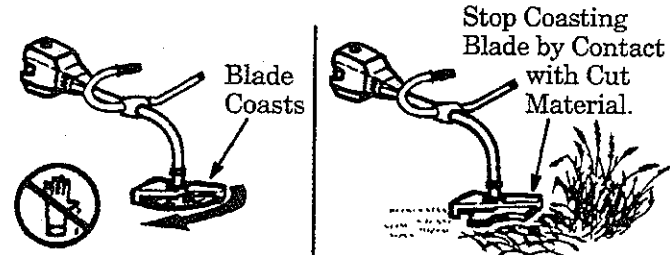
▲ WARNING
TRIMMER LINE CAN THROW OBJECTS VIOLENTLY.

- YOU CAN BE BLINDED OR INJURED.
- WEAR EYE AND LEG PROTECTION.



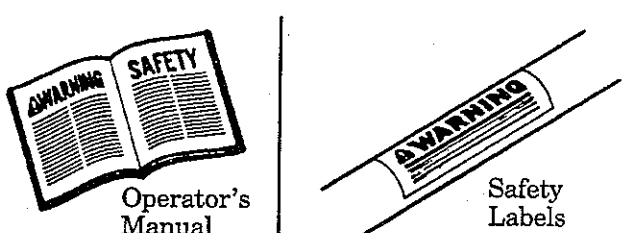
▲ WARNING
HAZARD ZONE FOR THROWN OBJECTS.

- BLADE/TRIMMER LINE CAN THROW OBJECTS VIOLENTLY.
- OTHERS CAN BE BLINDED OR INJURED.
- KEEP PEOPLE AND ANIMALS 30 FEET (10 METERS) AWAY.



▲ WARNING
BLADE COASTS AFTER THE THROTTLE IS RELEASED.

- THE BLADE CAN SERIOUSLY CUT YOU OR OTHERS.
- STOP THE BLADE WITH CUT MATERIAL.



▲ WARNING
READ OPERATOR'S MANUAL.

- FOLLOW ALL WARNINGS AND INSTRUCTIONS.
- FAILURE TO DO SO CAN RESULT IN SERIOUS INJURY.

WARNINGS AND SAFETY INSTRUCTIONS...(Continued)

▲ OPERATOR SAFETY

- Always wear safety eye protection.
- Always wear heavy, long pants, long sleeves, boots, and gloves. Wearing safety leg guards is recommended. Do not go barefoot or wear sandals, jewelry, short pants, short sleeves, loose clothing, or clothing with loosely hanging ties, straps, tassels, etc.; they can be caught in moving parts. Being fully covered will help protect you from pieces of toxic plants such as poison ivy thrown by blade or trimmer head which could be more of a hazard than touching the plant itself.
- Secure hair so it is above shoulder length.
- Do not operate unit when you are tired, ill, or under the influence of alcohol, drugs, or medication.
- Wear hearing protection if you use the unit for more than 1-1/2 hours per day.
- Never start or run the engine inside a closed room or building. Breathing exhaust fumes can kill.
- Keep handles free of oil and fuel.
- Always use the handlebar and a properly adjusted shoulder strap with a blade. See "Assembly."

▲ UNIT/MAINTENANCE SAFETY

- Look for and replace damaged or loose parts before each use. Look for and repair fuel leaks before use. Keep the unit in good working condition.
- Throw away blades that are bent, warped, cracked, broken, or damaged in any other way. Replace trimmer head parts that are cracked, chipped, broken, or damaged in any other way before using the unit.
- Maintain the unit according to recommended procedures. Keep the blade sharp. Keep the cutting line at the proper length.
- Use only .080" diameter WEED EATER® brand line. Never use wire, rope, string, etc.
- Install the required shield properly before using the unit. Use the metal shield for all weed blade use. Use the plastic shield for all line trimmer use.
- Use only specified blade or trimmer head; make sure it is properly installed and securely fastened.
- Never start engine with clutch shroud removed. The clutch can fly off and cause serious injury.
- Be sure blade or trimmer head stops turning when engine idles.
- Disconnect the spark plug before performing maintenance (except carburetor adjustments).
- Make carburetor adjustments with the lower end supported to prevent the blade or trimmer line from contacting any object. Hold the unit by hand; do not use the shoulder strap for support.
- Keep others away when making carburetor adjustments.
- Use only genuine WEED EATER accessories as recommended for this unit.

*If situations occur which are not covered in this manual, use care and good judgment.
If you need assistance, contact your Authorized Service Dealer or the
CUSTOMER ASSISTANCE HOTLINE at 1-800-554-6723.*

- Have all maintenance and service not explained in this manual performed by an Authorized Service Dealer.

▲ FUEL SAFETY

- Mix and pour fuel outdoors.
- Keep away from sparks or flames.
- Use a container approved for fuel.
- Do not smoke or allow smoking near fuel or the unit or while using the unit.
- Wipe up all fuel spills before starting engine.
- Move at least 10 feet (3 meters) away from fueling site before starting engine.
- Stop engine and allow unit to cool before removing fuel cap.
- Empty the fuel tank before storing the unit. Use up fuel left in the carburetor by starting the engine and letting it run until it stops.
- Store unit and fuel in an area where fuel vapors cannot reach sparks or open flames from water heaters, electric motors or switches, furnaces, etc.

▲ CUTTING SAFETY

- Inspect the area to be cut before each use. Remove objects (rocks, broken glass, nails, wire, string, etc.) which can be thrown or become entangled in the blade or trimmer head.
- Keep others including children, animals, bystanders, and helpers outside the 60 foot (20 meter) Hazard Zone. Stop the engine immediately if you are approached.
- Always keep engine on the right-hand side of your body.
- Hold the unit firmly with both hands.
- Keep firm footing and balance. Do not over-reach.
- Keep blade or trimmer head below waist level.
- Do not raise the engine above your waist.
- Keep all parts of your body away from blade, trimmer head, and muffler when engine is running.
- Cut from your right to your left.
- Use only for jobs explained in this manual.

▲ TRANSPORTING AND STORAGE

- Stop the unit before carrying.
- Keep the muffler away from your body.
- Allow engine to cool and secure unit before storing or transporting it in a vehicle.
- Empty the fuel tank before storing or transporting the unit. Use up fuel left in the carburetor by starting the engine and letting it run until it stops.
- Store unit and fuel in an area where fuel vapors cannot reach sparks or open flames from water heaters, electric motors or switches, furnaces, etc.
- Store unit so the blade or line limiter cannot accidentally cause injury. The unit can be hung by the bracket below engine or by tube.
- Store the unit out of reach of children.

SAFETY NOTICE

Exposure to vibrations through prolonged use of gasoline powered hand tools could cause blood vessel or nerve damage in the fingers, hands, and wrists of people prone to circulation disorders or abnormal swellings. Prolonged use in cold weather has been linked to blood vessel damage in otherwise healthy people. If symptoms occur such as numbness, pain, loss of strength, change in skin color or texture, or loss of feeling in the fingers, hands or wrists, discontinue the use of this tool and seek medical attention. An anti-vibration system does not guarantee the avoidance of these problems. Users who operate power tools on a continual and regular basis must monitor closely their physical condition and the condition of this tool.

KNOW YOUR UNIT

INTRODUCTION

Your trimmer is a versatile product developed for large lawns and to make short work of a variety of lawn care tasks including trimming, scalping, mowing, and sweeping.

SPECIAL FEATURES

Models 18T and 18KT:

- * Comfortouch® Anti-vibration System
- * All-Position Carburetor
- * Adjustable Assist Handle (Model 18T ONLY)
- * TAP-N-GO® Cutting Head
- * 18" Cutting Path

Additional Features for Model 18KT:

- 8 Inch, 4 Point Blade
- Shoulder Strap w/Warning Decal
- Barrier Handlebar

UNPACKING INSTRUCTIONS

1. After removing the contents from the carton, check the parts against the adjacent list.
2. Examine the parts for damage. Do not use damaged parts.
3. Notify your WEED EATER dealer immediately if a part is missing or damaged.

NOTE: Your unit has been shipped with a plastic shipping guard over the primer bulb (see "Specifications" for location). Remove and discard the plastic shipping guard.

NOTE: It is normal to hear the fuel filter rattle in an empty fuel tank.

ACCESSORIES

	STOCK NO.
SHOULDER STRAP KIT (Model 18T)	952-701645
SHOULDER STRAP KIT (Model 18T)	952-701600
SHOULDER STRAP KIT (Model 18T)	952-701656
SHOULDER STRAP KIT (Model 18T)	952-701566
SHOULDER STRAP KIT (Model 18KT)	952-701546
WEED EATER® 40:1 2-CYCLE ENGINE OIL	
1 qt.	952-030133
1 qt.	952-030128
1 qt.	952-040952
1 qt.	952-701583
TAP-N-GO® TRIMMER HEAD	952-701574
CUTTING LINE	952-701523
10 FT. (.080 Dia.) Cutting Line	952-701534
10 FT. (.080 Dia.) Cutting Line	952-701595
10 FT. (.080 Dia.) Cutting Line	952-701590
10 FT. (.080 Dia.) Cutting Line	952-701570
10 FT. (.080 Dia.) Cutting Line	952-701614
10 FT. (.080 Dia.) Cutting Line	530-030077

NOTES

CARTON CONTENTS

DESCRIPTION	MODEL		MODEL	
	18T (QTY)	18KT (QTY)	18T (QTY)	18KT (QTY)
• Engine	1	1		
• Drive Shaft/Bearing Housing Assembly w/Safety Label	1	1		
* • Handlebar	-	1		
• Plastic Shield - Trimmer Head	1	1		
• Trimmer Head	1	1		
* • Metal Shield - Blade	-	1		
* • Weed Blade - 8 inch, 4 point	-	1		
• Shoulder Strap w/Warning Assist Handle	1	-		
• Operator's Manual	1	1		
• Loose Parts Bag	1	1		
LOOSE PARTS BAG CONTENTS:				
• Mounting Block - Handlebar	-	1		
• Shoulder Strap Clamp	-	1		
• T-Handle - Shoulder Strap Clamp	-	1		
• Hex Wrench - 5/32"	1	1		
• Hex Wrench - 3/16"	1	1		
A. Hex Socket Screw - Engine	2	2		
B. Screw - Plastic Shield	4	4		
C. Lock Nut - Engine	2	2		
D. Bracket - Assist Handle	1	-		
E. Grass Washer - Trimmer Head	1	1		
F. Flat Washer - Assist Handle	1	-		
G. Wing Nut - Assist Handle	1	-		
H. Screw - Assist Handle	1	-		
I. Hex Nut - T-Handle	-	1		
J. Flange Hex Nut - Blade	-	1		
K. Square Head Screw - T-Handle	-	1		
L. Bolt - Metal Shield/Handlebar	-	8		
* M. Flat Washer - Blade	-	1		
* N. Cupped Washer - Blade	-	1		
* O. Mounting Block Cover - Handlebar	-	2		
* P. Retention Plate - Metal Shield	-	1		

⚠ WARNING
Parts marked with * are critical and must be supplied by WEED EATER. Failure to use the proper parts can cause the blade to fly off and seriously injure the operator or others.

HARDWARE CHART

(HARDWARE SHOWN ACTUAL SIZE)

Refer to the Hardware reference letters below during assembly.

NOTE: This Hardware is packaged in the Plastic Bag.

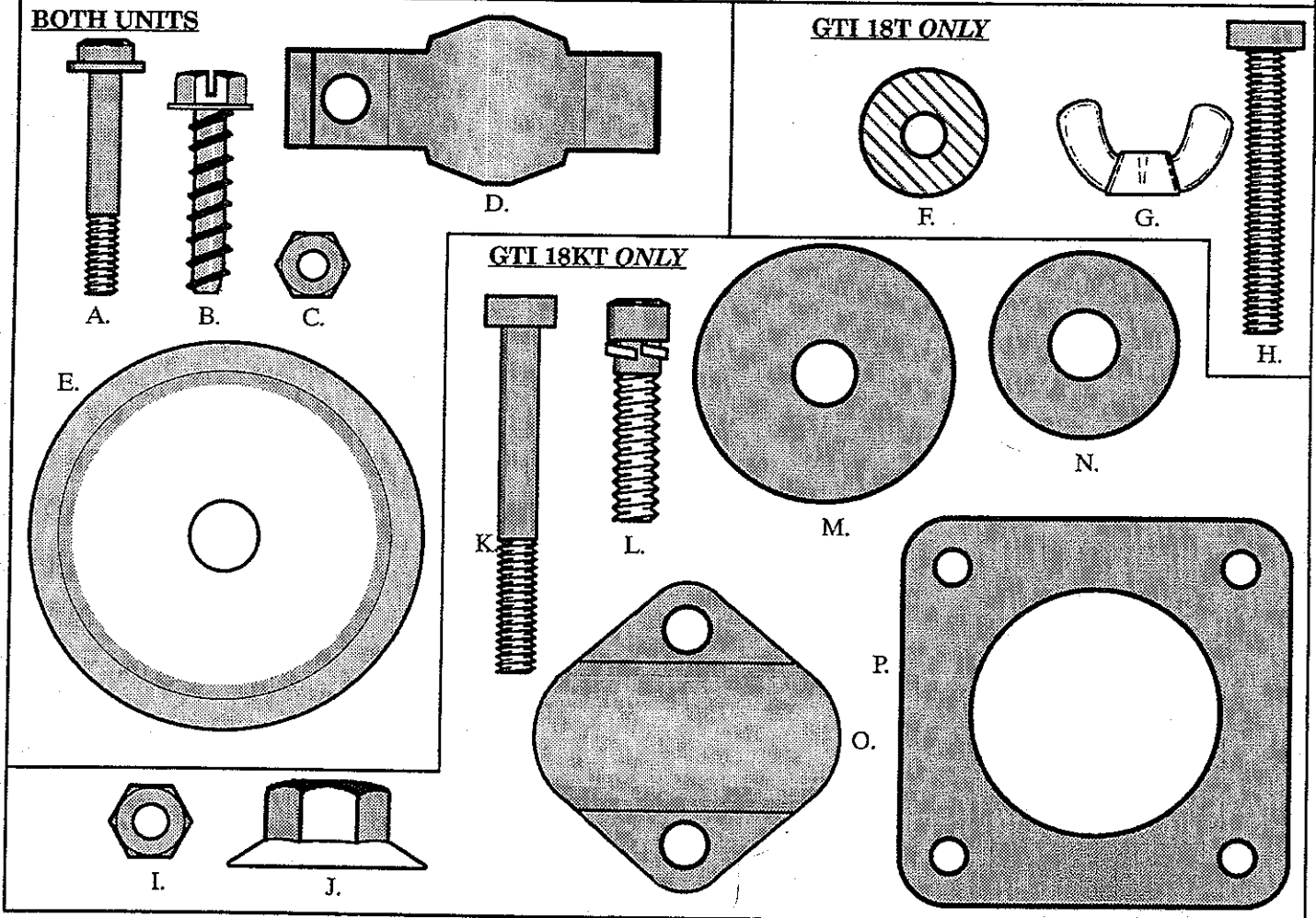


Figure 1

ASSEMBLY

(If tool is received assembled, repeat all steps in this section to be sure assembly is correct and is adjusted for the operator.)

A. PREPARATION

This Operator's Manual has been developed to help you assemble the tool and to provide its safe operation. It is important that you read the entire manual to become familiar with the tool *before* you begin assembly. If you have any questions or need further assistance, call our CUSTOMER ASSISTANCE HOTLINE at 1-800-554-6723.

1. Read your Operator's Manual

2. Tools you will need:

- Hex Wrench(s) provided with tool
- Adjustable Wrench
- Standard Screwdriver

B. ASSEMBLY STEPS

1. TUBE (Figure 2)

- Place the two screws "A." into the holes on the engine as shown in Figure 2.
- Position locknuts "C." in the lower holes.
- Tighten the screws with the hex wrench (provided) just enough to hold the hardware together while holding the locknuts with your other hand.
- Remove the packing cover from the straight end of the tube if so equipped. Your unit may not have a packing cover.

NOTE: Make sure the shaft inside the tube does not fall out of the tube. Dirt on the shaft will significantly reduce the life of the unit. If the drive shaft falls out of the housing, clean, re-lubricate, and re-install. See "Drive Shaft Lubrication" in the Maintenance section.

- Align the bottom groove on the tube with the ridge on the lower wall of the engine opening.
- Turn the shaft to align the square end of the shaft with the square hole inside the front opening of the engine.
- Firmly push the tube into the engine opening until the top groove is no longer visible.
- Tighten screws "A." alternately with the hex wrench until secure.

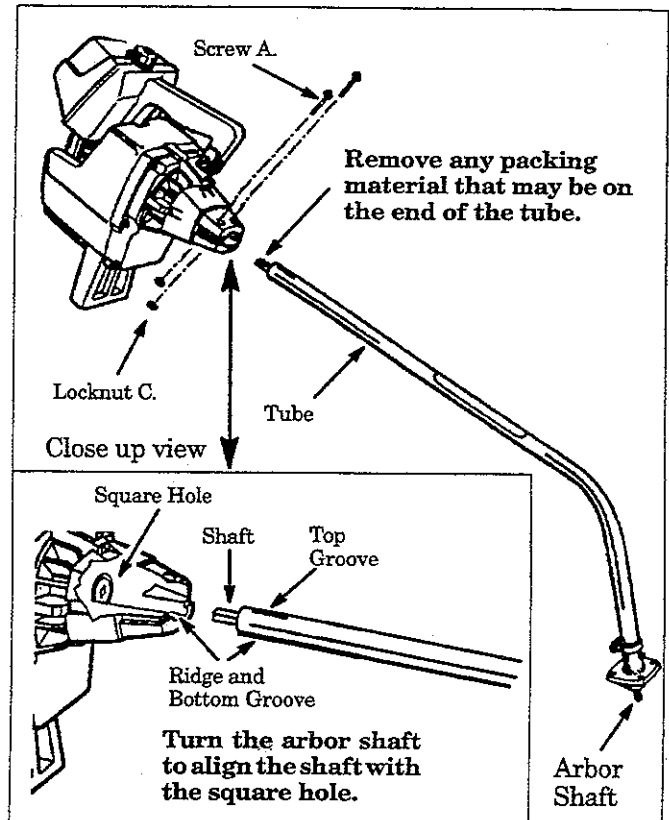


Figure 2

2. ASSIST HANDLE

- Insert the end of the tube through the assist handle.
- Align the assist handle between the safety label and the engine. Figure 3. Seat the tube in the groove in the assist handle. Figure 3.
- Insert the tab on assist handle bracket "D." into the slot on the assist handle. Figure 3. Then, lay the bracket "D." over the tube.
- Insert screw "G." down through the screw hole in bracket "D." and the assist handle. Figure 3.
- Assemble washer "E." and wing nut "F." onto the screw. Figure 3. Tighten securely.

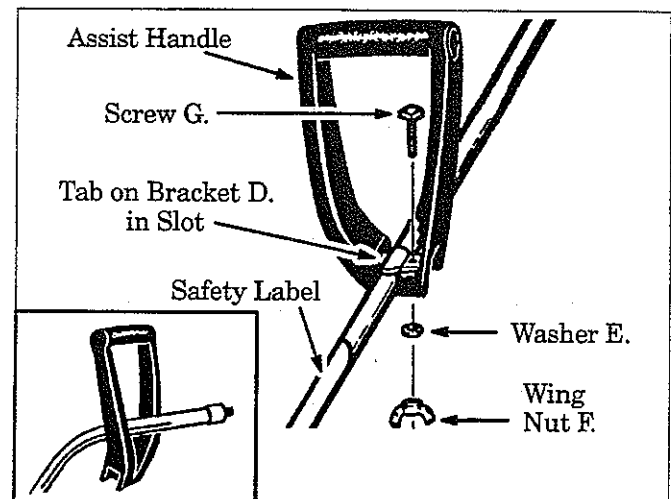


Figure 3

C. PLASTIC SHIELD/TRIMMER HEAD

▲ WARNING

The plastic shield must be properly installed for all line trimmer usage. The plastic shield provides partial protection from the risk of thrown objects to the operator and others and is equipped with a line limiter which cuts excess line to the proper length.

▲ WARNING

Failure to install shield in the position shown in Figure 4 can result in serious injury to the operator. The length of the shield must be aligned with the length of the tube.

NOTE: Remove metal shield and blade (if installed) before installing plastic shield and trimmer head.

1. Place the shield under the bearing housing and align screw holes. Figure 4.

CAUTION: The line limiter (on the underside of the shield) is sharp and can cut you.

2. Insert four plastic shield screws "B." (one at a time) through bearing housing into the shield.
3. Tighten the screws evenly and securely.
4. Remove the packing cover from the arbor shaft if so equipped.
5. Install the grass washer over the arbor shaft. Make sure the grass washer is against and curved over the dust cup. Figure 4.
6. Start threading the trimmer head onto the arbor shaft as shown in Figure 4.
7. Align the hole in the dust cup with the hole in the center front of the bearing housing by turning the dust cup.
8. Insert the small hex wrench (provided) into the aligned holes to keep the arbor shaft from turning. Figure 4 (inset).

9. Tighten the trimmer head against the washer and dust cup while holding the hex wrench.

10. Remove the hex wrench.

NOTE: To remove the trimmer head, insert the hex wrench into the aligned holes in the dust cup and bearing housing. Unthread the trimmer head. Be sure to store the grass washer, plastic shield, 4 shield screws, and hardware with the trimmer head for future use.

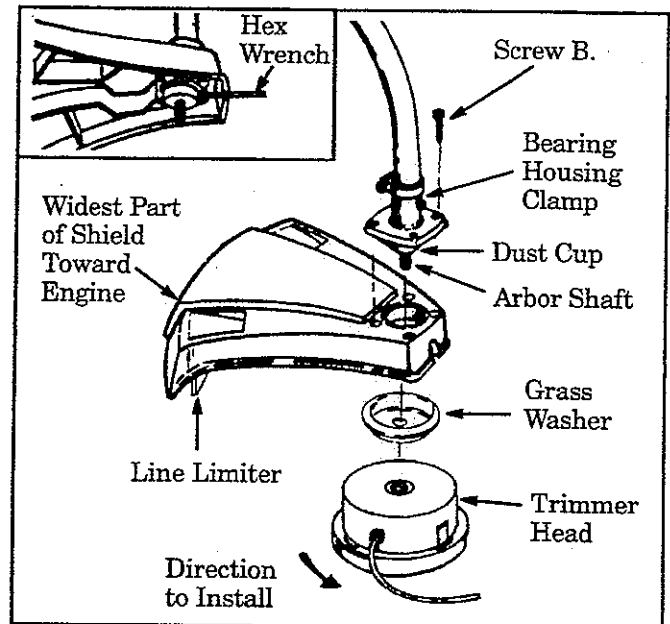


Figure 4

D. HANDLEBAR - Model GTI 18KT (not included with Model GTI 18T).

▲ WARNING

The handlebar mounting block must be placed above the point of the arrow on the safety labels. The handlebar is a barrier to keep the blade away from the operator's feet.

1. Position the mounting block on the tube above the arrow on the safety label. Figure 5.
2. Place one cover "O." under the tube. Figure 5. Attach the cover to the mounting block with 2 screws "K."; finger tighten only.
3. Align the handlebar with the straight barrier portion to the left and the curved portion to the right as shown in Figure 5.
4. Position the short, straight section of the handlebar in the mounting block.
5. Place the other cover "O." on top of the tube. Figure 5. Attach the cover to the mounting block with 2 screws "K."; finger tighten only.
6. Position the handlebar for height.
7. Be sure the handlebar is installed correctly, then tighten each screw securely.

▲ WARNING

The barrier portion of the handlebar must be installed as shown in Figure 5 to provide a barrier between the operator and the spinning blade.

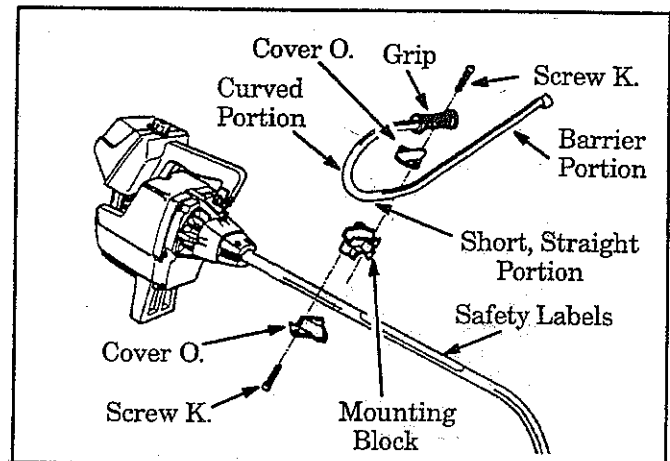


Figure 5

E. BLADE – Model GTI 18KT (not included with Model GTI 18T)

▲ WARNING

The metal shield and metal handlebar must be properly installed on the tool anytime the tool is used with the blade. The forward tip on the metal shield helps to reduce the occurrence of blade thrust which can cause serious injury such as amputation to operator or bystanders.

▲ WARNING

Failure to install the shield in the position shown in Figures 6 and 9 can result in serious injury to the operator. The length of the shield must be aligned with the length of the tube.

NOTE: If your unit is equipped as a line trimmer, remove the plastic shield, grass washer, and trimmer head before installing the metal shield and blade. Be sure to store parts for future use.

1. Position retention plate "P" on the underside of the metal shield and align screw holes. Make sure the flat side of the plate is against shield.
2. Hold retention plate "P" in position and place the metal shield under the bearing housing. Align screw holes. Figure 6.
3. Insert the four metal shield screws "L." (one at a time) through the bearing housing, shield, and retention plate "P". Figure 6.

▲ WARNING

Parts noted with * are critical and must be supplied by WEED EATER. Failure to use proper parts can cause the blade to fly off and seriously hurt you or others.

4. Tighten the screws evenly and securely with a hex wrench.
5. Remove the packing cover from the arbor shaft if so equipped.
6. Install blade over arbor shaft, making sure the hole in the center of blade is fitted around the raised center step on the dust cup. Figure 6.
7. Install the large flat washer "M.", cupped washer "N.", and hex flange nut "J." as shown in Figure 6. Be sure cupped washer "N." is installed as shown in Figure 6 (inset).
8. Align the hole in the dust cup with the hole in the side of the bearing housing by turning the dust cup. Figure 6.

9. Insert the large hex wrench (provided) into the aligned holes to keep the arbor shaft from turning. Figure 7.
10. Tighten the hex flange nut firmly with a wrench while holding hex wrench in position.
11. Remove the hex wrench.
12. Turn blade by hand. If blade binds against shield, blade is not centered. Reinstall blade.

NOTE: To remove the Blade, insert the large hex wrench into aligned holes. Un-thread the Hex Flange Nut and remove parts. Be sure to store the Retention Plate, hex Flange Nut, Cupped Washer, Flat Washer, 4 Shield Screws, and Metal Shield with the Blade for future use.

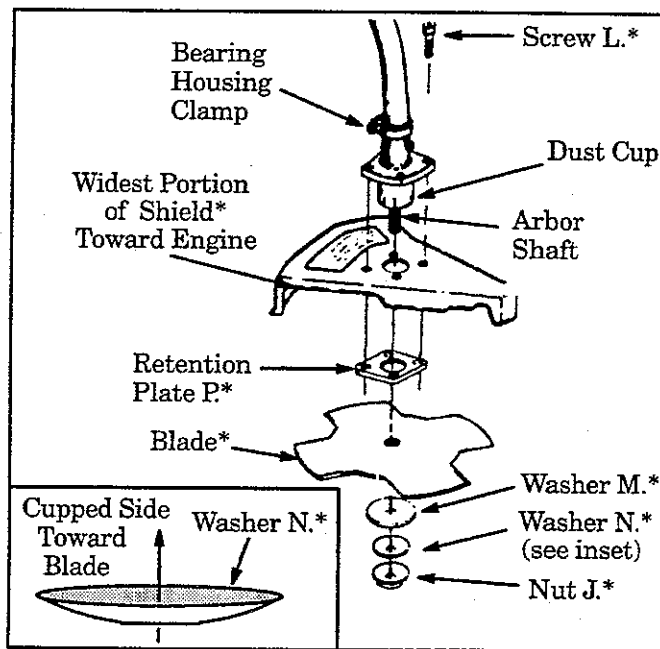


Figure 6

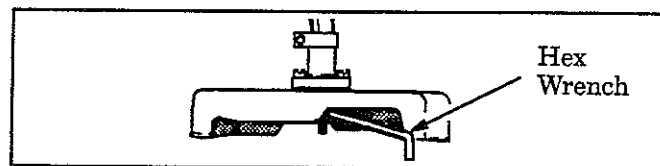


Figure 7

F. SHOULDER STRAP CLAMP – Model GTI 18KT (not included with Model GTI 18T)

1. Align shoulder strap clamp between handlebar mounting block and engine. Figure 8.
2. Firmly push the shoulder strap clamp onto the tube. Figure 8. Be sure that the shoulder strap clamp is installed with the hex shaped recession (on the clamp) facing the same side of the tube as the barrier portion of handlebar.
3. Insert threaded end of screw "K." through the opening in the top of the T-handle. Figure 8.
4. Pull on the threaded end of screw "K." to bring the square head of the screw past the pin inside the T-handle.
5. Seat nut "I." in the hex-shaped recession on the back side of the shoulder strap clamp.
6. Insert the threaded end of the T-handle screw through the hole in the shoulder strap clamp and tighten firmly by hand only.

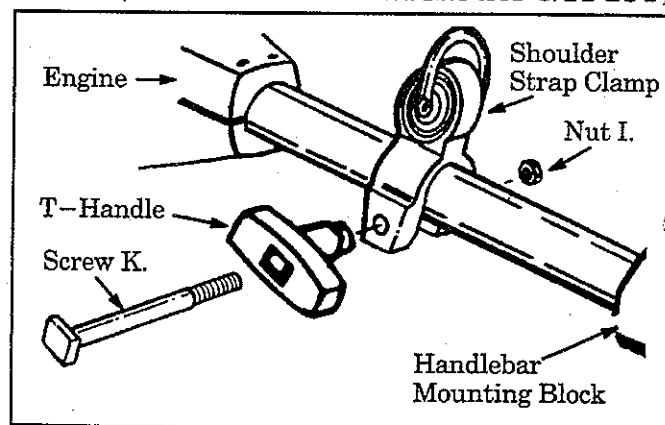


Figure 8

G. SHOULDER STRAP – Model GTI 18KT (not included with Model GTI 18T)

▲ WARNING

Proper shoulder strap and handlebar adjustments before starting the engine are required for safe and efficient use.

1. Try on shoulder strap and adjust for fit and balance before starting the engine and beginning a cutting operation.
 - a. Place shoulder strap on your left shoulder with the danger sign on your back and hook to the right side of your waist. Figure 9.

NOTE: A one-half twist is built in the shoulder strap to allow the strap to rest flat on the shoulder.

To make sure the strap rests flat on your body, place the double portion across your front and the single portion across your back.

- b. Adjust the strap so that the hook will be about 10 inches below the waist when the hook is attached to the shoulder strap.
2. Fasten the shoulder strap hook to the clamp and lift the tool to the operating position. Figure 9.
 3. Check for the following:
 - a. Left arm extended, hand holding handlebar grip. Figure 9.
 - b. Right hand holding top handle, fingers on throttle trigger. Figure 9.
 - c. Engine below waist level. Figure 9.
 - d. Shoulder strap pad centered on left shoulder.
 - e. Danger sign centered on your back.
 - f. Full weight of tool on left shoulder.
 - g. Without operator bending over, the blade or trimmer head is near and parallel to the ground and easily contacts material to be cut.

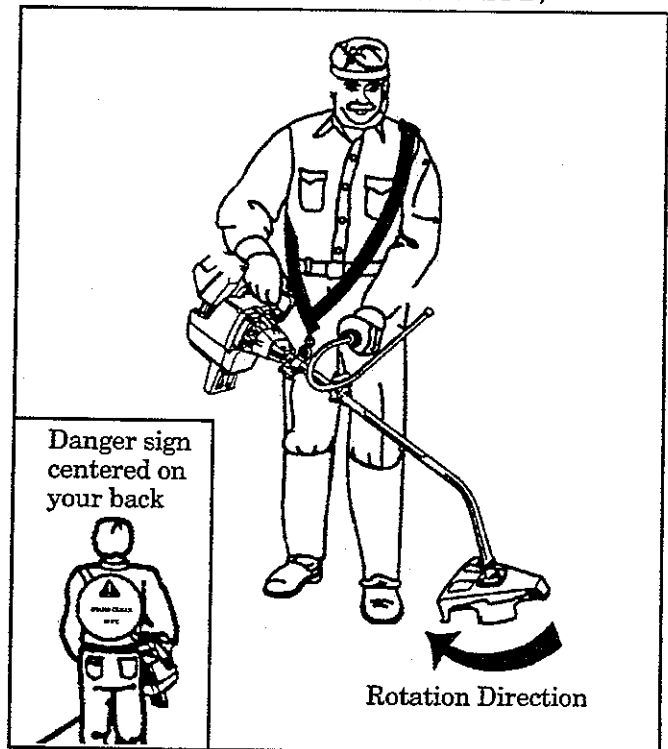


Figure 9

4. Modify initial adjustments as necessary for comfort and control but do not locate handlebar mounting block below the point of the arrow on safety labels. Do not locate shoulder strap clamp in any position other than between the engine and the handlebar mounting block.

PRE-OPERATION CHECKS

▲ WARNING

Review all Warnings and Safety Instructions in this manual.

- Before operating your tool, always:
 1. **Inspect the entire tool before each use.** Replace damaged parts. Check for fuel leaks and make sure all fasteners are in place and securely fastened.
 2. **Throw away blades that are bent, warped, cracked, broken, or damaged in any other way.** Replace trimmer head parts that are cracked, chipped, broken, or damaged in any other way before using the unit.
 3. **Use only WEED EATER .080" diameter brand line.** Never use wire, rope, string, etc.
 4. **Use only with the shield properly attached.**
 5. **Use only the specified blade or trimmer head.** See "Specifications." Make sure the trimmer head is properly installed and securely fastened. Refer to "Assembly."
 6. **Be sure the blade or trimmer head stops turning when the engine idles.** See "Carburetor Adjustments."
 7. **Make carburetor adjustments with the lower end supported** to prevent the blade or trimmer line from contacting any object. Hold the tool by hand; do not use shoulder strap for support.
 - H. 8. **Keep others away** when making carburetor adjustments.
 9. **Use only genuine WEED EATER accessories or attachments** as recommended for this tool.
 10. **Clean air filter if dirty before operating tool.** Refer to "Specifications," for air filter location.

OPERATION -- Fueling Your Engine

BEFORE FUELING ENGINE:

▲ WARNING

Be sure to read the fuel safety section on page 4 of this manual before you begin.

If you do not understand the fuel safety section DO NOT attempt to fuel your unit; seek help from someone that does understand the fuel safety section or call the Customer Assistance Hotline at 1-800-554-6723.

GASOLINE

The two-cycle engine on this product requires a fuel mixture of regular unleaded gasoline and a high quality engine oil for lubrication of the bearings and other moving parts. The correct fuel/oil mixture is 40:1 (see Fuel Mixture Chart). Too little oil or the incorrect oil type will cause poor performance and may cause the engine to overheat and seize.

Gasoline and oil must be premixed in a clean approved fuel container. Always use fresh regular unleaded gasoline.

CAUTION: Experience indicates that alcohol blended fuels called gasohol (or using ethanol or methanol) can attract moisture, which leads to oil/gas separation and formation of acids during storage. Acidic gas can damage the fuel system of an engine while in storage. To avoid engine problems, the fuel system should be emptied before storage for 30 days or longer. Drain the gas tank, then run the fuel out of the carburetor and fuel lines by starting the engine and letting it run until it stops. Use fresh fuel next season. Never use engine or carburetor cleaner products in the fuel tank or permanent damage may occur.

2-CYCLE OIL:

Use WEED EATER 2-cycle engine oil. If none is available, use a good quality 2-cycle, AIR-COOLED engine oil that has a recommended fuel mix of 40:1.

IMPORTANT! Do not use:

- **AUTOMOTIVE OIL**
- **BOAT OILS (NMMA, BIA. etc.)**

These oils do not have proper additives for 2-cycle, AIR-COOLED engines and can cause engine damage.

GASOLINE AND OIL MIXTURE

Mix gasoline and oil as follows:

- Consult chart for correct quantities.
- Do not mix gasoline and oil directly in the fuel tank.

FOR ONE GALLON:

- Pour 3.2 ounces of high quality, 2-cycle engine oil into an empty, approved one gallon gasoline container.
- Add one gallon of regular unleaded gasoline to the gallon container, then securely replace the cap. Shake the container momentarily.
- The mixture is now ready for use. Fuel stabilizer can be added at this time if desired; follow mixing instructions on the label.

FUEL MIXTURE CHART

40:1 Fuel:Oil Mix Ratio

<u>Gasoline</u>	<u>Oil (fl. oz.)</u>
1 gallon	3.2
1.25 gallons	4.0
2.5 gallons	8.0

NOTES

STARTING INSTRUCTIONS

(For location of controls, refer to "Specifications.")

BEFORE STARTING THE ENGINE:

- Fuel engine. Move 10 feet (3 meters) away from fueling site.

▲ WARNING

The blade/trimmer head will turn when the engine starts.

- Rest engine and shield on ground, supporting blade/trimmer head off ground.

NOTE: Remove and discard the plastic shipping guard on the primer bulb (if so equipped).

STARTING A COLD ENGINE OR WARM ENGINE AFTER RUNNING OUT OF FUEL:

- Make sure the switch is in the "On" position.
- Move the choke lever to the "Full Choke" position.
- Slowly press the primer bulb 6 times.
- Squeeze and hold the throttle trigger. *Keep the throttle trigger fully squeezed until the engine runs smoothly.*
- Pull starter rope sharply 5 times.

NOTE: The engine may sound as if it is trying to start before the 5th pull. If so, go to the next step immediately.

- Move the choke lever to the "Half Choke" position.
- Pull the starter rope sharply until the engine runs, but no more than 6 pulls.

NOTE: If the engine has not started after 6 pulls (at half choke), check to make sure the switch and the choke lever are in the proper positions. Then, move the choke lever to the "Full Choke" position and press the primer bulb 6 times; squeeze and hold the throttle trigger and pull the starter rope 2 more times. Move the choke lever to "Half Choke" and pull the starter rope until the engine runs, but no more than 6 more pulls.

NOTE: If the engine still has not started, it is probably flooded. Proceed to "Starting a Flooded Engine."

- Allow the engine to run 15 seconds, then move the choke lever to "Off Choke." Allow the unit to run for 30 more seconds at "Off Choke" before releasing the throttle trigger.

NOTE: If engine dies with the choke lever at the "Off Choke" position, move the choke lever to "Half Choke" and pull the rope until the engine runs.

▲ WARNING

Avoid any bodily contact with the muffler when starting a warm engine. A hot muffler can cause serious burns.

STARTING A WARM ENGINE THAT HAS NOT RUN OUT OF FUEL:

- Make sure the switch is in the "On" position.
- Move the choke lever to the "Half Choke" position.
- Squeeze and hold the throttle trigger. *Keep the throttle trigger fully squeezed until the engine runs smoothly.*
- Pull starter rope sharply until engine runs, but no more than 5 pulls.
- Allow the engine to run 15 seconds, then move the choke lever to "Off Choke."

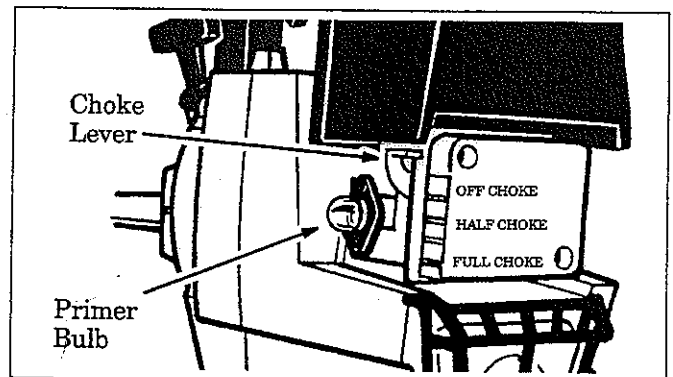
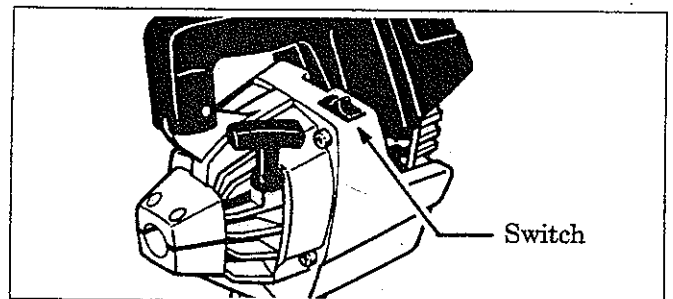
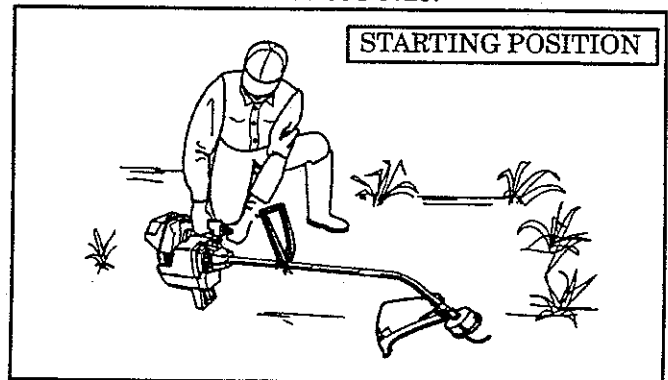
NOTE: If engine has not started, pull starter rope 5 more pulls. If engine still does not run, it is probably flooded. Proceed to "Starting a Flooded Engine."

- To stop the engine, move switch to the "Off" position.

STARTING A FLOODED ENGINE:

Flooded engines can be started by placing the switch in the "On" position and the choke lever in the "Off Choke" position; then, pull the rope to clear the engine of excess fuel. This could require pulling the starter rope *many times* depending on how badly the unit is flooded.

If the unit still doesn't start, call the Customer Assistance Hotline at 1-800-554-6723.



OPERATING INSTRUCTIONS

- When using the blade, bring the engine to full throttle before entering the material to be cut. The blade has maximum cutting power at full throttle and is less likely to bind, stall, or cause blade thrust, which can result in serious injury to the operator or others. Refer to "Guard Against Blade Thrust".
- When using the trimmer head, do not run the engine at a higher speed than necessary. The cutting line will cut efficiently when the engine is run at less than full throttle. At lower speeds, there is less engine noise and vibration. The cutting line will last longer and will be less likely to "weld" onto the spool.
- If the blade or trimmer head does not turn when the engine is accelerated, make sure the tube is properly seated in the engine shroud. Refer to "Assembly-Tube."
- Always release throttle trigger and allow engine to return to idle speed when not cutting.
- The blade or trimmer head should not turn when the engine runs at idle speed. If the blade or trimmer head on your unit turns when the engine is at idle speed, refer to "Trouble Shooting Chart."
- To stop engine:
 - a. Release the throttle trigger.
 - b. Move switch to "STOP".
 - c. Stop the blade by allowing the "9 o'clock" position to contact cut material. Figure 10.

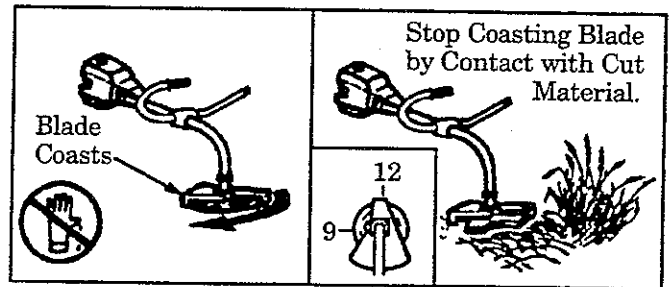


Figure 10

▲ WARNING

The blade continues to spin after the engine is turned off. The coasting blade can throw objects or seriously cut you if accidentally touched. Stop blade by contacting the left-hand side of the coasting blade with material already cut.

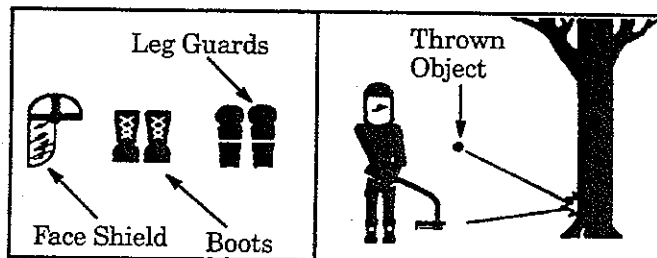
▲ WARNING

Stop engine and blade before removing materials wrapped around blade shaft to avoid injury.

▲ WARNING

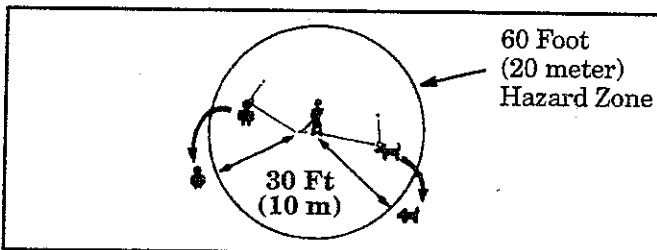
The operator or others must not try to clear away cut material with the engine running or the blade turning to avoid serious injury.

USING YOUR TOOL AS A LINE TRIMMER



▲ WARNING—THROWS OBJECTS

The rapidly moving line causes objects to be thrown violently. The shield will not provide complete protection to the operator or others. The operator must wear a safety face shield or goggles. Always wear heavy, long pants and boots. Keep others at least 30 feet (10 meters) away.

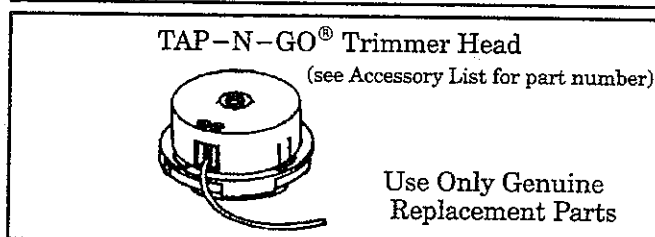


▲ WARNING – HAZARD ZONE

This tool will throw objects and cut. Keep others including children, animals, bystanders and helpers at least 30 feet (10 meters) away from the operator and tool. Stop the engine if you are approached.

▲ WARNING – DAMAGED TRIMMER HEAD

Trimmer head parts that are chipped, cracked or damaged in any other way can fly apart and cause serious injury. Do not use. Replace damaged parts before using the tool.



A. TRIMMER SAFETY

1. OPERATOR

- a. Always wear a eye protection. See "Accessories."
- b. Always wear heavy, long pants, long sleeves, boots, and gloves. See "Accessories." Do not wear loose clothing, jewelry, short pants, short sleeves, sandals or go barefoot. Secure hair so it is above shoulder length.
- c. Do not operate this tool when you are tired, ill, or under the influence of alcohol, drugs or medication.
- d. Do not swing tool with such force that you are in danger of losing your balance.
- e. Never start or run the engine inside a closed room or building. Breathing exhaust fumes can kill.
- f. Keep handles free of oil and fuel.

2. TOOL

- a. **Inspect the entire tool before each use.** Replace damaged parts. Check for fuel leaks and make sure all fasteners are in place and securely fastened.
- b. **Use only WEED EATER .080" diameter line.** Never use wire, rope, string, etc.
- c. **Be sure the plastic shield is properly attached.** The plastic shield *must be* installed for all line trimmer usage.
- d. **Make sure the trimmer head is properly installed and securely fastened.** Refer to "Assembly."
- e. **Be sure trimmer head stops turning when engine idles.** See "Carburetor Adjustments."
- f. **Make carburetor adjustments with the lower end supported to prevent the trimmer line from contacting any object.** Hold tool by hand; do not use the shoulder strap for support.

- g. **Keep others away when making carburetor adjustments.**
- h. **Use only genuine WEED EATER accessories or attachments as recommended.**

3. CUTTING

- a. **Inspect the area to be cut before each use.** Remove objects (rocks, broken glass, nails, wire, string, etc.) which can be thrown or become entangled in the trimmer head.
- b. **Always keep the engine on the right-hand side of your body.**
- c. **Hold the tool firmly with both hands.**
- d. **Keep firm footing and balance.** Do not over-reach.
- e. **Keep the trimmer head below waist level.**
- f. **Do not raise the engine above your waist.**
- g. **Keep all parts of your body away from the trimmer line and muffler when the engine is running.**
- h. **Use only for jobs explained in this manual.**

B. LINE ADVANCE

- **The trimmer line will advance approximately 2 inches each time the bottom of the trimmer head is tapped on the ground with the engine running at full throttle.**
- **The most efficient line length is the maximum length allowed by the line limiter.**
- **Always keep the shield in place when the tool is being operated.** Figure 11 .
- **To Advance Line:**
 1. Operate the engine at full throttle.
 2. Hold the trimmer head parallel to and above the grassy area.
 3. Tap the bottom of the trimmer head lightly on the ground one time. See Figure 11 . Approximately 2 inches of line will be advanced with each tap.

NOTE: Always tap trimmer head on a grassy area. Tapping on surfaces such as concrete or asphalt can cause excessive wear to the trimmer head.

NOTE: If the line is worn down to two inches or less, more than one tap will be required to obtain the most efficient line length.

▲ WARNING
Use only WEED EATER .080" diameter line. Other sizes of line will not advance properly. Do not use other materials such as wire, string, rope, etc. Wire can break off during cutting and become a dangerous missile that can possibly cause serious injury.

▲ WARNING
Use minimum speed and do not crowd the line when cutting around hard objects (rock, gravel, fence posts, etc), which can damage the trimmer head, become entangled in the line, or be thrown causing a serious hazard.

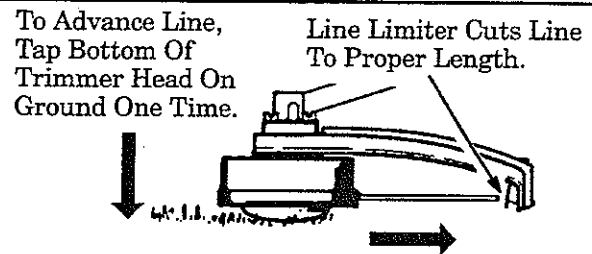


Figure 11

NOTES

C. CUTTING METHODS

- **The tip of the line does the cutting.** You will achieve the best performance and minimum line wear by not crowding line into cutting area. The right and wrong ways are shown in Figure 12.
- **For trimming or scalping, use less than full throttle to increase line life, especially:**
 - during light duty cutting.
 - near objects around which the line can wrap such as small posts, trees or fence wire.
- **The line will easily remove grass and weeds from around walls, fences, trees and flower beds, but it also can cut the tender bark of trees or shrubs and scar fences.** To help avoid damage especially to delicate vegetation or trees with tender bark, shorten line to 4–5 inches and use at less than full throttle.
- **For mowing or sweeping, use full throttle for a good clean job.**

▲ WARNING
Use minimum speed and do not crowd the line when cutting around hard objects (rock, gravel, fence posts, etc), which can damage the trimmer head, become entangled in the line, or be thrown causing a serious hazard.

▲ WARNING
Always wear eye protection. Never lean over the trimmer head. Rocks or debris can ricochet or be thrown into eyes and face and cause blindness or other serious injury.

1. **TRIMMING** – Figure 13. Hold bottom of the trimmer head about 3 inches above ground and at an angle. Allow only the tip of the line to make contact. Do not force trimmer line into work area.
2. **SCALPING** – Figure 14. The scalping technique removes unwanted vegetation. Hold the bottom of the trimmer head about 3 inches above the ground and at an angle. Allow the tip of the line to strike ground around trees, posts, monuments, etc. *This technique increases line wear.*
3. **MOWING** – Figure 15. Your trimmer is ideal for mowing in places conventional lawn mowers cannot reach. In the mowing position, keep the line parallel to the ground. Avoid pressing the head into the ground as this can scalp the ground and damage the tool.
4. **SWEEPING** – Figure 16. The fanning action of the rotating line can be used for a quick and easy clean up. Keep the line parallel to and above surfaces being swept and move tool from side to side.

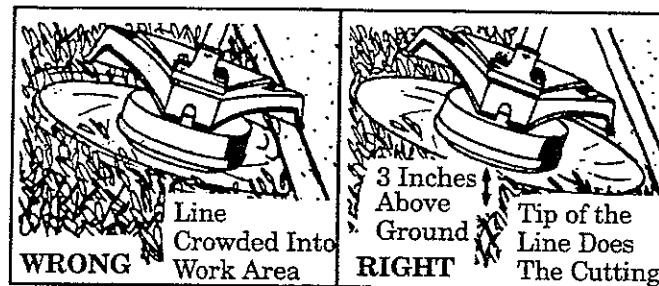


Figure 12

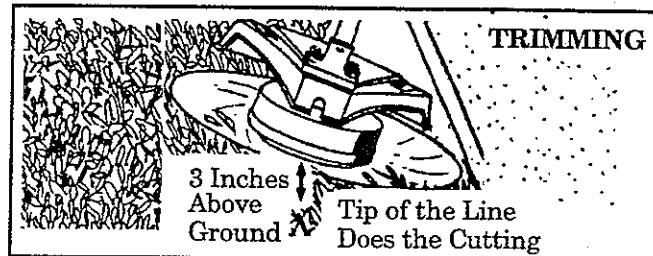


Figure 13

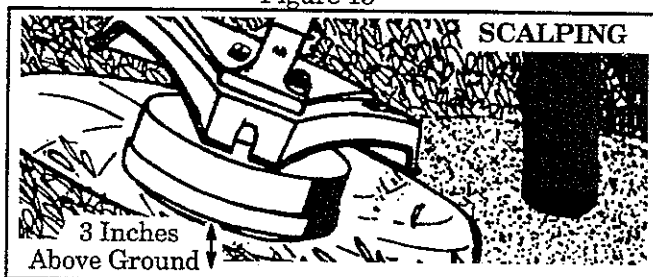


Figure 14

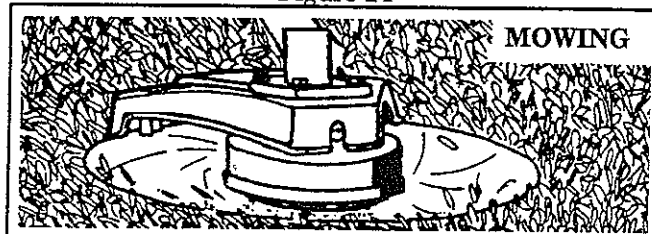


Figure 15

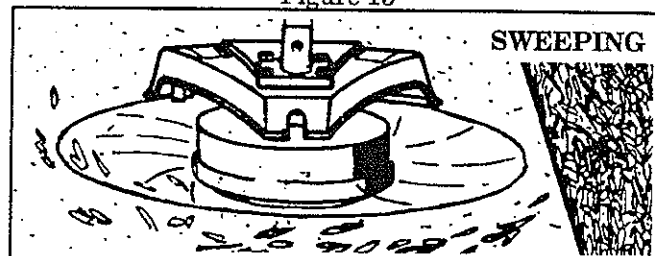


Figure 16

NOTES

D. LINE REPLACEMENT

- For proper line feed:
 - Use only genuine WEED EATER pre-wound spools and .080" diameter WEED EATER brand line. Use of other types of spools or lines can result in excessive breakage, line welding and improper line feed.
 - Pre-wound spools offer the most convenient method for replacing line as well as optimum performance.
 - Always clean dirt and debris from spool and hub when performing any type maintenance.
- ### 1. Installing Spool with Line
- a. Hold the trimmer head as shown in Figure 17. Press the lock tab and turn the lock ring.
 - b. Remove the lock ring, tap button, and spool. Figure 18.
 - c. Clean dirt and debris from all parts.
 - d. Inspect all trimmer head parts for damage. Replace damaged parts.

▲ WARNING
 Trimmer head parts that are chipped, cracked, broken, or damaged in any other way can fly apart and cause serious injury. Do not use. Replace damaged parts before using the tool.

NOTE: The aluminum line saver (Figure 19) can become worn during use. After a groove is worn into the line saver, remove it from the trimmer head, turn it upside down, and reinstall it (with the spool removed) to provide a new wear surface.

▲ WARNING
 The line saver must be installed only from the inside of the trimmer head. If installed on the outside of the trimmer head, the line saver can fly off and become a dangerous missile.

- e. Insert the end of the line through the line saver. Figure 19. Place the spool in trimmer head. Press the spool down, then turn it enough to lock the lugs on the spool under the lugs on the drive gear. Figure 18.

NOTE: Make sure the line is not caught between the rim of spool and the wall of trimmer head.

- f. Replace the tap button. Align the lock ring over the catches on the hub; push the lock ring down on the hub and turn it clockwise until the catches lock into place. Figure 19.

▲ WARNING
 All catches must be fastened and the lock tab latched in the Lock Ring. If installed incorrectly, the Lock Ring can fly off and become a dangerous missile.

- g. Check to make sure the lock ring is properly fastened by trying to turn it counterclockwise and pulling on it. If it comes off, reinstall it properly.
- h. Pull on the line to change the spool from the locked position to the operating position.
- i. Obtain the correct line length (4-6 inches) by pressing the tap button (Figure 20) and pulling on the line again.

NOTE: Each time the tap button is pressed, approximately 2 inches of line can be pulled from the trimmer head. Figure 20.

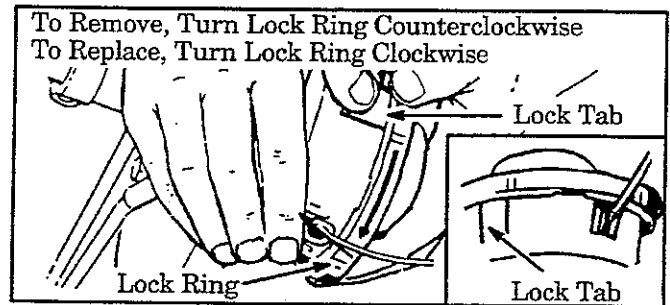


Figure 17

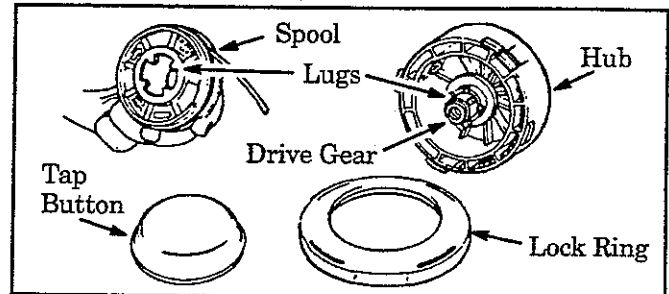


Figure 18

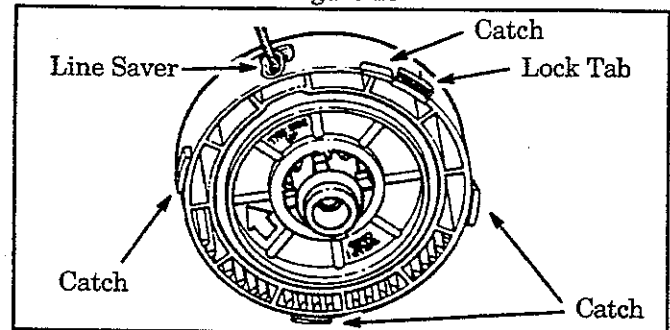


Figure 19

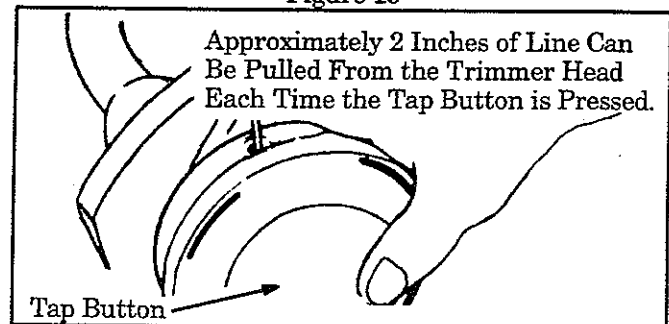


Figure 20

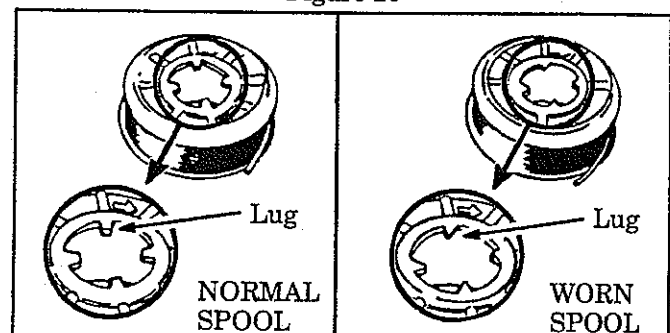


Figure 21

2. Spool Replacement

- a. Replace the spool when the square corners on the lugs are rounded off, reduced in size, or broken off. Figure 21.
- b. To replace the spool, follow the instructions in "Installing Spool with Line."

3. Installing Line on Spool

To replace the Line on existing Spool:

- Follow "Installing Spool w/Line," steps "a.-d." and remove any line remaining on the Spool.
- Use a 40 foot length of WEED EATER .080" diameter line.
- Insert 1/16" to 1/8" of the end of the line through the hole in the spool. Figure 22 . Allow no more than 1/8" line to extend inside the spool.
- Wrap the line onto the spool firmly and evenly in the direction shown by the arrow on the spool. Figure 22 .

NOTE: The line must be wrapped firmly and evenly for proper line feed.

- Follow "Installing Spool with Line," steps "e.-i."

If the line breaks off or backs up in the trimmer head, follow "Installing Spool w/Line," steps "a.-d." Pull slack in line until the line is tightly wound on spool, leaving 4-6 inches of extended line. Continue with steps "e.-i."

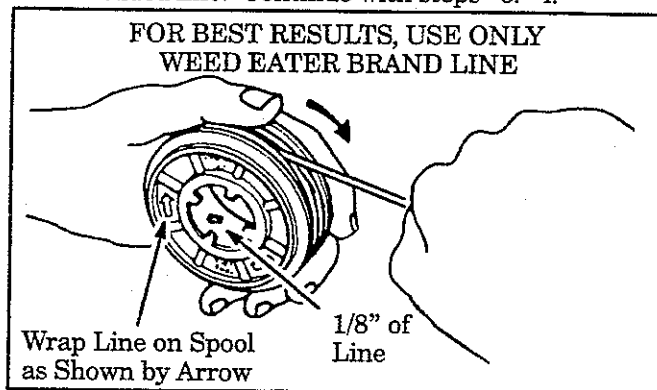


Figure 22

4. Trouble Shooting the Trimmer Head and Line

- **Does not advance or breaks while cutting:**
 - Improperly wound onto spool.
 - Line size incorrect.
 - Too little line outside head.
- **Pulls back into head:**
 - Too little line outside of head.
- **Welds onto spool:**
 - Line size incorrect.
 - Incorrect spool.
 - Crowding line against material being cut.
 - Cutting at higher speeds than necessary.

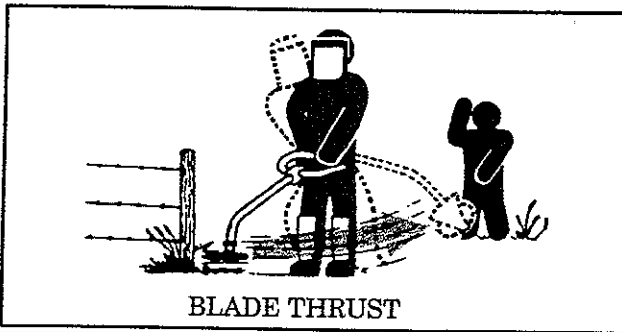
NOTES

USING YOUR TOOL AS A WEEDCUTTER – Model 18KT

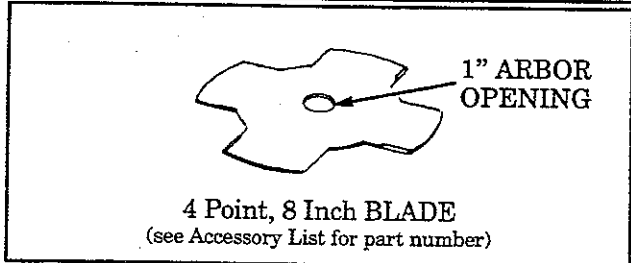
(Optional for Model 18T with installation of the 4 point, 8" Blade Kit #952-701566)
 The 4 point, 8 inch blade is designed to cut grass, weeds, and woody brush up to 1/2 inch diameter.)

▲ DANGER – THIS POWER TOOL CAN BE DANGEROUS!

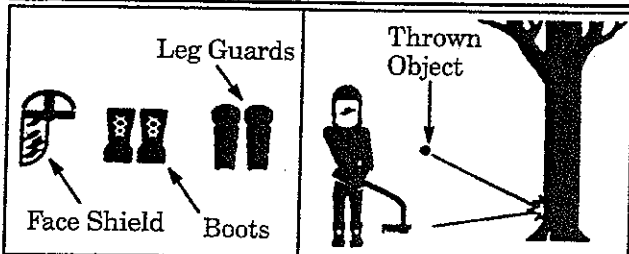
This tool can cause serious injury including amputation or blindness to the operator and others. The warnings and safety instructions in this manual must be followed to provide reasonable safety and efficiency in using this tool. The operator is responsible for following the warnings and instructions in this manual and on the tool. **Read the entire Operator's Manual before using this tool! Restrict the use of this power tool to persons who read, understand and follow the warnings and instructions in this manual and on the tool.**



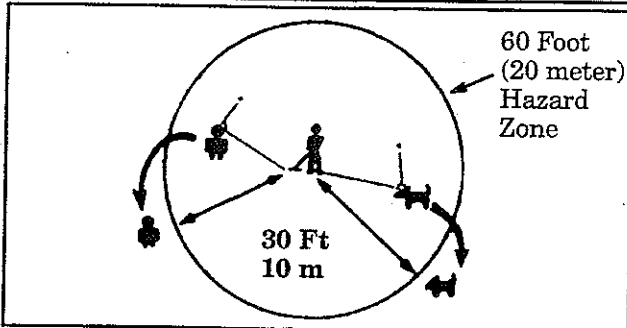
▲ **DANGER – BLADE THRUST** When the spinning blade contacts anything it cannot cut, a dangerous reaction can occur causing the entire tool and operator to be thrust violently in any direction. This reaction is called *Blade Thrust*. As a result, the operator can lose control of the tool. Use **handlebar, shoulder strap, and keep shield in place.** Make sure others are at least 30 feet (10 meters) away. Keep blade sharp. Cut at full throttle and from your right to left. Keep hands, feet and tool in proper position; refer to "Guard Against Blade Thrust."



▲ **DANGER – PROPER BLADE** Use only the 4 point, 8 inch blade and proper hardware as shown. The use of any other parts can result in serious injury. **Do not use any accessory or attachment other than those recommended by the manufacturer for use with this tool.** Blades that are bent, warped, cracked, broken, or damaged can fly apart and cause serious injury. **Do not use. Throw away.**

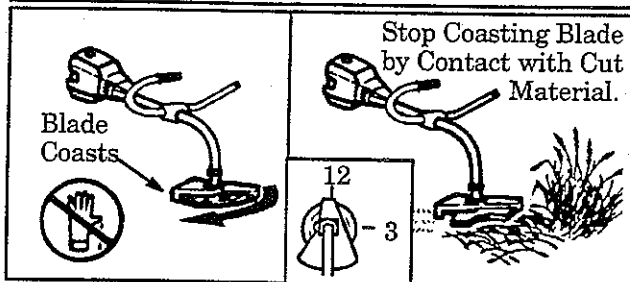


▲ **WARNING – THROWS OBJECTS** The rapidly moving blade causes objects to be thrown violently. The shield will not provide complete protection to the operator or others. The operator must wear a safety face shield or goggles. Always wear safety leg guards and boots. Keep others at least 30 feet away.



▲ **WARNING – HAZARD ZONE** This tool will throw objects and cut. **Keep others including children, animals, bystanders, and helpers at least 30 feet (10 meters) away from the operator and tool. Stop the engine and blade immediately if you are approached.**

NOTE: In areas where other people and animals are present, such as near sidewalks, streets, houses, etc., it is strongly recommended that the operator use the buddy system; that is, have another person serve as a "look out," keeping himself and others at least 30 feet (10 meters) away from the operator.



▲ **WARNING – COASTING BLADE** The blade continues to spin after the engine is stopped or the throttle is released. The coasting blade can thrust, throw objects, or seriously cut you if accidentally touched. **Stop the blade by leaving it in contact with material already cut. Use the "3 o'clock" position as the point of contact.**

BLADE SAFETY

OPERATOR

- Always wear a safety face shield or goggles. See "Accessories."
- Always wear heavy, long pants, long sleeves, boots, gloves, and safety leg guards. See "Accessories." Do not wear loose clothing, jewelry, short pants, short sleeves, sandals or go barefoot. Secure hair so it is above shoulder length.
- Do not operate this tool when you are tired, ill, or under the influence of alcohol, drugs or medication.
- Always use the handlebar and a properly adjusted shoulder strap. See "Assembly."
- Do not swing the tool with such force that you are in danger of losing your balance.
- Never start or run the engine inside a closed room or building. Breathing exhaust fumes can kill.
- Keep handles free of oil and fuel.

TOOL

- Inspect the entire tool before each use. Replace damaged parts. Check for fuel leaks and make sure all fasteners are in place and securely fastened.
- Be sure the metal shield is properly attached. The metal shield *must* be installed for all blade usage.

- c. Make sure the blade is properly installed and securely fastened. Refer to "Assembly."
- d. Be sure the blade stops turning when the engine idles. See "Trouble Shooting Chart."
- e. Make carburetor adjustments with the lower end supported to prevent the blade from contacting any object. Hold tool by hand; do not use the shoulder strap for support.
- f. Keep others away when making carburetor adjustments.

3. CUTTING

- a. Inspect the area to be cut before each use. Remove objects (rocks, broken glass, nails, wire, string, etc.) which can be thrown or become entangled in the blade.
- b. Always keep the engine on the right side of your body. Hold the tool firmly with both hands.
- c. Keep firm footing and balance. Do not over-reach.
- d. Keep blade below waist level.
- e. Do not raise the engine above your waist. The blade can come dangerously close to your body.
- f. Cut at full throttle.
- g. Cut from your right to your left.
- h. Use only for jobs explained in this manual. Do not use the blade as an edger. The shield does not provide adequate protection.

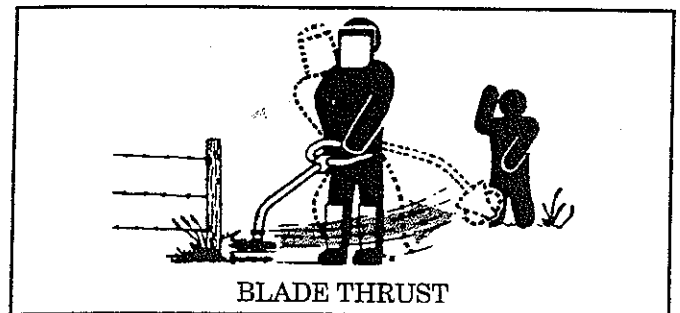
GUARD AGAINST BLADE THRUST

Blade Thrust is a reaction that only occurs when using a bladed tool. This reaction can cause serious injury such as amputation. Carefully study this section. It is important that you understand what causes *blade thrust*, how you can reduce the chance of its occurring, and how you can remain in control of the tool if *blade thrust* occurs.

The forward tip on the shield helps to reduce the occurrence of *blade thrust* but cannot prevent the occurrence. The operator must follow the warnings and safety instructions in this section to reduce the chance of *blade thrust* occurring and to maintain control of the tool if the reaction does occur.

WHAT CAUSES BLADE THRUST *Blade Thrust* can occur when the spinning blade contacts an object that it cannot cut. This contact causes the blade to stop for an instant and then suddenly move or "thrust" away from the object that was hit. The "thrusting" reaction can be violent enough to cause the operator to be propelled in any direction and lose control of the tool. The uncontrolled tool can cause serious injury if the blade contacts the operator or others. Figure 23 .

WHEN BLADE THRUST OCCURS. *Blade Thrust* can occur without warning if the blade stalls, stalls, or binds. This is more likely to occur in areas where it is difficult to see the material being cut. By using the tool properly, the occurrence of *blade thrust* will be reduced and the operator will be less likely to lose control.



BLADE THRUST

Figure 23

3. REDUCE THE CHANCE OF BLADE THRUST

- a. Cut only grass, weeds and woody brush up to 1/2 inch diameter. Do not let the blade contact material it cannot cut such as stumps, rocks, fences, metal, etc., or clusters of hard, woody brush having a diameter greater than 1/2 inch.
- b. Keep the blade sharp. A dull blade is more likely to snag.
- c. Cut only a full throttle. The blade has maximum cutting power at full throttle and is less likely to bind or stall.
- d. "Feed" the blade deliberately and not too rapidly. The blade can thrust away if it is fed too rapidly.
- e. Cut only from your right to your left. Swinging the tool in the same direction as the blade spins increases the cutting action.

4. MAINTAIN CONTROL

- a. Use the shoulder strap and keep a firm grip on the tool with both hands. A properly adjusted shoulder strap will support the weight of the tool, freeing your arms and hands to control and guide the cutting motion.
- b. Keep feet comfortably spread apart and braced for the possibility of a sudden, rapid thrust of the tool. Do not overreach. Keep firm footing and balance.
- c. Keep the blade below waist level. It will be easier to maintain control of the tool.
- d. Do not raise the engine above your waist as the blade can come dangerously close to your body.
- e. Do not swing the tool with such force that you are in danger of losing your balance.

C. CUTTING METHODS

1. Establish a rhythmic cutting procedure.
 - a. Plant feet firmly, comfortably apart.
 - b. Cut while swinging the upper part of your body from right to left.
 - c. Move forward to the next area to be cut after the return swing and plant feet once more.
2. Use the 8 o'clock to 10 o'clock position for cutting. Figure 24.
3. Stop the engine and blade, then unclip the shoulder strap from the tool before clearing cut material.
4. To reduce the chance of material wrapping around the blade, follow these steps:
 - a. Cut at full throttle.
 - b. Swing the tool into material to be cut from your right to your left.
 - c. Avoid the material just cut as you make the return swing.

▲ WARNING
Stop engine and blade before removing materials wrapped around the blade shaft to avoid injury.

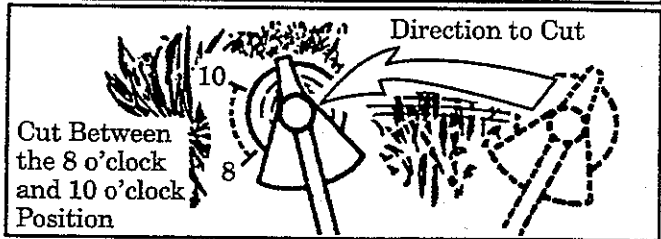


Figure 24

▲ WARNING
The operator or others must not try to clear away cut material with the engine running or the blade turning to avoid serious injury.

GENERAL MAINTENANCE

A. MAINTENANCE SAFETY

1. Maintain unit according to recommended procedures. Keep cutting line at proper length.
2. Never start the engine with the clutch shroud removed. The clutch can fly apart and cause serious injury.
3. Disconnect spark plug before performing maintenance except for carburetor adjustments.
4. Make carburetor adjustments with lower end supported to prevent blade or trimmer line from contacting any object. Hold the tool by hand; do not use the shoulder strap for support.
5. Keep others away when making carburetor adjustments.
6. Be sure blade or trimmer head stops turning when engine idles. See "Carburetor Adjustments."
7. Replace blade or trimmer head parts that are cracked, chipped or damaged before using the tool.
8. Use only .080" diameter WEED EATER brand line. Never use wire, rope, string, etc.
9. Use only genuine WEED EATER replacement parts as recommended.
10. Inspect the entire tool. Replace damaged parts. Check for fuel leaks and make sure all fasteners are in place and securely fastened.

B. AIR FILTER

NOTE: A dirty air filter decreases the life and performance of the engine and may increase fuel consumption and harmful emissions.

1. Clean the Air Filter:

- Always after 5 tanks of fuel or 5 hours of operation, which ever is less.
- More frequently, in dusty conditions.

CAUTION: Do not clean the air filter in gasoline or other flammable solvent to avoid creating a fire hazard.

- a. Loosen the screws on the air filter cover enough to remove the cover from the engine. Figure 25.
- b. Remove air filter from cover. Figure 25.
- c. Wash filter in soap and water.
- d. Squeeze filter dry and replace in cover.
- e. Reinstall air filter cover; make sure choke exit slot is placed over choke lever. Figure 25.

CAUTION: Make sure air filter is fitted into the corners of the cover to keep dust from entering engine and causing engine damage.

NOTE: When replacing the air filter, see the Accessories list for the proper part number.

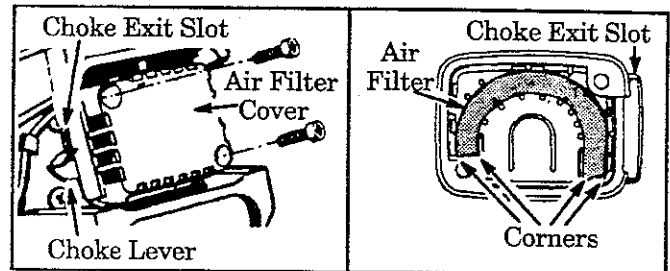


Figure 25

C. FLEXIBLE DRIVE SHAFT LUBRICATION

• Lubricate the Flexible Drive Shaft:

- After each ten (10) hours of operation.
- Before operating if the tool has been stored for 90 days or longer.

NOTE: When ordering flex shaft lube, see the Accessory List for the proper part number.

▲ WARNING

Engine is hot, avoid touching the muffler. A hot muffler can cause serious burns.

CAUTION: Lay the drive shaft on a clean surface. Avoid laying the shaft on the floor, ground or on any other surface that may have dirt or debris. Even after wiping the shaft, grease residue can pick up dirt particles that can cause damage or premature failure.

CAUTION: Take care to avoid injuring your hands and fingers with broken wires when checking for damage or wiping the shaft. A cloth will not prevent broken wires from puncturing or tearing your skin.

1. Remove the shroud screws. Figure 26.
2. Remove the tube from the engine.
3. Remove drive shaft from the tube. Figure 27.
4. Check drive shaft for broken wires, twists, or kinks, and replace if damage is found.
5. Using a clean cloth, wipe the surface of the drive shaft to remove any old grease. Figure 28.
6. Apply a uniform coat of lube to the entire surface of the drive shaft.

7. Inject the remaining contents of the container into the top of the tube.
8. Replace drive shaft in the tube. Figure 27.
9. Reassemble the tube to the engine. Tighten screws securely.

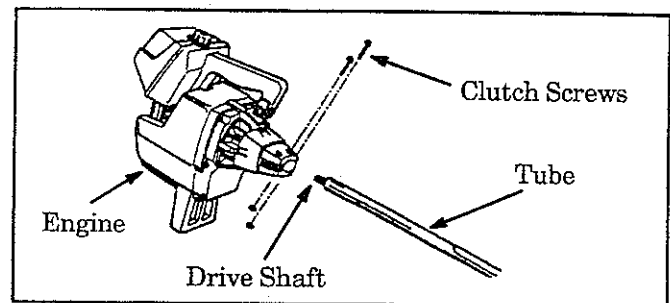


Figure 26

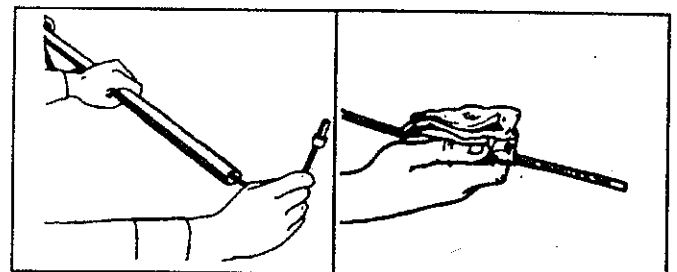


Figure 27

Figure 28

D. CARBURETOR ADJUSTMENTS

YOUR WEED EATER PRODUCT HAS BEEN DESIGNED AND MANUFACTURED TO SPECIFICATIONS THAT REDUCE HARMFUL EMISSIONS. After your unit has been run for 5 hours, the engine has broken-in. To ensure that your unit is at peak performance and producing the least amount of harmful emissions *after* break-in, have your Authorized Service Dealer adjust your carburetor for optimum operating conditions.

NOTE: Properly adjusting the carburetor is a complicated task. Read all warnings and instructions thoroughly before starting adjustments. If you do not think that you completely understand all warnings and instructions, let your Authorized Service Dealer perform these adjustments.

▲ DANGER

Make carburetor adjustments with lower end supported to prevent blade or trimmer line from contacting any object. Hold tool with your hand; do not use optional shoulder strap for support.

▲ WARNING

Keep others away when making carburetor adjustments.

▲ WARNING

Serious injury to the operator and others can occur if the carburetor is not properly adjusted.

- Poor engine performance can be a result of other causes such as dirty air filter, carbon build-up on muffler outlets, etc. See "Trouble Shooting Chart" before proceeding with carburetor adjustments.
- For best results, it is recommended that you have an Authorized Service Dealer make all carburetor adjustments. Your dealer has the training, experience, and tools necessary to properly adjust your unit to meet our factory performance specifications. *This service is not covered by warranty.* If it becomes necessary for you to make carburetor adjustments yourself, follow the described procedures very carefully.
- Very small adjustments can affect engine performance. It is important to turn the screw a very small amount per adjustment and test performance before making further adjustments. Each adjustment should be no more than the width of the slot in the adjusting screw.
- This is a complicated task; follow all instructions in sequence as indicated.

1. TROUBLE SHOOTING SUGGESTIONS

- Engine will not continue to run at idle position. See "Idle Speed Adjustment" and "Low Speed Mixture Adjustment."
- Blade or trimmer head continues to spin when the engine idles. See "Idle Speed Adjustment" and "Deceleration Check."
- Engine dies or hesitates when it should accelerate. See "Acceleration Check."
- Loss of cutting power which cannot be corrected by cleaning the air filter. See "High Speed Mixture Adjustment."
- Engine does not return to idle from full throttle within 2 seconds. See "Deceleration Check."
- Engine will not run. See "Trouble Shooting Chart." Then, if the carburetor requires adjustment, begin with "Basic Carburetor Settings."

▲ WARNING

The blade or trimmer line will be spinning during most of this procedure. Wear your protective equipment and observe all safety instructions.

2. BASIC CARBURETOR SETTINGS

NOTE: In most cases, your engine can be made to run properly with minor carburetor adjustments. Refer to "Trouble Shooting Suggestions" in the left column for the condition you are experiencing and follow the instructions. The basic carburetor settings are provided below.

- a. Turn the low speed mixture screw and the high speed mixture screw (Figure 29) clockwise until they stop. *Do not turn the screws until they are tight as damage to the needle seats can occur.*
- b. Turn the low speed mixture and high speed mixture screws between three-quarters and one full turn counterclockwise.
- c. Follow instructions "Preparation," through "High Speed Mixture Adjustment."

3. ADJUSTING PROCEDURE

a. PREPARATION

1. Use fresh fuel mix. See Fueling section.
2. Make sure the line extends to the length allowed by the line limiter to provide correct load on engine.
3. Start the engine. Cut grass for 3 minutes to warm engine. *The engine must be at operating temperature before carburetor adjustments can be performed correctly.*

b. IDLE SPEED ADJUSTMENT

1. Allow engine to idle.
2. Adjust idle speed screw (Figure 29) until the engine continues to run without stalling and without blade or trimmer head moving.
 - Turn screw clockwise to increase engine speed if the engine stalls or dies.
 - Turn screw counterclockwise to slow engine down and/or to keep blade or trimmer head from turning.
3. Follow instructions in "Acceleration Check" and "Deceleration Check."
4. No further adjustments are necessary if the blade or trimmer head does not turn at idle speed and performance is satisfactory.

▲ WARNING

Recheck idle speed after each adjustment; blade or trimmer head must not turn at idle speed to avoid serious injury to operator or others.

c. ACCELERATION CHECK

1. Allow engine to idle.
2. Squeeze trigger fully
 - a. If performance is satisfactory, proceed to "d. Deceleration Check."
 - b. If the engine does not accelerate smoothly, turn the low speed mixture screw (Figure 29) counterclockwise a small amount (no more than the width of the slot in the adjusting screw).
3. Repeat step "2." until smooth acceleration is obtained.

NOTE: It may be necessary to repeat "Idle Speed Adjustment" through "Acceleration Check," to obtain correct adjustments.

4. Follow the instructions in "Deceleration Check."

d. DECELERATION CHECK

1. Allow engine to idle, then squeeze throttle trigger fully.
2. Allow engine to run at full speed for about 1 second.
3. Release the throttle trigger to the idle position and listen to the deceleration of the engine. It must return to idle smoothly and within 1 to 2 seconds.
 - a. If performance is satisfactory, proceed to step "4."
 - b. If the engine slowly or erratically returns to idle or idles erratically, repeat "Idle Speed Adjustment" or continue through "Low Speed Mixture" and "High Speed Mixture" Adjustments to obtain proper deceleration.
4. Recheck idle speed.

e. LOW SPEED MIXTURE ADJUSTMENT

1. Allow engine to idle.
2. Turn the low speed mixture screw (Figure 29) slowly clockwise until the speed starts to drop. Note this position.
3. Turn the low speed mixture screw counterclockwise until the speed increases and then starts to drop again. Note this position.
4. Set the low speed mixture screw at the midpoint between the two positions.
5. Follow instructions in "Acceleration Check" and "Deceleration Check."

f. HIGH SPEED MIXTURE ADJUSTMENT

CAUTION: Do not operate engine at full throttle for prolonged periods while making high speed adjustments as damage to the engine can occur.

1. Support the lower end so the blade or trimmer line is off the ground and will not make contact with any object.
2. Allow engine to idle, then squeeze throttle trigger fully.

NOTE: Perform steps "3." through "5.," at full throttle.

3. Turn high speed mixture screw (Figure 29) very slowly clockwise until engine speed is reduced.
4. Turn high speed mixture screw very slowly counterclockwise. Stop when the engine begins to run roughly.
5. Turn the screw slowly the minimum amount clockwise until the engine runs smoothly.
6. Follow instructions in "Acceleration Check" and "Deceleration Check".

CAUTION: If the engine does not operate according to these instructions after repeating the adjusting steps, do not use the tool. Take it to your Authorized Service Dealer.

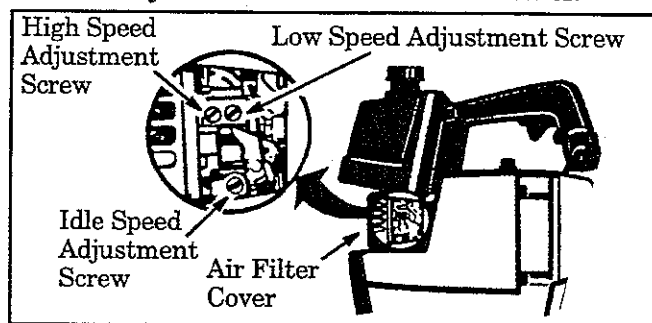


Figure 29

E. BLADE SHARPENING

▲ WARNING

Always stop the engine before sharpening a blade. The blade will continue to spin after the engine stops or after the throttle trigger has been released. Make sure the blade has stopped coasting and disconnect the spark plug before performing work on the blade.

1. The 4 point, 8 inch blade is reversible. When the cutting edge on one side becomes dull, turn the blade over. When both sides of cutting edges become dull, the blade may be resharpened.
2. Check blades for flatness periodically. Lay the blade on a flat surface and inspect the blade for flatness before sharpening. Throw away a blade that is not flat.
3. File or grind each edge in the same manner to maintain a balanced blade. Figure 30.

▲ WARNING

Always replace a blade that is bent, warped, cracked, broken, or damaged in any other way. Never attempt to straighten and re-use a damaged blade. Use only the specified replacement blade.

CAUTION: Wear protective gloves when handling or performing maintenance on the blade to help avoid injury.

▲ WARNING

To prevent the blade from cracking or flying apart after sharpening, do not file within 1/4 inch of the radii shown in Figure 30.

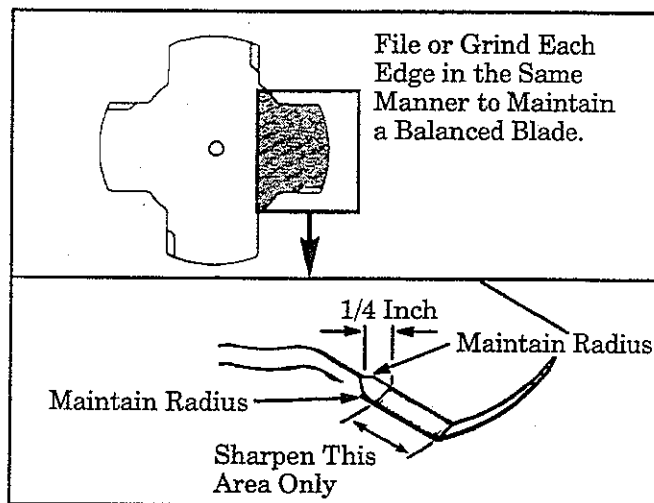


Figure 30

F. STARTER ROPE

▲ DANGER

Never start engine with clutch shroud removed; clutch will fly apart and cause serious injury.

▲ WARNING

Do not remove the pulley tab and screw to remove pulley. The spring beneath the pulley is under tension and can fly out and cause serious injury. If any part of pulley housing assembly is damaged other than the rope, do not use the tool. Take it to your Authorized Service Dealer.

1. Disconnect spark plug wire. Figure 31 .
2. Remove the four clutch shroud screws with the small hex wrench provided. Figure 31 .
3. Remove the top handle mounting screw and nut, and remove the steel spacer from the rubber bushing on the handle mount. Figure 31 .
4. Separate clutch shroud from engine. Figure 31 .

▲ DANGER

Use only a hand tool to remove the clutch. Do not use any type of motorized tool or strike the clutch in any way. Otherwise, the clutch will fly apart and cause serious injury.

5. Hold the "flats" of the clutch with an adjustable wrench as shown in Figure 32 (inset) and remove the Nut counterclockwise with a 9/16" wrench.
- NOTE:** Clutch will slide off the crankshaft intact. Do not disassemble clutch.
6. Remove the cupped washer, clutch, and large flat washer as shown in Figure 32 .
7. Remove pulley housing from unit. Figure 32 .
8. Remove rope retainer screw from pulley. Then, remove any remaining rope. Figure 33 .
9. Hand turn the pulley clockwise as far as it will go. Then, turn the pulley counterclockwise until the pulley notch is aligned with the housing notch next to the pulley tab and screw. Figure 34 .
10. Next, turn the pulley one complete turn counterclockwise until the notches are aligned again.
11. Insert the small hex wrench into the hole formed by the notches to hold the pulley in position. Figure 33 (inset).
12. Use a 42" length of replacement rope.
13. Move 10 feet (3 meters) away from the fuel tank with the replacement rope. Use a match and melt both ends of the rope to prevent fraying.
14. Pull melted ends through a thick, clean rag while Rope is still hot to obtain smooth, pointed ends.
15. Insert one end of the rope through the handle and secure with a knot. Leave a 3/16" tail behind the knot. Figure 34 (inset).
16. Insert the other end of the rope through the rope exit hole into the inside of the housing, into the pulley and up through the pulley hole. Figure 34 .
17. Wrap the rope counterclockwise around the pulley ratchet and tuck loose end under the rope at the pulley hole. Figure 33 . Leave a 1 inch tail laying between the retainer rib and the retainer screw/post. Figure 33 .
18. Tighten the rope retainer screw until the bottom of the washer is snug. Pull firmly on rope to tighten it against the pulley ratchet.
19. Hold the rope taut at the rope exit hole so the pulley will not move. Remove hex wrench.
20. Slowly feed rope into the pulley housing.
21. Make sure spacer is in place as shown in Figure 32 , then reverse steps 1 through 7 to re-assemble.

CAUTION: When reinstalling the clutch, tighten the nut until the cupped washer is flattened against the clutch. Over or under tightening the nut can cause engine damage.

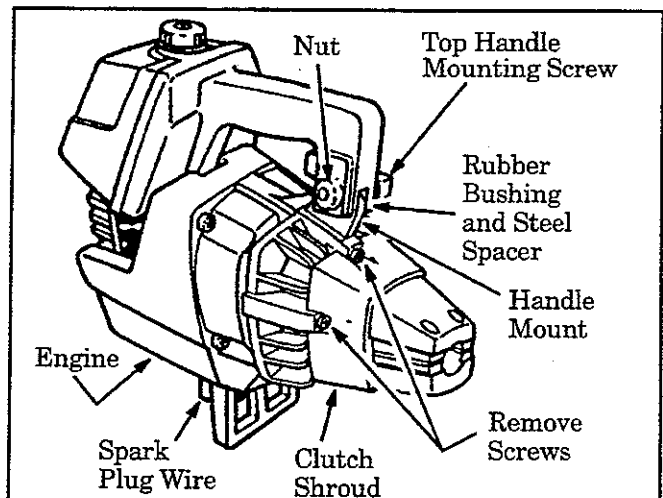


Figure 31

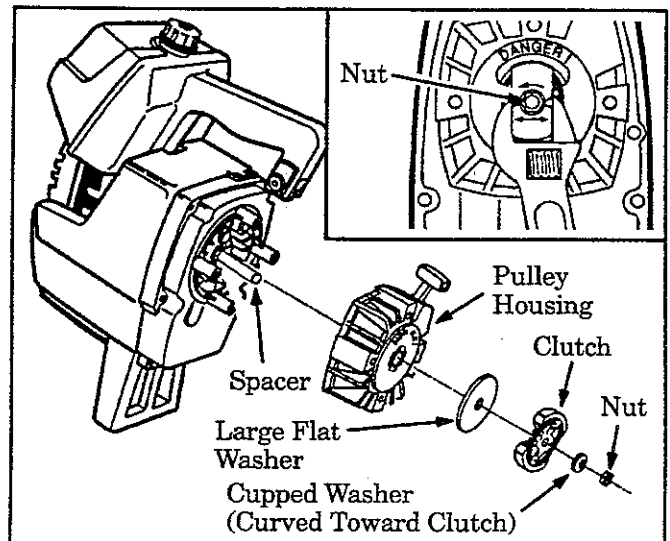


Figure 32

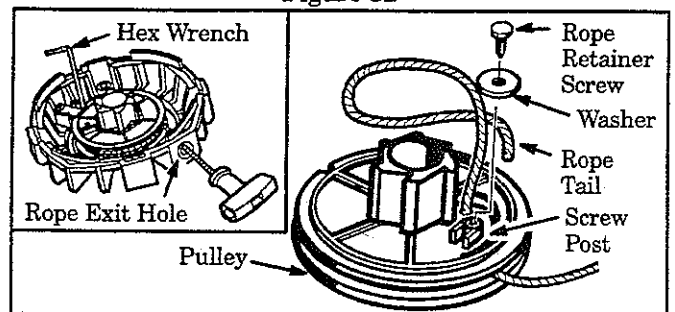


Figure 33

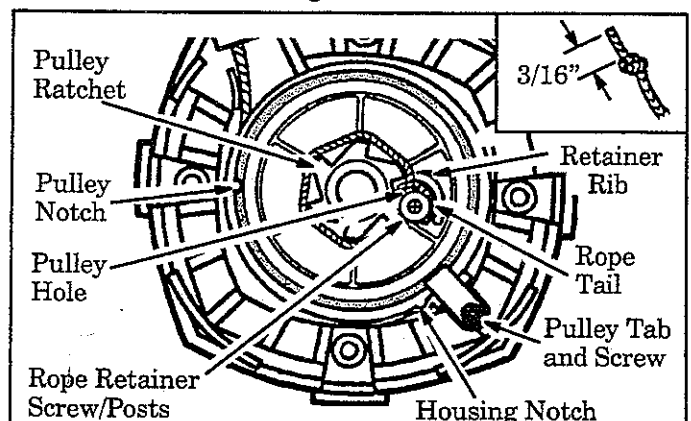


Figure 34

G.TROUBLE SHOOTING CHART

SYMPTOM	CAUSE	REMEDY
Engine will not start or will run only for a few seconds after starting.	<ol style="list-style-type: none"> 1. Fuel tank empty. 2. Engine flooded. 3. Spark plug not firing. 4. Fuel not reaching carburetor. 5. Carburetor requires adjustment. 6. None of the above. 	<ol style="list-style-type: none"> 1. Fill tank with correct fuel mixture 2. See "Starting Instructions." 3. Install new plug/check ignition system. 4. Clean fuel filter; inspect fuel line. 5. See "Carburetor Adjustments." 6. Contact your Service Dealer.
Engine will not idle properly	<ol style="list-style-type: none"> 1. Idle speed set too fast or too slow. 2. Carburetor requires adjustment. 3. Throttle trigger screw too tight. 4. None of the above. 	<ol style="list-style-type: none"> 1. See "Carburetor Adjustments." 2. See "Carburetor Adjustments." 3. Loosen screw to free trigger. 4. Contact your Authorized Service Dealer.
Engine will not accelerate, lacks power, or dies under a load	<ol style="list-style-type: none"> 1. Air filter dirty. 2. Spark plug fouled. 3. Carburetor requires adjustment. 4. Muffler outlets plugged. 5. None of the above. 	<ol style="list-style-type: none"> 1. Clean or replace air filter. 2. Clean or replace spark plug and re-gap. 3. See "Carburetor Adjustments." 4. Contact your Authorized Service Dealer. 5. Contact your Authorized Service Dealer.
Engine smokes excessively	<ol style="list-style-type: none"> 1. Air filter dirty. 2. Fuel mixture incorrect. 3. Carburetor requires adjustment. 	<ol style="list-style-type: none"> 1. Clean or replace air filter. 2. Refuel with correct fuel mixture. 3. See "Carburetor Adjustments."
Engine runs hot	<ol style="list-style-type: none"> 1. Fuel mixture incorrect. 2. Carburetor requires adjustment. 3. Spark plug incorrect. 4. None of the above. 	<ol style="list-style-type: none"> 1. See "Fueling Your Unit." 2. See "Carburetor Adjustments." 3. Replace with correct plug. 4. Contact your Authorized Service Dealer.
Cutting attachment turns at idle speed	<ol style="list-style-type: none"> 1. Carburetor requires adjustment. 2. Throttle Cable binding. 3. Clutch requires repair. 	<ol style="list-style-type: none"> 1. See "Carburetor Adjustments." 2. Contact your Authorized Service Dealer. 3. Contact your Authorized Service Dealer.
Cutting head stops under a load or does not turn when engine is accelerated	<ol style="list-style-type: none"> 1. Drive shaft not engaged. 2. Drive shaft broken. 3. Carburetor requires adjustments. 4. Clutch requires repair. 	<ol style="list-style-type: none"> 1. See the "Assembly" section. 2. Contact your Authorized Service Dealer. 3. See the "Carburetor Adjustment" section. 4. Contact your Authorized Service Dealer.
Line does not advance or breaks while cutting	<ol style="list-style-type: none"> 1. Line improperly routed in head. 2. Line improperly wound onto spool. 3. Line size incorrect. 4. Too little line outside head. 5. Dirt accumulated on cover cut-outs. 	<ol style="list-style-type: none"> 1. Remove cover. Check line routing. 2. Rewind line tightly and evenly. 3. Use only .080" diameter WEED EATER brand line. 4. Remove cover. Pull 6" of line to outside. 5. Clean cover cut-outs.
Line welds on spool	<ol style="list-style-type: none"> 1. Line size incorrect. 2. Incorrect spool. 3. Crowding line against material being cut. 4. Cutting at higher speed than necessary. 	<ol style="list-style-type: none"> 1. Use only .080" diameter WEED EATER brand line. 2. Use proper spool. 3. Cut with tip of line. 4. Reduce cutting speed.
Line releases continuously	<ol style="list-style-type: none"> 1. Line wound beyond notches on spool. 2. Line improperly routed in head. 3. Line size incorrect. 	<ol style="list-style-type: none"> 1. Rewind line tightly and evenly. 2. Remove cover. Check line routing. 3. Use only .080" diameter WEED EATER brand line.
Line usage is excessive	<ol style="list-style-type: none"> 1. Line improperly routed in head. 2. Line size incorrect. 3. Cutting at high speed around hard objects. 4. Crowding line against material being cut. 	<ol style="list-style-type: none"> 1. Remove cover. Check line routing. 2. Use only .080" diameter WEED EATER brand line. 3. Reduce speed around hard objects. 4. Cut with tip of line.
Line pulls back into head	<ol style="list-style-type: none"> 1. Too little line outside of head. 2. Line size incorrect. 	<ol style="list-style-type: none"> 1. Remove cover. Pull 6" of line to outside. 2. Use only .080" diameter WEED EATER brand line.
Excessive vibration	<ol style="list-style-type: none"> 1. Handle spring(s) out of position. 2. Engine/drive shaft requires inspection. 	<ol style="list-style-type: none"> 1. Reinstall anti-vibration spring onto spring post. 2. Contact your Authorized Service Dealer.

**CUSTOMER
ASSISTANCE ?**
call 1-800-554-6723

One of the most important priorities at POULAN/WEED EATER is customer satisfaction, especially *after* the sale. Your product has been expertly engineered and carefully manufactured to rigid quality standards to provide you with optimum performance and maximum operational lifetime. As with all mechanical products, however, making adjustments or replacing parts may be necessary during the life of your unit.

Because customer satisfaction is a major priority, POULAN/WEED EATER has established a special, toll free Customer Assistance Service to assist you with any after-the-sale needs. Whether you need a replacement part, an accessory, the name of your nearest sales or service dealer, or just need help in assembling your unit, our customer service representatives will be available to answer your questions.

When calling our Customer Assistance Service, please be prepared to give the description of the unit, the model number, serial number, and, if ordering parts, the part number or description of each part. Call 1-800-554-6723. Our representatives will be glad to help.

FOR SERVICE OR REPLACEMENT PARTS:

1. Consult your dealer/place of purchase.
2. Consult the yellow pages of your phone directory for the name of the nearest POULAN/WEED EATER Master Service Dealer (under "saws" for Chain Saws or under "lawnmowers" for Trimmers, Brushcutters, and Blowers).

NOTE: POULAN/WEED EATER Division provides parts and service through its authorized distributors and dealers; therefore, all requests for parts and service should be directed to your local dealer(s). The philosophy of POULAN/WEED EATER Division is to continually improve all of its products. If the operating characteristics or the appearance of your product differs from those described in this Operator's Manual, please contact your local POULAN/WEED EATER Dealer for updated information and assistance.

POULAN/WEED EATER
DIVISION OF WCI OUTDOOR PRODUCTS, INC.
Shreveport, Louisiana 71129 U.S.A.

©1993 Poulan/Weed Eater Division WCI Outdoor Products, Inc.

Free Manuals Download Website

<http://myh66.com>

<http://usermanuals.us>

<http://www.somanuals.com>

<http://www.4manuals.cc>

<http://www.manual-lib.com>

<http://www.404manual.com>

<http://www.luxmanual.com>

<http://aubethermostatmanual.com>

Golf course search by state

<http://golfingnear.com>

Email search by domain

<http://emailbydomain.com>

Auto manuals search

<http://auto.somanuals.com>

TV manuals search

<http://tv.somanuals.com>