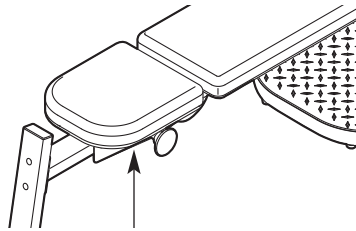


Model No. WESY38730

Serial No. _____

Write the serial number in the space above for future reference.



Serial Number Decal (under seat)

QUESTIONS?

As a manufacturer, we are committed to providing complete customer satisfaction. If you have questions, or if there are missing or damaged parts, we will guarantee complete satisfaction through direct assistance from our factory.

TO AVOID DELAYS, PLEASE CALL DIRECT TO OUR TOLL-FREE CUSTOMER HOT LINE. The trained technicians on our customer hot line will provide immediate assistance, free of charge.

CUSTOMER HOT LINE:

1-877-992-5999

Mon.-Fri., 6 a.m.-6 p.m. MST

CAUTION

Read all precautions and instructions in this manual before using this equipment. Save this manual for future reference.

MAX

by **WEIDER**TM

VISION



USER'S MANUAL



Visit our website at

www.weiderfitness.com

*new products, prizes,
fitness tips, and much more!*

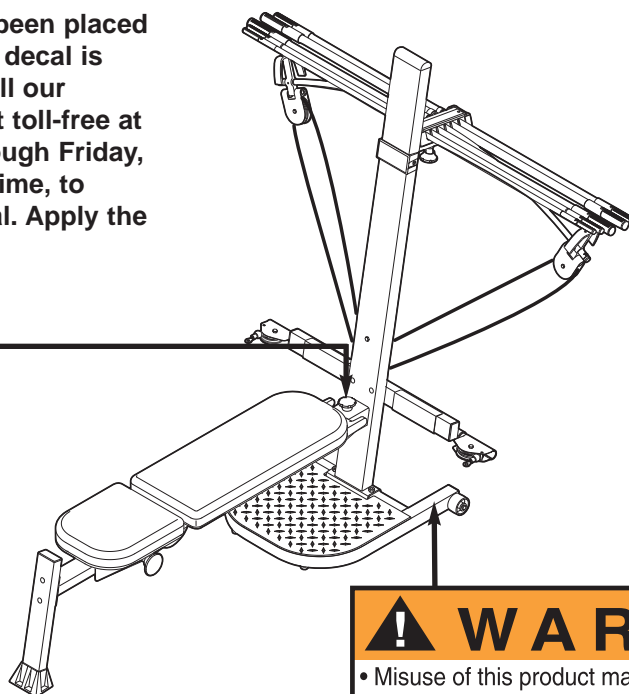
TABLE OF CONTENTS

WARNING DECAL PLACEMENT	2
IMPORTANT PRECAUTIONS	3
BEFORE YOU BEGIN	4
ASSEMBLY	5
ADJUSTMENTS	12
CABLE DIAGRAM	15
EXERCISE GUIDELINES	16
ORDERING REPLACEMENT PARTS	Back Cover
LIMITED WARRANTY	Back Cover

Note: A PART IDENTIFICATION CHART and a PART LIST/EXPLODED DRAWING are attached in the center of this manual. Remove the PART IDENTIFICATION CHART and PART LIST/EXPLODED DRAWING before beginning assembly.

WARNING DECAL PLACEMENT

The decals shown here have been placed on the resistance system. If a decal is missing or illegible, please call our Customer Service Department toll-free at 1-8077-992-5999, Monday through Friday, 6 a.m. until 6 p.m. Mountain Time, to order a free replacement decal. Apply the decal in the location shown.



IMPORTANT PRECAUTIONS

⚠ WARNING: To reduce the risk of serious injury, read the following important precautions before using the resistance system.

1. Read all instructions in this manual before using the resistance system. Use the resistance system only as described in this manual.
2. It is the responsibility of the owner to ensure that all users of the resistance system are adequately informed of all precautions.
3. The resistance system is intended for home use only. Do not use the resistance system in any commercial, rental, or institutional setting.
4. Keep the resistance system indoors, away from moisture and dust. Do not put the resistance system in a garage or covered patio, or near water.
5. Use the resistance system only on a level surface. Cover the floor beneath the resistance system to protect the floor.
6. Make sure that all parts are properly tightened each time the resistance system is used. Replace any worn parts immediately.
7. Keep children under 12 and pets away from the resistance system at all times.
8. Keep hands and feet away from moving parts.
9. Always wear athletic shoes for foot protection while exercising.
10. Make sure the rings on the resistance bars are pushed against the tray before using the resistance system.
11. The resistance system is designed to support a maximum user weight of 300 pounds.
12. When adding resistance, both ends of the resistance bars must rest under the two “U”-channels. Add and remove resistance bars from the “U”-channels one resistance bar at a time.
13. Pull on the cable only while sitting on the bench or standing on the base plate.
14. The resistance system is designed to be used with the included resistance, and the resistance included with a MAX by WEIDER Power Pak. Do not use the resistance system with any other type of resistance.
15. Keep clear of the area around the “U”-channels while the resistance system is in use. Do not add or remove resistance bars from the “U”-channels while the end of the long cable is pulled out.
16. Always adjust the resistance bar assembly to the horizontal position and make sure the fulcrum knob is secure before using the resistance system.
17. Make sure the storage knob is in place and fully tightened each time the resistance system is used.
18. Make sure that the cable remains on the pulleys at all times. If the cable binds as you are exercising, stop immediately and make sure that the cable is on the pulleys. Replace all cables at least every two years.
19. If you feel pain or dizziness while exercising, stop immediately and begin cooling down.

⚠ WARNING: Before beginning this or any exercise program, consult your physician. This is especially important for persons over the age of 35 or persons with pre-existing health problems. Read all instructions before using. ICON assumes no responsibility for personal injury or property damage sustained by or through the use of this product.

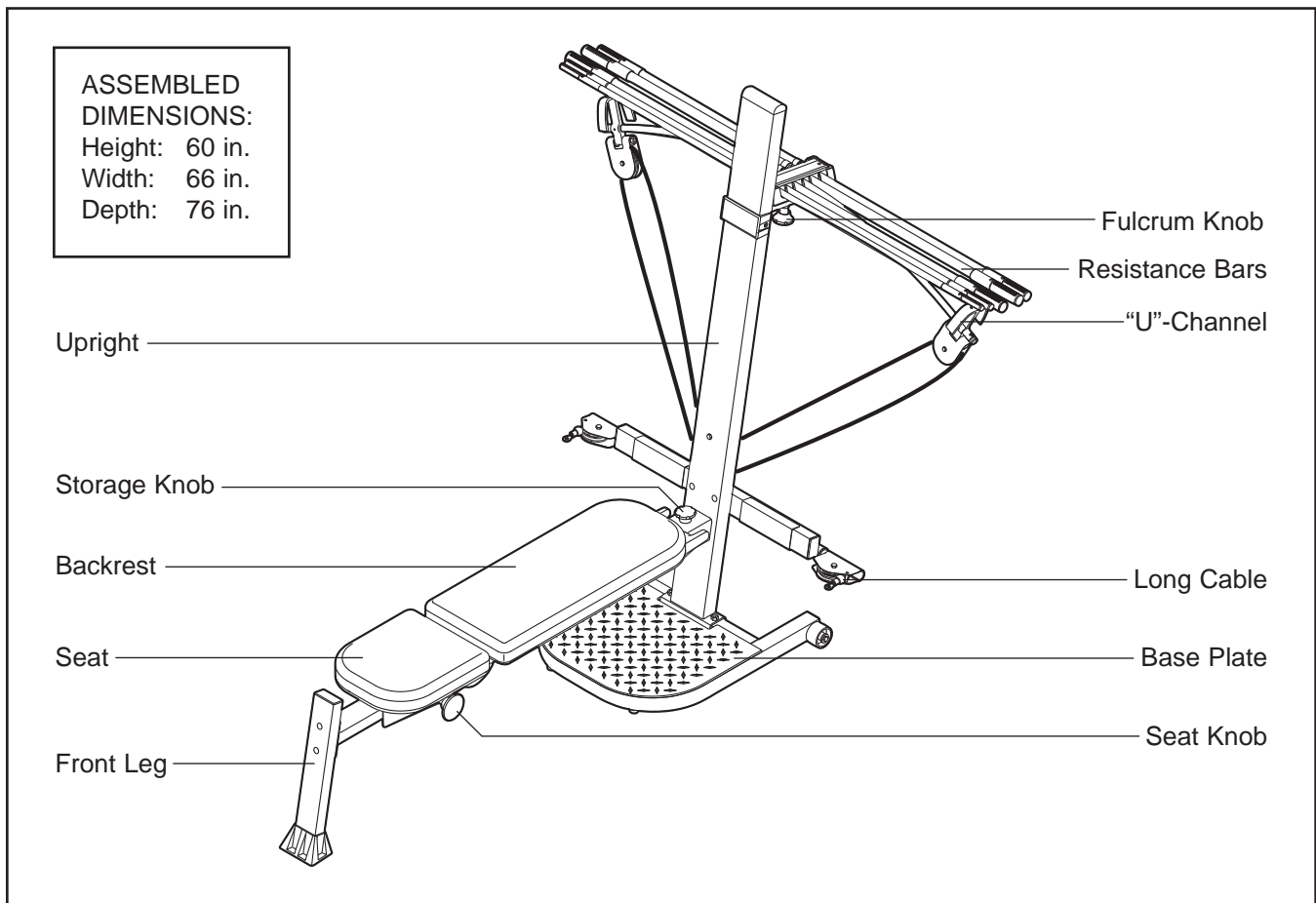
BEFORE YOU BEGIN

Thank you for selecting the innovative MAX by WEIDER™ VISION resistance system. The resistance system offers a selection of stations designed to develop every major muscle group of the body. Whether your goal is to tone your body, build dramatic muscle size and strength, or improve your cardiovascular system, the resistance system will help you to achieve the specific results you want.

For your benefit, read this manual carefully before using the resistance system. If you have questions

after reading this manual, please call our Customer Service Department toll-free at 1-877-992-5999, Monday through Friday, 6 a.m. until 6 p.m. Mountain Time (excluding holidays). To help us assist you, please note the product model number and serial number before calling. The model number is WESY38730. The serial number can be found on a decal attached to the resistance system (see the front cover of this manual).

Before reading further, please review the drawing below and familiarize yourself with the parts that are labeled.



ASSEMBLY

Make Things Easier for Yourself





This manual is designed to ensure that the resistance system can be assembled successfully by most people. However, it is important to realize that the versatile resistance system has many parts and that the assembly process will take time. Most people find that by setting aside plenty of time, assembly will go smoothly.

Before beginning assembly, carefully read the following information and instructions:

- Assembly requires two persons.
- Place all parts in a cleared area and remove the packing materials. Do not dispose of the packing materials until assembly is completed.
- **For help identifying small parts, use the PART IDENTIFICATION CHART.** Note: Some small parts may have been pre-attached for shipping. If a part is not in the parts bag, check to see if it has been pre-attached.

- Tighten all parts as you assemble them, unless instructed to do otherwise.
- As you assemble the resistance system, make sure all parts are oriented as shown in the drawings.

The included Allen wrenches and the following tools (not included) are required for assembly:

- Two adjustable wrenches 
- One rubber mallet 
- One standard screwdriver 
- One Phillips screwdriver 
- Lubricant, such as grease or petroleum jelly, and soapy water.

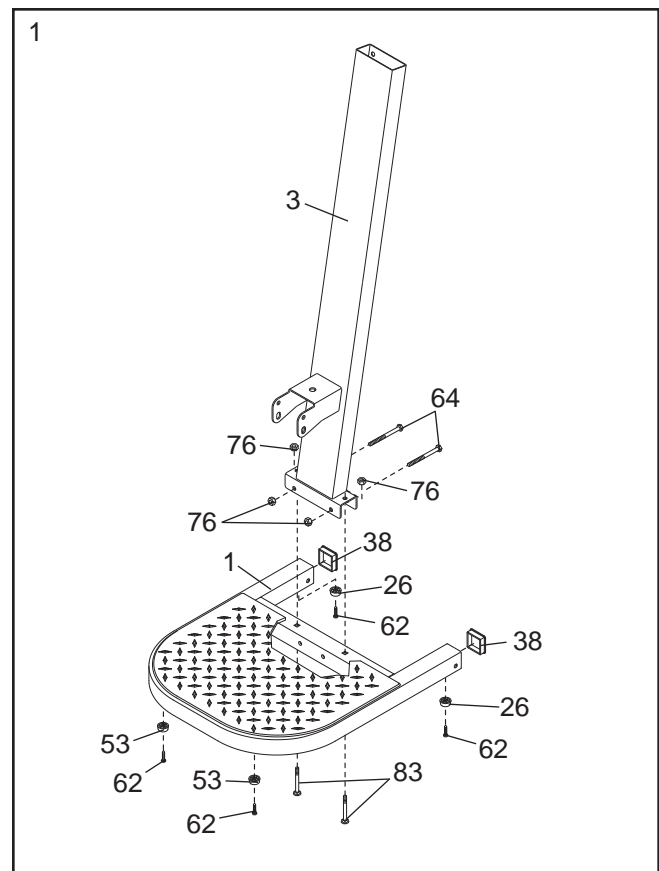
Assembly will be more convenient if you have a socket set, a set of open-end or closed-end wrenches, or a set of ratchet wrenches.

1. **Before beginning assembly, make sure that you have read and understand the information in the box above.**

Press two 50mm Square Inner Caps (38) into the Base (1).

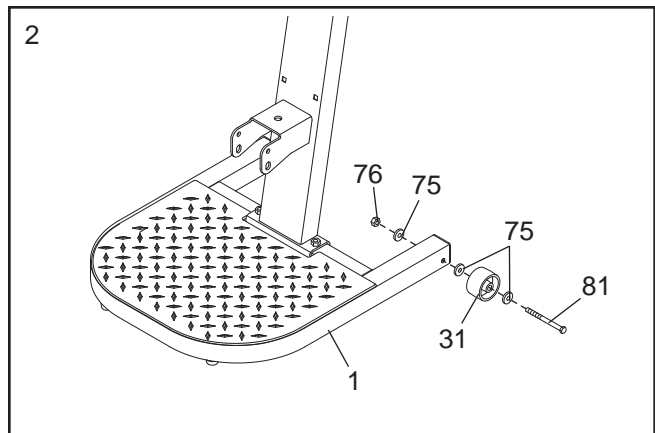
Attach two Plastic Feet (53) and two Large Plastic Feet (26) to the Base (1) with four M4 x 16mm Screws (62).

Attach the Upright (3) to the Base (1) with two M10 x 66mm Carriage Bolts (83), two M10 x 72mm Bolts (64), and four M10 Nylon Locknuts (76) as shown. **Note: This step will be easier to complete if the Upright and Base are tipped on their sides.**



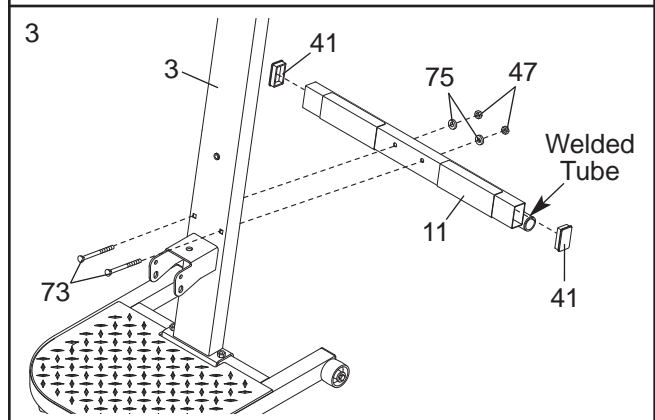
- Attach a Wheel (31) to the outside of the Base (1) with an M10 x 108mm Bolt (81), three M10 Washers (75), and an M10 Nylon Locknut (76). **Do not overtighten the Locknut; the Wheel must be able to turn easily.**

Attach the other Wheel (not shown) in the same manner.



- Press a 38mm x 64mm Inner Cap (41) into each end of the Cross Tube (11).

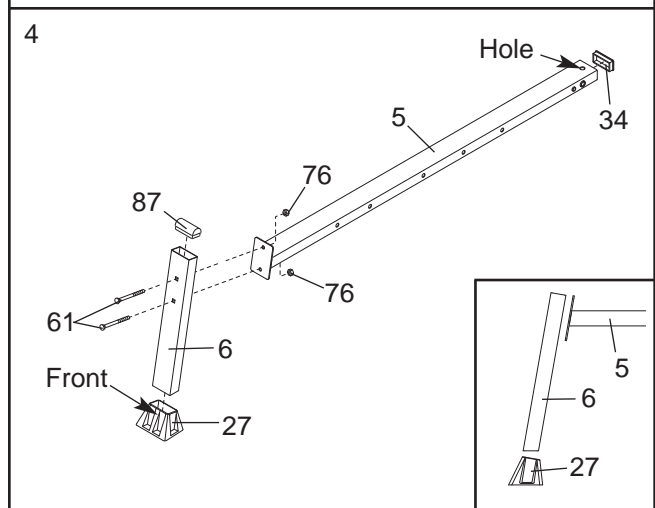
Orient the Cross Tube (11) as shown, with the welded tubes at the bottom. Attach the Cross Tube to the Upright (3) with two M10 x 140mm Carriage Bolts (73), two M10 Washers (75), and two M10 Nuts (47).



- Press a 38mm x 76mm Inner Cap (34) into the end of the Bench Rail (5).

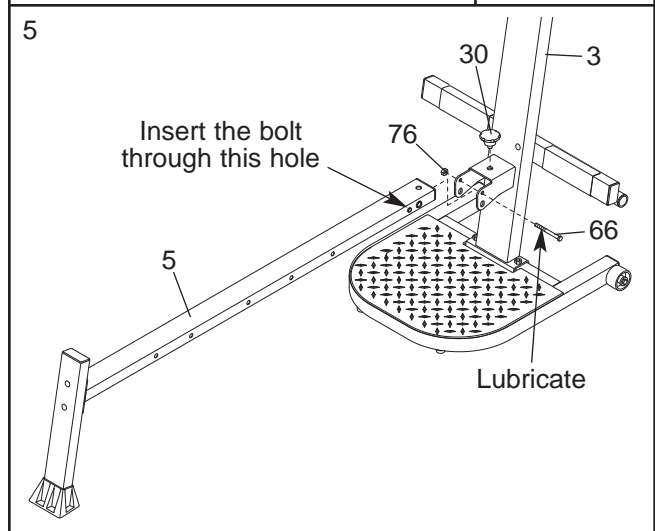
Press the 38mm x 76mm Dome Cap (87) into the top of the Front Leg (6). Press the Front Leg Foot (27) onto the bottom of the Front Leg. **Note that the front of the Front Leg Foot is taller than the back.**

Attach the Bench Rail (5) to the Front Leg (6) with two M10 x 53mm Carriage Bolts (61) and two M10 Nylon Locknuts (76). **Make sure the parts are oriented as shown in the inset drawing.**



- Lubricate an M10 x 103mm Bolt (66) with grease. Attach the Bench Rail (5) to the Upright (3) with the Bolt and an M10 Nylon Locknut (76). **Do not overtighten the Locknut; the Bench Rail must be able to pivot easily.**

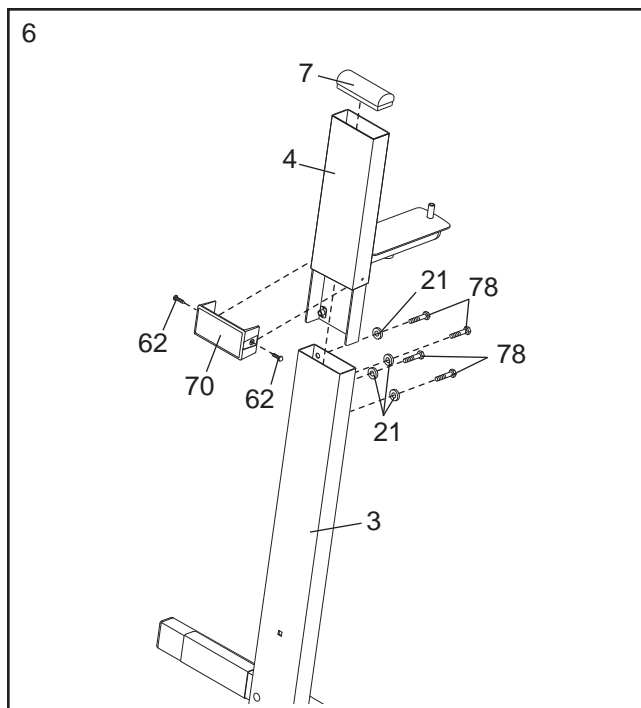
Tighten the Storage Knob (30) into the Upright (3) and the Bench Rail (5).



6. Press the Large Dome Cap (7) into the Top Upright (4).

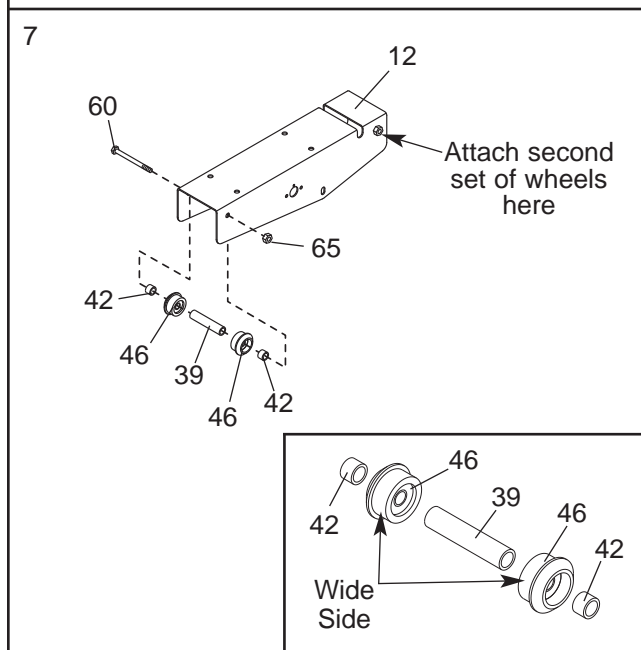
Attach the Top Upright (4) to the Upright (3) with four M10 x 25mm Button Head Screws (78), and four M10 Lock Washers (21).

Attach the Name Plate (70) to the Top Upright (4) with two M4 x 16mm Screws (62).



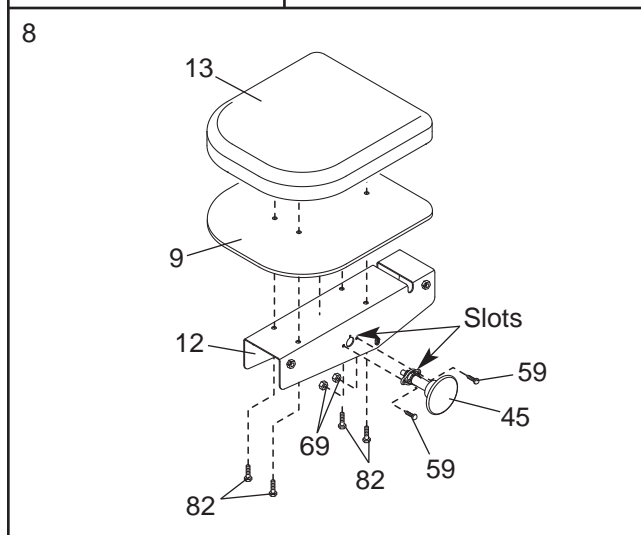
7. Attach two 8mm Metal Spacers (42), a 60mm Metal Spacer (39), and two Bearing Wheels (46) to one end of the Seat Carriage (12) with an M8 x 104mm Button Head Bolt (60) and an M8 Nylon Locknut (65) as shown. **Make sure the parts are oriented as shown in the inset drawing; the Seat Knob (not shown) will not engage the Bench Rail (not shown) if they are incorrectly oriented. Do not overtighten the Locknut; the Bearing Wheels must be able to roll easily.**

Attach two Bearing Wheels (not shown) to the other end of the Seat Carriage (12) in the same manner.



8. Attach the Seat Knob (45) to the Seat Carriage (12) with two M6 x 13mm Bolts (59) and two M6 Nylon Locknuts (69). **Make sure that the slot in the Knob is aligned with the slot in the Seat Carriage, as shown.**

Orient the Seat (13), the Seat Backing (9), and the Seat Carriage (12) as shown. Attach the Seat and the Seat Backing to the Seat Carriage with four 1/4" x 16mm Button Head Screws (82).



9. Pull out the Seat Knob (45) as far as it will go, and set the Seat Carriage (12) on the Bench Rail (5).

Loosely attach two 8mm Metal Spacers (42), a 60mm Metal Spacer (39), and two Bearing Wheels (46) to the center holes in the Seat Carriage (12) with two M8 Flange Nuts (19) and the M8 x 114mm Axle (57). **Make sure that the serrated edge of the Flange Nuts are against the Seat Carriage.**

While a second person presses down on the Seat (13), hold the wheel assembly firmly against the bottom of the Bench Rail (5) and properly tighten the M8 Flange Nuts (19). **Make sure that three threads are extending past the Nut, and that the wide sides of all six Wheels (46) are pressed against the Bench Rail.**

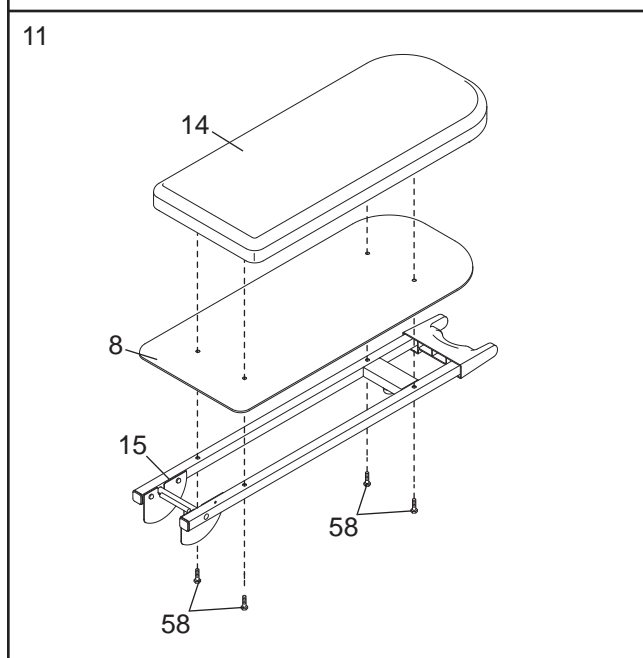
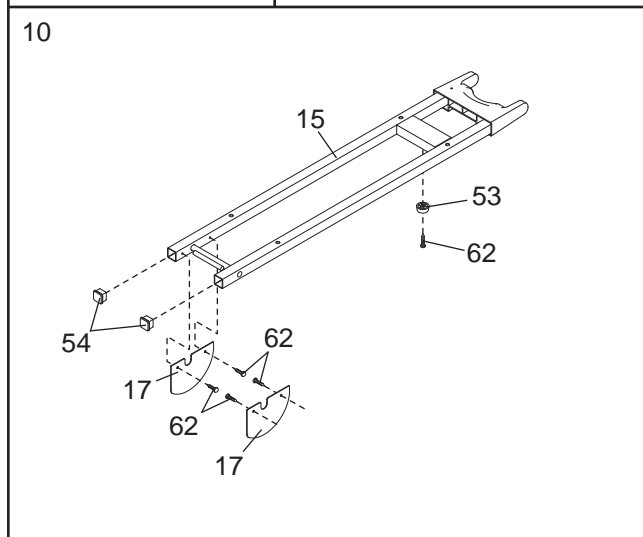
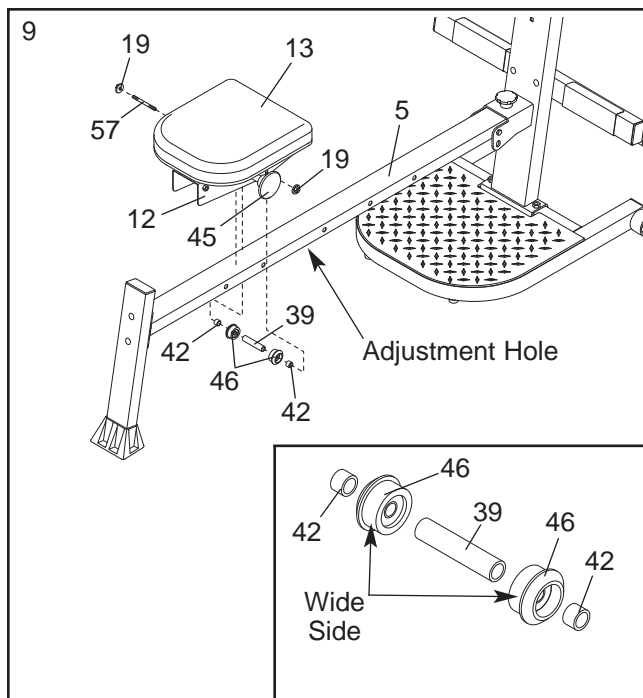
Engage the Seat Knob (45) into an adjustment hole in the Bench Rail (5).

10. Press two 25mm Square Inner Caps (54) into the indicated end of the Backrest Frame (15).

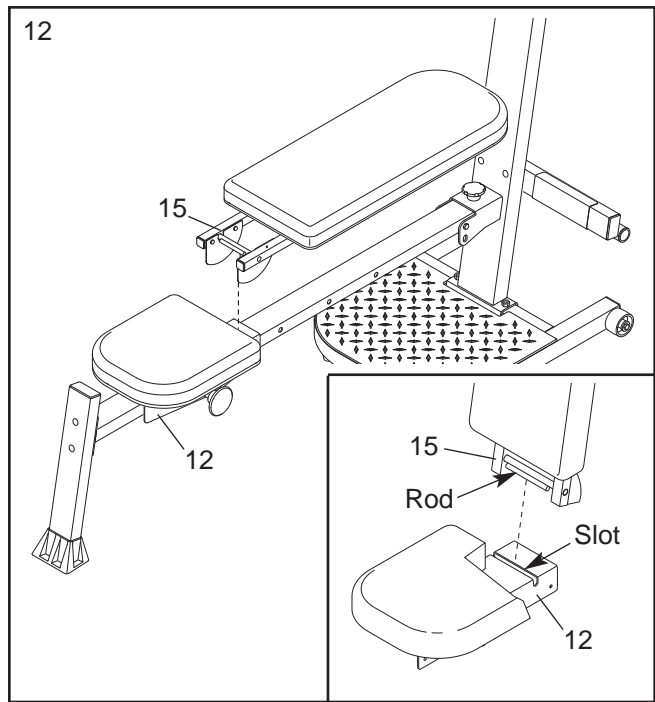
Attach a Plastic Foot (53) to the Backrest Frame (15) with an M4 x 16mm Screw (62).

Attach the two Guard Plates (17) to the inside of the Backrest Frame (15) with four M4 x 16mm Screws (62).

11. Orient the Backrest (14) and the Backrest Backing (8) as shown. Attach the Backrest and the Backrest Backing to the Backrest Frame (15) with four 1/4" x 45mm Button Head Screws (58).

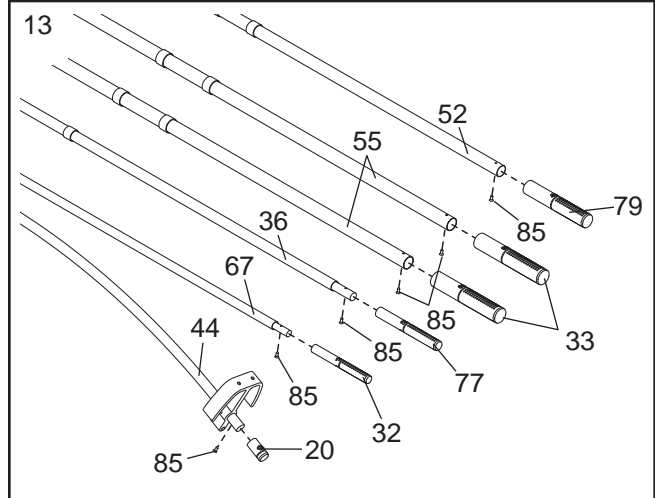


12. Insert the rod on the Backrest Frame (15) into the slot in the Seat Carriage (12). **Hold the Backrest Frame vertically over the Seat Carriage and slide the rod into the slot, as shown in the inset drawing.**



13. Attach the two 10-pound Short Caps (20) to the 10-pound Center Resistance Bar (44) with two M4 x 12mm Flat Head Screws (85).

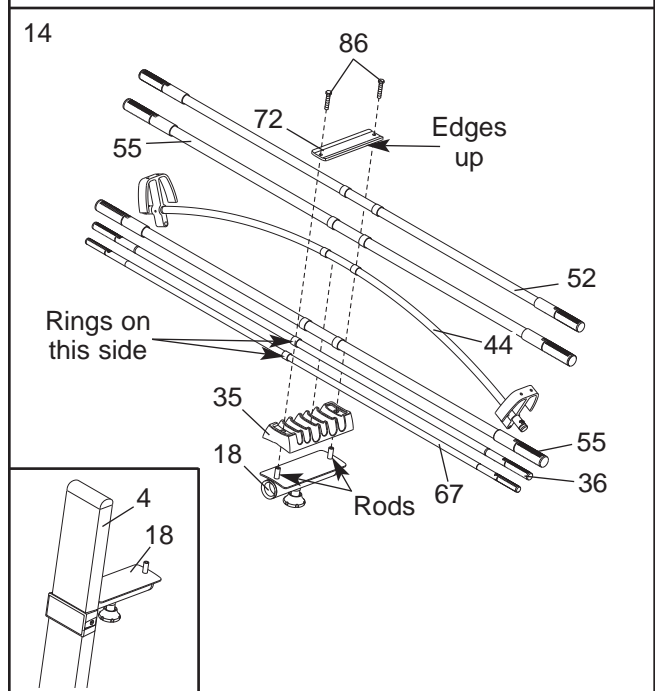
Using ten M4 x 12mm Flat Head Screws (85), attach the two 10-pound Caps (32) to the 10-pound Removable Resistance Bar (67), the two 20-pound Caps (77) to the 20-pound Removable Resistance Bar (36), the four 80-pound Caps (33) to the two 80-pound Resistance Bars (55), and the two 40-pound Caps (79) to the 40-pound Resistance Bar (52).



14. Locate the Fulcrum (18) on the Top Upright (4) (see the inset drawing). Slide the Tray (35) onto the rods on the Fulcrum. **Make sure the Tray is oriented as shown in the drawing.**

Set the Resistance Bars into the Tray (35) in the following order: the 10-pound Removable Resistance Bar (67), the 20-pound Removable Resistance Bar (36), an 80-pound Resistance Bar (55), the 10-pound Center Resistance Bar (44), the other 80-pound Resistance Bar (55), and the 40-pound Resistance Bar (52). **Make sure the indicated rings are on the side shown and the arrows point toward the Tray.**

Attach the Cover Plate (72), with the edges up, to the Tray (35) with two M8 x 19mm Button Head Screws (86).



15. **Locate the Long Cable (80).** Insert one end of the Cable through the welded tube on the indicated end of the Cross Tube (11) and then through a Swivel Arm (22). If necessary, use the tip of a screwdriver to pull the end of the Cable out of the Swivel Arm. **Be sure the Cable is on the indicated side of the welded rod in the Swivel Arm.**

Insert the Swivel Arm (22) into the welded tube on the Cross Tube (11). Secure the Swivel Arm with an M4 x 5mm Screw (10).

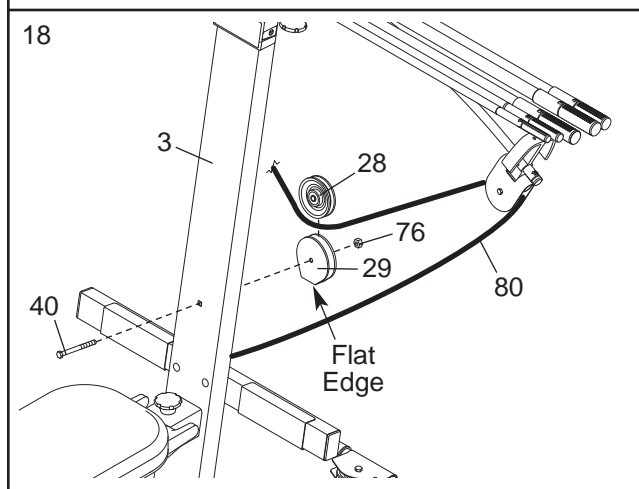
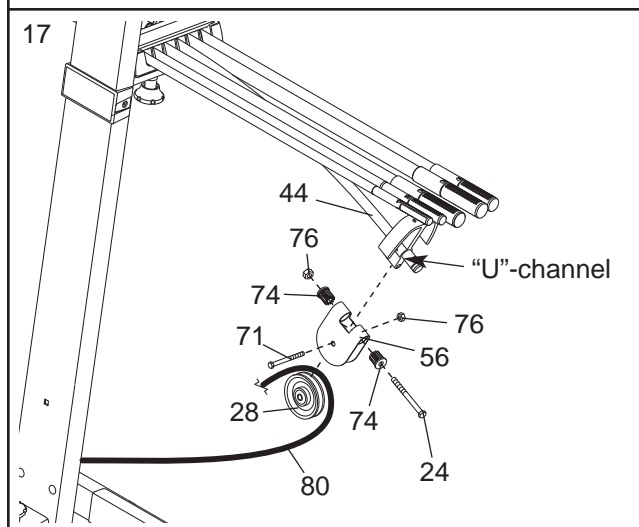
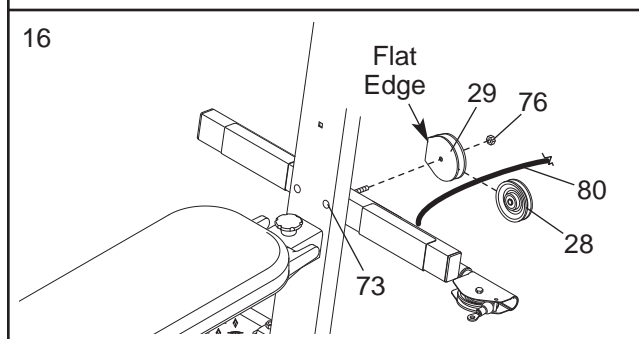
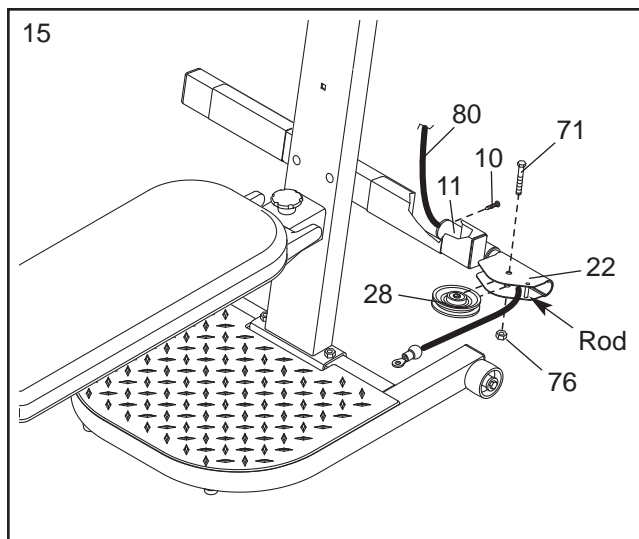
Wrap the Long Cable (80) around a 90mm Pulley (28). Attach the Pulley inside of the Swivel Arm (22) with an M10 x 42mm Button Head Bolt (71) and an M10 Nylon Locknut (76).

16. Wrap the Long Cable (80) around a 90mm Pulley (28). Attach the Pulley and a Pulley Guard (29) to the indicated M10 x 140mm Carriage Bolt (73) with an M10 Nylon Locknut (76). **Make sure that the flat edge of the Pulley Guard is on the side shown.**

17. Attach a Pulley Housing (56) to the indicated "U"-channel on the 10-pound Center Resistance Bar (44) with an M10 x 102mm Button Head Bolt (24), two Pivot Bushings (74), and an M10 Nylon Locknut (76).

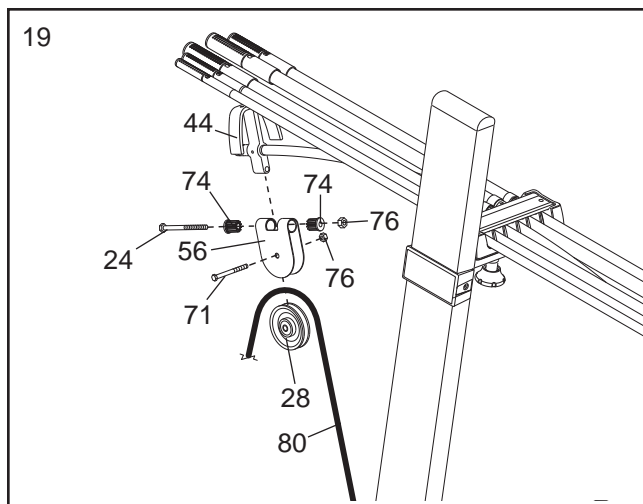
Wrap the Long Cable (80) around a 90mm Pulley (28). Attach the Pulley inside of the Pulley Housing (56) with an M10 x 42mm Button Head Bolt (71) and an M10 Nylon Locknut (76).

18. Wrap the Long Cable (80) under a 90mm Pulley (28) as shown. Attach the Pulley and a Pulley Guard (29) to the Upright (3) with an M10 x 113mm Button Head Bolt (40) and an M10 Nylon Locknut (76). **Make sure the flat edge of the Pulley Guard is on the bottom.**

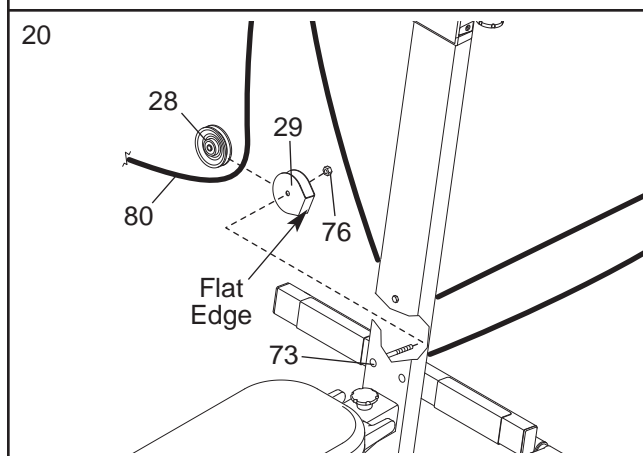


19. Attach a Pulley Housing (56) to the “U”-channel on the 10-pound Center Resistance Bar (44) with an M10 x 102mm Button Head Bolt (24), two Pivot Bushings (74), and an M10 Nylon Locknut (76).

Wrap the Long Cable (80) around a 90mm Pulley (28). Attach the Pulley inside of the Pulley Housing (56) with an M10 x 42mm Button Head Bolt (71) and an M10 Nylon Locknut (76).



20. Wrap the Long Cable (80) around a 90mm Pulley (28). Attach the Pulley and a Pulley Guard (29) to the indicated M10 x 140mm Carriage Bolt (73) with an M10 Nylon Locknut (76). **Make sure the flat edge of the Pulley Guard is on the side shown.**

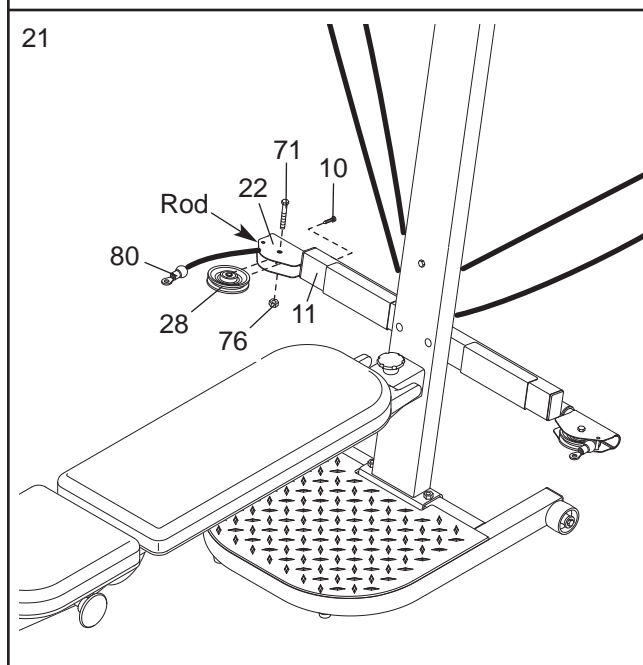


21. Make sure there are no Resistance Bars (not shown) under the “U”-channels on the 10-pound Center Resistance Bar (not shown). Have a second person pull on the Long Cable (80) to create slack in the Cable.

Insert the end of the Long Cable (80) through the welded tube on the end of the Cross Tube (11) and then through the remaining Swivel Arm (22). **Make sure the Cable is on the indicated side of the welded rod in the Swivel Arm.**

Insert the Swivel Arm (22) into the welded tube on the Cross Tube (11). Secure the Swivel Arm with an M4 x 5mm Screw (10).

Wrap the Long Cable (80) around a 90mm Pulley (28). Attach the Pulley inside of the Swivel Arm (22) with an M10 x 42mm Button Head Bolt (71) and an M10 Nylon Locknut (76).



22. Make sure that all parts have been properly tightened. The use of the remaining parts will be explained in ADJUSTMENTS, beginning on the following page.

Before using the resistance system, pull the long cable a few times to be sure that it moves smoothly over the pulleys. If the cable does not move smoothly, find and correct the problem. **IMPORTANT: If the cables are not properly installed, they may be damaged when heavy resistance is used. See the CABLE DIAGRAM on page 15 for proper cable routing.**

ADJUSTMENTS

This section explains how to adjust the resistance system. See the EXERCISE GUIDELINES on page 16 for important information about how to get the most benefit from your exercise program. Also, refer to the accompanying exercise guide to see the correct form for each exercise.

Make sure all parts are properly tightened each time the resistance system is used. Replace worn parts immediately. The resistance system can be cleaned with a damp cloth and a mild, non-abrasive detergent. Do not use solvents. The resistance bars can be cleaned with a vinyl and rubber protectant, available at an automotive or department store.

ADJUSTING THE SEAT

The Seat (13) can be secured in any of five positions on the Bench Rail (5). To move the Seat, pull the Seat Knob (45) out as far as it will go, and slide the Seat to the desired position. Engage the Seat Knob into an adjustment hole in the Bench Rail. **Note: It may be necessary to lift up on the Seat in order to engage the Seat Knob.**

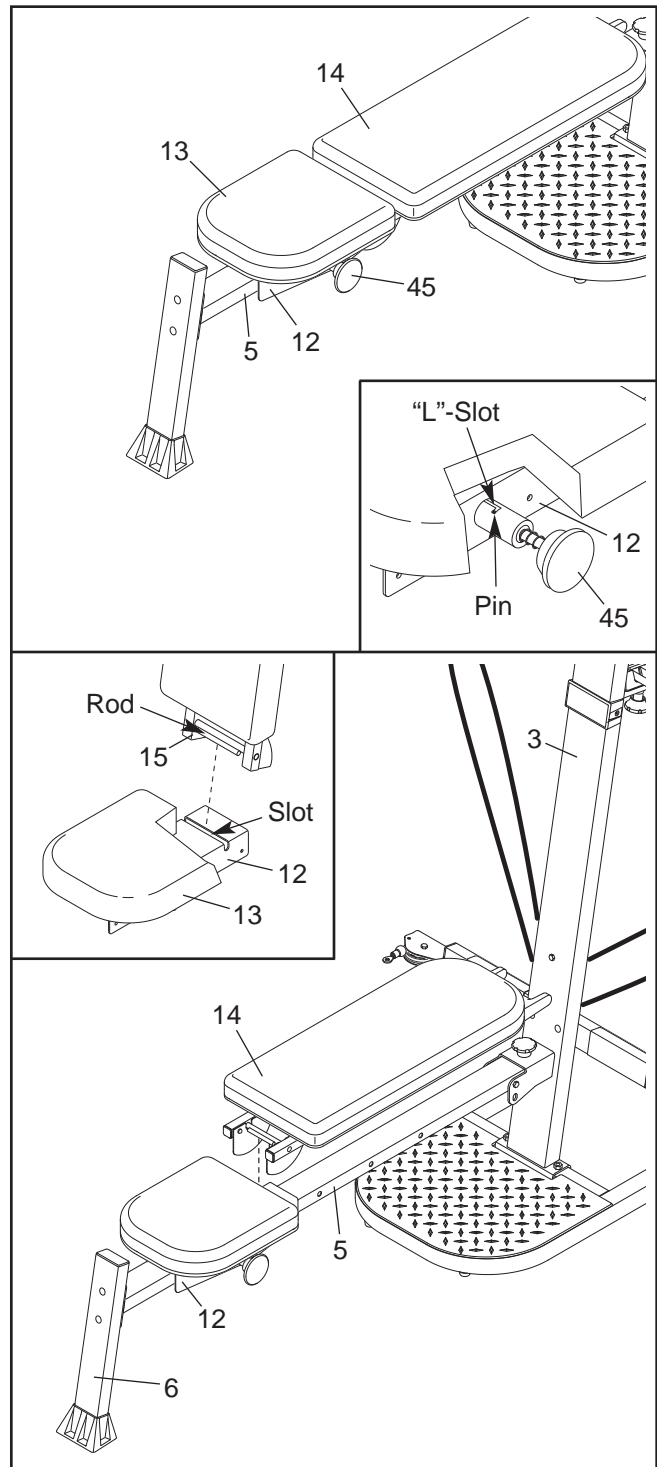
To perform row exercises, the leg press strap must be attached to the long cable (see ATTACHING THE ACCESSORIES, on page 13), and the Seat Carriage (12) must be able to roll along the Bench Rail (5). First, remove the Backrest (14) from the Seat Carriage (see ADJUSTING THE BACKREST, below). Then, pull the Seat Knob (45) out as far as it will go, and turn the Knob so that the pin rests at the end of the "L"-shaped slot (see the inset drawing).

ADJUSTING THE BACKREST

The Backrest (14) can be used in a level position or one of three inclined positions. To use the Backrest in a level position, secure the Seat Carriage (12) to the adjustment hole in the Bench Rail (5) next to the Front Leg (6) (see ADJUSTING THE SEAT, above).

To use the Backrest (14) in an inclined position, secure the Seat Frame (12) to one of the three adjustment holes in the Bench Rail (5) closer to the Upright (3). Rest the Backrest against the Upright.

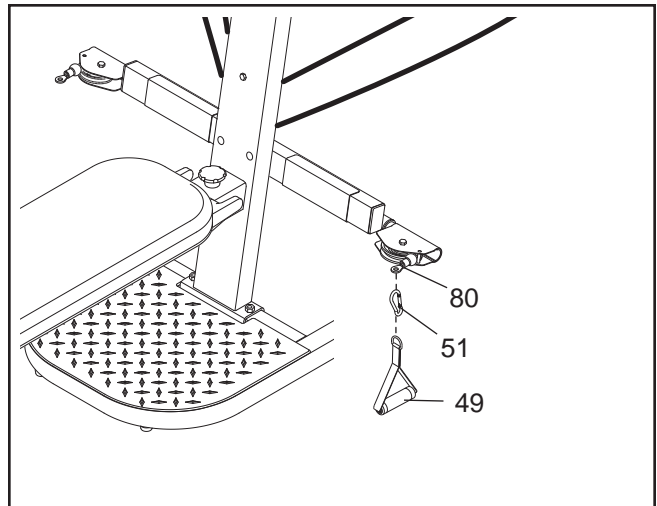
For row exercises, remove the Backrest (14). Hold the Backrest vertically over the Seat (13) and lift the rod out of the slot in the Seat Carriage (12) (see the inset drawing).



ATTACHING THE ACCESSORIES

Attach each Short Handle (49) to the Long Cable (80) with a Cable Clip (51).

The Long Handles (not shown) and the Ankle Strap (not shown) can be attached to the Long Cable (80) with Cable Clips (51). Attach the Leg Press Strap (not shown) to both ends of the Long Cable with two Cable Clips.



ADJUSTING THE RESISTANCE

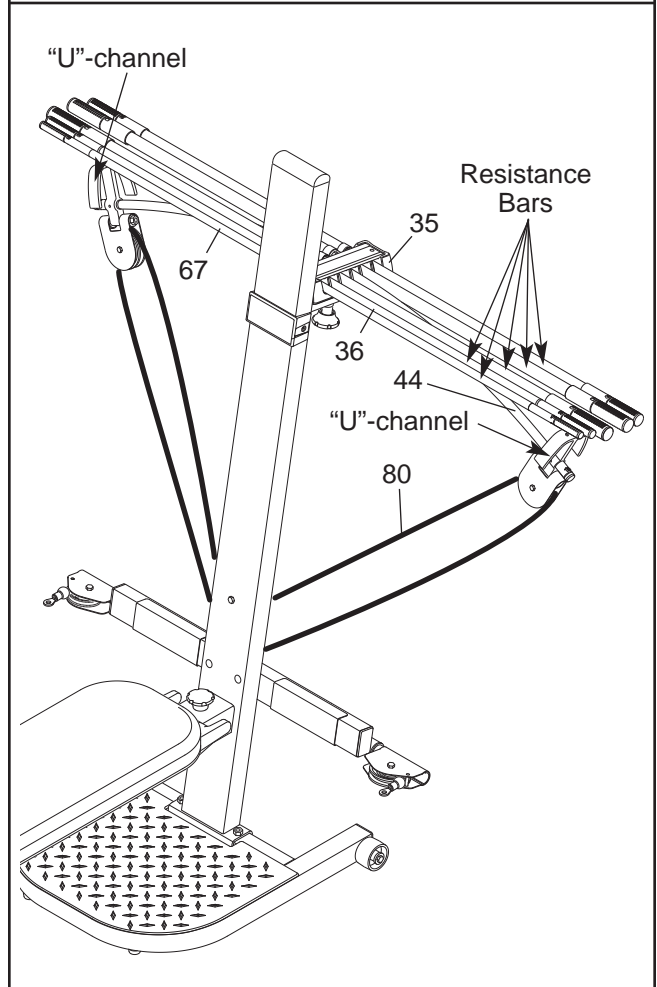
To add resistance, hold a "U"-channel on the 10-pound Center Resistance Bar (44) firmly and push the end of a resistance bar under it. Repeat with the other end of the resistance bar. If more resistance is needed, add one resistance bar at a time.

Note: When adding resistance, always start with the heaviest resistance bar to be used, and finish with the lightest resistance bar. When removing resistance bars from the "U"-channels, start with the lightest resistance bar and finish with the heaviest.

⚠ WARNING: When adding resistance, make sure that both ends of the resistance bar rest under the two "U"-channels. The rings on the Removable Resistance Bars (36, 67) must be pushed against the Tray (35). Do not add or remove resistance bars from the "U"-channels while an end of the Long Cable (80) is pulled out.

Note: The resistance system uses progressive resistance. As the resistance bars begin to bend, the amount of resistance will increase gradually. As the resistance bars bend further, the resistance will increase rapidly.

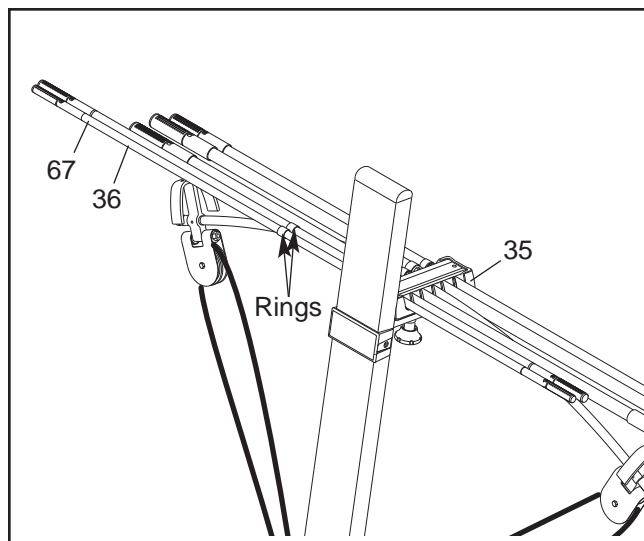
Additional resistance can be added to the resistance system by calling the Customer Service number on the back cover of this manual and asking for model number **WEMC0642** (100-pound Power Pak) or **WEMC0942** (200-pound Power Pak).



USING THE REMOVABLE RESISTANCE BARS

The Removable Resistance Bars (36, 67) can be used to exercise apart from the resistance system, as shown in the video or on the exercise guide. To remove a Resistance Bar, pull it out of the Tray (35).

To replace the Removable Resistance Bars (36, 67), slide them into the Tray (35) from the side shown, so that the arrows on the rings point toward the Tray. **Make sure the rings are pushed against the Tray.**

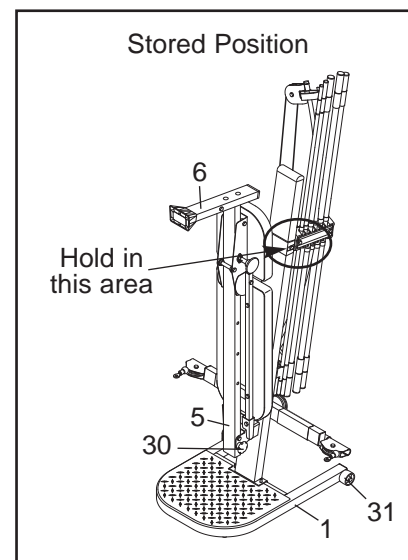
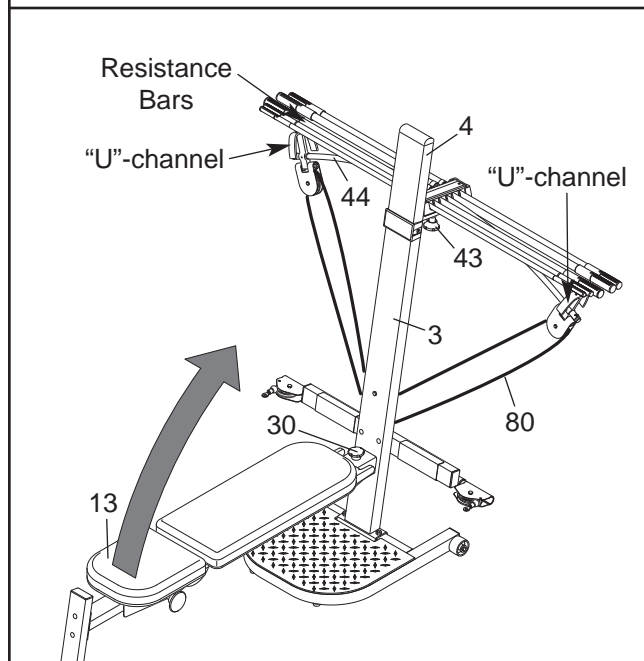


STORING THE RESISTANCE SYSTEM

To store the resistance system, make sure the Seat (13) is in the position closest to the Front Leg (6) (see ADJUSTING THE SEAT on page 12). Next, remove the Storage Knob (30) from the Upright (3). Lift the Front Leg toward the Top Upright (4), and tighten the Storage Knob into the side of the Upright and the Bench Rail (5).

Remove all of the resistance bars from the "U"-channels on the 10-pound Center Resistance Bar (44) (see ADJUSTING THE RESISTANCE on page 13). Finally, loosen the Fulcrum Knob (43) and pull it out as far as it will go. Turn the resistance bar assembly vertically and engage the Fulcrum Knob into the fulcrum on the Top Upright (4). **Note: Storing the resistance bars vertically will prolong the life of the resistance bars.**

To move the resistance system, place the toe of your shoe on the end of the Base (1) and hold the resistance system in the indicated area. Tilt the resistance system back onto the Wheels (31) and roll it to the new location. **Be careful not to let the Front Leg (6) pinch your hands when you tilt the system back.**

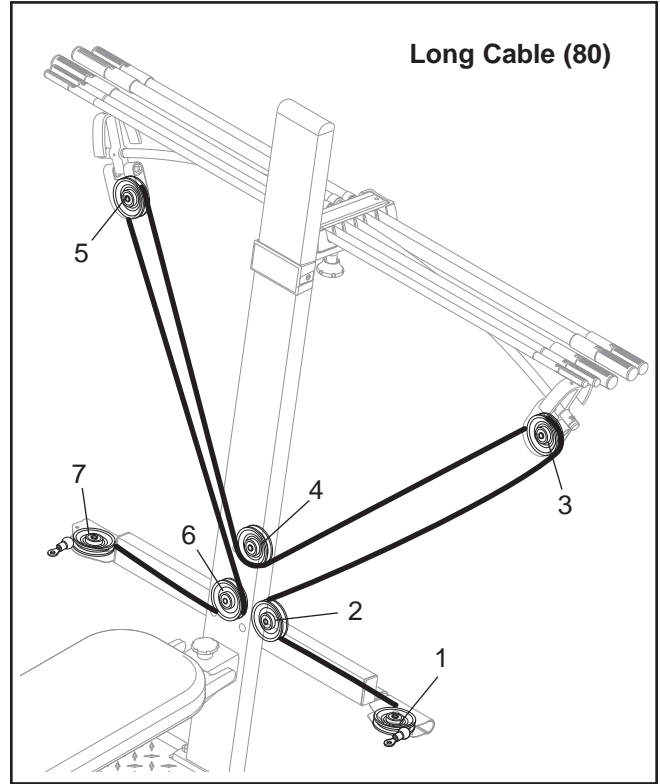


⚠ WARNING: Make sure that all of the resistance bars are removed from the "U"-channels before moving the resistance bar assembly to the stored position.

Make sure that the resistance bar assembly is in the horizontal position, and that the Storage Knob (30) is in place and fully tightened each time the resistance system is used.

CABLE DIAGRAM

The cable diagram shows the proper routing of the Long Cable (80). Use the diagram to make sure that the cable has been assembled correctly. If the cable has not been correctly routed, the resistance system will not function properly and damage may occur. The numbers show the correct route for the cable.



EXERCISE GUIDELINES

THE FOUR BASIC TYPES OF WORKOUTS

Muscle Building

To increase the size and strength of your muscles, push them close to their maximum capacity. Your muscles will continually adapt and grow as you progressively increase the intensity of your exercise. You can adjust the intensity level of an individual exercise in two ways:

- by changing the amount of resistance used
- by changing the number of repetitions or sets performed. (A “repetition” is one complete cycle of an exercise, such as one sit-up. A “set” is a series of repetitions.)

The proper amount of resistance for each exercise depends upon the individual user. You must gauge your limits and select the amount of resistance that is right for you. Begin with 3 sets of 8 repetitions for each exercise you perform. Rest for 3 minutes after each set. When you can complete 3 sets of 12 repetitions without difficulty, increase the amount of resistance.

Toning

You can tone your muscles by pushing them to a moderate percentage of their capacity. Select a moderate amount of resistance and increase the number of repetitions in each set. Complete as many sets of 15 to 20 repetitions as possible without discomfort. Rest for 1 minute after each set. Work your muscles by completing more sets rather than by using high amounts of resistance.

Weight Loss

To lose weight, use a low amount of resistance and increase the number of repetitions in each set. Exercise for 20 to 30 minutes, resting for a maximum of 30 seconds between sets.

Cross Training

Cross training is an efficient way to get a complete and well-balanced fitness program. An example of a balanced program is:

- Plan strength training workouts on Monday, Wednesday, and Friday.
- Plan 20 to 30 minutes of aerobic exercise, such as running on a treadmill or riding on an elliptical or exercise bike, on Tuesday and Thursday.
- Rest from both strength training and aerobic exercise for at least one full day each week to give your body time to regenerate.

The combination of strength training and aerobic exercise will reshape and strengthen your body, plus develop your heart and lungs.

PERSONALIZING YOUR EXERCISE PROGRAM

Determining the exact length of time for each workout, as well as the number of repetitions or sets completed, is an individual matter. It is important to avoid overdoing it during the first few months of your exercise program. You should progress at your own pace and be sensitive to your body’s signals. If you experience pain or dizziness at any time while exercising, stop immediately and begin cooling down. Find out what is wrong before continuing. Remember that adequate rest and a proper diet are important factors in any exercise program.

WARMING UP

Begin each workout with 5 to 10 minutes of stretching and light exercise to warm up. Warming up prepares your body for more strenuous exercise by increasing circulation, raising your body temperature and delivering more oxygen to your muscles.

WORKING OUT

Each workout should include 6 to 10 different exercises. Select exercises for every major muscle group, emphasizing areas that you want to develop most. To give balance and variety to your workouts, vary the exercises from session to session.

Schedule your workouts for the time of day when your energy level is the highest. Each workout should be followed by at least one day of rest. Once you find the schedule that is right for you, stick with it.

EXERCISE FORM

Maintaining proper form is an essential part of an effective exercise program. This requires moving through the full range of motion for each exercise, and moving only the appropriate parts of the body. Exercising in an uncontrolled manner will leave you feeling exhausted. On the exercise guide accompanying this manual you will find photographs showing the correct form for several exercises, and a list of the muscles affected. Refer to the muscle chart on the following page to find the names of the muscles.

The repetitions in each set should be performed smoothly and without pausing. The exertion stage of each repetition should last about half as long as the return stage. Proper breathing is important. Exhale during the exertion stage of each repetition and inhale during the return stroke. Never hold your breath.

Rest for a short period of time after each set. The ideal resting periods are:

- Rest for three minutes after each set for a muscle building workout.
- Rest for one minute after each set for a toning workout.
- Rest for 30 seconds after each set for a weight loss workout.

Plan to spend the first couple of weeks familiarizing yourself with the equipment and learning the proper form for each exercise.

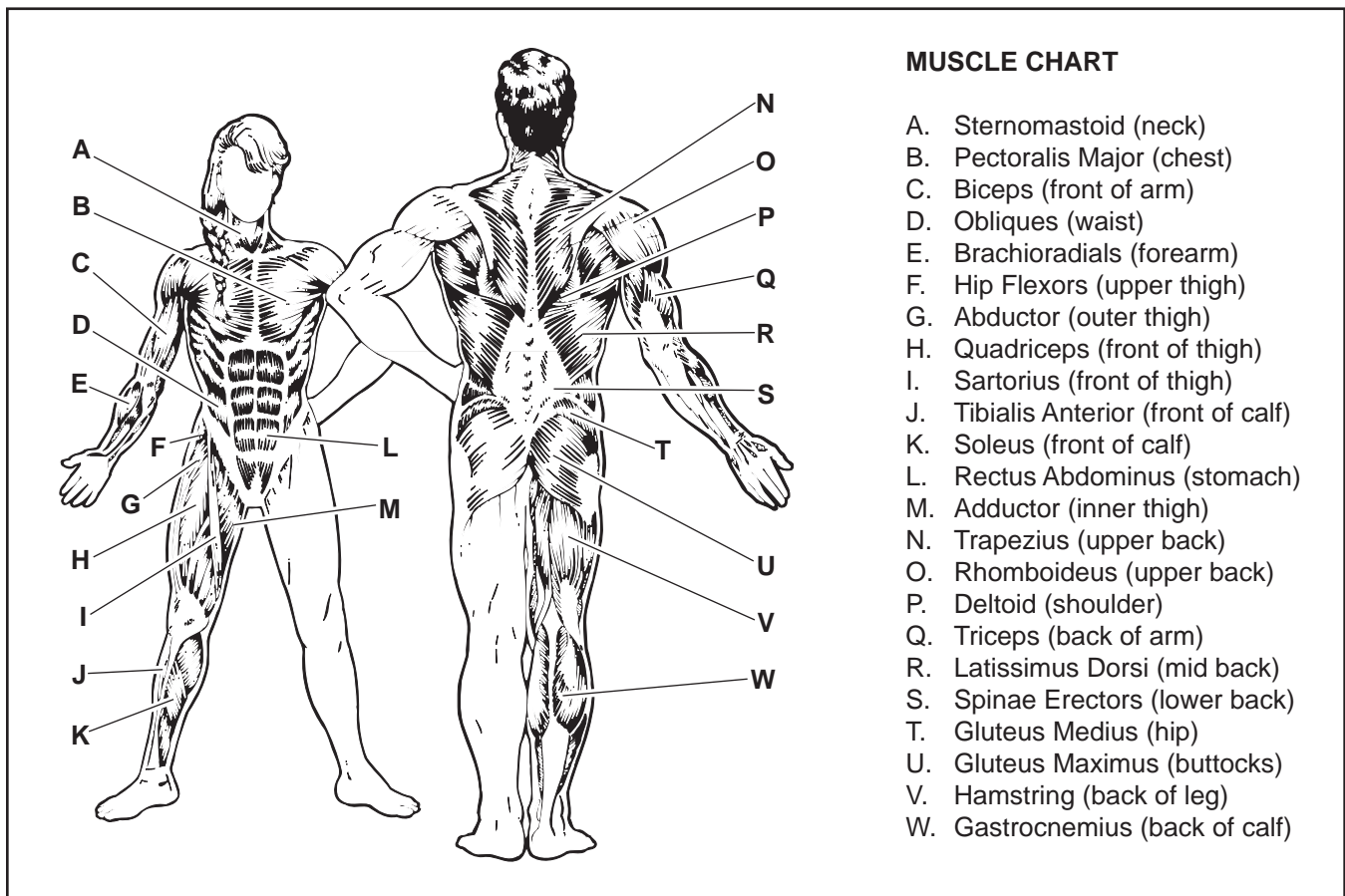
COOLING DOWN

End each workout with 5 to 10 minutes of stretching. Include stretches for both your arms and legs. Move

slowly as you stretch and do not bounce. Ease into each stretch gradually and go only as far as you can without strain. Stretching at the end of each workout is an effective way to increase flexibility.

STAYING MOTIVATED

For motivation, keep a record of each workout. The charts on pages 18 and 19 of this manual can be photocopied and used to schedule and record your workouts. List the date, the exercises performed, the resistance used, and the numbers of sets and repetitions completed. Record your weight and key body measurements at the end of every month. Remember, the key to achieving the greatest results is to make exercise a regular and enjoyable part of your everyday life.



MONDAY	EXERCISE	RESISTANCE	SETS	REPS
Date: _____ / _____ / _____				

TUESDAY AEROBIC EXERCISE

Date: _____ / _____ / _____

WEDNESDAY	EXERCISE	RESISTANCE	SETS	REPS
Date: _____ / _____ / _____				

THURSDAY AEROBIC EXERCISE

Date: _____ / _____ / _____

FRIDAY	EXERCISE	RESISTANCE	SETS	REPS
Date: _____ / _____ / _____				

Make photocopies of this page for scheduling and recording your workouts.

MONDAY	EXERCISE	RESISTANCE	SETS	REPS
Date: _____ / _____ / _____				

TUESDAY AEROBIC EXERCISE

Date: _____ / _____ / _____

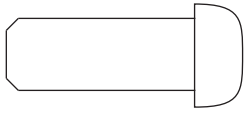
WEDNESDAY	EXERCISE	RESISTANCE	SETS	REPS
Date: _____ / _____ / _____				

THURSDAY AEROBIC EXERCISE

Date: _____ / _____ / _____

FRIDAY	EXERCISE	RESISTANCE	SETS	REPS
Date: _____ / _____ / _____				

Make photocopies of this page for scheduling and recording your workouts.



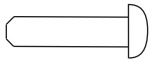
M10 x 25mm Button Head Screw (78)



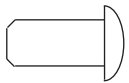
M8 x 19mm Button Head Screw (86)



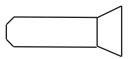
1/4" x 16mm Button Head Screw (82)



M4 x 16mm Screw (62)



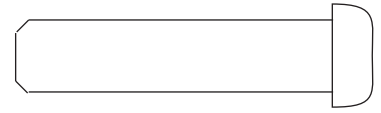
M6 x 13mm Bolt (59)



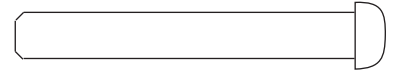
M4 x 12mm Flat Head Screw (85)



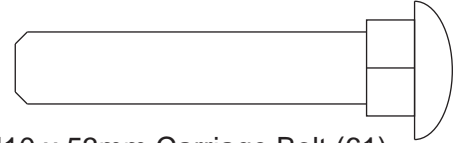
M4 x 5mm Screw (10)



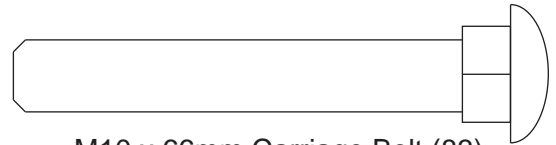
M10 x 42mm Button Head Bolt (71)



1/4" x 45mm Button Head Screw (58)



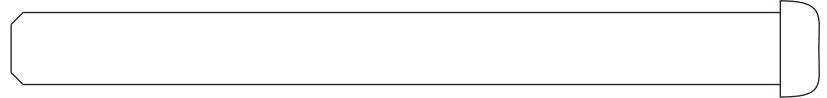
M10 x 53mm Carriage Bolt (61)



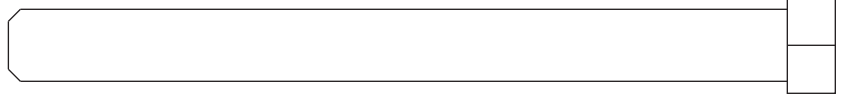
M10 x 66mm Carriage Bolt (83)



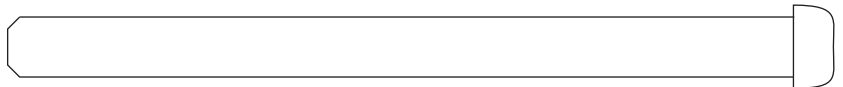
M10 x 72mm Bolt (64)



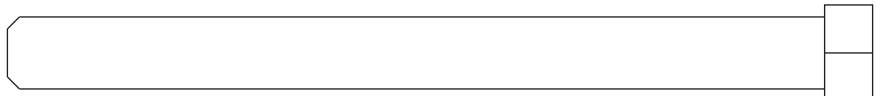
M10 x 102mm Button Head Bolt (24)



M10 x 103mm Bolt (66)



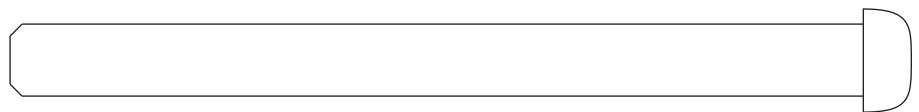
M8 x 104mm Button Head Bolt (60)



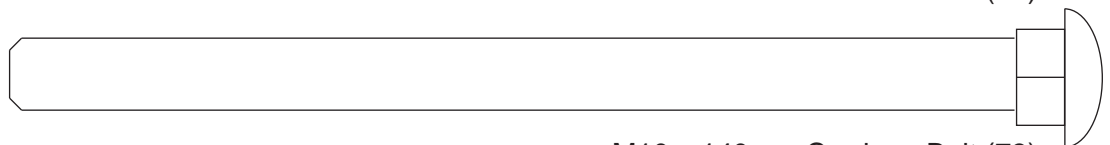
M10 x 108mm Bolt (81)



M8 x 114mm Axle (57)



M10 x 113mm Button Head Bolt (40)



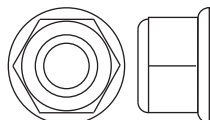
M10 x 140mm Carriage Bolt (73)

PART IDENTIFICATION CHART

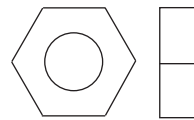
Refer to the drawings below to identify small parts used in assembly. The number in parentheses below each drawing is the key number of the part, from the PART LIST on the reverse side of this page. **Note: Some small parts may have been pre-attached. If a part is not in the parts bag, check to see if it has been pre-attached.**



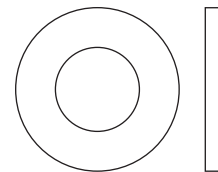
M6 Nylon Locknut (69)



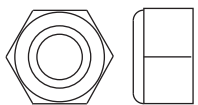
M8 Flange Nut (19)



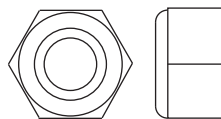
M10 Nut (47)



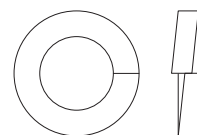
M10 Washer (75)



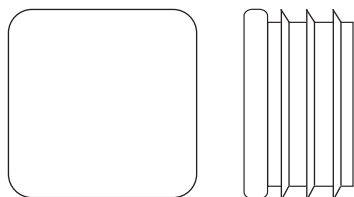
M8 Nylon Locknut (65)



M10 Nylon Locknut (76)



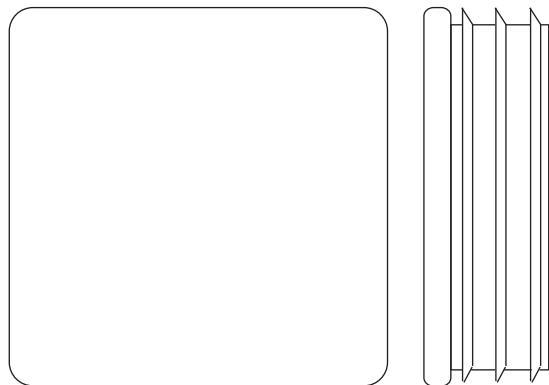
M10 Lock Washer (21)



25mm Square Inner Cap (54)



38mm x 64mm Inner Cap (41)



50mm Square Inner Cap (38)



38mm x 76mm Inner Cap (34)

PART LIST—Model No. WESY38730

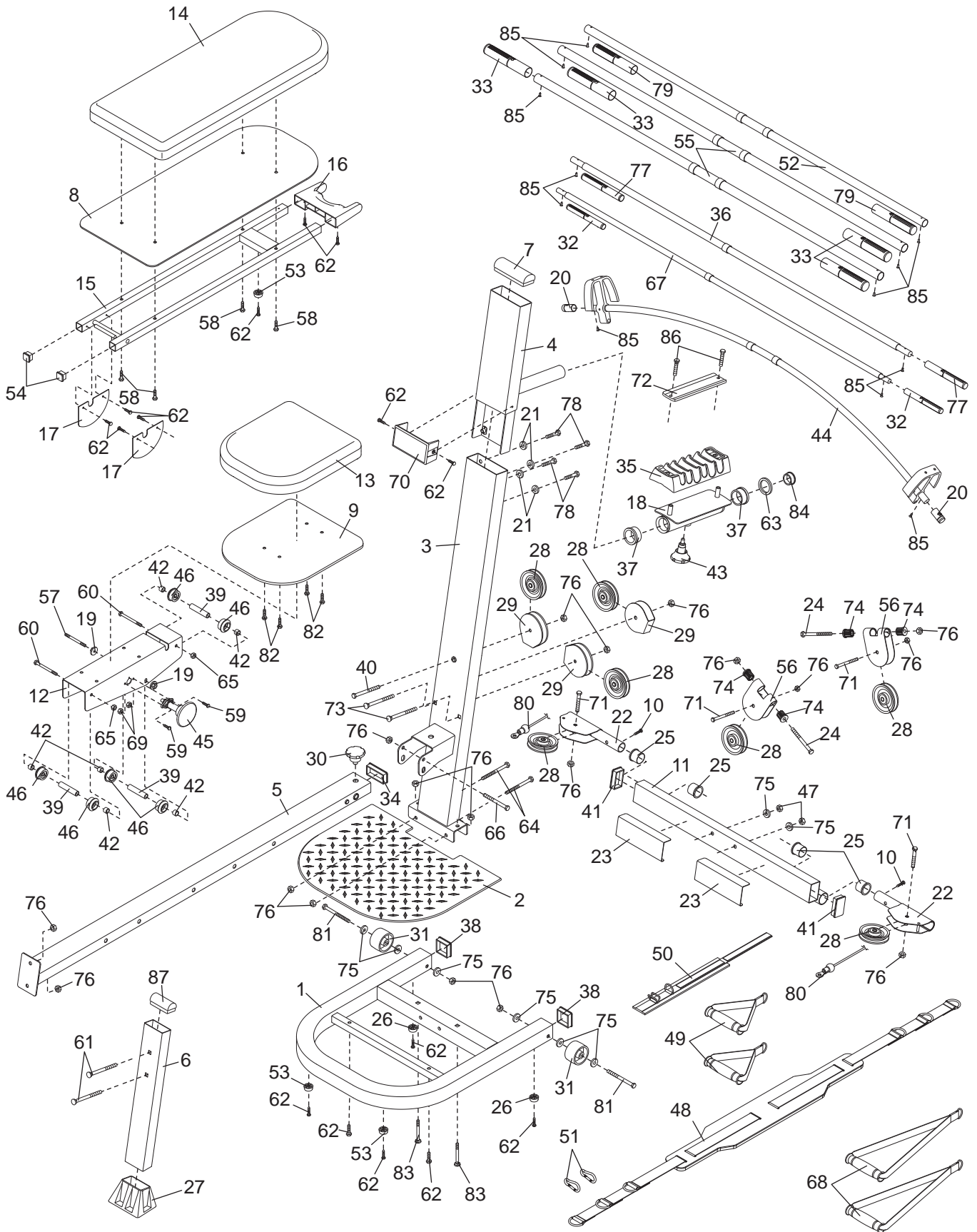
R1104A

Key No.	Qty.	Description	Key No.	Qty.	Description
1	1	Base	47	2	M10 Nut
2	1	Base Plate	48	1	Leg Press Strap
3	1	Upright	49	2	Short Handle
4	1	Top Upright	50	1	Ankle Strap
5	1	Bench Rail	51	2	Cable Clip
6	1	Front Leg	52	1	40-pound Resistance Bar
7	1	Large Dome Cap	53	3	Plastic Foot
8	1	Backrest Backing	54	2	25mm Square Inner Cap
9	1	Seat Backing	55	2	80-pound Resistance Bar
10	2	M4 x 5mm Screw	56	2	Pulley Housing
11	1	Cross Tube	57	1	M8 x 114mm Axle
12	1	Seat Carriage	58	4	1/4" x 45mm Button Head Screw
13	1	Seat	59	2	M6 x 13mm Bolt
14	1	Backrest	60	2	M8 x 104mm Button Head Bolt
15	1	Backrest Frame	61	2	M10 x 53mm Carriage Bolt
16	1	Backrest Cap	62	15	M4 x 16mm Screw
17	2	Guard Plate	63	1	Retainer Ring
18	1	Fulcrum	64	2	M10 x 72mm Bolt
19	2	M8 Flange Nut	65	2	M8 Nylon Locknut
20	2	10-pound Short Cap	66	1	M10 x 103mm Bolt
21	4	M10 Lock Washer	67	1	10-pound Removable Resistance Bar
22	2	Swivel Arm			
23	2	Grip Tape	68	2	Long Handle
24	2	M10 x 102mm Button Head Bolt	69	2	M6 Nylon Locknut
25	4	Arm Bushing	70	1	Name Plate
26	2	Large Plastic Foot	71	4	M10 x 42mm Button Head Bolt
27	1	Front Leg Foot	72	1	Cover Plate
28	7	90mm Pulley	73	2	M10 x 140mm Carriage Bolt
29	3	Pulley Guard	74	4	Pivot Bushing
30	1	Storage Knob	75	8	M10 Washer
31	2	Wheel	76	18	M10 Nylon Locknut
32	2	10-pound Cap	77	2	20-pound Cap
33	4	80-pound Cap	78	4	M10 x 25mm Button Head Screw
34	1	38mm x 76mm Inner Cap	79	2	40-pound Cap
35	1	Tray	80	1	Long Cable
36	1	20-pound Removable Resistance Bar	81	2	M10 x 108mm Bolt
37	2	Fulcrum Bushing	82	4	1/4" x 16mm Button Head Screw
38	2	50mm Square Inner Cap	83	2	M10 x 66mm Carriage Bolt
39	3	60mm Metal Spacer	84	1	Fulcrum Endcap
40	1	M10 x 113mm Button Head Bolt	85	12	M4 x 12mm Flat Head Screw
41	2	38mm x 64mm Inner Cap	86	2	M8 x 19mm Button Head Screw
42	6	8mm Metal Spacer	87	1	38mm x 76mm Dome Cap
43	1	Fulcrum Knob	#	1	User's Manual
44	1	10-pound Center Resistance Bar	#	1	Exercise Guide
45	1	Seat Knob	#	1	Exercise Decal
46	6	Bearing Wheel	#	1	Large Allen Wrench
			#	1	Small Allen Wrench

Note: “#” indicates a non-illustrated part. Specifications are subject to change without notice. See the back cover of the user's manual for information about ordering replacement parts.

EXPLODED DRAWING—Model No. WESY38730

R1104A



ORDERING REPLACEMENT PARTS

To order replacement parts, simply call our Customer Service Department toll-free at 1-877-992-5999, Monday through Friday, 6 a.m. until 6 p.m. Mountain Time (excluding holidays). To help us assist you, please be prepared to give the following information:

- The MODEL NUMBER of the product (WESY38730)
- The NAME of the product (MAX by WEIDER VISION resistance system)
- The SERIAL NUMBER of the product (see the front cover of this manual)
- The KEY NUMBER and DESCRIPTION of the part(s) (see the PART LIST and EXPLODED DRAWING in the center of this manual)

LIMITED WARRANTY

ICON Health & Fitness, Inc. (ICON), warrants this product to be free from defects in workmanship and material, under normal use and service conditions, for a period of five (5) years from the date of purchase. ICON warrants the resistance bars for the lifetime of the product. Shipping of the resistance bars is not covered. Labor is covered for one (1) year. This warranty extends only to the original purchaser. ICON's obligation under this warranty is limited to replacing or repairing, at ICON's option, the product through one of its authorized service centers. All repairs for which warranty claims are made must be pre-authorized by ICON. This warranty does not extend to any product or damage to a product caused by or attributable to freight damage, abuse, misuse, improper or abnormal usage or repairs not provided by an ICON authorized service center; products used for commercial or rental purposes; or products used as store display models. No other warranty beyond that specifically set forth above is authorized by ICON.

ICON is not responsible or liable for indirect, special or consequential damages arising out of or in connection with the use or performance of the product or damages with respect to any economic loss, loss of property, loss of revenues or profits, loss of enjoyment or use, costs of removal or installation or other consequential damages of whatsoever nature. Some states do not allow the exclusion or limitation of incidental or consequential damages. Accordingly, the above limitation may not apply to you.

The warranty extended hereunder is in lieu of any and all other warranties and any implied warranties of merchantability or fitness for a particular purpose is limited in its scope and duration to the terms set forth herein. Some states do not allow limitations on how long an implied warranty lasts. Accordingly, the above limitation may not apply to you.

This warranty gives you specific legal rights. You may also have other rights which vary from state to state.

ICON HEALTH & FITNESS, INC., 1500 S. 1000 W., LOGAN, UT 84321-9813

Free Manuals Download Website

<http://myh66.com>

<http://usermanuals.us>

<http://www.somanuals.com>

<http://www.4manuals.cc>

<http://www.manual-lib.com>

<http://www.404manual.com>

<http://www.luxmanual.com>

<http://aubethermostatmanual.com>

Golf course search by state

<http://golfingnear.com>

Email search by domain

<http://emailbydomain.com>

Auto manuals search

<http://auto.somanuals.com>

TV manuals search

<http://tv.somanuals.com>