

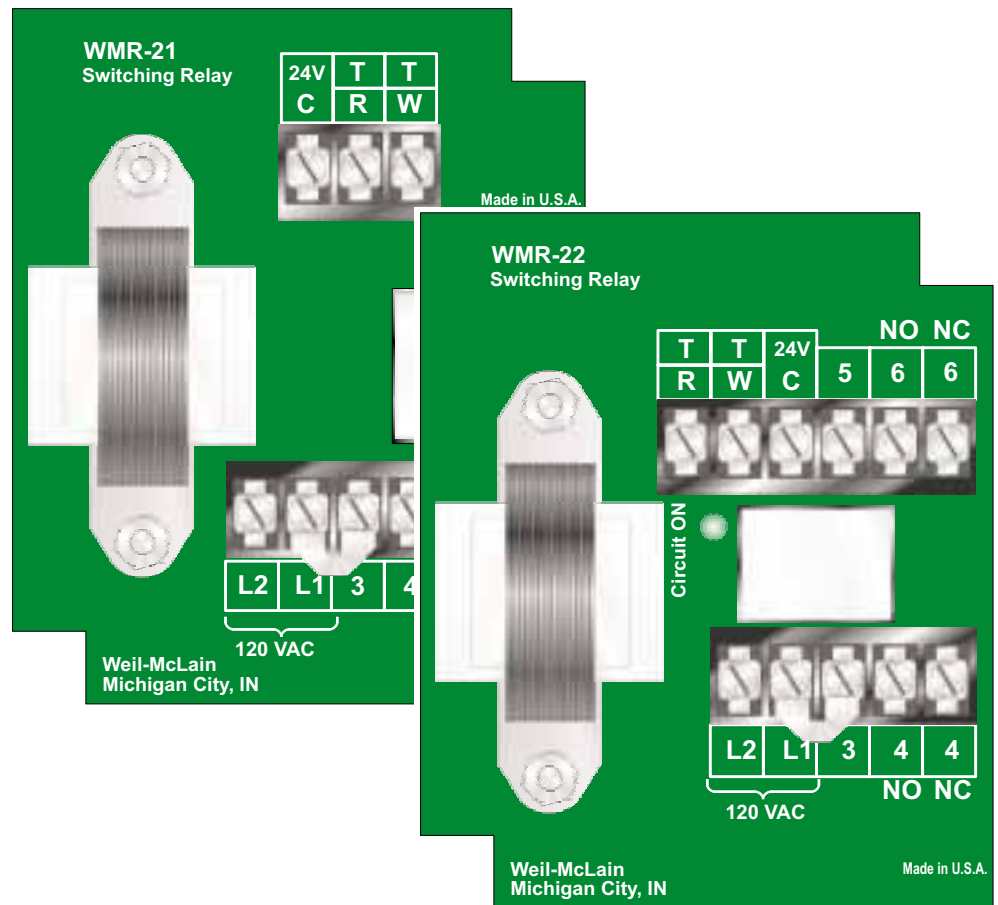


WMMR

Switching Relays

Instruction manual

- **WMMR-21** DPST (Double-pole/single throw)
- **WMMR-22** DPDT (Double-pole/double throw)



WARNING

This manual must only be used by a **qualified heating installer/service technician**. Failure to comply could result in severe personal injury, death or substantial property damage.



Contents	Hazard definitions and “To the installer”	2
	Specifications and replacement parts	2
	WMR-21 layout, schematic diagram and cross reference table	3
	WMR-22 layout, schematic diagram and cross reference table	3
	WMR-21 and WMR-22 General wiring	4
	WMR-21 Typical application wiring	4

Hazard definitions

- DANGER** Indicates presence of hazards that **will cause** severe personal injury, death or substantial property damage.
- WARNING** Indicates presence of hazards that **can cause** severe personal injury, death or substantial property damage.
- CAUTION** Indicates presence of hazards that **will or can cause** minor personal injury or property damage.
- NOTICE** Indicates special instructions on installation, operation or maintenance that are important but not related to personal injury or property damage.

To the installer

- WARNING** Electrical shock hazard — Disconnect power before installing or servicing. Can cause severe personal injury, death or substantial property damage if ignored.
- WARNING** To avoid severe personal injury, death or substantial property damage, never connect the load terminals to a load that takes more current than the amount listed for the relay in the electrical ratings.
- WARNING** Use copper wire only. Use of any other type of wire could cause a fire hazard resulting in severe personal injury, death or substantial property damage.
- NOTICE** All wiring must be installed in accordance with:
 - U.S.A.** — National Electrical Code and any other national, state or local code requirements. Wiring must be N.E.C. Class 1.
 - Canada** — C.S.A. C22.1 Canadian Electrical Code Part 1 and any other national, provincial or local code requirements. Wiring must be C.S.A. C22.1 C.E.C. Part 1.

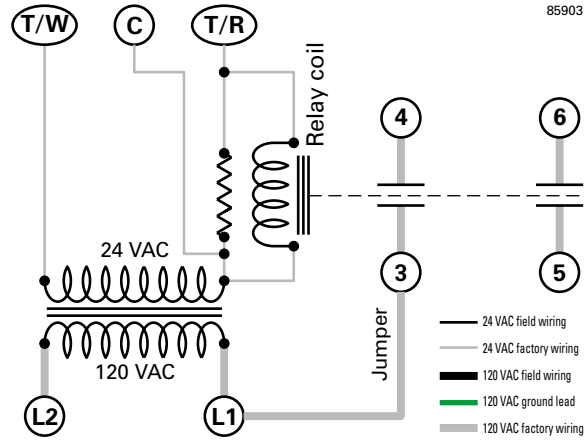
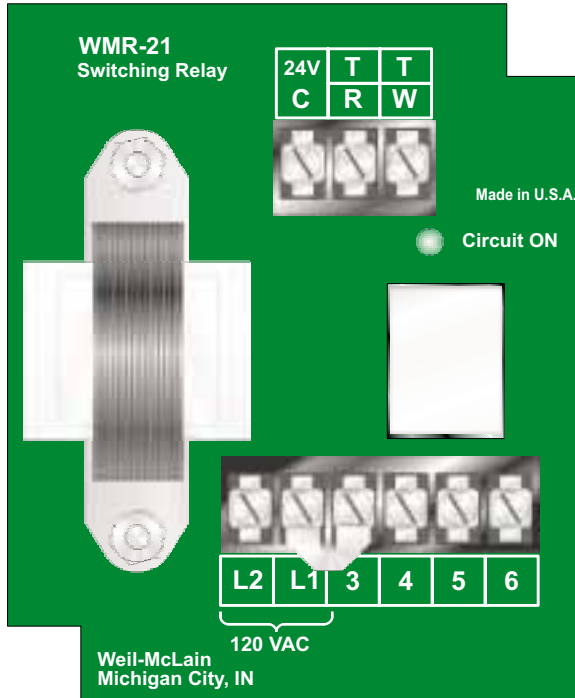
Specifications

Weil-McLain model number	Transformer voltage	Switching action	Thermostat current amps	Single-phase motor rating	
				120 VAC	240 VAC
WMR-21	120 V 60 HZ 15 VA	DPST	.18	10 A, 1/3 HP	10 A, 1/2 HP
WMR-22	120 V 60 HZ 15 VA	DPDT	.18	10 A, 1/3 HP	10 A, 1/2 HP

Replacement parts

Part description	Weil-McLain part number
Plug-in relay (24 VAC coil)	510-311-021

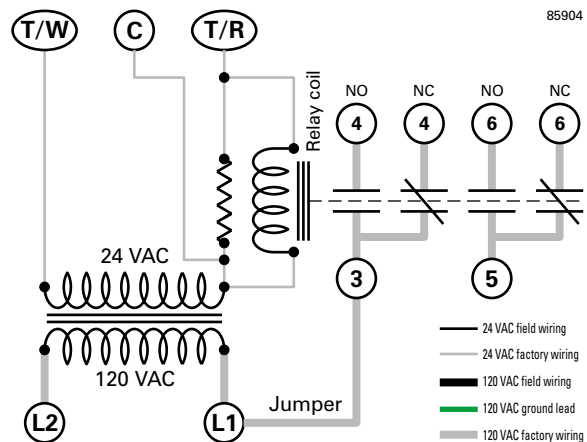
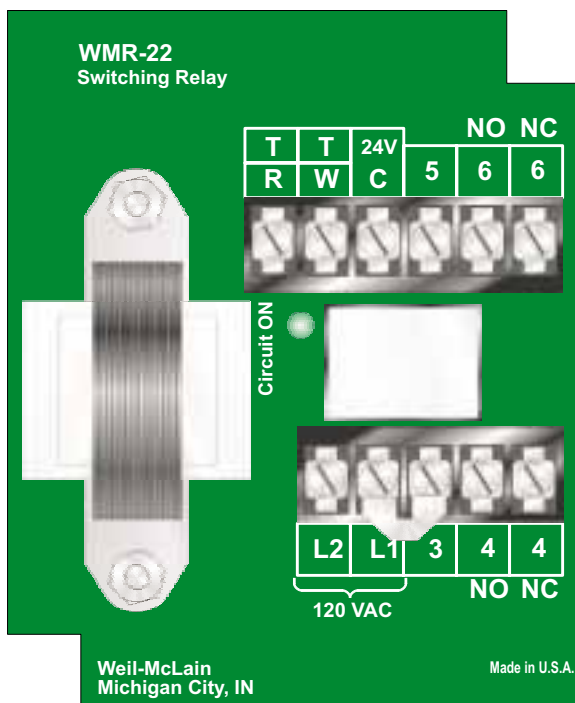
WMR-21 — Double pole/single throw switching relay



WMR-21 cross reference table

Weil-McLain	Argo	Honeywell	Taco	White-Rodgers
WMR-21	AR821	RA 89A	SR501	809A-189
WMR-21	AR821	RA 832A	SR501	829A-832
WMR-21	AR821	R 845A	SR501	829A-845

WMR-22 — Double pole/double throw switching relay



WMR-22 cross reference table

Weil-McLain	Argo	Taco
WMR-22	AR822	SR501



WMR-21 and WMR-22

General wiring

WMR-21 — Typical application

Add circulator to L8124A or C aquastat/relay

WARNING

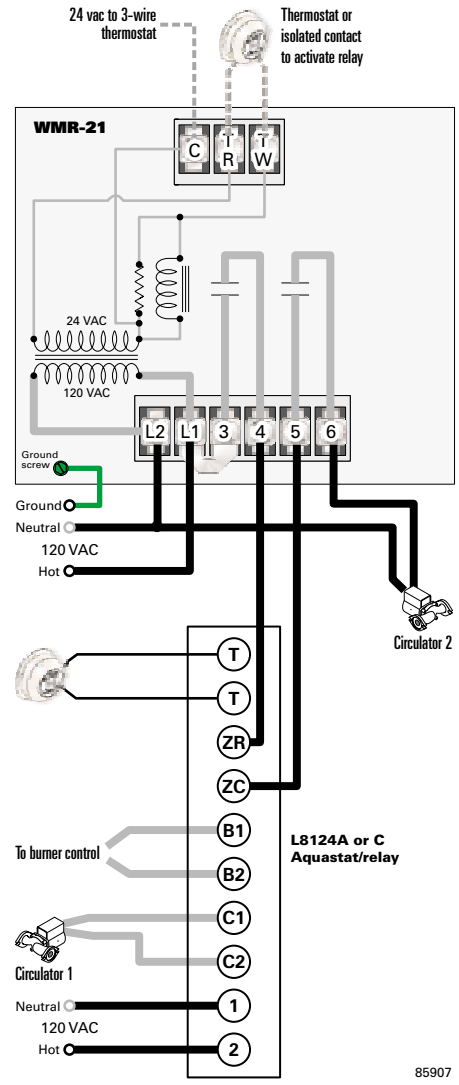
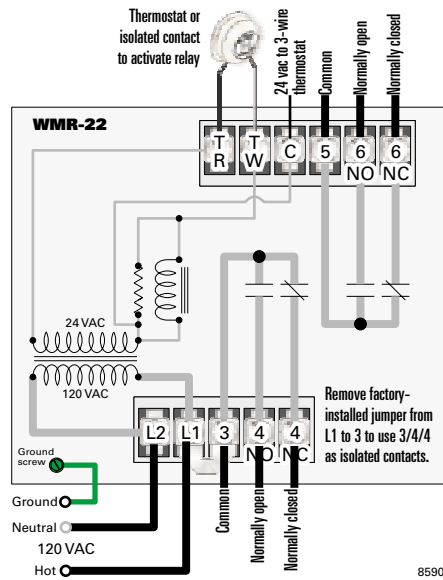
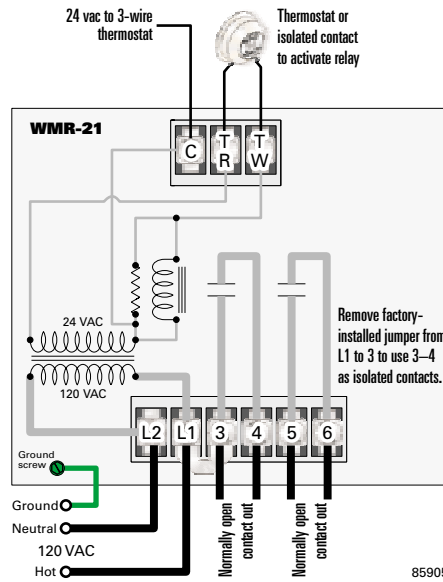
Electrical shock hazard — Disconnect power before installing or servicing. Can cause severe personal injury, death or substantial property damage if ignored.

NOTICE

All wiring must be installed in accordance with:

U.S.A. — National Electrical Code and any other national, state or local code requirements. Wiring must be N.E.C. Class 1.

Canada — C.S.A. C22.1 Canadian Electrical Code Part 1 and any other national, provincial or local code requirements. Wiring must be C.S.A. C22.1 C.E.C. Part 1.



Legend

- 120 VAC field wiring
- 24 VAC field wiring
- 120 VAC ground lead
- 24 VAC factory wiring
- 120 VAC factory wiring



WEIL-McLAIN
A United Dominion Company

Weil-McLain
500 Blaine Street
Michigan City, IN 46360-2388
<http://www.weil-mclain.com>

Free Manuals Download Website

<http://myh66.com>

<http://usermanuals.us>

<http://www.somanuals.com>

<http://www.4manuals.cc>

<http://www.manual-lib.com>

<http://www.404manual.com>

<http://www.luxmanual.com>

<http://aubethermostatmanual.com>

Golf course search by state

<http://golfingnear.com>

Email search by domain

<http://emailbydomain.com>

Auto manuals search

<http://auto.somanuals.com>

TV manuals search

<http://tv.somanuals.com>