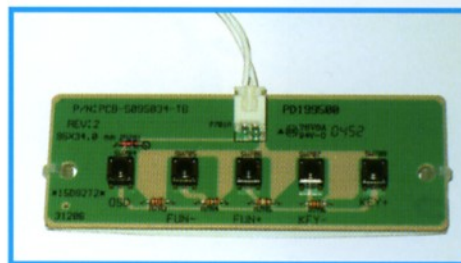




Digital Monitor



Push Button Control Board

Power Input

- Input voltage: 90-265 VAC, 47-63Hz;
- Maximum power: 80 watts typical
95 watts Max

Resolution

16 factory preset formats

- Graphics modes:
CGA: 640 X 240
EGA: 773 X 381
VGA: 640 X 200, 640 X 350,
640 X 480
SVGA: 800 X 600, 1024 X 768
(Optional) or custom customer modes.
- Video bandwidth: 70 MHz typical.

Miscellaneous

- 105 Degree C. Capacitors for long life and reliability.
- Operating temperature: 0 to 55 degree C.
- Agency compliance: UL, CSA, DHHS, TUV, CE.

Specification

- CRT size (diagonal measure): 19" Standard Curved
- Phosphor type: P22
- Color Temperature: 9300°K /6500K +/- 300°K/User Adjustable
- Dot trio spacing: 0.81 mm

Input Signals

- Video Input connector 1: 15 pin D-sub high density male;
- VGA compatible Analog .7 to 1volt level with 75 Ohm input
- Video Input connector 2: Analog 2.2 to 4 volt level at 250/350 Ohm
- Sync type: Standard CGA/EGA/VGA/XGA sync (positive or negative)
- Sync input: Separate or composite sync from 1 volt to 5 volt input.
- Horizontal sync frequency: 15.75 to 48 KHz
- Vertical sync frequency: 40 to 160 Hz

Light Output

- 70 Ft-L min. (center block)

Geometry

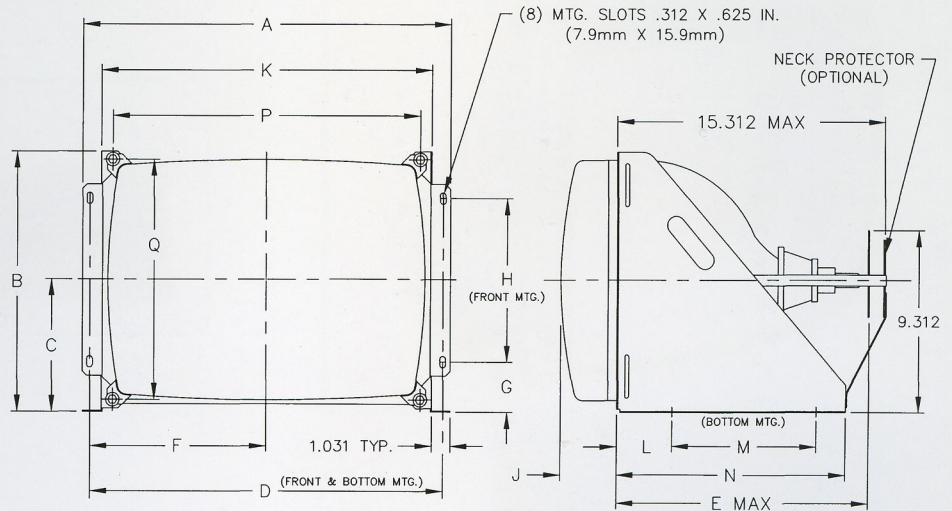
- Horizontal linearity: Less than 5%
- Vertical linearity: Less Than 5%
- Picture size regulation: 2%
- Geometric distortion: +/- 2% max.

User Controls

- Brightness, contrast, horizontal size, horizontal position vertical size, vertical position, pin cushion, trapezoid, parallelogram, pin balance, color temperature, recall (factory reset), language menu.
- Tilt, OSD menu
- Automatic Degauss: Manual Degauss, OSD menu

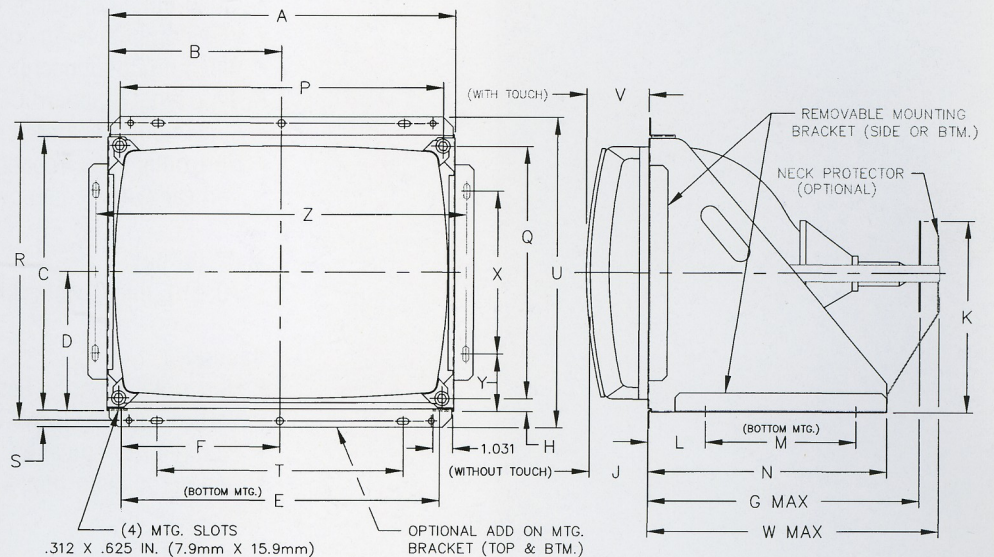
19" Color Monitor H0

DIM.	IN.	MM.
A	20.402	518.21
B	14.281	362.74
C	7.255	184.28
D	19.590	497.59
E	14.531	369.09
F	9.795	248.79
G	2.750	69.85
H	9.000	228.60
J	3.060	77.72
K	18.340	465.84
L	3.063	77.80
M	8.000	203.20
N	12.687	322.25
P	17.090	434.09
Q	13.266	336.96



19" Digital Monitor M2

DIM.	IN.	MM.
A	18.340	465.84
B	9.170	232.92
C	14.343	364.31
D	7.255	184.28
E	16.971	431.06
F	8.485	215.53
G	14.531	369.09
H	.622	15.80
J	3.091	78.51
K	9.81	249.17
L	3.063	77.80
M	8.000	203.20
N	12.687	322.25
P	17.090	434.09
Q	13.260	336.80
R	15.740	399.80
S	.968	24.59
T	12.843	326.21
U	16.440	417.58
V	3.281	83.34
W	15.280	388.11
X	8.500	215.90
Y	2.890	73.41
Z	19.593	497.66



Dimensions shown are for reference only. Specifications subject to change without notice.

Free Manuals Download Website

<http://myh66.com>

<http://usermanuals.us>

<http://www.somanuals.com>

<http://www.4manuals.cc>

<http://www.manual-lib.com>

<http://www.404manual.com>

<http://www.luxmanual.com>

<http://aubethermostatmanual.com>

Golf course search by state

<http://golfingnear.com>

Email search by domain

<http://emailbydomain.com>

Auto manuals search

<http://auto.somanuals.com>

TV manuals search

<http://tv.somanuals.com>