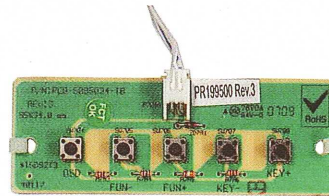


# D9600 Series

# Monitor Specifications



## Digital Monitor



## Push Button Control Board



## On-Screen Display

### Power Input

- Input voltage:  
90-264 VAC, 50-60 Hz; no isolation transformer required.
- Maximum power: 110 watts typ.

### Resolution

- Graphics modes:  
VGA: 640 X 200, 640 X 350,  
640 X 480  
SVGA: 800 X 600, 1024 X 768  
XGA: 1280 X 1024
- Video bandwidth 50 MHz typ.

### Miscellaneous

- Operating temperature:  
0 to 55 degree C.
- Agency compliance:  
UL (US-Canada, UL60950), CB,  
DHHS, CE, RoHS

### Specification

- CRT size (diagonal measure): 18" SemiFlat, 18" SuperFlat
- Phosphor type: P22
- Color Temperature: 9300°K +/- 500°K, 8500°K +/- 500°K or user controlled
- Dot trio spacing: 0.26 mm

### Input Signals

- Input connector 15 pin D-sub high density male; VGA compatible
- Video type: RGB analog
- Video input impedance: 75 Ohm; other impedance optional
- Video level: 0.7 volts peak-to-peak; other levels optional
- Sync type: Standard VGA/SVGA TTL sync (positive or negative)
- Sync input impedance: >1K Ohm (H sync and V sync)
- Horizontal sync frequency: 30 to 70 KHz
- Vertical sync frequency: 40 to 120 Hz

### Light Output

- 50 Ft-L min. (center block)

### Geometry

- Horizontal linearity: ±7%
- Vertical linearity: ±5%
- Picture size regulation: 2%
- Geometric distortion: ±2% max

### User Controls

- I<sup>2</sup>C bus remote controls: Brightness, contrast, horizontal size, horizontal position, vertical size, vertical position, pin cushion, trapezoid, parallelogram, pin balance, color temperature, recall (factory reset), language menu, manual degauss, tilt/rotation control
- Internal controls: Focus, G2 (screen)

9500 W. 55th Street, Suite A  
McCook, IL 60525  
Tel: 708-290-2100 • 800-336-6630  
Fax: 708-290-2200  
www.wellsgardner.com



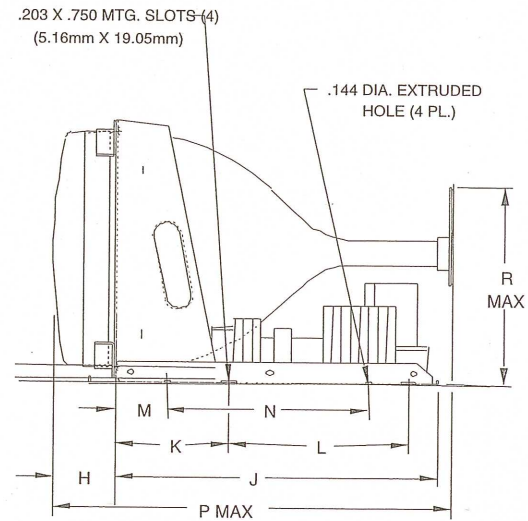
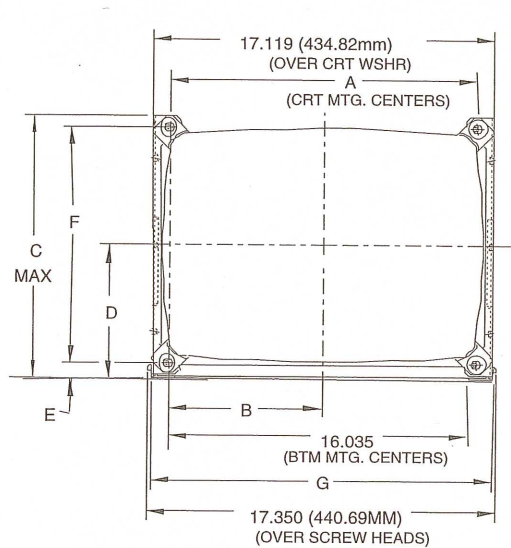
**WELLS-GARDNER**  
ELECTRONICS CORPORATION

# D9600 Series

# Monitor Specifications

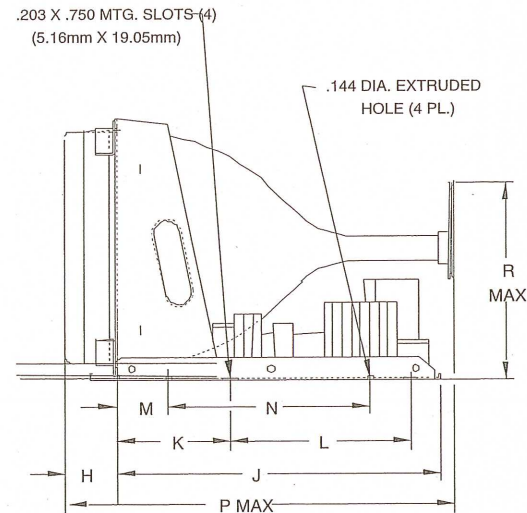
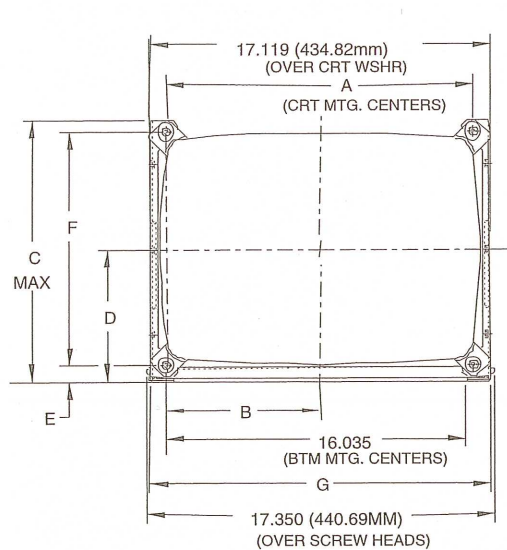
## 18" Digital Monitor Semi-Flat

DIM.	IN.	MM.
A	16.063	408.02
B	8.0315	204.01
C	13.562	344.47
D	6.824	173.33
E	.472	12.00
F	12.703	322.66
G	17.187	436.55
H	1.689	42.89
J	13.440	341.38
K	5.968	151.59
L	5.516	140.10
M	1.547	39.29
N	9.546	242.47
P	15.500	393.70
R	7.875	200.02



## 18" Digital Monitor Super-Flat

DIM.	IN.	MM.
A	16.063	408.02
B	8.0315	204.01
C	13.562	344.47
D	6.824	173.33
E	.472	12.00
F	12.703	322.66
G	17.187	436.55
H	1.625	41.27
J	13.440	341.38
K	5.968	151.59
L	5.516	140.10
M	1.547	39.29
N	9.546	242.47
P	17.230	437.70
R	7.875	200.02



Dimensions shown are for reference only. Specifications subject to change without notice.

9500 W. 55th Street, Suite A  
 McCook, IL 60525  
 Tel: 708-290-2100 • 800-336-6630  
 Fax: 708-290-2200  
[www.wellsgardner.com](http://www.wellsgardner.com)



**WELLS-GARDNER**  
 ELECTRONICS CORPORATION

## Free Manuals Download Website

<http://myh66.com>

<http://usermanuals.us>

<http://www.somanuals.com>

<http://www.4manuals.cc>

<http://www.manual-lib.com>

<http://www.404manual.com>

<http://www.luxmanual.com>

<http://aubethermostatmanual.com>

Golf course search by state

<http://golfingnear.com>

Email search by domain

<http://emailbydomain.com>

Auto manuals search

<http://auto.somanuals.com>

TV manuals search

<http://tv.somanuals.com>