

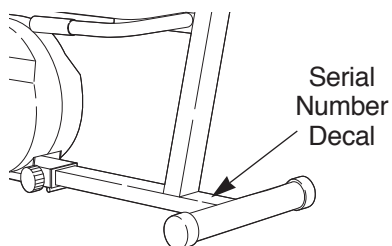
WESLO®

pursuit 719

Model No. WLEX14000

Serial No. _____

Write the serial number in the space above for reference.



USER'S MANUAL

QUESTIONS?

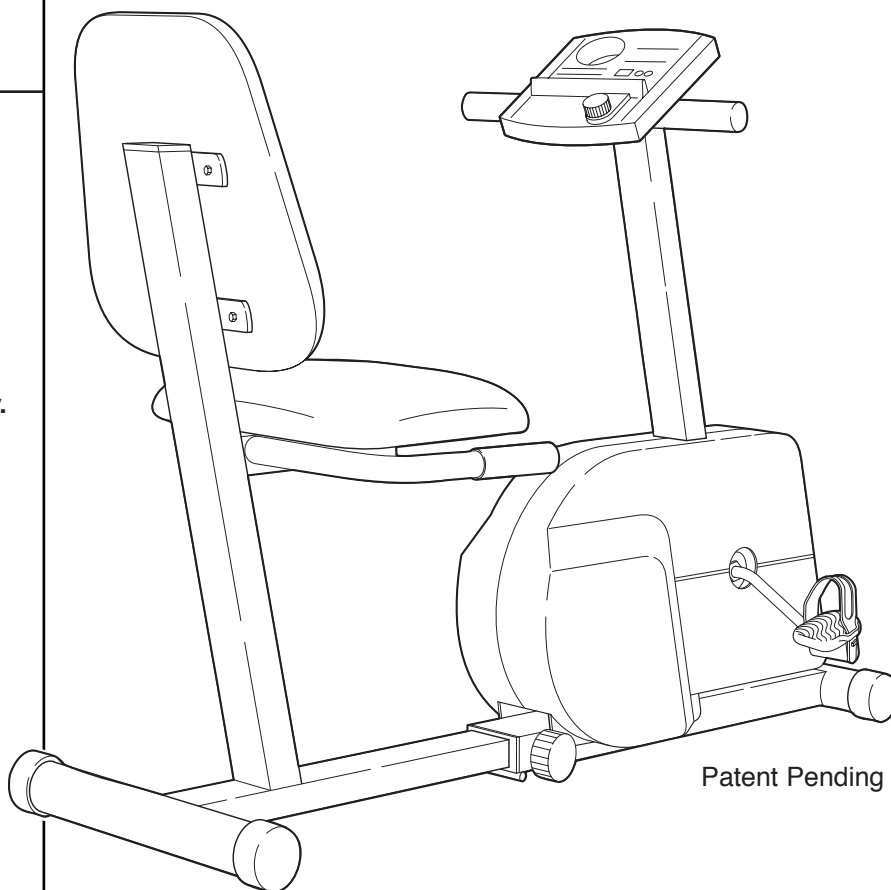
As a manufacturer, we are committed to providing complete customer satisfaction. If you have questions, or if there are missing parts, we will guarantee complete satisfaction through direct assistance from our factory.

TO AVOID UNNECESSARY DELAYS, PLEASE CALL DIRECT TO OUR TOLL-FREE CUSTOMER HOT LINE. The trained technicians on our customer hot line will provide immediate assistance, free of charge to you.

CUSTOMER HOT LINE:

1-800-999-3756

Mon.-Fri., 6 a.m.-6 p.m. MST



CAUTION

Read all precautions and instructions in this manual before using this equipment. Keep this manual for future reference.



Visit our website at

www.weslo.com

new products, prizes,
fitness tips, and much more!

WESLO®



TABLE OF CONTENTS

IMPORTANT PRECAUTIONS3
BEFORE YOU BEGIN4
ASSEMBLY5
HOW TO USE THE EXERCISE CYCLE9
MAINTENANCE AND STORAGE11
CONDITIONING GUIDELINES12
PART LIST14
EXPLODED DRAWING15
ORDERING REPLACEMENT PARTSBack Cover
LIMITED WARRANTYBack Cover

IMPORTANT PRECAUTIONS

⚠ WARNING: To reduce the risk of serious injury, read the following important precautions before using the WESLO® PURSUIT 719.

1. Read all instructions in this manual before using the exercise cycle.
2. It is the responsibility of the owner to ensure that all users of the exercise cycle are adequately informed of all precautions. Use the exercise cycle only as described in this manual.
3. Use the exercise cycle indoors on a level surface. Keep the exercise cycle away from moisture and dust. Place a mat under the exercise cycle to protect the floor or carpet.
4. Inspect and tighten all parts regularly. Replace any worn parts immediately.
5. Keep children under the age of 12 and pets away from the exercise cycle at all times.
6. The exercise cycle should not be used by persons weighing more than 250 pounds.
7. Wear appropriate clothing when exercising; do not wear loose clothing that could become caught on the exercise cycle. Always wear athletic shoes when using the exercise cycle.
8. Always keep your back straight when using the exercise cycle. Do not arch your back.
9. If you feel pain or dizziness while exercising, stop immediately and begin cooling down.
10. The pulse sensor is not a medical device. Various factors, including the user's movement, may affect the accuracy of heart rate readings. The pulse sensor is intended only as an exercise aid in determining heart rate trends in general.
11. The exercise cycle is intended for in-home use only. Do not use the exercise cycles in a commercial, rental, or institutional setting.
12. The recumbent cycle does not have a free-wheel; the pedals will continue to move until the flywheel stops.

⚠ WARNING: Before beginning this or any exercise program, consult your physician. This is especially important for persons over the age of 35 or persons with pre-existing health problems. Read all instructions before using. ICON assumes no responsibility for personal injury or property damage sustained by or through the use of this product.

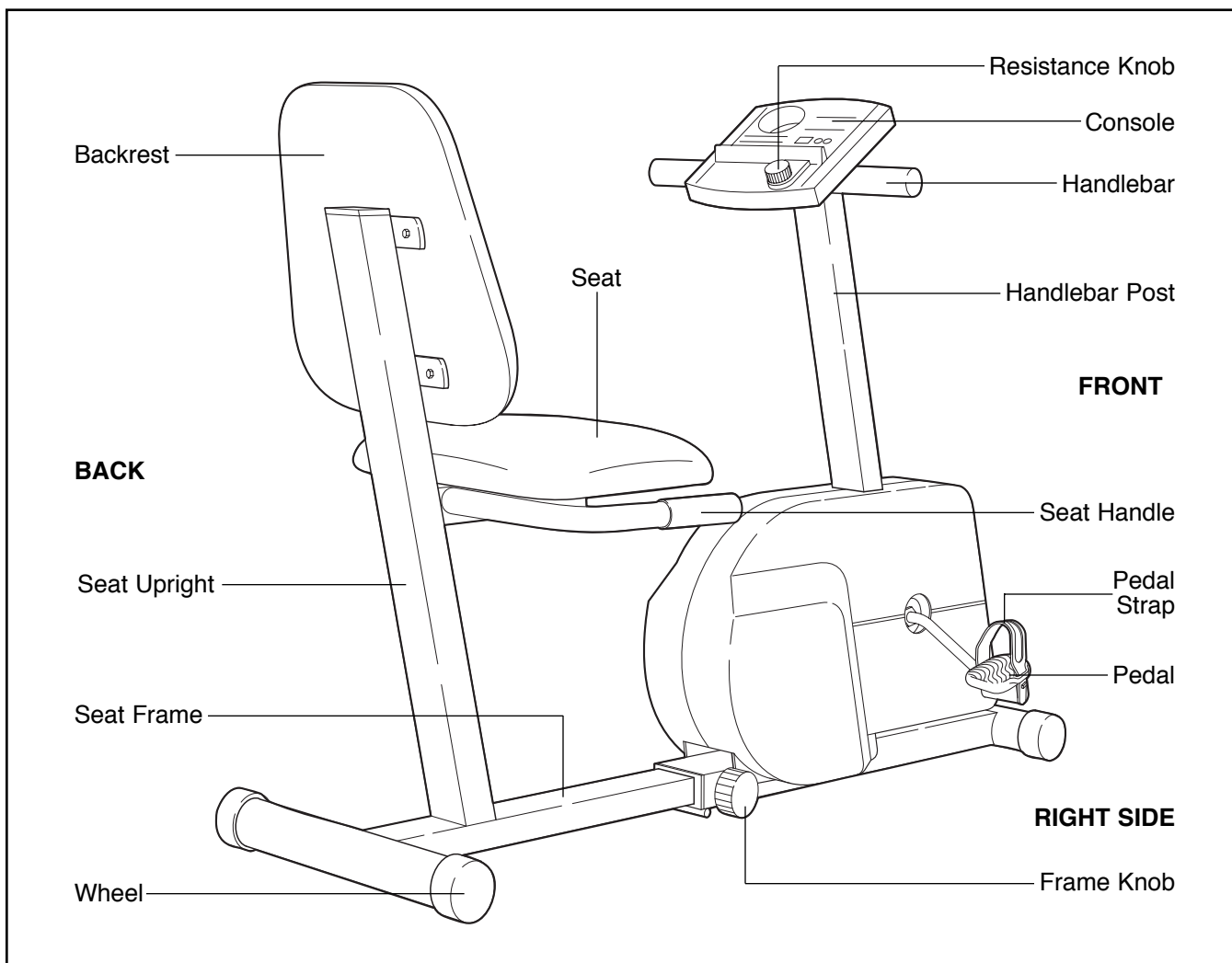
BEFORE YOU BEGIN

Thank you for selecting the innovative WESLO® PURSUIT 719 exercise cycle. The PURSUIT 719 offers an effective form of low-impact exercise that offers greater cardiovascular benefits and increased muscle toning. And the PURSUIT 719 features adjustable resistance to let you tailor your exercise to the level that's perfect for you.

For your benefit, read this manual carefully before you use the PURSUIT 719. If you have additional questions, please call our Customer Service

Department toll-free at 1-800-999-3756, Monday through Friday, 6 a.m. until 6 p.m. Mountain Time (excluding holidays). To help us assist you, please mention the product model number and serial number when calling. The model number is WLEX14000. The serial number can be found on a decal attached to the exercise cycle (see the front cover of this manual for the location of the decal).

Before reading further, please familiarize yourself with the parts that are labeled in the drawing below.



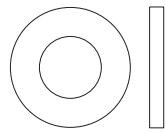
ASSEMBLY

Place all parts of the exercise cycle in a cleared area and remove the packing materials. **Do not dispose of the packing materials until assembly is completed.**

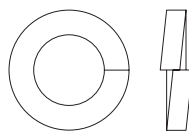
Assembly requires the included tools and your own adjustable wrench  and phillips screwdriver .

PART CHART

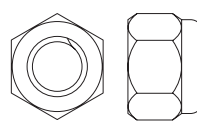
Use the drawings below to identify the small parts used in assembly. The number in parenthesis below each drawing refers to the key number of the part, from the PART LIST on page 14; the second number refers to the quantity needed for assembly. **Note: Some small parts may have been pre-attached for shipping. If a part is not in the parts bag, check to see if it has been pre-assembled.**



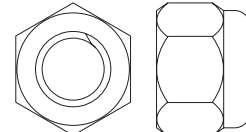
M8 Flat Washer (51)–8



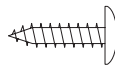
M10 Split Washer (54)–3



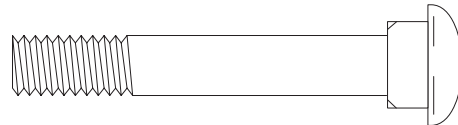
M8 Nylon Locknut (55)–8



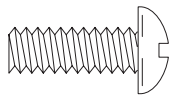
M10 Nylon Locknut (26)–4



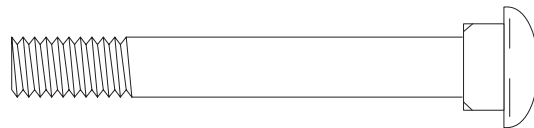
M4 x 16mm Screw (43)–4



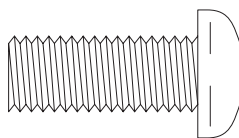
M8 x 54mm Carriage Bolt (11)–4



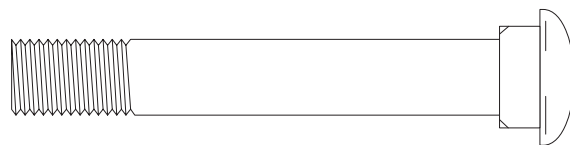
M6 x 16mm Screw (46)–8



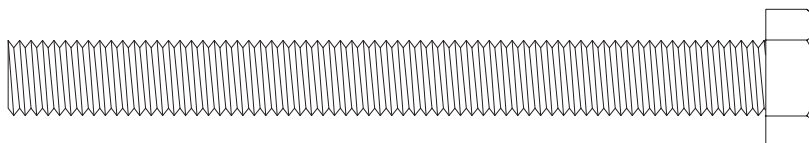
M8 x 65mm Carriage Bolt (52)–4



M10 x 25mm Button Head Screw (53)–3

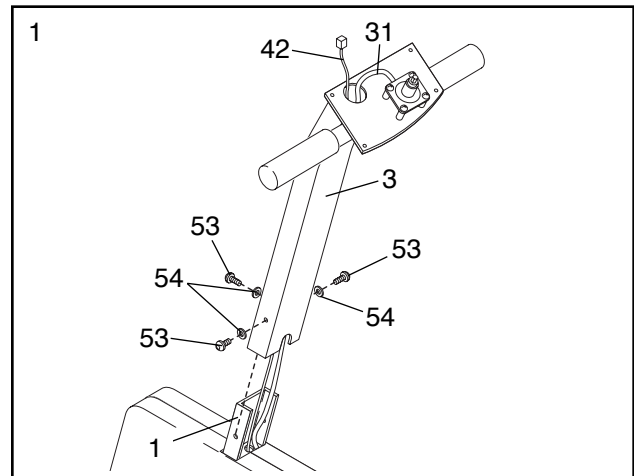


M10 x 70mm Carriage Bolt (27)–2

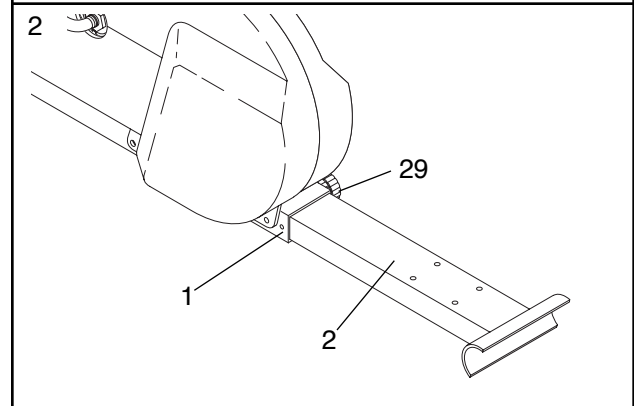


M10 x 97mm Hex Head Bolt (12)–2

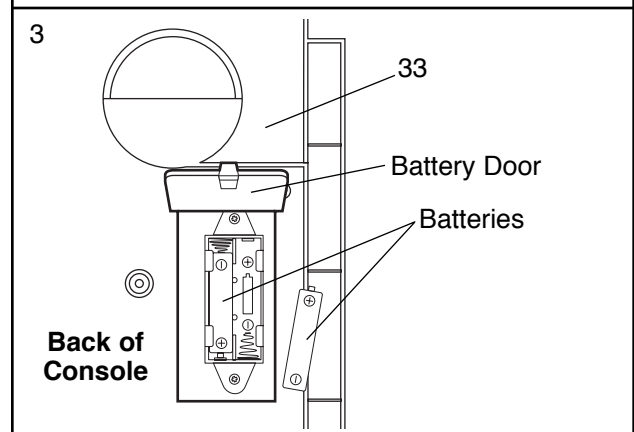
1. Carefully slide the Handlebar Post (3) onto the Frame (1) while pulling the excess Reed Switch Wire (42) and Resistance Cable (31) up through the Handlebar Post. Attach the Handlebar Post with three M10 x 25mm Button Head Screws (53) and three M10 Split Washers (54). **Be careful not to pinch the Reed Switch Wire or the Resistance Cable.**



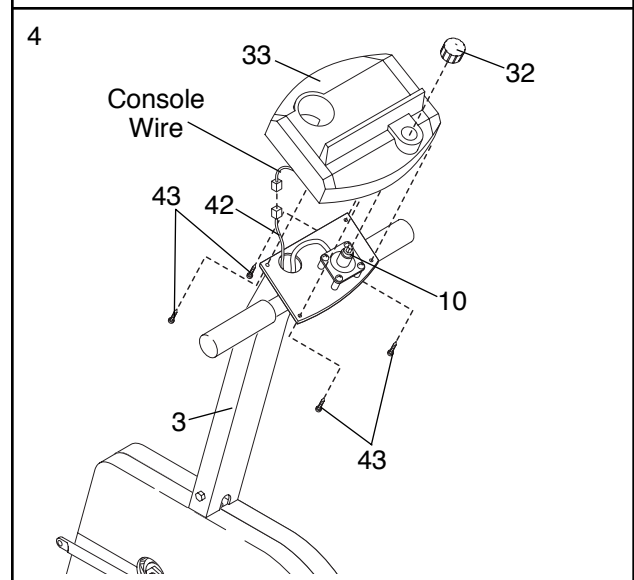
2. Loosen the Frame Knob (29) on the right side of the Frame (1). Slide out the Seat Frame (2) until it stops. Tighten the Frame Knob.



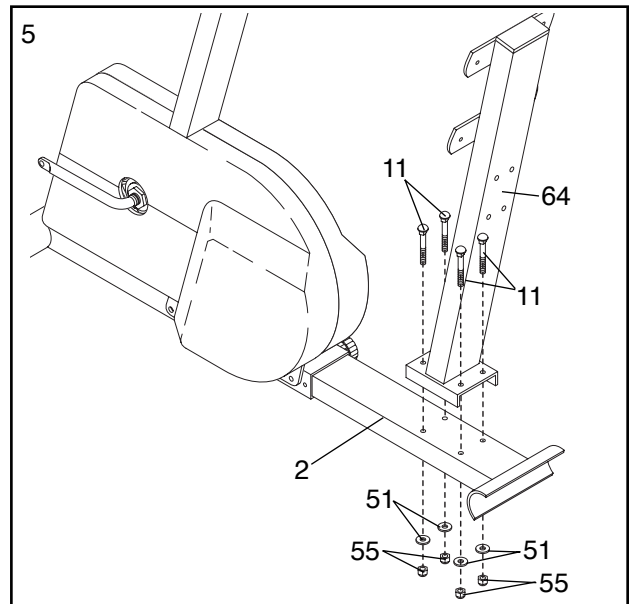
3. The Console (33) requires two "AA" batteries (not included); alkaline batteries are recommended. Open the battery door on the back of the Console. Press two batteries into the Console. **Make sure that the negative (-) ends of the batteries are touching the springs.** Close the battery door.



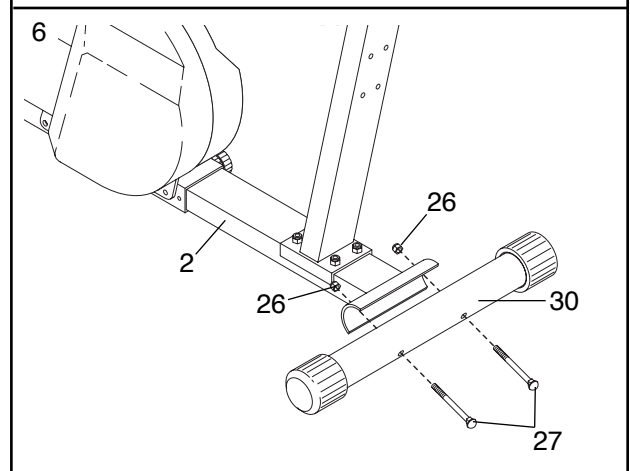
4. Connect the Reed Switch Wire (42) to the console wire. Next, attach the Console (33) to the Handlebar Post (3) with four M4 x 16mm Screws (43). Press the Resistance Knob (32) onto the Resistance Control (10). Make sure that the mark on the Resistance Knob is correctly aligned.



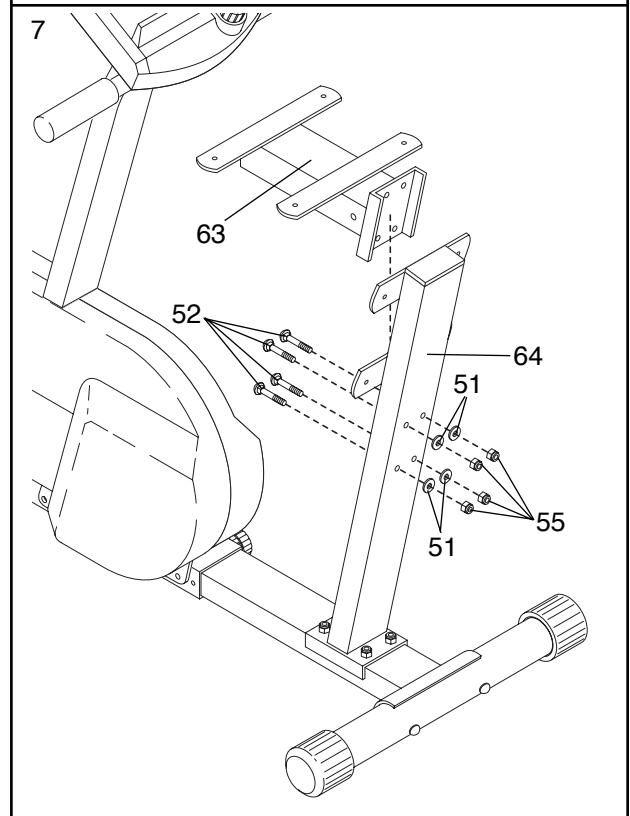
5. Attach the Seat Upright (64) to the Seat Frame (2) with four M8 x 54mm Carriage Bolts (11), four M8 Flat Washers (51), and four M8 Nylon Locknuts (55).
Note: It may be helpful to tip the exercise cycle on its side to attach the Seat Upright.



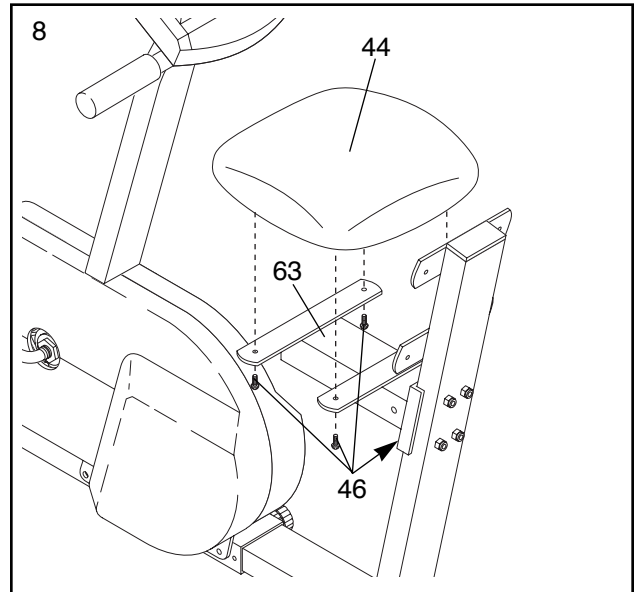
6. Attach the Stabilizer (30) to the Seat Frame (2) with two M10 x 70mm Carriage Bolts (27) and two M10 Nylon Locknuts (26).



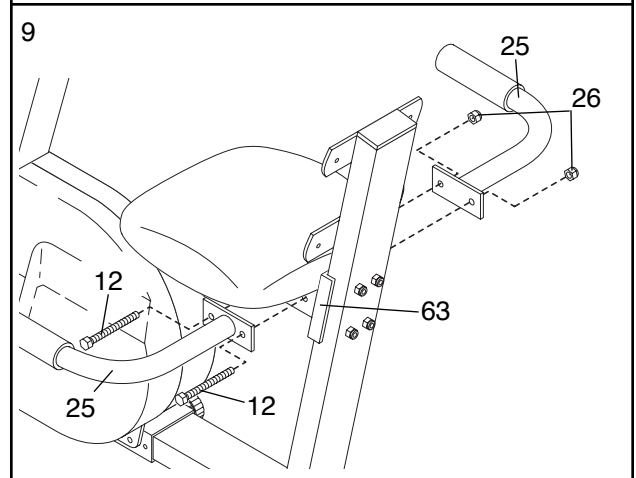
7. Attach the Seat Bracket (63) to the Seat Upright (64) with four M8 x 65mm Carriage Bolts (52), four M8 Flat Washers (51), and four M8 Nylon Locknuts (55).



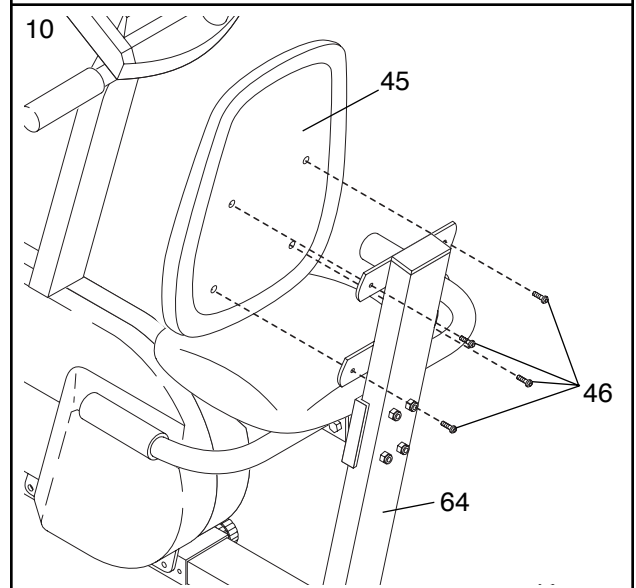
8. Attach the Seat (44) to the Seat Bracket (63) with four M6 x 16mm Screws (46).



9. Attach the Seat Handles (25) to the Seat Bracket (63) with two M10 x 97mm Hex Head Bolts (12) and two M10 Nylon Locknuts (26).



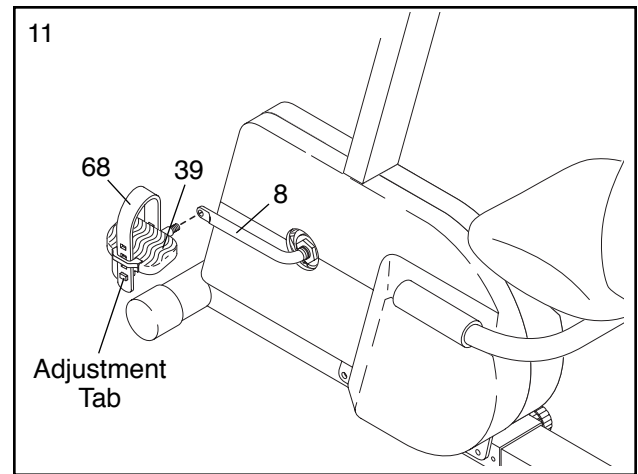
10. Attach the Backrest (45) to the Seat Upright (64) with four M6 x 16mm Screws (46).



11. Identify the Left Pedal (39); there is an “L” on the Left Pedal for identification. Using an adjustable wrench, tighten the Left Pedal counterclockwise into the left arm of the Crank (8). Tighten the Right Pedal (not shown) clockwise into the right arm of the Crank. **Tighten both Pedals as fully as possible.**

Important: After using the exercise cycle for one week, retighten the pedals. For best performance, the pedals must be kept properly tightened.

Adjust the Left Pedal Strap (68) to the desired position. Press the Left Pedal Strap onto the adjustment tab on the Left Pedal (39). Adjust the Right Pedal Strap (not shown) in the same way.

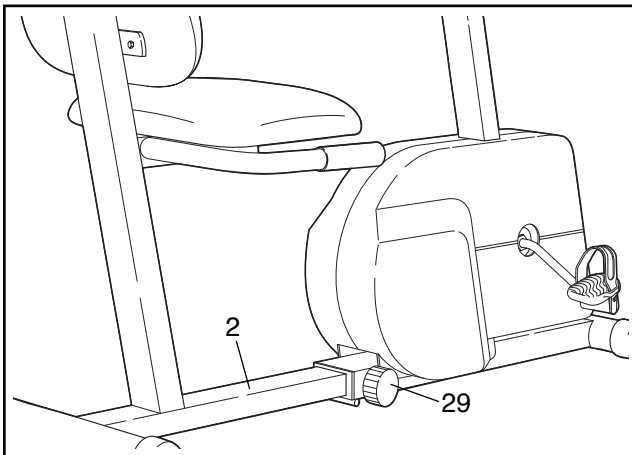


12. **Make sure that all parts are properly tightened before you use the exercise cycle. Note: There may be some hardware left over after assembly is completed.**

HOW TO USE THE EXERCISE CYCLE

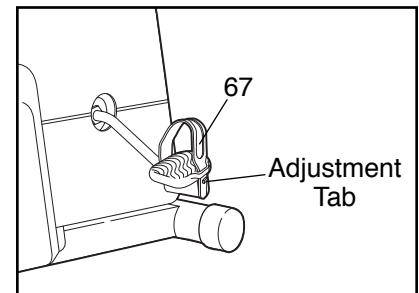
HOW TO ADJUST THE POSITION OF THE SEAT FRAME

The Seat Frame (2) can be adjusted to the position that is the most comfortable for you. To adjust the Seat Frame, first loosen the Frame Knob (29) on the right side of the Frame. Slide the Seat Frame forward or backward to the desired position. Tighten the Frame Knob.



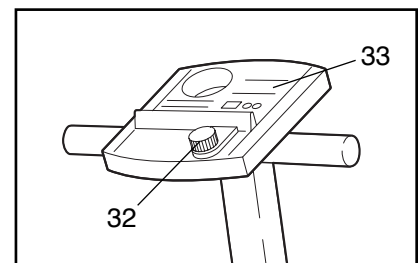
HOW TO ADJUST THE PEDAL STRAPS

To adjust the right Pedal Strap (67), first pull the Pedal Strap off the adjustment tab on the pedal. Align a different hole in the Pedal Strap with the adjustment tab. Press the Pedal Strap onto the adjustment tab. Adjust the left Pedal Strap (not shown) in the same way.

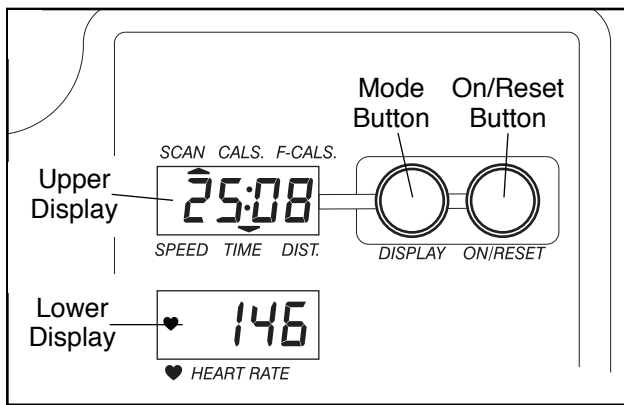


HOW TO ADJUST THE PEDALING RESISTANCE

The pedaling resistance can be adjusted with the Resistance Knob (32) located on the Console (33). To increase the resistance, turn the Resistance Knob clockwise; to decrease the resistance, turn the Resistance Knob counterclockwise.



DESCRIPTION OF THE CONSOLE



The innovative console features six modes that provide instant exercise feedback during your workouts. The upper display will show your current speed, the elapsed time, the distance you have pedaled, and the numbers of fat calories and calories you have burned. The lower display will show your heart rate when the pulse sensor is used. The modes of the two displays are described below.

Speed—Displays your pedaling speed, in miles per hour.

Time—Displays the elapsed time. Note: If you stop pedaling for ten seconds or longer, the time mode will pause until you resume.

Distance—Displays the total distance you have pedaled, in miles.

Fat Calories—Displays the approximate number of fat calories you have burned. (See BURNING FAT on page 12.)

Calories—Displays the approximate number of calories you have burned.

Scan—Displays the speed, time, distance, fat calories, and calories modes, for 5 seconds each, in a repeating cycle.

Heart Rate—This mode displays your heart rate when the pulse sensor is used.

HOW TO OPERATE THE CONSOLE

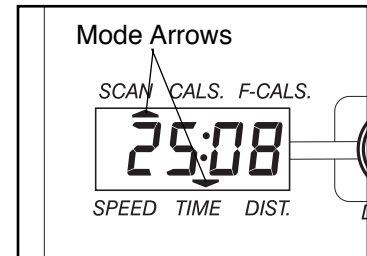
Note: The console requires two “AA” batteries. See assembly step 3 on page 6 for battery installation instructions.

1. To turn on the power, press the on/reset button or simply begin pedaling. When the power is turned

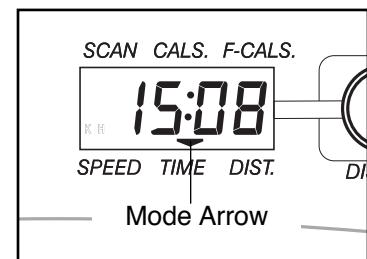
on, the entire display will appear for two seconds. The console will then be ready for operation.

2. Select one of the six modes:

Scan mode—When the power is turned on, the scan mode will automatically be selected. One mode arrow will show that the scan mode is selected, and a flashing mode arrow will show which mode is currently displayed. Note: If a different mode is selected, you can select the scan mode again by repeatedly pressing the mode button.

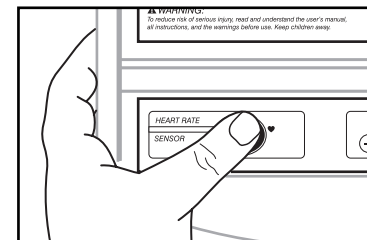


Speed, time, distance, fat calories, or calories mode—To select one of these modes for continuous display, press the mode button repeatedly. The mode arrows will show which mode is selected. Make sure that the scan mode is not selected.



3. To reset the display, press the on/reset button.

4. To measure your heart rate, stop pedaling and place your thumb on the pulse sensor as shown. The pulse sensor is pressure-



activated—fully press it down. **Do not press too hard, or the circulation in your thumb will be restricted, and your pulse will not be detected.** Next, slightly raise your thumb until the heart-shaped indicator in the lower display flashes **steadily**. Hold your thumb at this level. After 5 to 10 seconds, three dashes will appear in the lower display and your heart rate will be shown. Hold your thumb on the sensor for another 15 seconds for the most accurate reading. If the displayed heart rate appears to be too high or too low, or if your heart rate is not displayed, lift your thumb and allow the display to reset. Press down again on the sensor as described above.

Make sure that your thumb is positioned as shown, and that you are applying the proper amount of pressure to the pulse sensor. Try the sensor several times until you become familiar with it.

- 5. To turn off the power, wait for about four minutes.
Note: The monitor has an “auto-off” feature. If

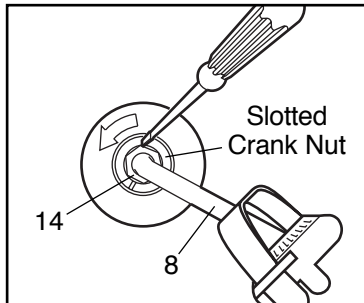
the pedals are not moved and the console buttons are not pressed for four minutes, the power will turn off automatically in order to conserve the batteries.

MAINTENANCE AND STORAGE

Inspect and tighten all parts of the exercise cycle regularly. The exercise cycle can be cleaned with a soft, damp cloth. To prevent damage to the console, keep liquids away from the console and keep the console out of direct sunlight.

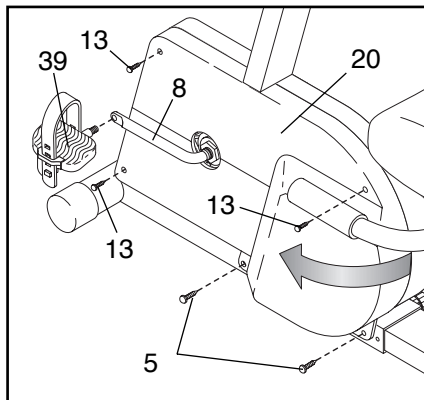
CRANK ADJUSTMENT

If the arms of the Crank (8) become loose, they should be tightened in order to prevent excessive wear. Loosen the Hex Crank Nuts (14) on the left arm of the Crank. Place the tip of a standard screwdriver in one of the slots in the slotted crank nut. Tap the screwdriver with a hammer to turn the slotted crank nut counterclockwise until the arms are no longer loose. **Do not overtighten the slotted crank nut.** When the slotted crank nut is properly tightened, tighten the Hex Crank Nuts.



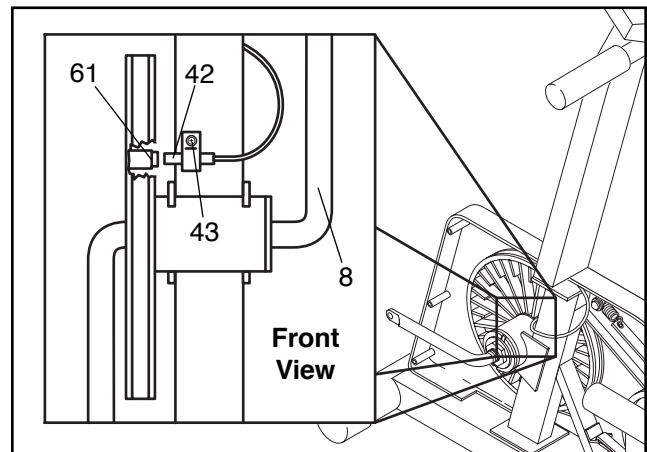
HOW TO ADJUST THE REED SWITCH

If the console does not display correct feedback, the reed switch may need to be adjusted. To adjust the reed switch, you must first remove the Left Side Shield (20). Using an adjustable wrench, turn the Left Pedal (39) clockwise



and remove it. Next, remove the indicated M4 x 12mm Screws (5) and M4 x 38mm Self-tapping Screws (13). Grip both Side Shields and gently pull them apart. Turn the left arm of the Crank (8) to the position shown, and carefully slide the Left Side Shield forward and remove it.

With the left side shield removed, locate the Reed Switch (42) (see the drawing below). Turn the Crank (8) until the Magnet (61) is aligned with the Reed Switch. Loosen but do not remove the M4 x 16mm Screw (43). Slide the Reed Switch slightly closer to or farther away from the Magnet. Retighten the Screw. Turn the Crank for a moment. Repeat until the console displays correct feedback. When the Reed Switch is correctly adjusted, reattach the left side shield and the left pedal.



BATTERY REPLACEMENT

If the console does not function properly, the batteries should be replaced. See assembly step 3 on page 6.

TIGHTENING THE PEDALS

For best performance, regularly tighten both pedals.

CONDITIONING GUIDELINES

⚠ WARNING: Before beginning this or any exercise program, consult your physician. This is especially important for individuals over the age of 35 or individuals with pre-existing health problems.

The pulse sensor is not a medical device. Various factors, including the user's movement, may affect the accuracy of heart rate readings. The pulse sensor is intended only as an exercise aid in determining heart rate trends in general.

The following guidelines will help you to plan your exercise program. For more information about exercise, consult your physician or obtain a reputable book.

EXERCISE INTENSITY

Whether your goal is to burn fat or to strengthen your cardiovascular system, the key to achieving the desired results is to exercise with the proper intensity. The proper intensity level can be found by using your heart rate as a guide. The chart below shows recommended heart rates for fat burning and aerobic exercise.

165	155	145	140	130	125	115	♥
145	138	130	125	118	110	103	♥
125	120	115	110	105	95	90	♥
<hr/>							
20	30	40	50	60	70	80	

To find the proper heart rate for you, first find your age at the bottom of the chart (ages are rounded off to the nearest ten years). Next, find the three numbers above your age. The three numbers define your “training zone.” The lowest two numbers are recommended heart rates for fat burning; the highest number is the recommended heart rate for aerobic exercise.

You can measure your heart rate using the pulse sensor on the console (see step 4 on page 10).

Burning Fat

To burn fat effectively, you must exercise at a relatively low intensity level for a sustained period of time. During the first few minutes of exercise, your body uses easily accessible carbohydrate calories for energy. Only after the first few minutes does your body begin to use stored fat calories for energy. If your goal is to burn fat, adjust the intensity of your exercise until your heart rate is near the lowest number in your training zone.

For maximum fat burning, adjust the intensity of your exercise until your heart rate is near the middle of your training zone.

Aerobic Exercise

If your goal is to strengthen your cardiovascular system, your exercise must be “aerobic.” Aerobic exercise is activity that requires large amounts of oxygen for prolonged periods of time. This increases the demand on the heart to pump blood to the muscles, and on the lungs to oxygenate the blood. For aerobic exercise, adjust the intensity of your exercise until your heart rate is near the highest number in your training zone.

WORKOUT GUIDELINES

Each workout should include the following three important parts: (1) a warm-up, (2) training zone exercise, and (3) a cool-down.

A Warm-Up—Begin each workout with five to ten minutes of stretching and light exercise to warm up. A proper warm-up increases your body temperature, heart rate and circulation in preparation for exercise.

Training Zone Exercise—After warming up, increase the intensity of your exercise until your heart rate is in your training zone for 20 to 30 minutes. Breathe regularly and deeply—never hold your breath.

A Cool-down—Finish each workout with 5 to 10 minutes of stretching. This will increase your flexibility and will help to prevent post-exercise problems.

EXERCISE FREQUENCY

To maintain or improve your condition, plan three workouts each week, with at least one day of rest between workouts. After a few months of regular exercise, you may complete up to five workouts each week if desired. Remember, the key to success is make exercise a regular and enjoyable part of your everyday life.

SUGGESTED STRETCHES

The correct form for several basic stretches is shown below. Move slowly as you stretch—never bounce.

1. Toe Touch Stretch

Stand with your knees bent slightly and slowly bend forward from your hips. Allow your back and shoulders to relax as you reach down toward your toes as far as possible. Hold for 15 counts, then relax. Repeat 3 times. Stretches: Hamstrings, back of knees and back.

2. Hamstring Stretch

Sit with one leg extended. Bring the sole of the opposite foot toward you and rest it against the inner thigh of your extended leg. Reach toward your toes as far as possible. Hold for 15 counts, then relax. Repeat 3 times for each leg. Stretches: Hamstrings, lower back and groin.

3. Calf/Achilles Stretch

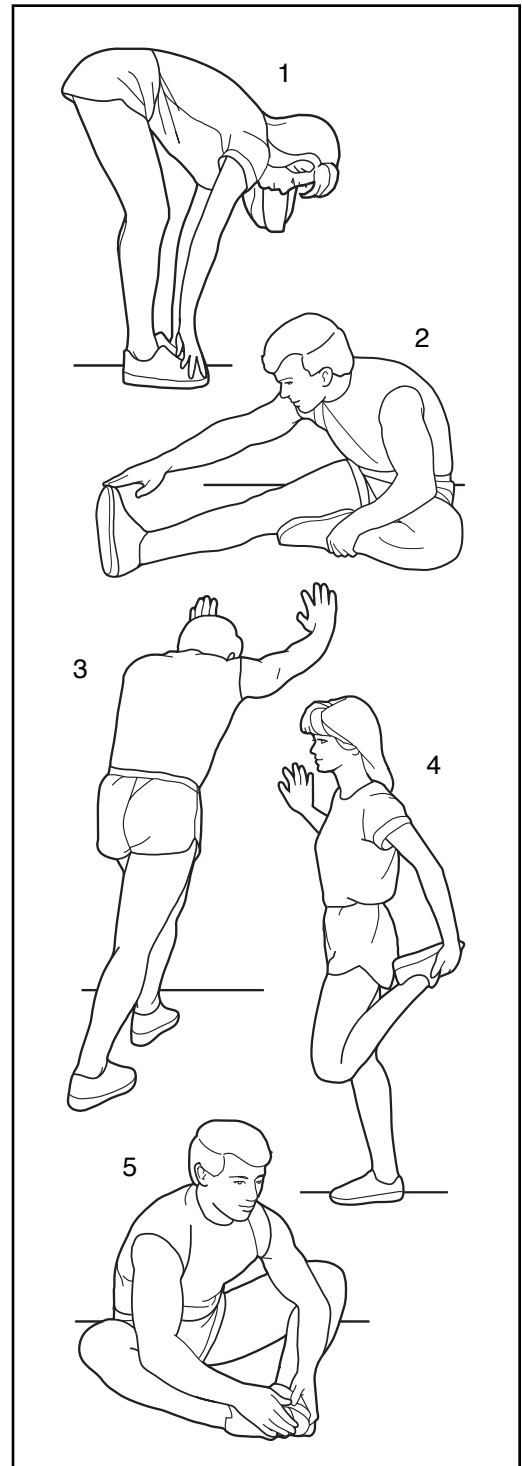
With one leg in front of the other, reach forward and place your hands against a wall. Keep your back leg straight and your back foot flat on the floor. Bend your front leg, lean forward and move your hips toward the wall. Hold for 15 counts, then relax. Repeat 3 times for each leg. To cause further stretching of the achilles tendons, bend your back leg as well. Stretches: Calves, achilles tendons and ankles.

4. Quadriceps Stretch

With one hand against a wall for balance, reach back and grasp one foot with your other hand. Bring your heel as close to your buttocks as possible. Hold for 15 counts, then relax. Repeat 3 times for each leg. Stretches: Quadriceps and hip muscles.

5. Inner Thigh Stretch

Sit with the soles of your feet together and your knees outward. Pull your feet toward your groin area as far as possible. Hold for 15 counts, then relax. Repeat 3 times. Stretches: Quadriceps and hip muscles.



PART LIST—Model No. WLEX14000

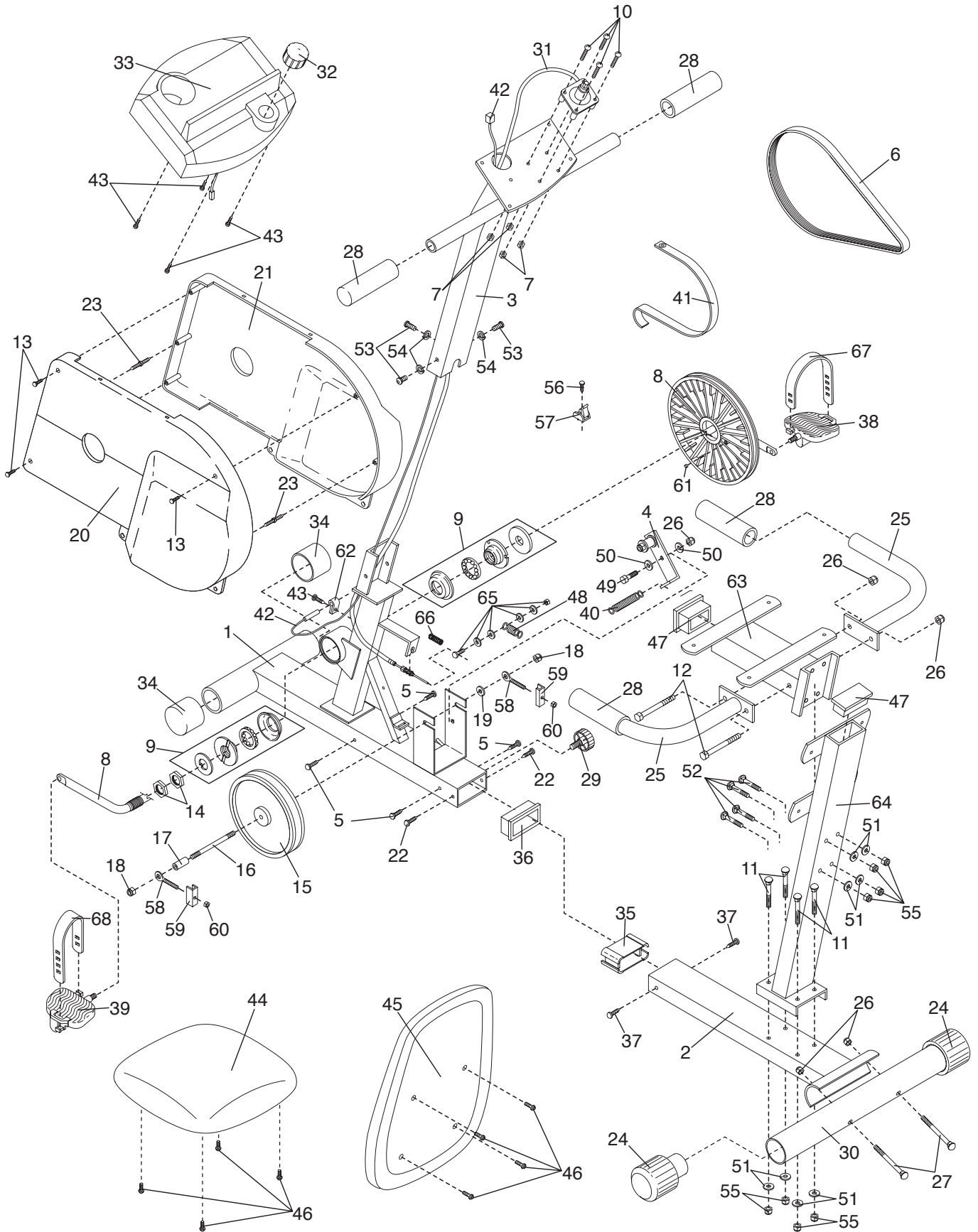
R1000A

Key No.	Qty.	Description	Key No.	Qty.	Description
1	1	Frame	36	1	Frame Bushing
2	1	Seat Frame	37	2	M4 x 16mm Black Screw
3	1	Handlebar Post	38	1	Right Pedal
4	1	Idler Arm	39	1	Left Pedal
5	4	M4 x 12mm Screw	40	1	Idler Arm Spring
6	1	Drive Belt	41	1	Resistance Strap
7	4	M5 Nut	42	1	Reed Switch w/Wire
8	1	12" Pulley/Crank	43	5	M4 x 16mm Screw
9	1	Bearing Assembly	44	1	Seat
10	4	M5 x 30mm Screw	45	1	Backrest
11	4	M8 x 54mm Carriage Bolt	46	8	M6 x 16mm Screw
12	2	M10 x 97mm Hex Head Bolt	47	2	2" x 3" Endcap
13	3	M4 x 38mm Self-tapping Screw	48	1	Resistance Spring
14	2	Hex Crank Nut	49	1	Idler Arm Screw
15	1	Flywheel Assembly	50	2	Idler Arm Washer
16	1	Flywheel Axle	51	8	M8 Flat Washer
17	1	Flywheel Spacer	52	4	M8 x 65mm Carriage Bolt
18	2	5/16" Nylon Jam Nut	53	3	M10 x 25mm Button Head Screw
19	1	5/16" Flat Washer	54	3	M10 Split Washer
20	1	Left Side Shield	55	8	M8 Nylon Locknut
21	1	Right Side Shield	56	1	M4 x 16mm Flat Head Screw
22	2	M4 x 8mm Screw	57	1	Strap Clamp
23	2	Tree Fastener	58	2	M6 Eyebolt
24	2	Wheel Assembly	59	2	Adjustment Bracket
25	2	Seat Handle	60	2	M6 Nut
26	5	M10 Nylon Locknut	61	1	Magnet
27	2	M10 x 70mm Carriage Bolt	62	1	Cable Clamp
28	4	Foam Grip	63	1	Seat Bracket
29	1	Frame Knob	64	1	Seat Upright
30	1	Stabilizer	65	1	Clamp Hardware
31	1	Resistance Control/Cable	66	1	Tension Spring
32	1	Resistance Knob	67	1	Right Pedal Strap
33	1	Console	68	1	Left Pedal Strap
34	2	Stabilizer Endcap	#	1	User's Manual
35	1	Seat Frame Bushing			

Note: “#” refers to a non-illustrated part. Specifications are subject to change without notice. See the back cover of this manual for information about ordering replacement parts.

EXPLODED DRAWING—Model No. WLEX14000

R1000A



ORDERING REPLACEMENT PARTS

To order replacement parts, call our Customer Service Department toll-free at 1-800-999-3756, Monday through Friday, 6 a.m. until 6 p.m. Mountain Time (excluding holidays). To help us assist you, please be prepared to give the following information:

- The MODEL NUMBER of the product (WLEX14000)
- The NAME of the product (WESLO® PURSUIT 719 exercise cycle)
- The SERIAL NUMBER of the product (see the front cover of this manual)
- The KEY NUMBER and DESCRIPTION of the part(s) (see the PART LIST on page 14).

WESLO® is a registered trademark of ICON Health & Fitness, Inc.

LIMITED WARRANTY

ICON Health & Fitness, Inc. (ICON), warrants this product to be free from defects in workmanship and material, under normal use and service conditions, for a period of ninety (90) days from the date of purchase. This warranty extends only to the original purchaser. ICON's obligation under this warranty is limited to replacing or repairing, at ICON's option, the product through one of its authorized service centers. All repairs for which warranty claims are made must be pre-authorized by ICON. This warranty does not extend to any product or damage to a product caused by or attributable to freight damage, abuse, misuse, improper or abnormal usage or repairs not provided by an ICON authorized service center, products used for commercial or rental purposes, or products used as store display models. No other warranty beyond that specifically set forth above is authorized by ICON.

ICON is not responsible or liable for indirect, special or consequential damages arising out of or in connection with the use or performance of the product or damages with respect to any economic loss, loss of property, loss of revenues or profits, loss of enjoyment or use, costs of removal, installation or other consequential damages of whatsoever nature. Some states do not allow the exclusion or limitation of incidental or consequential damages. Accordingly, the above limitation may not apply to you.

The warranty extended hereunder is in lieu of any and all other warranties and any implied warranties of merchantability or fitness for a particular purpose is limited in its scope and duration to the terms set forth herein. Some states do not allow limitations on how long an implied warranty lasts. Accordingly, the above limitation may not apply to you.

This warranty gives you specific legal rights. You may also have other rights which vary from state to state.

ICON HEALTH & FITNESS, INC., 1500 S. 1000 W., LOGAN, UT 84321-9813

Free Manuals Download Website

<http://myh66.com>

<http://usermanuals.us>

<http://www.somanuals.com>

<http://www.4manuals.cc>

<http://www.manual-lib.com>

<http://www.404manual.com>

<http://www.luxmanual.com>

<http://aubethermostatmanual.com>

Golf course search by state

<http://golfingnear.com>

Email search by domain

<http://emailbydomain.com>

Auto manuals search

<http://auto.somanuals.com>

TV manuals search

<http://tv.somanuals.com>