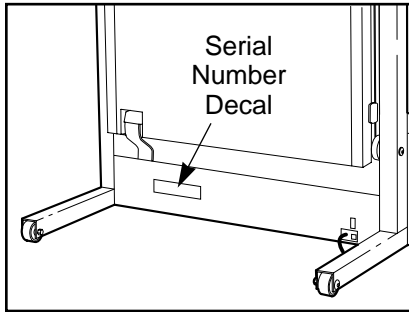


# WESLO® **CADENCE LX45**

Model No. 831.297100

Serial No. \_\_\_\_\_



## **⚠ CAUTION**

Read all precautions and instructions in this manual before using this equipment. Save this manual for future reference.

## **USER'S MANUAL**

SEARS, ROEBUCK AND CO., HOFFMAN ESTATES, IL 60179

## TABLE OF CONTENTS

IMPORTANT PRECAUTIONS .....	3
BEFORE YOU BEGIN .....	5
ASSEMBLY .....	6
OPERATION AND ADJUSTMENT .....	7
HOW TO FOLD AND MOVE THE TREADMILL .....	10
MAINTENANCE AND TROUBLE-SHOOTING .....	12
CONDITIONING GUIDELINES .....	14
ORDERING REPLACEMENT PARTS .....	.Back Cover
FULL 90 DAY WARRANTY .....	.Back Cover

Note: An EXPLODED DRAWING and PART LIST are attached to the center of this manual. Please save them for future reference.

# IMPORTANT PRECAUTIONS

**⚠ WARNING:** To reduce the risk of burns, fire, electric shock, or injury to persons, read the following important precautions and information before operating the treadmill.

1. It is the responsibility of the owner to ensure that all users of this treadmill are adequately informed of all warnings and precautions.
2. Use the treadmill only as described in this manual.
3. Place the treadmill on a level surface, with at least eight feet of clearance behind it. Do not place the treadmill on any surface that blocks air openings. To protect the floor or carpet from damage, place a mat under the treadmill.
4. Keep the treadmill indoors, away from moisture and dust. Do not put the treadmill in a garage or covered patio, or near water.
5. Do not operate the treadmill where aerosol products are used or where oxygen is being administered.
6. Keep children under the age of 12 and pets away from the treadmill at all times.
7. The treadmill should not be used by persons weighing more than 250 pounds.
8. Never allow more than one person on the treadmill at a time.
9. Wear appropriate exercise clothing when using the treadmill. Do not wear loose clothing that could become caught in the treadmill. Athletic support clothes are recommended for both men and women. Always wear athletic shoes. Never use the treadmill with bare feet, wearing only stockings, or in sandals.
10. When connecting the power cord (see page 7), plug the power cord into a surge suppressor (not included) and plug the surge suppressor into a grounded circuit capable of carrying 15 or more amps. No other appliance should be on the same circuit. Do not use an extension cord.
11. Use only a single-outlet surge suppressor that is UL 1449 listed as a transient voltage surge suppressor (TVSS). The surge suppressor must have a UL suppressed voltage rating of 400 volts or less and a minimum surge dissipation of 450 joules. The surge suppressor must be electrically rated for 120 volts AC and 15 amps.
12. Keep the power cord and the surge suppressor away from heated surfaces.
13. Never move the walking belt while the power is turned off. Do not operate the treadmill if the power cord or plug is damaged, or if the treadmill is not working properly. (See **BEFORE YOU BEGIN** on page 5 if the treadmill is not working properly.)
14. Never start the treadmill while you are standing on the walking belt. Always hold the handrails while using the treadmill.
15. The treadmill is capable of high speeds. Adjust the speed in small increments to avoid sudden jumps in speed.
16. To reduce the possibility of the treadmill overheating, do not operate the treadmill continuously for longer than 1 hour.
17. Never leave the treadmill unattended while it is running. Always remove the key and move the on/off switch to the "off" position when the treadmill is not in use. (See the drawing on page 5 for the location of the on/off switch.)
18. Do not attempt to raise, lower, or move the treadmill until it is properly assembled. (See **ASSEMBLY** on page 6, and **HOW TO MOVE THE TREADMILL** on page 11.) You must be able to safely lift 45 pounds (20 kg) in order to raise, lower, or move the treadmill.
19. When folding or moving the treadmill, make sure that the storage latch is fully closed.
20. Inspect and tighten all parts of the treadmill regularly.

21. Never insert any object into any opening.
22. Always unplug the power cord before performing the maintenance and adjustment procedures described in this manual. Never remove the motor hood unless instructed to do so by an authorized service representa-

tive. Servicing other than the procedures in this manual should be performed by an authorized service representative only.

23. This treadmill is intended for in-home use only. Do not use this treadmill in any commercial, rental, or institutional setting.

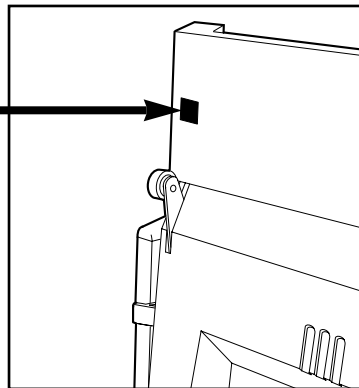
**⚠ WARNING:** Before beginning this or any exercise program, consult your physician. This is especially important for persons over the age of 35 or persons with pre-existing health problems. Read all instructions before using. SEARS assumes no responsibility for personal injury or property damage sustained by or through the use of this product.

## SAVE THESE INSTRUCTIONS

The decal shown below has been placed on your treadmill. If the decal is missing, or if it is not legible, please call our toll-free HELPLINE to order a free replacement decal (see the back cover of this manual). Apply the decal in the location shown.

### ⚠ WARNING

- Never allow children to play on or around treadmill.
- Storage latch must be fully engaged before treadmill is moved or stored.



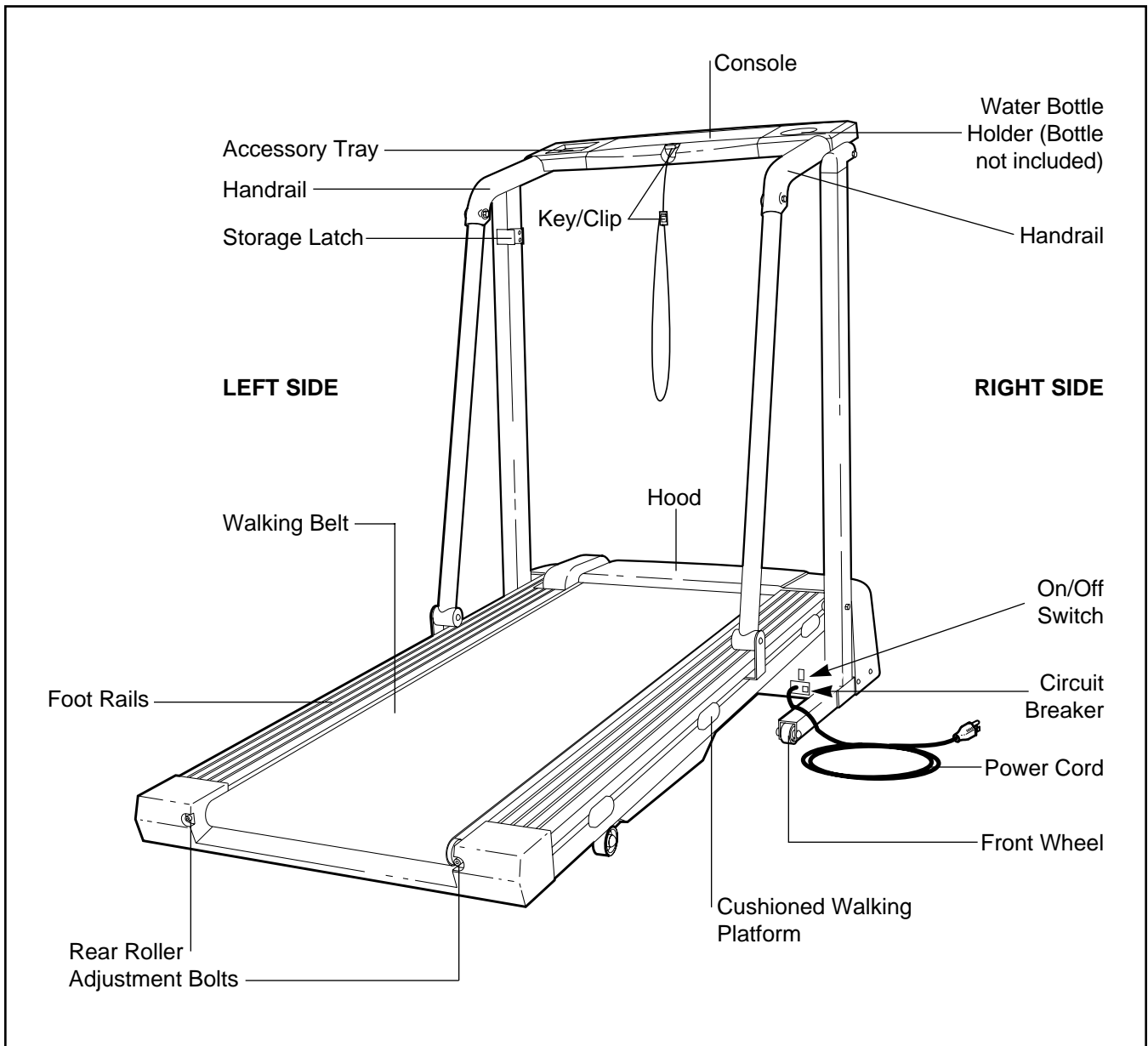
# BEFORE YOU BEGIN

Congratulations for purchasing the new WESLO CADENCE® LX45 treadmill. The CADENCE LX45 treadmill combines advanced technology with innovative design to let you enjoy an excellent form of cardiovascular exercise in the convenience and privacy of your home. And when you're not exercising, the unique CADENCE LX45 can be folded up, requiring less than half the floor space of other treadmills.

**For your benefit, read this manual carefully before using the treadmill.** If you have additional questions, please call our toll-free HELPLINE at 1-800-736-6879,


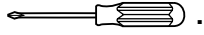
Monday through Saturday, 7 a.m. until 7 p.m. Central Time (excluding holidays). To help us assist you, please note the product model number and serial number before calling. The model number of the treadmill is 831.297100. The serial number can be found on a decal attached to the treadmill (see the front cover of this manual for the location).

Before reading further, please review the drawing below and familiarize yourself with the parts that are labeled.



# ASSEMBLY

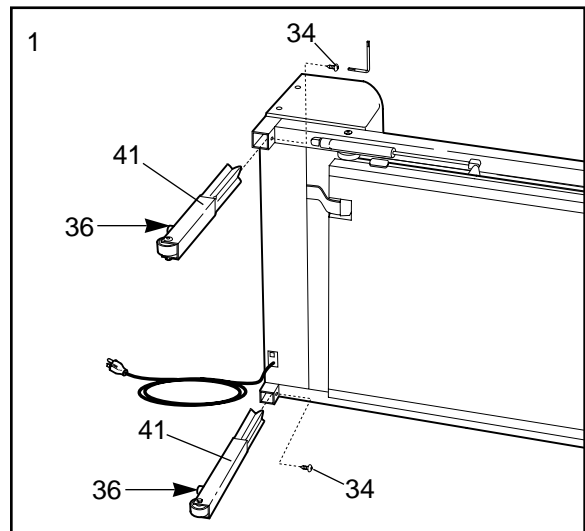
**Assembly requires two people.** Set the treadmill in a cleared area and remove all packing materials. Do not dispose of the packing materials until assembly is completed.

**Assembly requires the included allen wrench**  **and your own phillips screwdriver** .

1. With the help of a second person, carefully lay the treadmill on its right side as shown (refer to the drawing on page 5 to identify the right side).

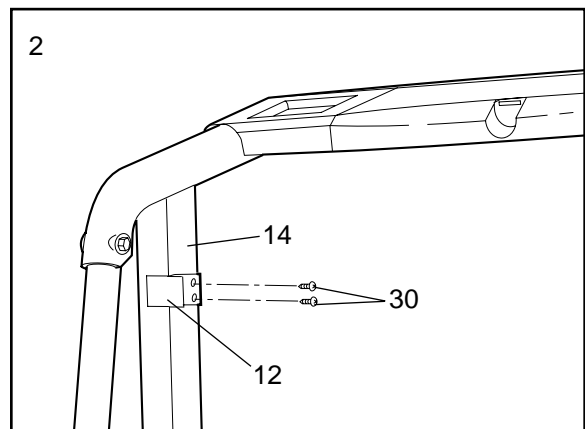
Remove the two Extension Leg Screws (34) from the treadmill. Insert the Extension Legs (41) into the treadmill. Make sure that the Extension Legs are turned so the Base Pads (36) are on the indicated side. Attach each Extension Leg with an Extension Leg Screw.

With the help of a second person, carefully raise the treadmill to the upright position so the Extension Legs (41) are resting flat on the floor.

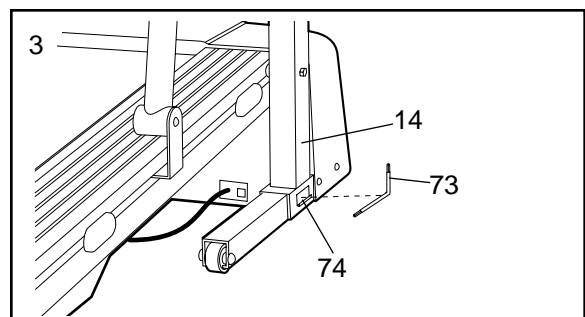


2. Refer to HOW TO LOWER THE TREADMILL FOR USE on page 11. Follow the instructions in step 2 to lower the treadmill.

Attach the Storage Latch (12) to the left Upright (14) with two Screws (30). Be careful not to overtighten the Screws.



3. Remove the backing from the Adhesive Clip (74). Press the Adhesive Clip onto the base of the Uprights (14) in the indicated location. Press the Allen Wrench (73) into the Adhesive Clip.



4. **Make sure that all parts are tightened before you use the treadmill. To protect the floor or carpet, place a mat under the treadmill.**

# OPERATION AND ADJUSTMENT

## THE PERFORMANT LUBE™ WALKING BELT

Your treadmill features a walking belt coated with PERFORMANT LUBE™, a high-performance lubricant. **IMPORTANT: Never apply silicone spray or other substances to the walking belt or the walking platform. Such substances will deteriorate the walking belt and cause excessive wear.**

## HOW TO PLUG IN THE POWER CORD

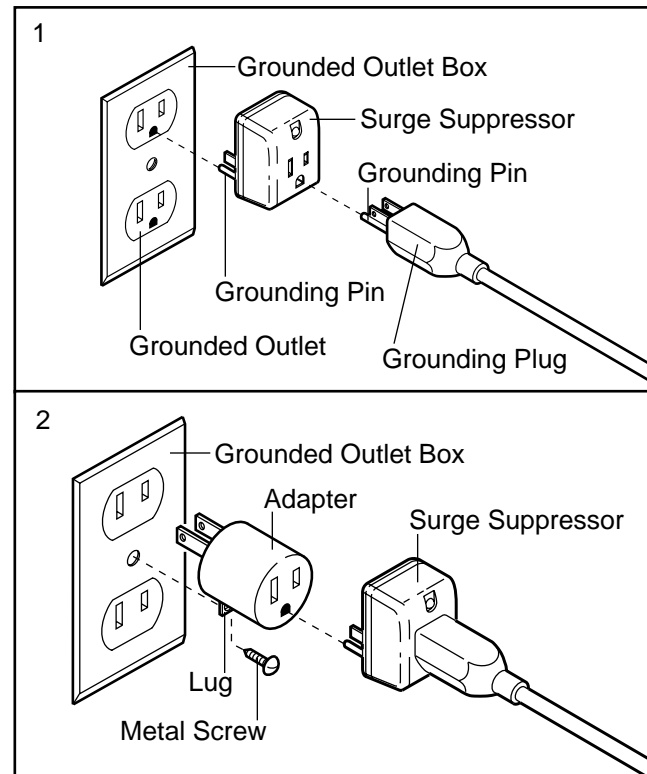
**⚠ DANGER:** Improper connection of the equipment-grounding conductor can result in an increased risk of electric shock. Check with a qualified electrician or serviceman if you are in doubt as to whether the product is properly grounded. Do not modify the plug provided with the product—if it will not fit the outlet, have a proper outlet installed by a qualified electrician.

Your treadmill, like any other type of sophisticated electronic equipment, can be seriously damaged by sudden voltage changes in your home's power. Voltage surges, spikes, and noise interference can result from weather conditions or from other appliances being turned on or off. **To decrease the possibility of your treadmill being damaged, always use a surge suppressor with your treadmill (see drawing 1 at the right).**

Surge suppressors are sold at most hardware stores and department stores. Use only a single-outlet surge suppressor that is UL 1449 listed as a transient voltage surge suppressor (TVSS). The surge suppressor must have a UL suppressed voltage rating of 400 volts or less and a minimum surge dissipation of 450 joules. The surge suppressor must be electrically rated for 120 volts AC and 15 amps.

**This product must be grounded.** If it should malfunction or break down, grounding provides a path of least resistance for electric current to reduce the risk of electric shock. This product is equipped with a cord having an equipment-grounding conductor and a grounding plug. **Plug the power cord into a surge suppressor, and plug the surge suppressor into an appropriate outlet that is properly installed and grounded in accordance with all local codes and ordinances.**

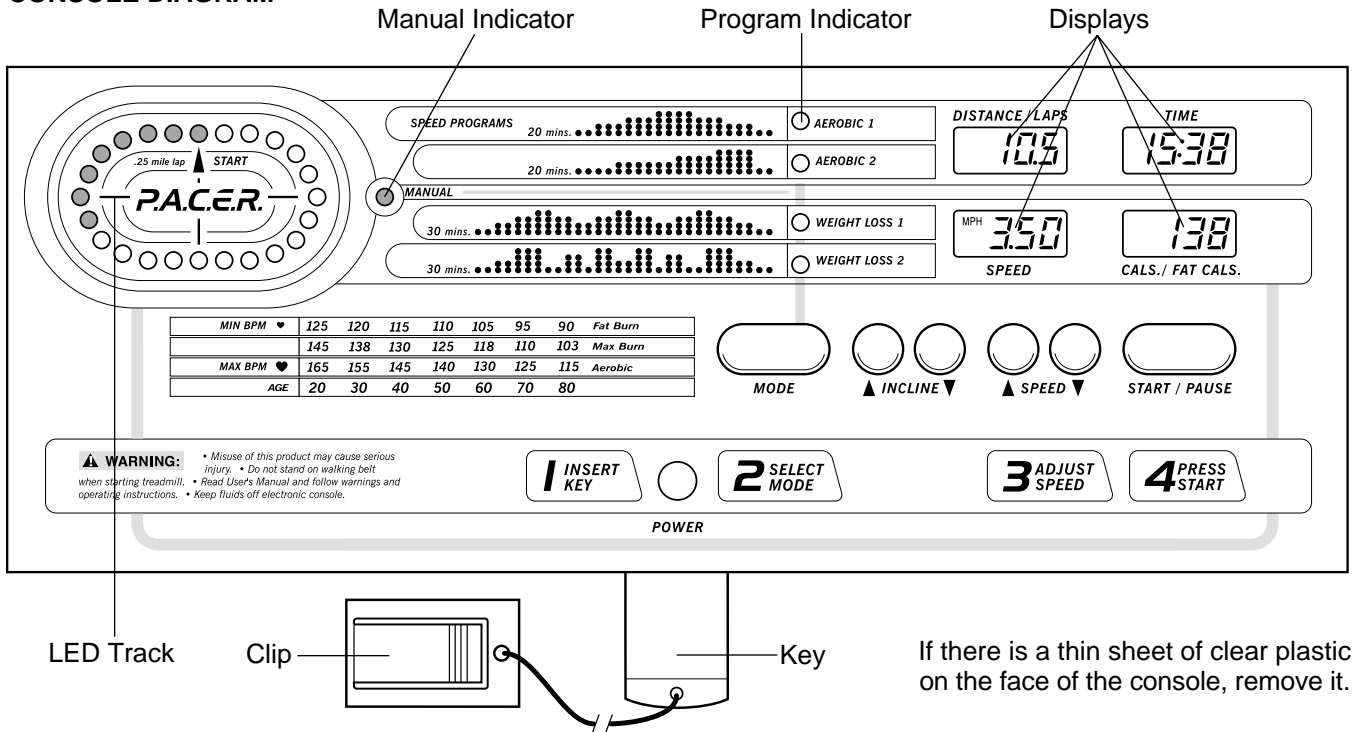
This product is for use on a nominal 120-volt circuit, and has a grounding plug that looks like the plug illustrated in drawing 1 below. A temporary adapter that looks like the adapter illustrated in drawing 2 may be used to connect the surge suppressor to a 2-pole receptacle as shown in drawing 2 if a properly grounded outlet is not available.



The temporary adapter should be used only until a properly grounded outlet (drawing 1) can be installed by a qualified electrician.

The green-colored rigid ear, lug, or the like extending from the adapter must be connected to a permanent ground such as a properly grounded outlet box cover. Whenever the adapter is used it must be held in place by a metal screw. **Some 2-pole receptacle outlet box covers are not grounded. Contact a qualified electrician to determine if the outlet box cover is grounded before using an adapter.**

## CONSOLE DIAGRAM



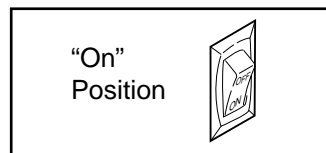
### **CAUTION:** Before operating the console, read the following precautions.

- Do not stand on the walking belt when turning on the power.
- Always wear the clip (see the drawing above) while operating the treadmill.
- Adjust the speed in small increments.
- To reduce the possibility of electric shock, keep the console dry. Avoid spilling liquids on the console, and use only a sealed water bottle.

## STEP-BY-STEP CONSOLE OPERATION

The treadmill console features a manual mode and four workout programs. When the manual mode is selected, the speed and incline of the treadmill can be changed with a touch of a button. As you exercise, the LED track and the four displays will provide continuous exercise feedback. When one of the workout programs is selected, the console will automatically control the speed as it guides you through an effective workout.

Before operating the console, make sure that the on/off switch near the power cord is in the "on" position.

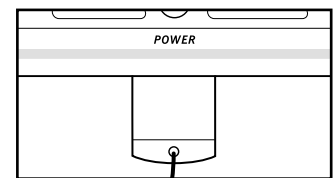


If the key is in the console, remove it. Make sure that the power cord is properly plugged in (see HOW TO PLUG IN THE POWER CORD on page 7).

Next, step onto the foot rails of the treadmill. Find the clip attached to the key (see the drawing above), and slide the clip onto the waistband of your clothing. Follow the steps below to operate the console.

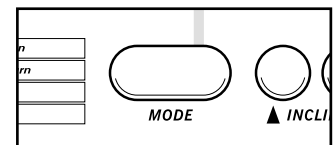
### **1** Insert the key fully into the console.

The green manual mode indicator and the four displays will light. One indicator will begin to flash in the LED track.



### **2** Press the MODE button to select the desired mode.

When the key is inserted, the manual mode will be selected and the MANUAL indicator will be lit. If a workout program has been selected, press the MODE button repeatedly to select the manual mode.



If you want to select one of the four workout programs, press the MODE button. The upper program indicator will light. To select one of the other three programs, press the MODE button repeatedly.



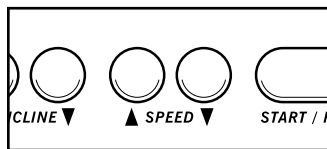
Note: There are two twenty-minute programs and two thirty-minute programs. The graphs in the center of the console show how the speed of the walking belt will change during the programs. During the AEROBIC 1 program, for example, the speed will gradually increase during the first ten minutes, and then gradually decrease during the last ten minutes. Each program begins with a two-minute warm-up period, and ends with a two-minute cool-down period.

### 3 Set the desired speed setting.

To start the walking belt at default speed settings, go to step 4. To adjust the speed setting before you start the walking belt, follow the instructions below.

**If the manual mode is selected:** Press the SPEED  $\Delta$  button repeatedly to select the desired speed setting. Note: The

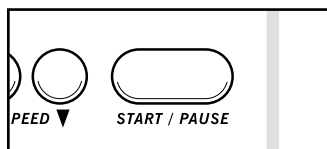
TIME display will flash to indicate that the console has been paused. The walking belt will not begin to move until the START/PAUSE button is pressed (see step 4). **IMPORTANT: Select a low speed setting when starting the walking belt.**



**If a workout program is selected:** Press the SPEED  $\Delta$  or  $\nabla$  button. The SPEED display will begin to flash and a number will appear in the display. This number is the maximum speed that the walking belt will reach during the selected program. If desired, press the SPEED  $\Delta$  button repeatedly to change the maximum speed setting. If the maximum speed setting is increased, the difficulty level of the entire program will increase. If the maximum speed setting is decreased, the difficulty level of the entire program will decrease. Note: The TIME display will flash to indicate that the console has been paused. The walking belt will not begin to move until the START/PAUSE button is pressed (see step 4).

### 4 Press the START/PAUSE button.

After the START/PAUSE button is pressed, the walking belt will begin to move. Hold the handrails and carefully begin walking.



**If the console is in the manual mode:** As you exercise, change the speed of the walking belt as desired by pressing the SPEED buttons.

To stop the walking belt momentarily, press the START/PAUSE button once. The SPEED display

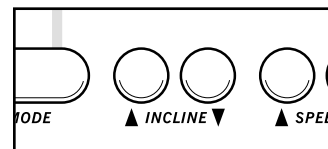
will begin to flash. To restart the walking belt, press the START/PAUSE button again. To stop the walking belt and reset the displays, hold down the START/PAUSE button for two seconds.

**If a preset program is selected:** The speed of the walking belt will change automatically during the program as shown by the graphs in the center of the console. The time remaining in the program will be shown in the TIME display. When the program is completed, the walking belt will slow to a stop. Note: If the program is too difficult or too easy, the difficulty level of the program can be adjusted. Press the SPEED  $\Delta$  or  $\nabla$  button. The SPEED display will flash and a number will appear in the display. This number is the maximum speed that the walking belt will reach during the program. Press the SPEED  $\Delta$  or  $\nabla$  button repeatedly to change the maximum speed setting. When the maximum speed setting is increased, the difficulty level of the entire program will increase. When the maximum speed setting is decreased, the difficulty level of the entire program will decrease.

To stop the program momentarily, press the START/PAUSE button once. The SPEED display will begin to flash. To restart the program, press the START/PAUSE button again. To stop the program and reset the displays, hold down the START/PAUSE button for two seconds. Note: Pressing the MODE button will also stop the program, reset the displays, and select a different mode.

### 5 Change the incline of the treadmill, if desired.

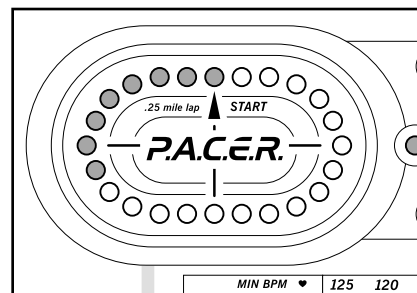
To change the incline, hold down one of the incline buttons until the desired incline is reached.



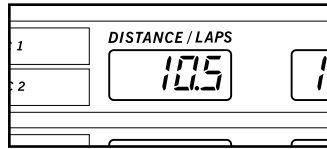
### 6 Follow your progress with the LED track and the four displays.

**The LED Track**—The LED track on the console represents a distance of 1/4 mile. As you exercise,

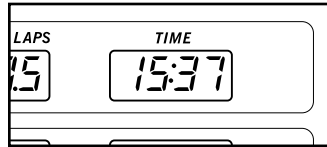
the indicators around the track will light one at a time until you have completed 1/4 mile. The indicators will then darken and another lap will begin.



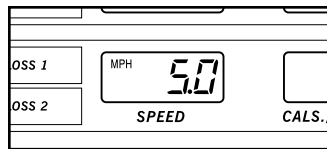
- **DISTANCE/LAPS display**—This display shows the total distance that you have walked and the number of laps you have completed (one lap equals 1/4 mile). The display will alternate between one number and the other every seven seconds. An “L” will appear in the display when the number of laps is shown.



- **TIME display**—When the manual mode is selected, the elapsed time will be shown. When one of the preset programs is selected, the time remaining in the program will be displayed.



- **SPEED display**—This display shows the speed of the walking belt, in miles per hour or kilometers per hour. An MPH or a KPH will appear in the display to show which unit of measurement is selected.



To change the unit of measurement, hold down the START/PAUSE button while inserting the key into the console. An “E” for “English” (miles per

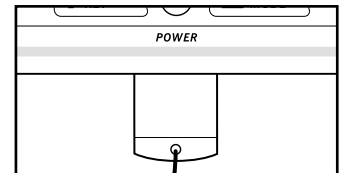
hour) or an “M” for “Metric” (kilometers per hour) will appear in the DISTANCE/LAPS display. Press the MODE button twice to change the unit of measurement. Remove and then reinsert the key.

- **CALS./FAT CALS. display**—This display shows the approximate numbers of calories and fat calories you have burned (see FAT BURNING on page 14 for an explanation of fat calories). Every seven seconds, the display will change from one number to the other. An “F” will appear in the display when the number of fat calories is shown.



## 7 When you are finished, remove the key.

Step onto the foot rails and remove the key from the console. Store the key in a secure place. In addition, move the on/off switch to the “off” position. (See the drawing near the bottom of page 8.)

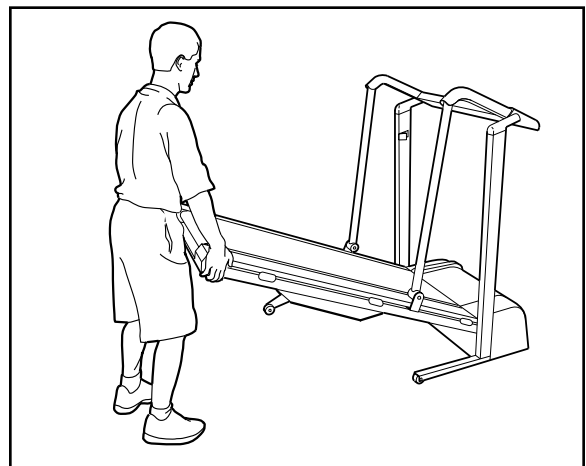


# HOW TO FOLD AND MOVE THE TREADMILL

## HOW TO FOLD THE TREADMILL FOR STORAGE

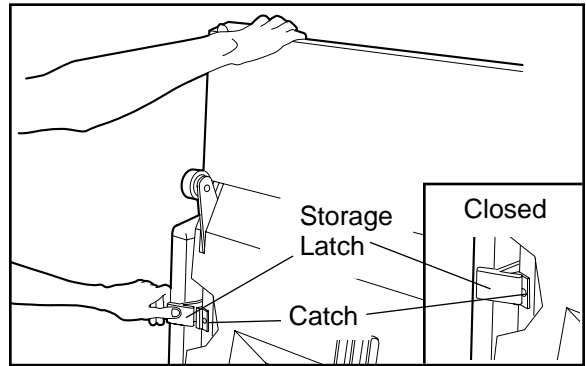
Unplug the power cord. **Caution: You must be able to safely lift 45 pounds (20 kg) in order to raise, lower, or move the treadmill.**

1. Hold the treadmill with your hands in the locations shown at the right. **Caution: To decrease the possibility of injury, bend your legs and keep your back straight. As you raise the treadmill, make sure to lift with your legs rather than your back.** Raise the treadmill about halfway to the vertical position.



2. Move your right hand to the position shown and hold the treadmill firmly. Raise the treadmill until the storage latch closes over the catch. **Make sure that the storage latch is fully engaged over the catch.**

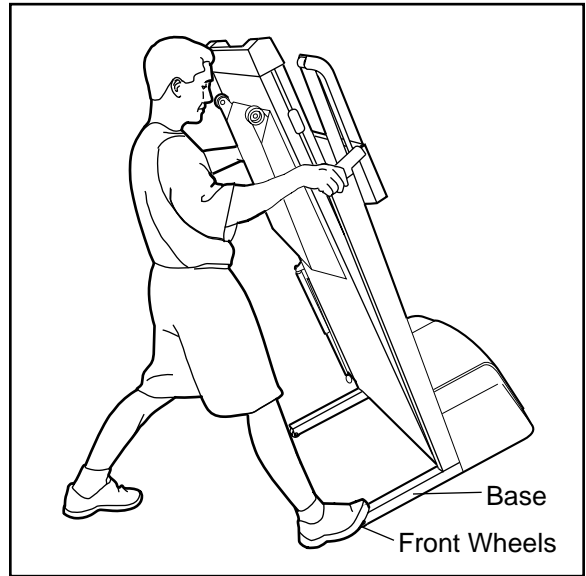
To protect the floor or carpet from damage, place a mat under the treadmill. Keep the treadmill out of direct sunlight. Do not leave the treadmill in the storage position in temperatures above 85° Fahrenheit.



## HOW TO MOVE THE TREADMILL

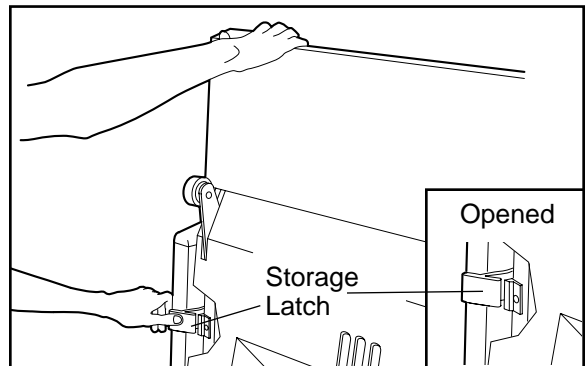
Before moving the treadmill, convert the treadmill to the storage position as described above. **Make sure that the storage latch is closed fully over the catch.**

1. Hold the handrails and place one foot on the base as shown.
2. Tilt the treadmill back until it rolls freely on the front wheels. Carefully move the treadmill to the desired location. **Never move the treadmill without tipping it back, or the base pads may come off. To reduce the risk of injury, use extreme caution while moving the treadmill. Do not attempt to move the treadmill over an uneven surface.**
3. Place one foot on the base, and carefully lower the treadmill until it is resting in the storage position.

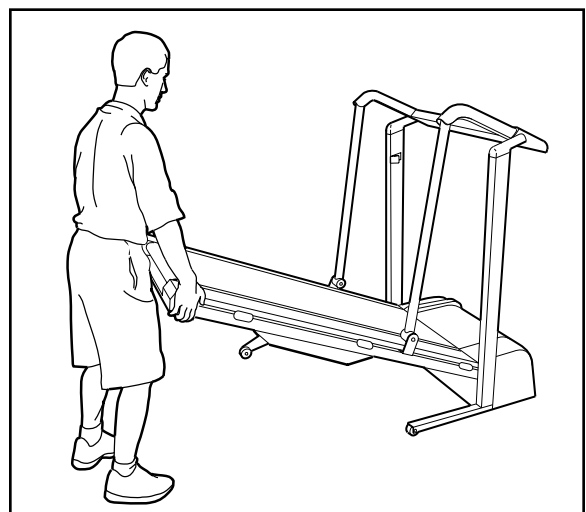


## HOW TO LOWER THE TREADMILL FOR USE

1. Hold the upper end of the treadmill with your right hand as shown. Using your left thumb, press the storage latch and hold it. Pivot the treadmill until the frame and foot rail are past the storage latch.



2. Hold the treadmill firmly with both hands, and lower the treadmill to the floor. **Caution: To decrease the possibility of injury, bend your legs and keep your back straight.**



# MAINTENANCE AND TROUBLE-SHOOTING

Most treadmill problems can be solved by following the simple steps below. If further assistance is needed, call our toll-free HELPLINE at 1-800-736-6879, Monday through Saturday, 7 a.m. until 7 p.m. Central Time (excluding holidays).

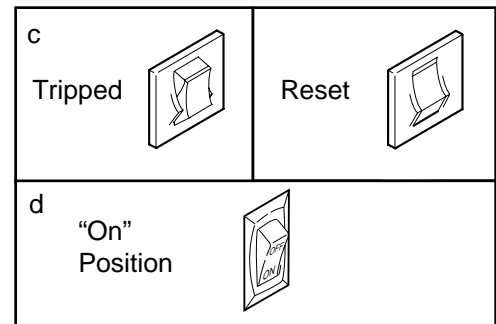
## PROBLEM: The power does not turn on

**SOLUTION:** a. Make sure that the power cord is plugged into a surge suppressor, and that the surge suppressor is plugged into a properly grounded outlet (see page 7). Use only a single-outlet surge suppressor that is UL 1449 listed as a transient voltage surge suppressor (TVSS). The surge suppressor must have a UL suppressed voltage rating of 400 volts or less and a minimum surge dissipation of 450 joules. The surge suppressor must be electrically rated for 120 volts AC and 15 amps.

b. After the power cord has been plugged in, make sure that the key is fully inserted into the console. (See step 1 on page 8.)

c. Check the circuit breaker located on the treadmill near the power cord. If the switch protrudes as shown, the circuit breaker has tripped. To reset the circuit breaker, wait for five minutes and then press the switch back in.

d. Check the on/off switch located at the front of the treadmill near the power cord. The switch must be in the "on" position.



## PROBLEM: The power turns off during use

**SOLUTION:** a. Check the circuit breaker located on the treadmill frame near the power cord (see 1. c. above). If the circuit breaker has tripped, wait for five minutes and then press the switch back in.

b. Make sure that the power cord is plugged in.

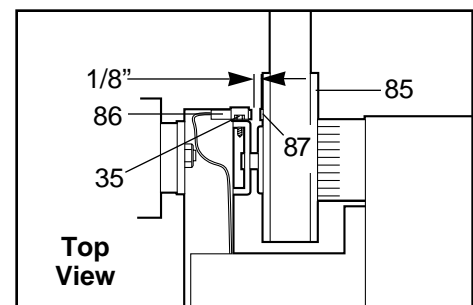
c. Remove the key from the console. Reinsert the key fully into the console. (See step 1 on page 8.)

d. Make sure that the on/off switch is in the "on" position. (See 1. d. above.)

d. If the treadmill still will not run, please call our toll-free HELPLINE.

## PROBLEM: The displays of the console do not function properly

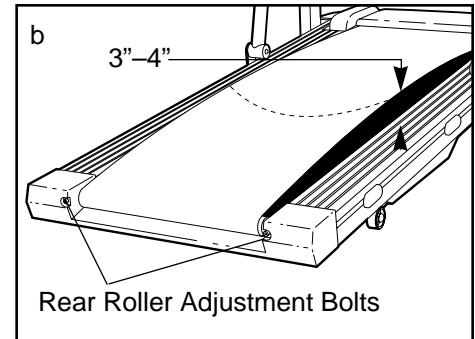
**SOLUTION:** a. Remove the six screws from the hood. Carefully remove the hood. Locate the Reed Switch (86) and the Magnet (87) on the left side of the Pulley (85). Turn the Pulley until the Magnet is aligned with the Reed Switch. **Make sure that the gap between the Magnet and the Reed Switch is about 1/8"**. If necessary, loosen the Screw (35) and move the Reed Switch slightly. Retighten the Screw. Re-attach the hood, and run the treadmill for a few minutes to check for a correct speed reading.



**PROBLEM: The walking belt slows when walked on**

**SOLUTION:** a. Use only a single-outlet surge suppressor that is UL 1449 listed as a transient voltage surge suppressor (TVSS). The surge suppressor must have a UL suppressed voltage rating of 400 volts or less and a minimum surge dissipation of 450 joules. The surge suppressor must be electrically rated for 120 volts AC and 15 amps.

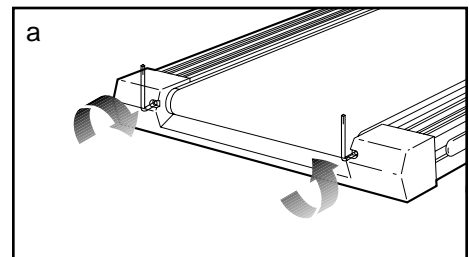
b. If the walking belt is overtightened, treadmill performance may decrease and the walking belt may be permanently damaged. Remove the key and **UNPLUG THE POWER CORD**. Using the allen wrench, turn both rear roller adjustment bolts counterclockwise, 1/4 of a turn. When the walking belt is properly tightened, you should be able to lift each side of the walking belt 3 to 4 inches off the walking platform. Be careful to keep the walking belt centered. Plug in the power cord, insert the key and run the treadmill for a few minutes. Repeat until the walking belt is properly tightened.



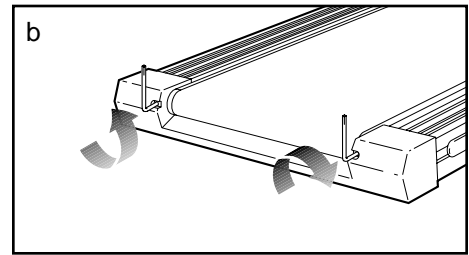
c. If the walking belt still slows when walked on, please call our toll-free HELPLINE.

**PROBLEM: The walking belt is off-center when walked on**

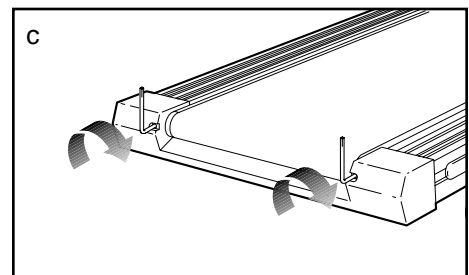
**SOLUTION:** a. If the walking belt has shifted to the left, first remove the key and **UNPLUG THE POWER CORD**. Using the allen wrench, turn the left rear roller adjustment bolt clockwise, and the right bolt counterclockwise, 1/4 of a turn each. Be careful not to overtighten the walking belt. Plug in the power cord, insert the key and run the treadmill for a few minutes. Repeat until the walking belt is centered.



b. If the walking belt has shifted to the right, first remove the key and **UNPLUG THE POWER CORD**. Using the allen wrench, turn the left rear roller adjustment bolt counterclockwise, and the right bolt clockwise, 1/4 of a turn each. Be careful not to overtighten the walking belt. Plug in the power cord, insert the key and run the treadmill for a few minutes. Repeat until the walking belt is centered.



c. If the walking belt slips when walked on, first remove the key and **UNPLUG THE POWER CORD**. Using the allen wrench, turn both rear roller adjustment bolts clockwise, 1/4 of a turn. When the walking belt is correctly tightened, you should be able to lift each side of the walking belt 3 to 4 inches off the walking platform. Be careful to keep the walking belt centered. Plug in the power cord, insert the key and run the treadmill for a few minutes. Repeat until the walking belt is properly tightened.



# CONDITIONING GUIDELINES

**⚠ WARNING:** Before beginning this or any exercise program, consult your physician. This is especially important for individuals over the age of 35 or individuals with pre-existing health problems.

The following guidelines will help you to plan your exercise program. Remember—these are general guidelines only. For more detailed exercise information, obtain a reputable book or consult your physician.

## EXERCISE INTENSITY

Whether your goal is to burn fat or to strengthen your cardiovascular system, the key to achieving the desired results is to exercise with the proper intensity. The proper intensity level can be found by using your heart rate as a guide. The chart below shows recommended heart rates for fat burning and aerobic exercise.

<i>MIN BPM</i> ♥	125	120	115	110	105	95	90	<i>Fat Burn</i>
	145	138	130	125	118	110	103	<i>Max Burn</i>
<i>MAX BPM</i> ♥	165	155	145	140	130	125	115	<i>Aerobic</i>
<i>AGE</i>	20	30	40	50	60	70	80	

To find the proper heart rate for you, first find your age at the bottom of the chart (ages are rounded off to the nearest ten years). Next, find the three numbers above your age. The three numbers are your “training zone.” The lower two numbers are recommended heart rates for fat burning; the higher number is the recommended heart rate for aerobic exercise.

### Fat Burning

To burn fat effectively, you must exercise at a relatively low intensity level for a sustained period of time. During the first few minutes of exercise, your body uses easily accessible carbohydrate calories for energy. Only after the first few minutes does your body begin to use stored fat calories for energy. If your goal is to burn fat, adjust the speed and incline of the treadmill until your heart rate is near one of the lower two numbers in your training zone.

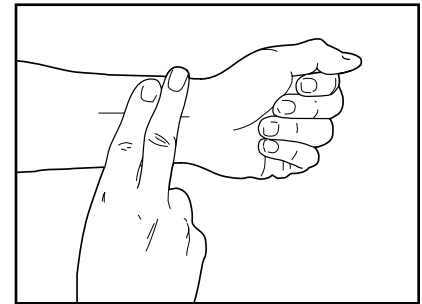
### Aerobic Exercise

If your goal is to strengthen your cardiovascular system, your exercise must be “aerobic.” Aerobic exercise is activity that requires large amounts of oxygen for

prolonged periods of time. This increases the demand on the heart to pump blood to the muscles, and on the lungs to oxygenate the blood. For aerobic exercise, adjust the speed and incline of the treadmill until your heart rate is near the higher number in your training zone.

## HOW TO MEASURE YOUR HEART RATE

To measure your heart rate, stop exercising and place two fingers on your wrist as shown. Take a six-second heart-beat count, and multiply the result by 10 to find your heart rate.



For example, if your six-second heartbeat count is 14, your heart rate is 140 beats per minute. (A six-second count is used because your heart rate will drop rapidly when you stop exercising.) Adjust the intensity of your exercise until your heart rate is at the proper level.

## WORKOUT GUIDELINES

Each workout should include the following three parts:

**A Warm-up**—Start each workout with 5 to 10 minutes of stretching and light exercise. A proper warm-up increases your body temperature, heart rate, and circulation in preparation for more strenuous exercise.

**Training Zone Exercise**—After warming up, increase the intensity of your exercise until your heart rate is in your training zone for 20 to 60 minutes. (During the first few weeks of your exercise program, do not keep your heart rate in your training zone for longer than 20 minutes.)

**A Cool-down**—Finish each workout with 5 to 10 minutes of stretching to cool down. This will increase the flexibility of your muscles and will help to prevent post-exercise problems.

### Exercise Frequency

To maintain or improve your condition, complete three workouts each week, with at least one day of rest between workouts. After a few months of regular exercise, you may complete up to five workouts each week if desired.

## SUGGESTED STRETCHES

The correct form for several basic stretches is shown at the right. Move slowly as you stretch—never bounce.

### 1. Toe Touch Stretch

Stand with your knees bent slightly and slowly bend forward from your hips. Allow your back and shoulders to relax as you reach down toward your toes as far as possible. Hold for 15 counts, then relax. Repeat 3 times. Stretches: Hamstrings, back of knees and back.

### 2. Hamstring Stretch

Sit with one leg extended. Bring the sole of the opposite foot toward you and rest it against the inner thigh of your extended leg. Reach toward your toes as far as possible. Hold for 15 counts, then relax. Repeat 3 times for each leg. Stretches: Hamstrings, lower back and groin.

### 3. Calf/Achilles Stretch

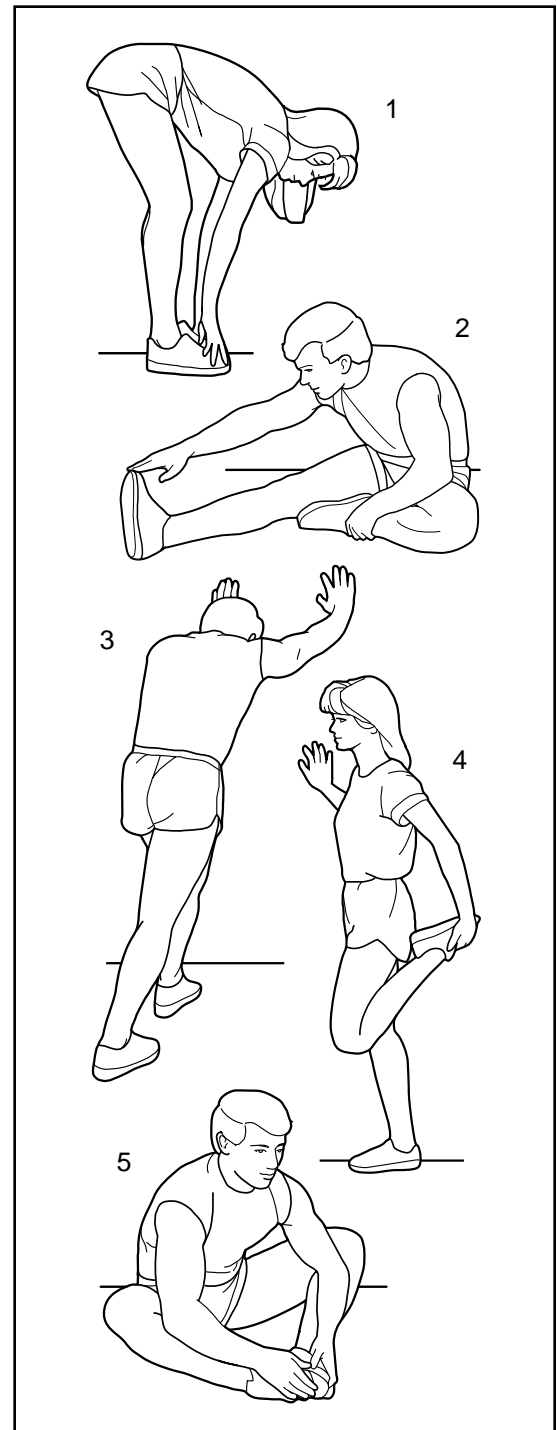
With one leg in front of the other, reach forward and place your hands against a wall. Keep your back leg straight and your back foot flat on the floor. Bend your front leg, lean forward and move your hips toward the wall. Hold for 15 counts, then relax. Repeat 3 times for each leg. To cause further stretching of the achilles tendons, bend your back leg as well. Stretches: Calves, achilles tendons and ankles.

### 4. Quadriceps Stretch

With one hand against a wall for balance, reach back and grasp one foot with your other hand. Bring your heel as close to your buttocks as possible. Hold for 15 counts, then relax. Repeat 3 times for each leg. Stretches: Quadriceps and hip muscles.

### 5. Inner Thigh Stretch

Sit with the soles of your feet together and your knees outward. Pull your feet toward your groin area as far as possible. Hold for 15 counts, then relax. Repeat 3 times. Stretches: Quadriceps and hip muscles.



# PART LIST—Model No. 831.297100

R0198A

Key No.	Qty.	Description	Key No.	Qty.	Description
1	1	Key/Clip	55	4	Handrail Washer
2	2	Handrail Arm	56	4	8" Cable Tie
3	2	Upright Endcap	57	1	On/Off Switch
4	2	Handrail Pivot Bolt	58	1	Lift Board
5	4	Rear Isolator Screw	59	1	Electronics Plate
6	1	Console Base	60	4	Plastic Stand-Off
7	4	Lower Handrail Cap	61	1	Console Wire Harness
8	6	Handrail Nut	62	2	Solid Isolator
9	1	Battery Cover	63	9	Incline Nut
10	1	Incline Motor	64	2	Incline Wheel Bolt
11*	1	Console Assembly	65	2	Incline Wheel
12	1	Storage Latch	66	2	Incline Wheel Nut
13	1	Belly Pan Connector	67	1	Belly Pan Extension
14	1	Upright/Base	68	1	Ground Wire
15	2	Handrail Bolt	69	1	Incline Leg
16	5	Handrail Washer	70	2	Upright Pivot Washer
17	1	Motor Belt	71	2	Rear Roller Adj. Bolt
18	1	Motor Swivel Nut	72	1	Rear Roller Endcap
19*	1	Motor/Pulley/Flywheel/Fan	73	1	Allen Wrench
20	1	Pulley/Flywheel/Fan	74	1	Adhesive Clip
21	1	Motor	75	1	Left Foot Rail
22	6	Motor Tension Bolt/Incline Bolt	76	1	Rear Roller
23	1	Motor Tension Washer	77	4	Platform Screw
24	1	Motor Tension Star Washer	78	1	Latch Catch
25	1	Motor Swivel Bolt	79	1	Walking Platform
26	1	Wire Harness	80	1	Walking Belt
27	2	Ground Wire Screw	81	1	Front Roller Adjustment Bolt
28	1	Hood	82	1	Shock
29	1	Hood Shield	83	1	Right Foot Rail
30	9	Screw	84	1	Sensor Clip
31	1	Latch Decal	85	1	Front Roller/Pulley
32	2	Handrail	86	1	Reed Switch
33	2	Frame Pivot Bolt	87	1	Magnet
34	2	Extension Leg Screw	88	1	Strain Relief Clip
35	38	Electronics Screw	89	1	Incline Extension
36	4	Base Pad	90	1	Frame
37	2	Wheel Bolt	91	4	3/4" Screw
38	2	Wheel	92	2	Upright Endcap Bolt
39	1	23" Cable Tie	93	2	Upright Endcap Nut
40	1	Controller	94	2	Upper Handrail Pivot Nut
41	2	Extension Leg	95	1	Grommet
42	1	Circuit Breaker	96	2	Upright Plug
43	1	Power Cord Grommet	#	1	14" White Wire, Male/Female
44	1	Power Cord	#	1	8" White Wire, 2 Female
45	2	Upright Spacer	#	1	8" Blue Wire, 2 Female
46	4	Isolator	#	1	8" Blue Wire, 2 Female
47	14	Belly Pan Fastener	#	1	4" Blue Wire, 2 Female
48	1	Choke	#	1	8" Red Wire, Male/Female
49	1	Motor Locknut	#	1	8" Green Ground Wire
50	2	Belt Guide	#	1	User's Manual
51	1	Belly Pan			
52	4	Releasable Tie			
53	4	Cable Tie Clamp			
54	1	Motor Belly Pan			

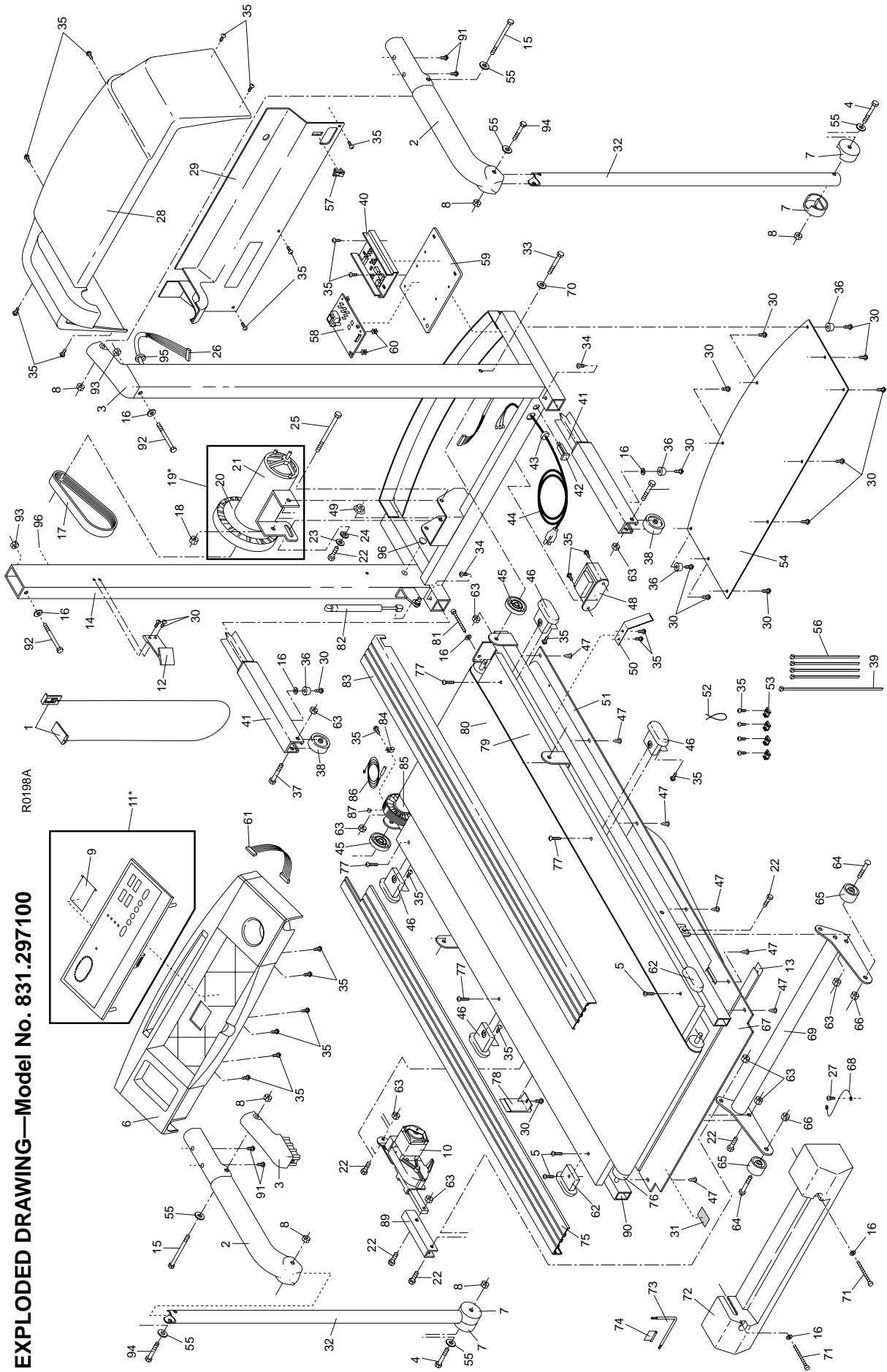
\* Includes all parts shown in the box

# These parts are not illustrated



**EXPLODED DRAWING—Model No. 831.297100**

R0198A





**Model No. 831.297100**

## QUESTIONS?

If you find that:

- you need help assembling or operating the **WESLO CADENCE® LX45 TREADMILL**
- a part is missing
- you need to schedule repair service

call our toll-free HELPLINE

**1-800-736-6879**

Monday–Saturday, 7 am–7 pm  
Central Time (excluding holidays)

## REPLACEMENT PARTS

If parts become worn and need to be replaced, call the following toll-free number

**1-800-FON-PART  
(1-800-366-7278)**

The model number and serial number of your **WESLO CADENCE® LX45 treadmill** are listed on a decal attached to the treadmill. See the front cover of this manual to find the location of the decal.

All replacement parts are available for immediate purchase or special order when you visit your nearest **SEARS Service Center**. To request service or to order parts by telephone, call the toll-free numbers listed at the left.

When requesting help or service, or ordering parts, please be prepared to provide the following information:

- The **NAME OF THE PRODUCT** (**WESLO CADENCE® LX45 treadmill**)
- The **MODEL NUMBER OF THE PRODUCT** (**831.297100**)
- The **KEY NUMBER AND DESCRIPTION OF THE PART** (see the **EXPLODED DRAWING** and **PART LIST** included in this manual)

## FULL 90 DAY WARRANTY

For 90 days from the date of purchase, if failure occurs due to defect in material or workmanship in this **SEARS TREADMILL EXERCISER**, contact the nearest **SEARS Service Center** throughout the United States and **SEARS** will repair or replace the **TREADMILL EXERCISER**, free of charge.

This warranty does not apply when the **TREADMILL EXERCISER** is used commercially or for rental purposes.

This warranty gives you specific legal rights, and you may also have other rights which vary from state to state.

**SEARS, ROEBUCK AND CO., DEPT. 817WA, HOFFMAN ESTATES, IL 60179**

## Free Manuals Download Website

<http://myh66.com>

<http://usermanuals.us>

<http://www.somanuals.com>

<http://www.4manuals.cc>

<http://www.manual-lib.com>

<http://www.404manual.com>

<http://www.luxmanual.com>

<http://aubethermostatmanual.com>

Golf course search by state

<http://golfingnear.com>

Email search by domain

<http://emailbydomain.com>

Auto manuals search

<http://auto.somanuals.com>

TV manuals search

<http://tv.somanuals.com>