

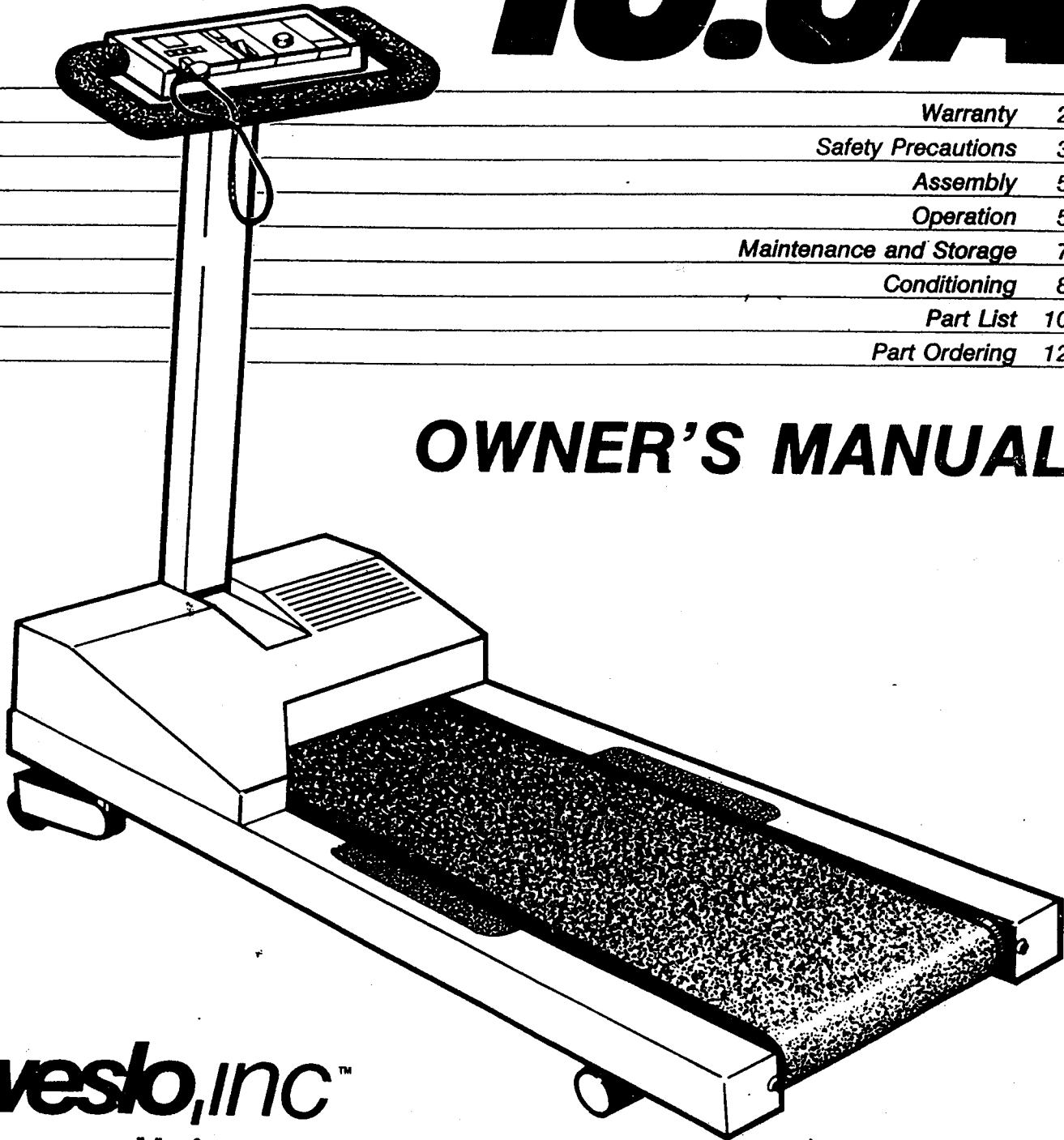
Can be used for PFI-80

Model No. TL10.0A

# CADENCE™

## AUTO INCLINE

# 10.0A



Warranty	2
Safety Precautions	3
Assembly	5
Operation	5
Maintenance and Storage	7
Conditioning	8
Part List	10
Part Ordering	12

## OWNER'S MANUAL

**weslo, inc™**

A Division of **weider®** Health and Fitness

Patent Pending

**CAUTION:** Read all instructions carefully before using this product. Retain this Owner's Manual for reference.

Part No. 046227 9/89

## LIMITED WARRANTY

Weslo, Inc. ("Weslo") warrants this product to be free from defects in workmanship and material, under normal use and service conditions, for a period of ninety (90) days from the date of purchase. This warranty extends only to the original purchaser. Weslo's obligation under this Warranty is limited to replacing or repairing, at Weslo's option, the product at one of its authorized service centers. All products for which warranty claim is made must be received by Weslo at one of its authorized service centers with all freight and other transportation charges prepaid, accompanied by sufficient proof of purchase. All returns must be pre-authorized by Weslo. Pre-authorization may be obtained by calling Weslo's Customer Service Department at 1-800-99WESLO. This warranty does not extend to any product or damage to a product caused by or attributable to freight damage, abuse, misuse, improper or abnormal usage or repairs not provided by a Weslo authorized service center or for products used for commercial or rental purposes. No other warranty beyond that specifically set forth above is authorized by Weslo.

WESLO IS NOT RESPONSIBLE OR LIABLE FOR INDIRECT, SPECIAL OR CONSEQUENTIAL DAMAGES ARISING OUT OF OR IN CONNECTION WITH THE USE OR PERFORMANCE OF THE PRODUCT OR OTHER DAMAGES WITH RESPECT TO ANY ECONOMIC LOSS, LOSS OF PROPERTY, LOSS OF REVENUES OR PROFITS, LOSS OF ENJOYMENT OR USE, COSTS OF REMOVAL, INSTALLATION OR OTHER CONSEQUENTIAL DAMAGES OF WHATSOEVER NATURE. SOME STATES DO NOT ALLOW THE EXCLUSION OR LIMITATION OF INCIDENTAL OR CONSEQUENTIAL DAMAGES. ACCORDINGLY, THE ABOVE LIMITATION MAY NOT APPLY TO YOU.

THE WARRANTY EXTENDED HEREUNDER IS IN LIEU OF ANY AND ALL OTHER WARRANTIES AND ANY IMPLIED WARRANTIES OF MERCHANTABILITY OR FITNESS FOR A PARTICULAR PURPOSE IS LIMITED IN ITS SCOPE AND DURATION TO THE TERMS SET FORTH HEREIN. SOME STATES DO NOT ALLOW LIMITATIONS ON HOW LONG AN IMPLIED WARRANTY LASTS. ACCORDINGLY, THE ABOVE LIMITATION MAY NOT APPLY TO YOU.

This warranty gives you specific legal rights. You may also have other rights which vary from state to state.

WESLO INC., P.O. BOX 10, LOGAN, UT 84321

**WARNING:** Before beginning this or any exercise program consult your physician. This is especially important for individuals over the age of 35 or persons with pre-existing health problems. Read all instructions before using. Weslo assumes no responsibility for personal injury or property damage sustained by or through the use of this Weslo product.

# **CADENCE 10.0A**

## **AUTO INCLINE**

### **IMPORTANT SAFETY PRECAUTIONS**

---

**WARNING:** To reduce the risk of burns, fire, electric shock or injury to persons, read the following important safety precautions and information before operating the treadmill.

1. Position the treadmill on a clear, level surface with a minimum of 8 feet of clearance behind the treadmill. Do not place the treadmill on thick carpet, near water or outdoors.
2. Plug the power cord directly into a grounded circuit carrying 12 or more amps. No other appliance should be on the same circuit. (See the OPERATION section of this manual for proper grounding instructions.) Keep the power cord away from heated surfaces. If an extension cord is required, use only a 14-gauge, general-purpose cord of six to ten feet in length with a three-wire conductor.
3. Never operate the treadmill if the cord or plug are damaged, or if the treadmill is not working properly. (Refer to the BEFORE YOU BEGIN section of this manual for instructions if the treadmill is not working properly.)
4. Never start the treadmill while you are standing on the walking belt. Always hold the handrail when walking or running on the treadmill.
5. Keep small children away from the treadmill during operation. Never leave the treadmill unattended while it is running.
6. Always wear appropriate clothing when using the treadmill. Do not wear flowing clothing that could become caught in the treadmill. *Always wear running or aerobic shoes. Never use the treadmill with bare feet, wearing only stockings, or in sandals.* Athletic support clothes are also recommended for both men and women.
7. Never drop or insert any object into any opening.
8. Do not operate where aerosol (spray) products are being used or where oxygen is being administered.
9. Use this treadmill only as described in this manual.
10. Always unplug the power cord before performing the maintenance and adjustment procedures described in this manual. Never remove the motor hood unless instructed to do so by an authorized service representative. Servicing other than the procedures described in this manual should be performed by an authorized service representative only.

**SAVE THESE INSTRUCTIONS**

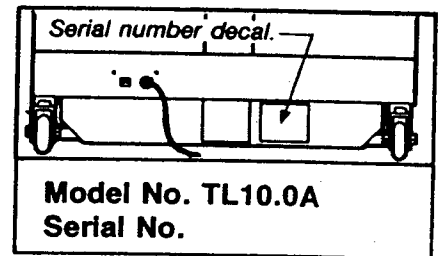
# INTRODUCTION

Thank you for purchasing a Weslo CADENCE 10.0A Auto Incline treadmill. The CADENCE 10.0A combines advanced technology with innovative design to let you enjoy one of the best forms of cardiovascular exercise at your convenience, in the privacy of your home.

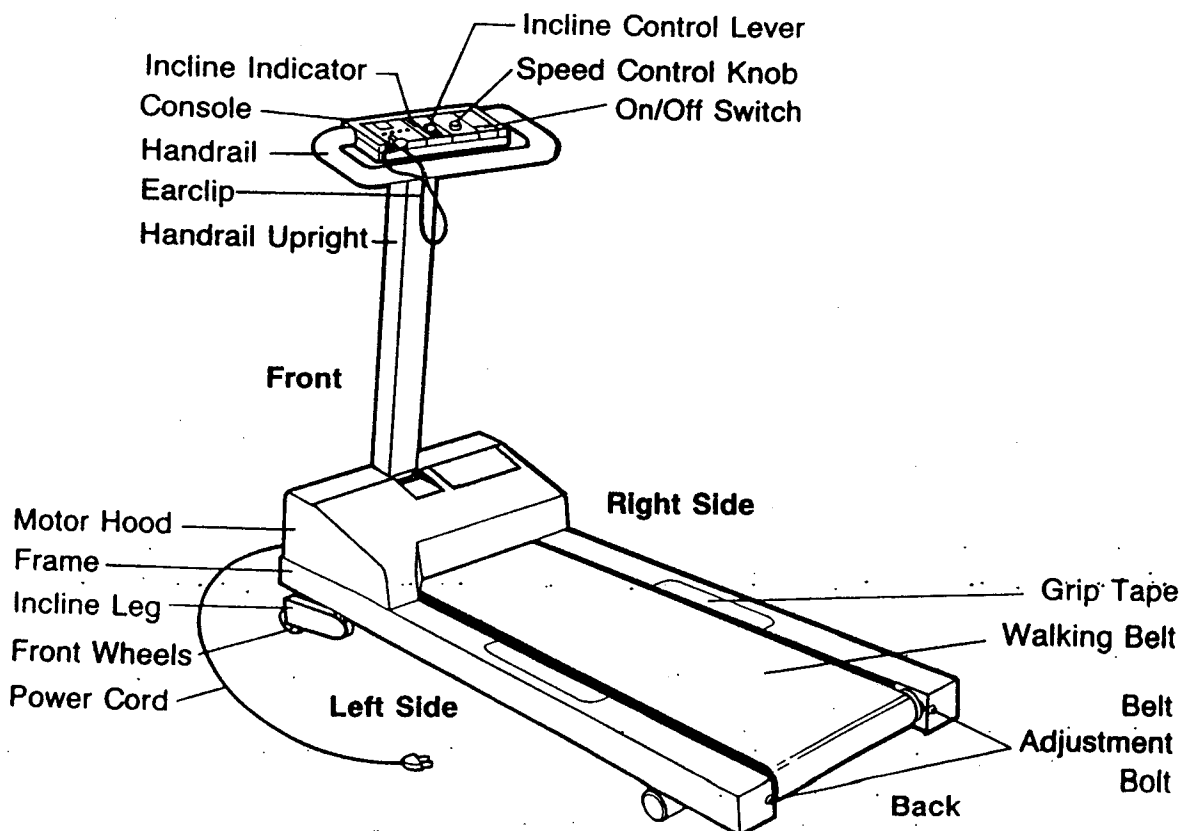
The CADENCE 10.0A is a state-of-the-art treadmill, offering many exclusive features for an effective and enjoyable workout. The CADENCE 10.0A incorporates a card-operated on/off switch, console-mounted incline control, electronic speed control and a microprocessor-based electronic exercise monitor. It even comes complete with a cooling breeze.

This manual is designed to help you understand the easy assembly and operation of this treadmill. Basic fitness guidelines are included to help you get started with your exercise program. Please read this manual carefully before initial use of the treadmill. If you have additional questions regarding operation, maintenance, or the warranty, please call our Customer Service Department toll-free at 1-800-99WESLO (1-800-999-3756), (in Canada 1-800-824-8949), during business hours: Monday - Friday, 6 a.m. - 6 p.m. Mountain Time. Please review the Exploded Drawing and the Part List in this manual before calling. If possible, place your telephone near the treadmill for easy reference.

In all correspondence regarding this product, refer to the model number (see the box to the right), and serial number (located on the front of the treadmill frame). Write the serial number in the box for easy reference.



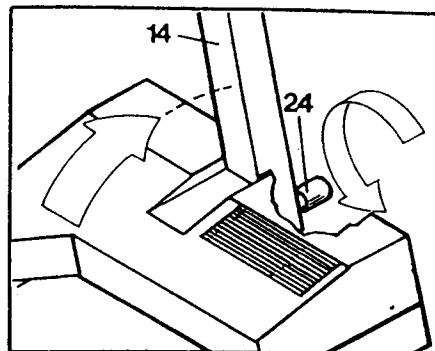
To help you understand clearly the instructions in this manual, study the drawing below and familiarize yourself with the parts labeled.



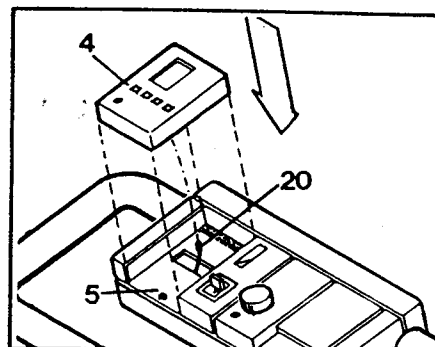
# ASSEMBLY

Set the treadmill in a clear area on the floor and remove the packing materials. **Make sure that all parts are included before disposing of the packing materials.** No tools are required for assembly.

1. Raise the Handrail Upright (14) to the vertical position and tighten the Upright Locking Knob (24).



2. Plug the Sensor Wire (20) into the back of the Electronic Monitor (4) and press the Monitor firmly into the Console (5). Make sure that all parts are tightened securely before operating the treadmill.



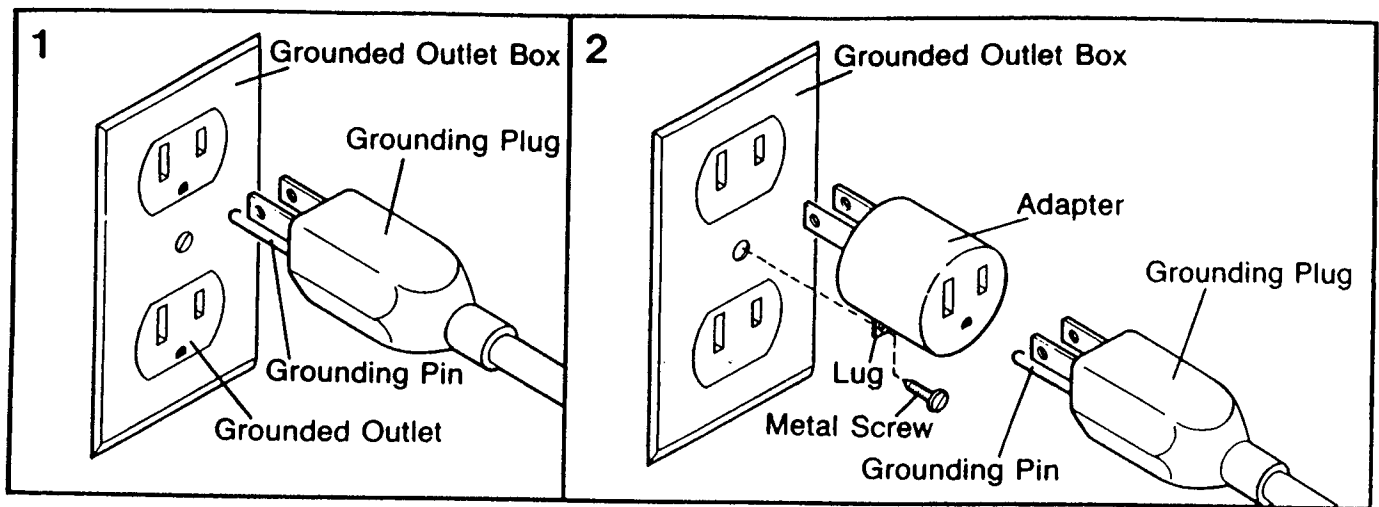
## OPERATION AND ADJUSTMENT

### GROUNDING INSTRUCTIONS

**This product must be grounded.** If it should malfunction or break down, grounding provides a path of least resistance for electric current to reduce the risk of electric shock. This product is equipped with a cord having an equipment-grounding conductor and a grounding plug. **The plug must be plugged into an appropriate outlet that is properly installed and grounded in accordance with all local codes and ordinances.**

**DANGER:** Improper connection of the equipment-grounding conductor can result in a risk of electric shock. Check with a qualified electrician or serviceman if you are in doubt as to whether the product is properly grounded. Do not modify the plug provided with the product - if it will not fit the outlet, have a proper outlet installed by a qualified electrician.

This product is for use on a nominal 120-volt circuit, and has a grounding plug that looks like the plug illustrated in Drawing 1. A temporary adapter that looks like the adapter illustrated in Drawing 2 may be used to connect this plug to a 2-pole receptacle as shown in Drawing 2 if a properly grounded outlet is not available. The temporary adapter should be used only until a properly grounded outlet (Drawing 1) can be installed by a qualified electrician. The green colored rigid ear, lug, or the like extending from the adapter **must be connected to a permanent ground** such as a properly grounded outlet box cover. Whenever the adapter is used it **must be held in place by a metal screw.** Some 2-pole receptacle outlet box covers are not grounded. **Contact a qualified electrician to determine if the outlet box cover is grounded before using an adapter.**



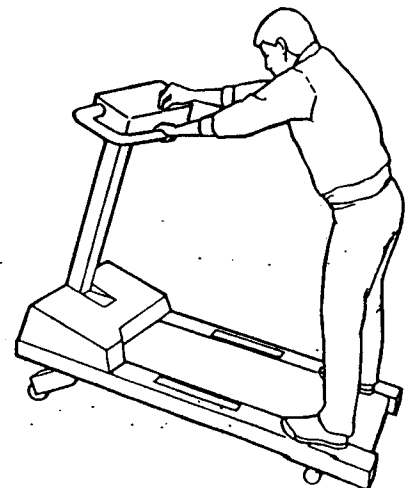
## TREADMILL OPERATION

1. Step onto the treadmill with your feet on the Grip Tape on the Frame.
2. Insert the Safety Card into the On/Off Switch and press the Switch down to turn the power on. (If the Safety Card is lost, a credit card can be used. The power cannot be turned on without a card.) **Do not lift the Switch or the Switch will be damaged.**
3. Turn the Speed Control Knob counterclockwise until it stops, and then clockwise until the Walking Belt is moving at slow speed. (The Speed Control Knob must be turned counterclockwise until it stops **each time the power is turned on.**)
4. Hold the Handrail firmly and step onto the moving Walking Belt.
5. Turn the Speed Control Knob slowly until the desired speed is reached. Turning the Knob clockwise increases the speed. Turning the Knob counterclockwise decreases the speed.
6. To turn the power off, press the On/Off Switch and remove the Safety Card.

Instructions for operating the Electronic Monitor can be found in the Operation Guide accompanying this Manual.

## INCLINE ADJUSTMENT

To increase or decrease the level of exercise difficulty, the incline of the treadmill can be changed with the Incline Control Lever on the treadmill Console. **Do not adjust the incline while you are walking or running on the treadmill.** To increase the incline, stand on the Frame, toward the back of the treadmill, and pull back the Lever. When the desired angle is reached, release the Lever. To decrease the incline, stand toward the front of the treadmill, lean forward if necessary and pull back the Lever until the desired angle is reached.



The Incline Indicator can be adjusted, if necessary, by lowering the treadmill to the lowest position and turning the small Adjustment Screw above the indicator until the bubble in the Indicator is at level 1.

# **MAINTENANCE AND STORAGE**

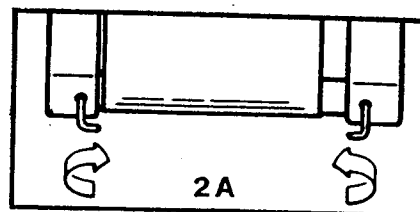
Check all parts periodically to ensure that they are tightened securely. Outside surfaces of the treadmill can be cleaned using a damp cloth and mild, non-abrasive detergent. Do not allow liquids to come in contact with the console.

## **WALKING BELT ADJUSTMENT**

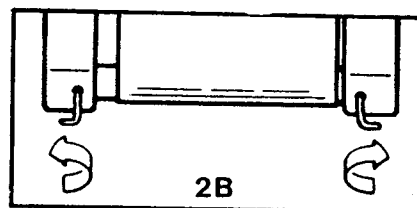
To prevent damage to the Walking Belt, always keep the Belt centered during operation. Stand beside the treadmill and turn the treadmill on at medium speed. Observe the spaces between the edges of the Walking Belt and the Frame. If the Belt is closer to one side of the Frame than to the other, center the Belt in the following manner:

1. Locate the Belt Adjustment Bolts and the Allen Wrench. **Important: Keep your hands away from the moving Walking Belt or serious injury could result.**

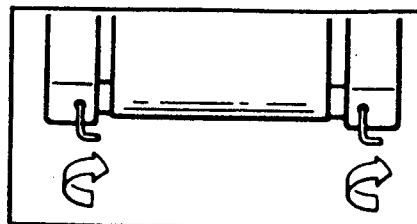
2. A. If the Walking Belt has shifted to the left side:  
Turn the left Adjustment Bolt clockwise and the right Adjustment Bolt counterclockwise, 1/8 of a turn at a time, until the Belt moves to the center.



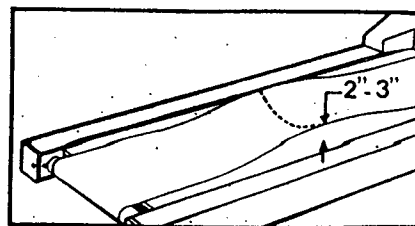
- B. If the Walking Belt has shifted to the right side:  
Turn the left Adjustment Bolt counterclockwise and the right Adjustment Bolt clockwise, 1/8 of a turn at a time, until the Belt moves to the center.



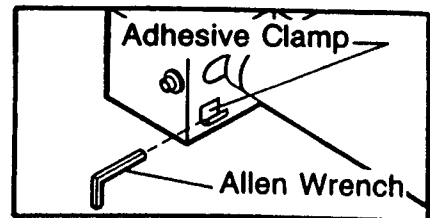
If the Walking Belt slips during operation, the tension should be adjusted. Turn both Adjustment Bolts clockwise an equal amount until the Belt no longer slips. Be careful to keep the Belt centered. **Do not over-tighten the Bolts.** Overtightening may stretch the belt, cause excessive roller noise and reduce motor performance.



To check for proper Walking Belt tightness, **unplug the Power Cord** and lift the sides of the Belt. You should be able to lift both sides approximately 2-3 inches off of the Walking Platform. The center of the Belt should remain just at the surface of the platform, causing the Belt to bow.

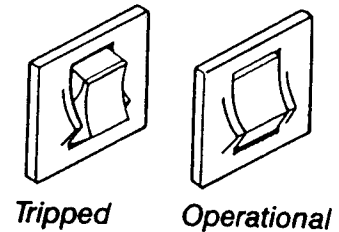


The Allen Wrench can be stored on one of the Rear Adjustment Brackets using the Self-adhesive Clamp included.



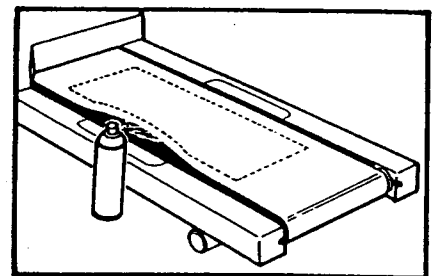
## CIRCUIT BREAKER

If the treadmill stops or will not start, check the Circuit Breaker located on the front of the Frame near the Power Cord. The Circuit Breaker is designed to protect the electrical system. If the Circuit Breaker has tripped, the switch will protrude as shown. To reset the Circuit Breaker, allow the treadmill to cool for a few minutes and then push the switch back in.



## SILICONE APPLICATION

To maintain the low-friction quality of the Walking Belt and reduce treadmill wear, a **non-oil, non-petroleum base silicone lubricant should be applied generously to the Walking Platform.** (Silicone lubricant is available at most hardware and automotive stores.) It is **very important** to apply silicone lubricant before initial use of the treadmill. Lubricant should also be applied after every 10 hours of use or whenever a decrease in performance is noticed. **Unplug the Power Cord**, lift each side of the Walking Belt and apply the lubricant generously to the area indicated in the drawing.



## STORAGE

Always unplug the Power Cord when the treadmill is not in use. To convert the treadmill to the storage position, loosen the Upright Locking Knob and carefully lower the Handrail Upright onto the treadmill. The treadmill can be moved by lifting the back end of the Frame and pushing or pulling the machine on the front wheels.

## CONDITIONING GUIDELINES

---

The following guidelines will help you to plan and regulate your personal fitness program. **However, before beginning this or any exercise program, consult your physician.** Remember that adequate rest and good nutrition are also essential to the success of any fitness program.

## EXERCISE INTENSITY

To maximize health benefits from exercising, your level of exertion must exceed mild demands while falling short of causing breathlessness and fatigue. The proper level of exertion can be determined using the heart rate as a guide. For effective aerobic exercise the heart rate must be maintained at a level between 70% and 85% of your maximum heart rate. This is your "Training Zone."



You can determine your Training Zone by consulting the table below. Training Zones are given for both conditioned and unconditioned persons. Use the column that is appropriate for you.

AGE	UNCONDITIONED TRAINING ZONE (BEATS/MIN)	CONDITIONED TRAINING ZONE (BEATS/MIN)	AGE	UNCONDITIONED TRAINING ZONE (BEATS/MIN)	CONDITIONED TRAINING ZONE (BEATS/MIN)
20	138-167	133-162	55	127-155	122-149
25	136-166	132-160	60	126-153	121-147
30	135-164	130-158	65	125-151	119-145
35	134-162	129-156	70	123-150	118-144
40	132-161	127-155	75	122-147	117-142
45	131-159	125-153	80	120-146	115-140
50	129-156	124-150	85	118-144	114-139

During the first few weeks of your exercise program you should keep your heart rate near the low end of your Training Zone. Over the course of a few months, gradually increase your heart rate until you reach the high end of your Training Zone. As your condition improves, a greater workload will be required in order to raise your heart rate to your Training Zone.

You can measure your heart rate and find the proper level of exercise intensity using the electronic monitor (see the ELECTRONIC MONITOR OPERATION GUIDE). Set the TIME SET function for 4 minutes. Press the "START/STOP" key and exercise at a comfortable pace until the 4 minutes elapse. Immediately measure your heart rate using the PULSE function. If your heart rate is below your Training Zone, increase your level of exertion. If your heart rate is too high, reduce your level of exertion.

## EXERCISE PATTERN

Each workout should consist of a basic 5-step pattern.

1. At rest
2. Warm-up
3. Training Zone exercise
4. Cool-down
5. At rest

Warming up is an important part of your workout and should not be taken lightly. Warming up prepares the body for more strenuous exercise by increasing the circulation, delivering more oxygen to the muscles, and raising the body temperature. This can be done by stretching and light calisthenics for 5-10 minutes prior to exercising.

Begin exercising at a light pace for a few minutes. Then increase the intensity to raise your heart rate to your Training Zone for a period of 20-30 minutes.

Cooling down after vigorous exercise is important in aiding circulation and preventing soreness. 5-10 minutes of light exercise or stretching will allow the body to cool down.

## EXERCISE FREQUENCY

To maintain or improve your condition you must work out 2-3 times per week following the pattern described above. A day of rest between workouts is recommended. After several months of exercise the number of workouts can be increased to 4-5 times per week. The key to a successful program is REGULAR EXERCISE.

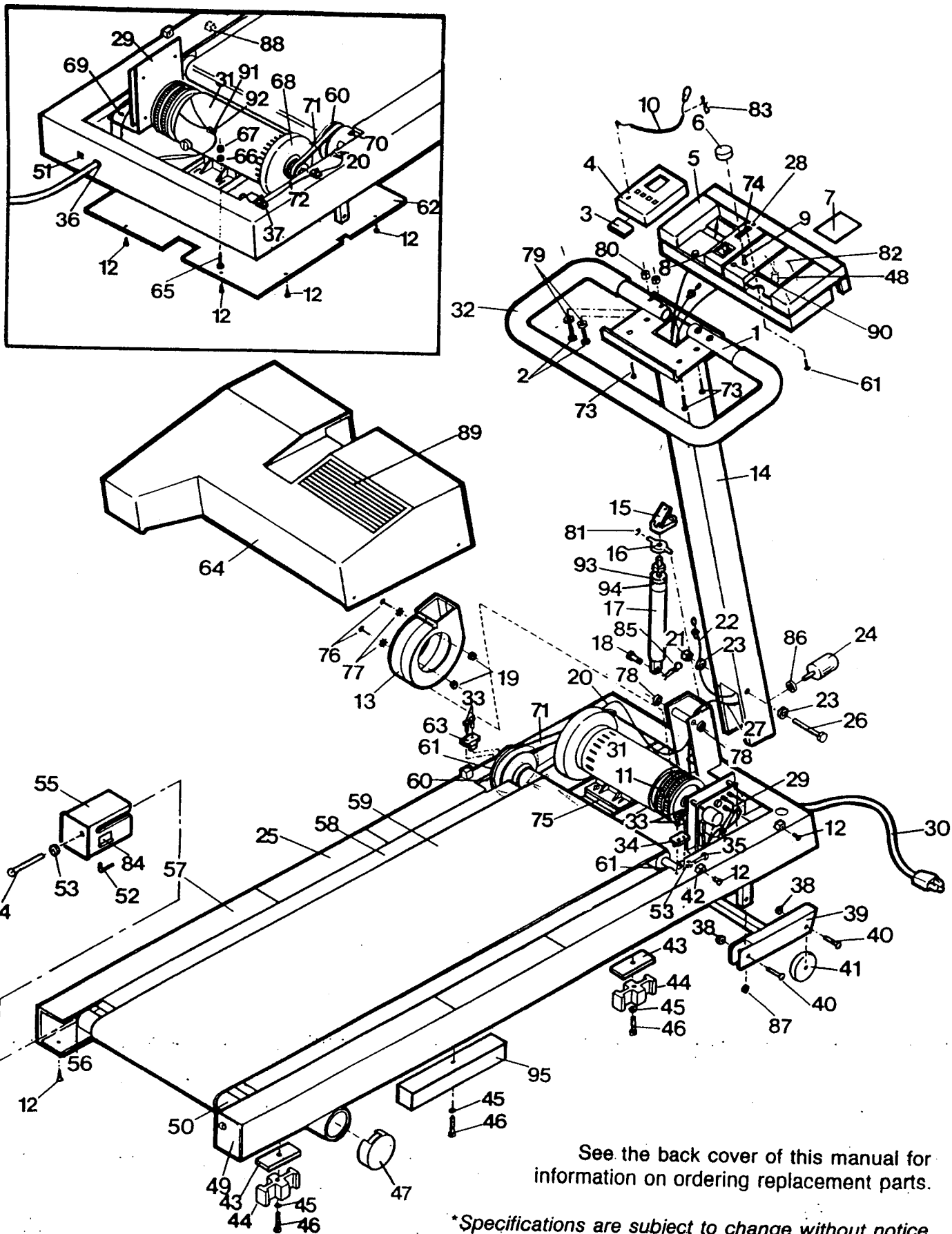
# **PART LIST - Model No. TL10.0A**

Rev. 9/89

<b>Key No.</b>	<b>Qty.</b>	<b>Description</b>	<b>Key No.</b>	<b>Qty.</b>	<b>Description</b>
1	1	Handrail	49	1	Belt Adj. Bracket (R)
2	4	Handrail Bolt	50	1	Rear Roller
3	1	Battery Cover	51	1	Circuit Breaker
4	1	Electronic Monito	52	1	Allen Wrench
5	1	Console	53	3	Adj. Bracket Washer
6	1	Speed Control Knob	54	2	Rear Belt Adj. Bolt
7	1	Safety Card	55	1	Belt Adj. Bracket (L)
8	1	Incline Control Lever	56	4	Roller Bushing
9	1	Potentiometer Assembly	57	1	Frame
10	1	Earclip	58	1	Wood Platform
11	1	Fan	59	1	Walking Belt
12	16	Small Screw	60	1	Front Roller/Pulley
13	1	Fan Shroud	61	1	Indicator Mount Assembly
14	1	Handrail Upright	62	1	Safety Cover
15	1	Lift Cylinder Release	63	2	Roller Lock (L)
16	1	Threaded Pin	64	1	Motor Hood
17	1	Lift Cylinder	65	4	Motor Mount Bolt
18	1	Cylinder Pin	66	4	Motor Mount Washer
19	2	Shroud Clip	67	4	Motor Mount Nut
20	1	Sensor Wire/Reed Switch	68	1	Flywheel
21	1	Pivot Nut	69	2	Controller Mtg. Screw
22	1	Incline Cable	70	1	Magnet
23	2	Pivot Washer	71	1	V-Belt
24	1	Upright Locking Knob	72	1	Motor Pulley
25	2	Grip Tape	73	4	Console Mounting Screw
26	1	Pivot Bolt	74	1	Incline Indicator
27	1	On/Off Switch Wire	75	2	Motor Mount Spacer
28	1	Indicator Adj. Screw	76	2	Fan Shroud Screw
29	1	Controller	77	2	Shroud Star Washer
30	1	Power Cord	78	2	Inner Pivot Washer
31	1	Motor	79	4	Handlebar Washer
32	1	Handrail Foam Grip	80	4	Handlebar Nut
33	4	Roller Lock Bolt	81	2	E-Clip
34	1	Roller Lock (R)	82	1	Safety Switch Assembly
35	1	Front Belt Adj. Bolt	83	1	Clothes Clip
36	4	Rubber Grommet	84	1	Self-Adhesive Clamp
37	4	Sensor Wire Clip	85	1	Cotter Pin
38	4	Locknut	86	1	Upright Knob Washer
39	1	Incline Leg	87	2	Incline Pivot Washer
40	4	Leg Bolt	88	6	Platform Bumper
41	2	Front Wheel	89	1	Motor Hood Grill
42	6	Hood Mount Anchor	90	1	Power Light
43	4	Rubber Fitting	91	1	Cable Mount
44	4	Support Block	92	1	Cable Tie
45	6	Support Washer	93	1	Large Flat Washer
46	6	Support Bolt	94	1	Rubber Shock Cushion
47	2	Rear Leg Endcap	95	2	Wood Support
48	1	On/Off Switch	#	1	Owner's Manual
			#	1	Monitor Operation Guide

# EXPLODED DRAWING - Model No. TL10.0A

Rev. 9/89



See the back cover of this manual for information on ordering replacement parts.

\*Specifications are subject to change without notice.

# **ORDERING REPLACEMENT PARTS**

---

Replacement parts can be ordered by calling our Customer Service Department toll-free at **1-800-99WESLO (999-3756)**, (in Canada at **1-800-824-8949**) during our regular business hours: Monday - Friday, 6 a.m. - 6 p.m., Mountain Time.

When ordering parts, please be prepared to give the following information.

1. The MODEL NUMBER OF THE PRODUCT (TL10.0A).
2. The NAME OF THE PRODUCT (CADENCE 10.0A Auto Incline treadmill).
3. The SERIAL NUMBER OF THE PRODUCT (see page 4 of this manual).
4. The KEY NUMBER OF THE PART from the Part List in this manual.
5. The DESCRIPTION OF THE PART from the Part List in this manual.

If possible, place your telephone near the CADENCE 10.0A for easy reference.

## Free Manuals Download Website

<http://myh66.com>

<http://usermanuals.us>

<http://www.somanuals.com>

<http://www.4manuals.cc>

<http://www.manual-lib.com>

<http://www.404manual.com>

<http://www.luxmanual.com>

<http://aubethermostatmanual.com>

Golf course search by state

<http://golfingnear.com>

Email search by domain

<http://emailbydomain.com>

Auto manuals search

<http://auto.somanuals.com>

TV manuals search

<http://tv.somanuals.com>