

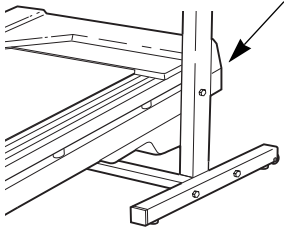
# WESLO<sup>®</sup> cadence DL15

Model No. WLTL41582

Serial No. \_\_\_\_\_

Write the serial number in the space above for future reference.

Serial Number Decal



## QUESTIONS?

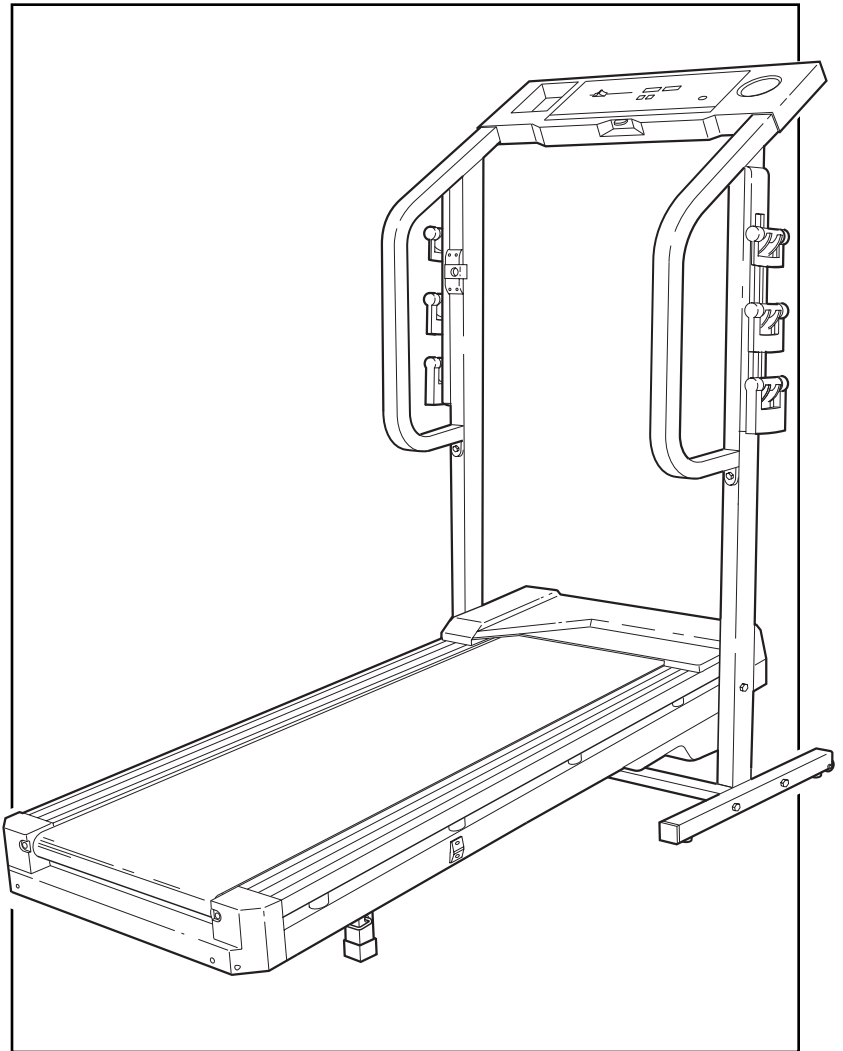
As a manufacturer, we are committed to providing complete customer satisfaction. If you have questions, or if there are missing or damaged parts, we will guarantee complete satisfaction through direct assistance from our factory.

**TO AVOID UNNECESSARY DELAYS, PLEASE CALL DIRECT TO OUR TOLL-FREE CUSTOMER HOT LINE.** The trained technicians on our customer hot line will provide immediate assistance, free of charge to you.

**CUSTOMER HOT LINE:**

**1-800-999-3756**

Mon.-Fri., 6 a.m.-6 p.m. MST



## CAUTION

Read all precautions and instructions in this manual before using this equipment. Save this manual for future reference.

## USER'S MANUAL

# TABLE OF CONTENTS

IMPORTANT PRECAUTIONS .....	2
BEFORE YOU BEGIN .....	4
ASSEMBLY .....	5
OPERATION AND ADJUSTMENT .....	7
HOW TO FOLD AND MOVE THE TREADMILL .....	10
MAINTENANCE AND TROUBLE-SHOOTING .....	12
CONDITIONING GUIDELINES .....	14
ORDERING REPLACEMENT PARTS .....	Back Cover
LIMITED WARRANTY .....	Back Cover

Note: A PART LIST and an EXPLODED DRAWING are attached in the center of this manual. Remove the PART LIST and EXPLODED DRAWING before beginning assembly.

## IMPORTANT PRECAUTIONS

**⚠ WARNING:** To reduce the risk of burns, fire, electric shock, or injury to persons, read the following important precautions and information before operating the treadmill.

1. It is the responsibility of the owner to ensure that all users of this treadmill are adequately informed of all warnings and precautions.
2. Use the treadmill only as described.
3. Place the treadmill on a level surface, with eight feet of clearance behind it. Do not place the treadmill on a surface that blocks any air openings. To protect the floor or carpet from damage, place a mat under the treadmill.
4. Keep the treadmill indoors, away from moisture and dust. Do not put the treadmill in a garage or covered patio, or near water.
5. Do not operate the treadmill where aerosol products are used or where oxygen is being administered.
6. Keep children under the age of 12 and pets away from the treadmill at all times.
7. The treadmill should not be used by persons weighing more than 250 pounds.
8. Never allow more than one person on the treadmill at a time.
9. Wear appropriate exercise clothing when using the treadmill. Do not wear loose clothing that could become caught in the treadmill. Athletic support clothes are recommended for both men and women. Always wear athletic shoes. Never use the treadmill with bare feet, wearing only stockings, or in sandals.
10. When connecting the power cord (see HOW TO PLUG IN THE POWER CORD on page 7), plug the power cord into a surge protector (not included) and plug the surge protector into a grounded circuit capable of carrying 15 or more amps. No other appliance should be on the same circuit.
11. Use only a UL-listed surge protector, rated at 15 amps, with a 14-gauge cord of five feet or less in length. Do not use an extension cord.
12. Keep the power cord and the surge protector away from heated surfaces.
13. Never move the walking belt while the power is turned off. Do not operate the treadmill if the power cord or plug is damaged, or if the treadmill is not working properly. (See BEFORE YOU BEGIN on page 4 if the treadmill is not working properly.)
14. Never start the treadmill while you are standing on the walking belt. Always hold the handrails while using the treadmill.
15. The treadmill is capable of high speeds. Adjust the speed in small increments to avoid sudden jumps in speed.

16. The pulse sensor is not a medical device. Various factors, including the user's movement, may affect the accuracy of heart rate readings. The pulse sensor is intended only as an exercise aid in determining heart rate trends in general.
17. To reduce the possibility of the treadmill overheating, do not operate the treadmill continuously for longer than one hour.
18. Never leave the treadmill unattended while it is running. Always remove the key when the treadmill is not in use.
19. Do not attempt to raise, lower, or move the treadmill until it is properly assembled. (See ASSEMBLY on page 5, and HOW TO MOVE THE TREADMILL on page 11.) You must be able to safely lift 45 pounds (20 kg) to raise, lower, or move the treadmill.
20. When storing the treadmill, make sure that the storage latch is fully closed.
21. Inspect and tighten all parts of the treadmill every three months.
22. Never drop or insert any object into any opening.
23. Do not attempt to modify the incline of the treadmill by placing objects under the front or rear of the treadmill.
24. Do not perform exercises with the hand weights at speeds higher than a walk. Using weights and not holding the handrails may compromise your ability to maintain your balance. Exercises using weights should be attempted only by experienced users.
25. **DANGER:** Always unplug the power cord immediately after use, before cleaning the treadmill, and before performing the maintenance and adjustment procedures described in this manual. Never remove the motor hood unless instructed to do so by an authorized service representative. Servicing other than the procedures in this manual should be performed by an authorized service representative only.
26. This treadmill is intended for in-home use only. Do not use this treadmill in any commercial, rental, or institutional setting.

**⚠ WARNING:** Before beginning this or any exercise program, consult your physician. This is especially important for persons over the age of 35 or persons with pre-existing health problems. Read all instructions before using. ICON assumes no responsibility for personal injury or property damage sustained by or through the use of this product.

## SAVE THESE INSTRUCTIONS

The decal shown at the right has been placed on your treadmill. If the decal is missing, or if it is not legible, please call our Customer Service Department, toll-free, to order a free replacement decal (see ORDERING REPLACEMENT PARTS on the back cover of this manual). Apply the decal in the location shown.

**⚠ ATTENTION**

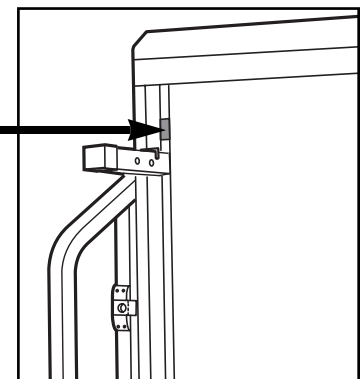
- Gardez les enfants éloignés du tapis roulant en tout temps.
- Veuillez vous assurer que le loquet de rangement est complètement fermé avant de déplacer le tapis roulant ou de le ranger.

---

**⚠ WARNING**

- Never allow children to play on or around treadmill.
- Storage latch must be fully engaged before treadmill is moved or stored.

PART#138641



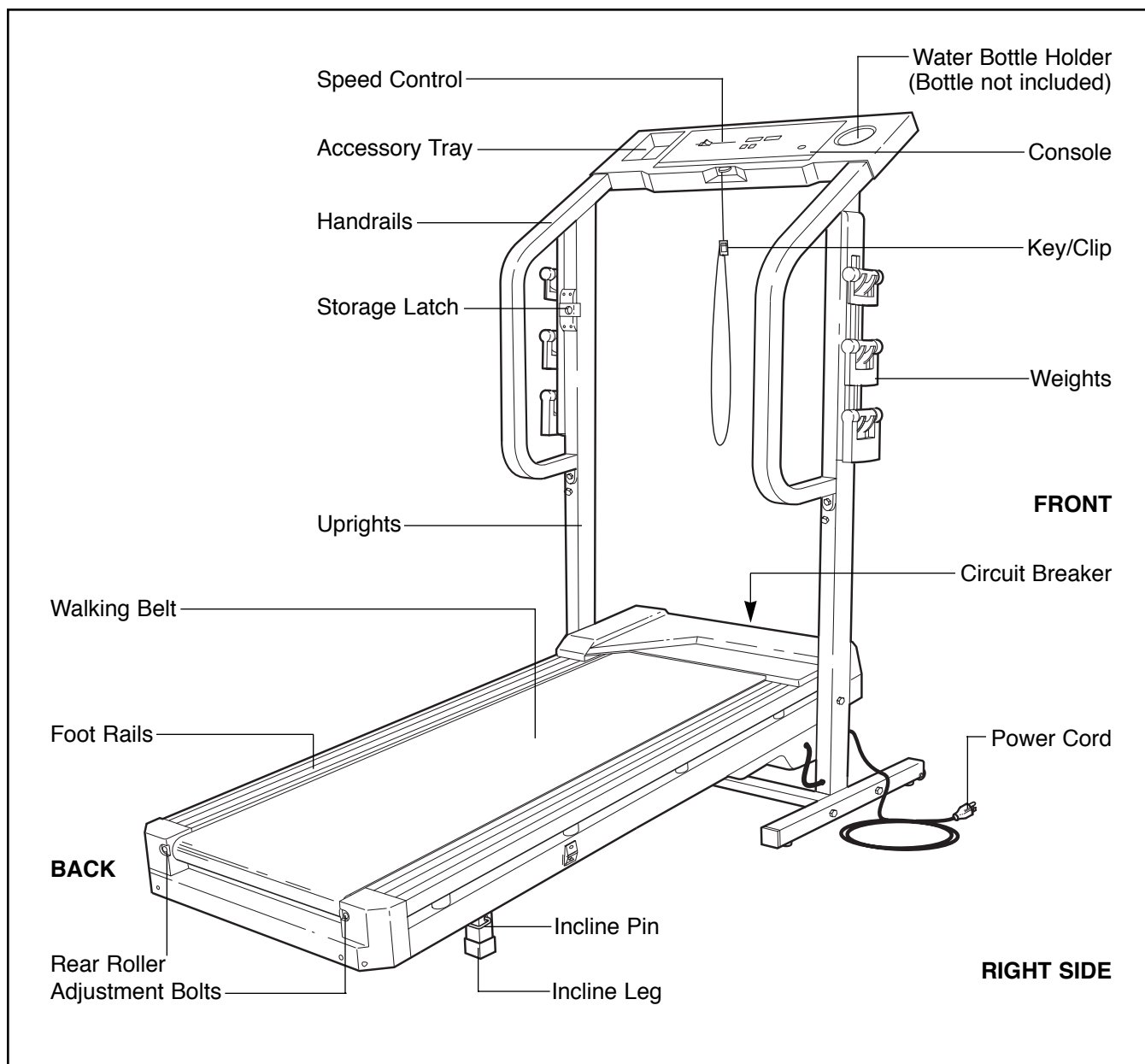
# BEFORE YOU BEGIN

Thank you for selecting the WESLO® CADENCE DL15 treadmill. The CADENCE DL15 combines advanced technology with innovative design to let you enjoy an excellent form of cardiovascular exercise in the convenience and privacy of your home. And when you're not exercising, the CADENCE DL15 can be folded up, requiring less than half the floor space of other treadmills.




**For your benefit, read this manual carefully before using the treadmill.** If you have additional questions, please call our Customer Service Department toll-free

at 1-800-999-3756, Monday through Friday, 6 a.m. until 6 p.m. Mountain Time (excluding holidays). To help us assist you, please note the product model number and serial number before calling. The model number of the treadmill is WLT41582. The serial number can be found on a decal attached to the treadmill (see the front cover of this manual for the location).

Before reading further, please familiarize yourself with the parts that are labeled in the drawing below.



# ASSEMBLY

**Assembly requires two people.** Set the treadmill in a cleared area and remove all packing materials. Do not dispose of the packing materials until assembly is completed. Refer to the drawings below to identify the small parts used in assembly. **Assembly requires your own phillips screwdriver** , **two adjustable wrenches** , **and scissors** .

1. Note that the Right Handrail and the Console Base (not shown) are connected to the treadmill by a Wire Harness. **During assembly steps 1 through 5, be careful not to pull on or damage the Wire Harness.**

With the help of a second person, carefully lay the treadmill on its side. Position one of the Base Legs (38) on the base of the Upright (31) as shown. Make sure that the Base Leg Pads (41) and the Front Wheel (39) are in the indicated positions. Attach the Base Leg with two 3/8" x 2" Bolts (43), two 3/8" Washers (44) and two 3/8" Nuts (34).

Carefully turn the treadmill onto its other side. Assemble the other Base Leg (38) as described.

With the help of a second person, carefully raise the treadmill to the upright position so the Base Legs (38) are resting flat on the floor.

2. Without removing the tape from the Latch (18), hold the Latch against the left Upright as shown. Attach the Latch to the left Upright (31) with the four short Screws (69). **Make sure that the Screws are tight, but do not overtighten them; if the Screws are overtightened, the Latch will not slide smoothly.** After the Latch is attached, remove any visible tape.

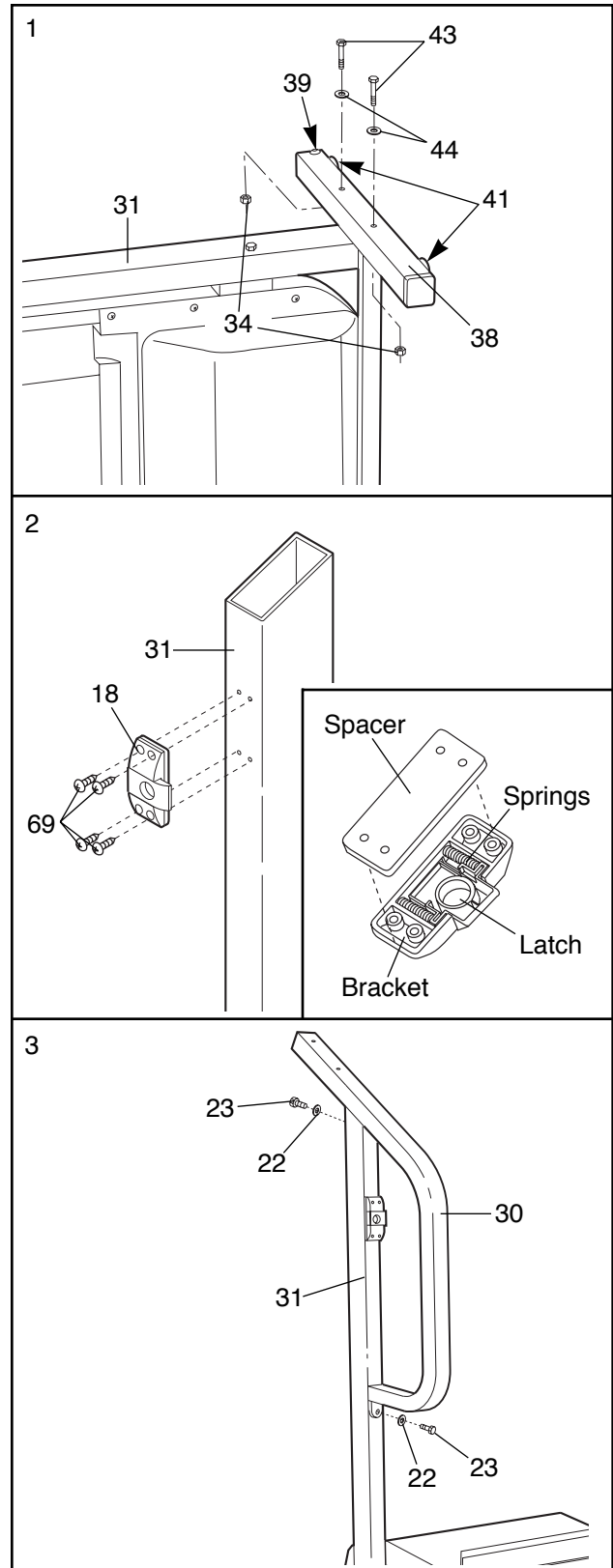
Note: The inset drawing shows how the parts of the Latch (18) fit together.

3. Refer to HOW TO LOWER THE TREADMILL FOR USE on page 11. Follow the instructions in step 2 to lower the treadmill.

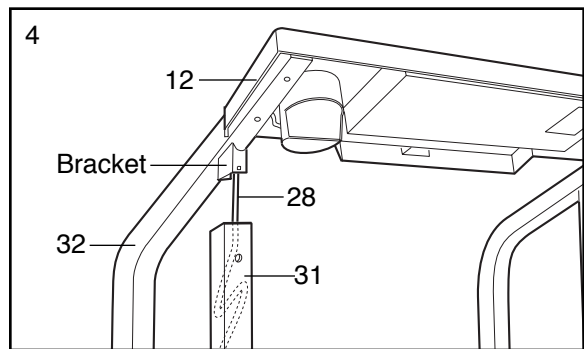
Cut the plastic ties that hold the cage nuts in each Handrail (30, 32 [not shown]).

Position the Left Handrail (30) on the left Upright (31). Thread a 1/4" x 1" Bolt (23) with a 1/4" Washer (22) only a couple of turns into the upper end of the left Upright and the Left Handrail. **Do not tighten the Bolt yet.**

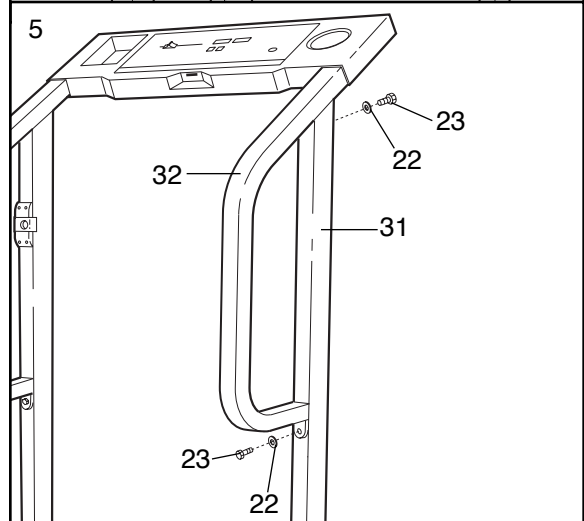
Thread a 1/4" x 1" Bolt (23) with a 1/4" Washer (22) only a couple of turns into the lower end of the Left Handrail (30) and the left Upright (31). **Do not tighten the Bolt yet.**



- With the help of a second person, hold the Console Base (12) and the Right Handrail (32) near the right Upright (31) as shown. Feed the excess Wire Harness (28) into the Handrail (32) and then insert it down the right Upright. Next, insert the bracket on the Right Handrail into the right Upright. **Be careful not to pinch the Wire Harness.**

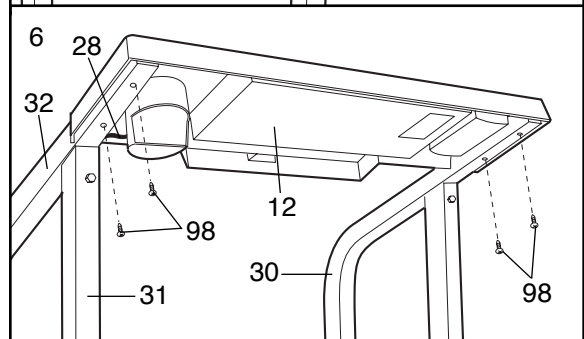


- Thread a 1/4" x 1" Bolt (23) with a 1/4" Washer (22) only a couple of turns into the upper end of the right Upright (31) and the Right Handrail (32). **Do not tighten the Bolt yet.**



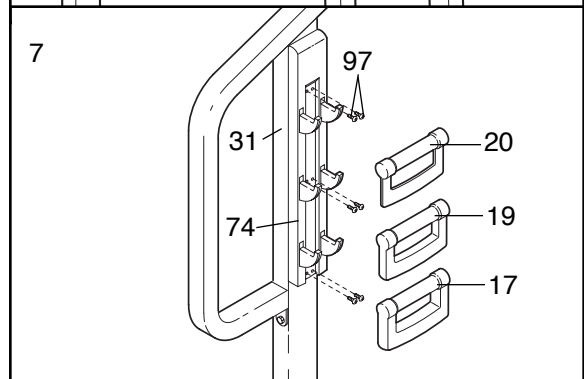
Thread a 1/4" x 1" Bolt (23) with a 1/4" Washer (22) only a couple of turns into the lower end of the Right Handrail (32) and the right Upright (31). **Do not tighten the Bolt yet.**

- Set the Console Base (12) on the Handrails (30, 32). Make sure that the Wire Harness (28) is out of the way as you loosely thread four 1 1/4" Screws (98) into the Handrails and the Console Base. Next, push the Wire Harness down the right Upright (31). It may be necessary to pull the Wire Harness out the bottom of the right Upright.



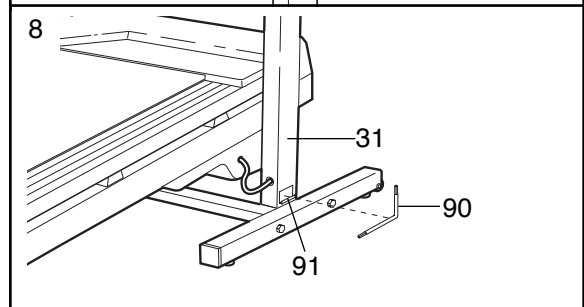
**Tighten all parts used in steps 3 and 5. Then, tighten the 1 1/4" Screws (98) used in this step.**

- Remove the six Weight Rack Screws (97) from the right Upright (31). Attach a Weight Rack (74) to the right Upright with the Weight Rack Screws. Attach the other Weight Rack to the left Upright (not shown) in the same way.



Put the two 2-lb. Weights (20) on the upper hooks on the Weight Racks (74), the 3-lb. Weights (19) on the center hooks, and the 4-lb. Weights (17) on the lower hooks.

- Remove the backing from the Wrench Clip (91). Press the Wrench Clip onto the base of the right Upright (31) in the indicated location. Press the Allen Wrench (90) into the Wrench Clip.



- Make sure that all parts are tightened before you use the treadmill.** To protect the floor or carpet, place a mat under the treadmill.

# OPERATION AND ADJUSTMENT

## THE PERFORMANT LUBE™ WALKING BELT

Your treadmill features a walking belt coated with PERFORMANT LUBE™, a high-performance lubricant. **IMPORTANT: Never apply silicone spray or other substances to the walking belt or the walking platform. They will deteriorate the walking belt and cause excessive wear.**

## HOW TO PLUG IN THE POWER CORD

**⚠ DANGER:** Improper connection of the equipment-grounding conductor can result in an increased risk of electric shock. Check with a qualified electrician or serviceman if you are in doubt as to whether the product is properly grounded. Do not modify the plug provided with the product—if it will not fit the outlet, have a proper outlet installed by a qualified electrician.

Your treadmill, like any other type of sophisticated electronic equipment, can be seriously damaged by sudden voltage changes in your home's power. Voltage surges, spikes, and noise interference can result from weather conditions or from other appliances being turned on or off. **To decrease the possibility of your treadmill being damaged, always use a surge protector (not included) with your treadmill.**

Surge protectors are sold at most hardware stores and department stores. Use only a UL-listed surge protector, rated at 15 amps, with a 14-gauge cord of five feet or less in length.

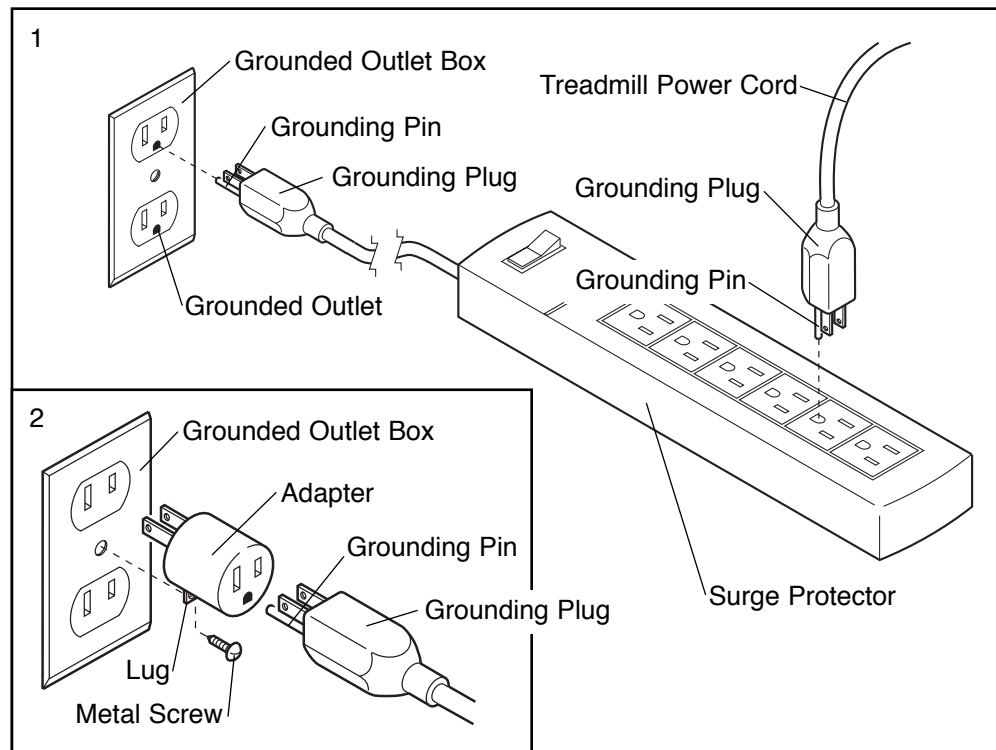
**This product must be grounded.** If it should malfunction or break down, grounding provides a path of least resistance for electric current to reduce the

risk of electric shock. This product is equipped with a cord having an equipment-grounding conductor and a grounding plug. **Plug the power cord into a surge protector, and plug the surge protector into an appropriate outlet that is properly installed and grounded in accordance with all local codes and ordinances.**

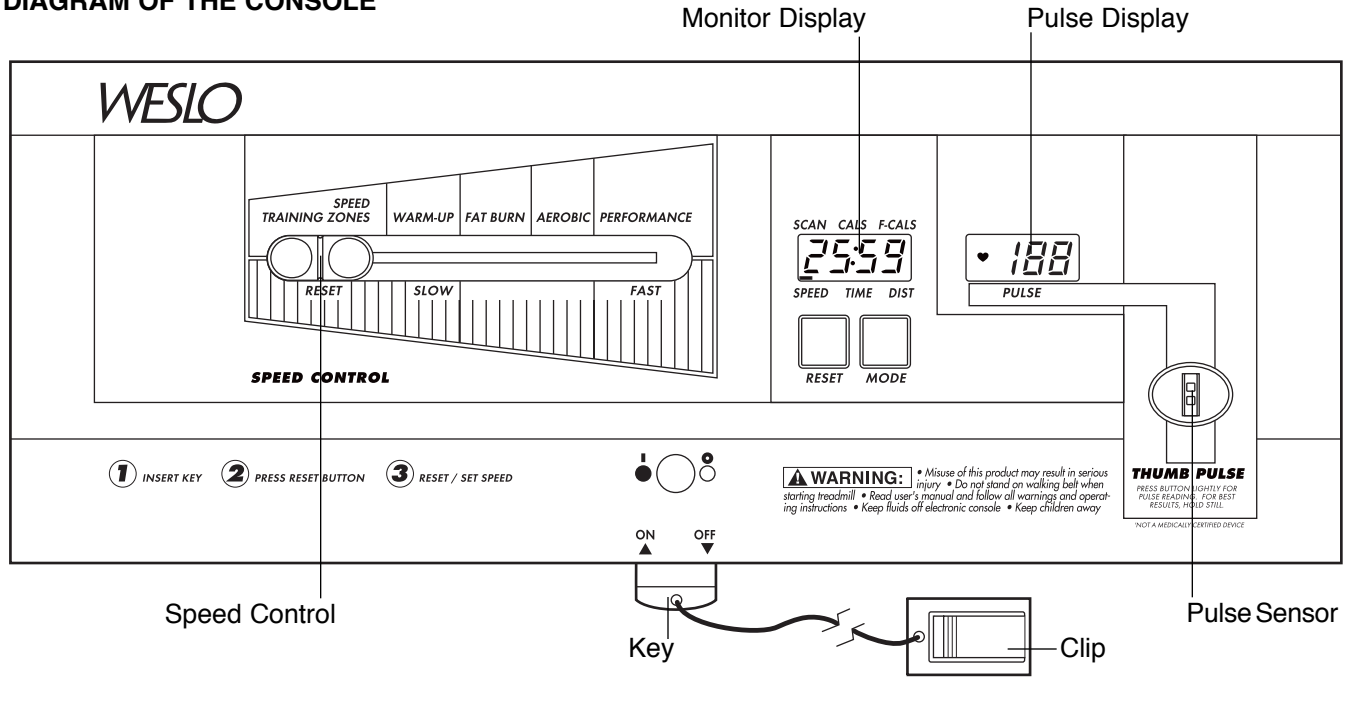
This product is for use on a nominal 120-volt circuit, and has a grounding plug that looks like the plug illustrated in drawing 1 below. A temporary adapter that looks like the adapter illustrated in drawing 2 may be used to connect the surge protector to a 2-pole receptacle as shown in drawing 2 if a properly grounded outlet is not available.

The temporary adapter should be used only until a properly grounded outlet (drawing 1) can be installed by a qualified electrician.

The green-colored rigid ear, lug, or the like extending from the adapter must be connected to a permanent ground such as a properly grounded outlet box cover. Whenever the adapter is used it must be held in place by a metal screw. **Some 2-pole receptacle outlet box covers are not grounded. Contact a qualified electrician to determine if the outlet box cover is grounded before using an adapter.**



## DIAGRAM OF THE CONSOLE

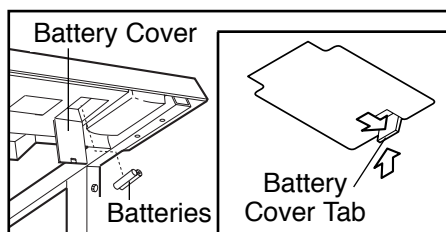


### **CAUTION:** Before operating the console, read the following precautions.

- Do not stand on the walking belt when turning on the power.
- Always wear the clip (see the drawing above) while operating the treadmill. When the key is removed from the console, the walking belt will stop.
- Adjust the speed in small increments.
- The training zones marked above the speed control are general guidelines only. See page 14 or more information.
- To reduce the possibility of electric shock, keep the console dry. Avoid spilling liquids on the console and use only a sealable water bottle.

## BATTERY INSTALLATION

The console requires two "AA" batteries (not included). Alkaline batteries are recommended. To install batteries, open the battery cover as shown at the right. Press the batteries into the battery compartment.



ment, with the negative (-) ends of the batteries touching the springs. Close the battery cover, push up on the tab, and then push the tab forward as shown in the inset drawing. Be sure that the tab locks into place.

## STEP BY STEP CONSOLE OPERATION

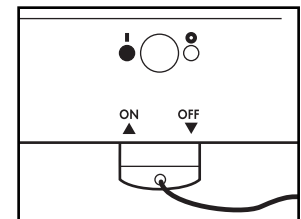
Before operating the console, make sure that the power cord is properly plugged in. (See HOW TO PLUG IN THE POWER CORD on page 7.) In addition, make sure that batteries are installed in the console. If there is a thin sheet of clear plastic on the console, remove it.

When you are ready to begin exercising, step onto the foot rails of the treadmill. Next, find the clip attached to the key (see the drawing above). Slide the clip onto your waistband.

Follow the steps below to operate the console.

### **1** Insert the key fully into the power switch.

Inserting the key will not turn on the displays. The displays will turn on when the MODE button is pressed or when the walking belt is started. Note: If you just installed batteries, the displays will already be on.



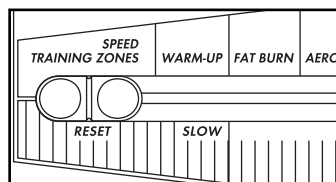


## 2 Reset the console and start the walking belt.

Move the speed control to the RESET position.

**Note: Each time the walking belt is stopped, the speed control**

**must be moved to the RESET position before the walking belt can be restarted.**

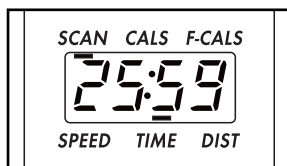


Next, slowly move the speed control until the walking belt begins to move at slow speed. Carefully step onto the walking belt and begin exercising. Change the speed of the walking belt as desired by moving the speed control.

To stop the walking belt, step onto the foot rails and move the speed control to the RESET position.

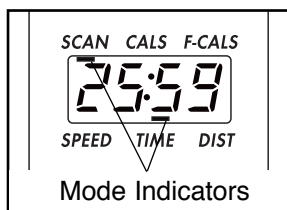
## 3 Follow your progress with the monitor display.

The monitor display offers six modes that provide instant exercise feedback:



- Speed—This mode shows your speed, in miles per hour.
- Time—This mode shows the elapsed time.
- Distance (DIST)—This mode shows the total number of miles you have walked or run.
- Fat Calories (FAT CALS)—This mode shows the approximate number of fat calories you have burned. (See FAT BURNING on page 14.)
- Calories (CALS)—This mode shows the approximate number of calories you have burned.
- Scan—This mode displays the other five modes, for five seconds each, in a repeating cycle.

When the power is turned on, the Scan mode will be selected. One mode indicator will appear by the word SCAN, and another mode indicator will show which mode is currently displayed.



If desired, the Speed, Time, Distance, Fat Calories or Calories mode can be individually selected. Press the MODE button repeatedly until the desired mode indicator appears. Make sure that there is not a mode indicator by the word SCAN.

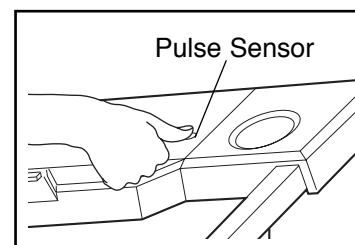
If desired, the display can be reset by pressing the RESET button.

## 4 Measure your pulse, if desired.

When you are not using the pulse sensor, a "O" will appear in the pulse display. To measure your pulse, stand on the foot rails and place your thumb on the pulse sensor as shown. The pulse sensor is pressure activated—fully press it down.

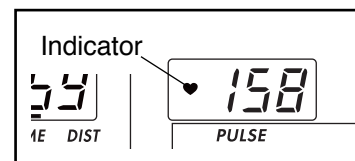
**Do not press too hard, or the circulation in your thumb**

**will be restricted, and your pulse will not be detected.** Next, raise your thumb slightly until the heart-shaped indicator in the pulse display flashes steadily. Hold your thumb at this level. After a few seconds, three dashes will appear in the



pulse display and your pulse will be shown. Hold your thumb on the

sensor for another 15 seconds for the most accurate reading. If the displayed pulse appears to be too high or too low, or if your pulse is not displayed, lift your thumb off the sensor and allow the display to reset. Press down again on the sensor as described above.



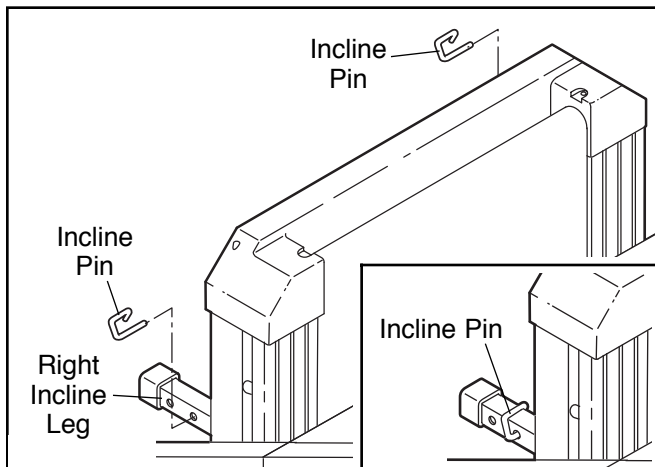
Make sure that your thumb is positioned as shown, and that you are applying the proper amount of pressure to the pulse sensor. Try the sensor several times until you become familiar with it. Remember to stand still while measuring your pulse.

## 5 Turn off the power.

**To turn off the power, simply wait for about six minutes.** If the walking belt is not moved and the console buttons are not pressed for six minutes, the power will turn off automatically.

## HOW TO CHANGE THE INCLINE OF THE TREADMILL

To vary the intensity of your exercise, the incline of the treadmill can be changed. There are three different incline levels. **Before changing the incline, first remove the key and unplug the power cord.** Next, fold the treadmill to the storage position (see HOW TO FOLD THE TREADMILL FOR STORAGE below).



To change the incline, remove the incline pin from the right incline leg as shown.

Adjust the incline leg to the desired height and fully reinsert the incline pin. Make sure that the incline pin is in the "locked" position shown in the inset drawing.

Adjust the left incline leg in the same manner. **Make sure that both incline pins are inserted from the direction shown.**

**CAUTION: Before using the treadmill, make sure that both incline pins are fully inserted at the same height. Do not use the treadmill with the incline pins removed.** After you have adjusted the incline legs, lower the treadmill (see HOW TO LOWER THE TREADMILL FOR USE on page 11).

## HOW TO FOLD AND MOVE THE TREADMILL

### HOW TO FOLD THE TREADMILL FOR STORAGE

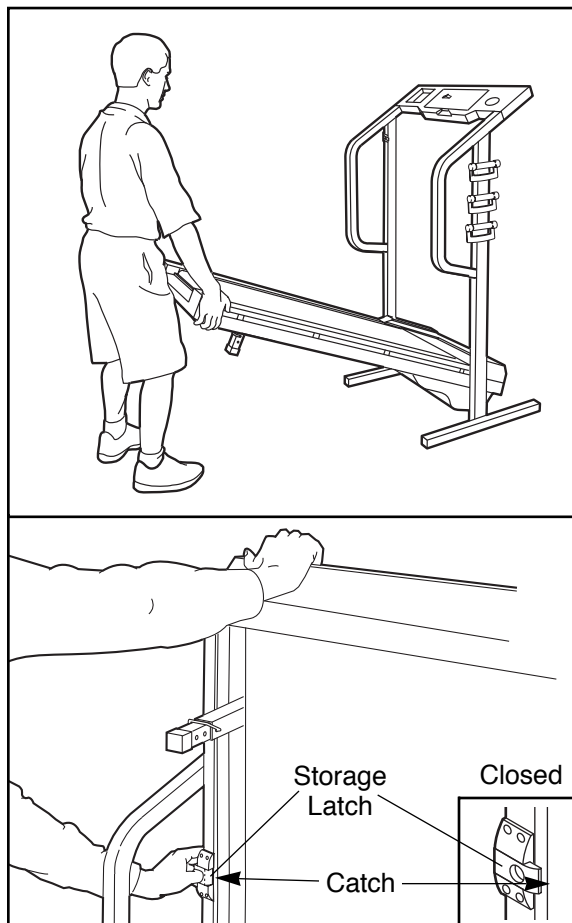
Before folding the treadmill, unplug the power cord.

**Caution: You must be able to safely lift 45 pounds (20 kg) in order to raise, lower or move the treadmill.**

1. Hold the treadmill with your hands in the locations shown at the right. **To decrease the possibility of injury, bend your legs and keep your back straight. As you raise the treadmill, make sure to lift with your legs rather than your back.** Raise the treadmill about halfway to the vertical position.

2. Move your right hand to the position shown at the right, and hold the treadmill firmly. Raise the treadmill until the storage latch locks over the catch. **Make sure that the storage latch closes fully over the catch.**

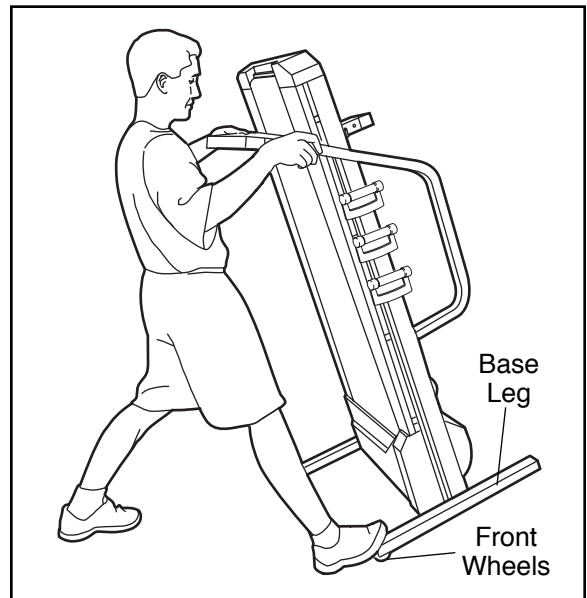
**To protect the floor or carpet from damage, place a mat under the treadmill. Keep the treadmill out of direct sunlight. Do not leave the treadmill in the storage position in temperatures above 85° Fahrenheit.**



## HOW TO MOVE THE TREADMILL

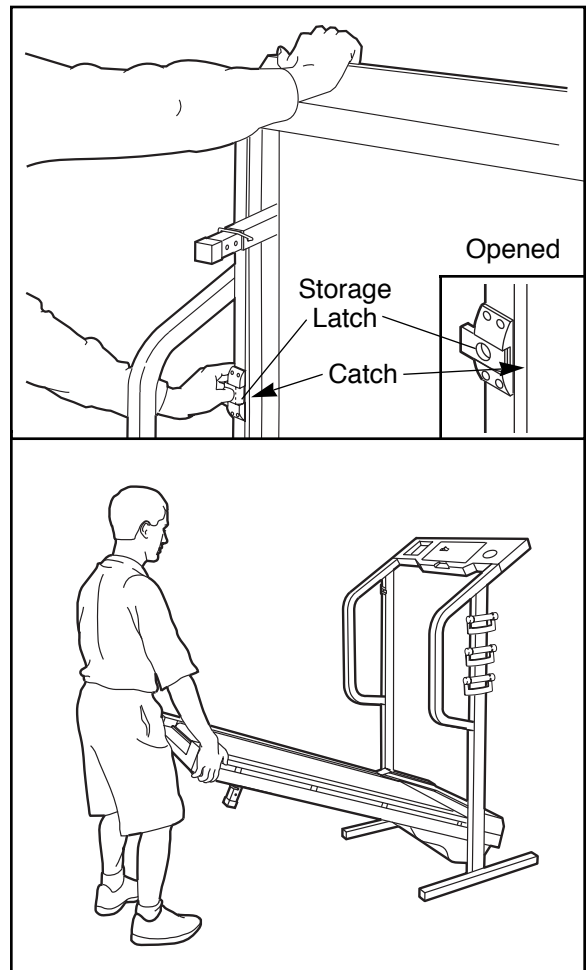
Before moving the treadmill, convert the treadmill to the storage position as described above. **Make sure that the storage latch is locked fully over the catch.**

1. Hold the upper ends of the handrails. Place one foot on one of the front wheels as shown.
2. Tilt the treadmill back until it rolls freely on the front wheels. Carefully move the treadmill to the desired location. **To reduce the risk of injury, use extreme caution while moving the treadmill. Do not attempt to move the treadmill over an uneven surface.**
3. Place one foot on the base, and carefully lower the treadmill until it is resting in the storage position.



## HOW TO LOWER THE TREADMILL FOR USE

1. Hold the upper end of the treadmill with your right hand as shown. Using your left hand, slide open the storage latch. Pivot the treadmill until the catch and the foot rail are past the storage latch.
2. Hold the treadmill firmly with both hands, and lower the treadmill to the floor. **To decrease the possibility of injury, bend your legs and keep your back straight.**



# MAINTENANCE AND TROUBLE-SHOOTING

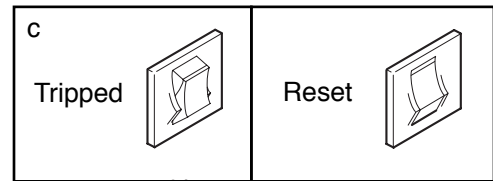
Most treadmill problems can be solved by following the steps below. Find the symptom that applies, and follow the steps listed. If further assistance is needed, please call our Customer Service Department toll-free at 1-800-999-3756, Monday through Friday, 6 a.m. until 6 p.m. Mountain Time (excluding holidays).

**PROBLEM: The power does not turn on**

**SOLUTION:** a. Make sure that the power cord is plugged into a surge protector, and that the surge protector is plugged into a properly grounded outlet. (See HOW TO PLUG IN THE POWER CORD on page 7.) Use only a UL-listed surge protector, rated at 15 amps, with a 14-gauge cord of five feet or less in length.

b. After the power cord has been plugged in, make sure that the key is fully inserted into the console. See step 1 on page 9.

c. Check the circuit breaker located on the treadmill frame near the power cord. If the switch protrudes as shown, the circuit breaker has tripped. To reset the circuit breaker, wait for five minutes and then press the switch back in.



**PROBLEM: The power turns off during use**

**SOLUTION:** a. Check the circuit breaker located on the treadmill frame near the power cord (see the drawing above). If the circuit breaker has tripped, wait for five minutes and then press the switch back in.

b. Make sure that the power cord is plugged in.

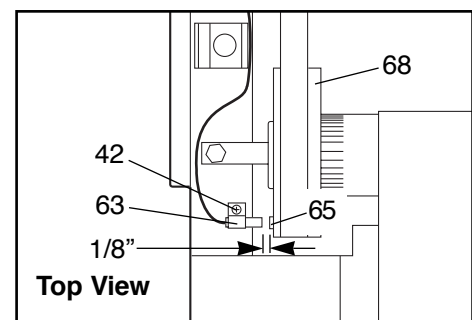
c. Remove the key from the console. Reinsert the key fully into the console. See step 1 on page 9.

d. If the treadmill still will not run, please call our Customer Service Department, toll-free.

**PROBLEM: The displays of the console do not function properly**

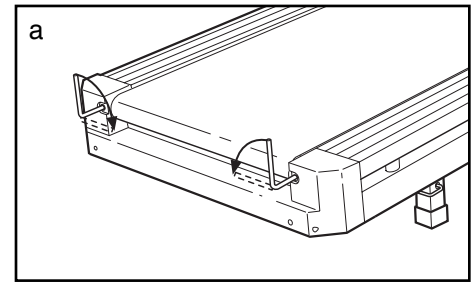
**SOLUTION:** a. Check the batteries in the console. If the batteries need to be replaced, see BATTERY INSTALLATION on page 8. Most problems are the result of drained batteries.

b. Remove the six screws from the hood. Carefully remove the hood. Locate the Reed Switch (63) and the Magnet (65) on the left side of the Pulley (68). Turn the Pulley until the Magnet is aligned with the Reed Switch. **Make sure that the gap between the Magnet and the Reed Switch is about 1/8".** If necessary, loosen the Screw (42) and move the Reed Switch slightly. Retighten the Screw. Re-attach the hood, and run the treadmill for a few minutes to check for a correct speed reading.

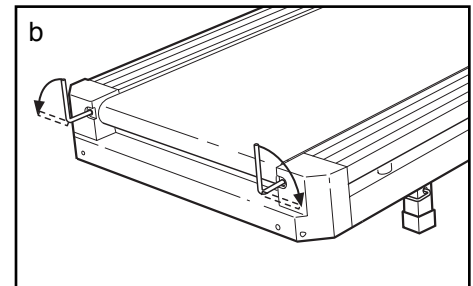


**PROBLEM: The walking belt is off-center or slips when walked on**

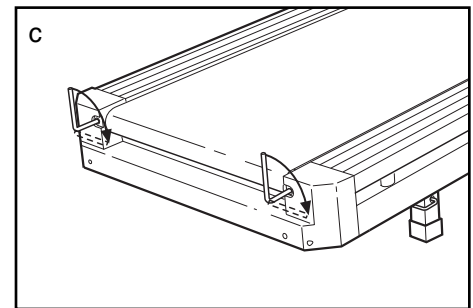
**SOLUTION:** a. **If the walking belt has shifted to the left**, first remove the key and **UNPLUG THE POWER CORD**. Using the allen wrench, turn the left rear roller adjustment bolt clockwise, and the right bolt counterclockwise, 1/4 of a turn each. Be careful not to overtighten the walking belt. Plug in the power cord, insert the key and run the treadmill for a few minutes. Repeat until the walking belt is centered.



b. **If the walking belt has shifted to the right**, first remove the key and **UNPLUG THE POWER CORD**. Using the allen wrench, turn the left rear roller adjustment bolt counterclockwise, and the right bolt clockwise, 1/4 of a turn each. Be careful not to overtighten the walking belt. Plug in the power cord, insert the key and run the treadmill for a few minutes. Repeat until the walking belt is centered.



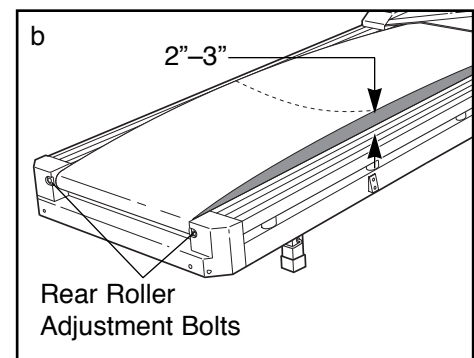
c. **If the walking belt slips when walked on**, first remove the key and **UNPLUG THE POWER CORD**. Using the allen wrench, turn both rear roller adjustment bolts clockwise, 1/4 of a turn. When the walking belt is correctly tightened, you should be able to lift each side of the walking belt 2 to 3 inches off the walking platform. Be careful to keep the walking belt centered. Plug in the power cord, insert the key and run the treadmill for a few minutes. Repeat until the walking belt is properly tightened.



**PROBLEM: The walking belt slows when walked on**

**SOLUTION:** a. Use only a UL-listed surge protector, rated at 15 amps, with a 14-gauge cord of five feet or less in length.

b. If the walking belt is overtightened, treadmill performance may decrease and the walking belt may be permanently damaged. Remove the key and **UNPLUG THE POWER CORD**. Using the allen wrench, turn both rear roller adjustment bolts counterclockwise, 1/4 of a turn. When the walking belt is properly tightened, you should be able to lift each side of the walking belt 2 to 3 inches off the walking platform. Be careful to keep the walking belt centered. Plug in the power cord, insert the key and run the treadmill for a few minutes. Repeat until the walking belt is properly tightened.



c. If the walking belt still slows when walked on, please call our toll-free Customer Service Department.

# CONDITIONING GUIDELINES

**⚠ WARNING:** Before beginning this or any exercise program, consult your physician. This is especially important for individuals over the age of 35 or individuals with pre-existing health problems.

The pulse sensor is not a medical device. Various factors, including your movement, may affect the accuracy of heart rate readings. The sensor is intended only as an exercise aid in determining heart rate trends in general.

The following guidelines will help you to plan your exercise program. Remember—these are general guidelines only. For more detailed exercise information, obtain a reputable book or consult your physician.

## EXERCISE INTENSITY

Whether your goal is to burn fat or to strengthen your cardiovascular system, the key to achieving the desired results is to exercise with the proper intensity. The proper intensity level can be found by using your heart rate as a guide. The chart below shows recommended heart rates for fat burning and aerobic exercise.

AGE	MIN BPM		MAX BPM
	Fat Burn	Max Burn	Aerobic
20	125	145	165
30	120	138	155
40	115	130	145
50	110	125	140
60	105	118	130
70	95	110	125
80	90	103	115

To find the proper heart rate for you, first find your age on the left side of the chart (ages are rounded off to the nearest ten years). Next, find the three numbers to the right of your age. The three numbers are your “training zone.” The lower two numbers are recommended heart rates for fat burning; the higher number is the recommended heart rate for aerobic exercise.

### Fat Burning

To burn fat effectively, you must exercise at a relatively low intensity level for a sustained period of time. During

the first few minutes of exercise, your body uses easily accessible carbohydrate calories for energy. Only after the first few minutes does your body begin to use stored fat calories for energy. If your goal is to burn fat, adjust the speed of the treadmill until your heart rate is near the low end of your training zone. It may also be helpful to set the speed control on the console to FAT BURN to help you maintain the proper intensity level. (See page 8.)

### Aerobic Exercise

If your goal is to strengthen your cardiovascular system, your exercise must be “aerobic.” Aerobic exercise is activity that requires large amounts of oxygen for prolonged periods of time. This increases the demand on the heart to pump blood to the muscles, and on the lungs to oxygenate the blood. For aerobic exercise, adjust the speed of the treadmill until your heart rate is near the middle of your training zone. It may also be helpful to set the speed control on the console to AEROBIC to help you maintain the proper intensity level.

### High Performance Athletic Conditioning

If your goal is high performance athletic conditioning, set the speed control on the console to PERFORMANCE to help you maintain the proper intensity level. Note: During the first few weeks of your exercise program, keep your heart rate near the low end of your training zone.

To measure your heart rate during exercise, use the pulse sensor on the console. If your heart rate is too high or too low, adjust the speed of the treadmill as needed.

## WORKOUT GUIDELINES

Each workout should include the following three parts:

### A Warm-up

Start each workout with 5 to 10 minutes of stretching and light exercise. A proper warm-up increases your body temperature, heart rate, and circulation in preparation for exercise.

### Training Zone Exercise

After warming up, increase the intensity of your exercise until your pulse is in your training zone for 20 to 60 minutes. (During the first few weeks of your exercise program, do not keep your pulse in your training zone for longer than 20 minutes.) Breathe regularly and deeply as you exercise—never hold your breath.

## A Cool-down

Finish each workout with 5 to 10 minutes of stretching to cool down. This will increase the flexibility of your muscles and will help prevent post-exercise problems.

## EXERCISE FREQUENCY

To maintain or improve your condition, complete three workouts each week, with at least one day of rest

between workouts. After a few months, you may complete up to five workouts each week if desired.

The key to success is to make exercise a regular and enjoyable part of your everyday life.

## SUGGESTED STRETCHES

The correct form for several basic stretches is shown in the drawings below. Move slowly as you stretch—never bounce.

### 1. Toe Touch Stretch

Stand with your knees bent slightly and slowly bend forward from your hips. Allow your back and shoulders to relax as you reach down toward your toes as far as possible. Hold for 15 counts, then relax. Repeat 3 times. Stretches: Hamstrings, back of knees and back.

### 2. Hamstring Stretch

Sit with one leg extended. Bring the sole of the opposite foot toward you and rest it against the inner thigh of your extended leg. Reach toward your toes as far as possible. Hold for 15 counts, then relax. Repeat 3 times for both legs. Stretches: Hamstrings, lower back and groin.

### 3. Calf/Achilles Stretch

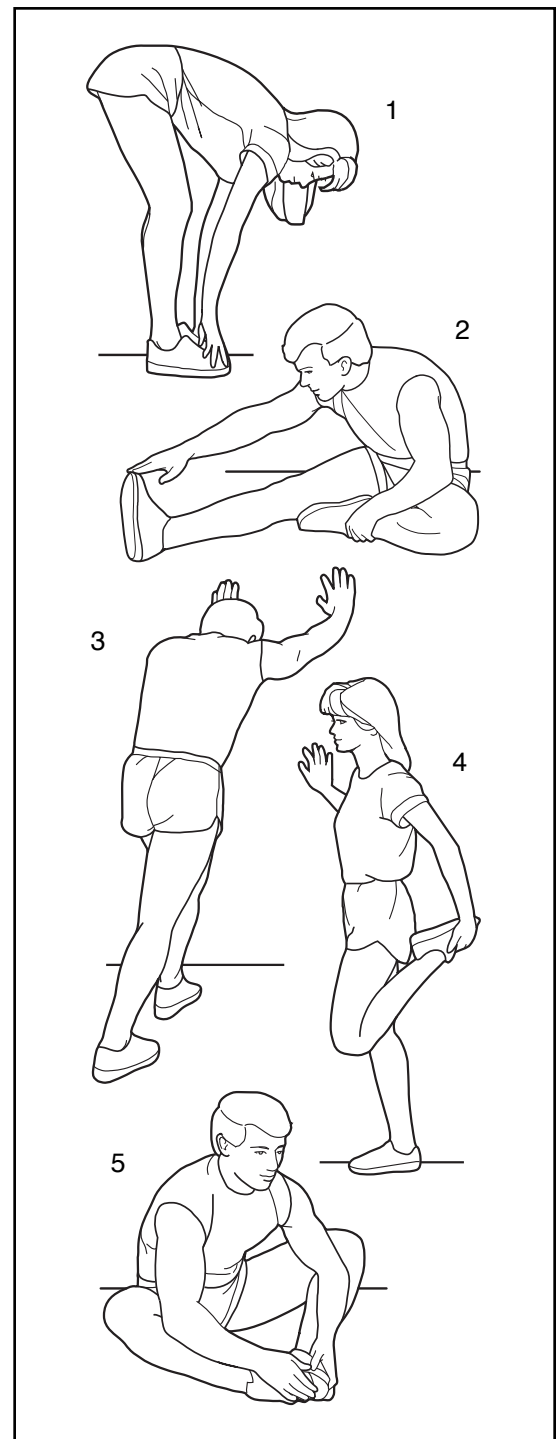
With one leg in front of the other, reach forward and place your hands against a wall. Keep your back leg straight and your back foot flat on the floor. Bend your front leg, lean forward and move your hips toward the wall. Hold for 15 counts, then relax. Repeat 3 times for both legs. To cause further stretching of the achilles tendons, bend your back leg as well. Stretches: Calves, achilles tendons and ankles.

### 4. Quadriceps Stretch

With one hand against a wall for balance, reach back and grasp one foot with your other hand. Bring your heel as close to your buttocks as possible. Hold for 15 counts, then relax. Repeat 3 times for both legs. Stretches: Quadriceps and hip muscles.

### 5. Inner Thigh Stretch

Sit with the soles of your feet together and your knees outward. Pull your feet toward your groin area as far as possible. Hold for 15 counts, then relax. Repeat 3 times. Stretches: Quadriceps and hip muscles.



# PART LIST—Model No. WLTL41582

R1298A

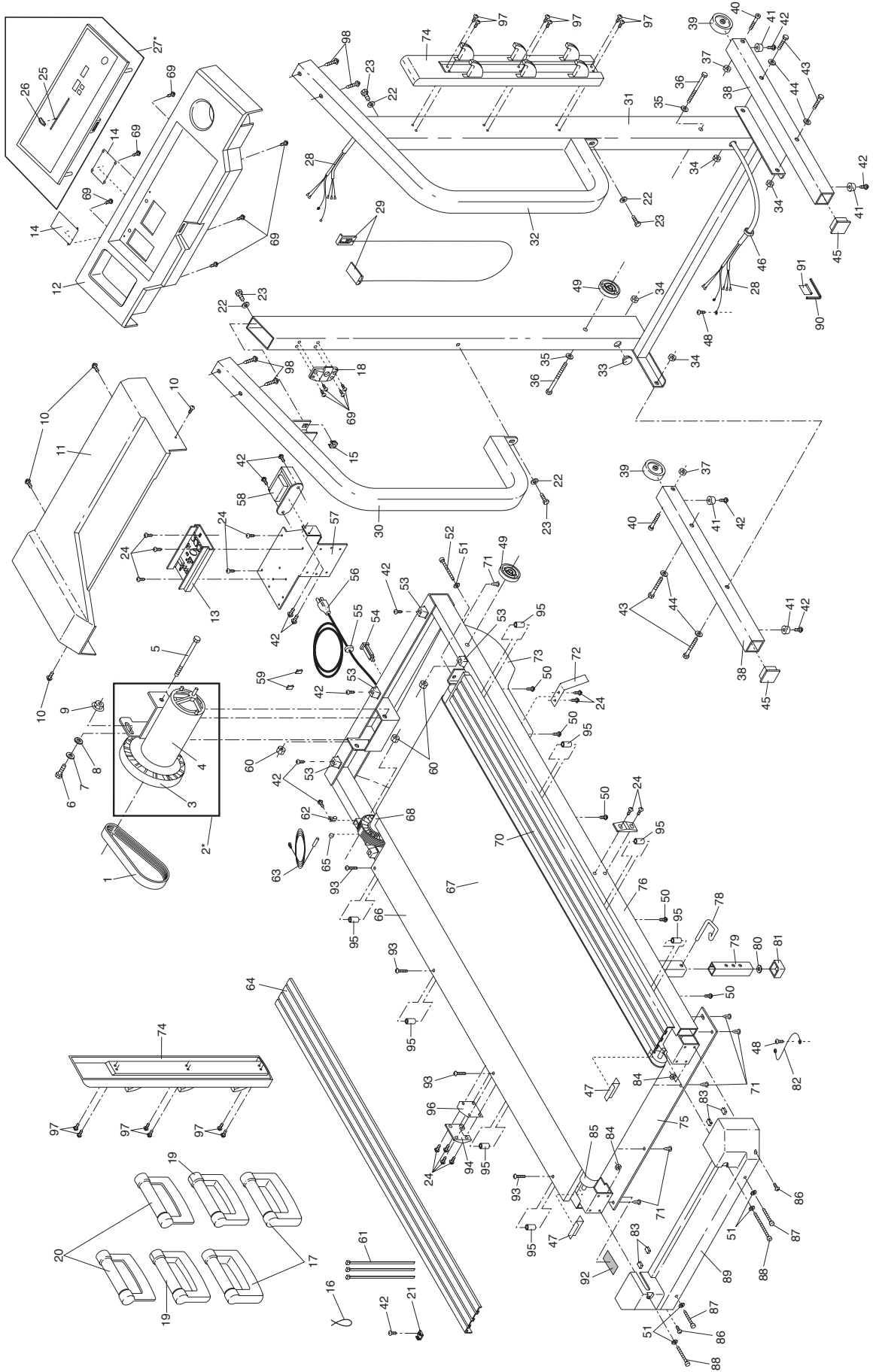
Key No.	Qty.	Description	Key No.	Qty.	Description
1	1	Motor Belt	52	1	Front Roller Adjustment Bolt
2*	1	Motor/Pulley/Flywheel/Fan	53	4	Hood Anchor
3	1	Pulley/Flywheel/Fan	54	1	Circuit Breaker
4	1	Motor	55	1	Grommet
5	1	Motor Pivot Bolt	56	1	Power Cord
6	1	Motor Tension Bolt	57	1	Electronics Bracket
7	1	Motor Tension Washer	58	1	Choke
8	1	Star Washer	59	2	Wire Clip
9	1	Motor Tension Nut	60	3	Motor Pivot Nut/Frame Pivot Nut
10	4	Hood Screw	61	3	8" Cable Tie
11	1	Motor Hood	62	1	Reed Switch Clip
12	1	Console Base	63	1	Reed Switch
13	1	Controller	64	1	Left Foot Rail
14	2	Battery Cover	65	1	Magnet
15	4	Cage Nut	66	1	Walking Platform
16	1	Releasable Cable Tie	67	1	Walking Belt
17	2	4-lb. Weight	68	1	Front Roller/Pulley
18	1	Latch	69	12	Screw
19	2	3-lb. Weight	70	1	Right Foot Rail
20	2	2-lb. Weight	71	20	Belly Pan Fastener
21	1	Cable Tie Clamp	72	2	Belt Guide
22	4	1/4" Washer	73	1	Belly Pan
23	4	1/4" x 1" Bolt	74	2	Weight Rack
24	12	Short Screw	75	1	Rear Belly Pan
25	1	Speed Potentiometer	76	1	Frame
26	1	Speed Control	77	1	Right Frame Guide
27	1	Console Assembly	78	2	Incline Pin
28	1	Wire Harness	79	2	Incline Leg
29	1	Key/Clip	80	2	Incline Leg Washer
30	1	Left Handrail	81	2	Incline Leg Cap
31	1	Upright Base	82	1	Ground Wire
32	1	Right Handrail	83	4	Cover Clip
33	1	Upright Plug	84	2	Rear Endcap Nut
34	4	3/8" Nut	85	1	Rear Roller
35	4	Frame Pivot Washer	86	2	Rear Endcap Screw
36	2	Frame Pivot Bolt	87	2	Short Adjustment Bolt
37	2	Wheel Nut	88	2	Long Adjustment Bolt
38	2	Base Leg	89	1	Rear Endcap
39	2	Front Wheel	90	1	Allen Wrench
40	2	Wheel Bolt	91	1	Adhesive Clip
41	4	Base Leg Pad	92	1	Latch Decal
42	10	Anchor Screw/Base Leg Screw	93	8	Platform Screw
43	4	3/8" x 2" Bolt	94	1	Storage Catch
44	4	3/8" Washer	95	8	Isolator
45	2	Base Leg Endcap	96	1	Catch Spacer
46	1	Wire Harness Grommet	97	12	Weight Rack Screw
47	2	Roller Guard	98	4	1 1/4" Screw
48	2	Ground Screw	#	1	14" White Wire, Male/Female
49	2	Upright Spacer	#	1	8" Black Wire, Male/Female
50	10	Belly Pan Screw	#	1	User's Manual
51	5	Roller Adjustment Washer			

Note: "#" indicates a non-illustrated part. Specifications are subject to change without notice. See the back cover of the user's manual for information about ordering replacement parts.



# EXPLODED DRAWING — Model No. WLTL41582

R1298A



---

# ORDERING REPLACEMENT PARTS

To order replacement parts, simply call our Customer Service Department toll-free at 1-800-999-3756, Monday through Friday, 6 a.m. until 6 p.m. Mountain Time (excluding holidays). To help us assist you, please be prepared to give the following information when calling:

- The MODEL NUMBER of the product (WLT41582).
- The NAME of the product (WESLO CADENCE® DL15 treadmill).
- The SERIAL NUMBER of the product (see the front cover of this manual).
- The KEY NUMBER and DESCRIPTION of the desired part(s) (see the PART LIST and the EXPLODED DRAWING in the center of this manual).

WESLO is a registered trademark of ICON Health & Fitness, Inc.

## LIMITED WARRANTY

ICON Health & Fitness, Inc. (ICON), warrants this product to be free from defects in workmanship and material, under normal use and service conditions, for a period of ninety (90) days from the date of purchase. This warranty extends only to the original purchaser. ICON's obligation under this warranty is limited to replacing or repairing, at ICON's option, the product through one of its authorized service centers. All repairs for which warranty claims are made must be pre-authorized by ICON. This warranty does not extend to any product or damage to a product caused by or attributable to freight damage, abuse, misuse, improper or abnormal usage or repairs not provided by an ICON authorized service center, products used for commercial or rental purposes, or products used as store display models. No other warranty beyond that specifically set forth above is authorized by ICON.

ICON is not responsible or liable for indirect, special or consequential damages arising out of or in connection with the use or performance of the product or damages with respect to any economic loss, loss of property, loss of revenues or profits, loss of enjoyment or use, costs of removal, installation or other consequential damages of whatsoever nature. Some states do not allow the exclusion or limitation of incidental or consequential damages. Accordingly, the above limitation may not apply to you.

The warranty extended hereunder is in lieu of any and all other warranties and any implied warranties of merchantability or fitness for a particular purpose is limited in its scope and duration to the terms set forth herein. Some states do not allow limitations on how long an implied warranty lasts. Accordingly, the above limitation may not apply to you.

This warranty gives you specific legal rights. You may also have other rights which vary from state to state.

**ICON HEALTH & FITNESS, INC., 1500 S. 1000 W., LOGAN, UT 84321-9813**

## Free Manuals Download Website

<http://myh66.com>

<http://usermanuals.us>

<http://www.somanuals.com>

<http://www.4manuals.cc>

<http://www.manual-lib.com>

<http://www.404manual.com>

<http://www.luxmanual.com>

<http://aubethermostatmanual.com>

Golf course search by state

<http://golfingnear.com>

Email search by domain

<http://emailbydomain.com>

Auto manuals search

<http://auto.somanuals.com>

TV manuals search

<http://tv.somanuals.com>