



ICED TEA MAKER

Instruction Manual



Register this and other Focus Electrics products through our website:
www.focuselectrics.com

Important Safeguards.....	2
Operating Precautions.....	3
Using Your Iced Tea Maker.....	3
Cleaning Your Iced Tea Maker.....	6
Decalcifying Your Iced Tea Maker	7
Warranty.....	8

SAVE THIS INSTRUCTION MANUAL FOR FUTURE REFERENCE

© 2008 Back To Basics®, a Brand of Focus Electrics, LLC.
www.focuselectrics.com

IMPORTANT SAFEGUARDS



CAUTION

To prevent personal injury or property damage, read and follow all instructions and warnings.

When using electrical appliances, basic safety precautions should always be followed including the following:

- Read all instructions, including these important safeguards and the care and use instructions in this manual.
- Do not touch hot surfaces. Use handles or knobs.
- To protect against fire, electric shock and injury to persons, do not immerse cord, plugs, or other electric parts in water or other liquids.
- Close supervision is necessary when this appliance is used by or near children.
- Always unplug the appliance from outlet when not in use and before cleaning. Allow to cool before putting on or taking off parts and before cleaning.
- Do not operate this appliance with a damaged cord or plug, after the appliance malfunctions or if the appliance is dropped or damaged in any manner. If you experience any problems with your machine, unplug it immediately from the electrical outlet. For service information see warranty page.
- The use of accessory attachments not recommended by Focus Electrics may result in fire, electric shock, or injury to persons.
- Do not use this appliance outdoors.
- Do not let cord hang over the edge of a table or counter, or touch hot surfaces.
- Do not place on or near a hot gas or electric burner, or a heated oven.
- To disconnect, remove the plug from the wall outlet.
- Scalding may occur if the lid is removed during the brewing cycle.
- Do not use appliance for other than intended use.
- A short power-supply cord is provided to reduce risks resulting from becoming entangled in or tripping over a longer cord.
- Longer, detachable power-supply cords or extension cords are available and may be used if care is exercised in their use. While use of an extension cord is not recommended, if you must use one, the marked electrical rating of the detachable power-supply cord or extension cord should be at least as great as the electrical rating of the appliance. If the appliance is of the grounded type, the extension cord should be a grounding-type 3-wire cord. The cord should be arranged so that it will not hang over the counter top or tabletop where it can be pulled by children or tripped over.
- This appliance has a polarized plug (one blade is wider than the other). To reduce the risk of electric shock, this plug is intended to fit into a polarized outlet only one way. If the plug does not fit fully into the outlet, reverse the plug. If it still does not fit, contact a qualified electrician. Do not attempt to modify the plug in any way.
- **For household use only.**



CAUTION

To prevent personal injury or property damage, read and follow all instructions and warnings.

OPERATING PRECAUTIONS

- Do not move an appliance containing hot water, tea or other hot liquids.
- Do not refill the water reservoir while the appliance is on. Turn the appliance off and allow to cool before refilling with water.
- Do not place the glass pitcher on a hot surface or in a heated oven.
- Do not put a hot pitcher on a wet or cold surface.
- Do not clean the glass pitcher with cleansers, steel wool pads, or other abrasive materials.
- Do not attempt to repair this appliance yourself.

SAVE THESE INSTRUCTIONS

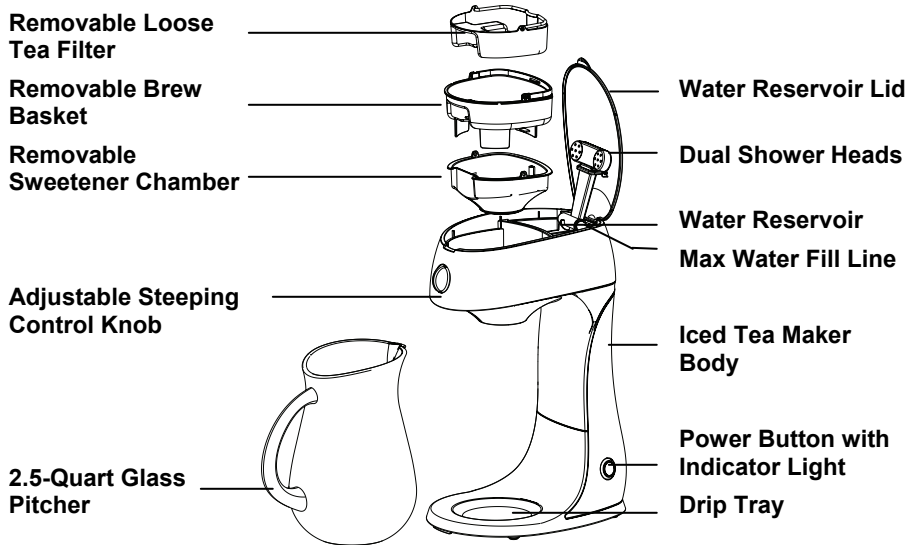
USING YOUR ICED TEA MAKER

This Iced Tea Maker is designed to brew 2 quarts of great tasting Iced Tea, sweetened or unsweetened. The Iced Tea Maker brews 1 quart of extra strength tea, increasing in volume to 2 quarts when added to the ice or cold water in the pitcher during the brewing cycle. The glass pitcher holds 2.5 quarts, allowing additional ice or water to be added after the brewing process is completed, if desired.

Before using for the first time: Remove the filter, brew basket, and sweetener chamber. Rinse the filter in warm water only. Washing the filter with soap is optional as any residue may affect the taste of your tea. Wash the brew basket, sweetener chamber, and pitcher in warm, soapy water. Rinse thoroughly.

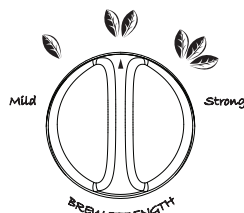
Note: To remove any manufacturing residuals in the appliance, we recommend running at least one full pitcher of water only through the appliance. Follow the directions in the “**TO MAKE TEA**” section of this manual but do not use any tea leaves or bags.

- A small amount of smoke and/or odor may occur upon heating due to the release of manufacturing oils – this is normal.
- Some minor expansion/contraction sounds may occur during heating and cooling – this is normal.



TO MAKE TEA:

1. Place appliance on a dry, level, heat-resistant surface, away from any edge.
2. Fill the pitcher with fresh, cold water to the water level marking. Lift the reservoir lid and pour the water into the water reservoir. **Note:** Do not fill above the “MAX” fill marking. If too much water is poured into the water reservoir, it will come out of the overflow opening on the back of the Iced Tea Maker body.
3. Remove the filter and brew basket from the Iced Tea Maker.
4. For sweet tea, wet the inside of the sweetener chamber with water. Add up to 1 cup of sugar to the sweetener chamber. **Note:** Leave the sweetener chamber in the Iced Tea Maker, even if you do not make sweet tea.
5. Place the brew basket on top of the sweetener chamber. If using bagged tea, place the tea bags in the brew basket according to the “**TEA MEASUREMENT**” guide in this manual. The filter can be placed on top of the tea bags in the brew basket. If using loose tea, place the filter on top of the brew basket. Add loose tea according to the “**TEA MEASUREMENT**” guide.
6. Close the water reservoir lid.
7. Adjust the steeping control knob to your desired brew strength, mild on the left and strong on the right.
8. Fill the pitcher with ice cubes to the “ICE” level marking. **Note:** If you want to use cold water in place of ice, fill the pitcher with water to the “WATER” level marking not the “ICE” level marking as the pitcher will overflow once the hot tea is brewed into the pitcher. Or, you can add 1 quart of cold water to the hot tea when the brew cycle is complete.



9. Place the pitcher on the drip tray with the pour spout facing the back of the Iced Tea Maker body. The handle should be facing the front of the machine, centered under the adjustable steeping control knob.
10. Plug cord into a 120 volt AC electric outlet **only**. Press the power button. The button will light up indicating the power is "ON".
11. When the brewing cycle is complete, the Iced Tea Maker will automatically shut off. This takes approximately 10 minutes. Wait a few minutes for all the water to flow into the pitcher until the water stops dripping. **Note:** When using sugar, it may take longer for all the tea to dispense.
12. Remove the pitcher and serve. **Note:** If making sweet tea, gently stir the iced tea in the pitcher to thoroughly mix the contents prior to serving.
13. After the appliance has cooled, open the water reservoir lid and remove the filter, brew basket, and sweetener chamber. Discard the used leaves or bags and rinse thoroughly in warm water.
14. To clean, follow the cleaning instructions in this manual.

Note: If the appliance has been turned on accidentally, or turned on without water, the "ON" switch will automatically reset itself when the preset, internal temperature has been reached.

TEA MEASUREMENTS : Adjust the tea based on taste and strength. Green and Herbal teas may require additional amounts to achieve desired strength and flavor. All amounts are based on making 2 quarts of iced tea.

- Regular size tea bags (2g): 6 to 9
- Family size tea bags (6-7g): 2 to 3
- Loose tea: 1 to 3 tablespoons, depending on type
- Green tea bags (regular size): 6 to 9
- Herbal tea bags (regular size): 6 to 9

GARNISHES: Use any of the following to the pitcher to add color and flavor to your favorite iced tea.

- Fruit slices including lemon, lime, orange, kiwi, apricot, peach, or pineapple. Float slices in the tea or slip a slice over the glass edge for decoration.
- Whole or sliced berries including strawberries, raspberries, and blackberries.
- Use small bamboo skewers to thread grapes, cherries, and berries for a pretty and flavorful garnish.
- Coat the glass rim by wetting it with water or fruit juice and dip it in sugar to form a light crusty edge. Fill with ice and iced tea and add a fruit slice or mint sprig for decoration.
- Use flavorful herbs from the garden for decoration and flavor such as mint and lemon verbena.

TEA FLAVORINGS: Experiment by adding different flavors to create unique and tasty iced tea beverages.

- Combine Iced Tea with fruit juices such as orange, white grape, peach, mango, pineapple, or blended juices. Use a 1 to 1 ratio of iced tea to juice.
- Use non-alcoholic mixers to add flavor and zest to iced tea. Good choices include Strawberry Daiquiri, Peach Daiquiri, Pina Colada, and Margarita.
- Ginger Ale and Lemon-Lime sodas add fizz and subtle flavoring when combined with iced tea and fruit juice. Use equal parts tea, soda, and juice.
- Fruit syrup is a quick and easy way to flavor regular iced tea. Peach and raspberry are two great choices.

TEA CHOICES:

- Green tea's light, clean taste makes it a perfect choice to combine with other flavors. Lower in caffeine than black tea, green tea also has health benefits including antioxidants.
- Black tea has a stronger flavor and combines best with other more flavorful fruits. Use berries and citrus fruits for great beverage combinations.

CLEANING YOUR ICED TEA MAKER

Note: It is important to keep your Iced Tea Maker clean to maintain performance quality and to minimize tea stains.

1. Unplug from the electrical outlet. **Allow the entire appliance to cool before cleaning.**
 2. Remove the filter, brew basket, and sweetener chamber.
 3. Rinse the filter in warm water only. **Note:** Washing the filter with soap is optional as any residue may affect the taste of your tea.
 4. Clean the brew basket, sweetener chamber, and pitcher in warm, soapy water. Rinse thoroughly. **Note:** Do not wash any of these parts in an automatic dishwasher.
 5. The exterior of the Iced Tea Maker can be wiped clean with a damp cloth after it has been unplugged and the base is cool. **Note:** Never use abrasive cleansers or materials as they can scratch, causing surface damage that can lead to breakage.
 6. On a regular basis, remove hard water mineral deposits in the pitcher and brew basket. Fill each component with warm, undiluted white household vinegar and soak for 20 minutes. Rinse thoroughly.
- Do not clean the inside of the water reservoir with a cloth or paper towel. This may leave particles in the chamber that may clog small openings in your appliance. Rinse with cold water periodically.
 - Decalcify the Iced Tea Maker periodically. See the "Decalcifying Your Iced Tea Maker" section in this manual.

DECALCIFYING YOUR ICED TEA MAKER

- This appliance must be decalcified periodically. Over time, mineral deposits build up on internal parts and affect the operation of the appliance. The frequency of decalcification depends on the hardness of your water and how often you use the appliance. Indications that decalcifying is necessary are:
 - Increased noise during brewing
 - Excessive steaming
 - Longer brewing times
 - The pumping action stops before all of the water has been pumped from the water reservoir
 - If usage is regular, decalcifying should be carried out as follows:
 - With soft water, decalcify once per year
 - With medium water, decalcify every 3 months
 - With hard water, decalcify monthly
 - We recommend the use of vinegar for decalcifying.
1. Open the water reservoir lid. Pour 1 quart of fresh, cool, undiluted white household vinegar into the water reservoir.
 2. Put the pitcher in place on the drip tray. Set the steeping control to strong.
 3. Remove the filter and set aside. Keep the brew basket and sweetener chamber in position in the appliance.
 4. Close the water reservoir lid.
 5. Plug in the Iced Tea Maker and press the power button until the "ON" indicator light is illuminated. After about 1 cup of vinegar has pumped into the pitcher, unplug the Iced Tea Maker. Let stand for 30 minutes.
 6. Plug in the Iced Tea Maker again; it will resume pumping out the remaining vinegar.
 7. When the Iced Tea Maker shuts off, unplug it.
 8. Remove the pitcher and empty out the vinegar.
 9. Repeat the process using clear, cool water in place of vinegar to rinse any remaining traces of the vinegar from the system. Rinse twice using clean, cool water each time.

PRODUCT WARRANTY

Appliance 1 Year Limited Warranty

Focus Electrics, LLC ("Focus Electrics") warrants this appliance from failures in the material and workmanship for one (1) year from the date of original purchase with proof of purchase, provided the appliance is operated and maintained in conformity with the provided Instruction Manual. Any failed part of the appliance will be repaired or replaced without charge at Focus Electrics' discretion. This warranty applies to indoor household use only.

This warranty does not cover any damage, including discoloration, to any non-stick surface of the appliance. This warranty is null and void, as determined solely by Focus Electrics if the appliance is damaged through accident, misuse, abuse, negligence, scratching, or if the appliance is altered in any way.

THIS WARRANTY IS IN LIEU OF ALL IMPLIED WARRANTIES, INCLUDING WARRANTIES OF MERCHANTABILITY, FITNESS FOR A PARTICULAR PURPOSE, PERFORMANCE, OR OTHERWISE, WHICH ARE HEREBY EXCLUDED. IN NO EVENT SHALL FOCUS ELECTRICS BE LIABLE FOR ANY DAMAGES, WHETHER DIRECT, INDIRECT, INCIDENTAL, FORSEEABLE, CONSEQUENTIAL, OR SPECIAL, ARISING OUT OF OR IN CONNECTION WITH THIS APPLIANCE.

If you think the appliance has failed or requires service within its warranty period, please contact the Focus Electrics Customer Service Department at (866) 290-1851 or e-mail us at service@focuselectrics.com. Return shipping fees are non-refundable. A receipt proving original purchase date will be required for all warranty claims. Hand-written receipts are not accepted. Focus Electrics is not responsible for returns lost in transit.

Valid only in USA and Canada

REPLACEMENT PARTS

Replacement parts, if available, may be ordered directly from Focus Electrics online at www.focuselectrics.com, or you may call or e-mail the service department at the number/e-mail address listed above, or by writing to us at:

Focus Electrics, LLC
Attn: Customer Service
P. O. Box 2780
West Bend, WI 53095

Be sure to include the catalog/model number of your appliance (located on the bottom/back of the unit) and a description and quantity of the part you wish to order. Along with this include your name, mailing address, Visa/MasterCard number, expiration date and the name as it appears on the card. Checks can be made payable to Focus Electrics, LLC. Call Customer Service to obtain purchase amount. Your state's sales tax and a shipping/processing fee will be added to your total charge. Please allow two (2) weeks for delivery.

This manual contains important and helpful information regarding the safe use and care of your new Focus Electrics product. For future reference, attach dated sales receipt for warranty proof of purchase and record the following information:

Date purchased or received as gift: _____

Where purchased and price, if known: _____

Item number and Date Code (shown bottom/back of product): _____



APPAREIL À FAIRE LE THÉ GLACÉ

Manuel d'instructions



Enregistrez ce produit et d'autres produits Focus Electrics sur notre site Web:
www.focuselectrics.com

Mises en garde importantes	2
Précautions d'utilisation.....	3
Utilisation De Votre Appareil À Faire Le Thé Glacé	3
Nettoyage De Votre Appareil À Faire Le Thé Glacé.....	6
Détartrage De Votre Appareil À Faire Le Thé Glacé	7
Garantie	8

CONSERVEZ CE MANUEL D'INSTRUCTIONS POUR RÉFÉRENCE FUTURE

MISES EN GARDE IMPORTANTES



MISE EN GARDE

Pour écarter tout risque de blessure et de dégâts matériels, lisez et suivez toutes ces instructions et tous ces avertissements.

Lorsque vous utilisez des appareils électriques, prenez toujours les précautions de base, notamment :

- Lisez toutes les instructions, y compris ces mises en garde importantes et le mode d'emploi et d'entretien décrit dans ce manuel.
- Ne touchez pas les surfaces chaudes. Utilisez des poignées rectangulaires ou rondes.
- Pour vous protéger contre les incendies, les chocs électriques et les blessures, n'immergez pas le cordon, les fiches ni toute autre pièce électrique dans l'eau ou dans d'autres liquides.
- Une surveillance étroite est nécessaire lorsque vous cet appareil est utilisé par ou à proximité d'enfants.
- Débranchez toujours l'appareil du secteur lorsque vous ne l'utilisez pas et avant de le nettoyer. Laissez l'appareil refroidir avant la mise en place ou le retrait de pièces et avant tout nettoyage.
- N'utilisez pas cet appareil avec un cordon abîmé ou une fiche détériorée, si l'appareil a connu un dysfonctionnement ou si l'appareil est tombé ou a été détérioré de quelque manière que ce soit. Si vous rencontrez un problème quel qu'il soit avec votre appareil, débranchez-le immédiatement de la prise secteur. Pour des informations sur les réparations, voir la page de garantie.
- L'utilisation d'accessoires non recommandés par Focus Electrics risque de causer un incendie, une électrocution ou des blessures.
- N'utilisez pas cet appareil à l'extérieur.
- Ne pas laisser le cordon d'alimentation pendre au bout d'un comptoir ou d'une table.
- Ne le placez pas sur ou près d'un brûleur à gaz ou électrique chaud ou dans un four chauffé.
- Vous risquez de vous brûler si vous retirez le couvercle pendant le cycle de percolation.
- N'utilisez pas l'appareil pour une autre utilisation que l'utilisation indiquée.
- Le cordon d'alimentation fourni est court pour réduire les risques qu'une personne se prenne les pieds ou trébuche sur un cordon plus long.
- Des cordons d'alimentations plus longs détachables ou des cordons de rallonge sont disponibles et peuvent être utilisés à condition de faire preuve de prudence lors de leur utilisation. Bien que l'utilisation d'un cordon de rallonge ne soit pas recommandée, si vous devez en utiliser un, la puissance nominale indiquée pour le cordon d'alimentation détachable ou pour le cordon de rallonge devrait être au moins aussi importante que la puissance nominale de l'appareil. Si l'appareil est de type raccordé à la terre, le cordon de rallonge devrait être relié à la terre et composé de trois fils. Le cordon devrait être disposé de manière à ne pas pendre depuis le plan de travail d'où il risque d'être tiré par des enfants ou d'où quelqu'un pourrait s'y prendre les pieds.
- Cet appareil est pourvu d'une fiche polarisée (une lame est plus large que l'autre). Pour réduire le risque d'électrocution, cette fiche est conçue pour s'encaster dans une prise secteur polarisée dans un sens uniquement. Si la fiche ne s'insère pas complètement dans la prise secteur, retournez la fiche. Si elle ne s'encastre toujours pas, contactez un électricien qualifié. Ne tentez pas de modifier la fiche de quelque manière que ce soit.
- **Pour usage domestique uniquement.**



MISE EN GARDE

Pour écarter tout risque de blessure et de dégâts matériels, lisez et suivez toutes ces instructions et tous ces avertissements.

PRÉCAUTIONS D'UTILISATION

- Ne déplacez pas un appareil contenant de l'eau chaude, du thé ou tout autre liquide à haute température.
- Ne remplissez pas le réservoir d'eau avec l'appareil en marche. Éteignez l'appareil et laissez-le refroidir avant de le remplir d'eau.
- Ne placez pas le pichet en verre sur une surface chaude ou dans un four chaud.
- Ne placez pas le pichet chaude sur une surface mouillée ou froide.
- Ne nettoyez pas le pichet en verre avec des nettoyeurs, des pailles de fer ou d'autres matériaux abrasifs.
- N'essayez pas de réparer cet appareil vous-même.

CONSERVEZ CES INSTRUCTIONS

UTILISATION DE VOTRE APPAREIL À FAIRE LE THÉ GLACÉ

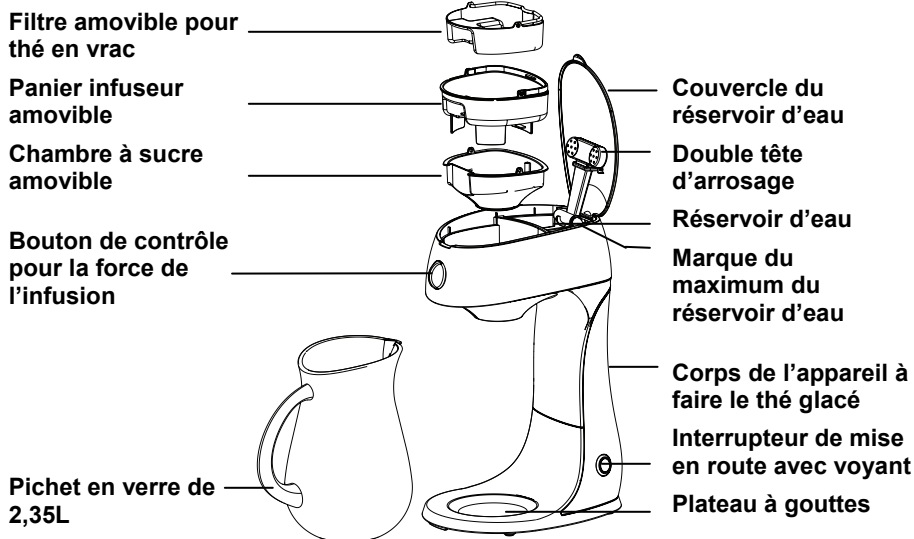
Cet appareil à faire le thé glacé est conçu pour préparer 1,90 L de thé glacé savoureux, sucré ou non. Cet appareil à faire le thé glacé prépare 95 cl de thé extra fort ce qui produit 1,90 L lorsqu'on ajoute les glaçons ou l'eau froide au pichet pendant l'infusion. Le pichet en verre peut contenir 2,35 L et vous permet donc de rajouter des glaçons ou de l'eau froide après l'infusion, si vous le souhaitez.

Avant la première infusion : Retirez le filtre, le panier infuseur et la chambre à sucre. Rincez le filtre à l'eau tiède seulement. L'utilisation d'un savon pour le nettoyage du filtre est facultative car tout résidu pourrait avoir un effet sur le goût du thé. Lavez le panier infuseur, la chambre à sucre et le pichet à l'eau chaude savonneuse. Rincez complètement.

Remarque : Afin de retirer tout résidu provenant de la fabrication de l'appareil, nous vous conseillons de faire passer au moins un pichet d'eau à travers l'appareil. Suivez les instructions fournies à la section « **POUR FAIRE DU THÉ** » de ce manuel mais sans utiliser de thé.

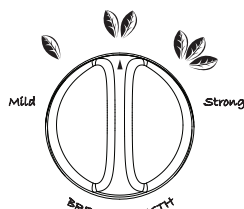
De la fumée et/ou une certaine odeur pourront se dégager lors de la chauffe initiale en raison des huiles de fabrication – ceci est normal.

Vous pourrez entendre des bruits d'expansion/contraction durant la chauffe et le refroidissement initiaux – ceci est normal.



POUR FAIRE LE THÉ :

1. Placez l'appareil sur une surface sèche, plane et résistante à la chaleur, loin du bord.
2. Remplissez le pichet avec de l'eau fraîche et froide jusqu'à la marque de l'eau. Soulevez le couvercle du réservoir et versez l'eau dans le réservoir d'eau.
Remarque : Ne remplissez pas au-dessus de la marque « MAX ». Si vous versez trop d'eau dans le réservoir, le surplus débordera par l'orifice de trop-plein situé au dos de l'appareil à faire le thé.
3. Retirez le filtre et le panier infuseur de l'appareil à faire le thé glacé.
4. Pour un thé sucré, mouillez avec de l'eau l'intérieur de la chambre à sucre. Ajoutez jusqu'à 25 cl (1 tasse) de sucre dans la chambre à sucre. **Remarque :** Laissez la chambre à sucre dans l'appareil à faire le thé glacé même si vous ne faites pas du thé sucré.
5. Mettez le panier infuseur au-dessus de la chambre à sucre. Si vous utilisez du thé en sachet, mettez les sachets dans le panier infuseur selon les indications fournies dans ce manuel pour la « **MESURE DU THÉ** ». Le filtre peut se mettre sur les sachets dans le panier infuseur. Avec du thé en vrac, mettez le filtre sur le dessus du panier infuseur. Ajoutez le thé en vrac selon le guide pour la « **MESURE DU THÉ** ».
6. Refermez le couvercle du réservoir.
7. Réglez le bouton de contrôle de l'infusion à la force souhaitée, léger à gauche et fort à droite.
8. Remplissez le pichet de glaçons jusqu'à la marque « ICE ». **Remarque :** Si vous préférez utiliser de l'eau froide au lieu des glaçons, remplissez le pichet jusqu'à la marque d'eau « WATER » et non pas jusqu'à la marque des glaçons « ICE » car cela ferai déborder le pichet une fois que le thé chaud est ajouté. Ou bien, vous pouvez ajouter 95 cl d'eau froide au thé chaud après la fin du cycle d'infusion.



9. Placez le pichet sur le plateau à gouttes avec le bec verseur vers le dos du corps de l'appareil à faire le thé glacé. La poignée doit être vers l'avant de la machine, centrée sous le bouton de réglage de l'infusion.
10. Branchez le cordon dans une prise secteur de 120 volts c.a. **uniquement**. Appuyez sur le bouton de mise en route. Le bouton s'allume pour indiquer que l'appareil est en « MARCHÉ ».
11. Lorsque le cycle d'infusion est terminé, l'appareil à faire le thé glacé s'arrête automatiquement. Il faut compter environ dix minutes. Attendez quelques minutes pour que toute l'eau passe dans le pichet et pour qu'il ne tombe plus aucune goutte d'eau. **Remarque** : Avec du sucre, il faut un peu plus de temps pour faire passer tout le thé.
12. Retirez le pichet et versez. **Remarque** : Si le thé est sucré, remuez doucement le thé glacé dans le pichet pour bien mélanger le contenu avant de servir.
13. Une fois que l'appareil est refroidi, ouvrez le couvercle du réservoir d'eau et retirez le filtre, le panier infuseur et la chambre à sucre. Jetez les feuilles de thé ou les sachets utilisés et rincez soigneusement à l'eau tiède
14. Pour le nettoyage, suivez les instructions contenues dans ce manuel.

Remarque : Si l'appareil est mis en route par erreur, ou allumé sans eau, l'interrupteur de mise en route se remet automatiquement en position d'attente une fois que la température interne pré-réglée est atteinte.

MESURE DU THÉ : Ajustez le thé selon le goût et la force. Il peut être nécessaire de mettre une plus grande quantité pour les thés verts et les tisanes afin d'obtenir la force et l'arôme souhaité. Toutes les quantités sont prévues pour faire 1,90 L de thé glacé.

- Sachets de thé normaux (2 g) : 6 à 9
- Sachets de thé au format familial (6 à 7 g) : 2 à 3
- Thé en vrac : 1 à 3 cuillères à soupe, selon le type
- Sachets de thé vert (taille normale) : 6 à 9
- Sachets de tisane (taille normale) : 6 à 9

GARNITURE : Ajoutez l'un des ingrédients suivants au pichet pour ajouter de la couleur et de l'arôme à votre thé glacé favori.

- Tranches de fruit, notamment citron, lime, orange, kiwi, abricot, pêche ou ananas. Laissez flotter les tranches de fruit dans le thé ou coincer une tranche sur le bord du verre pour le décorer.
- Baies entières ou en tranches, notamment fraises, framboises et mûres.
- Une petite brochette de bambou pour enfiler des raisins, des cerises ou des baies vous permettra de créer des garnitures belles et savoureuses.
- Enrobez le bord du verre en le mouillant avec de l'eau ou du jus de fruit avant de l'enfoncer dans du sucre pour former un bord givré. Remplissez le verre de glaçons et de thé glacé et décorez-le avec une tranche de fruit ou une feuille de menthe.
- Pour décorer et ajouter de l'arôme, utilisez des herbes du jardin telles que de la menthe ou de la verveine.

AROMATISANTS POUR LE THÉ : Essayez d'ajouter différents arômes pour créer des thés glacés exceptionnels et savoureux.

- Combinez le thé glacé avec des jus de fruits: orange, raisin blanc, pêche, mangue, ananas ou jus mélangés. Pour une dose de thé glacé, ajoutez une dose de jus.
- Utilisez des préparations pour cocktail sans alcool pour ajouter de l'arôme et relever le goût du thé glacé. Parmi les bons choix, citons : daiquiri (fraise ou pêche), pina colada et margarita.
- Les sodas au gingembre ou au citron et à la lime ajoutent du gaz et un arôme subtil au thé glacé et au jus de fruit. Utilisez des parts égales de thé, de soda et de jus.
- Le sirop de fruit permet d'aromatiser facilement et rapidement un thé glacé ordinaire. La pêche et la framboise sont deux arômes de choix.

CHOIX DU THÉ :

- Le goût léger et frais du thé vert en fait un choix parfait pour une combinaison avec d'autres arômes. Avec moins de caféine que le thé noir, le thé vert apporte aussi des éléments bons pour la santé y compris des antioxydants.
- Le goût du thé noir est plus fort et se combine mieux avec des fruits dont l'arôme est plus prononcé. Utilisez des baies et des agrumes pour d'excellentes combinaisons.

NETTOYAGE DE VOTRE APPAREIL À FAIRE LE THÉ GLACÉ

Remarque : Il est important de maintenir la propreté de l'appareil à faire le thé glacé afin d'assurer la bonne performance de l'appareil et pour réduire au minimum les taches de thé.

1. Débranchez l'appareil de la prise électrique. **Laissez complètement refroidir l'appareil avant de le nettoyer.**
 2. Retirez le filtre, le panier infuseur et la chambre à sucre.
 3. Rincez le filtre à l'eau tiède seulement. **Remarque** : L'utilisation d'un savon pour le nettoyage du filtre est facultative car tout résidu pourrait avoir un effet sur le goût du thé.
 4. Nettoyez le panier infuseur, la chambre à sucre et le pichet à l'eau chaude savonneuse. Rincez complètement. **Remarque** : Ne lavez aucune pièce de cet appareil au lave-vaisselle automatique.
 5. L'extérieur de l'appareil à faire le thé glacé peut se nettoyer en l'essuyant avec un chiffon humide une fois qu'il est débranché et que le socle est froid. **Remarque** : N'utilisez jamais de nettoyeurs ou de matériaux abrasifs car ils peuvent rayer et endommager les surfaces et éventuellement provoquer des cassures.
 6. Retirez régulièrement les dépôts calcaires dans le pichet et le panier infuseur. Remplissez chaque pièce de vinaigre ménager tiède et laissez tremper pendant 20 minutes. Rincez complètement.
- Ne nettoyez pas l'intérieur du réservoir avec un chiffon ou du papier. Cela pourrait laisser des particules qui pourraient boucher les petites ouvertures de votre appareil. Rincez régulièrement à l'eau froide.
 - Détartez régulièrement votre appareil à faire le thé glacé. Consultez la section sur le « détartrage de votre appareil à faire le thé glacé » dans ce manuel.

DÉTARTRAGE DE VOTRE APPAREIL À FAIRE LE THÉ GLACÉ

- La appareil doit être régulièrement détartrée. Avec le temps, des dépôts calcaires s'accumulent sur les composants internes et compromettent le fonctionnement de l'appareil. La fréquence de détartrage dépend de la dureté de l'eau et de la fréquence d'utilisation de la appareil. Signes d'une décalcification nécessaire :
 - Appareil plus bruyant en cours de fonctionnement
 - Vapeur excessive
 - Cycles de filtrage plus longs
 - Arrêt du pompage avant que toute l'eau n'ait été pompée du réservoir
 - Si vous utilisez régulièrement la appareil, le détartrage doit se faire à la fréquence suivante :
 - Avec de l'eau douce, détartrerez une fois par an
 - Avec de l'eau de dureté moyenne, détartrerez tous les 3 mois
 - Avec de l'eau dure, détartrerez une fois par mois
 - Nous recommandons l'utilisation de vinaigre pour le détartrage.
1. Ouvrez le couvercle du réservoir d'eau. Versez 0,95 L de vinaigre blanc ménager, à température ambiante et non dilué, dans le réservoir d'eau.
 2. Mettez le pichet en place sur le plateau à gouttes. Mettez le bouton de réglage sur fort.
 3. Retirez le filtre et mettez-le de côté. Laissez le panier infuseur et la chambre à sucre dans l'appareil.
 4. Refermez le couvercle du réservoir.
 5. Branchez l'appareil à faire le thé glacé et appuyez sur l'interrupteur de mise en route jusqu'à ce que le voyant lumineux s'allume. Attendez qu'environ 25 cl de vinaigre soit passé dans le pichet, puis débranchez l'appareil à thé glacé. Laissez reposer pendant 30 minutes.
 6. Rebranchez l'appareil à thé glacé: il recommencera à faire passer le reste du vinaigre.
 7. Quand l'appareil à faire le thé glacé s'éteint, débranchez-le.
 8. Retirez le pichet et videz le vinaigre.
 9. Recommencez ce processus mais avec de l'eau fraîche au lieu du vinaigre pour rincer les restes du vinaigre. Rincez deux fois avec de l'eau fraîche et propre.

GARANTIE DU PRODUIT

Garantie limitée d'1 an de l'appareil

Focus Electrics, LLC garantit cet appareil contre tout défaut de pièce et de main d'œuvre pendant un (1) an à compter de la date d'achat d'origine avec un justificatif d'achat à condition que l'appareil soit utilisé et entretenu conformément avec le Mode d'emploi de Focus Electrics. Toute pièce défectueuse de l'appareil sera réparée ou remplacée sans frais à la discrétion de Focus Electrics. Cette garantie s'applique en cas d'utilisation domestique en intérieur uniquement.

La présente garantie ne couvre aucun dommage, notamment la décoloration, de toute surface antiadhésive de l'appareil. Cette garantie est nulle et non avenue, tel que déterminé uniquement par Focus Electrics si l'appareil est détérioré à la suite d'un accident, d'une mauvaise utilisation, d'une utilisation abusive, d'une négligence, d'une rayure ou si l'appareil est modifié de toute manière.

LA PRÉSENTE GARANTIE ANNULE ET REMPLACE TOUTE GARANTIE INDIUITE, NOTAMMENT LES GARANTIES DE COMMERCIALISATION, D'ADAPTATION À UN USAGE PARTICULIER, DE PERFORMANCE, OU AUTRE QUI SONT ICI EXCLUES. EN AUCUN CAS FOCUS ELECTRICS. NE POURRA ÊTRE TENUE POUR RESPONSABLE DE TOUT DOMMAGE, QUE CELUI-CI SOIT DIRECT, INDIRECT, INDUIT, PRÉVISIBLE, SECONDAIRE OU PARTICULIER, RÉSULTANT DE L'UTILISATION DE OU EN RELATION AVEC CET APPAREIL.

Si vous pensez que cet appareil est défectueux ou nécessite des réparations pendant la durée de sa garantie, veuillez contacter le Service clientèle de Focus Electrics au (866) 290-1851 ou nous envoyer un e-mail à service@focuslectrics.com. Les frais de transport de retour ne sont pas remboursables. Une facture justifiant la date d'achat d'origine sera nécessaire pour toute demande dans le cadre de la garantie. Les factures manuscrites ne sont pas acceptées. Focus Electrics n'est pas responsable pour les retours perdus pendant le transport.

Valide uniquement aux USA et au Canada

PIECES DE RECHANGE

Les pièces de rechange, lorsque celles-ci sont disponibles, peuvent être commandées directement auprès de Focus Electrics en ligne sur www.focuslectrics.com. Ou vous pouvez téléphoner ou adresser un e-mail au service des réparations au numéro/à l'adresse e-mail ci-dessus, ou en nous écrivant à :

Focus Electrics, LLC
Attn: Customer Service
P. O. Box 2780
West Bend, WI 53095

Assurez-vous d'indiquer le numéro de catalogue/modèle de votre appareil (situé au bas/dos de l'appareil) et une description ainsi qu'une quantité pour la pièce que vous souhaitez commander. Joignez à ces informations votre nom, votre adresse postale, votre numéro de carte Visa/MasterCard, la date d'expiration et le nom du titulaire tel qu'il apparaît sur la carte. Les chèques peuvent être libellés à l'ordre de Focus Electrics, LLC. Appelez le Service clientèle pour obtenir le montant de l'achat. La taxe commerciale de votre état et des frais de transport/traitement seront ajoutés à votre facturation totale. Veuillez autoriser deux (2) semaines pour la livraison.

Ce manuel contient des informations importantes et utiles concernant l'utilisation et l'entretien sans danger de votre nouveau produit Focus Electrics. Pour une consultation ultérieure, fixez le ticket de caisse daté pour avoir un justificatif d'achat pour la garantie et indiquez les informations ci-dessous:

Date d'achat ou de réception en cadeau : _____

Lieu d'achat et prix, si connu : _____

Numéro de l'article et Code de date (indiqué au bas/dos du produit) : _____



TETERA PARA PREPARAR TÉ HELADO

Manual de instrucciones



Registre éste y otros productos de Focus Electrics en nuestro sitio:
www.focuselectrics.com en Internet

Precauciones importantes	2
Precauciones de funcionamiento	3
Uso de la Tetera para Preparar Té Helado	3
Limpieza de la Tetera para Preparar Té Helado	6
Descalcificación de la Tetera para Preparar Té Helado	7
Garantía	8

CONSERVE ESTE MANUAL DE INSTRUCCIONES COMO REFERENCIA PARA EL FUTURO

PRECAUCIONES IMPORTANTES



PRECAUCIÓN

Para evitar lesiones personales o daños materiales, lea y acate todas las instrucciones y advertencias.

Al utilizar aparatos eléctricos, siempre deben acatarse las precauciones básicas de seguridad incluyendo las siguientes:

- Lea todas las instrucciones, incluyendo estas precauciones importantes, así como las instrucciones de uso y cuidado en este manual.
- No toque las superficies calientes. Use las agarraderas o las perillas.
- Como protección contra fuegos, descargas eléctricas y lesiones a las personas, nunca sumerja el cordón eléctrico, los enchufes o cualquier parte eléctrica en agua u otros líquidos.
- Se requiere de supervisión adulta cuando cualquier artefacto electrodoméstico sea usado por o cerca de niños.
- Siempre desenchufe el artefacto del tomacorriente cuando no esté en uso y antes de limpiarlo. Deje que se enfríe antes de poner o quitar alguna parte, y antes de limpiar.
- No haga funcionar este artefacto electrodoméstico con el cordón eléctrico o el enchufe dañado, después que el artefacto llegase a funcionar mal, o si el artefacto se ha dejado caer o se ha dañado de alguna manera. Si usted experimenta algún problema con su máquina, desenchúfela inmediatamente del tomacorriente. Para información relativa al servicio de reparaciones vea la página de garantías.
- El uso de accesorios no recomendados por Focus Electrics puede causar incendios, descargas eléctricas o lesiones personales.
- No use este aparato a la intemperie.
- No deje el cable colgando del borde de la mesa o de la mesada.
- No coloque el aparato sobre ni cerca de un quemador a gas o eléctrico, ni tampoco en un horno calentado.
- Para desconectar, retire el enchufe del tomacorriente de la pared.
- Puede sufrir quemaduras si la tapa es retirada durante el ciclo de preparación.
- No utilice el aparato para usos distintos del indicado.
- Se suministra un cordón eléctrico corto para reducir los riesgos que resultan de enredarse o tropezarse con un cordón eléctrico más largo.
- Hay disponibles cordones de alimentación eléctrica desmontables más largos o extensiones eléctricas y pueden ser utilizados si se ejerce cuidado al usarlos. Mientras el uso de una extensión eléctrica no es recomendado, si usted debe usar una, la capacidad eléctrica nominal marcada en el cordón desmontable de alimentación eléctrica o la extensión eléctrica deberá ser al menos la misma que la capacidad eléctrica nominal del artefacto electrodoméstico. Si el artefacto electrodoméstico es del tipo conectado a tierra, la extensión eléctrica deberá ser un cordón eléctrico de 3 hilos con conexión a tierra. El cordón eléctrico debería ser extendido de tal manera que no pase sobre encimeras o mesas donde pueda ser tirado por niños o tropezarse con el mismo.
- Este artefacto tiene un enchufe polarizado (una clavija es más ancha que la otra). Para reducir el riesgo de descarga eléctrica, este enchufe está diseñado para encajar de una sola manera en un tomacorriente polarizado. Invierta el enchufe si éste no encaja completamente en el tomacorriente o en el cable de extensión. Si todavía no encaja, póngase en contacto con un electricista calificado. No trate de modificar el enchufe de manera alguna.
- **Para uso doméstico solamente.**



PRECAUCIÓN

Para evitar lesiones personales o daños materiales, lea y acate todas las instrucciones y advertencias.

PRECAUCIONES DE FUNCIONAMIENTO

- No mueva un artefacto electrodoméstico que contenga agua caliente, té u otros líquidos calientes.
- No llene el depósito de agua mientras el aparato esté encendido. Apague la máquina y deje que se enfríe antes de llenarla con agua.
- No coloque la jarra de cristal sobre una superficie caliente o en un horno caliente.
- No coloque la jarra caliente sobre una superficie húmeda o fría.
- No limpie la jarra de cristal con productos de limpieza, almohadillas de virutas de acero u otros materiales abrasivos.
- No trate de reparar este artefacto electrodoméstico usted mismo.

CONSERVE ESTAS INSTRUCCIONES

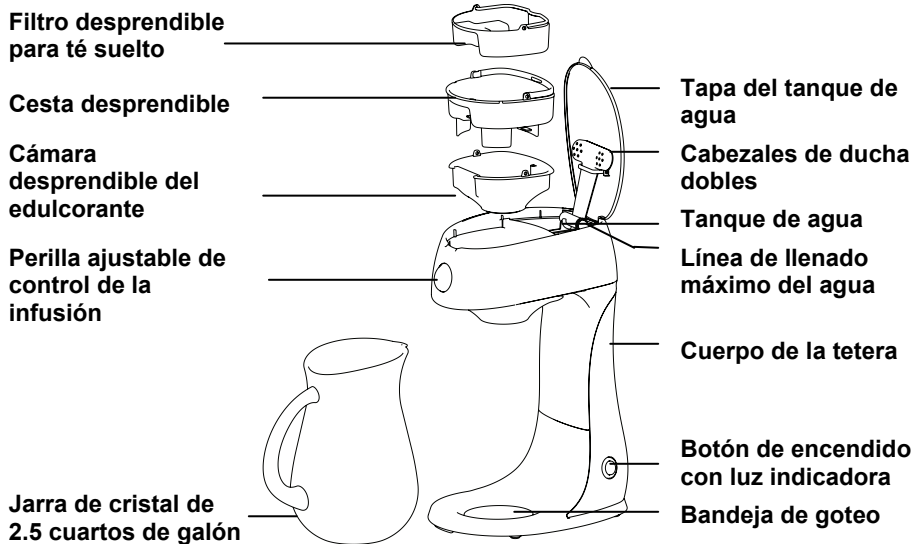
USO DE LA TETERA PARA PREPARAR TÉ HELADO

Esta Tetera para Preparar Té Helado está diseñada para preparar 2 cuartos de galón (1.89 lts.) de té con hielo de un fabuloso sabor, endulzado o no. La Tetera para Preparar Té Helado prepara 1 cuarto de galón (0,94 lts.) de té extra fuerte, que se incrementa a 2 cuartos de galón (1,98 lts.) al agregarle hielo o agua fría a la jarra durante el ciclo de preparación. A la jarra de cristal le caben 2.5 cuartos de galón (2.36 lts.), lo cual permite, si se desea, agregarle hielo adicional o agua una vez completado el proceso de preparación.

Antes de usarla por primera vez: Retire el filtro, la cesta y la cámara del edulcorante. Enjuague el filtro con sólo agua tibia. El lavado del filtro con jabón es opcional ya que cualquier residuo puede afectar el gusto del té. Lave la cesta, la cámara del edulcorante y la jarra en agua tibia jabonosa. Enjuáguelos a fondo.

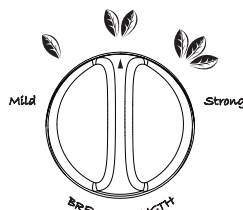
Nota: Para eliminar cualquier residuo de la fabricación en el artefacto electrodoméstico, recomendamos pasar al menos una jarra llena del agua sola por el mismo. Siga las instrucciones en la sección "**PREPARACIÓN DEL TÉ**" de este manual, pero no use hojas de té o bolsas.

- Durante el primer uso, puede notarse algo de humo o un olor extraño debido a los aceites empleados en el proceso de fabricación – esto es normal.
- Asimismo, pueden notarse algunos sonidos de expansión o contracción durante el calentamiento o enfriamiento – lo cual también es normal.



PREPARACIÓN DEL TÉ:

1. Coloque el artefacto electrodoméstico sobre una superficie seca, nivelada y resistente al calor, y lejos de cualquier borde.
2. Llene la jarra con agua fría hasta la marca del nivel de agua. Levante la tapa del tanque y vierta el agua en dicho tanque de agua. **Nota:** No llene por encima de la marca de llenado "MAX". Si se ha vertido demasiada agua en el tanque de agua, la misma saldrá a través de la abertura de desbordamiento en la parte posterior del cuerpo de la Tetera para Preparar Té Helado.
3. Retire el filtro y la cesta de la Tetera para Preparar Té Helado.
4. Para preparar té dulce, moje con agua el interior de la cámara del edulcorante. Añada hasta 1 taza de azúcar a la cámara del edulcorante. **Nota:** Deje la cámara del edulcorante dentro de la Tetera para Preparar Té Helado, incluso si no está preparando té dulce.
5. Coloque la cesta encima de la cámara del edulcorante. Si está usando té empaquetado, coloque las bolsas de té en la cesta según la guía de "**MEDIDAS DE TÉ**" en este manual. El filtro puede ser colocado encima de las bolsas de té en la cesta. Si está usando té suelto, coloque el filtro encima de la cesta. Añada el té suelto según la guía de "**MEDIDAS DE TÉ**".
6. Cierre la tapa del tanque de agua.
7. Ajuste la perilla de control de la infusión según cuán fuerte desea el té: débil ("Mild") a la izquierda y fuerte ("Strong") a la derecha.
8. Llene la jarra con cubitos de hielo hasta la marca "ICE" de nivel de hielo. **Nota:** Si desea usar agua fría en lugar de hielo, llene la jarra con agua hasta la marca "WATER" (nivel de agua) y no a la marca "ICE" (nivel de hielo), ya que la jarra se desbordará una vez que el té caliente empiece a llenar la jarra. O puede añadir 1 cuarto de galón (0,94 lts.) de agua fría al té caliente cuando se haya completado el ciclo de preparación.



9. Coloque la jarra sobre la bandeja de goteo con el pico viendo hacia la parte posterior del cuerpo de la Tetera para Preparar Té Helado. El asa debe estar de cara hacia la parte delantera de la máquina, centrada debajo del control ajustable de la infusión.
10. Enchufe el cordón eléctrico **solamente** a un tomacorriente de corriente alterna de 120 voltios. Pulse el botón de encendido. El botón se iluminará indicando que el artefacto está encendido.
11. Cuando se haya completado el ciclo de preparación, la Tetera para Preparar Té Helado se apagará automáticamente. Esto toma aproximadamente 10 minutos. Espere unos cuantos minutos para que toda el agua fluya a la jarra o hasta que el agua deje de gotear. **Nota:** Al usar azúcar, podrá tardar un poco más para que todo el té fluya.
12. Retire la jarra y sirva. **Nota:** Si está preparando té dulce, antes de servir remueva con cuidado el té helado en la jarra para mezclar a fondo el contenido.
13. Una vez que el artefacto electrodoméstico se haya enfriado, abra la tapa del tanque de agua y retire el filtro, la cesta y la cámara del edulcorante. Deseche las hojas o bolsas usadas y enjuague a fondo en agua tibia.
14. Para limpiar, siga las instrucciones de limpieza en este manual.

Nota: Si el artefacto electrodoméstico ha sido encendido accidentalmente o sin agua, el interruptor de encendido "ON" se restablecerá automáticamente al alcanzarse la temperatura predeterminada interna.

MEDIDAS DE TÉ: Ajuste el té en base al gusto y cuán fuerte lo desea. Los té verdes y de hierbas pueden requerir cantidades adicionales para obtener la concentración y sabor deseados. Todas las cantidades están basadas en la preparación de 2 cuartos de galón (1.89 lts.) de té helado.

- Bolsas de té de tamaño regular (2g): 6 a 9
- Bolsas de té de tamaño familiar (6-7g): 6 a 3
- Té suelto: 1 a 3 cucharadas, según el tipo de té
- Bolsas de té verde (tamaño regular): 6 a 9
- Bolsas de té de hierba (tamaño regular): 6 a 9

GUARNICIONES: Agregue cualquiera de los siguientes a la jarra para añadirle color y sabor a su té con hielo favorito.

- Rebanadas de fruta incluso limón, lima, naranja, kiwi, albaricoque, melocotón o piña. Deje flotar rebanadas en el té o coloque una rebanada sobre el borde del cristal como decoración.
- Bayas enteras o rebanadas incluso fresas, frambuesas y zarzamoras.
- Use pequeños pinchos de bambú para enhebrar uvas, cerezas y bayas y crear una sabrosa y bonita guarnición.
- Cubra el borde del cristal mojándolo con agua o zumo de fruta y metiéndolo en azúcar para formar un borde crujiente ligero. Llénese de hielo y té helado y añada una rebanada de fruta o una ramita de menta como decoración.
- Use hierbas gustosas del jardín como decoración y para darle sabor como la menta y la verbena de limón.

SABORIZANTES PARA TÉ: Experimente añadiendo sabores diferentes para crear singulares y sabrosas bebidas de té con hielo.

- Combine el Té con Hielo con jugos de fruta como los de naranja, uva blanca, melocotón, mango, piña o jugos mezclados. Use 1 a 1 proporción de té con hielo al jugo.
- Use bebidas preparadas no alcohólicas para agregar sabor y entusiasmo al té con hielo. Buenas opciones incluyen el Daiquiri de Fresa, el Daiquiri de Melocotón, la Piña Colada y la Margarita.
- Las gaseosas de jengibre y de lima-limón añaden burbujeo y un sutil sabor al combinarlas con el té con hielo y zumo de fruta. Use partes iguales de té, gaseosa y jugo.
- El jarabe de fruta es una manera rápida y fácil de darle sabor al té con hielo simple. El melocotón y la frambuesa son dos fabulosas opciones.

OPCIONES DE TÉ:

- El sabor ligero y limpio del té verde es una opción perfecta para combinarse con otros sabores. Con un menor contenido de cafeína que el té negro, el té verde también tiene ventajas de salud, entre ellas la presencia de antioxidantes.
- El té negro tiene un sabor más fuerte y se combina mejor con otras frutas de sabores más fuertes. Utilice bayas y cítricos para fabulosas combinaciones de bebidas.

LIMPIEZA DE LA TETERA PARA PREPARAR TÉ HELADO

Nota: Es importante conservar limpia la Tetera para Preparar Té Helado de manera de mantener la calidad del desempeño y minimizar las manchas de té.

1. Desenchufe del tomacorriente. **Permita que el artefacto electrodoméstico entero se enfríe antes de limpiarlo.**
 2. Retire el filtro, la cesta y la cámara del edulcorante.
 3. Enjuague el filtro con sólo agua tibia. **Nota:** El lavado del filtro con jabón es opcional ya que cualquier residuo puede afectar el gusto del té.
 4. Lave la cesta, la cámara del edulcorante y la jarra en agua tibia jabonosa. Enjuáguelos a fondo. **Nota:** No lave ninguna de estas partes en un lavavajillas automático.
 5. El exterior de la Tetera para Preparar Té Helado puede limpiarse con un paño húmedo una vez que haya sido desenchufada y que la base esté fría. **Nota:** Nunca use limpiadores o materiales abrasivos ya que pueden rayar el artefacto, causando así daños superficiales que puede conducir a desperfectos.
 6. De manera regular, elimine los depósitos minerales de agua dura en la jarra y en la cesta de infusión. Llene cada componente con vinagre de casa blanco tibio sin diluir y deje empapar durante 20 minutos. Enjuáguelos a fondo.
- No limpie el interior del tanque de agua con un paño o toalla de papel. Esto pudiera dejar partículas en la cámara que pueden obstruir pequeñas aberturas en su artefacto electrodoméstico. Enjuague con agua fría periódicamente.
 - Descalcifique la Tetera para Preparar Té Helado periódicamente. Vea la sección “Descalcificación de la Tetera para Preparar Té Helado” en este manual.

DESCALCIFICACIÓN DE LA TETERA PARA PREPARAR TÉ HELADO

- La aparato debe descalcificarse periódicamente. Con el tiempo, se acumulan depósitos minerales en las piezas internas de la aparato, los cuales afectan el funcionamiento del aparato. La frecuencia de la descalcificación depende de la dureza del agua y de la frecuencia de uso de la aparato. Indicios de que es necesario realizar la descalcificación:
 - Aumento del ruido durante la preparación del café
 - Vapor excesivo
 - Tiempos de preparación más prolongados
 - La acción de bombeo se detiene antes de que haya salido toda el agua del depósito
 - Si se usa la cafetera en forma regular, la descalcificación debe llevarse a cabo de la siguiente manera:
 - En condiciones de agua blanda, descalcifique una vez al año
 - En condiciones de agua de dureza mediana, descalcifique cada tres meses
 - En condiciones de agua dura, descalcifique mensualmente
 - Se recomienda usar vinagre para descalcificar.
1. Abra la tapa del tanque de agua. Vierta 1 cuarto de galón (0,94 lts.) de vinagre de casa blanco recién abierto, frío y sir diluir en el tanque de agua.
 2. Coloque la jarra en su lugar sobre la bandeja de goteo. Ajuste el control de la infusión a fuerte ("Strong").
 3. Retire el filtro y póngalo aparte. Mantenga la cesta y la cámara del edulcorante en su posición en el artefacto electrodoméstico.
 4. Cierre la tapa del tanque de agua.
 5. Enchufe la Tetera para Preparar Té Helado y presione el botón de encendido hasta que la luz indicadora de encendido "ON" se ilumine. Una vez que aproximadamente 1 taza de vinagre haya sido bombeada a la jarra, desenchufe la Tetera para Preparar Té Helado. Déjela reposar durante 30 minutos.
 6. Enchufe la Tetera para Preparar Té Helado otra vez; esto reanudará el bombeo del vinagre restante.
 7. Cuando la Tetera para Preparar Té Helado se apague, desenchúfela.
 8. Retire la jarra y vacíe el vinagre.
 9. Repita el proceso usando agua fría y limpia en lugar del vinagre para enjuagar cualquier rastro restante de vinagre del sistema. Enjuague dos veces usando agua fría y limpia cada vez.

GARANTÍA DEL PRODUCTO

Garantía limitada de 1 año del artefacto electrodoméstico

Focus Electrics, LLC ("Focus Electrics") garantiza que este aparato no presentará fallas de material ni fabricación durante un (1) año a partir de la fecha original de compra con prueba de dicha compra, siempre y cuando el aparato sea operado y mantenido tal como se indica en el manual de instrucciones provisto. Toda pieza del aparato que presente fallas será reparada o reemplazada sin costo alguno a criterio de Focus Electrics. Esta garantía rige solamente para el uso domestico dentro de la casa.

Esta garantía no cubre ningún daño, incluyendo la decoloración, de superficie antiadherente alguna del aparato electrodoméstico. Esta garantía es nula y sin valor, según lo determine exclusivamente Focus Electrics si el artefacto electrodoméstico es dañado a causa de accidente, mal uso, abuso, negligencia, rayaduras, o si el artefacto electrodoméstico es cambiado de algún modo.

ESTA GARANTÍA REEMPLAZA A TODAS LAS DEMÁS GARANTÍAS IMPLÍCITAS, INCLUYENDO AQUÉLLAS DE COMERCIABILIDAD, IDONEIDAD PARA UN FIN O USO EN PARTICULAR, DESEMPEÑO, U OTROS TIPOS, LAS CUALES QUEDAN EXCLUIDAS MEDIANTE EL PRESENTE DOCUMENTO. FOCUS ELECTRICS RECHAZA TODA RESPONSABILIDAD POR DAÑOS, YA SEAN DIRECTOS, INDIRECTOS, INCIDENTALES, PREVISIBLES, CONSECUENTES O ESPECIALES QUE SURJAN DE ESTE APARATO ELECTRODOMÉSTICO O GUARDEN RELACIÓN CON EL MISMO.

Si piensa que el artefacto electrodoméstico se ha dañado o requiere de servicio dentro de su período de garantía, por favor póngase en contacto con el Departamento de Atención al Cliente de Focus Electrics por el (866) 290-1851 o contáctenos por correo electrónico a la service@focuselectrics.com. Los gastos de devolución no son reembolsables. Para todas las reclamaciones de garantía, se requerirá un recibo que demuestre la fecha de compra original. Los recibos escritos a mano no son aceptados. Focus Electrics no se hace responsable de las devoluciones perdidas en tránsito.

Válido sólo en EE.UU. y Canadá

REPUESTOS

Las partes de repuestos, si están disponibles, pueden pedirse directamente en línea a Focus Electrics en www.focuselectrics.com, o puede llamar o enviar un correo electrónico al departamento de servicio al número telefónico o dirección de correo electrónico arriba indicados, o escribiéndonos a:

Focus Electrics, LLC
Attn: Customer Service
P. O. Box 2780
West Bend, WI 53095

Cerciórese de incluir el número de catálogo/modelo del aparato electrodoméstico (situado en la parte inferior/posterior de la unidad) así como la descripción y la cantidad de repuestos que necesita. Junto con esta información, incluya su nombre, dirección postal, número de tarjeta de crédito Visa o MasterCard, la fecha de vencimiento y el nombre tal como aparece en la tarjeta. Los cheques pueden ser pagaderos a Focus Electrics, LLC. Llame al Departamento de Atención al Cliente para obtener el monto de la compra. Se sumará al total el impuesto de venta estatal que corresponda, más un cargo por despacho y procesamiento. La entrega tarda dos (2) semanas.

Este manual contiene información importante y útil sobre el uso seguro y el cuidado de su nuevo producto Focus Electrics. Para su propia referencia, archive aquí el recibo fechado que sirve de comprobante de compra para la garantía, y anote la siguiente información:

Fecha en que compró o recibió la unidad como regalo: _____

Dónde se efectuó la compra y el precio, si lo sabe: _____

Número y código de fecha del producto (aparece en la parte inferior/posterior de la unidad): _____

Free Manuals Download Website

<http://myh66.com>

<http://usermanuals.us>

<http://www.somanuals.com>

<http://www.4manuals.cc>

<http://www.manual-lib.com>

<http://www.404manual.com>

<http://www.luxmanual.com>

<http://aubethermostatmanual.com>

Golf course search by state

<http://golfingnear.com>

Email search by domain

<http://emailbydomain.com>

Auto manuals search

<http://auto.somanuals.com>

TV manuals search

<http://tv.somanuals.com>