

Model name	SVP-10	SVP-12	SVP-12M	SVP-15	SVP-215	SVP-15B	SVP-18B
FREQ RESP +/- 3 DB	65-20kHz	50-20kHz	50 - 20kHz	45-20kHz	40-20kHz	45-250Hz	40-250Hz
COVERAGE (H X V)	90 X 60	90 X 60	90 X 60	90 X 60	90 X 60		
POWER HANDLING (Watts)							
Continuous	100	150	150	200	250	250	300
Music	200	300	300	400	500	500	600
peak	400	600	600	800	1000	1000	1200
SENSITIVITY 1W@1M	96dB	97dB	97dB	98dB	101dB	98dB	99dB
PEAK SPL	121.5dB	124.5dB	124.5dB	126dB	129.5dB	126.5dB	129.5dB
SYSTEM IMPEDANCE	8Ω	8Ω	8Ω	8Ω	4Ω	8Ω	8Ω
L F DRIVER SIZE							
Driver size	10"	12"	12"	15"	15"	15"	18"
Coil Size (mm/ins)	39/1.5"	51/2"	51/2"	51/2"	38/1.5"	65/2.5"	75/3"
HF SECTION							
Coil Size (mm/ins)	25 / 1"	25 / 1"	25 / 1"	25 / 1"	25 / 1"	-	-
Exit Size (mm/ins)	30/1.2"	30/1.2"	30/1.2"	30/1.2"	30/1.2"	-	-
HF Protection	Bulb	Bulb	Bulb	Bulb	Bulb	-	-
HF HORN	Elliptical	Elliptical	Elliptical	Elliptical	Elliptical	-	-
CROSSOVER SECTION:							
Crossover frequency	3.2k	3.2k	3.2k	3.2k	3.2k	150Hz/6dB	150Hz/6dB
High Pass Out	No	No	No	No	No	150Hz/6dB	150Hz/6dB
ENCLOSURE TYPE							
Shape	Trapezoid	Trapezoid	Floor monitor	Trapezoid	Trapezoid	Rectangular	Rectangular
Finish Colour	Carpet/Black	Carpet/Black	Carpet/Black	Carpet/Black	Carpet/Black	Carpet/Black	Carpet/Black
Stand Adaptor	Yes	Yes	No	Yes	No	Yes	Yes
Protect Corner	Black metal	Black metal	Black metal	Black metal	Black metal	Black metal	Black metal
Handle	2	2	2	2	2	2	2
INPUT CONNECTOR	2 x 1/4" phone	2 x 1/4" phone	2 x 1/4" phone	2 x 1/4" phone	2 x 1/4" phone	2 x 1/4" phone	2 x 1/4" phone
HIGH PASS OUT	No	No	No	No	No	1/4" phone	1/4" phone
DIMENSIONS (H x W x D)	494 x 317 x 288	554 x 428 x 355	415 x 248 x 554	638 x 463 x 390	1014 x 463 x 390	587 x 548 x 429	748 x 548 x 450
WEIGHT	10.28kg	15.58kg	14.9kg	19.26kg	31.0kg	31.52kg	38.56kg

#### SVP-15B AND SVP- 18B SUB-WOOFER:

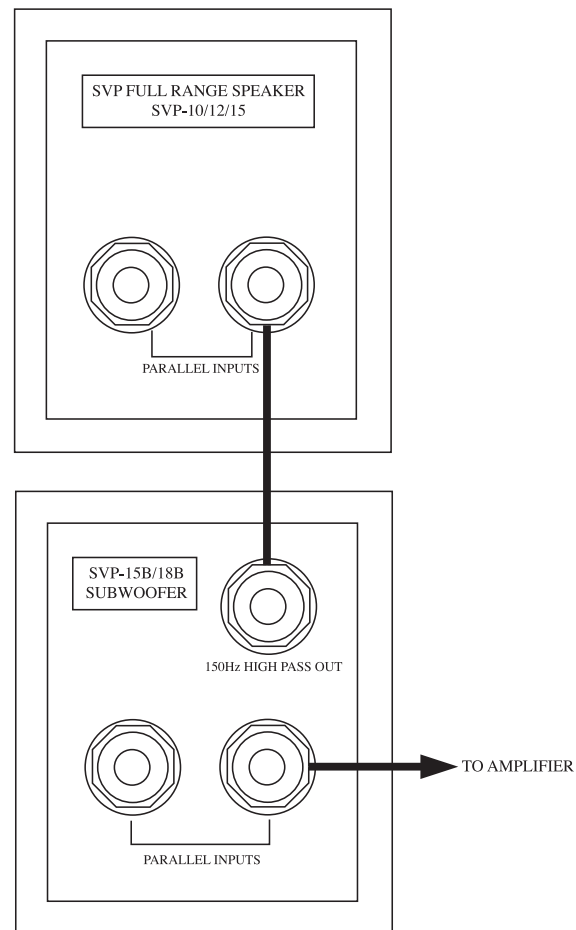
##### Application

For extended bass response in a multi way (2 or more) equalized system designed for high quality reproduction of voice, music and musical instruments, for mobile or fixed installations.

##### Description

These cabinets are all covered in tough impact resist carpet. They are designed for portability and are fitted with heavy duty handles and a 'kick -proof' steel protective grille. The SVP-18B and the SVP-15B have two 1/4" phone type jack sockets and are paralleled at the rear of each cabinet. (See diagram ).

A very special feature of these products is that they have built-in crossovers with high-pass outputs. This means that you may use one channel of your power amplifier to power both a subwoofer and a full-range speaker, while maintaining a reason-able load on your amplifier. The amplifier only sees the subwoofer/crossover load which is 8 ohms for SVP series subwoofers. Without the built-in crossover, the combined impedance of full-range and subwoofer speakers in parallel would be much lower. Also, the high-pass crossover output removes the very low bass frequencies from the signal going to the full-range speaker. This prevents distortion (and possible damage) from excessive low-frequency energy getting into the full-range speaker.



## SVP SERIES PROFESSIONAL SPEAKER USER MANUAL

SVP-10 • SVP-12 • SVP-12M • SVP-15 • SVP-215 • SVP-15B • SVP-18B

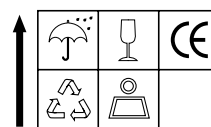
### WARNING & SAFETY INSTRUCTIONS

- 1. READ INSTRUCTIONS** carefully before operating this product.
- 2. RETAIN** these instructions.
- 3. COMPLY WITH WARNINGS** - All warnings and instructions for this product should be adhered to.
- 4. USE WITH AMPLIFIERS** - In order to avoid damage, it is advisable to establish and follow a pattern for turning on and off any sound system. With all system parts connected, turn on source equipment, tape decks, instruments, mixers, signal processors etc., BEFORE turning on your power amplifier. Many products output turn on and turn off transients that can damage speakers. By turning on your power amplifier LAST and making sure the amplifier's input controls are at minimum any transients "upstream" of the amplifier are not amplified and passed to the speaker. Wait until all system parts have stabilised, then bring up amplifier controls to operating level. This should take no more than a few seconds. Similarly when shutting systems down, always turn down amplifier input controls and then turn off your amplifier BEFORE shutting down other components. Professional amplifiers often feature delayed turn on/off circuits to perform these functions for you automatically.

- 5. CABLES** - Never use shielded or microphone cable for any speaker connection as this will not be heavy enough to handle the amplifier load and could cause damage to the complete system.
- 6. RIGGING • SUSPENDING • MOUNTING** - The rigging, suspension or mounting of this speaker system can expose members of the public to serious health risks and even death. UNDER NO CIRCUMSTANCES ATTEMPT TO RIG, SUSPEND OR OTHERWISE MOUNT THIS SYSTEM UNLESS YOU ARE FULLY QUALIFIED AND CERTIFIED TO DO SO BY RELEVANT LOCAL, STATE AND NATIONAL AUTHORITIES. ALL RELEVANT SAFETY REGULATIONS MUST BE FOLLOWED. IF YOU ARE NOT PROPERLY QUALIFIED OR DO NOT KNOW OF PERTINENT REGULATIONS, CONSULT QUALIFIED PERSONNEL FOR ADVICE AND ASSISTANCE.
- 7. CAUTION:** These professional loudspeaker systems are capable of generating very high sound pressure levels. Use care with placement and operation to avoid exposure to excessive levels that can cause permanent hearing damage.
- 8. SERVICING** - The user should not attempt to service this product.

#### Wharfedale Pro SVP Series of Professional Sound Reinforcement Loudspeakers

- Reliable, Durable construction
- Proprietary designed, high efficiency, high power Wharfedale Professional drive units.
- Protective grills
- Integral High Frequency Driver Overload protection "PRO-TECH"™
- Sophisticated crossover design enables smooth power and frequency response control through crossover region
- Trapezoid shape for arraying cabinets
- Integral tripod stand adaptor
- Low resonance enclosure design
- Full range and complimentary Sub Bass systems
- Exceptional sound quality, with broad bandwidth and dynamic range
- High Power Handling
- Metal corner protectors



**Unpacking**  
All Wharfedale Pro products are fully checked before leaving the factory. After unpacking please inspect cabinets for any physical damage. Please retain the shipping carton if possible and internal packing material in case the unit needs to be returned. Please check as soon as possible the unit is functioning. In the event of any damage please contact your dealer immediately so that a written claim for damages can be made.

**Wharfedale Pro Limited Warranty\***  
Wharfedale Pro SVP Series loudspeaker systems are warranted to be clear of manufacturing or materials defects for a period of one year from the original date of purchase. In the event of malfunction, contact your authorised Wharfedale Professional dealer or distributor for information. **A distributor list can be found at [www.wharfedalepro.com](http://www.wharfedalepro.com)**

\*Be aware that warranty details may differ from country to country. Contact your dealer or distributor for information. These terms do not infringe your statutory rights.

#### SVP 10, SVP-12, SVP-15, SVP-215

##### Operating:

The Wharfedale Pro SVP-10, SVP-12, SVP-15 and SVP-215 feature two 1/4" phone jack socket connectors and are paralleled. This means that these cabinets can be linked together with other cabinets of the same impedance and design or with a sub-bass unit.

**CAUTION:** If you are unsure of any of these procedures, check with your dealer or an experienced sound engineer.

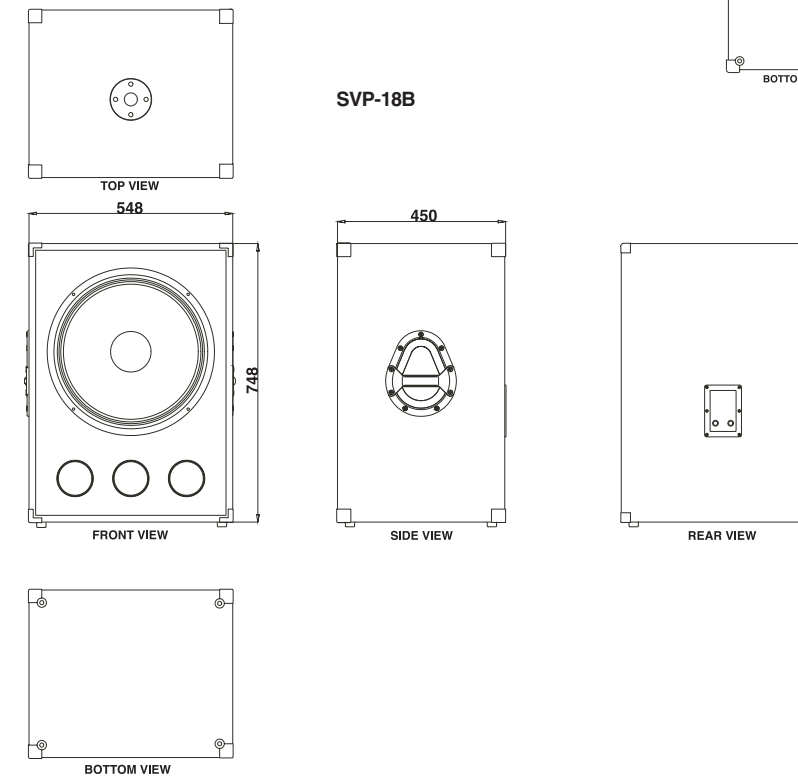
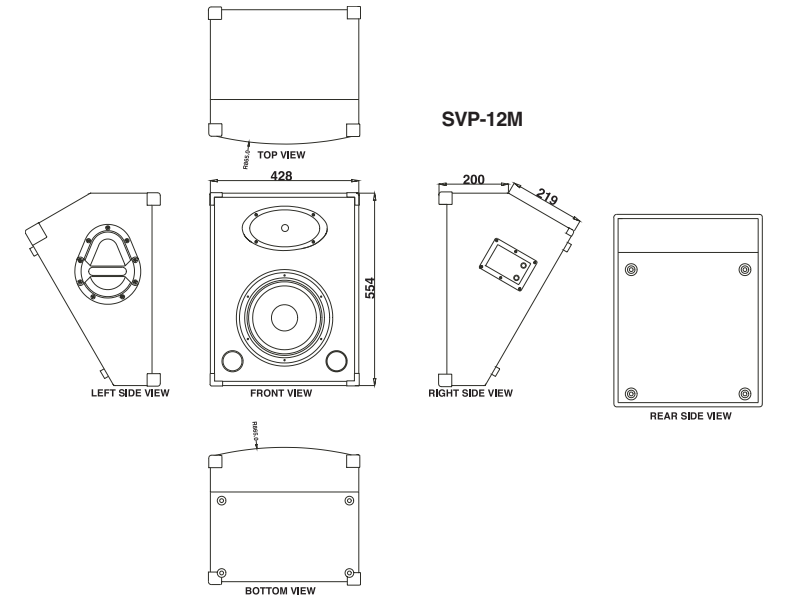
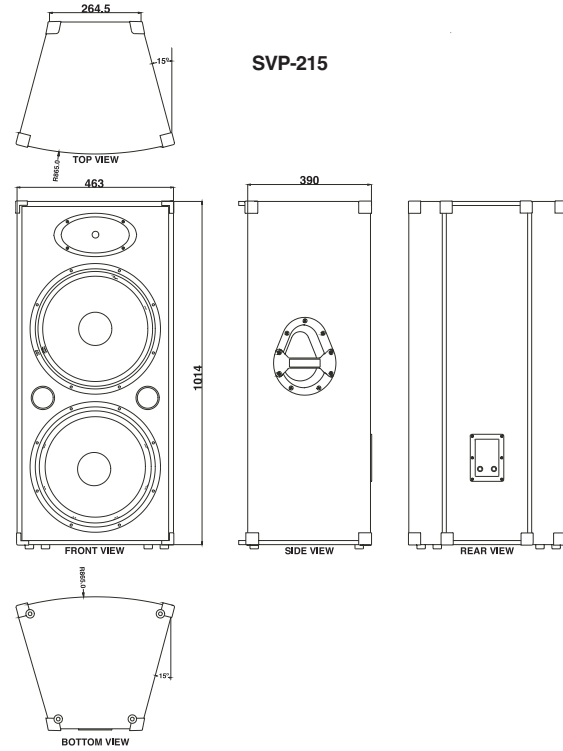
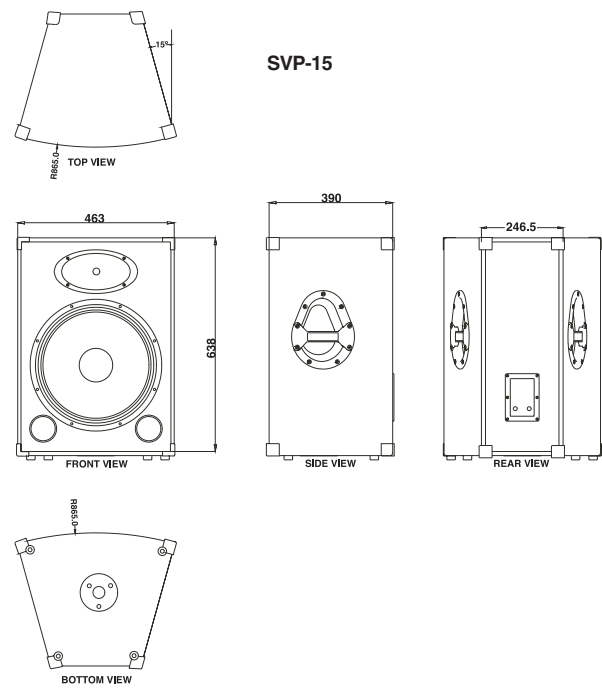
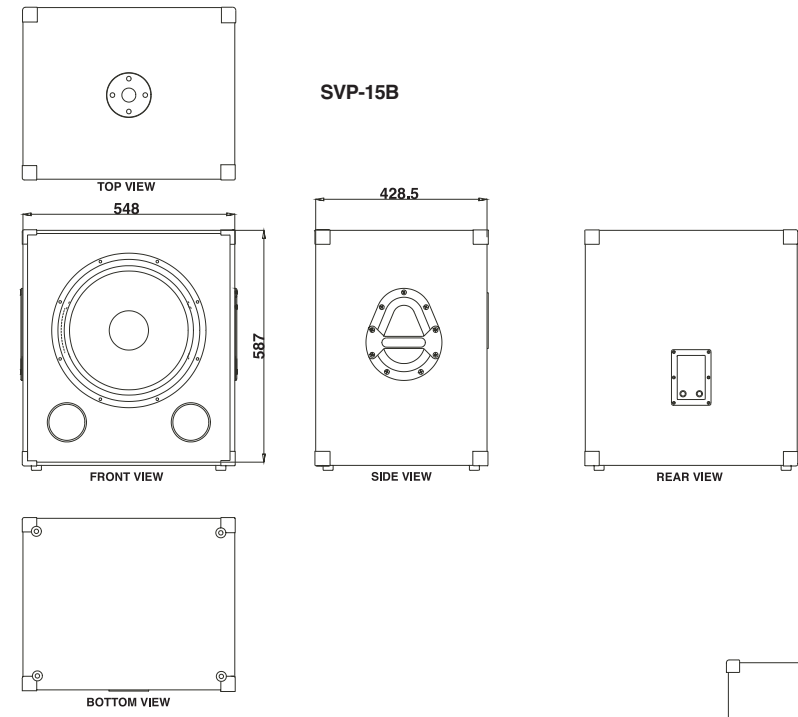
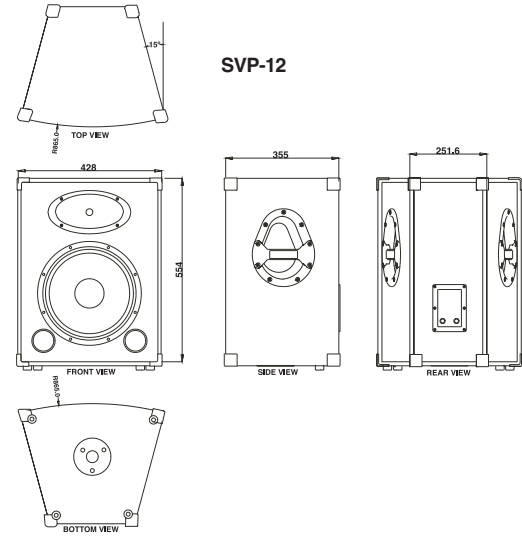
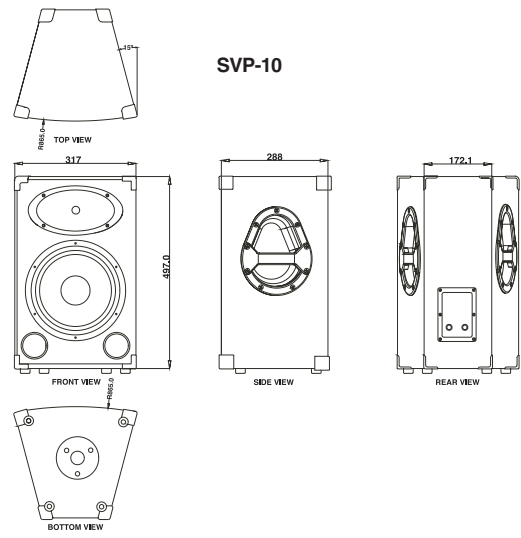
(1) Ensure you do not overload the amplifier you are using by linking too many units together and lowering the resistance (impedance) below the safe operating level of the amplifier.

**Note:** Each speaker connected in parallel increases the load on the amplifier and can add up to a total load that may exceed the amplifier's capabilities, leading to possible damage. Two 8Ω loudspeakers in parallel make a 4Ω total load. Four 8Ω parallel connected loudspeakers make a total load of 2Ω, which is too low for many amplifiers.

(2) Make sure that the speaker cable used is securely attached to the amplifier and the cabinet.

(3) Check all cables from the source unit (mixer or other source) to the amplifier. Check all power cables to all the electronic systems powering the loudspeakers and ensure that they meet with required safety standards.

# SVP DIMENSIONS



## Free Manuals Download Website

<http://myh66.com>

<http://usermanuals.us>

<http://www.somanuals.com>

<http://www.4manuals.cc>

<http://www.manual-lib.com>

<http://www.404manual.com>

<http://www.luxmanual.com>

<http://aubethermostatmanual.com>

Golf course search by state

<http://golfingnear.com>

Email search by domain

<http://emailbydomain.com>

Auto manuals search

<http://auto.somanuals.com>

TV manuals search

<http://tv.somanuals.com>