



WHARFEDALE SYSTEMS

PROGRAMME SERIES LOUDSPEAKERS USER MANUAL PROGRAMME 35, 35T

1. **READ INSTRUCTIONS** carefully before operating this product.
2. **RETAIN** these instructions.
3. **COMPLY WITH WARNINGS** - All warnings and instructions for this product should be adhered to.
4. **USE WITH AMPLIFIERS** - In order to avoid damage, it is advisable to establish and follow a pattern for turning on and off any sound system. With all system parts connected, turn on source equipment, tape decks, instruments, mixers, signal processors etc., BEFORE turning on your power amplifier. Many products output turn on and turn off transients that can damage speakers. By turning on your power amplifier LAST and making sure the amplifier's input controls are at minimum any transients "upstream" of the amplifier are not amplified and passed to the speaker. Wait until all system parts have stabilised, then bring up amplifier controls to operating level. This should take no more than a few seconds. Similarly when shutting systems down, always turn down amplifier input controls and then turn off your amplifier BEFORE shutting down other components. Professional amplifiers often feature delayed turn on/off circuits to perform these functions for you automatically.
5. **CABLES** - Never use shielded or microphone cable for any speaker connection as this will not be heavy enough to handle the amplifier load and could cause damage to the complete system.
6. **⚠️ RIGGING • SUSPENDING • MOUNTING**
The rigging, suspension or mounting of this speaker system can expose members of the public to serious health risks and even death. UNDER NO CIRCUMSTANCES ATTEMPT TO RIG, SUSPEND OR OTHERWISE MOUNT THIS SYSTEM UNLESS YOU ARE FULLY QUALIFIED AND CERTIFIED TO DO SO BY RELEVANT LOCAL, STATE AND NATIONAL AUTHORITIES. ALL RELEVANT SAFETY REGULATIONS MUST BE FOLLOWED. IF YOU ARE NOT PROPERLY QUALIFIED OR DO NOT KNOW OF PERTINENT REGULATIONS, CONSULT QUALIFIED PERSONNEL FOR ADVICE AND ASSISTANCE.
7. **⚠️ CAUTION:** These professional loudspeaker systems are capable of generating very high sound pressure levels. Use care with placement and operation to avoid exposure to excessive levels that can cause permanent hearing damage.
8. **SERVICING** - The user should not attempt to service this product except that mentioned in this manual.

Wharfedale Pro Programme 35 & 35T Professional Sound Reinforcement Loudspeakers

- Proprietary designed, high efficiency, high power Wharfedale Professional drive units.
- Sophisticated crossover design enables smooth power and frequency response control through crossover region.
- Integral High Frequency Driver Overload protection "PRO-TECH"TM
- High power output, low distortion sound quality
- 100 volt line system with switchable power tapping on 35T
- Vinyl black ash or rosewood finish. (Finish can be painted to match surroundings)
- Developed from award winning Diamond Series
- Small compact size

Unpacking

All Wharfedale Pro products are fully checked before leaving the factory. After unpacking please inspect cabinets for any physical damage. Please retain the shipping carton if possible and internal packing material in case the unit needs to be returned. Please check as soon as possible the unit is functioning. In the event of any damage please contact your dealer immediately so that a written claim for damages can be made.



Wharfedale Pro Limited Warranty*

Wharfedale Programme 35& 35T Series loudspeaker systems are warranted to be clear of manufacturing or materials defects for a period of one year from the original date of purchase. In the event of malfunction, contact your authorised Wharfedale Professional dealer or distributor for information.

*Be aware that warranty details may differ from country to country. Contact your dealer or distributor for information. These terms do not infringe your statutory rights.

Operating/Use

1. The Programme 35 & 35T accept stripped bare end cables. The Programme 35 & 35T have a push and clip connector at the rear of each cabinet.
2. Attach the speaker cable securely to your Programme Series unit and power amplifier (the amplifier should be **off, power down mode**). Try to use the correct type of speaker cable according to the handling ability of your Programme Series Cabinet. Use 2 core equal stranded insulated cable for speaker runs. It is always advisable to use heavier conductor cables on longer runs.
3. Power up amplifier with levels on zero. Confirm units are operating.



Programme 35 Rear

PROGRAMME 35 & 35T LOUDSPEAKER



APPLICATION: Wharfedale Pro Programme 35 & 35T series of foreground/background music speakers designed for demanding professional applications such as the reproduction and reinforcement of music and sound in venues as diverse airports, places of worship, retail premises, restaurants and public houses.

DESCRIPTION: Programme 35 & 35T Black/Rosewood Two-way (6.5" /165 mm woofer and 1"/25.4mm metal dome tweeter) reflex vented acoustically-efficient enclosure.

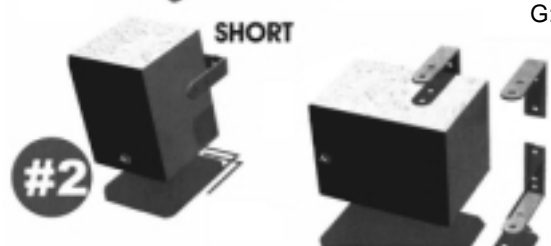
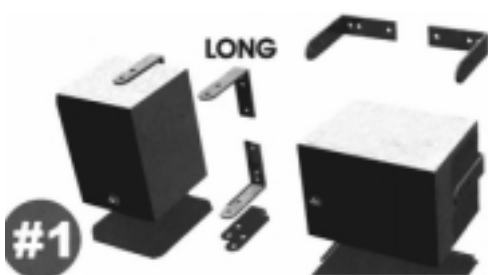
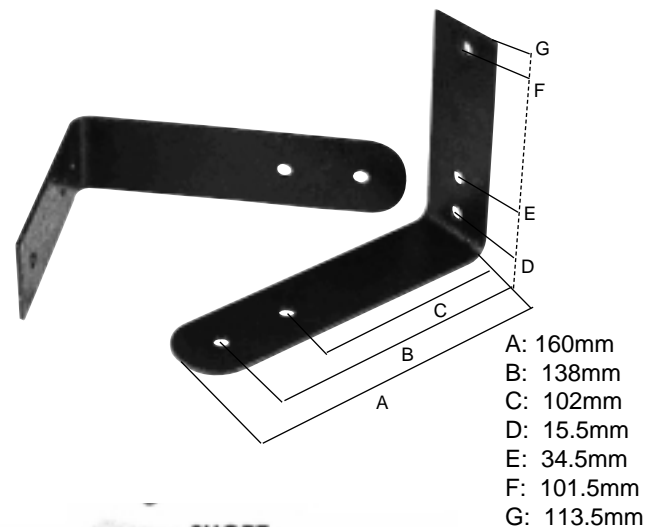
DEPLOYMENT: The Programme 35 & 35T can be mounted in a vertical or horizontal position using the mounting bracket hardware. All models have been designed for table-top or bookshelf installation or, with the use of special accessories they can be installed on the wall or Ceiling mounted.

IMPORTANT NOTE See Warning Section on **RIGGING • SUSPENDING • MOUNTING** before attempting to install Wharfedale Pro Programme 35 & 35T series of speakers. Optional Brackets are available from Wharfedale.

HIGH- IMPEDANCE/CONSTANT-VOLTAGE SYSTEM: The Programme 35T features an internal line-matching transformer with four power/impedance selections for 100 volt line. When speaker systems are connected in series, anything over 32Ω is considered high impedance. Use of constant-voltage distribution in installation increases the impedance to the desired level at the speaker location. With the line impedance well above the nominal speaker impedance, power loss in long speaker lines is minimised. Smaller wire can be used without excessive power loss. The four switchable power tapings are 5W,10W, 20W and 40W

HF PROTECTION: The Programme 35 & 35T series speakers are equipped with the "PRO-TECH"™ system, a dynamic tweeter protection circuit, composed of an accurate and sensitive protection lamp. When high signal levels are present that may pose a dangerous overload for the tweeter coil, the protection circuit will activate immediately to limit the power sent to the transducer.

PROGRAMME 35 & 35T SERIES TECHNICAL SPECIFICATION		
MODEL	Program 35	Program 35T
LF Driver	6.5"/ 165 mm x 1	6.5"/ 165mm x 1
HF drive unit	25.4mm aluminised mylar Dome	25.4mm aluminised mylar Dome
HF driver protection	Polyswitch	Polyswitch
Power Handling Music/Peak	60W/120W	100V line 5/10/20/40W
Nominal Impedance	8 Ω	-
Sensitivity	88dB 1w @1m	-
SPL (peak)	108db	-
Frequency Response	50Hz-20kHz	50Hz- 20kHz
Cabinet finish	Black/Rosewood	Black/Rosewood
Crossover point	2.3kHz	2.3kHz
Weight (single unit)	5.3Kg / 11.6 lbs	6.7Kg / 14.7 lbs
Dispersion character	60x60	60x60
Input connector	Bare wire connector	Bare wire connector
Dimension (mm & ins) H x W x D	310x220x203mm 12.2 x 8.7 x 8 inches	310x220x203mm 12.2 x 8.7 x 8 inches
Enclosure type	2 way reflex	2 way reflex



Wharfedale International Limited, IAG House, Sovereign Court, Ermine Business Park, Huntingdon, Cambs, PE29 6XU, England

www.wharfedalepro.com

The information in this manual is subject to change without notice. All rights reserved © 2001 Wharfedale Pro. Wharfedale is a member of the International Audio Group (IAG)
Download from www.Somanuals.com. All Manuals Search And Download.

IAG

Free Manuals Download Website

<http://myh66.com>

<http://usermanuals.us>

<http://www.somanuals.com>

<http://www.4manuals.cc>

<http://www.manual-lib.com>

<http://www.404manual.com>

<http://www.luxmanual.com>

<http://aubethermostatmanual.com>

Golf course search by state

<http://golfingnear.com>

Email search by domain

<http://emailbydomain.com>

Auto manuals search

<http://auto.somanuals.com>

TV manuals search

<http://tv.somanuals.com>