

Installation Instructions

Part No. 1163570 Rev. A

IMPORTANT:
Read and save
these instructions.

IMPORTANT:

Installer: Leave Installation Instructions with the homeowner.

Homeowner: Keep Installation Instructions for future reference.

Save Installation Instructions for local electrical inspector's use.

Air Conditioner

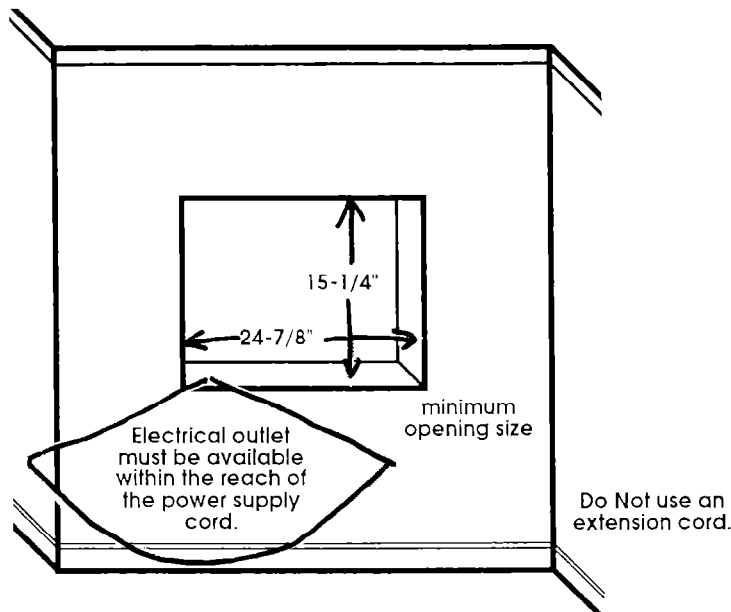


Before you start...

Proper installation is your responsibility. Make sure you have everything necessary for correct installation. It is the customer's responsibility to comply with the installation specifications provided.

Grounded electrical outlet within reach of the power supply cord is required. See Electrical requirements.

Important: Observe all governing codes and ordinances.



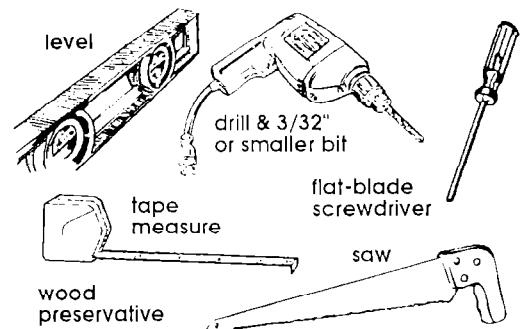
Check location where air conditioner will be installed:

- Correct opening size,
- Adequate wall support for weight of air conditioner,
- An electrical outlet within reach of power supply cord,

- Free movement of air to rooms to be cooled.

The opening dimensions must have 24-7/8" width and a 15-1/4" height.

Tools and materials needed for installation:



Parts supplied for installation:

- 2 screws
- gasket
- drain hose connector

Order Through-the-Wall Mounting Kit, Part No. 1158268 from authorized parts distributor.

Electrical requirements

⚠ WARNING

Electrical Shock Hazard

- Electrical ground is required on this appliance.
 - If cold water pipe is interrupted by plastic, non-metallic gaskets or other insulating materials, Do Not use for grounding.
 - Do Not ground to a gas pipe.
 - Do Not modify the power supply cord plug. If it does not fit the outlet, have a proper outlet installed by a qualified electrician.
 - Do Not have a fuse in the neutral or grounding circuit. A fuse in the neutral or grounding circuit could result in electrical shock.
 - Do Not use an extension cord with this appliance.
 - Check with a qualified electrician if you are in doubt as to whether the appliance is properly grounded.
- Failure to follow these instructions could result in serious injury or death.

If codes permit and a separate grounding wire is used, it is recommended that a qualified electrician determine that the grounding path is adequate.

⚠ WARNING

Electrical Shock Hazard

It is the customer's responsibility:

- To contact a qualified electrical installer.
- To assure that the electrical installation is adequate and in conformance with National

Electrical Code, ANSI/NFPA 70-latest edition*, and all local codes and ordinances.

Failure to do so could result in fire, electrical shock or other personal injury.

Personal Injury/Product Damage Hazard

- Because of the weight and size of the air conditioner, more than one person is needed to move, lift and safely install it.
- Handle air conditioner with care. Metal fins on front and rear coils are sharp.
- Do Not drink the water that collects inside the air conditioner. It is not sanitary.
- Maintain a firm hold on the air conditioner to prevent it from

falling out of opening during installation.

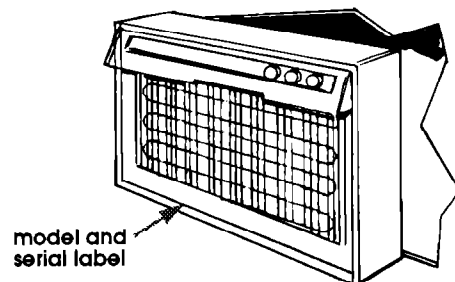
- Do Not locate air conditioner where cabinet front is exposed to a heat source that raises the surface temperature above 120°F.

Failure to follow these instructions could result in personal injury or damage to air conditioner.

Copies of the standards listed may be obtained from:

*National Fire Protection Association
Batterymarch Park
Quincy, Massachusetts 02269

A single-phase, 60-Hz, Ac-only, electrical supply is required on a separate circuit. A 15-amp time-delay fuse or circuit breaker is required. Copper wire (#14 gauge) is required. The fuse size must not exceed the circuit rating specified on the model and serial label. The model and serial label is located behind the front panel on the base flange.



Specific electrical requirements are listed in the chart. Follow the requirements for the type of plug on the power supply cord.

Wiring requirements

Plug Type A	Plug Type B
<p>3-prong grounding plug</p> <p>3-prong grounding-type wall receptacle</p> <p>grounding prong</p> <p>power supply cord</p>	<p>1/4" blade receptacle</p> <p>small tandem blades</p> <p>grounding prong</p>
115-volt - 103.5v min., 126.5v max.	230/208-volt - 197.6v min., 253v max.
7.5-amp rating or less - a double outlet is acceptable.	12-amp rating or less - use a single outlet and a separate circuit.
7.6- through 12-amp ratings - use only a single outlet and separate circuit.	12- through 16-amp ratings - use only a single outlet and a separate circuit.

Recommended grounding method

For your personal safety, this appliance must be grounded. This appliance is equipped with a power supply cord having a 3-prong grounding plug. To minimize possible shock hazard,

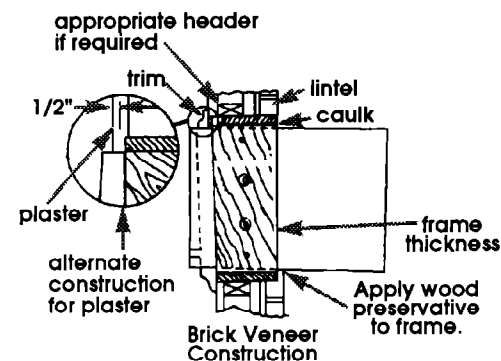
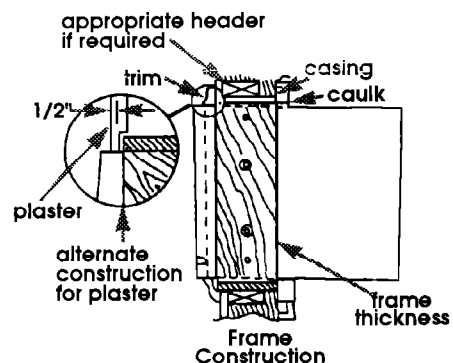
the cord must be plugged into a mating, 3-prong grounding-type wall receptacle, grounded in accordance with the National Electrical Code, ANSI/NFPA 70 — latest edition*, and all local codes and ordinances. If a mating wall receptacle is not available, it is the personal responsibility and obligation of the customer to have a properly grounded, 3-prong wall receptacle installed by a qualified electrician.

Now start...

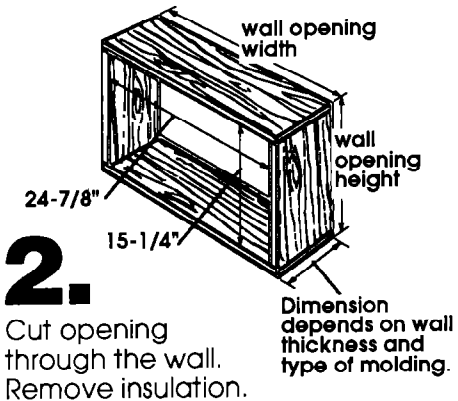
With air conditioner in room where it will be installed.

THROUGH-THE-WALL INSTALLATION INSTRUCTIONS.

It is the customer's responsibility and obligation to have this product installed by a qualified technician familiar with through-the-wall room air conditioner installations.



1. When using a wood, metal or plastic molding, the finish frame should line up with inside wall. If the plastered wall is to be flush with the cabinet and no molding is used, the finish frame must be set 1/2 inch into the wall.



2.

Cut opening through the wall. Remove insulation.

3.

Use 1-inch or heavier lumber for wood frame. Measure depth of wall opening and frame. Apply wood preservative to the outside exposed surface.

4.

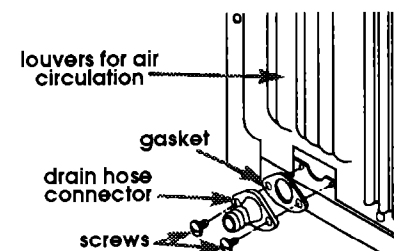
Insert the frame in the wall opening. Square and level frame. Nail frame securely to the wall studs.

CAUTION

Floor Damage
Remove air conditioner from carton and place on cardboard. Failure to do so may cause damage to floor covering.

5.

Remove air conditioner and front panel from carton.



6. If you plan to install a drain hose to the back of the air conditioner, install the drain hose connector as follows:

1. Remove the drain hose connector, gasket and screws from the plastic bag.
2. Attach them on the back of the air conditioner as shown above.

Note: If you are installing a new unit into an existing sleeve, you may need to modify the sleeve for the drain connector.

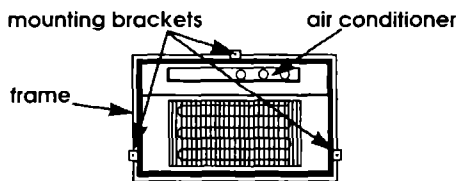
⚠️ WARNING

Personal Injury/Product Damage Hazard

Maintain a firm hold on the air conditioner to prevent it from falling out of the opening during installation.

Failure to follow this instruction could result in personal injury or damage to the air conditioner.

- 7.** If Through-the-Wall Sleeve No. A0W22WZ has been purchased, go to Step 9a.



If Through-the-Wall Mounting Kit No. 1158268 will be used, attach mounting brackets from Kit No. 1158268 as shown. Place air conditioner in center of opening.

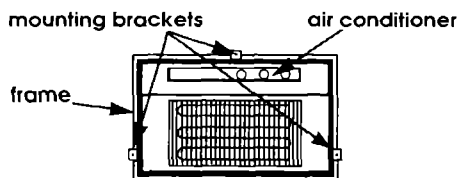
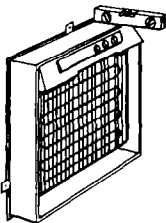
⚠️ CAUTION

Property Damage

Check that air conditioner cabinet is tilted to the outside so that water will run to the outside.

Failure to do so may cause damage to property.

- 8.** Place level on air conditioner. There should be a tilt to the outside of about one bubble. The air conditioner should be level from side to side.



- 9.** Secure air conditioner in opening by attaching the mounting brackets to the frame with wood screws. Go to Step 10.

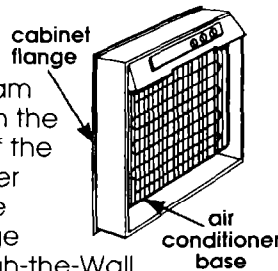
9a. Through-the-wall sleeve installation:

Check the air conditioner model number on the model/serial label located behind the front panel on the base flange. Check the air conditioner cabinet model number on the model/serial rating label located in the lower right front corner of the cabinet.

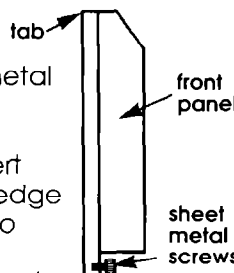
If air conditioner model number starts with letters **ACU**, remove the rear grille from the air conditioner and discard the grille.

- 9b.** Install the A0W22WZ sleeve in framed wall opening. Nail sleeve securely to the frame with a tilt (one full bubble) to the outside.

- 9c.** Place the foam seal between the front edge of the air conditioner base and the bottom flange of the Through-the-Wall cabinet. Slide the air conditioner into the sleeve.



- 10.** Remove sheet metal screws from air conditioner front base flange. Insert tabs on the top edge of front panel into slots in the air conditioner cabinet. Use two sheet metal screws to attach the bottom of the front panel to the cabinet.



- 11.** Use insulation to seal opening between cabinet and frame. Caulk outside wall openings around cabinet.

- 12.** If needed, install molding around room side of cabinet.

If your air conditioner is not operating properly...

Check that the circuit breaker is not tripped or house fuse blown. Check that power supply cord is securely plugged into the electrical outlet.

If you need assistance...

The Whirlpool Consumer Assistance Center will answer any questions about operating or maintaining your air conditioner not covered in the Installation Instructions. The Whirlpool Consumer Assistance Center is open 24 hours a day, 7 days a week. Just dial 1-800-253-1301 — the call is free.

When you call, you will need the air conditioner model number and serial number. Both numbers can be found on the model and serial label located behind the front panel on the base flange.

If you need service...

In the event that your Whirlpool appliance should need service, call the dealer from whom you purchased the appliance or a Whirlpool-authorized service company. A Whirlpool-authorized service company is listed in the Yellow Pages of your telephone directory under "Appliances — Household — Major — Service or Repair." You can also obtain the service company's name and telephone number by dialing, free, within the continental United States, the Whirlpool Consumer Assistance Center telephone number, 1-800-253-1301. A special operator will tell you the name and number of your nearest Whirlpool-authorized service company.

Maintain the quality built into your Whirlpool appliance — call a Whirlpool-authorized service company.



Free Manuals Download Website

<http://myh66.com>

<http://usermanuals.us>

<http://www.somanuals.com>

<http://www.4manuals.cc>

<http://www.manual-lib.com>

<http://www.404manual.com>

<http://www.luxmanual.com>

<http://aubethermostatmanual.com>

Golf course search by state

<http://golfingnear.com>

Email search by domain

<http://emailbydomain.com>

Auto manuals search

<http://auto.somanuals.com>

TV manuals search

<http://tv.somanuals.com>