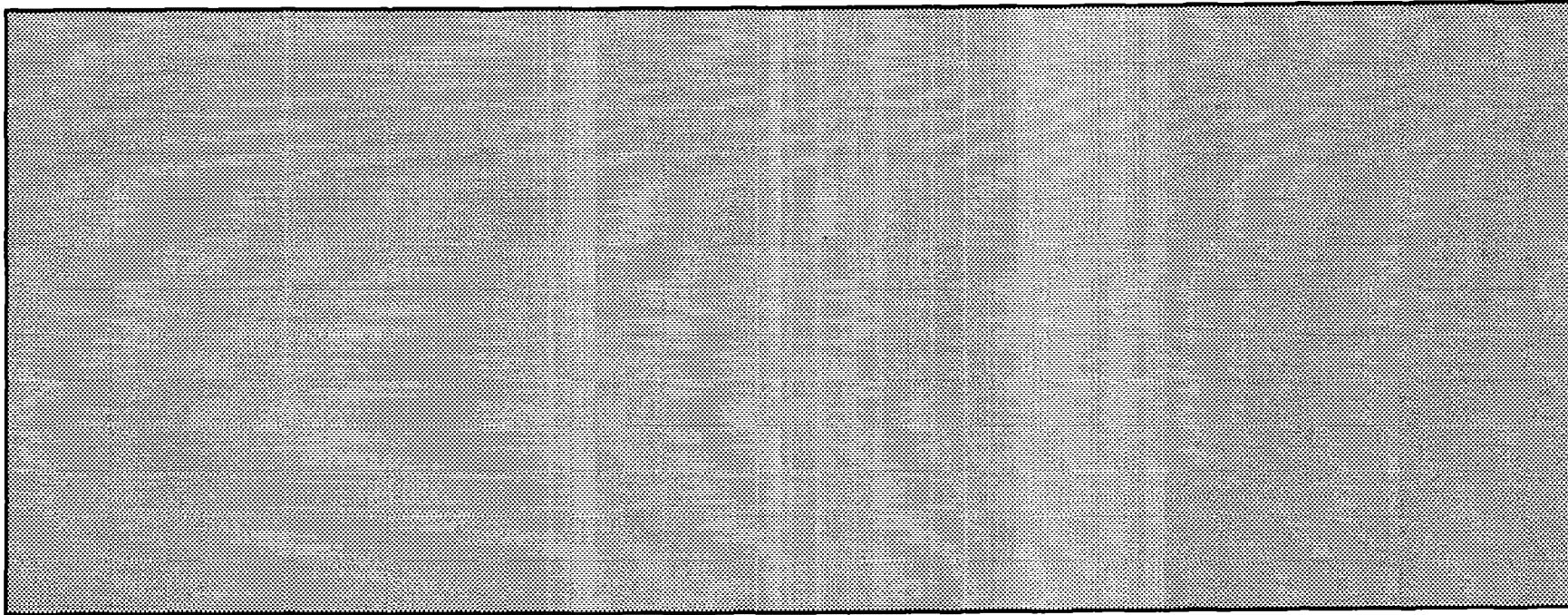


Installation Instructions



Part No. 1166073

IMPORTANT:
Read and save
these instructions.

Air Conditioner

IMPORTANT:

Installer: Leave Installation Instructions with homeowner.

Homeowner: Keep Installation Instructions for future reference.

Save Installation Instructions for local electrical inspector's use.

11/94

Before you start...

Proper installation is your responsibility. Make sure you have everything necessary for correct installation. It is the customer's responsibility to comply with the installation specifications provided.

Grounded electrical outlet within reach of the power supply cord is required. See Electrical requirements.

⚠ WARNING

Electrical Shock Hazard

It is the customer's responsibility:

- To contact a qualified electrical installer.
- To assure that the electrical installation is adequate and in conformance with Canadian Electrical Code, Part II or latest edition,* and all local codes and ordinances.

Failure to do so could result in fire, electrical shock or other personal injury.

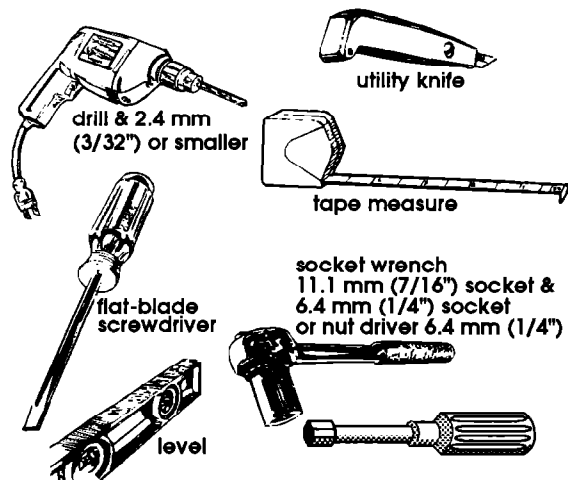
Check location where air conditioner will be installed. The location should provide:

- A window large enough,
- Adequate wall support for weight of air conditioner,
- An electrical outlet within reach of service cord,
- Free movement of air to rooms to be cooled.

Copies of the standards listed may be obtained from:

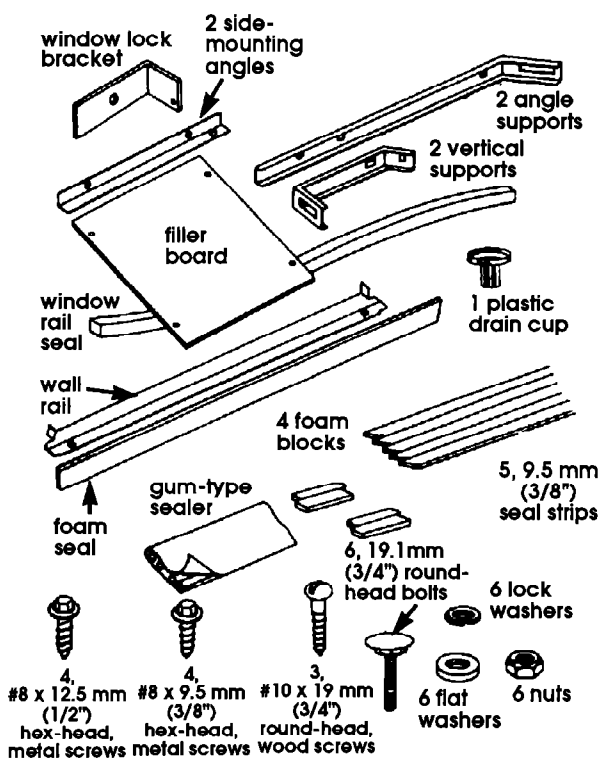
* Canadian Standard Association
178 Rexdale Boulevard
Rexdale (Toronto), Ontario M9W 1R3

Tools and materials needed for installation:



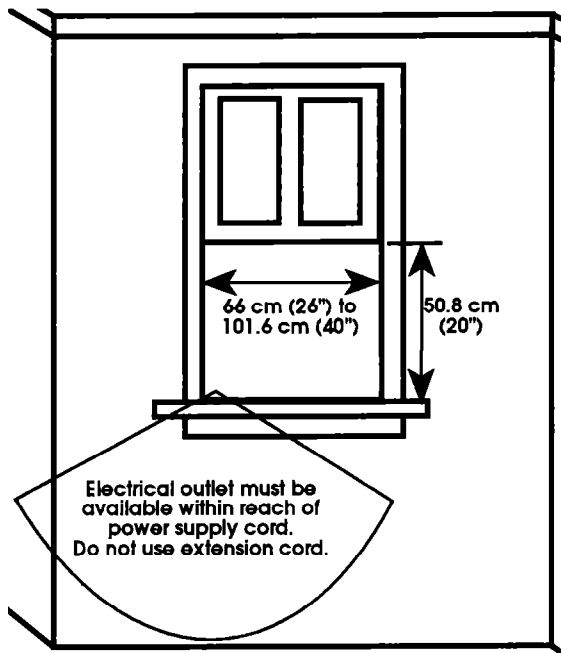
Through-the-wall installations:
wood preservative 10, #10 x 25.4 mm (1") screws

Parts supplied for installation:



Installation parts are supplied for double-hung windows up to 101.6 cm (40") wide. Installation up to 137 cm (54") can be made with a special, wide window kit available from your dealer or service center.

Panel A



Important: Observe all governing codes and ordinances.

Electrical requirements

⚠ WARNING

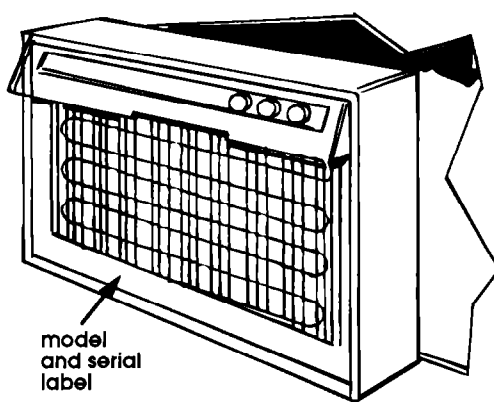
Electrical Shock Hazard

- Electrical ground is required on this appliance.
- Do Not ground to a gas pipe.
- Do Not modify the power supply cord plug. If it does not fit the outlet, have a proper outlet installed by a qualified electrician.
- Do Not have a fuse in the neutral or grounding circuit. A fuse in the neutral or grounding circuit could result in electrical shock.
- Do Not use an extension cord with this appliance.
- Check with a qualified electrician if you are in doubt as to whether the appliance is properly grounded.
- Grounding wire must be connected to grounding screw located in lower right corner of air conditioner when air conditioner is in cabinet.

Failure to follow these instructions could result in serious injury or death.

If codes permit and a separate grounding wire is used, it is recommended that a qualified electrician determine that the grounding path is adequate.

A single-phase, 60-Hz, AC-only, electrical supply is required on a separate circuit. A time-delay fuse or circuit breaker is required — 15-amp for models without electric heater and 30-amp for models with electric heater. The fuse size must not exceed the circuit rating specified on the model and serial label. The model and serial label is located behind the front panel on the base flange.



⚠ WARNING

Personal Injury/Product Damage Hazard

- Because of the weight and size of the air conditioner, more than one person is needed to move, lift and safely install it.
- Handle air conditioner with care. Metal fins on front and rear coils are sharp.
- Do Not use the water that collects inside the air conditioner for drinking purposes. It is not sanitary.
- Maintain a firm hold on the air conditioner to prevent it from falling out the window during installation.
- Do Not locate air conditioner where cabinet front is exposed to a heat source that raises the surface temperature above 48.9°C (120°F).

Failure to follow these instructions could result in personal injury or damage to air conditioner.

Specific electrical requirements are listed in the chart. Follow the requirements for the type of plug on the power supply cord.

Wiring requirements

⚠ WARNING

Electrical Shock Hazard

Disconnect power supply cord from receptacle before servicing. Failure to follow these instructions could result in serious injury or death.

Note: Refer to model and serial label for BTU capacity, amperage, voltage and refrigerant charge specifications.

Plug type	Electrical requirements	Minimum receptacle wire size
	115-volt models rated up through 12.0 amperes	14 gauge
	230-volt and 230/208-volt models rated up through 12.0 amperes	14 gauge
	230-volt and 230/208-volt models rated up through 16.0 amperes	12 gauge
	230-volt and 230/208-volt models rated up through 24.0 amperes	10 gauge

Recommended grounding method

For your personal safety, this appliance must be grounded. This appliance is equipped with a power supply cord having a 3-prong grounding plug. To minimize possible shock hazard, the cord must be plugged into a mating, 3-prong grounding-type wall receptacle, grounded in accordance with the Canadian Electrical Code, Part II or latest edition*, and all local codes and ordinances. If a mating wall receptacle is not available, it is the personal responsibility and obligation of the customer to have a properly grounded, 3-prong wall receptacle installed by a qualified electrician.

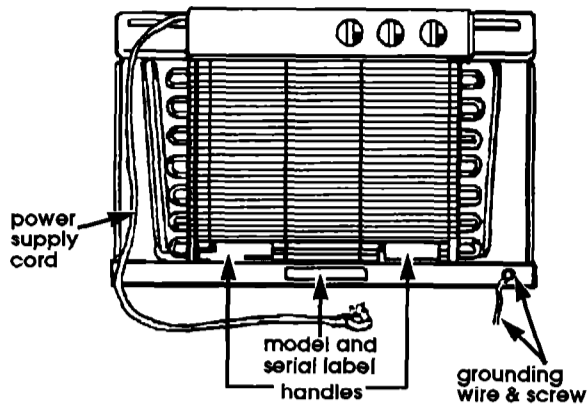
Now start...

With air conditioner in room where it will be installed

WINDOW INSTALLATION

See Panel C for Through-the-wall installation.

Front view of unit with front panel removed.

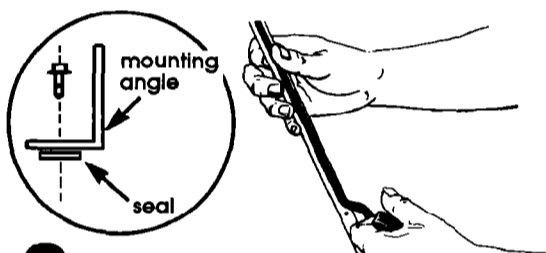


1. Loosen, but Do Not remove grounding wire screw. Disconnect grounding wire.

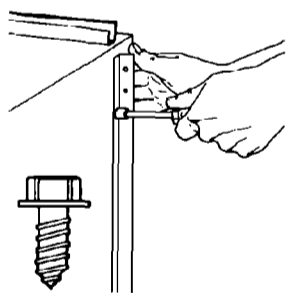
CAUTION

Floor Damage

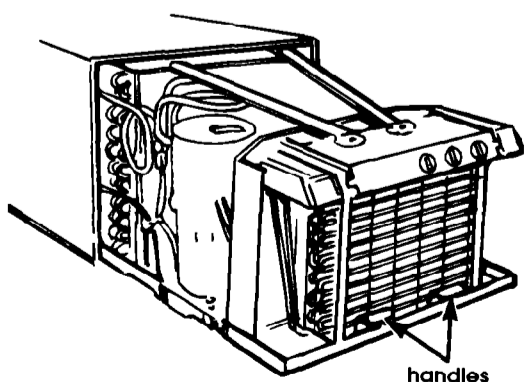
Remove air conditioner from carton and place on cardboard. Failure to do so may cause damage to floor covering.



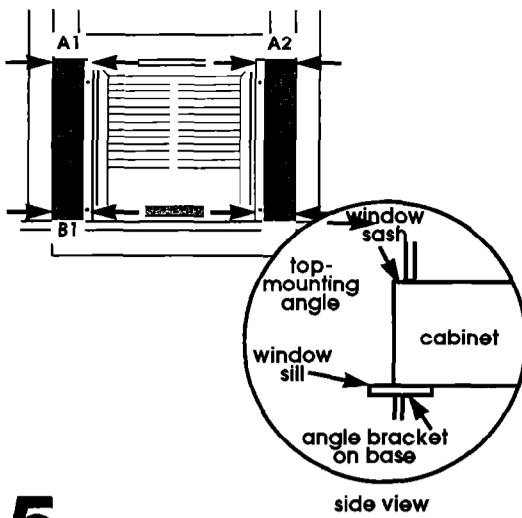
2. Attach 9.5 mm (3/8") seal strip to the bottom of both side mounting angles (side with two holes). Cut strips to length.



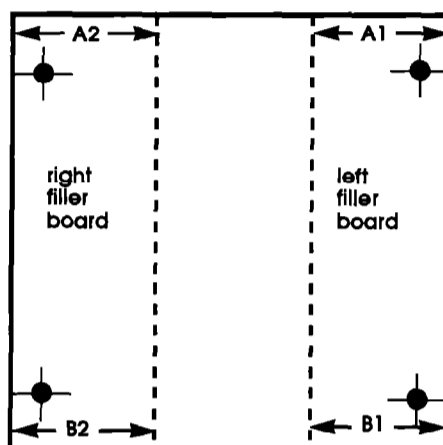
3. Attach side-mounting angle with two, hex-head, metal screws using 6.4 mm (1/4") socket and socket wrench or 1/4" nut driver.



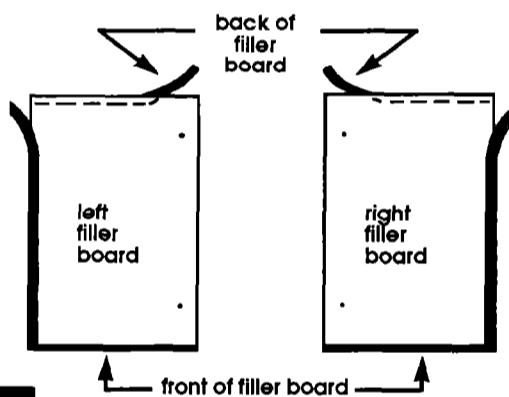
4. Pull on handles; slide air conditioner out of cabinet and place on cardboard.



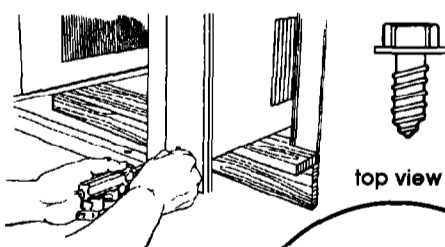
5. Place cabinet in window. Lower sash (window frame) to hold cabinet in place. Measure the distance between the side of the cabinet and inside of the window channel at the top and bottom of the cabinet. Adjust the cabinet until the distance on each side (top and bottom) is the same, so the cabinet is centered in the window. Write down the final measurement.



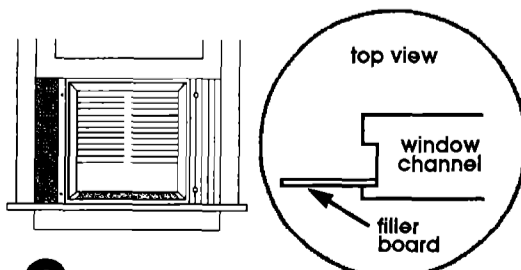
6. Add 3.2 mm (1/8") to both open area measurements. Use utility knife to cut filler boards to fit.



7. Apply 9.5 mm (3/8") seal strips to bottom and outside of filler boards. The top seal goes on back side of filler boards.



8. Pull cabinet part way out of window. Attach one filler board to front of a side-mounting angle with 12.5 mm (1/2") hex-head screws.

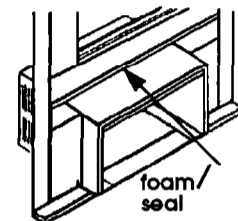
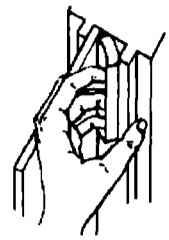


9. Place cabinet back into the window with filler board tight against window channel.

10. Insert other filler board into window channel on opposite side of cabinet. Push filler board against side-mounting angle and attach with 12.5 mm (1/2") hex-head screws. Raise window sash.

11. From the outside, push filler boards as far forward in window channels as possible.

12. Measure the distance between the channel edge and the filler board. Cut foam blocks 6.4 mm (1/4") wider. Insert blocks into channel behind filler boards.

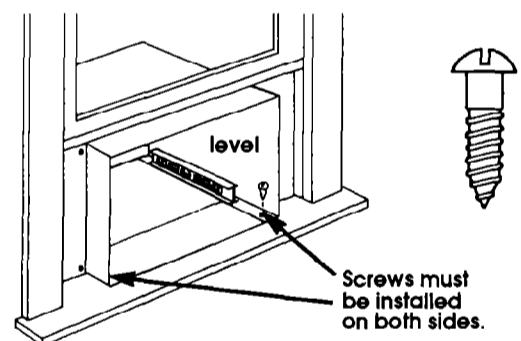


13. Measure from inside edge of window frame to other inside edge. Cut foam seal with square ends to fit. Align foam seal with front edge of window sash and attach seal with adhesive side against underside of sash.

CAUTION

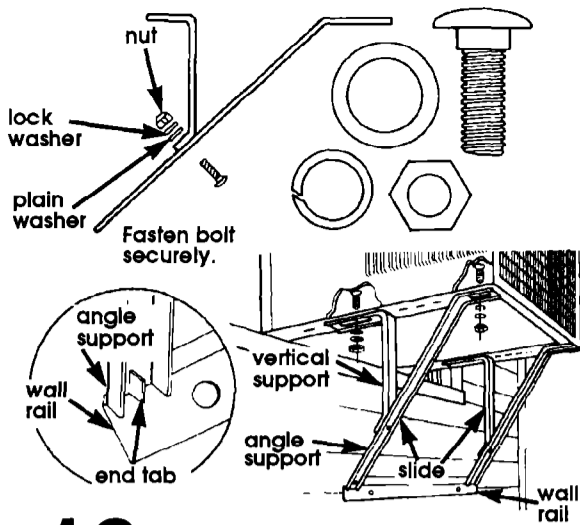
Property Damage

Check that air conditioner cabinet is fitted to the outside so that water will run to the outside. Failure to do so may cause damage to floor covering, window sill or wall.



14. Lower window sash. Place level inside cabinet on the right side. There should be a tilt to the outside of approximately one bubble. Place the level on the left side and check.

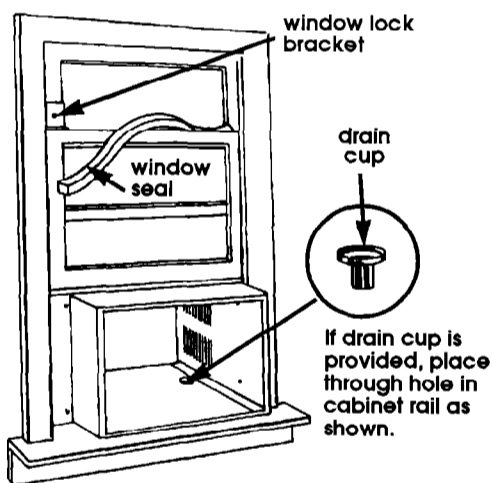
15. Use a 2.4 mm (3/32") drill bit to drill starter holes in the cabinet and into the window sill. Fasten cabinet to the sill with two wood screws.



16. Secure vertical and angle supports together. Attach supports to bottom of cabinet. But Do Not tighten bolts at this time. Attach wall rail to angle supports. Slide each support assembly toward house until wall rail is positioned firmly against wall.
 Note: If your house is constructed of material that could be damaged by wall-mounting support, fasten a board between wall rail and house.

17. Tighten bolts securely with a 11.1 mm (7/16") socket and socket wrench. Tighten angled support bolts last so wall rail fits tightly against house.

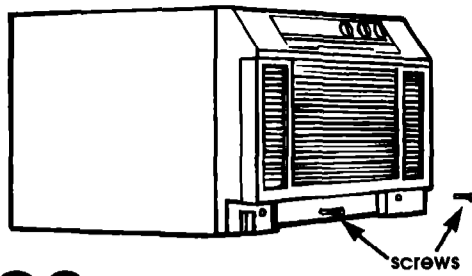
⚠ WARNING
Personal Injury/Product Damage Hazard
 Install window-lock bracket to prevent air conditioner from falling out of window.
 Failure to do so could result in personal injury or product damage.



18. Insert window rail seal behind the top of the lower window sash and against the glass of the upper window. Place window-lock bracket on top of lower window and against upper window sash. Use a 2.4 mm (3/32") drill bit to drill a starter hole through the hole in the bracket. Attach window-lock bracket with wood screw. Seal small openings around window with gum-type sealer.

⚠ WARNING
Electrical Shock Hazard
 Grounding wire from the air conditioner must be connected to the cabinet.
 Failure to do so could result in electrical shock.

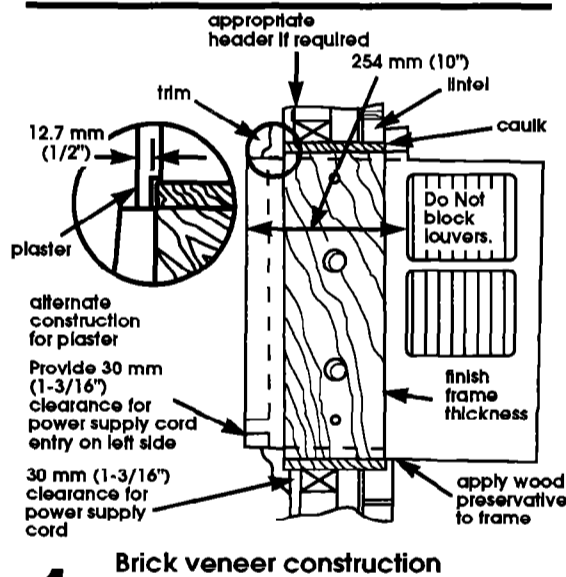
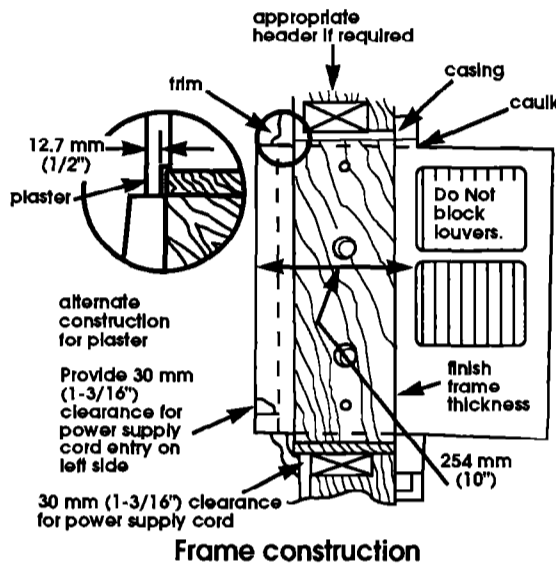
19. Insert air conditioner into cabinet. Reattach grounding wire to grounding screw. Put excess grounding wire between coil and grey beaded foam.



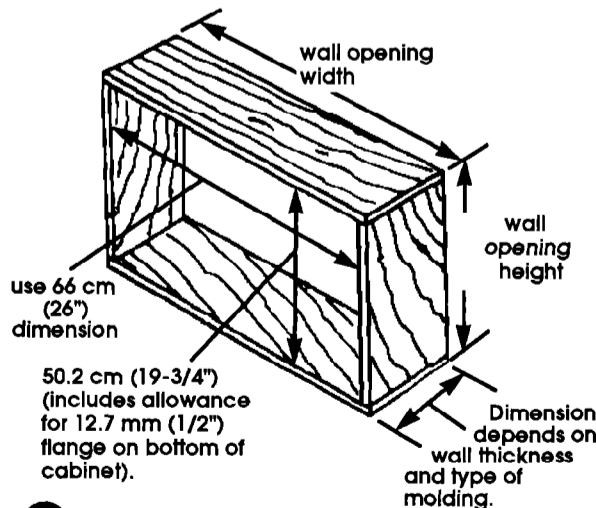
20. Attach front by first removing the two, #8 x 9.5 mm (3/8") screws from base; then insert front tabs into top of cabinet and swing front in place. Attach bottom of front by reinserting the two screws.

THROUGH-THE-WALL INSTALLATION INSTRUCTIONS ... FOR SLIDE-OUT CHASSIS MODEL ONLY.

It is the customer's responsibility and obligation to have this product installed by a qualified technician familiar with through-the-wall room air conditioner installations.



1. When using a wood, metal or plastic molding, the finish frame should line up with inside wall. If the plastered wall is to be flush with the cabinet and no molding is used, the finish frame must be set 12.7 mm (1/2") into the wall.



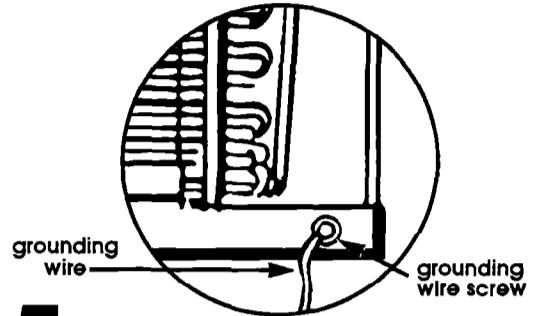
2. Cut opening through the wall. Remove insulation.

3. Use 25.4 mm (1") or heavier lumber for wood frame. Measure depth of wall opening and frame. Apply wood preservative to the outside exposed surface.

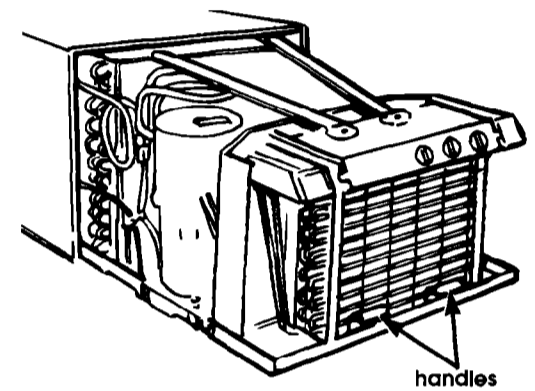
4. Insert the frame in the wall opening. Square the level frame. Nail frame securely to the wall studs.

⚠ CAUTION

Floor Damage
 Remove air conditioner from carton and place on cardboard.
 Failure to do so may cause damage to floor covering.



5. Loosen, but Do Not remove grounding wire screw. Disconnect grounding wire.



6. Pull on handles; slide air conditioner out of cabinet and place on cardboard.

7. Insert cabinet into wall opening. The top of the cabinet should extend 12.7 mm (1/2") into room. If there is trim, the cabinet should extend 12.7 mm (1/2") in front of trim.

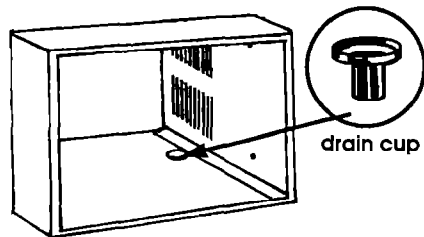
⚠ CAUTION

Property Damage
 Check that air conditioner cabinet is tilted to the outside so that water will run to the outside.
 Failure to do so may cause damage to floor covering or wall.

8. Place level inside cabinet on the right side. There should be a tilt to the outside of approximately one bubble. Place the level on the left side and check.

9. Use the insulation removed in Step 2 to seal opening between cabinet and frame.

10. Drill four holes on each side and two through the top of the cabinet into the frame. Use ten #10 x 25.4 mm (1") wood screws (not provided) to attach cabinet to frame. **Do Not overtighten screws or cabinet will distort and provide a poor air seal between cabinet and air conditioner.**



- 11.** Place drain cup through hole in cabinet rail as shown.

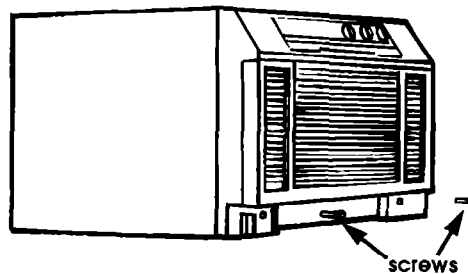
! WARNING

Electrical Shock Hazard

Grounding wire from the air conditioner must be connected to the cabinet.

Failure to do so could result in electrical shock.

- 12.** Insert air conditioner into cabinet. Reattach grounding wire to grounding screw. Put excess grounded wire between coil and grey beaded foam.



- 13.** Attach front by first removing the two, #8 x 9.5mm (3/8") screws from base; then insert front tabs into top of cabinet and swing front in place. Attach bottom of front by reinserting the two screws.

- 14.** Caulk all outside wall openings around cabinet.

- 15.** If needed, install molding around room side of cabinet.

If your air conditioner is not operating properly...

Check that the circuit breaker is not tripped or house fuse blown. Check that power supply cord is securely plugged into the electrical outlet.

If you need assistance...

Check your Use and Care Guide for a toll-free number to call, or call the dealer from whom you purchased this appliance. The dealer is listed in the Yellow Pages of your phone directory under "Appliances — Household — Major — Service and Repair."

When you call, you will need the model number and serial number. Both numbers can be found on the model and serial label located behind the front panel on the front flange of the base.



Free Manuals Download Website

<http://myh66.com>

<http://usermanuals.us>

<http://www.somanuals.com>

<http://www.4manuals.cc>

<http://www.manual-lib.com>

<http://www.404manual.com>

<http://www.luxmanual.com>

<http://aubethermostatmanual.com>

Golf course search by state

<http://golfingnear.com>

Email search by domain

<http://emailbydomain.com>

Auto manuals search

<http://auto.somanuals.com>

TV manuals search

<http://tv.somanuals.com>