

---

## PORTABLE AIR CONDITIONER

### Use & Care Guide

For questions about features, operation/performance, parts or service, call: **1-877-465-3566**

or visit our website at... [www.whirlpool.com](http://www.whirlpool.com)

In Canada, call for assistance, installation and service, call: **1-877-577-4105**

---

## ACONDICIONADOR DE AIRE PORTÁTIL

### Manual de uso y cuidado

Si tiene preguntas respecto a las características, funcionamiento, rendimiento, partes o servicio técnico, llame al: **1-877-465-3566**

o visite nuestro sitio de internet en... [www.whirlpool.com](http://www.whirlpool.com)

---

## CLIMATISEUR PORTATIF

### Guide d'utilisation et d'entretien

Au Canada, pour assistance, installation ou service, composez le **1-877-577-4105**

ou visitez notre site web à... [www.whirlpool.com](http://www.whirlpool.com)

---

Table of Contents/Índice/Table des matières ..... 2

---

# TABLE OF CONTENTS

<b>AIR CONDITIONER SAFETY</b> .....	3	Changing Air Direction .....	12
<b>INSTALLATION REQUIREMENTS</b> .....	3	Normal Sounds.....	12
Tools and Parts .....	3	<b>PORTABLE AIR CONDITIONER CARE</b> .....	13
Location Requirements .....	4	Draining the Air Conditioner .....	13
Electrical Requirements .....	4	Cleaning the Air Filter .....	13
<b>INSTALLATION INSTRUCTIONS</b> .....	5	Cleaning the Outside.....	13
Unpack the Air Conditioner.....	5	Storing After Use .....	13
Install Portable Air Conditioner .....	5	<b>TROUBLESHOOTING</b> .....	14
Complete Installation .....	7	<b>ASSISTANCE OR SERVICE</b> .....	15
<b>PORTABLE AIR CONDITIONER USE</b> .....	8	In the U.S.A. ....	15
Starting Your Portable Air Conditioner .....	8	In Canada .....	15
Using the Remote Control .....	10		

## ÍNDICE

<b>SEGURIDAD DEL ACONDICIONADOR DE AIRE</b> .....	16	Cómo usar el control remoto .....	24
<b>REQUISITOS DE INSTALACIÓN</b> .....	16	Cómo cambiar la dirección del aire .....	26
Herramientas y piezas.....	16	Sonidos normales.....	26
Requisitos de ubicación.....	17	<b>CÓMO CUIDAR SU ACONDICIONADOR DE AIRE PORTÁTIL</b> .....	27
Requisitos eléctricos .....	17	Desagüe del acondicionador de aire .....	27
<b>INSTRUCCIONES DE INSTALACIÓN</b> .....	18	Limpieza del filtro de aire .....	27
Desempaquetar el acondicionador de aire.....	18	Limpieza del exterior .....	27
Instalación del acondicionador de aire portátil.....	18	Almacenamiento después del uso.....	27
Complete la instalación.....	21	<b>SOLUCIÓN DE PROBLEMAS</b> .....	28
<b>CÓMO USAR SU ACONDICIONADOR DE AIRE PORTÁTIL</b> .....	21	<b>AYUDA O SERVICIO TÉCNICO</b> .....	29
Cómo poner en marcha su acondicionador de aire portátil .....	21	En los EE.UU. ....	29

## TABLE DES MATIÈRES

<b>SÉCURITÉ DU CLIMATISEUR</b> .....	30	Changement de direction de l'air.....	40
<b>EXIGENCES D'INSTALLATION</b> .....	30	Sons normaux .....	40
Outils et pièces.....	30	<b>ENTRETIEN DU CLIMATISEUR PORTATIF</b> .....	40
Exigences d'emplacement.....	31	Vidange du climatiseur .....	40
Spécifications électriques .....	31	Nettoyage du filtre à air .....	41
<b>INSTRUCTIONS D'INSTALLATION</b> .....	32	Nettoyage de la partie extérieure.....	41
Déballage du climatiseur.....	32	Remisage après utilisation .....	41
Installation d'un climatiseur portatif.....	32	<b>DÉPANNAGE</b> .....	42
Pour compléter l'installation .....	35	<b>ASSISTANCE OU SERVICE</b> .....	43
<b>UTILISATION DU CLIMATISEUR PORTATIF</b> .....	35	Aux États-Unis.....	43
Mise en marche du climatiseur portatif .....	35	Au Canada .....	43
Utilisation de la télécommande.....	38		

# AIR CONDITIONER SAFETY

## Your safety and the safety of others are very important.

We have provided many important safety messages in this manual and on your appliance. Always read and obey all safety messages.



This is the safety alert symbol.

This symbol alerts you to potential hazards that can kill or hurt you and others.

All safety messages will follow the safety alert symbol and either the word "DANGER" or "WARNING."

These words mean:

**DANGER**

You can be killed or seriously injured if you don't **immediately** follow instructions.

**WARNING**

You can be killed or seriously injured if you don't follow instructions.

All safety messages will tell you what the potential hazard is, tell you how to reduce the chance of injury, and tell you what can happen if the instructions are not followed.

## IMPORTANT SAFETY INSTRUCTIONS

**WARNING:** To reduce the risk of fire, electrical shock or injury when using your air conditioner, follow these basic precautions:

- Plug into a grounded 3 prong outlet.
- Do not use an extension cord.
- Do not remove ground prong.
- Unplug air conditioner before servicing.
- Do not use an adapter.
- Use two or more people to move and install air conditioner.

SAVE THESE INSTRUCTIONS

# INSTALLATION REQUIREMENTS

## Tools and Parts

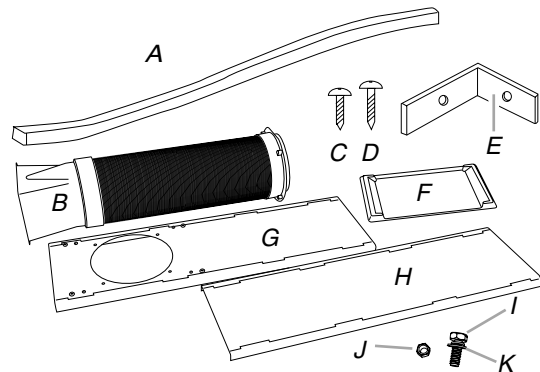
Gather the required tools and parts before starting installation. Read and follow the instructions provided with any tools listed here.

### Tools needed

- Phillips screwdrivers
- Scissors
- Saw
- Tape measure
- Pencil
- Cordless drill and 1/8" or smaller bit

### Parts supplied

Check that all parts are included in the package containing parts.



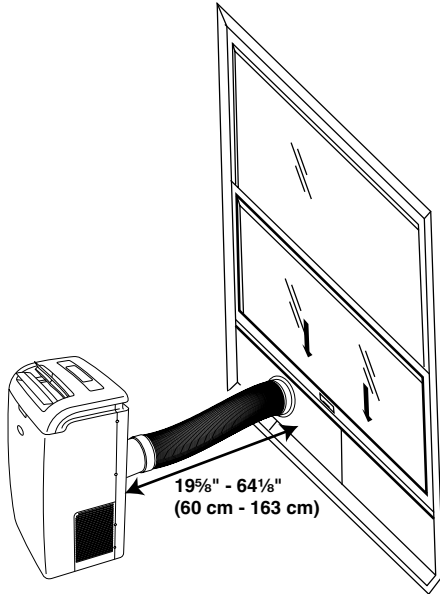
- A. Foam seal
- B. Flexible exhaust hose with adapters attached
- C. 1/2" screws (4)
- D. 3/4" screws (4)
- E. Window lock bracket
- F. Rain cover
- G. Outer window slider section
- H. Inner window slider section
- I. Bolts (4)
- J. Nuts (4)
- K. Washers (4)

## Location Requirements

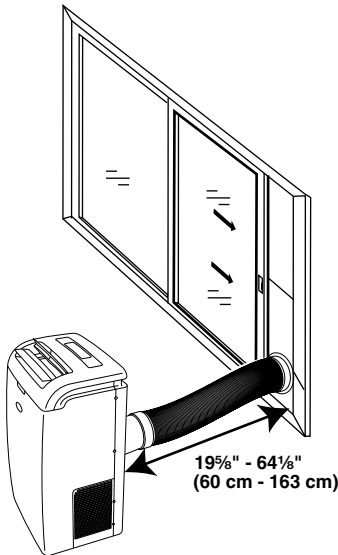
### NOTES:

- The flexible exhaust hose allows placement of the air conditioner between 19 $\frac{5}{8}$ " and 64 $\frac{1}{8}$ " (60 cm and 163 cm) from window or door.
- Portable air conditioners are designed as supplemental cooling to local areas within a room.

### Vertical Slide Window



### Horizontal Slide Window



- To ensure proper ventilation, keep the required distance from the return air outlet to the wall or other obstacles at least 19 $\frac{5}{8}$ " (60 cm).
- Do not block the air outlet.
- Provide easy access to the grounded 3 prong outlet.

## Electrical Requirements

### **⚠ WARNING**



#### Electrical Shock Hazard

Plug into a grounded 3 prong outlet.

Do not remove ground prong.

Do not use an adapter.

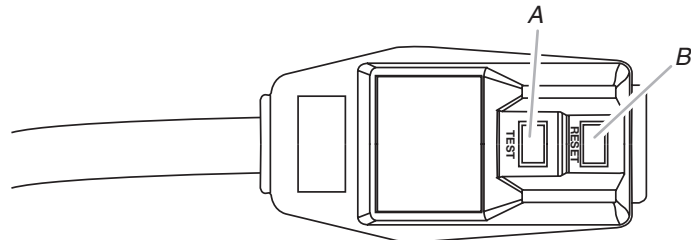
Do not use an extension cord.

Failure to follow these instructions can result in death, fire, or electrical shock.

- The portable air conditioner should be connected to a 115 V, 60 Hz, 15-amp fused grounded 3 prong outlet.
- The use of a time-delay fuse or time-delay circuit breaker is recommended.
- All wiring must comply with local and national electrical codes and be installed by a qualified electrician. If you have any questions, contact a qualified electrician.

### Power Supply Cord

**NOTE:** Your air conditioner's device may differ from the one shown.



A. Test button  
B. Reset button

This room air conditioner is equipped with a power supply cord required by UL. This power supply cord contains state-of-the-art electronics that sense leakage current. If the cord is crushed, the electronics detect leakage current and power will be disconnected in a fraction of a second.

## **⚠ WARNING**



### **Electrical Shock Hazard**

**Plug into a grounded 3 prong outlet.**

**Do not remove ground prong.**

**Do not use an adapter.**

**Do not use an extension cord.**

**Failure to follow these instructions can result in death, fire, or electrical shock.**

2. Press RESET (on some devices, a green light will turn on).
3. Press TEST (listen for click; Reset button will trip, and on some devices, a green light will turn off).
4. Press and release RESET (listen for click; Reset button will latch, and on some devices, a green light will turn on). The power supply cord is ready for operation.

### **NOTES:**

- The Reset button must be pushed in for proper operation.
- The power supply cord must be replaced if it fails to trip when the test button is pressed or fails to reset.
- Do not use the power supply cord as an off/on switch.
- A damaged power supply cord must be replaced with a new power supply cord obtained from the product manufacturer and must not be repaired.
- The power supply cord contains no user serviceable parts. Opening the tamper-resistant case voids all warranty and performance claims.

### **To test your power supply cord:**

1. Plug power supply cord into a grounded 3 prong outlet.

## **INSTALLATION INSTRUCTIONS**

### **Unpack the Air Conditioner**

## **⚠ WARNING**

### **Excessive Weight Hazard**

**Use two or more people to move and install air conditioner.**

**Failure to do so can result in back or other injury.**

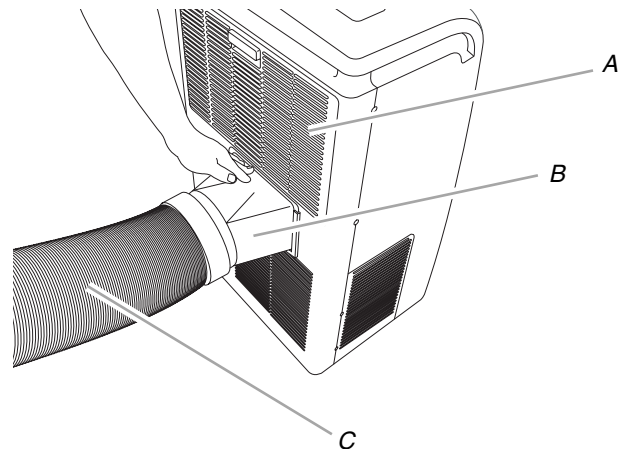
### **Remove packaging materials**

- Remove and dispose of/recycle packaging materials. Remove tape and glue residue from surfaces before turning on the air conditioner. Rub a small amount of liquid dish soap over the adhesive with your fingers. Wipe with warm water and dry.
- Do not use sharp instruments, rubbing alcohol, flammable fluids, or abrasive cleaners to remove tape or glue. These products can damage the surface of your air conditioner.

### **Install Portable Air Conditioner**

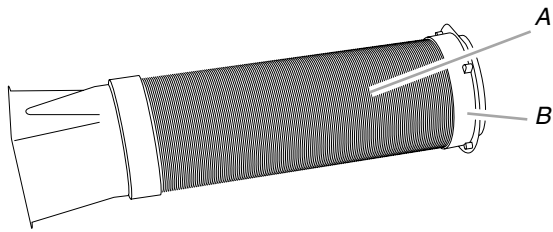
#### **Install Exhaust Hose and Adapter**

1. Roll the air conditioner to selected location. See "Location Requirements."
2. Insert the hose adapter into the slot on the back of the air conditioner.
3. Slide down to lock the hose into place.



*A. Evaporator air intake  
B. Hose adapter  
C. Flexible exhaust hose*

- Attach the window exhaust adapter to the flexible exhaust hose. Turn clockwise until securely locked into place.

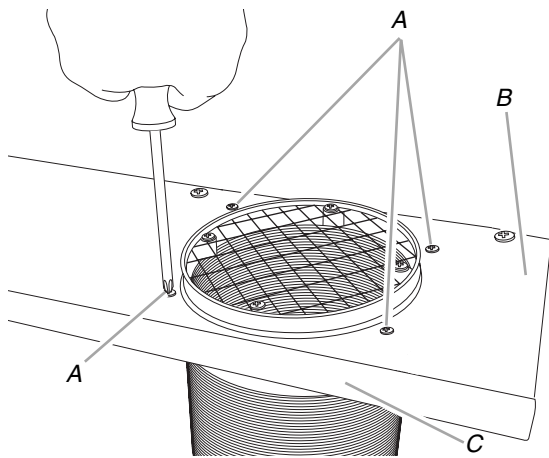


A. Flexible exhaust hose  
B. Window exhaust adapter

## Window Installation

Your window slider kit has been designed to fit most standard vertical and horizontal window applications. However, it may be necessary for you to modify some aspects of the installation procedures for certain types of windows.

- Insert the window exhaust adapter into the window slider kit.
- Using 4 screws (provided), attach the window exhaust adapter to the window slider kit.



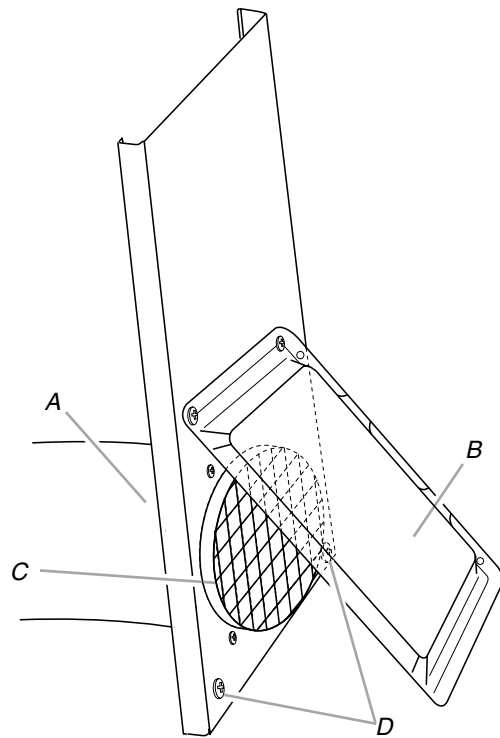
A. Screw locations  
B. Window slider kit  
C. Window exhaust adapter

- Using the 2 bolts, washers and nuts (provided), attach the rain cover to the window slider kit for either the vertical or horizontal installation.

### NOTES:

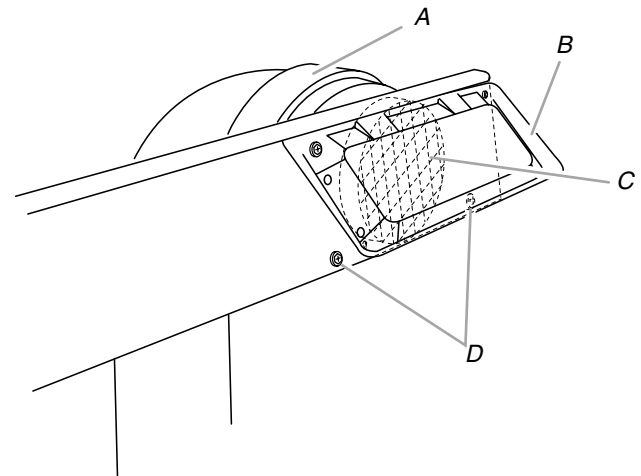
- The holes in the window slider kit are positioned for attaching the rain cover for vertical installation or horizontal installation.
- Insert the other 2 bolts, washers and nuts (provided) into the unused holes in the window slider kit to keep moisture from leaking through the window slider kit.

## Rain Cover—Vertical Installation



A. Window exhaust adapter  
B. Rain cover  
C. Outlet grille  
D. Bolts inserted into unused holes in window slider kit

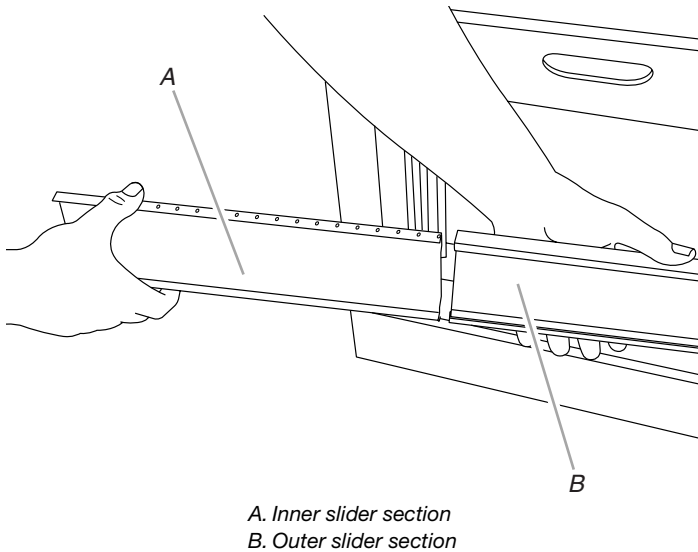
## Rain Cover—Horizontal Installation



A. Window exhaust adapter  
B. Rain cover  
C. Outlet grille  
D. Bolts inserted into unused holes in window slider kit

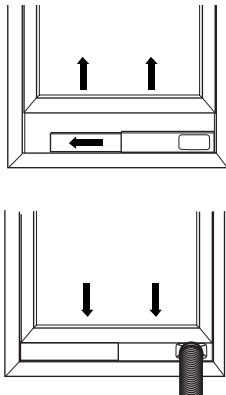
- Open the window.
- Measure the window opening.

- If the window opening is too narrow for the window slider kit, remove the inner slider section from the window slider kit.

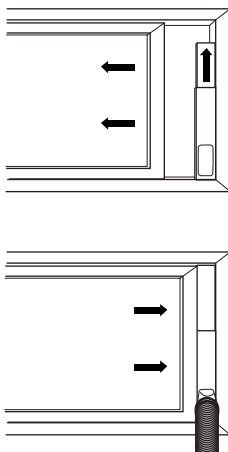


- Using a saw, cut the inner slider section to fit the window opening.
- Slide the inner slider section into the outer slider section of the window slider kit.

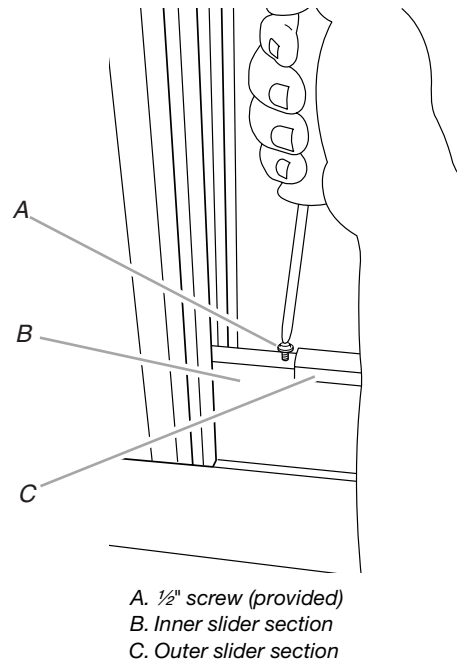
6. Place the window slider kit into the window, extending it to fit the width of the window. Be sure the rain cover is on the outside of the window.



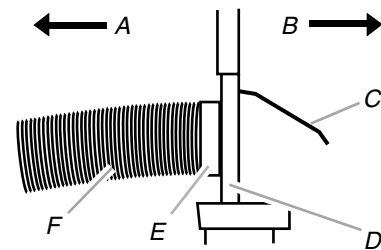
**NOTE:** For casement window installation, the window slider kit may be installed vertically with the window slider kit opening at the bottom.



7. Insert 1/2" screw (provided) into the hole in the inner slider section that is closest to the end of the outer slider section of the window slider kit.



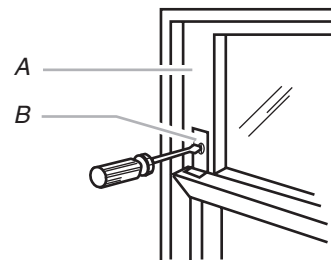
8. Close the window onto the window slider kit to secure.



- A. To portable air conditioner  
B. Outdoors  
C. Rain cover  
D. Window slider kit  
E. Window exhaust adapter  
F. Flexible exhaust hose

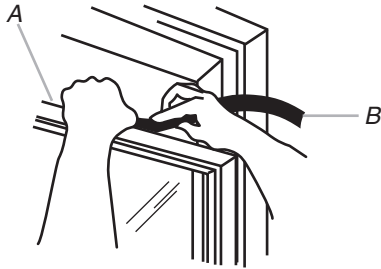
## Complete Installation

1. Place the window-lock bracket on top of the lower window and against the upper window sash.
2. Use 1/8" drill bit to drill a starter hole through the hole in the bracket.
3. Attach the window-lock bracket to the window sash with 3/4" screw to secure the window in place.



- A. Upper window sash  
B. Window-lock bracket

- Insert the foam seal behind the top of the lower window sash and against the glass of the upper window.



A. Top of lower window sash  
B. Foam seal

## ⚠ WARNING



### Electrical Shock Hazard

Plug into a grounded 3 prong outlet.

Do not remove ground prong.

Do not use an adapter.

Do not use an extension cord.

Failure to follow these instructions can result in death, fire, or electrical shock.

- Plug into a grounded 3 prong outlet.
- Press RESET on the power supply cord. See “Electrical Requirements.”

## PORTABLE AIR CONDITIONER USE

Operating your portable air conditioner properly helps you to obtain the best possible results.

This section explains proper portable air conditioner operation.

### IMPORTANT:

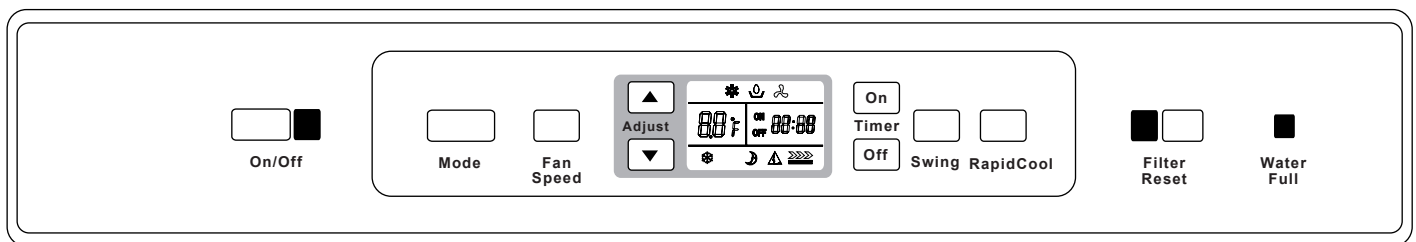
- The air conditioner display shows the current room temperature and 24-hour clock.
- When changing modes while the air conditioner is operating, the compressor will stop for 3 to 5 minutes before restarting.

If a button is pressed during this time, the compressor will not restart for another 3 to 5 minutes.

- In Cooling or Dry mode, the compressor and condenser fan will stop when the room temperature reaches the set temperature.

**NOTE:** In the event of a power failure, your air conditioner will operate at the previous settings when the power is restored.

## Starting Your Portable Air Conditioner



- Select the mode. See “Mode.”
- Select the fan speed. See “Fan Speed.”
- Set the temperature. See “Temperature.”
- Press ON/OFF to start the air conditioner.
- When the WATER FULL indicator light glows red, the air conditioner will turn off automatically. See “Portable Air Conditioner Care” for directions on draining the air conditioner.



**NOTE:** When the air conditioner is turned on for the first time after it is plugged in, it will run in the 6<sup>th</sup> Sense™ System control. When the air conditioner is turned on at all other times, it will run according to the previous settings. 6<sup>th</sup> Sense™ System control can be selected with the remote control only.



---

## Mode

---

1. Press MODE repeatedly until you see the symbol glow for the desired setting.



Mode

2. Choose Cooling, Dry, or Fan Only.

- Cooling—Cools the room. Press FAN SPEED to select Auto, High, Mid or Low. Press the up or down Adjust button to adjust the temperature.



- Dry—Dries the room. The air conditioner automatically selects the temperature. The fan runs on Low speed only.  
**NOTE:** Dry mode should not be used to cool the room.



- Fan Only—Only the fan runs. Press FAN SPEED to select High, Mid or Low.



**NOTE:** Auto fan speed cannot be selected in Fan Only mode.

---

## RapidCool™ Control

---

Used for fast cooling. The air conditioner automatically sets the fan speed to High and the temperature to 64°F (18°C).

1. Press RAPIDCOOL™ control. The air conditioner automatically sets the fan speed to High and the temperature to 64°F (18°C).



RapidCool

2. To turn off RapidCool™ control, press any button on the remote control or control panel except Timer On, Timer Off and Swing.

---

## Fan Speed

---

1. Press FAN SPEED repeatedly to choose the desired fan speed.

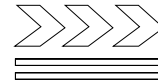


Fan Speed

2. Choose Auto, High, Mid or Low.

- Auto—automatically controls the fan speed depending on the current room temperature and temperature control setting.

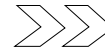
**NOTE:** Auto fan speed cannot be selected in Fan Only mode.



- High—for maximum cooling



- Mid—for normal cooling



- Low—for quieter cooling



---

## Filter Reset

---

1. When the Filter Reset indicator light is lit, remove, clean and replace the air filter. See “Cleaning the Air Filter.”
2. Press and hold FILTER RESET for 3 seconds after replacing the air filter.



Filter Reset

**NOTE:** After 360 hours of fan operating time, the Filter Reset indicator light will turn on. It will remain on for 180 hours or until you press FILTER RESET. After 180 hours, the Filter Reset indicator light will turn off automatically.

---

## Temperature

---

- Press the up Adjust button to raise the temperature. Press the up Adjust button once to increase the set temperature by 2°F (1°C), or press twice to increase the set temperature by 4°F (2°C).



- Press the down Adjust button to lower the temperature. Press the down Adjust button once to decrease the set temperature by 2°F (1°C), or press twice to decrease the set temperature by 4°F (2°C).



### NOTES:

- In the Cooling mode, the temperature can be set between 64°F and 90°F (18°C and 32°C).
- In Fan Only mode, the temperature cannot be set.

- To change the temperature display from °F to °C, press both the up and down Adjust buttons at the same time.



## Clock

1. To set or adjust the clock, press TIMER ON and TIMER OFF at the same time.
2. Press the up or down Adjust button to set the time of day. Press the Adjust button once for the time to change in 1-minute increments. Press and hold the Adjust button for several seconds for the time to change in 10-minute increments. Press and hold the Adjust button longer for the time to change in 1-hour increments.
3. Press TIMER ON and TIMER OFF at the same time again. The time of day will show on the display.

**NOTE:** Time of day will display in 24-hour format (military time) only.

## Timer Delay

### To set the Timer for a 1-minute to 24-hour delay until the air conditioner turns off (the air conditioner must be On):

1. Press TIMER OFF. "OFF: 12:00" will flash on the control panel display.



2. Press the up or down Adjust button to change the delay time from 1 minute to 24 hours. Press the Adjust button once for the time to change in 1-minute increments. Press and hold the Adjust button for several seconds for the time to change in 10-minute increments. Press and hold the Adjust button longer for the time to change in 1-hour increments.
3. Press TIMER OFF again. Timer "Off" indicator light and the set time will remain on.
4. After 5 seconds, the control panel display will show the current time.

### To set the Timer to turn on the air conditioner, keeping previous settings:

1. Turn off the air conditioner.
2. Press TIMER ON. "ON 12:00" will flash on the control panel display.



3. Press the up or down Adjust button to change the delay time from 1 minute to 24 hours. Press the Adjust button once for the time to change in 1-minute increments. Press and hold the Adjust button for several seconds for the time to change in 10-minute increments. Press and hold the Adjust button longer for the time to change in 1-hour increments.
4. Press TIMER ON again. Timer "ON" indicator light and the set time will remain on.
5. After 5 seconds, the control panel display will show the current time.

### To set the Timer to turn on the air conditioner, changing the previous settings:

1. Turn off the air conditioner.
2. Adjust mode to Cooling, Dry or Fan Only.
3. Adjust fan speed to Auto, High, Mid or Low.
 

**NOTE:** Auto fan speed cannot be selected in Fan Only mode.
4. Adjust temperature between 64°F and 90°F (18°C and 32°C).
 

**NOTE:** In Fan Only and Dry modes, the temperature cannot be adjusted.
5. Press TIMER ON. "ON 12:00" will flash on the control panel display.
6. Press the up or down Adjust button to change the delay time from 1 minute to 24 hours. Press the Adjust button once for the time to change in 1-minute increments. Press and hold the Adjust button for several seconds for the time to change in 10-minute increments. Press and hold the Adjust button longer for the time to change in 1-hour increments.
7. Press TIMER ON again. Timer "ON" indicator light and the set time will remain on.
8. After 5 seconds, the control panel display will show the current time.

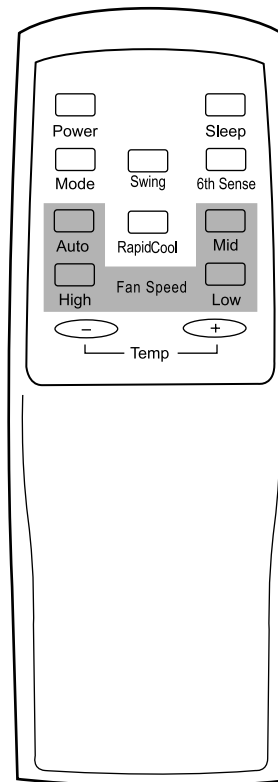
### To clear Timer delay program:

**NOTE:** Air conditioner can be either on or off.

1. Press TIMER OFF again to clear Timer Off feature. Timer indicator light will turn off.
2. Press TIMER ON again to clear Timer On feature. Timer indicator light will turn off.

## Using the Remote Control

**NOTE:** Remote control may vary in appearance.



## NOTES:

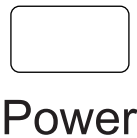
- Two AA batteries (included) power the remote control. Replace batteries after 6 months of use, or when the remote control starts to lose power.
- To operate the air conditioner with the remote control, aim the remote control at the signal receptor from no more than 23 ft (7 m) away.

---

### Power On or Off

---

Press POWER.

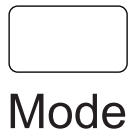


---

### Mode

---

1. Press MODE repeatedly until you see the symbol glow for the desired setting.



2. Choose Cooling, Dry or Fan Only.

- Cooling—Cools the room. Press AUTO, HIGH, MID or LOW to select the fan speed. Press the plus or minus TEMP button to adjust the temperature.



- Dry—Dries the room. The air conditioner automatically selects the temperature. The fan runs on Low speed only.  
**NOTE:** Dry mode should not be used to cool the room.



- Fan Only—Only the fan runs. Press HIGH, MID or LOW.



**NOTE:** Auto fan speed cannot be selected in Fan Only mode.

---

### 6<sup>th</sup> Sense™ System Control

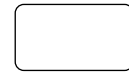
---

The air conditioner automatically selects Cooling or Dry mode, depending on room temperature and sets the temperature to 79°F (26°C).

- The temperature set point can be adjusted down to 75°F (24°C) or up to 83°F (28°C). Press the plus or minus TEMP button once to change the temperature 2°F (1°C) or twice to change it 4°F (2°C).



- If the current room temperature is lower than 73°F (23°C), Fan Only mode is selected automatically. Press HIGH, MID or LOW fan speed.  
**NOTE:** Auto fan speed cannot be selected in Fan Only mode.
  - If the current room temperature is between 73°F (23°C) and 79°F (26°C), Dry mode and Auto fan speed are selected automatically.
  - If the current room temperature is higher than 79°F (26°C), Cooling mode and Auto fan speed are selected automatically.
1. Press 6<sup>th</sup> SENSE™ system control.



### 6th Sense

2. In Fan Only mode, press HIGH, MID or LOW.

**NOTE:** Auto fan speed cannot be selected in Fan Only mode.

---

### RapidCool™ Control

---

Used for fast cooling. The air conditioner automatically sets the fan speed to High and the temperature to 64°F (18°C).

1. Press RAPIDCOOL™ control. The air conditioner automatically sets the fan speed to High and the temperature to 64°F (18°C).



### RapidCool

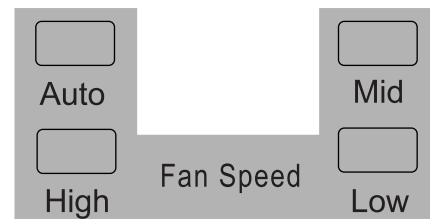
2. To turn off RapidCool™ control, press any button on the remote control or control panel except Timer On, Timer Off and Swing.

---

### Fan Speed

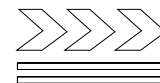
---

1. Choose desired fan speed.



2. Press AUTO, HIGH, MID or LOW.

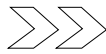
- Auto—automatically controls fan speed depending on current room temperature and temperature control setting.  
**NOTE:** Auto fan speed cannot be selected in Fan Only mode.



- High—for maximum cooling



- Mid—for normal cooling



- Low—for quieter cooling

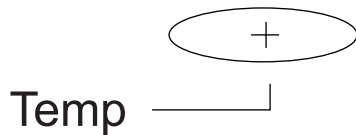



---

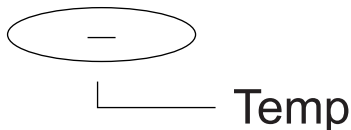
## Temperature

---

- Press the plus TEMP button to raise the temperature. Press the plus TEMP button once to increase the set temperature by 2°F (1°C), or press twice to increase the set temperature by 4°F (2°C).



- Press the minus TEMP button to lower the temperature. Press the minus TEMP button once to decrease the set temperature by 2°F (1°C), or press twice to decrease the set temperature by 4°F (2°C).



### NOTES:

- In the Cooling mode, the temperature can be set between 64°F and 90°F (18°C and 32°C).
- In Fan Only mode, Sleep control and 6<sup>th</sup> Sense™ System control, the temperature cannot be set.

---

## Sleep Control

---

The fan speed automatically sets to Low speed, and the control panel lights dim.

### NOTES:

- If the current room temperature is 79°F (26°C) or higher, the set temperature will not change when Sleep control is activated.



- If the current room temperature is below 79°F (26°C), the temperature will automatically increase 2°F (1°C) during the first hour after Sleep control is activated.
- The set temperature will not increase during the last 7 hours of Sleep control.

1. Press MODE to select Cooling or Dry.

**NOTE:** Sleep control cannot be selected when Fan Only is selected.

2. Press the plus or minus TEMP button to set the temperature.
3. Press SLEEP. After 5 seconds, the lights on the control panel display will dim.

**NOTE:** The mode, temperature and airflow direction may be adjusted during Sleep control. The fan speed is automatically set to Low speed. After 5 seconds, the lights on the control panel display will dim again.



## Sleep

4. To turn off Sleep control, press SLEEP, MODE, POWER or wait 8 hours for Sleep control to turn off automatically.

**NOTE:** The air conditioner will return to previous settings after Sleep control is turned off.

---

## Changing Air Direction

---

### On Remote Control or Control Panel

---

Press SWING once to change vertical airflow direction. Press again to stop airflow louver at desired airflow direction.



## Swing

---

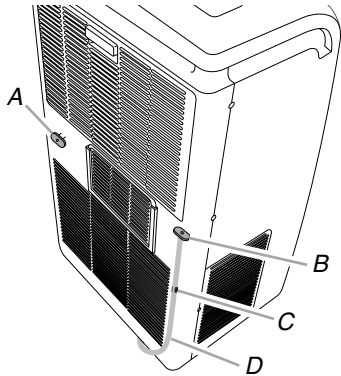
## Normal Sounds

When your air conditioner is operating normally, you may hear sounds such as:

- Air movement from the fan.
- Clicks from the thermostat cycle.
- Vibrations or noise due to poor wall or window construction.
- A high-pitched hum or pulsating noise caused by the modern high-efficiency compressor cycling on and off.

# PORTABLE AIR CONDITIONER CARE

## Draining the Air Conditioner



A. Secondary drain plug  
B. Drain hose plug

C. Drain hose clip  
D. Primary drain hose

### **! WARNING**

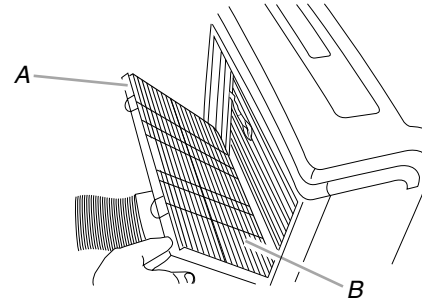
#### **Excessive Weight Hazard**

**Use two or more people to move and install air conditioner.**

**Failure to do so can result in back or other injury.**

1. Press ON/OFF to turn off the air conditioner.
2. Unplug the air conditioner or disconnect power.
3. Move the air conditioner to a drain location or outside.  
**NOTE:** To avoid spilling water from the bucket, move the air conditioner slowly and keep it level.
4. Remove the secondary drain plug and drain water completely.
5. Remove the primary drain hose from the drain hose clip.
6. Remove the drain hose plug from the end of the primary drain hose and drain water completely.  
**NOTE:** If the air conditioner will be stored after use, see "Storing After Use."
7. Reinstall the secondary drain plug.
8. Reinstall the drain hose plug to the primary drain hose.
9. Reattach the primary drain hose to the drain hose clip.
10. Reposition the air conditioner.
11. Plug in the air conditioner or reconnect power.
12. Press ON/OFF to start the air conditioner.

## Cleaning the Air Filter



A. Filter panel door  
B. Air filter

1. Press ON/OFF to turn off the air conditioner.
2. Open the filter panel door on the back of the air conditioner and remove.
3. Remove the air filter from the filter panel door.
4. Use a vacuum cleaner to clean the filter. If the filter is very dirty, wash the filter in warm water with a mild detergent.  
**NOTE:** Do not wash the filter in the dishwasher or use any chemical cleaners.
5. Air dry the filter completely before replacing to ensure maximum efficiency.
6. Reattach the air filter to the filter panel door.
7. Reinstall the filter panel door.
8. Press ON/OFF to start the air conditioner.

## Cleaning the Outside

1. Press ON/OFF to turn off the air conditioner.
2. Unplug the air conditioner or disconnect power.
3. Remove the air filter and clean separately. See "Cleaning the Air Filter."
4. Wipe the outside of the air conditioner with a soft, damp cloth.
5. Plug in the air conditioner or reconnect power.
6. Press ON/OFF to start the air conditioner.

## Storing After Use

1. Drain the water completely. See "Draining the Air Conditioner."
2. Run the air conditioner set to Fan Only for approximately 12 hours to dry the air conditioner.
3. Unplug the air conditioner.
4. Remove the flexible exhaust hose and store with the air conditioner in a clean, dry area. See "Installation Instructions."
5. Remove the window kit and store with the air conditioner in a clean, dry area. See "Installation Instructions."
6. Remove the filter and clean. See "Cleaning the Air Filter."
7. Clean the outside of the air conditioner. See "Cleaning the Outside."
8. Reinstall the filter.
9. Remove the batteries and store the remote control with the air conditioner in a clean, dry area.

# TROUBLESHOOTING

Before calling for service, try the suggestions below to see whether you can solve your problem without outside help.

## Air conditioner will not operate

### ⚠ WARNING



#### Electrical Shock Hazard

Plug into a grounded 3 prong outlet.

Do not remove ground prong.

Do not use an adapter.

Do not use an extension cord.

Failure to follow these instructions can result in death, fire, or electrical shock.

- **The power supply cord is unplugged.** Plug into a grounded 3 prong outlet. See “Electrical Requirements.”
- **Time-delay fuse or circuit breaker of the wrong capacity is being used.** Replace with a time-delay fuse or circuit breaker of the correct capacity. See “Electrical Requirements.”
- **The power supply cord has tripped (Reset button has popped out).** Press and release RESET (listen for click; Reset button will latch and remain in) to resume operation.
- **A household fuse has blown, or a circuit breaker has tripped.** Replace the fuse, or reset the circuit breaker. See “Electrical Requirements.”
- **The On/Off button has not been pressed.** Press ON/OFF.
- **The local power has failed.** Wait for power to be restored.

## Air conditioner blows fuses or trips circuit breakers

- **Too many appliances are being used on the same circuit.** Unplug or relocate appliances that share the same circuit.
- **You are trying to restart the air conditioner too soon after turning off air conditioner.** Wait at least 3 minutes after turning off air conditioner before trying to restart the air conditioner.
- **You have changed modes.** Wait at least 3 minutes after turning off air conditioner before trying to restart the air conditioner.

## Air conditioner power supply cord trips (Reset button pops out)

- **Disturbances in your electrical current can trip (Reset button will pop out) the power supply cord.** Press and release RESET (listen for click; Reset button will latch and remain in) to resume operation.

- **Electrical overloading, overheating, cord pinching or aging can trip (Reset button will pop out) the power supply cord.** After correcting the problem, press and release RESET (listen for click; Reset button will latch and remain in) to resume operation. If the power cord fails to reset, contact a service technician.

**NOTE:** A damaged power supply cord must be replaced with a new power supply cord obtained from the product manufacturer and must not be repaired.

## Air conditioner seems to run too much

- **Is there a door or window open?** Keep doors and windows closed.
- **The current air conditioner replaced an older model.** The use of more efficient components may cause the air conditioner to run longer than an older model, but the total energy consumption will be less. Newer air conditioners do not emit the “blast” of cold air you may be accustomed to from older units, but this is not an indication of lesser cooling capacity or efficiency. Refer to the efficiency rating (EER) and capacity rating (in Btu/h) marked on the air conditioner.
- **The air conditioner is in a heavily occupied room, or heat-producing appliances are in use in the room.** Use exhaust vent fans while cooking or bathing and try not to use heat-producing appliances during the hottest part of the day. Portable air conditioners are designed as supplemental cooling to local areas within a room. A higher capacity air conditioner may be required, depending on the size of the room being cooled.

## Air conditioner runs for a short time only, but room is not cool

- **Set temperature is close to room temperature.** Lower set temperature. See “Portable Air Conditioner Use.”

## Air conditioner runs, but does not cool

- **The filter is dirty or obstructed by debris.** Clean the filter.
- **Air outlet is blocked.** Clear air outlet.
- **Set temperature is too high.** Lower set temperature.

## Air conditioner cycles on and off too much

- **The air conditioner is not properly sized for your room.** Check the cooling capabilities of your portable air conditioner. Portable air conditioners are designed as supplemental cooling to local areas within a room.
- **The filter is dirty or obstructed by debris.** Clean the filter.
- **There is excessive heat or moisture (open container cooking, showers, etc.) in the room.** Use a fan to exhaust heat or moisture from the room. Try not to use heat-producing appliances during the hottest part of the day.
- **The louvers are blocked.** Install the air conditioner in a location where the louvers are free from curtains, blinds, furniture, etc.

---

# ASSISTANCE OR SERVICE

Before calling for assistance or service, please check "Troubleshooting." It may save you the cost of a service call. If you still need help, follow the instructions below.

When calling, please know the purchase date and the complete model and serial number of your appliance. This information will help us to better respond to your request.

## If you need replacement parts

If you need to order replacement parts, we recommend that you use only factory-specified replacement parts. Factory-specified replacement parts will fit right and work right because they are made with the same precision used to build every new appliance.

To locate factory-specified replacement parts in your area, call your nearest designated service center.

## Please record your model's information.

Whenever you call to request service on your appliance, you need to know your complete model number and serial number.

You can find this information on the model and serial number label. The model and serial number label is located on the cabinet.

Please record the model and serial number information below. Also, record the purchase date of your appliance and the store's name, address, and telephone number.

**Model Number** \_\_\_\_\_

**Serial Number** \_\_\_\_\_

**Purchase Date** \_\_\_\_\_

**Store Name** \_\_\_\_\_

**Store Address** \_\_\_\_\_

**Store Phone** \_\_\_\_\_

Keep this book and the sales slip together for future reference.

---

## In the U.S.A.

Call Customer Service toll free: **1-877-465-3566** or visit our website at **www.whirlpool.com**.

### Our consultants provide assistance with:

- Features and specifications on our appliances.
- Installation information.
- Use and maintenance procedures.
- Repair parts sales.
- Referrals to repair parts distributors and service companies. Designated service technicians are trained to fulfill the product warranty and provide after-warranty service, anywhere in the United States.

### For further assistance

If you need further assistance, you can write with any questions or concerns to:

Hisense USA Corp.  
Customer Service  
105 Satellite Blvd. NW, Suite A  
Suwanee, GA 30024

Please include a daytime phone number in your correspondence.

---

## In Canada

Call Customer Service toll free: **1-877-577-4105**, or visit our website at **www.whirlpool.com**.

### Our consultants provide assistance with:

- Features and specifications on our appliances.
- Use and maintenance procedures.
- Repair parts sales.
- Referrals to repair parts distributors and service companies. Designated service technicians are trained to fulfill the product warranty and provide after-warranty service, anywhere in Canada.

### For further assistance

If you need further assistance, you can write with any questions or concerns to:

Hisense USA Corp.  
c/o TransGlobal Service  
11411 170 Street  
Edmonton, AB  
T5M 3Y6  
Canada

Please include a daytime phone number in your correspondence.

# SEGURIDAD DEL ACONDICIONADOR DE AIRE

## Su seguridad y la seguridad de los demás es muy importante.

Hemos incluido muchos mensajes importantes de seguridad en este manual y en su electrodoméstico. Lea y obedezca siempre todos los mensajes de seguridad.



Este es el símbolo de advertencia de seguridad.

Este símbolo le llama la atención sobre peligros potenciales que pueden ocasionar la muerte o una lesión a usted y a los demás.

Todos los mensajes de seguridad irán a continuación del símbolo de advertencia de seguridad y de la palabra "PELIGRO" o "ADVERTENCIA". Estas palabras significan:

**⚠ PELIGRO**

Si no sigue las instrucciones de inmediato, usted puede morir o sufrir una lesión grave.

**⚠ ADVERTENCIA**

Si no sigue las instrucciones, usted puede morir o sufrir una lesión grave.

Todos los mensajes de seguridad le dirán el peligro potencial, le dirán cómo reducir las posibilidades de sufrir una lesión y lo que puede suceder si no se siguen las instrucciones.

## INSTRUCCIONES IMPORTANTES DE SEGURIDAD

**ADVERTENCIA:** Para reducir el riesgo de incendio, choque eléctrico o lesiones personales al usar su acondicionador de aire, siga estas precauciones básicas:

- Conecte a un contacto de pared de conexión a tierra de 3 terminales.
- No quite el terminal de conexión a tierra.
- No use un adaptador.
- No use un cable eléctrico de extensión.
- Desconecte el acondicionador de aire antes de darle servicio.
- Use dos o más personas para mover e instalar el acondicionador de aire.

CONSERVE ESTAS INSTRUCCIONES

# REQUISITOS DE INSTALACIÓN

## Herramientas y piezas

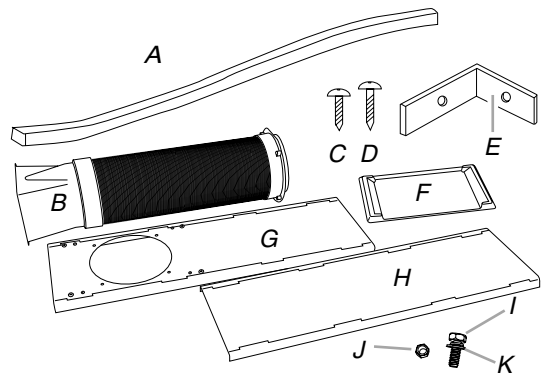
Reúna las herramientas y piezas necesarias antes de comenzar la instalación. Lea y siga las instrucciones provistas con cualquiera de las herramientas enlistadas aquí.

### Herramientas necesarias

- Destornilladores Phillips
- Sierra
- Lápiz
- Tijeras
- Cinta para medir
- Taladro inalámbrico y una broca de 1/8" o más pequeña

### Piezas suministradas

Verifique que estén todas las piezas en el paquete de piezas.



- A. Obturador de espuma
- B. Manguera de escape flexible con adaptadores sujetos
- C. Tornillos de 1/2" (4)
- D. Tornillos de 3/4" (4)
- E. Soporte de seguridad para la ventana
- F. Cubierta para la lluvia
- G. Sección deslizadora para la ventana exterior
- H. Sección deslizadora para la ventana interior
- I. Pernos (4)
- J. Tuercas (4)
- K. Arandelas (4)

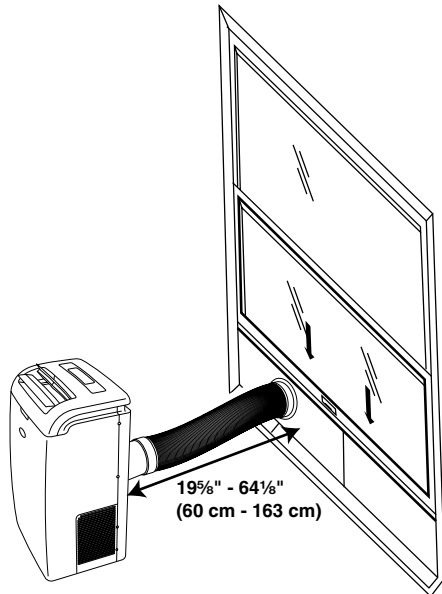


## Requisitos de ubicación

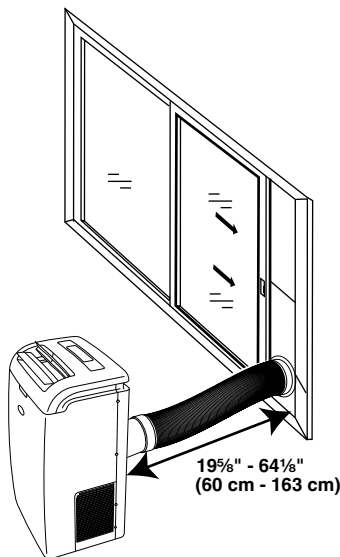
### NOTAS:

- La manguera de escape flexible permite ubicar el acondicionador de aire entre 19 $\frac{5}{8}$ " y 64 $\frac{1}{8}$ " (60 cm y 163 cm) desde la ventana o puerta.
- Los acondicionadores de aire portátiles están diseñados para proporcionar enfriamiento complementario a áreas locales dentro de una habitación.

### Ventana deslizable vertical



### Ventana deslizable horizontal



- Para asegurar la adecuada ventilación, mantenga una distancia mínima de 19 $\frac{5}{8}$ " (60 cm) desde la salida de aire de retorno a la pared u otros obstáculos.
- No bloquee la salida de aire.
- Provea un fácil acceso a un contacto de pared de conexión a tierra de 3 terminales.

## Requisitos eléctricos

### ⚠ ADVERTENCIA



#### Peligro de Choque Eléctrico

Conecte a un contacto de pared de conexión a tierra de 3 terminales.

No quite la terminal de conexión a tierra.

No use un adaptador.

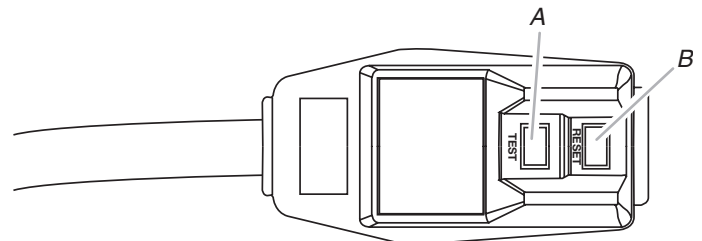
No use un cable eléctrico de extensión.

No seguir estas instrucciones puede ocasionar la muerte, incendio o choque eléctrico.

- El acondicionador de aire portátil deberá conectarse en un contacto de conexión a tierra de 3 terminales, de 115 Voltios, 60 Hz, de 15 amperios con fusibles.
- Se recomienda utilizar un fusible o un cortacircuitos retardador.
- Todas las instalaciones eléctricas deberán cumplir con los códigos eléctricos nacionales y locales y deberán ser hechas por un electricista calificado. En caso de dudas, póngase en contacto con un electricista calificado.

### Cable de suministro de energía

**NOTA:** El dispositivo de su acondicionador de aire puede ser diferente del que se ilustra.



A. Botón de prueba

B. Botón de reposición

Este acondicionador de aire para habitación está equipado con un cable de suministro de energía según lo exige UL. Este cable de suministro de energía incluye circuitos electrónicos de última generación que detectan la corriente de fuga. Si se aplasta el cable, el elemento electrónico detecta la corriente de fuga y la energía se desconectará en una fracción de segundo.

## ⚠️ ADVERTENCIA



### Peligro de Choque Eléctrico

Conecte a un contacto de pared de conexión a tierra de 3 terminales.

No quite la terminal de conexión a tierra.

No use un adaptador.

No use un cable eléctrico de extensión.

No seguir estas instrucciones puede ocasionar la muerte, incendio o choque eléctrico.

### Para poner a prueba el cable de suministro de energía:

1. Enchufe el cable de suministro de energía en un tomacorriente de 3 terminales con conexión a tierra.

2. Presione RESET (Reposición) (en algunos aparatos se encenderá una luz verde).
3. Presione TEST (Prueba) (escuche el chasquido, el botón de reposición se atraparé y en algunos aparatos se apagará una luz verde).
4. Presione y suelte RESET (escuche el chasquido, el botón de reposición queda asegurado y en algunos aparatos se encenderá una luz verde). El cable de suministro de energía está listo para su funcionamiento.

### NOTAS:

- El botón de reposición debe presionarse para el funcionamiento adecuado.
- El cable de suministro de energía debe ser reemplazado si no se dispara cuando se presione el botón de prueba o cuando falle la reposición.
- No use el cable de suministro de energía como un interruptor de encendido y apagado.
- Un cable de suministro de energía dañado debe ser reemplazado por un nuevo cable de suministro de energía obtenido del fabricante del producto y no debe ser reparado.
- El cable de suministro de energía no contiene piezas que pueda arreglar el usuario. Todos los reclamos de desempeño y la garantía quedarán anulados si se abre el estuche resistente a alteraciones.

## INSTRUCCIONES DE INSTALACIÓN

### Desempaque el acondicionador de aire

## ⚠️ ADVERTENCIA

### Peligro de Peso Excesivo

Use dos o más personas para mover e instalar el acondicionador de aire.

No seguir esta instrucción puede ocasionar una lesión en la espalda u otro tipo de lesiones.

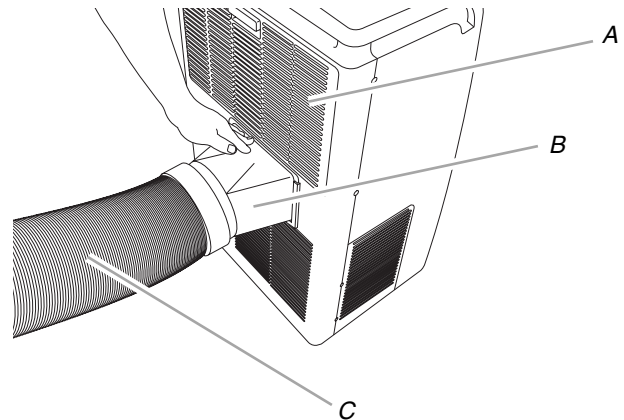
### Quite los materiales de empaque

- Quite y deshágase de todos los materiales de embalaje o recíclelos. Quite las cintas y los residuos de goma del acondicionador de aire antes de encenderlo. Frote un poco de detergente líquido para vajillas sobre el adhesivo con los dedos. Limpie con agua tibia y seque.
- No use instrumentos filosos, alcohol para fricciones, líquidos inflamables o productos de limpieza abrasivos para eliminar los restos de cinta o goma. Estos productos pueden dañar la superficie de su acondicionador de aire.

### Instalación del acondicionador de aire portátil

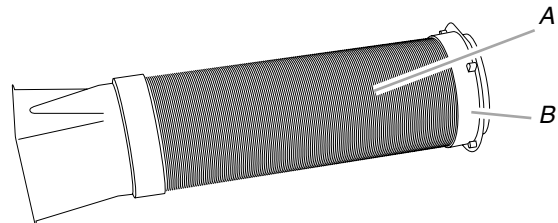
#### Instale la manguera de escape y el adaptador

1. Haga rodar el acondicionador de aire hasta la ubicación elegida. Vea "Requisitos de ubicación".
2. Inserte el adaptador de la manguera en la abertura de la parte posterior del acondicionador de aire.
3. Deslice hacia abajo para trabar la manguera en su lugar.



A. Entrada de aire para el evaporador  
B. Adaptador de la manguera  
C. Manguera de escape flexible

4. Fije el adaptador del escape de la ventana a la manguera de escape flexible. Gire hacia la derecha hasta que quede firmemente trabado en su lugar.

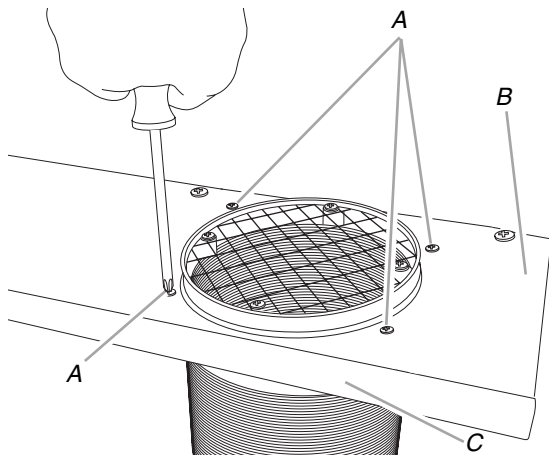


A. Manguera de escape flexible  
B. Adaptador del escape de la ventana

## Instalación para ventana

Su juego deslizable para ventana fue diseñado para encajar en casi todo tipo de ventanas verticales y horizontales estándar. Sin embargo, podría ser necesario que tenga que modificar algunos aspectos de los procedimientos de instalación para ciertos tipos de ventanas.

1. Inserte el adaptador del escape de la ventana en el juego deslizable de la ventana.
2. Fije el adaptador de salida de la ventana al juego deslizable para ventana usando 4 tornillos (provistos).



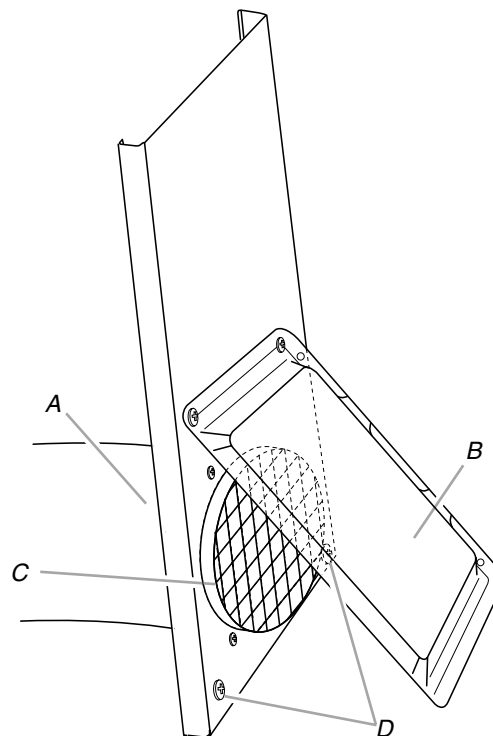
A. Ubicación de los tornillos  
B. Juego deslizable para ventana  
C. Adaptador del escape de la ventana

3. Sujete la cubierta para lluvia al juego deslizable para ventana usando los 2 pernos, arandelas y tuercas (provistos), ya sea para la instalación vertical u horizontal.

### NOTAS:

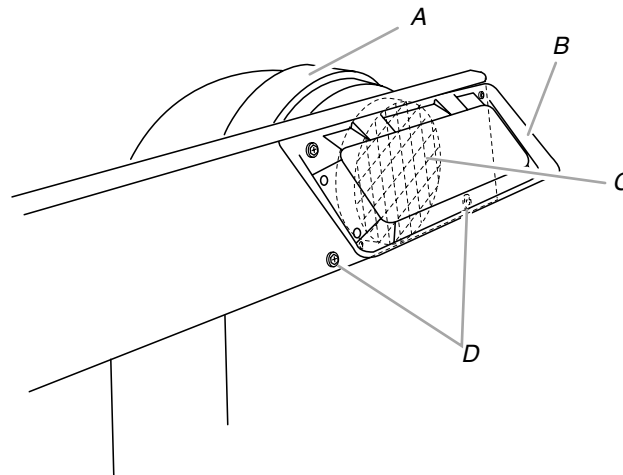
- Los orificios en el juego deslizable para ventana están ubicados de manera que sujeten la cubierta para la lluvia en la instalación vertical u horizontal.
- Inserte los otros 2 pernos, arandelas y tuercas (provistos) en los orificios no usados del juego deslizable para ventana, para evitar que se filtre humedad a través del juego deslizable para ventana.

## Cubierta para la lluvia—Instalación vertical



A. Adaptador del escape de la ventana D. Pernos insertados en los orificios no usados del juego deslizable para ventana  
B. Cubierta para la lluvia  
C. Rejilla de salida

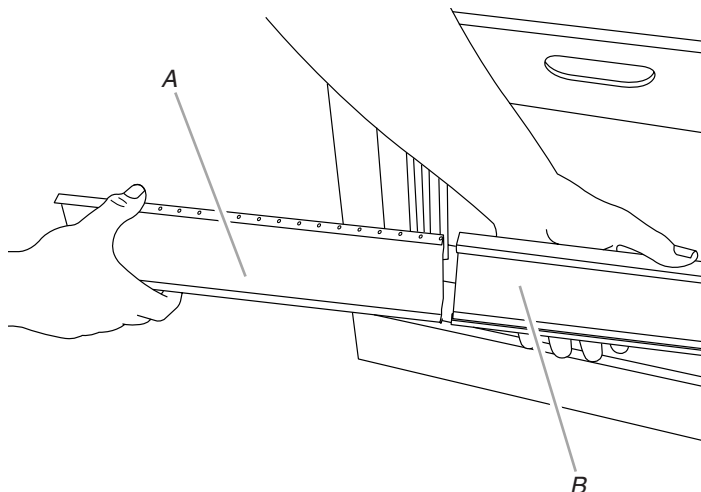
## Cubierta para la lluvia—Instalación horizontal



A. Adaptador del escape de la ventana D. Pernos insertados en los orificios no usados del juego deslizable para ventana  
B. Cubierta para la lluvia  
C. Rejilla de salida

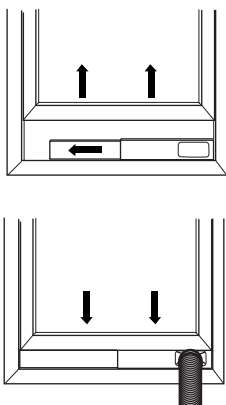
4. Abra la ventana.
5. Mida la abertura de la ventana.

- Si la abertura de la ventana es muy angosta para el juego deslizable para ventana, quite la sección deslizador interior del juego deslizable para ventana.

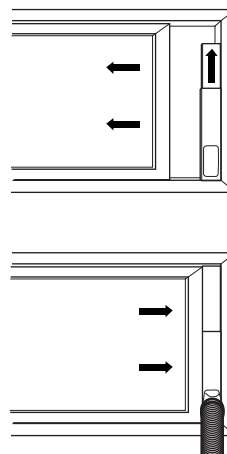


A. Sección deslizador interior  
B. Sección deslizador exterior

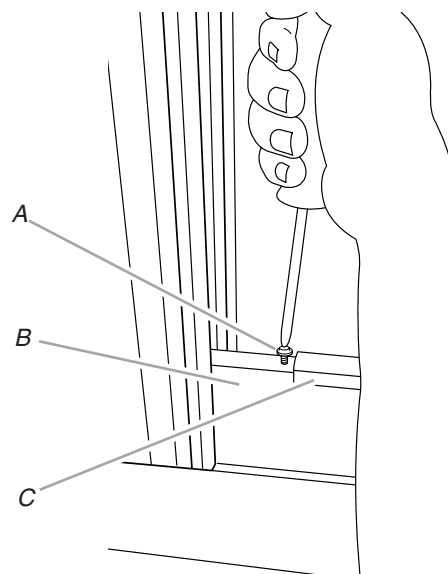
- Usando una sierra, corte la sección deslizador interior de acuerdo al tamaño de la abertura de la ventana.
  - Deslice la sección deslizador interior dentro de la sección deslizador exterior del juego deslizable para ventana.
6. Ubique el juego deslizable para ventana en la ventana, extendiéndolo de manera tal que encaje en el ancho de la misma. Asegúrese de que la cubierta contra la lluvia esté en la parte exterior de la ventana.



**NOTA:** Para la instalación en una ventana a bisagra, el juego deslizable para ventana puede ser instalado verticalmente con la abertura del juego deslizable para ventana en la parte inferior.

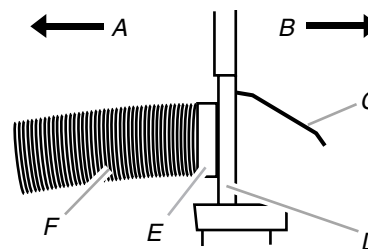


7. Coloque el tornillo de 1/2" (provisto), en el orificio en la sección deslizador interior que se encuentre más cerca del extremo de la sección deslizador exterior del juego deslizable para ventana.



A. Tornillo de 1/2" (provisto)  
B. Sección deslizador interior  
C. Sección deslizador exterior

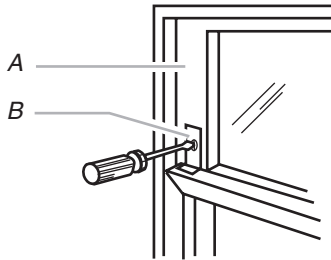
8. Cierre la ventana sobre el juego deslizable para ventana a fin de asegurarlo.



A. Al acondicionador de aire portátil  
B. Exterior  
C. Cubierta contra la lluvia  
D. Juego deslizable para ventana  
E. Adaptador del escape de la ventana  
F. Manguera de escape flexible

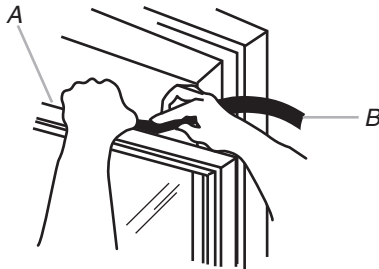
## Complete la instalación

1. Coloque el soporte de seguridad de la ventana en la parte superior de la ventana inferior y contra el marco de la ventana superior.
2. Utilice una broca de 1/8" para perforar un orificio guía a través del orificio en el soporte.
3. Fije el soporte de seguridad de la ventana al marco de la ventana con un tornillo de 3/4" para asegurar la ventana en su lugar.



A. Marco de la ventana superior  
B. Soporte de seguridad para la ventana

4. Inserte el obturador de espuma detrás de la parte superior del marco de la ventana inferior y contra el cristal de la ventana superior.



A. Parte superior del marco de la ventana inferior  
B. Obturador de espuma

## ⚠ ADVERTENCIA



### Peligro de Choque Eléctrico

Conecte a un contacto de pared de conexión a tierra de 3 terminales.

No quite la terminal de conexión a tierra.

No use un adaptador.

No use un cable eléctrico de extensión.

No seguir estas instrucciones puede ocasionar la muerte, incendio o choque eléctrico.

5. Conecte a un contacto de pared de conexión a tierra de 3 terminales.
6. Presione RESET (reposición) sobre el cable de suministro de energía. Vea "Requisitos eléctricos".

## CÓMO USAR SU ACONDICIONADOR DE AIRE PORTÁTIL

Operar debidamente su acondicionador de aire portátil le permite obtener los mejores resultados posibles.

Esta sección le explica cómo operar debidamente su acondicionador de aire portátil.

### IMPORTANTE:

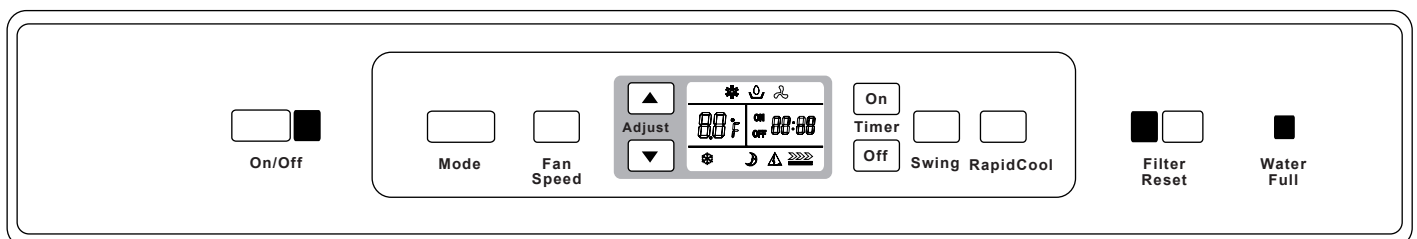
- La pantalla del acondicionador de aire muestra la temperatura actual de la habitación y un reloj de 24 horas.
- Cuando se cambien los modos mientras el acondicionador de aire esté en funcionamiento, el compresor se detendrá de 3 a 5 minutos antes de volver a comenzar.

Si se presiona un botón durante este tiempo, el compresor no volverá a comenzar hasta que hayan transcurrido otros 3 a 5 minutos.

- En el modo de Cooling (Enfriamiento) o Dry (Seco), el compresor y el ventilador del condensador se detendrán cuando la temperatura de la habitación alcance la temperatura fijada.

**NOTA:** En caso de corte de electricidad, el acondicionador de aire funcionará con los ajustes previos cuando se restablezca la energía eléctrica.

## Cómo poner en marcha su acondicionador de aire portátil



1. Seleccione el modo. Vea “Mode” (Modo).
2. Seleccione la velocidad del ventilador. Vea “Fan Speed (Velocidad del ventilador)”.
3. Fije la temperatura. Vea “Temperature (Temperatura)”.
4. Oprima ON/OFF (Encendido/Apagado) para encender el acondicionador de aire.



On/Off

**NOTA:** Cuando el acondicionador de aire se encienda por primera vez después de haberlo conectado, pondrá a funcionar el control del sistema 6<sup>th</sup> Sense™. Cuando se encienda el acondicionador de aire después de la primera vez, éste funcionará de acuerdo con los ajustes anteriores. El control del sistema 6<sup>th</sup> Sense™ se puede seleccionar sólo con el control remoto.

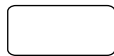
5. Cuando la luz indicadora WATER FULL (Lleno de agua) se ponga roja, el acondicionador de aire se apagará automáticamente. Vea “Cuidado del acondicionador de aire portátil” para obtener instrucciones sobre cómo desaguar el acondicionador de aire.



Water Full

## Mode (Modo)

1. Oprima MODE repetidamente hasta que se encienda el símbolo para el ajuste que usted desea.



Mode

2. Seleccione Cooling (Enfriamiento), Dry (Seco) o Fan Only (Sólo ventilador).
  - Cooling (Enfriamiento)—Enfría la habitación. Presione FAN SPEED (Velocidad del ventilador) para seleccionar Auto (Automática), High (Alta), Mid (Media) o Low (Baja). Ajuste la temperatura presionando el botón de TEMP hacia arriba o hacia abajo.



- Dry (Seco)—Seca la habitación. El acondicionador de aire selecciona la temperatura automáticamente. El ventilador funciona solamente en la velocidad Low (Baja).

**NOTA:** El modo de Dry no debe utilizarse para enfriar la habitación.



- Fan Only (Sólo ventilador)—Sólo funciona el ventilador. Oprima FAN SPEED (Velocidad del ventilador) para seleccionar High (Alta), Mid (Media) o Low (Baja).



**NOTA:** La velocidad del ventilador automática no puede seleccionarse en el modo de Fan Only (Sólo ventilador).

## Control RapidCool™

Se utiliza este modo para enfriar rápidamente. El acondicionador de aire fija automáticamente la velocidad del ventilador en High (Alta) y la temperatura en 64°F (18°C).

1. Presione el control RAPIDCOOL™. El acondicionador de aire fija automáticamente la temperatura en 64°F (18°C) y la velocidad del ventilador en High (Alta).



RapidCool

2. Para apagar el control de RapidCool™, presione cualquier botón del control remoto o del panel de control, excepto Timer On (Temporizador encendido), Timer Off (Temporizador apagado) y Swing (Cambio de la dirección de aire).

## Fan Speed (Velocidad del ventilador)

1. Presione FAN SPEED (Velocidad del ventilador) repetidamente para seleccionar la velocidad del ventilador deseada.

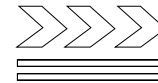


Fan Speed

2. Seleccione Auto (Automática), High (Alta), Mid (Media) o Low (Baja).

- Auto (Automática)—controla automáticamente la velocidad del ventilador dependiendo de la temperatura actual de la habitación y del ajuste de control de temperatura.

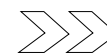
**NOTA:** La velocidad del ventilador automática no puede seleccionarse en el modo de Fan Only (Sólo ventilador).



- High (Alta)—para máximo enfriamiento



- Mid (Media)—para enfriamiento normal



- Low (Baja)—para enfriamiento más silencioso



## Filter Reset (Reposición del filtro)

1. Cuando la luz indicadora Filter Reset (Reposición del filtro) se ilumine, saque, limpie y vuelva a colocar el filtro de aire. Vea "Limpieza del filtro de aire".
2. Presione y sostenga FILTER RESET (Reposición del filtro) durante 3 segundos después de volver a colocar el filtro de aire.



### Filter Reset

**NOTA:** Después de que el ventilador funcione por 360 horas, la luz indicadora del Filter Reset (Reposición del filtro) se encenderá. Esta permanecerá encendida por 180 horas o hasta que usted presione FILTER RESET (Reposición del filtro). Después de 180 horas, la luz indicadora del Filter Reset (Reposición del filtro) se apagará automáticamente.

## Temperatura

- Presione el botón de Adjust (Ajuste) hacia arriba para aumentar la temperatura. Presione el botón Adjust (Ajuste) hacia arriba una vez para aumentar en intervalos de 2°F (1°C) la temperatura fijada, o presione dos veces para aumentar en intervalos de 4°F (2°C) la temperatura fijada.



- Presione el botón de Adjust (Ajuste) hacia abajo para bajar la temperatura. Presione el botón Adjust (Ajuste) hacia abajo una vez para disminuir en intervalos de 2°F (1°C) la temperatura fijada, o presione dos veces para disminuir en intervalos de 4°F (2°C) la temperatura fijada.



### NOTAS:

- En el modo de Cooling (Enfriamiento), la temperatura puede fijarse entre 64°F y 90°F (18°C y 32°C).
- En el modo de Fan Only (Sólo ventilador), no se puede ajustar la temperatura.
- Para cambiar la temperatura que se muestra en la pantalla de °F a °C, presione los botones de TEMP hacia arriba y hacia abajo al mismo tiempo.



### Adjust



## Reloj

1. Para fijar o ajustar el reloj, presione TIMER ON (Temporizador encendido) y TIMER OFF (Temporizador apagado) a la vez.
2. Presione el botón de Adjust (Ajuste) hacia arriba o hacia abajo para fijar la hora del día. Presione el botón de Adjust (Ajuste) una vez para cambiar la hora en incrementos de 1 minuto. Presione el botón de Adjust (Ajuste) durante varios segundos para cambiar la hora en incrementos de 10 minutos. Presione y sostenga el botón de Adjust (Ajuste) durante más tiempo para cambiar la hora en incrementos de 1 hora.
3. Presione TIMER ON (Temporizador encendido) y TIMER OFF (Temporizador apagado) nuevamente a la vez. La pantalla mostrará la hora del día.

**NOTA:** La hora del día aparecerá en la pantalla en el formato de 24 horas (hora militar) solamente.

## Retraso del temporizador

**Para programar el temporizador para un retraso de 1 minuto a 24 horas hasta que el acondicionador de aire se apague (el acondicionador de aire tiene que estar encendido):**

1. Presione TIMER OFF (Temporizador apagado). Destellará "OFF:12:00" (Apagado: 12:00) en la pantalla del panel de control.

### Timer

Off

2. Oprima el botón de Adjust (Ajuste) hacia arriba o hacia abajo para cambiar el tiempo de retraso de 1 minuto a 24 horas. Presione el botón de Adjust (Ajuste) una vez para cambiar la hora en incrementos de 1 minuto. Presione el botón de Adjust (Ajuste) durante varios segundos para cambiar la hora en incrementos de 10 minutos. Presione y sostenga el botón de Adjust (Ajuste) durante más tiempo para cambiar la hora en incrementos de 1 hora.
3. Oprima TIMER OFF (Temporizador apagado) otra vez. La luz indicadora de Timer "Off" (Temporizador apagado) y el tiempo fijado permanecerán encendidos.
4. Después de 5 segundos, la pantalla del panel de control mostrará la hora actual.

**Para programar el temporizador de manera que el acondicionador de aire se encienda manteniendo los ajustes previos:**

1. Apague el acondicionador de aire.
2. Oprima TIMER ON (Temporizador encendido). Destellará "ON 12:00" (Encendido 12:00) en la pantalla del panel de control.

On

### Timer

- Oprima el botón de Adjust (Ajuste) hacia arriba o hacia abajo para cambiar el tiempo de retraso de 1 minuto a 24 horas. Presione el botón de Adjust (Ajuste) una vez para cambiar la hora en incrementos de 1 minuto. Presione el botón de Adjust (Ajuste) durante varios segundos para cambiar la hora en incrementos de 10 minutos. Presione y sostenga el botón de Adjust (Ajuste) durante más tiempo para cambiar la hora en incrementos de 1 hora.
- Oprima TIMER ON (Temporizador encendido) nuevamente. La luz indicadora de Timer "ON" (Temporizador encendido) y el tiempo fijado permanecerán encendidos.
- Después de 5 segundos, la pantalla del panel de control mostrará la hora actual.

#### Para programar el temporizador de manera que el acondicionador de aire se encienda cambiando los ajustes previos:

- Apague el acondicionador de aire.
- Regule el modo en el ajuste Cooling (Enfriamiento), Dry (Seco) o Fan Only (Sólo ventilador).
- Ajuste la velocidad del ventilador a Auto (Automática), High (Alta), Mid (Media) o Low (Baja).  
**NOTA:** La velocidad del ventilador automática no puede seleccionarse en el modo de Fan Only (Sólo ventilador).
- Ajuste la temperatura entre 64°F y 90°F (18°C y 32°C).  
**NOTA:** En los modos Fan Only (Sólo ventilador) y Dry (Seco), no se puede ajustar la temperatura.
- Oprima TIMER ON (Temporizador encendido). Destellará "ON 12:00" (Encendido 12:00) en la pantalla del panel de control.
- Oprima el botón de Adjust (Ajuste) hacia arriba o hacia abajo para cambiar el tiempo de retraso de 1 minuto a 24 horas. Presione el botón de Adjust (Ajuste) una vez para cambiar la hora en incrementos de 1 minuto. Presione el botón de Adjust (Ajuste) durante varios segundos para cambiar la hora en incrementos de 10 minutos. Presione y sostenga el botón de Adjust (Ajuste) durante más tiempo para cambiar la hora en incrementos de 1 hora.
- Oprima TIMER ON (Temporizador encendido) nuevamente. La luz indicadora de Timer "ON" (Temporizador encendido) y el tiempo fijado permanecerán encendidos.
- Después de 5 segundos, la pantalla del panel de control mostrará la hora actual.

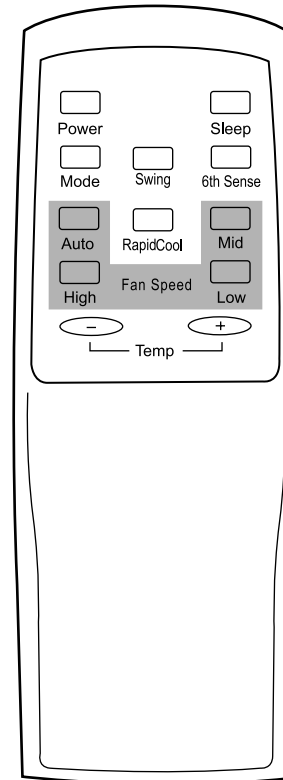
#### Para borrar la programación del tiempo de retraso del temporizador:

**NOTA:** El acondicionador de aire puede estar encendido o apagado.

- Presione TIMER OFF nuevamente para despejar la característica de Timer Off (Temporizador apagado). La luz indicadora del temporizador se apagará.
- Presione TIMER ON nuevamente para despejar la característica de Timer On (Temporizador encendido). La luz indicadora del temporizador se apagará.

## Cómo usar el control remoto

**NOTA:** La apariencia del control remoto puede variar.



#### NOTAS:

- El control remoto se alimenta con dos pilas AA (incluidas). Cambie las pilas después de 6 meses de uso o cuando el control remoto comience a perder energía.
- Para hacer funcionar el acondicionador de aire con el control remoto, dirija el control remoto hacia el receptor de señal desde una distancia no mayor a los 23 pies (7 m).

#### Encendido o apagado

Presione POWER (Encendido).



Power



## Mode (Modo)

1. Oprima MODE repetidamente hasta que se encienda el símbolo para el ajuste que usted desea.



## Mode

2. Seleccione Cooling (Enfriamiento), Dry (Seco) o Fan Only (Sólo ventilador).

- Cooling (Enfriamiento)—Enfría la habitación. Oprima AUTO (Automática), HIGH (Alta), MID (Media) o LOW (Baja) para seleccionar la velocidad del ventilador. Presione los botones de más o menos de TEMP para ajustar la temperatura.



- Dry (Seco)—Seca la habitación. El acondicionador de aire selecciona la temperatura automáticamente. El ventilador funciona solamente en la velocidad Low (Baja).

**NOTA:** El modo de Dry no debe utilizarse para enfriar la habitación.



- Fan Only (Sólo ventilador)—Sólo funciona el ventilador. Oprima High (Alta), Mid (Media) o Low (Baja).



**NOTA:** La velocidad del ventilador automática no puede seleccionarse en el modo de Fan Only (Sólo ventilador).

## Control del sistema 6<sup>th</sup> Sense™

El acondicionador de aire selecciona automáticamente el modo de Cooling (Enfriamiento) o Dry (Seco), dependiendo de la temperatura ambiente, y fija la temperatura en 79°F (26°C).

- La temperatura del punto de ajuste puede ajustarse hacia abajo a 75°F (24°C) o hacia arriba hasta 83°F (28°C). Presione una vez el botón de más o menos de TEMP para cambiar la temperatura en intervalos de 2°F (1°C) o dos veces para cambiarla en intervalos de 4°F (2°C).



- Si la temperatura ambiente actual es más baja que 73°F (23°C), se selecciona el modo de Fan Only (Sólo ventilador) automáticamente. Oprima la velocidad del ventilador HIGH (Alta), MID (Media) o LOW (Baja).  
**NOTA:** La velocidad del ventilador automática no puede seleccionarse en el modo de Fan Only (Sólo ventilador).
  - Si la temperatura actual de la habitación es entre 73°F (23°C) y 79°F (26°C), el modo Dry (Seco) y la velocidad automática del ventilador se seleccionarán automáticamente.
  - Si la temperatura ambiente actual es más alta que 79°F (26°C), se selecciona automáticamente los modos de Cooling (Enfriamiento) y velocidad del ventilador de Auto (Automática).
1. Oprima el control del sistema 6<sup>th</sup> SENSE™.



## 6th Sense

2. En el modo de Fan Only (Sólo ventilador), presione HIGH (Alta), MID (Media) o LOW (Baja).

**NOTA:** La velocidad del ventilador automática no puede seleccionarse en el modo de Fan Only (Sólo ventilador).

## Control RapidCool™

Se utiliza este modo para enfriar rápidamente. El acondicionador de aire fija automáticamente la velocidad del ventilador en High (Alta) y la temperatura en 64°F (18°C).

1. Presione el control RAPIDCOOL™. El acondicionador de aire fija automáticamente la temperatura en 64°F (18°C) y la velocidad del ventilador en High (Alta).

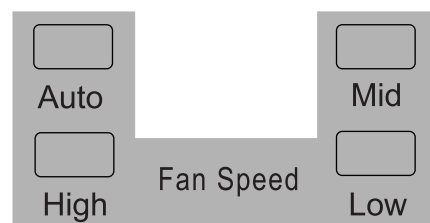


## RapidCool

2. Para apagar el control de RapidCool™, presione cualquier botón del control remoto o del panel de control, excepto Timer On (Temporizador encendido), Timer Off (Temporizador apagado) y Swing (Cambio de la dirección de aire).

## Velocidad del ventilador

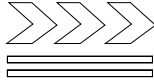
1. Seleccione la velocidad del ventilador deseada.



2. Oprima AUTO (Automática), HIGH (Alta), MID (Media) o LOW (Baja).

- Auto (Automática)—controla automáticamente la velocidad del ventilador dependiendo de la temperatura actual de la habitación y del ajuste de control de temperatura.

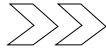
**NOTA:** La velocidad del ventilador automática no puede seleccionarse en el modo de Fan Only (Sólo ventilador).



- High (Alta)—para máximo enfriamiento



- Mid (Media)—para enfriamiento normal



- Low (Baja)—para enfriamiento más silencioso

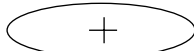


---

## Temperatura

---

- Presione el botón de más de TEMP para aumentar la temperatura. Presione el botón de más de TEMP una vez para aumentar en intervalos de 2°F (1°C) la temperatura fijada, o presione dos veces para aumentar en intervalos de 4°F (2°C) la temperatura fijada.



Temp

- Presione el botón de menos de TEMP para disminuir la temperatura. Presione el botón de menos de TEMP una vez para disminuir en intervalos de 2°F (1°C) la temperatura fijada, o presione dos veces para disminuir en intervalos de 4°F (2°C) la temperatura fijada.



Temp

### NOTAS:

- En el modo de Cooling (Enfriamiento), la temperatura puede fijarse entre 64°F y 90°F (18°C y 32°C).
- En el modo de Fan Only (Sólo ventilador), en el control de Sleep (Dormir) y el control del sistema 6<sup>th</sup> Sense™, no se puede ajustar la temperatura.

---

## Control de Sleep (Dormir)

---

La velocidad del ventilador se fija automáticamente en Low (Bajo) y las luces del panel de control se ponen tenues.

### NOTAS:

- Si la temperatura ambiente actual es de 79°F (26°C) o mayor, la temperatura de ajuste no cambiará cuando se active el control de Sleep (Dormir).



- Si la temperatura ambiente actual es menor de 79°F (26°C), la temperatura de ajuste se incrementará automáticamente en intervalos de 2°F (1°C) durante la primera hora después de que se active el control de Sleep (Dormir).
- La temperatura de ajuste no se incrementará durante las últimas 7 horas del control de Sleep (Dormir).

1. Presione MODE (Modo) para seleccionar Cooling (Enfriamiento) o Dry (Seco).

**NOTA:** El control de Sleep (Dormir) no puede seleccionarse cuando se seleccione Fan Only (Sólo ventilador).

2. Fije la temperatura presionando los botones de TEMP (Temperatura) de más o de menos.
3. Presione SLEEP (Dormir). Después de 5 segundos, las luces de la pantalla del panel de control se atenuarán.

**NOTA:** Se pueden ajustar el modo, la temperatura y la dirección del flujo de aire durante el control de Sleep (Dormir). La velocidad del ventilador se fija automáticamente en Low (Baja). Después de 5 segundos, las luces de la pantalla del panel de control se atenuarán nuevamente.



Sleep

4. Para apagar el control de Sleep (Dormir), presione SLEEP (Dormir), MODE (Modo), POWER (Encendido) o espere 8 horas para que el control de Sleep (Dormir) se apague automáticamente.

**NOTA:** El acondicionador de aire regresará a los ajustes previos después de que el control de Sleep (Dormir) se haya apagado.

---

## Cómo cambiar la dirección del aire

---

### En el control remoto o en el panel de control

---

Presione SWING (Cambio de dirección de flujo) una vez, para cambiar la dirección del flujo de aire vertical. Presione nuevamente para detener la rejilla de flujo de aire en la dirección deseada.



Swing

---

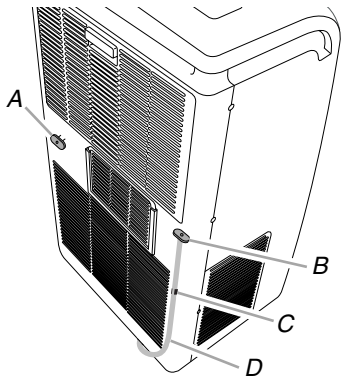
## Sonidos normales

Cuando su acondicionador de aire está funcionando cómo debe, Ud. podría escuchar sonidos tales como:

- El movimiento de aire del ventilador.
- Chasquidos del ciclo del termostato.
- Vibraciones o sonidos causados por la mala construcción de la pared o de la ventana.
- Un zumbido agudo o un ruido pulsante producido por la alternación de los ciclos de encendido y apagado del moderno compresor de alta eficiencia.

# CÓMO CUIDAR SU ACONDICIONADOR DE AIRE PORTÁTIL

## Desagüe del acondicionador de aire



- A. Tapón del desague secundario  
B. Tapón de la manguera de desague  
C. Sujetador de la manguera de desague  
D. Manguera de desague principal

## ⚠ ADVERTENCIA

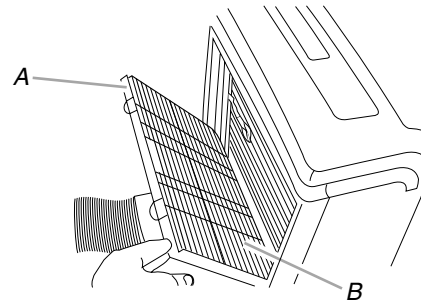
### Peligro de Peso Excesivo

Use dos o más personas para mover e instalar el acondicionador de aire.

No seguir esta instrucción puede ocasionar una lesión en la espalda u otro tipo de lesiones.

1. Oprima ON/OFF (Encendido/Apagado) para apagar el acondicionador de aire.
2. Desenchufe el acondicionador de aire o desconecte el suministro de energía.
3. Mueva el acondicionador de aire a un lugar de desague o hacia afuera.  
**NOTA:** Para evitar que se derrame agua del balde, mueva lentamente el acondicionador de aire y manténgalo nivelado.
4. Quite el tapón del desague secundario y drene el agua completamente.
5. Saque la manguera de desague principal del sujetador de la manguera de desague.
6. Quite el tapón de la manguera de desague del extremo de la manguera de desague principal y drene el agua completamente.  
**NOTA:** Si se va a guardar el acondicionador de aire después del uso, vea "Almacenamiento después del uso".
7. Vuelva a instalar el tapón del desague secundario.
8. Vuelva a instalar el tapón de la manguera de desague a la manguera de desague principal.
9. Vuelva a sujetar la manguera de desague principal al sujetador de la manguera de desague.
10. Vuelva a colocar el acondicionador de aire en su lugar.
11. Enchufe el acondicionador de aire o reconecte el suministro de energía.
12. Oprima ON/OFF (Encendido/Apagado) para encender el acondicionador de aire.

## Limpieza del filtro de aire



- A. Puerta del panel del filtro  
B. Filtro de aire

1. Oprima ON/OFF (Encendido/Apagado) para apagar el acondicionador de aire.
2. Abra la puerta del panel del filtro en la parte posterior del acondicionador de aire y sáquela.
3. Quite el filtro de aire de la puerta del panel del filtro.
4. Limpie el filtro usando una aspiradora. Si está muy sucio, lave el filtro de aire con agua tibia y un detergente suave.  
**NOTA:** No lave el filtro en la lavavajillas ni use limpiadores químicos.
5. Seque bien el filtro al aire antes de colocarlo nuevamente para asegurarse de obtener la máxima eficiencia.
6. Vuelva a colocar el filtro en la puerta del panel del filtro.
7. Vuelva a instalar la puerta del panel del filtro.
8. Oprima ON/OFF (Encendido/Apagado) para encender el acondicionador de aire.

## Limpieza del exterior

1. Oprima ON/OFF (Encendido/Apagado) para apagar el acondicionador de aire.
2. Desenchufe el acondicionador de aire o desconecte el suministro de energía.
3. Saque el filtro de aire y límpielo separadamente. Vea "Limpieza del filtro de aire".
4. Limpie el exterior del acondicionador de aire con un paño suave y húmedo.
5. Enchufe el acondicionador de aire o reconecte el suministro de energía.
6. Oprima ON/OFF (Encendido/Apagado) para encender el acondicionador de aire.

## Almacenamiento después del uso

1. Drene el agua por completo. Vea "Desagüe del acondicionador de aire".
2. Haga funcionar el acondicionador de aire en Fan Only (Sólo ventilador) durante aproximadamente 12 horas para que el acondicionador de aire se seque.
3. Desenchufe el acondicionador de aire.
4. Saque la manguera de escape flexible y guárdela junto con el acondicionador de aire en un lugar limpio y seco. Vea "Instrucciones de instalación".
5. Saque el juego de la ventana y guárdelo junto con el acondicionador de aire en un lugar limpio y seco. Vea "Instrucciones de instalación".

6. Quite el filtro y límpielo. Vea “Limpieza del filtro de aire”.
7. Limpie el exterior del acondicionador de aire. Vea “Limpieza del exterior”.

8. Vuelva a instalar el filtro.
9. Saque las baterías y guarde el control remoto junto con el acondicionador de aire en un lugar limpio y seco.

## SOLUCIÓN DE PROBLEMAS

Antes de solicitar servicio, pruebe las sugerencias que se incluyen a continuación para ver si puede resolver el problema sin ayuda.

### Su acondicionador de aire no funciona

#### ⚠ ADVERTENCIA



#### Peligro de Choque Eléctrico

Conecte a un contacto de pared de conexión a tierra de 3 terminales.

No quite la terminal de conexión a tierra.

No use un adaptador.

No use un cable eléctrico de extensión.

No seguir estas instrucciones puede ocasionar la muerte, incendio o choque eléctrico.

- **El cable de alimentación eléctrica está desconectado.** Conecte a un contacto de pared de conexión a tierra de 3 terminales. Vea “Requisitos eléctricos”.
- **Se está usando un fusible de retardo o un disyuntor con la capacidad incorrecta.** Reemplácelo con un fusible de retardo o un disyuntor con la capacidad correcta. Vea “Requisitos eléctricos”.
- **El cable de suministro de energía se trabó (el botón de reposición saltó).** Presione y suelte RESET (Reposición) (escuche el chasquido, el botón de reposición queda asegurado y se mantiene asegurado) para reanudar el funcionamiento.
- **Se ha fundido un fusible de la casa o disparado un disyuntor.** Reemplace el fusible o reposicione el disyuntor. Vea “Requisitos eléctricos”.
- **No se ha presionado el botón de On/Off (Encendido/ Apagado).** Presione ON/OFF.
- **Se ha interrumpido la energía eléctrica en su localidad.** Espere a que se restablezca la energía eléctrica.

### El acondicionador de aire funde los fusibles o dispara los disyuntores

- **Se están usando muchos aparatos en el mismo circuito.** Desconecte o ponga en otro lugar los aparatos que estén usando el mismo circuito.

- **Usted está tratando de volver a poner en marcha el acondicionador de aire muy poco tiempo después de apagarlo.** Espere por lo menos 3 minutos antes de poner en marcha el acondicionador de aire después de apagarlo.
- **Ha cambiado el modo.** Espere por lo menos 3 minutos antes de poner en marcha el acondicionador de aire después de apagarlo.

### El cable de suministro de energía del acondicionador de aire se traba (el botón de reposición salta)

- **Las interrupciones en la corriente eléctrica de su casa pueden hacer trabar (el botón de reposición saltará) el cable de suministro de energía.** Presione y suelte RESET (Reposición) (escuche el chasquido, el botón de reposición queda asegurado y se mantiene asegurado) para reanudar el funcionamiento.
- **Una sobrecarga eléctrica, el recalentamiento, los pellizcos y el envejecimiento pueden hacer que se trabe (el botón de reposición saltará) el cable de suministro de energía.** Luego de corregir el problema, presione y suelte RESET (Reposición) (escuche el chasquido, el botón de reposición queda asegurado y se mantiene asegurado) para reanudar el funcionamiento. Si el cable de suministro de energía no se reposiciona, póngase en contacto con un técnico de servicio.

**NOTA:** Un cable de suministro de energía dañado debe ser reemplazado por un nuevo cable de suministro de energía obtenido del fabricante del producto y no debe ser reparado.

### Parece que el acondicionador de aire funciona excesivamente

- **¿Está abierta una ventana o puerta?** Mantenga las puertas y ventanas cerradas.
- **Su actual acondicionador de aire reemplazó un modelo viejo.** El uso de componentes más eficientes puede hacer que el acondicionador de aire funcione por más tiempo que su antiguo modelo, pero el consumo total de energía será menor. Los acondicionadores de aire más nuevos no emiten las “ráfagas” de aire frío a las que usted estaba acostumbrado con sus unidades anteriores, pero esto no es indicio de menor capacidad o eficiencia en el enfriamiento. Verifique el régimen de eficiencia (EER—Proporción de Eficacia de Energía, por sus siglas en inglés) y el régimen de capacidad (en Btu/h) que se indican en el acondicionador de aire.
- **El acondicionador de aire se encuentra en una habitación muy congestionada o se están usando en la misma habitación aparatos que generan calor.** Use ventiladores aspiradores cuando esté cocinando o bañándose y trate de no usar aparatos que generan calor durante las horas más calurosas del día. Los acondicionadores de aire portátiles están diseñados para proporcionar enfriamiento complementario a áreas locales dentro de una habitación. Podría necesitar un acondicionador de aire con más capacidad, dependiendo del tamaño de la habitación que se desea enfriar.

---

### El acondicionador de aire funciona solamente por un corto tiempo y la habitación no está fría

---

- **Se fijó una temperatura similar a la temperatura de la habitación.** Baje la temperatura fijada. Vea "Uso del acondicionador de aire portátil".

---

### El acondicionador de aire funciona pero no enfría

---

- **El filtro está sucio u obstruido por escombros.** Limpie el filtro.
- **La salida del aire está bloqueada.** Despeje la salida del aire.
- **Se fijó la temperatura en un ajuste demasiado alto.** Baje la temperatura fijada.

---

### El acondicionador de aire alterna demasiado los ciclos de encendido y apagado

---

- **El acondicionador de aire no tiene el tamaño adecuado para su habitación.** Verifique la capacidad de enfriamiento de su acondicionador de aire portátil. Los acondicionadores de aire portátiles están diseñados para proporcionar enfriamiento complementario a áreas locales dentro de una habitación.
- **El filtro está sucio u obstruido por desechos.** Limpie el filtro.
- **Hay demasiado calor o humedad (se está cocinando en recipientes abiertos, duchas, etc.) en la habitación.** Use un ventilador para eliminar el calor o la humedad de la habitación. Trate de no usar aparatos que generan calor durante las horas más calurosas del día.
- **Las rejillas están bloqueadas.** Instale el acondicionador de aire en un lugar donde las rejillas no estén bloqueadas por cortinas, persianas, muebles, etc.

---

## AYUDA O SERVICIO TÉCNICO

Antes de solicitar ayuda o servicio técnico, por favor consulte la sección "Solución de problemas". Esto le podría ahorrar el costo de una visita de servicio técnico. Si considera que aún necesita ayuda, siga las instrucciones que aparecen a continuación.

Cuando llame, tenga a mano la fecha de compra y el número completo del modelo y de la serie de su electrodoméstico. Esta información nos ayudará a atender mejor a su pedido.

### Si necesita piezas de repuesto

Si necesita pedir piezas de repuesto, recomendamos que use únicamente piezas de repuesto especificadas de fábrica. Estas piezas encajarán bien y funcionarán bien ya que están confeccionadas con la misma precisión empleada en la fabricación de cada electrodoméstico nuevo.

Para encontrar piezas de repuesto especificadas de fábrica en su localidad, llámenos o comuníquese con el centro de servicio designado más cercano a su localidad.

### Por favor anote la información sobre su modelo.

Siempre que llame para solicitar servicio del aparato, necesitará saber el número del modelo y el número de serie completos.

Esta información la encuentra en la placa de número del modelo y número de serie. La etiqueta con el número de modelo y de serie está en la carcasa.

Por favor anote la información sobre el número del modelo y el número de serie que se incluye abajo. Anote también la fecha de compra del aparato, así como el nombre, la dirección y el teléfono de la tienda.

Número de modelo \_\_\_\_\_

Número de serie \_\_\_\_\_

Fecha de compra \_\_\_\_\_

Nombre de la tienda \_\_\_\_\_

Dirección de la tienda \_\_\_\_\_

Teléfono de la tienda \_\_\_\_\_

Guardé este manual y el comprobante de compra juntos para referencia futura.

---

### En los EE.UU.

Llame al Servicio al cliente sin costo alguno al: **1-877-465-3566** o visite nuestro sitio de internet en **www.whirlpool.com**.

### Nuestros consultores ofrecen asistencia con respecto a:

- Características y especificaciones de nuestra línea de electrodomésticos.
- Información sobre la instalación.
- Procedimiento para el uso y mantenimiento.
- Venta de piezas para reparación.
- Recomendaciones sobre compañías que dan servicio y distribuidores de partes para reparación. Los técnicos de servicio designados están entrenados para cumplir con la garantía del producto y ofrecer servicio una vez que la garantía termine, en cualquier lugar de los EE.UU.

### Para obtener más asistencia

Si necesita asistencia adicional, puede escribir con sus preguntas o dudas a:

Hisense USA Corp.  
Customer Service  
105 Satellite Blvd. NW, Suite A  
Suwanee, GA 30024

Favor de incluir un número telefónico de día en su correspondencia.

# SÉCURITÉ DU CLIMATISEUR

## Votre sécurité et celle des autres est très importante.

Nous donnons de nombreux messages de sécurité importants dans ce manuel et sur votre appareil ménager. Assurez-vous de toujours lire tous les messages de sécurité et de vous y conformer.



Voici le symbole d'alerte de sécurité.

Ce symbole d'alerte de sécurité vous signale les dangers potentiels de décès et de blessures graves à vous et à d'autres.

Tous les messages de sécurité suivront le symbole d'alerte de sécurité et le mot "DANGER" ou "AVERTISSEMENT". Ces mots signifient :

**⚠ DANGER**

Risque possible de décès ou de blessure grave si vous ne suivez pas immédiatement les instructions.

**⚠ AVERTISSEMENT**

Risque possible de décès ou de blessure grave si vous ne suivez pas les instructions.

Tous les messages de sécurité vous diront quel est le danger potentiel et vous disent comment réduire le risque de blessure et ce qui peut se produire en cas de non-respect des instructions.

## IMPORTANTES INSTRUCTIONS DE SÉCURITÉ

**AVERTISSEMENT :** Pour réduire les risques d'incendie, de choc électrique ou des blessures lors de l'utilisation du climatiseur, prendre quelques précautions fondamentales, y compris les suivantes :

- Brancher sur une prise à 3 alvéoles reliée à la terre.
- Ne pas utiliser un câble de rallonge.
- Ne pas enlever la broche de liaison à la terre.
- Débrancher le climatiseur avant l'entretien.
- Ne pas utiliser un adaptateur.
- Utiliser deux ou plus de personnes pour déplacer et installer le climatiseur.

CONSERVEZ CES INSTRUCTIONS

## EXIGENCES D'INSTALLATION

### Outils et pièces

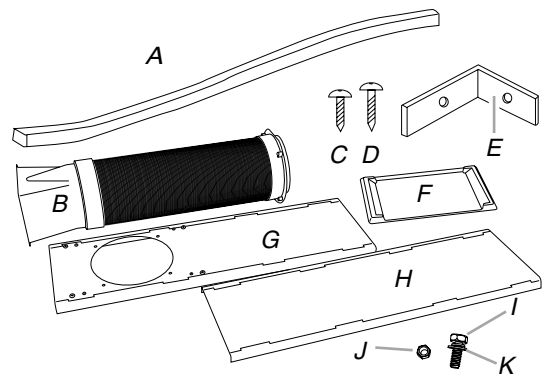
Rassembler les outils et pièces nécessaires avant de commencer l'installation. Lire et suivre les instructions fournies avec les outils indiqués ici.

#### Outils nécessaires

- Tournevis Phillips
- Ciseaux
- Scie
- Mètre-ruban
- Crayon
- Perceuse et foret de 1/8" ou plus petit

#### Pièces fournies

Vérifier que toutes les pièces sont présentes dans le sachet de pièces.



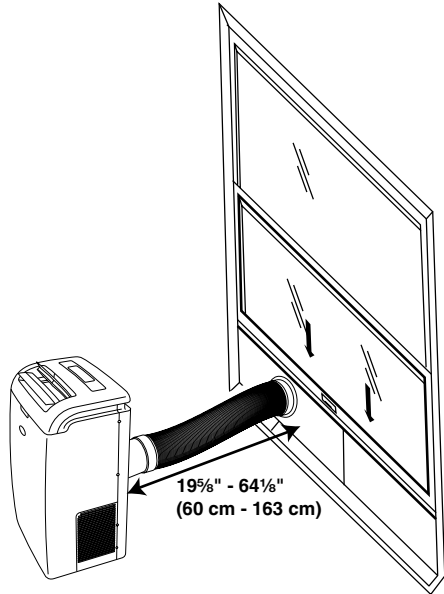
- A. Joint en mousse
- B. Tuyau d'évacuation souple avec raccords d'adaptation inclus
- C. Vis de 1/2"
- D. Vis de 3/4"
- E. Bride de blocage de la fenêtre
- F. Housse de protection contre la pluie
- G. Section coulissante extérieure de l'ensemble
- H. Section coulissante intérieure de l'ensemble
- I. Boulons (4)
- J. Écrous (4)
- K. Rondelles d'étanchéité (4)

## Exigences d'emplacement

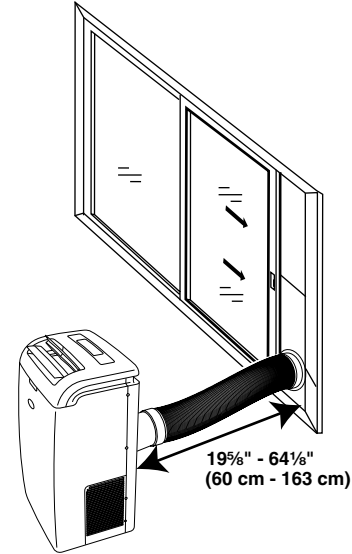
### REMARQUES :

- Le tuyau d'évacuation souple permet de placer le climatiseur entre 19 $\frac{5}{8}$ " et 64 $\frac{1}{8}$ " (60 cm et 163 cm) à partir de la porte ou de la fenêtre.
- Les climatiseurs portatifs sont conçus comme un dispositif supplémentaire de refroidissement de zones locales dans une même pièce.

### Fenêtre à coulissement vertical



### Fenêtre à coulissement horizontal



- Pour obtenir une aération appropriée, maintenir la distance exigée de la prise de retour d'air au mur ou autres obstacles à 19 $\frac{5}{8}$ " (60 cm) minimum.
- Ne pas bloquer la prise de sortie d'air.
- Permettre un accès facile à une prise à 3 alvéoles reliée à la terre.

## Spécifications électriques

### ⚠ AVERTISSEMENT



#### Risque de choc électrique

**Brancher sur une prise à 3 alvéoles reliée à la terre.**

**Ne pas enlever la broche de liaison à la terre.**

**Ne pas utiliser un adaptateur.**

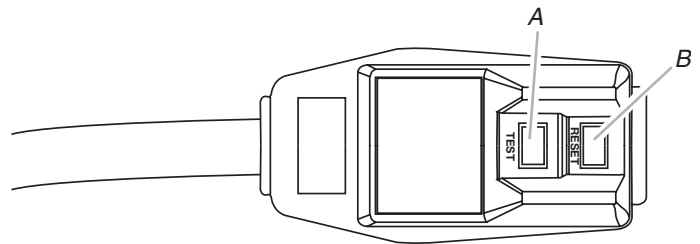
**Ne pas utiliser un câble de rallonge.**

**Le non-respect de ces instructions peut causer un décès, un incendie ou un choc électrique.**

- Le climatiseur portatif doit être raccordé à une prise à 3 alvéoles de 115 V, 60 Hz, 15 ampères, protégée par fusible et reliée à la terre.
- On recommande l'emploi d'un disjoncteur ou fusible temporisé.
- Le câblage électrique doit respecter le code local et le code national de l'électricité et être installé par un électricien qualifié. Contacter un électricien qualifié en cas de questions.

### Cordon d'alimentation

**REMARQUE :** Votre climatiseur peut différer de celui qui est illustré.



A. Bouton Test

B. Bouton Reset (réinitialisation)

Ce climatiseur de pièce est équipé d'un cordon d'alimentation conforme aux exigences de UL. Ce cordon d'alimentation comporte des circuits électroniques d'avant-garde détectant les courants de fuite. En cas d'écrasement du cordon d'alimentation, les circuits électroniques détectent les courants de fuite et l'alimentation est interrompue en une fraction de seconde.

## **⚠ AVERTISSEMENT**



### Risque de choc électrique

**Brancher sur une prise à 3 alvéoles reliée à la terre.**

**Ne pas enlever la broche de liaison à la terre.**

**Ne pas utiliser un adaptateur.**

**Ne pas utiliser un câble de rallonge.**

**Le non-respect de ces instructions peut causer un décès, un incendie ou un choc électrique.**

### Pour tester le cordon d'alimentation :

1. Brancher le cordon d'alimentation dans une prise à 3 alvéoles reliée à la terre.

2. Appuyer sur RESET (réinitialisation) (sur certains appareils, un témoin lumineux vert s'illumine).
3. Appuyer sur TEST (un déclic se fait entendre, le bouton Reset se déclenche et sur certains appareils, un témoin lumineux vert s'éteint).
4. Appuyer sur le bouton RESET et le relâcher (un déclic se fait entendre, le bouton Reset s'enclenche et sur certains appareils, un témoin lumineux vert s'illumine). Le cordon d'alimentation est prêt à être utilisé.

### REMARQUES :

- Le bouton de réinitialisation doit être enfoncé pour un fonctionnement correct.
- Le cordon d'alimentation doit être remplacé en cas d'absence de déclenchement lorsque le bouton de test est enfoncé ou en cas d'échec de la réinitialisation.
- Ne pas utiliser le cordon d'alimentation comme interrupteur marche/arrêt.
- Un cordon d'alimentation endommagé doit être remplacé par un cordon neuf acheté auprès du fabricant et ne doit pas être réparé.
- Le cordon d'alimentation ne contient pas de pièces réparables par le client. L'ouverture du casier inviolable annule toute garantie et empêche toute réclamation relative à la performance.

## INSTRUCTIONS D'INSTALLATION

### Déballage du climatiseur

## **⚠ AVERTISSEMENT**

### Risque du poids excessif

**Utiliser deux ou plus de personnes pour déplacer et installer le climatiseur.**

**Le non-respect de cette instruction peut causer une blessure au dos ou d'autre blessure.**

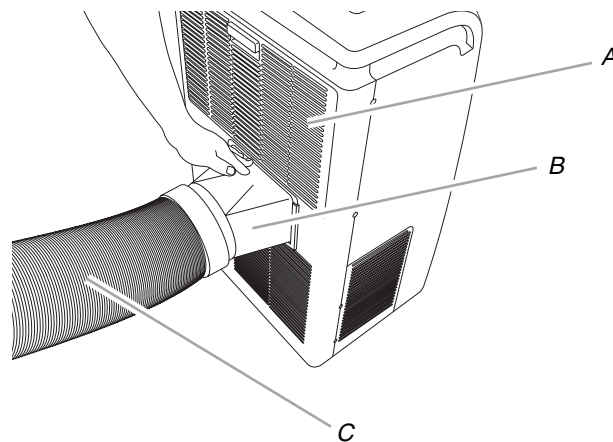
### Enlèvement des matériaux d'emballage

- Enlever et jeter/recycler de façon appropriée les matériaux d'emballage. Enlever tout résidu de ruban adhésif et de colle des surfaces avant de mettre le climatiseur en marche. Frotter une petite quantité de savon liquide à vaisselle sur l'adhésif avec les doigts. Rincer à l'eau tiède et sécher.
- Ne pas utiliser d'instruments coupants, d'alcool à friction, de liquides inflammables ou de nettoyants abrasifs pour enlever le ruban adhésif ou la colle. Ces produits peuvent endommager la surface de votre climatiseur.

### Installation d'un climatiseur portatif

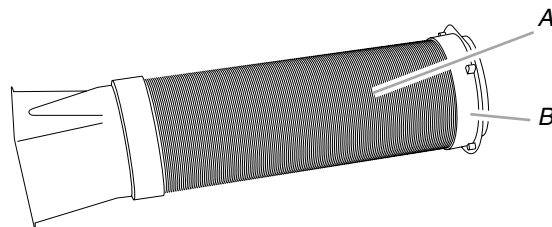
#### Installer le tuyau d'évacuation et l'adaptateur

1. Faire rouler l'appareil jusqu'à l'emplacement choisi. Voir "Exigences d'emplacement".
2. Insérer le tuyau d'évacuation souple dans l'ouverture située à l'arrière de l'appareil.
3. Tourner dans le sens horaire pour mettre le tuyau en place.



A. Arrivée d'air de l'évaporateur  
B. Adaptateur pour évacuation par la fenêtre  
C. Tuyau d'évacuation souple

4. Fixer l'adaptateur d'évacuation par la fenêtre au tuyau d'évacuation souple. Tourner dans le sens horaire jusqu'à ce qu'il soit maintenu fermement en place.



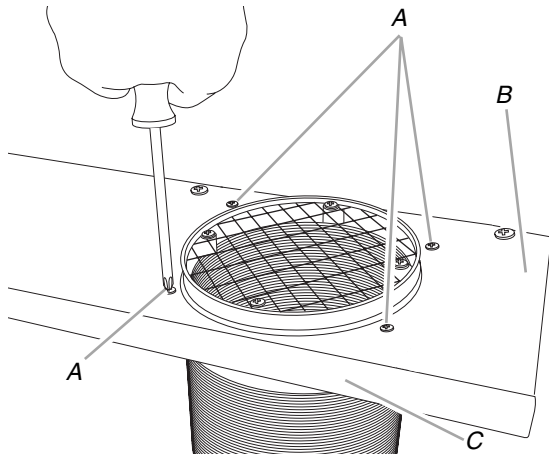
A. Tuyau d'évacuation souple  
B. Adaptateur d'évacuation par la fenêtre



## Installation pour fenêtre

Cet ensemble coulissant pour fenêtre a été conçu pour s'adapter à la plupart des fenêtres verticales et horizontales de type standard. Cependant, il peut être nécessaire de modifier certains aspects de la procédure d'installation selon le type de fenêtres utilisées.

1. Insérer l'adaptateur pour évacuation par la fenêtre dans l'ensemble coulissant pour fenêtre.
2. À l'aide des 4 vis (fournies), fixer l'adaptateur pour évacuation par la fenêtre à l'ensemble coulissant pour fenêtre.



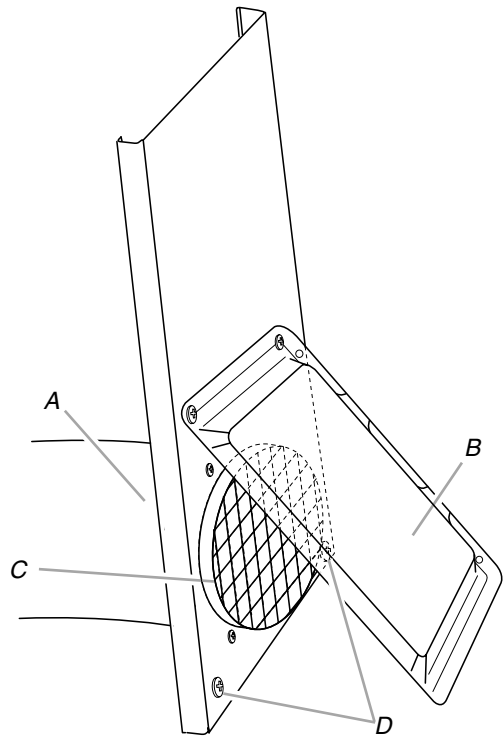
A. Emplacement des vis  
B. Ensemble coulissant pour fenêtre  
C. Adaptateur pour évacuation par la fenêtre

3. À l'aide des 2 boulons, rondelles d'étanchéité et écrous (fournis), fixer la housse de protection contre la pluie de l'ensemble coulissant pour fenêtre pour une installation soit verticale, soit horizontale.

### REMARQUES :

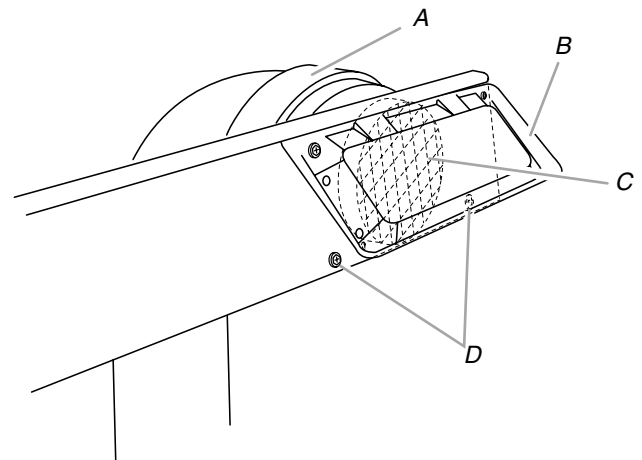
- Les trous de l'ensemble coulissant pour fenêtre sont placés de manière à pouvoir fixer la housse de protection contre la pluie soit pour une installation verticale, soit pour une installation horizontale.
- Insérer les 2 autres boulons, rondelles d'étanchéité et écrous (fournis) dans les trous inutilisés de l'ensemble coulissant pour fenêtre pour empêcher l'humidité de pénétrer par l'ensemble coulissant pour fenêtre.

## Housse de protection contre la pluie— Installation verticale



A. Adaptateur pour évacuation par la fenêtre  
B. Housse de protection contre la pluie  
C. Grille de la prise  
D. Écrous insérés dans les trous inutilisés de l'ensemble coulissant pour fenêtre

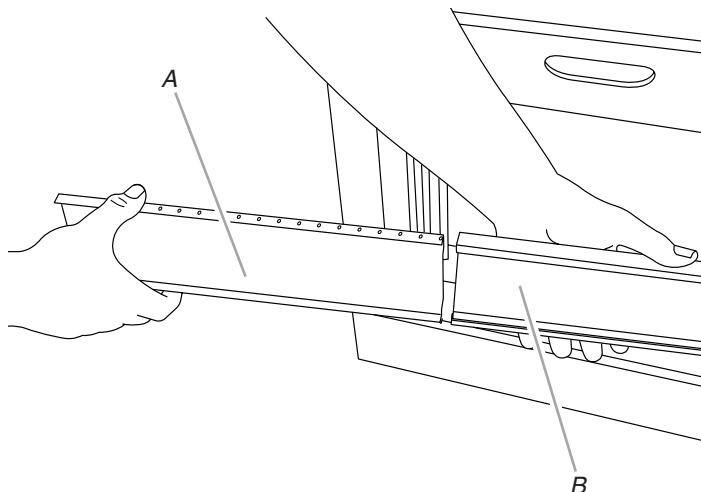
## Housse de protection contre la pluie— Installation horizontale



A. Adaptateur pour évacuation par la fenêtre  
B. Housse de protection contre la pluie  
C. Grille de la prise  
D. Écrous insérés dans les trous inutilisés de l'ensemble coulissant pour fenêtre

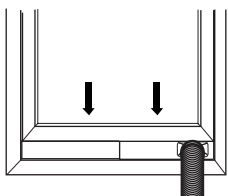
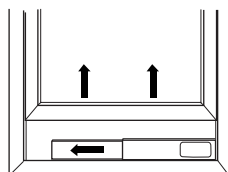
4. Ouvrir la fenêtre.
5. Mesurer l'ouverture de la fenêtre.

- Si l'ouverture de la fenêtre est trop étroite pour l'ensemble coulissant pour fenêtre, retirer la section coulissante intérieure de l'ensemble.

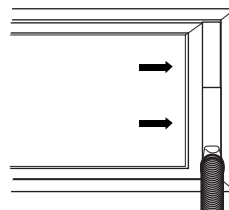
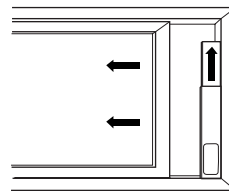


A. Section coulissante intérieure  
B. Section coulissante extérieure

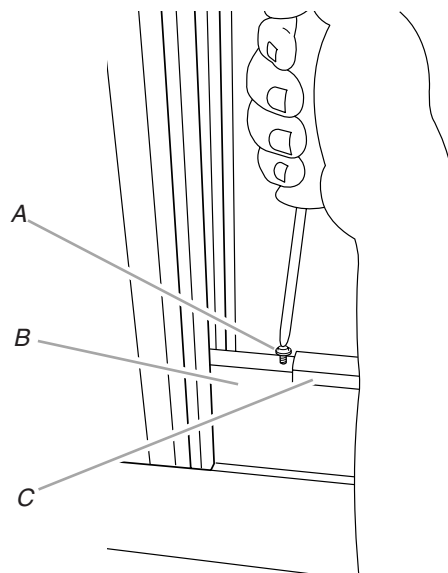
- À l'aide d'une scie, couper la section coulissante intérieure pour faire glisser l'ensemble dans l'ouverture de la fenêtre.
  - Faire glisser la section coulissante intérieure dans la section extérieure de l'ensemble coulissant pour fenêtre.
6. Placer l'ensemble coulissant pour fenêtre dans la fenêtre, en l'étirant pour l'adapter à la largeur de la fenêtre. Vérifier que la housse se trouve à l'extérieur de la fenêtre.



**REMARQUE :** Pour une installation dans une fenêtre à battants, l'ensemble coulissant pour fenêtre peut être installé verticalement avec l'ouverture dans la partie inférieure.

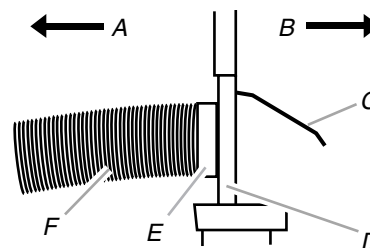


7. Insérer une vis de 1/2" (fournie) dans le trou de la section coulissante intérieure la plus proche de l'extrémité de la section coulissante extérieure de l'ensemble pour fenêtre.



A. Vis de 1/2" (fournie)  
B. Section coulissante intérieure  
C. Section coulissante extérieure

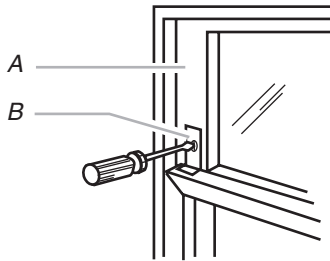
8. Fermer la fenêtre sur l'ensemble coulissant pour le maintenir en place.



A. Au climatiseur portatif  
B. Extérieur  
C. Housse contre la pluie  
D. Ensemble coulissant pour fenêtre  
E. Adaptateur pour évacuation par la fenêtre  
F. Tuyau d'évacuation souple

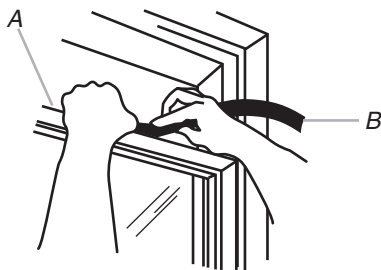
## Pour compléter l'installation

1. Placer la bride de blocage en haut du châssis inférieur, et contre le châssis supérieur de la fenêtre.
2. Aux emplacements marqués, percer des avant-trous dans le trou de la bride avec un foret de 1/8".
3. Fixer la bride de blocage en insérant des vis à 3/4" et à fente dans la bride de blocage et dans le châssis supérieur de la fenêtre.



A. Châssis supérieur de la fenêtre  
B. Bride de blocage de la fenêtre

4. Insérer le joint en mousse derrière la partie supérieure du châssis inférieur de la fenêtre et contre la vitre de la fenêtre supérieure.



A. Dessus du châssis inférieur de la fenêtre  
B. Joint en mousse

## ⚠ AVERTISSEMENT



### Risque de choc électrique

Brancher sur une prise à 3 alvéoles reliée à la terre.

Ne pas enlever la broche de liaison à la terre.

Ne pas utiliser un adaptateur.

Ne pas utiliser un câble de rallonge.

Le non-respect de ces instructions peut causer un décès, un incendie ou un choc électrique.

5. Brancher sur une prise à 3 alvéoles reliée à la terre.
6. Appuyer sur RESET (réinitialisation) sur le cordon d'alimentation. Voir "Spécifications électriques".

## UTILISATION DU CLIMATISEUR PORTATIF

Une bonne utilisation de votre climatiseur vous aidera à obtenir les meilleurs résultats possibles.

Cette section explique le fonctionnement correct du climatiseur.

### IMPORTANT :

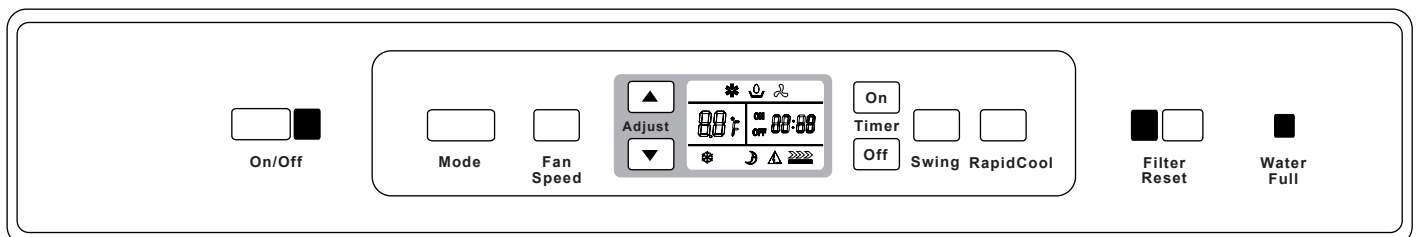
- L'afficheur du climatiseur indique la température ambiante et une horloge de 24 heures.
- En cas de modification des modes au cours du fonctionnement du climatiseur, le compresseur s'arrête pendant 3 à 5 minutes avant de redémarrer.

Si on appuie sur un bouton au cours de cette période, le compresseur ne redémarrera pas avant 3 à 5 minutes.

- Au mode Cooling (refroidissement) ou Dry (séchage), le compresseur et le ventilateur de condenseur s'arrêteront lorsque la température ambiante aura atteint la température réglée.

**REMARQUE :** En cas de panne de courant, votre climatiseur fonctionnera aux réglages précédents lorsque le courant sera restauré.

## Mise en marche du climatiseur portatif



1. Sélectionner le mode. Voir "Mode".
2. Sélectionner la vitesse du ventilateur. Voir "Fan Speed (vitesse du ventilateur)".
3. Sélectionner la température. Voir "Température".
4. Appuyer sur ON/OFF (marche/arrêt) pour mettre le climatiseur en marche.



On/Off

**REMARQUE :** Lorsqu'on met le climatiseur en marche pour la première fois après l'avoir branché, il fonctionnera au système de commande 6<sup>th</sup> Sense™, lorsqu'on le met en marche à tout autre moment, il fonctionnera selon les réglages précédents. La commande du système 6<sup>th</sup> Sense™ ne peut être sélectionnée qu'avec la télécommande uniquement.

5. Lorsque le témoin lumineux WATER FULL (plein d'eau) s'allume en rouge, le climatiseur s'éteint automatiquement. Voir "Entretien du climatiseur portable" pour des instructions sur la vidange du climatiseur.



Water Full

## Mode

1. Appuyer plusieurs fois sur MODE jusqu'à l'apparition du témoin lumineux correspondant à la fonction désirée.



Mode

2. Choisir Cooling (refroidissement), Dry (séchage) ou Fan Only (ventilateur seulement).
  - Cooling (refroidissement)—Refroidit la pièce. Appuyer sur FAN SPEED pour sélectionner Auto (automatique), High (élevée, Mid (moyenne) ou Low (basse). Appuyer sur le bouton Adjust vers le haut et vers le bas pour régler la température.



- Dry (séchage)—Sèche la pièce. La température est sélectionnée automatiquement par le climatiseur. Le ventilateur fonctionne à la vitesse Low (basse) seulement.
- REMARQUE :** Le mode de séchage ne doit pas être utilisé pour refroidir la pièce.



- Fan Only (ventilateur seulement)—Seul le ventilateur fonctionne. Appuyer sur le bouton FAN SPEED (vitesse du ventilateur) pour sélectionner High (élevée), Mid (moyenne) ou Low (basse).



**REMARQUE :** La vitesse automatique du ventilateur ne peut pas être sélectionnée au mode Fan Only.

## Commande RapidCool™

Utilisée pour un refroidissement rapide. Le climatiseur règle automatiquement la vitesse du ventilateur à High et la température à 64°F (18°C).

1. Appuyer sur la commande RAPIDCOOL™. Le climatiseur règle automatiquement la température à 64°F (18°C) et la vitesse du ventilateur à High.



RapidCool

2. Pour désactiver la commande RapidCool™, appuyer sur n'importe quel bouton de la télécommande ou du tableau de commande excepté Timer On (minuterie activée), Timer Off (minuterie désactivée) et Swing (changement de direction du mouvement de l'air).

## Fan Speed (vitesse du ventilateur)

1. Appuyer plusieurs fois sur FAN SPEED (vitesse du ventilateur) pour sélectionner la vitesse souhaitée du ventilateur.



Fan Speed

2. Choisir Auto (automatique), High (élevée), Mid (moyenne) ou Low (basse).
  - Auto—contrôle automatiquement la vitesse de ventilation en fonction de la température ambiante et du réglage de la commande de température.

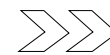
**REMARQUE :** La vitesse automatique du ventilateur ne peut pas être sélectionnée au mode Fan Only (ventilateur seulement).



- High—refroidissement maximum



- Mid—refroidissement normal



- Low—refroidissement modéré



## Filter Reset (réinitialisation du filtre)

1. Lorsque le témoin lumineux du Filter Reset (réinitialisation du filtre) est allumé, enlever, nettoyer et remettre en place le filtre à air. Voir "Nettoyage du filtre à air".
2. Appuyer sur FILTER RESET (réinitialisation du filtre) pendant trois secondes après avoir remis en place le filtre à air.



Filter  
Reset

**REMARQUE :** Après 360 heures de fonctionnement du ventilateur, le témoin lumineux du Filter Reset (réinitialisation du filtre) s'allume et reste allumé pendant 180 heures ou jusqu'à ce que l'on appuie sur FILTER RESET (réinitialisation du filtre). Après 180 heures, il s'éteint automatiquement.

## Température

- Appuyer sur le bouton Adjust vers le haut pour augmenter la température. Appuyer une fois sur le bouton Adjust vers le haut pour augmenter la température réglée de 2°F (1°C), ou appuyer deux fois pour augmenter la température réglée de 4°F (2°C).



- Appuyer sur le bouton Adjust vers le bas pour réduire la température. Appuyer une fois sur le bouton Adjust vers le bas pour réduire la température réglée de 2°F (1°C), ou appuyer deux fois pour réduire la température réglée de 4°F (2°C).



### REMARQUES :

- Au mode de refroidissement, la température peut être réglée entre 64°F et 90°F (18°C et 32°C).
- Au mode Fan Only (ventilation seulement), la température ne peut pas être réglée.
- Pour permuter l'affichage de température de °F à °C, appuyer sur les deux boutons Adjust vers le haut et vers le bas en même temps.



Adjust



## Horloge

1. Pour régler ou ajuster l'horloge, appuyer sur TIMER ON (minuterie activée) et TIMER OFF (minuterie désactivée) en même temps.
2. Appuyer sur le bouton Adjust (ajustement) vers le haut ou vers le bas pour régler l'heure. Appuyer une seule fois sur le bouton Adjust (ajustement) pour changer l'heure par tranches de 1 minute. Appuyer sur le bouton Adjust (ajustement) pendant plusieurs secondes pour changer l'heure par tranches de 10 minutes. Garder le bouton Adjust (ajustement) appuyé plus longtemps pour changer l'heure par tranches de 1 heure.

3. Appuyer de nouveau sur TIMER ON (minuterie activée) et TIMER OFF (minuterie désactivée) en même temps. L'affichage de l'heure apparaît.

**REMARQUE :** L'heure est affichée uniquement au format de 24 heures (heure militaire).

## Minuterie différée

### Pour régler la minuterie pour un délai de 1 minute à 24 heures jusqu'à ce que le climatiseur s'arrête (le climatiseur doit être en marche) :

1. Appuyer sur le bouton TIMER OFF. "OFF:12:00" clignote sur l'affichage du tableau de commande.

### Timer



2. Appuyer sur le bouton Adjust vers le haut ou vers le bas pour changer la durée de délai de 1 minute à 24 heures. Appuyer une seule fois sur le bouton Adjust (ajustement) pour changer l'heure par tranches de 1 minute. Appuyer sur le bouton Adjust (ajustement) pendant plusieurs secondes pour changer l'heure par tranches de 10 minutes. Garder le bouton Adjust (ajustement) appuyé plus longtemps pour changer l'heure par tranches de 1 heure.
3. Appuyer à nouveau sur TIMER OFF. L'indicateur lumineux "Off" de la minuterie et la durée réglée resteront allumés.
4. Au bout de 5 secondes, l'affichage du tableau de commande indique l'heure actuelle.

### Pour régler la mise en marche du climatiseur par la minuterie en gardant les réglages précédents :

1. Arrêter le climatiseur.
2. Appuyer sur le bouton TIMER ON. "ON 12:00" clignote sur l'affichage du tableau de commande.



### Timer

3. Appuyer sur le bouton Adjust vers le haut ou vers le bas pour changer la durée de délai de 1 minute à 24 heures. Appuyer une seule fois sur le bouton Adjust (ajustement) pour changer l'heure par tranches de 1 minute. Appuyer sur le bouton Adjust (ajustement) pendant plusieurs secondes pour changer l'heure par tranches de 10 minutes. Garder le bouton Adjust (ajustement) appuyé plus longtemps pour changer l'heure par tranches de 1 heure.
4. Appuyer à nouveau sur TIMER ON. L'indicateur lumineux "ON" et la durée réglée resteront allumés.
5. Au bout de 5 secondes, l'affichage du tableau de commande indique l'heure actuelle.

### Pour régler la mise en marche du climatiseur par la minuterie en changeant les réglages précédents :

1. Arrêter le climatiseur.
2. Régler le mode Cooling, Dry ou Fan Only.
3. Ajuster la vitesse du ventilateur à Auto, High, Mid ou Low.  
**REMARQUE :** La vitesse automatique du ventilateur ne peut pas être sélectionnée au mode Fan Only (ventilateur seulement).
4. Ajuster la température entre 64°F et 90°F (18°C et 32°C).  
**REMARQUE :** Au mode Fan Only (ventilateur seulement) et Dry (séchage), la température ne peut pas être ajustée.
5. Appuyer sur TIMER ON. "ON 12:00" clignote sur l'affichage du tableau de commande.

6. Appuyer sur le bouton Adjust vers le haut ou vers le bas pour changer la durée de délai de 1 minute à 24 heures. Appuyer une seule fois sur le bouton Adjust (ajustement) pour changer l'heure par tranches de 1 minute. Appuyer sur le bouton Adjust (ajustement) pendant plusieurs secondes pour changer l'heure par tranches de 10 minutes. Garder le bouton Adjust (ajustement) appuyé plus longtemps pour changer l'heure par tranches de 1 heure.
7. Appuyer à nouveau sur TIMER ON. L'indicateur lumineux "ON" et la durée réglée resteront allumés.
8. Au bout de 5 secondes, l'affichage du tableau de commande indique l'heure actuelle.

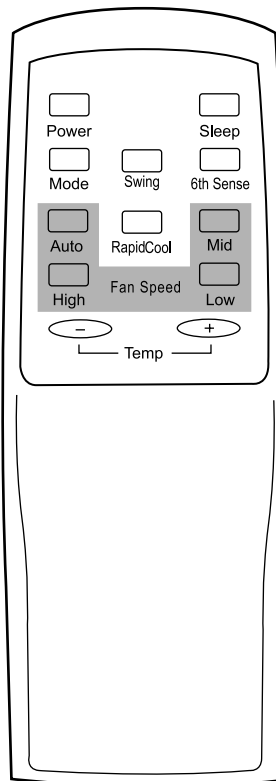
#### Pour effacer le programme de minuterie différée :

**REMARQUE :** Le climatiseur peut être soit en marche soit arrêté.

1. Appuyer de nouveau sur le bouton TIMER OFF pour effacer la caractéristique Timer Off. Le témoin lumineux de la minuterie s'éteint
2. Appuyer de nouveau sur le bouton TIMER ON pour effacer la caractéristique Timer On. L'indicateur lumineux de la minuterie s'éteindra.

### Utilisation de la télécommande

**REMARQUE :** L'apparence de la télécommande peut varier.



#### REMARQUES :

- Deux piles AA (incluses) alimentent la télécommande. Remplacer les piles après 6 mois d'usage ou lorsque le fonctionnement de la télécommande n'est plus satisfaisant.
- Pour faire fonctionner le climatiseur avec la télécommande, diriger la télécommande vers le récepteur de signal en se plaçant à moins de 23 pi (7 m) de l'appareil.

#### Mise en marche ou arrêt

Appuyer sur POWER.



Power

#### Mode

1. Appuyer plusieurs fois sur MODE jusqu'à ce que le symbole du réglage désiré s'allume.



Mode

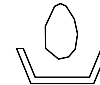
2. Choisir Cooling, Dry, ou Fan Only.

- Cooling (refroidissement)— Refroidit la pièce. Appuyer sur AUTO, HIGH, MID ou LOW pour sélectionner la vitesse de ventilateur. Appuyer sur le bouton TEMP "+" ou "-" pour ajuster la température.



- Dry (séchage)— Sèche la pièce. Le climatiseur sélectionne automatiquement la température. Le ventilateur fonctionne à la vitesse Low (basse) seulement.

**REMARQUE :** Le mode de séchage ne doit pas être utilisé pour refroidir la pièce.



- Fan Only (ventilateur seulement)— Seul le ventilateur fonctionne. Appuyer sur HIGH, MID ou LOW.



**REMARQUE :** La vitesse automatique du ventilateur ne peut pas être sélectionnée au mode Fan Only.

#### Système de commande 6<sup>th</sup> Sense™

Le climatiseur sélectionne automatiquement le mode Refroidissement ou Séchage, selon la température qui règne dans la pièce, et règle la température à 79°F (26°C).

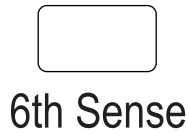
- On peut ajuster le point de réglage de la température entre 75°F (24°C) et 83°F (28°C). Appuyer une fois sur le bouton plus ou moins pour faire varier la température de réglage de 2°F (1°C), ou appuyer deux fois pour une variation de 4°F (2°C).



- Si la température dans la pièce est inférieure à 73°F (23°C), le mode de Fan Only (ventilateur uniquement) est automatiquement sélectionné. Appuyer sur High, Med ou Low pour la vitesse du ventilateur.

**REMARQUE :** La vitesse automatique du ventilateur ne peut pas être sélectionnée au mode Fan Only.

- Si la température actuelle de la pièce se trouve entre 73°F (23°C) et 79°F (26°C), le mode séchage et la vitesse automatique de ventilateur sont automatiquement sélectionnés.
  - Si la température dans la pièce est supérieure à 79°F (26°C), le mode de refroidissement et la vitesse automatique du ventilateur sont automatiquement sélectionnés.
1. Appuyer sur de commande 6<sup>th</sup> SENSE™.



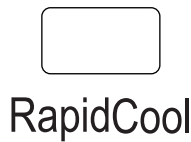
2. Au mode Fan Only (ventilateur seulement), appuyer sur HIGH, MID ou LOW.

**REMARQUE :** La vitesse automatique du ventilateur ne peut pas être sélectionnée au mode Fan Only (ventilateur seulement).

### Commande RapidCool™

Utilisé pour un refroidissement rapide. Le climatiseur règle automatiquement la vitesse du ventilateur à High et la température à 64°F (18°C).

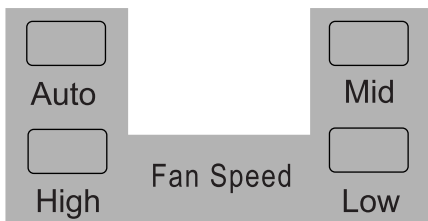
1. Appuyer sur la commande RAPIDCOOL™. Le climatiseur règle automatiquement la température à 64°F (18°C) et la vitesse du ventilateur à High.



2. Pour désactiver la commande RapidCool™, appuyer sur n'importe quel bouton de la télécommande ou du tableau de commande excepté Timer On (minuterie activée), Timer Off (minuterie désactivée) et Swing (changement de direction du mouvement de l'air).

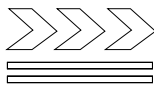
### Vitesse du ventilateur

1. Choisir le vitesse du ventilateur souhaitée.



2. Appuyer sur AUTO (automatique), HIGH (élevée), MID ou LOW (basse).
  - Auto—contrôle automatiquement la vitesse de ventilation en fonction de la température ambiante et du réglage de la commande de température.

**REMARQUE :** La vitesse automatique du ventilateur ne peut pas être sélectionnée au mode Fan Only.



- High—refroidissement maximum



- Mid—refroidissement normal

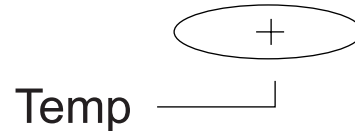


- Low—refroidissement modéré

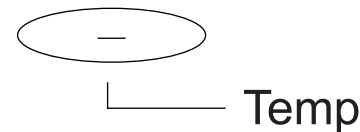


### Température

- Appuyer sur le bouton de TEMP “+” pour augmenter la température. Appuyer une fois sur le bouton de TEMP “+” pour augmenter la température réglée de 2°F (1°C), ou appuyer deux fois pour augmenter la température réglée de 4°F (2°C).



- Appuyer sur le bouton de TEMP “-” pour réduire la température. Appuyer une fois sur le bouton de TEMP “-” pour réduire la température réglée de 2°F (1°C), ou appuyer deux fois pour réduire la température réglée de 4°F (2°C).



### REMARQUES :

- Au mode de refroidissement, la température peut être réglée entre 64°F et 90°F (18°C et 32°C).
- Au mode Fan Only (ventilation seulement), de commande Sleep et avec le système de commande 6<sup>th</sup> Sense™, la température ne peut pas être réglée.

### Commande Sleep

La vitesse du ventilateur se règle automatiquement sur vitesse lente et les lumières du panneau de commande s'assombrissent.

### REMARQUES :

- Si la température actuelle de la pièce est supérieure ou égale à 79°F (26°C), la température réglée n'est pas modifiée lorsque la commande Sleep (veille) est activée.



- Si la température actuelle de la pièce est inférieure à 79°F (26°C), la température augmente automatiquement de 2°F (1°C) durant la première heure après que la commande Sleep (veille) ait été activée.
  - La température réglée n'augmente pas durant les dernières 7 heures de commande de veille.
1. Appuyer sur MODE pour sélectionner Cooling (refroidissement) ou Dry (séchage).

**REMARQUE :** La commande de veille ne peut pas être sélectionnée lorsque Fan Only (ventilateur seulement) est sélectionné.

2. Appuyer sur le bouton de TEMP (température) “+” ou “-” pour régler la température.

3. Appuyer sur SLEEP (veille). Après 5 secondes, les lumières sur le panneau de commande s'assombrissent.
- REMARQUE :** Le mode, la température et la direction du flux d'air peuvent être réglés durant le fonctionnement de la commande Sleep (veille). Le ventilateur fonctionne automatiquement à la vitesse Low (basse). Après 5 secondes, les lumières sur l'affichage du panneau de commande s'assombrissent à nouveau.



Sleep

4. Pour désactiver la commande de veille, appuyer sur SLEEP (veille), MODE, POWER ou attendre 8 heures pour que la commande Sleep (veille) s'éteigne automatiquement.

**REMARQUE :** Après la désactivation du mode de veille, le climatiseur retrouve le paramétrage antérieur.

## Changement de direction de l'air

### Sur la télécommande ou sur le tableau de commande

Appuyer une fois sur SWING pour changer la direction verticale du flux d'air. Appuyer à nouveau pour arrêter la manœuvre d'orientation des lames à claire-voie à la position désirée.



Swing

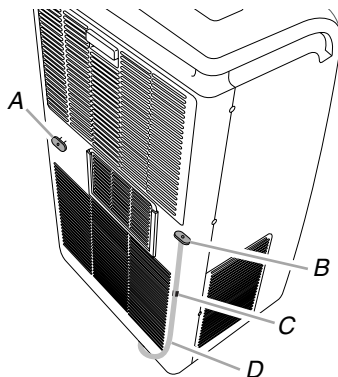
### Sons normaux

Lorsque le climatiseur fonctionne normalement, on peut percevoir certains sons comme :

- Mouvement de l'air sous l'effet du ventilateur.
- Déclics émis par le thermostat.
- Vibrations ou bruits imputables à une construction médiocre du mur ou de la fenêtre.
- Bourdonnement à fréquence élevée ou pulsations à cause du compresseur moderne à haute efficacité qui se met en marche et s'arrête de façon intermittente.

## ENTRETIEN DU CLIMATISEUR PORTATIF

### Vidange du climatiseur



A. Bouchon de vidange secondaire  
B. Bouchon de vidange

C. Attache du tuyau d'évacuation  
D. Tuyau d'évacuation principal

### **AVERTISSEMENT**

#### Risque du poids excessif

Utiliser deux ou plus de personnes pour déplacer et installer le climatiseur.

Le non-respect de cette instruction peut causer une blessure au dos ou d'autre blessure.

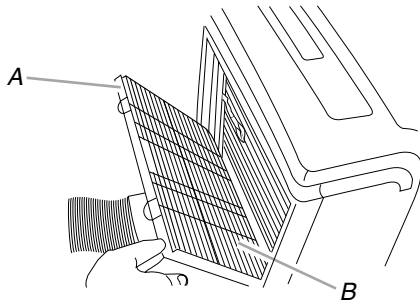
1. Appuyer sur ON/OFF (marche/arrêt) pour arrêter le climatiseur.

2. Débrancher le climatiseur ou déconnecter la source de courant électrique.
3. Déplacer le climatiseur au lieu de vidange ou à l'extérieur.  
**REMARQUE :** Afin d'éviter que de l'eau ne se renverse du seau, déplacer le climatiseur lentement tout en le maintenant d'aplomb.
4. Ôter le bouchon de vidange secondaire et évacuer l'eau complètement.
5. Dégager le tuyau d'évacuation principal de l'attache du tuyau d'évacuation.
6. Ôter le bouchon de vidange de l'extrémité du tuyau d'évacuation principal et évacuer l'eau complètement.  
**REMARQUE :** Si le climatiseur doit être remis après utilisation, voir "Remisage après utilisation".
7. Réinstaller le bouchon de vidange secondaire.
8. Réinstaller le bouchon de vidange sur le tuyau d'évacuation principal.
9. Fixer à nouveau le tuyau d'évacuation principal à l'attache du tuyau d'évacuation.
10. Remettre en place le climatiseur.
11. Brancher le climatiseur ou reconnecter la source de courant électrique.
12. Appuyer sur ON/OFF (marche/arrêt) pour mettre le climatiseur en marche.



---

## Nettoyage du filtre à air



A. Panneau du filtre  
B. Filtre à air

1. Appuyer sur ON/OFF (marche/arrêt) pour arrêter le climatiseur.

2. Ouvrir la porte du panneau du filtre à l'intérieur du climatiseur et retirer.
3. Retirer le filtre de la porte du panneau du filtre.
4. Nettoyer le filtre à air à l'aspirateur. Si le filtre est très sale, le laver avec de l'eau tiède et un détergent doux.  
**REMARQUE :** Ne pas laver le filtre à air au lave-vaisselle ni utiliser de produit nettoyant chimique.
5. Faire sécher parfaitement le filtre à air avant de le réinstaller, afin d'assurer une efficacité maximale.
6. Remettre le filtre sur le panneau du filtre.
7. Réinstaller la porte du panneau du filtre.
8. Appuyer sur ON/OFF (marche/arrêt) pour mettre le climatiseur en marche.

---

## Nettoyage de la partie extérieure

1. Appuyer sur ON/OFF (marche/arrêt) pour arrêter le climatiseur.
2. Débrancher le climatiseur ou déconnecter la source de courant électrique.
3. Enlever le filtre à air pour le nettoyer séparément. Voir "Nettoyage du filtre à air".

4. Essuyer la partie extérieure avec un chiffon doux humide.
5. Brancher le climatiseur ou reconnecter la source de courant électrique.
6. Appuyer sur ON/OFF (marche/arrêt) pour mettre le climatiseur en marche.

---

## Remisage après utilisation

1. Vider l'eau complètement. Voir "Vidange du climatiseur".
2. Faire fonctionner le climatiseur avec le ventilateur seulement pendant environ 12 heures pour sécher le climatiseur.
3. Débrancher le climatiseur.
4. Ôter le tuyau d'évacuation souple et le remiser avec le climatiseur dans un endroit propre et sec. Voir les "Instructions d'installation".

5. Retirer l'ensemble pour fenêtre et le remiser avec le climatiseur dans un endroit propre et sec. Voir les "Instructions d'installation".
6. Ôter le filtre et le nettoyer. Voir "Nettoyage du filtre à air".
7. Nettoyer la partie extérieure du climatiseur. Voir "Nettoyage de la partie extérieure".
8. Réinstaller le filtre.
9. Retirer les piles de la télécommande et les remiser avec le climatiseur dans un endroit propre et sec.

# DÉPANNAGE

Avant de faire un appel de service, essayez les suggestions ci-dessous pour déterminer si vous pouvez résoudre votre problème sans aide extérieure.

## Le climatiseur ne fonctionne pas

### **AVERTISSEMENT**



#### Risque de choc électrique

Brancher sur une prise à 3 alvéoles reliée à la terre.

Ne pas enlever la broche de liaison à la terre.

Ne pas utiliser un adaptateur.

Ne pas utiliser un câble de rallonge.

Le non-respect de ces instructions peut causer un décès, un incendie ou un choc électrique.

- **Le cordon d'alimentation est débranché.** Brancher sur une prise à 3 alvéoles reliée à la terre. Voir "Spécifications électriques".
- **Vous utilisez des fusibles temporisés ou un disjoncteur de capacité inappropriée.** Installer un fusible temporisé ou un disjoncteur de capacité correcte. Voir "Spécifications électriques".
- **Le cordon d'alimentation se déclenche (le bouton Reset s'éjecte).** Appuyer sur RESET et relâcher (un déclic est émis, le bouton Reset s'enclenche et reste enfoncé) pour reprendre le fonctionnement.
- **Un fusible est grillé ou un disjoncteur s'est déclenché.** Remplacer le fusible ou réarmer le disjoncteur. Voir "Spécifications électriques".
- **Le bouton On/Off n'a pas été enfoncé.** Appuyer sur ON/OFF.
- **Il y a une panne d'électricité locale.** Attendre le rétablissement du courant.

## Le climatiseur fait griller les fusibles ou déclenche les disjoncteurs

- **Trop d'appareils sont branchés sur le même circuit.** Débrancher ou déplacer les appareils qui se trouvent sur le même circuit.
- **Vous essayez de remettre le climatiseur en marche trop tôt après l'arrêt du climatiseur.** Attendre au moins 3 minutes après l'arrêt du climatiseur avant de tenter une nouvelle mise en marche.
- **Vous avez changé de mode.** Attendre au moins 3 minutes après l'arrêt du climatiseur avant de tenter une nouvelle mise en marche.

## Le cordon d'alimentation du climatiseur se déclenche (le bouton Reset s'éjecte)

- **Des perturbations au niveau du courant électrique peuvent déclencher (le bouton Reset s'éjecte) le cordon d'alimentation.** Appuyer sur RESET et relâcher (un déclic est émis, le bouton Reset s'enclenche et reste enfoncé) pour reprendre le fonctionnement.
- **Une surcharge électrique, une surchauffe, un resserrement ou l'usure peuvent déclencher (le bouton Reset s'éjecte) le cordon d'alimentation.** Après avoir corrigé le problème, appuyer sur RESET et relâcher (un déclic est émis, le bouton Reset s'enclenche et reste enfoncé) pour reprendre le fonctionnement. Si le cordon d'alimentation ne permet pas la remise en marche, contacter un technicien.

**REMARQUE :** Un cordon d'alimentation endommagé ne doit pas être réparé mais remplacé par un neuf que l'on peut se procurer auprès du fabricant du produit.

## Le climatiseur semble fonctionner excessivement

- **Y a-t-il une porte ou une fenêtre ouverte?** Garder les portes et les fenêtres fermées.
- **Ce climatiseur remplace un modèle ancien.** Du fait de l'utilisation de composants plus efficaces, il est possible que le climatiseur fonctionne pendant de plus longues périodes que l'ancien modèle, mais la consommation totale d'énergie sera moindre. Les nouveaux climatiseurs ne projettent pas un puissant jet d'air froid comme les anciens modèles, mais ceci n'indique pas une réduction de la capacité de refroidissement ou de l'efficacité. Se référer à l'indice d'efficacité (EER) et l'indice de capacité (en Btu/h) indiqués sur le climatiseur.
- **Le climatiseur est installé dans une pièce chargée ou dans laquelle des appareils générateurs de chaleur sont installés.** Utiliser des ventilateurs d'évacuation d'air pendant les opérations de cuisson ou les bains, et essayer de ne pas utiliser d'appareil générateur de chaleur pendant les périodes les plus chaudes de la journée. Les climatiseurs portatifs sont conçus comme un dispositif supplémentaire de refroidissement de zones locales dans une même pièce. Il est peut être nécessaire de choisir un climatiseur de plus grande capacité, selon la taille de la pièce à refroidir.

## Le climatiseur fonctionne pendant une courte durée seulement, mais la pièce n'est pas refroidie

- **La température réglée est trop proche de la température ambiante.** Réduire la température. Voir "Utilisation du climatiseur portatif".

## Le climatiseur fonctionne, mais ne refroidit pas

- **Le filtre est sale ou obstrué par des débris.** Nettoyer le filtre.
- **La sortie d'air est bloquée.** Dégager la sortie d'air.
- **La température réglée est trop élevée.** Réduire la température réglée.

---

## Le climatiseur s'allume et s'éteint trop fréquemment

---

- **La taille du climatiseur n'est pas appropriée à la pièce.** Vérifier la capacité de refroidissement de votre climatiseur portatif. Les climatiseurs portatifs sont conçus pour refroidir des zones locales dans une même pièce.
- **Le filtre est sale ou obstrué par des débris.** Nettoyer le filtre.

- **Il y a une quantité excessive de chaleur ou d'humidité (cuisson dans des récipients sans couvercle, douches, etc.) dans la pièce.** Utiliser un ventilateur pour évacuer la chaleur ou l'humidité de la pièce. Essayer de ne pas utiliser d'appareil générateur de chaleur pendant les périodes les plus chaudes de la journée.
- **Les persiennes sont obstruées.** Installer le climatiseur dans un endroit où les persiennes ne sont pas obstruées par des rideaux, stores, meubles, etc.

---

## ASSISTANCE OU SERVICE

Avant de faire un appel pour assistance ou service, consulter la section "Dépannage". Ce guide peut vous faire économiser le coût d'une visite de service. Si vous avez encore besoin d'aide, suivre les instructions ci-dessous.

Lors d'un appel, veuillez connaître la date d'achat, le numéro de modèle et le numéro de série au complet de l'appareil. Ces renseignements nous aideront à mieux répondre à votre demande.

### Si vous avez besoin de pièces de rechange

Si vous avez besoin de commander des pièces de rechange, nous vous recommandons d'employer uniquement des pièces de rechange spécifiées par l'usine. Les pièces de rechange spécifiées par l'usine fonctionneront bien parce qu'elles sont fabriquées avec la même précision utilisée dans la fabrication de chaque nouvel appareil.

Pour obtenir des pièces de rechange spécifiées par l'usine dans votre région, nous contacter ou appeler le Centre de service désigné le plus proche.

### Veuillez inscrire les informations concernant votre modèle.

Vous devrez connaître le numéro de modèle et le numéro de série au complet lorsque vous appelez pour demander un service pour votre appareil. Vous pouvez trouver ces informations sur la plaque signalétique. La plaque signalétique est située sur le cabinet.

Veuillez inscrire ces informations ci-dessous (numéros de modèle et de série). Veuillez également inscrire la date d'achat de l'appareil et le nom, l'adresse et le numéro de téléphone du magasin.

Numéro de modèle \_\_\_\_\_

Numéro de série \_\_\_\_\_

Date d'achat \_\_\_\_\_

Nom du magasin \_\_\_\_\_

Adresse du magasin \_\_\_\_\_

Numéro de téléphone du magasin \_\_\_\_\_

Conservez ce manuel et votre reçu de vente ensemble pour consultation ultérieure.

---

## Aux États-Unis

Téléphoner au Service à la clientèle sans frais d'interurbain au : **1-877-465-3566** ou visitez notre site web à **www.whirlpool.com**.

### Nos consultants sont prêts à vous aider pour les questions suivantes :

- Caractéristiques et spécifications sur toute notre gamme d'appareils électroménagers.
- Renseignements d'installation.
- Procédés d'utilisation et d'entretien.
- Vente de pièces de rechange.
- Références aux distributeurs de pièces de rechange et compagnies de service. Les techniciens de service désignés sont formés pour effectuer les travaux de réparation sous garantie et le service après la garantie, partout aux États-Unis.

### Pour plus d'assistance

Si vous avez besoin de plus d'assistance, vous pouvez soumettre par écrit toute question ou préoccupation à l'adresse suivante :

Hisense USA Corp.  
Customer Service  
105 Satellite Blvd. NW, Suite A  
Suwanee, GA 30024

Dans votre correspondance veuillez indiquer un numéro de téléphone où on peut vous joindre dans la journée.

---

## Au Canada

Veuillez appeler sans frais le Service à la clientèle au : **1-877-577-4105** ou visitez notre site web à **www.whirlpool.com**.

### Nos consultants vous renseigneront sur les sujets suivants :

- Caractéristiques et spécifications sur toute notre gamme d'appareils électroménagers.
- Consignes d'utilisation et d'entretien.
- Ventes de pièces de rechange.
- Références aux distributeurs de pièces de rechange et aux compagnies de service. Les techniciens de service désignés sont formés pour remplir la garantie des produits et fournir un service après la garantie, partout au Canada.

### Pour plus d'assistance

Si vous avez besoin de plus d'assistance, vous pouvez soumettre par écrit toute question ou préoccupation à l'adresse suivante :

Hisense USA Corp.  
c/o TransGlobal Service  
11411 170 Street  
Edmonton, AB  
T5M 3Y6  
Canada

Veuillez inclure dans votre correspondance un numéro de téléphone où on peut vous joindre dans la journée.

**1328891**

© 2008. All rights reserved.  
Todos los derechos reservados.  
Tous droits réservés.

® Registered Trademark/™ Trademark of Whirlpool, U.S.A.  
Manufactured under license by Hisense Company Limited, Qingdao, China  
® Marca registrada/™ Marca de comercio de Whirlpool, U.S.A.  
Fabricado bajo licencia por Hisense Company Limited, Qingdao, China  
® Marque déposée/™ Marque de commerce de Whirlpool, U.S.A.  
Fabriqué sous licence par Hisense Company Limited, Qingdao, China

12/08  
Printed in China  
Impreso en China  
Imprimé en Chine

## Free Manuals Download Website

<http://myh66.com>

<http://usermanuals.us>

<http://www.somanuals.com>

<http://www.4manuals.cc>

<http://www.manual-lib.com>

<http://www.404manual.com>

<http://www.luxmanual.com>

<http://aubethermostatmanual.com>

Golf course search by state

<http://golfingnear.com>

Email search by domain

<http://emailbydomain.com>

Auto manuals search

<http://auto.somanuals.com>

TV manuals search

<http://tv.somanuals.com>