

WINDOW AIR CONDITIONER

Use & Care Guide

For questions about features, operation/performance, parts
or service, call: **1-800-253-1301**.

In Puerto Rico, call **1-787-999-7400**.

or visit our website at... www.whirlpool.com

In Canada, for assistance, installation or service,
call: **1-800-807-6777**.

ACONDICIONADOR DE AIRE PARA VENTANA

Manual de uso y cuidado

Si tiene preguntas respecto a las características, funcionamiento,
rendimiento, partes o servicio técnico,
llame al: **1-800-253-1301**.

En Puerto Rico, llame al **1-787-999-7400**.

o visite nuestro sitio de internet en... www.whirlpool.com

CLIMATISEUR DE FENÊTRE

Guide d'utilisation et d'entretien

Au Canada, pour assistance, installation ou service,
composez le : **1-800-807-6777**.

ou visitez notre site web à... www.whirlpool.com

Table of Contents/Índice/Table des matières 2

TABLE OF CONTENTS

AIR CONDITIONER SAFETY	3	Prepare Window for Installation	10
PRODUCT REGISTRATION	3	Position Air Conditioner	10
In the U.S.A.	3	Complete Installation.....	12
In Canada	3	AIR CONDITIONER USE	13
INSTALLATION REQUIREMENTS	4	Starting Your Air Conditioner	13
Tools and Parts—All Models	4	Using the Remote Control.....	15
Location Requirements—All Models	4	Changing Air Direction	16
Electrical Requirements—All Models.....	5	AIR CONDITIONER CARE	16
INSTALLATION INSTRUCTIONS—		Cleaning the Air Filter	16
5500 BTU, 6300 BTU, 8000 BTU	6	Cleaning the Front Panel	17
Unpack the Air Conditioner.....	6	Repairing Paint Damage	17
Prepare Air Conditioner for Installation.....	6	Annual Maintenance.....	17
Prepare Window for Installation.....	7	TROUBLESHOOTING	17
Prepare Window with Storm Window or Other Obstruction.....	7	Normal Sounds.....	18
Position Air Conditioner	7	ASSISTANCE OR SERVICE	18
Complete Installation	9	In the U.S.A.	18
INSTALLATION INSTRUCTIONS—10K BTU, 12K BTU	9	In Canada	19
Unpack the Air Conditioner.....	9	WARRANTY	19
Prepare Air Conditioner for Installation.....	10		

ÍNDICE

SEGURIDAD DEL ACONDICIONADOR DE AIRE	21	Prepare el acondicionador de aire para la instalación	28
REGISTRO DEL PRODUCTO	21	Prepare la ventana para la instalación	28
En EE.UU.	21	Coloque el acondicionador de aire en su lugar	29
REQUISITOS DE INSTALACIÓN	22	Complete la instalación	30
Herramientas y piezas—Todos los modelos	22	CÓMO USAR EL ACONDICIONADOR DE AIRE	31
Requisitos de ubicación—Todos los modelos	22	Cómo poner en marcha su acondicionador de aire	31
Requisitos eléctricos—Todos los modelos	23	Cómo usar el control remoto	34
INSTRUCCIONES DE INSTALACIÓN — MODELOS DE		Cómo cambiar la dirección del aire	35
5500 BTU, 6300 BTU Y 8000 BTU	24	CUIDADO DE SU ACONDICIONADOR DE AIRE	35
Desempaque el acondicionador de aire	24	Limpieza del filtro de aire	35
Prepare el acondicionador de aire para la instalación	24	Limpieza del panel frontal	36
Prepare la ventana para la instalación	25	Reparación de la pintura dañada.....	36
Prepare la ventana con contraventane u otra obstrucción	25	Mantenimiento anual	36
Coloque el acondicionador de aire en su lugar.....	26	SOLUCIÓN DE PROBLEMAS	36
Complete la instalación.....	27	Sonidos normales.....	37
INSTRUCCIONES DE INSTALACIÓN—MODELOS		AYUDA O SERVICIO TÉCNICO	38
DE 10.000 BTU Y 12.000 BTU	28	En los EE.UU.	38
Desempaque el acondicionador de aire	28	GARANTÍA	38

TABLE DES MATIÈRES

SÉCURITÉ DU CLIMATISEUR	40	Préparation le climatiseur pour l'installation	47
ENREGISTREMENT DU PRODUIT	40	Préparation de la fenêtre pour l'installation	47
Aux États-Unis	40	Positionnement du climatiseur	48
Au Canada.....	40	Achever l'installation	49
EXIGENCES D'INSTALLATION	41	UTILISATION DU CLIMATISEUR	50
Outils et pièces—tous les modèles	41	Mise en marche du climatiseur	50
Exigences d'emplacement—tous les modèles	41	Utilisation de la télécommande.....	53
Spécifications électriques—Tous modèles	42	Changement de direction de l'air.....	54
INSTRUCTIONS D'INSTALLATION —		ENTRETIEN DU CLIMATISEUR	54
5500 BTU, 6300 BTU, 8000 BTU	43	Nettoyage du filtre à air	54
Déballage du climatiseur.....	43	Nettoyage du panneau avant.....	55
Préparation du climatiseur pour l'installation	43	Remise en état de la peinture	55
Préparation de la fenêtre pour l'installation	44	Entretien annuel.....	55
Préparation des fenêtres avec fenêtre anti-orage ou		DÉPANNAGE	55
autres obstacles	44	Sons normaux	56
Positionnement du climatiseur.....	45	ASSISTANCE OU SERVICE	57
Achever l'installation	46	Aux États-Unis.....	57
INSTRUCTIONS D'INSTALLATION—10000 BTU, 12000 BTU	47	Au Canada.....	57
Déballage du climatiseur.....	47	GARANTIE	58

AIR CONDITIONER SAFETY

Your safety and the safety of others are very important.

We have provided many important safety messages in this manual and on your appliance. Always read and obey all safety messages.



This is the safety alert symbol.

This symbol alerts you to potential hazards that can kill or hurt you and others.

All safety messages will follow the safety alert symbol and either the word "DANGER" or "WARNING."

These words mean:

⚠ DANGER

You can be killed or seriously injured if you don't immediately follow instructions.

⚠ WARNING

You can be killed or seriously injured if you don't follow instructions.

All safety messages will tell you what the potential hazard is, tell you how to reduce the chance of injury, and tell you what can happen if the instructions are not followed.

IMPORTANT SAFETY INSTRUCTIONS

WARNING: To reduce the risk of fire, electrical shock or injury when using your air conditioner, follow these basic precautions:

- Plug into a grounded 3 prong outlet.
- Do not use an extension cord.
- Do not remove ground prong.
- Unplug air conditioner before servicing.
- Do not use an adapter.
- Use two or more people to move and install air conditioner.

SAVE THESE INSTRUCTIONS

PRODUCT REGISTRATION

Thank you for purchasing a Whirlpool window air conditioner. In order to better serve you, please take a moment to register your product.

When calling or registering online, please know the purchase date and the complete model and serial number of your air conditioner. See "Assistance or Service." Failure to register your product will not diminish your warranty rights.

Always keep a copy of the sales receipt showing the date of purchase of your Whirlpool window air conditioner. Proof of purchase will assure you of warranty coverage.

You MUST Register Your Product For:

- Recall Notifications—Proper registration will enable us to contact you in the unlikely event of a product safety notification and, in the U.S.A., assist us in complying with the provisions of the Consumer Product Safety Act.
- Proof of Ownership—In the case of an insurance loss, such as fire, flood or theft, your registration will serve as your proof of purchase.

- Quality Assurance—Call within 10 days; the sooner we have your information, the better we are able to help you.

Don't Forget—We know you are busy, but registering is important, quick and easy!

In the U.S.A.

Call the Whirlpool Customer eXperience Center toll free: **1-800-253-1301**, or register online at <https://www.registration.whirlpoolcorp.com/register/>. In Puerto Rico, call **1-787-999-7400**.

In Canada

Call the Whirlpool Canada LP Customer eXperience Centre toll free: **1-800-807-6777**, or go online at <https://www.whirlpoolappliances.ca/en/Registration/Default.html>.

INSTALLATION REQUIREMENTS

Tools and Parts—All Models

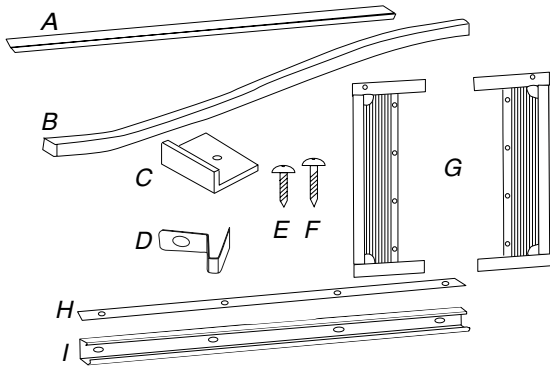
Gather the required tools and parts before starting installation. Read and follow the instructions provided with any tools listed here.

Tools Needed

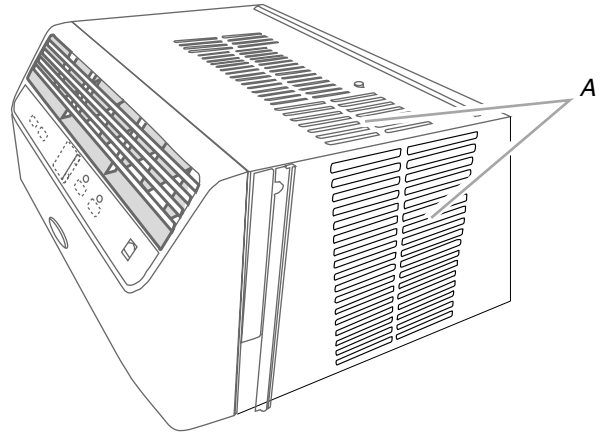
- Phillips screwdriver
- Scissors
- Level
- Tape measure
- Cordless drill and 1/8" bit
- Pencil

Parts Supplied

Check that all parts are included in parts package.



- A. Foam seal with adhesive strip
- B. Foam seal without adhesive strip
- C. Window lock bracket
- D. Side bracket (on some models)
- E. 3/8" screws (4) (5500, 6300 and 8k models only)
- F. 1/4" screws (5) (6 provided on 10k and 12k models)
- G. Side curtains (2)
- H. Top channel seal (on some models)
- I. Top channel (on some models)



A. Cabinet louvers

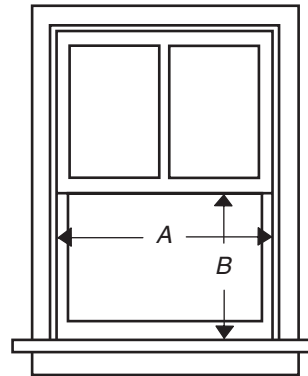
Window Installation

Window Opening Measurements—Small Chassis: 5500 Btu, 6300 Btu and 8000 Btu:

- 21" (53.3 cm) minimum to 33 1/2" (85 cm) maximum opening width.
- 13 1/2" (34.3 cm) minimum opening height

Window Opening Measurements—Large Chassis: 10k and 12k Btu

- 24" (61 cm) minimum to 36" (91.4 cm) maximum opening width.
- 15" (38.1 cm) minimum opening height.



- A. Small chassis: 21" (53.3 cm) minimum; Large chassis: 24" (61 cm) minimum
- B. Small chassis: 13 1/2" (34.3 cm) minimum; Large chassis: 15" (38.1 cm) minimum

Location Requirements—All Models

IMPORTANT: Observe all governing codes and ordinances.

Check the location where the air conditioner will be installed. Make sure you have everything necessary for correct installation.

The location should provide:

- Grounded electrical outlet within 6 ft (183 cm) of where the power cord exits the air conditioner.
NOTE: Do not use an extension cord.
- Free movement of air in room to be cooled.
- A large enough opening for the air conditioner. Installation parts are supplied for double-hung windows.
- Adequate wall support for weight of air conditioner. Air conditioner weighs 50 lbs to 75 lbs (22.7 kg to 34 kg).

NOTE: Cabinet louvers must not be obstructed. Air must be able to pass freely through the cabinet louvers.

Electrical Requirements—All Models

⚠ WARNING



Electrical Shock Hazard

Plug into a grounded 3 prong outlet.

Do not remove ground prong.

Do not use an adapter.

Do not use an extension cord.

Failure to follow these instructions can result in death, fire, or electrical shock.

The electrical ratings for your air conditioner are listed on the model and serial number label. The model and serial number label is located on the right-hand side of the air conditioner cabinet.

Specific electrical requirements are listed in the “Power Supply Cord Electrical Requirements” chart. Follow the requirements for the type of plug shown in the chart.

Power Supply Cord

Electrical Requirements



- 115-volt (103.5 min. - 126.5 max.)
- 0-12 amps
- 15-amp time-delay fuse or circuit breaker
- If there is a “Single Circuit Only” label on the unit, use on a dedicated single-outlet circuit only.
- If a dedicated single-outlet circuit is not available, then it is the customer's responsibility to have a single-outlet circuit installed by a qualified electrician.
- If there is no “Single Circuit Only” label on the unit, the unit may be used on any branch circuit of correct voltage and adequate current protection rating.

Recommended Grounding Method

This air conditioner must be grounded. This air conditioner is equipped with a power supply cord having a grounded 3 prong plug. To minimize possible shock hazard, the cord must be plugged into a mating, grounded 3 prong outlet, grounded in accordance with all local codes and ordinances. If a mating outlet is not available, it is the customer's responsibility to have a properly grounded 3 prong outlet installed by a qualified electrical installer.

It is the customer's responsibility:

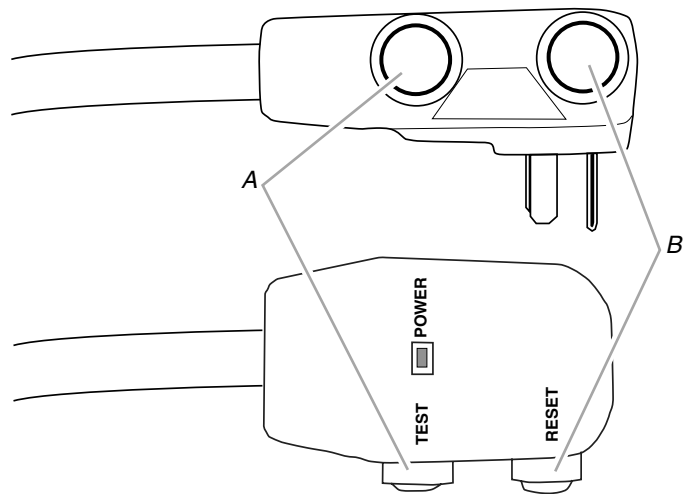
- To contact a qualified electrical installer.
- To assure that the electrical installation is adequate and in conformance with National Electrical Code, ANSI/NFPA 70-latest edition, and all local codes and ordinances.

Copies of the standards listed may be obtained from:

National Fire Protection Association
1 Batterymarch Park
Quincy, MA 02169

Power Supply Cord

NOTE: Your air conditioner's device may differ from the one shown.



A. Test button
B. Reset button

This window air conditioner is equipped with a power supply cord required by UL. This power supply cord contains state-of-the-art electronics that sense leakage current. If the cord is crushed, the electronics detect leakage current and power will be disconnected in a fraction of a second.

⚠ WARNING



Electrical Shock Hazard

Plug into a grounded 3 prong outlet.

Do not remove ground prong.

Do not use an adapter.

Do not use an extension cord.

Failure to follow these instructions can result in death, fire, or electrical shock.

To test your power supply cord:

1. Plug power supply cord into a grounded 3 prong outlet.

2. Press RESET (on some devices, a green light will turn on).
3. Press TEST (listen for click; Reset button will trip, and on some devices, a green light will turn off).
4. Press and release RESET (listen for click; Reset button will latch, and on some devices, a green light will turn on). The power supply cord is ready for operation.

NOTES:

- The Reset button must be pushed in for proper operation.

- The power supply cord must be replaced if it fails to trip when the test button is pressed or fails to reset.
- Do not use the power supply cord as an off/on switch. The power supply cord is designed as a protective device.
- A damaged power supply cord must be replaced with a new power supply cord obtained from the product manufacturer and must not be repaired.
- The power supply cord contains no user serviceable parts. Opening the tamper-resistant case voids all warranty and performance claims.

INSTALLATION INSTRUCTIONS—5500 BTU, 6300 BTU, 8000 BTU

Unpack the Air Conditioner

⚠ WARNING

Excessive Weight Hazard

Use two or more people to move and install air conditioner.

Failure to do so can result in back or other injury.

Remove Packaging Materials

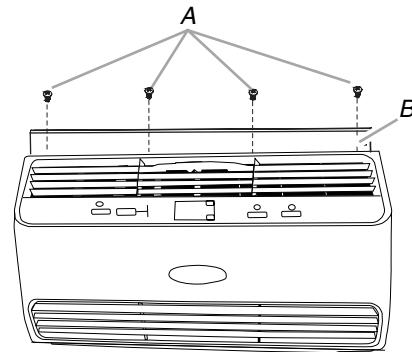
- Handle the air conditioner gently while unpacking the unit.
- Cut the 4 plastic bands that secure the carton.
- Remove the carton top and lift the air conditioner from the base pad.
- Remove tape and glue residue from surfaces before turning on the air conditioner. Rub a small amount of liquid dish soap over the adhesive with your fingers. Wipe with warm water and dry.
- Do not use sharp instruments, rubbing alcohol, flammable fluids, or abrasive cleaners to remove tape or glue. These products can damage the surface of your air conditioner.
- Remove any packaging materials inserted into the side louvers.
- Dispose of/recycle packaging materials.

Prepare Air Conditioner for Installation

Install Top Channel

1. Remove the plastic covering the adhesive on the top channel seal and attach the seal to the top channel, lining up the holes in the seal and the top channel.
2. Place the top channel on the top of the air conditioner, lining up the holes in the top channel with the holes in the top of the air conditioner.
3. Using four 3/8" screws, attach the top channel to the air conditioner.

NOTE: Your model may differ from the one shown.

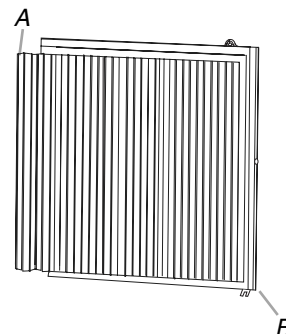


A. 3/8" screws
B. Top channel

Install Side Curtains

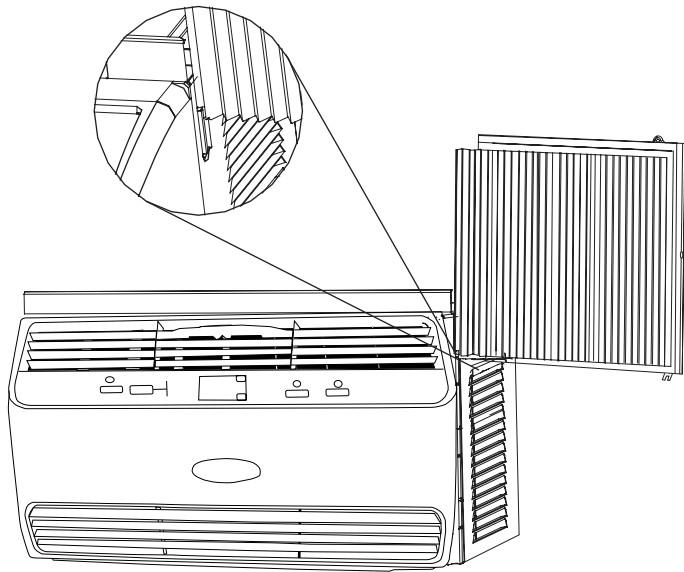
NOTE: Attach curtains to the air conditioner before placing the air conditioner in window.

1. Place the tabbed side of the side curtain in the track on the right-hand side of the air conditioner cabinet.

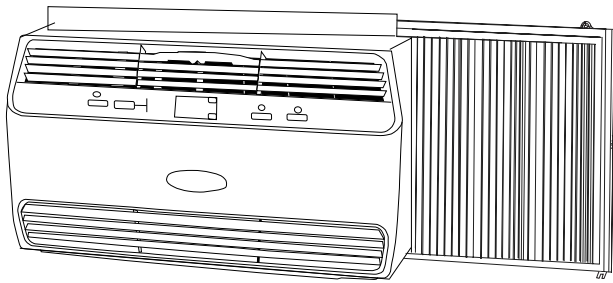


A. Tabbed side of side curtain
B. Curtain frame

- Slide the side curtain down the track until the curtain is aligned with the top and bottom of the air conditioner cabinet.



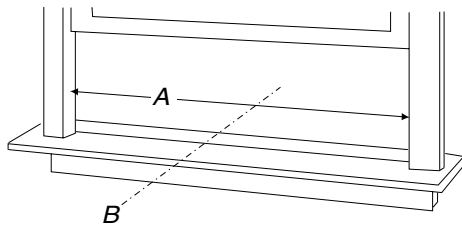
- Slide the side curtain frame into the top channel on the top of the air conditioner and the track on the bottom of the air conditioner.



- Repeat the previous steps for the left-hand side curtain and frame.

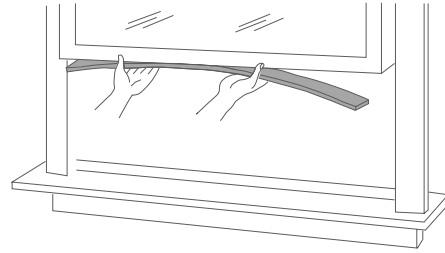
Prepare Window for Installation

- Measure the width of the window opening.
- Mark the center line on the inside windowsill.



A. Width of window opening
B. Center line

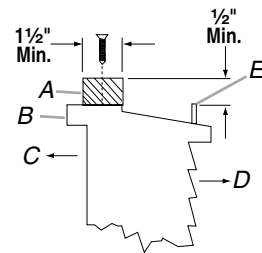
- Attach the foam seal with adhesive strip to the bottom of the upper window.



Prepare Window with Storm Window or Other Obstruction

- Follow the steps in "Prepare Window for Installation."
- If possible, remove the storm window frame or other obstruction.
- If storm window frame or other obstruction cannot be removed, attach a piece of wood across windowsill with the thickness necessary for proper pitch of the air conditioner to the outside to drain condensation from the unit.

Accumulated rainwater or condensation must be allowed to drain away.



A. Piece of wood
B. Windowsill
C. Indoors
D. Outdoors
E. Storm window frame or other obstruction

Position Air Conditioner

⚠ WARNING

Excessive Weight Hazard

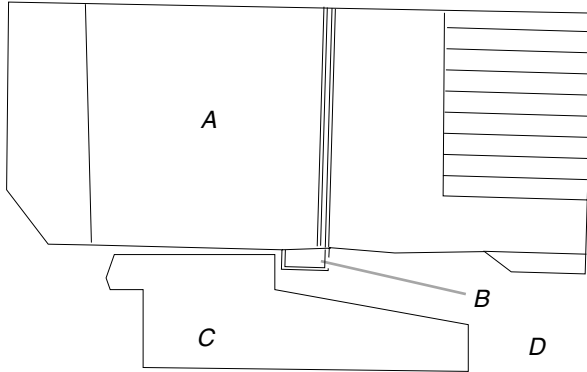
Use two or more people to move and install air conditioner.

Failure to do so can result in back or other injury.

NOTES:

- Handle the air conditioner gently.
- Be sure your air conditioner does not fall out of the opening during installation or removal.

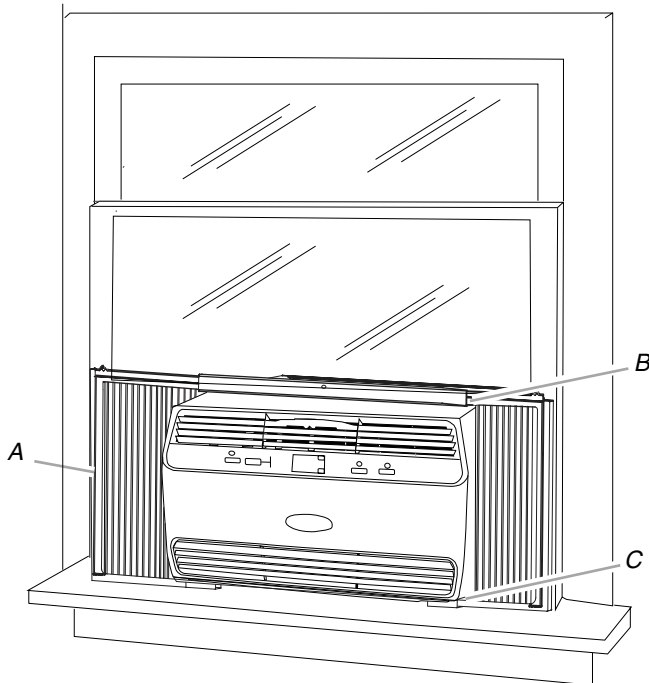
- The place where the power cord exits the air conditioner should be no more than 6 ft (183 cm) from a grounded outlet.
 - Do not block the air intake or discharge louvers in the front panel.
 - Do not block the louvers on the outside of the air conditioner.
1. Using 2 or more people, gently place the air conditioner into the window and center it according to the center line marked earlier. Check that the bottom channel of the air conditioner is against the windowsill.



A. Air conditioner C. Windowsill
B. Bottom channel D. Outside

2. Lower the window sash behind the top channel to hold the air conditioner in place.

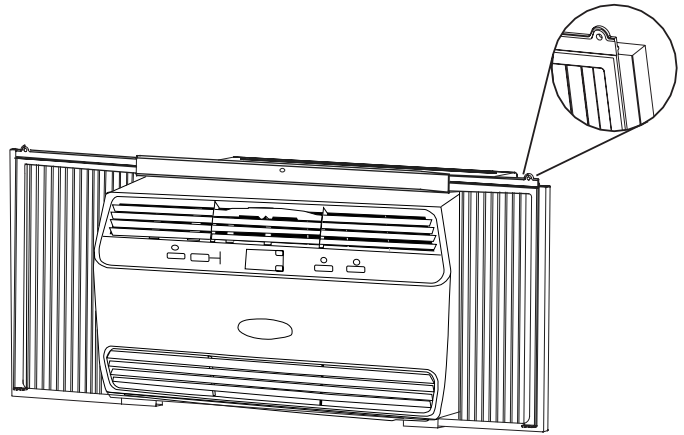
NOTE: Your model may differ from the one shown.



A. Side curtain against window channel
B. Window sash behind top channel
C. Bottom channel in behind windowsill

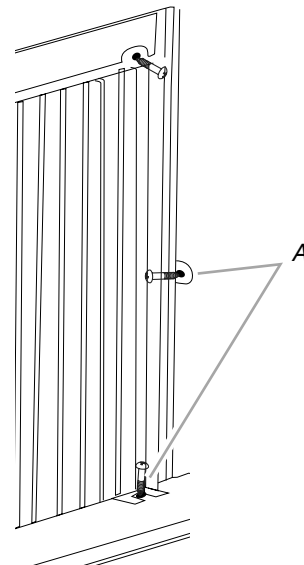
Attach Side Curtains to Window

1. Pull the right-hand curtain out until it fits into the window channel.
2. Use a 1/8" drill bit to drill a starter hole through the top hole in the side curtain and into the window sash.



3. Insert one of the 3/4" screws through the top hole of the right-hand curtain and into the window sash.
4. Use a 1/8" drill bit to drill a starter hole through either the bottom or side holes in the right-hand curtain and into the windowsill or frame.
5. Insert one of the 3/4" screws through the hole drilled in Step 4.

Side Curtain Screws

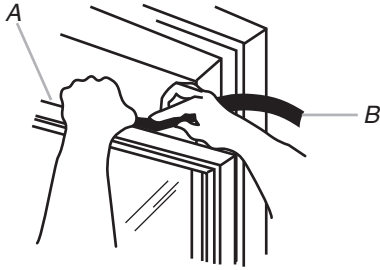


A. Optional screws

6. Repeat steps 1 through 5 for attachment of the left-hand curtain.

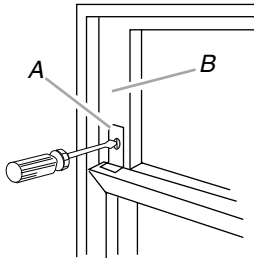
Complete Installation

1. Insert the foam seal without adhesive strip behind the top of the lower window sash and against the glass of the upper window.



A. Top of lower window sash
B. Foam seal

2. Place the window lock bracket as shown. Use a $\frac{1}{8}$ " drill bit to drill a starter hole through the hole in the window lock bracket and into the upper window.
3. Attach the window lock bracket to the upper window with one $\frac{3}{4}$ " screw to secure the window in place.



A. Window lock bracket
B. Upper window

⚠ WARNING



Electrical Shock Hazard

Plug into a grounded 3 prong outlet.

Do not remove ground prong.

Do not use an adapter.

Do not use an extension cord.

Failure to follow these instructions can result in death, fire, or electrical shock.

4. Plug into a grounded 3 prong outlet.
5. Press RESET on the power supply cord. See "Electrical Requirements."
6. Remove the clear plastic film from the control panel and plastic front.

INSTALLATION INSTRUCTIONS—10K BTU, 12K BTU

Unpack the Air Conditioner

⚠ WARNING

Excessive Weight Hazard

Use two or more people to move and install air conditioner.

Failure to do so can result in back or other injury.

Remove Packaging Materials

- Handle the air conditioner gently while unpacking the unit.
- Cut the 4 plastic bands that secure the carton.

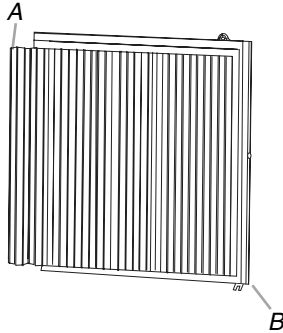
- Remove the carton top and lift the air conditioner from the base pad.
- Remove tape and glue residue from surfaces before turning on the air conditioner. Rub a small amount of liquid dish soap over the adhesive with your fingers. Wipe with warm water and dry.
- Do not use sharp instruments, rubbing alcohol, flammable fluids, or abrasive cleaners to remove tape or glue. These products can damage the surface of your air conditioner.
- Remove any packaging materials inserted into the side louvers.
- Dispose of/recycle packaging materials.

Prepare Air Conditioner for Installation

Install Side Curtains

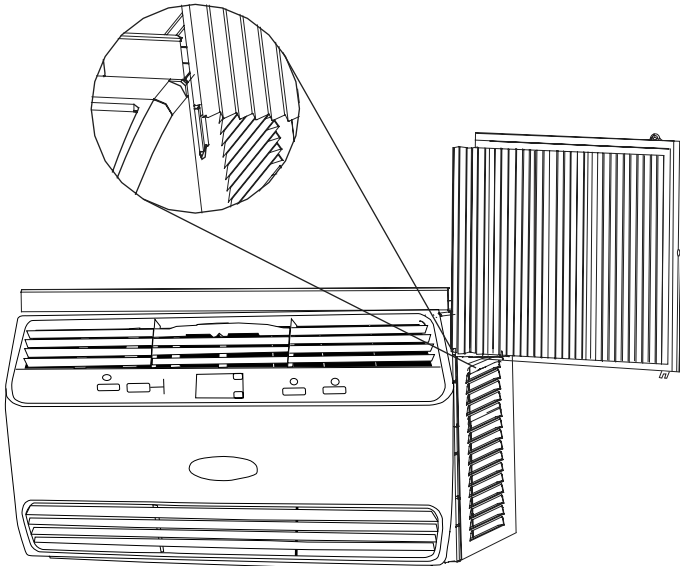
NOTE: Attach curtains to the air conditioner before placing the air conditioner in window.

1. Place the tabbed side of the side curtain in the track on the right-hand side of the air conditioner cabinet.

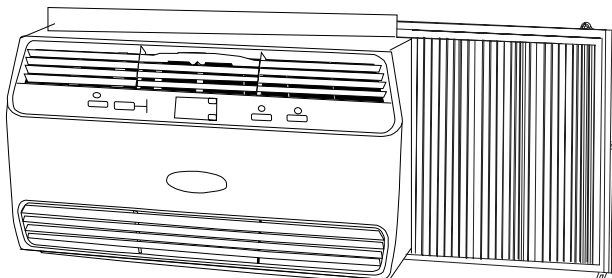


A. Tabbed side of side curtain
B. Curtain frame

2. Slide the side curtain down the track until the curtain is aligned with the top and bottom of the air conditioner cabinet.



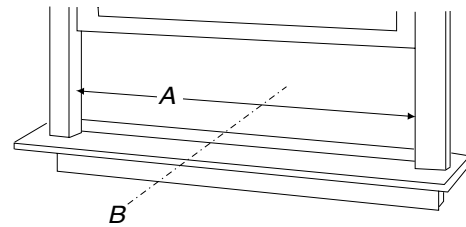
3. Slide the side curtain frame into the top channel on the top of the air conditioner and the track on the bottom of the air conditioner.



4. Repeat above steps for the left-hand side curtain and frame.

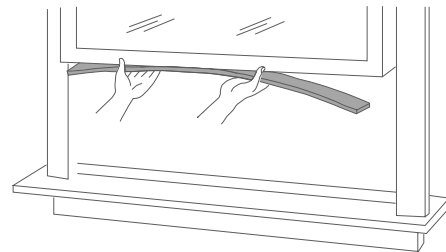
Prepare Window for Installation

1. Measure the width of the window opening.
2. Mark the center line on the inside windowsill.



A. Width of window opening
B. Center line

3. Attach the foam seal with adhesive strip to the bottom of the upper window.



Position Air Conditioner

⚠ WARNING

Excessive Weight Hazard

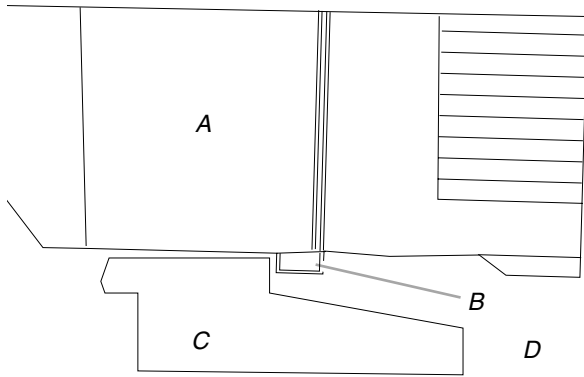
Use two or more people to move and install air conditioner.

Failure to do so can result in back or other injury.

NOTES:

- Handle the air conditioner gently.
- Be sure your air conditioner does not fall out of the opening during installation or removal.
- The place where the power cord exits the air conditioner should be no more than 6 ft (183 cm) from a grounded outlet.
- Do not block the air intake or discharge louvers in the front panel.
- Do not block the louvers on the outside of the air conditioner.

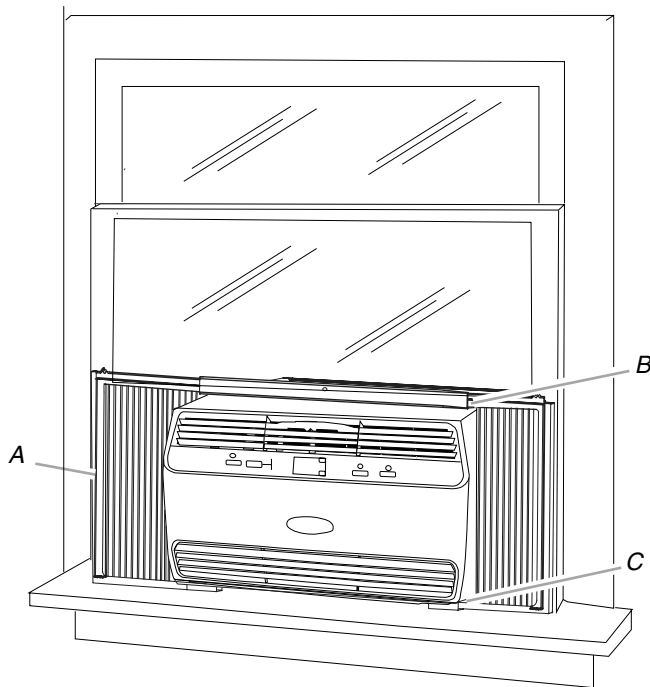
- Using 2 or more people, gently place the air conditioner into the window and center it according to the center line marked earlier. Check that the bottom channel of the air conditioner is against the windowsill.



A. Air conditioner C. Windowsill
B. Bottom channel D. Outside

- Lower the window sash behind the top channel to hold the air conditioner in place.

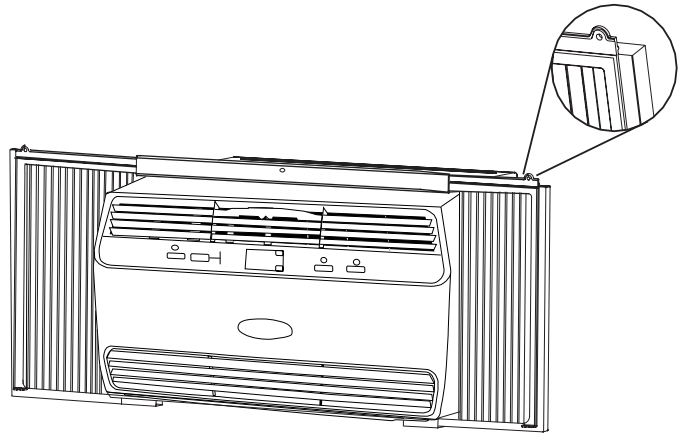
NOTE: Your model may differ from the one shown.



A. Side curtain against window channel
B. Window sash behind top channel
C. Bottom channel in behind windowsill

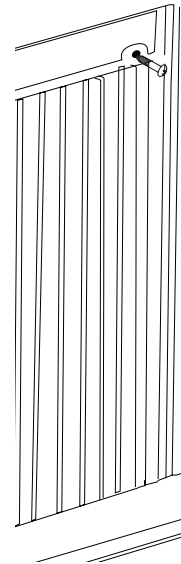
Attach Side Curtains to Window

- Pull the right-hand curtain out until it fits into the window channel.
- Use a $\frac{1}{8}$ " drill bit to drill a starter hole through the top hole in the side curtain and into the window sash.



- Insert one of the $\frac{3}{4}$ " screws through the top hole of the right-hand curtain and into the window sash.

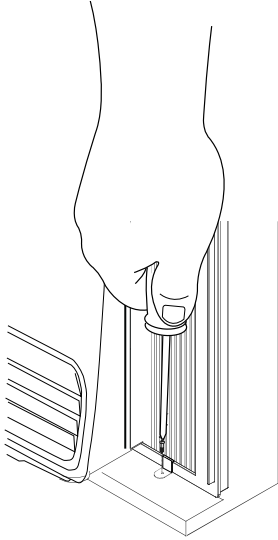
Side Curtain Screws



- Repeat steps 1 through 3 for attachment of the left-hand curtain.

Attach Side Curtains to Windowsill—Side Curtain Bracket (on some models)

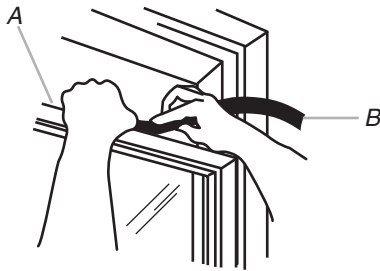
1. Slide the side bracket over the bottom of the right-hand curtain frame.
2. Use $\frac{1}{8}$ " drill bit to drill a starter hole through the hole in the side bracket and into the windowsill.
3. Using a $\frac{3}{4}$ " screw, attach the side bracket to the windowsill.



4. Repeat for side bracket installation on the left-hand side of the air conditioner.

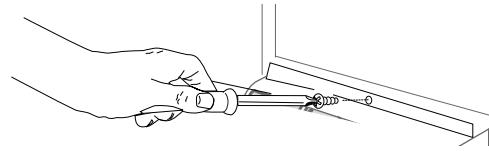
Complete Installation

1. Insert the foam seal without adhesive strip behind the top of the lower window sash and against the glass of the upper window.

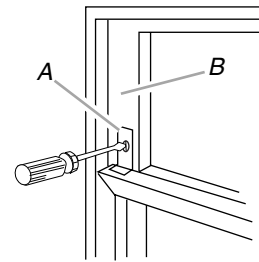


A. Top of lower window sash
B. Foam seal

2. Use $\frac{1}{8}$ " drill bit to drill a starter hole through the hole in the top channel and into the window sash.
3. Attach the top channel to the window sash with a $\frac{3}{4}$ " screw to secure the window.



4. Place the window lock bracket as shown. Use a $\frac{1}{8}$ " drill bit to drill a starter hole through the hole in the window lock bracket and into the upper window.
5. Attach the window lock bracket to the upper window with one $\frac{31}{32}$ " screw to secure the window in place.



A. Window lock bracket
B. Upper window

⚠ WARNING



Electrical Shock Hazard

Plug into a grounded 3 prong outlet.

Do not remove ground prong.

Do not use an adapter.

Do not use an extension cord.

Failure to follow these instructions can result in death, fire, or electrical shock.

6. Plug into a grounded 3 prong outlet.
7. Press RESET on the power supply cord. See "Electrical Requirements."
8. Remove the clear plastic film from the control panel and plastic front.

AIR CONDITIONER USE

Operating your air conditioner properly helps you to obtain the best possible results.

This section explains proper air conditioner operation.

IMPORTANT:

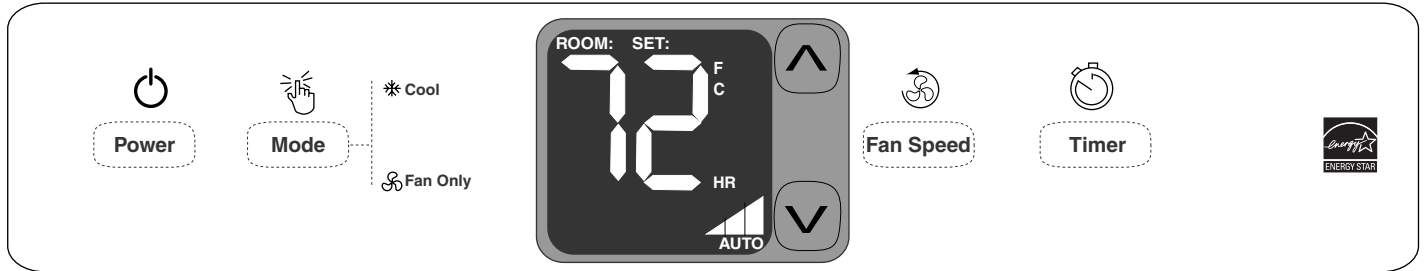
- If you turn off the air conditioner, wait at least 3 minutes before turning it back on. This keeps the air conditioner from blowing a fuse or tripping a circuit breaker.

- Do not try to operate your air conditioner in the Cool, Eco (on some models) or Overnight (on some models) mode when outside temperature is below 65°F (18°C). The inside evaporator coil will freeze up, and the air conditioner will not operate properly.

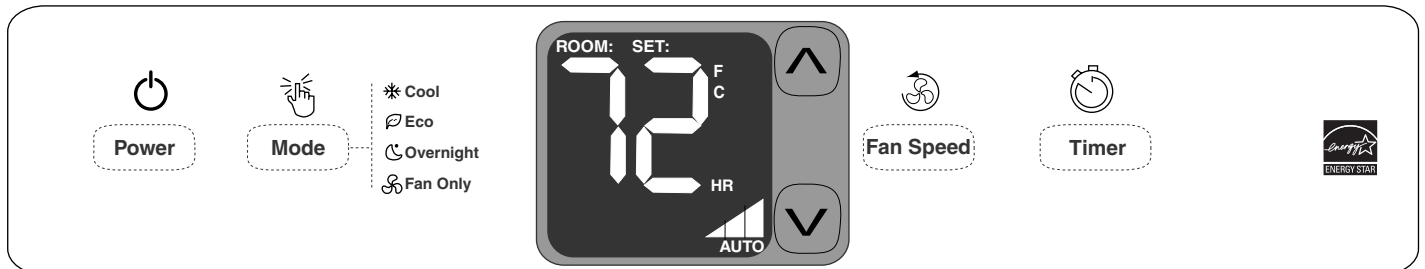
NOTE: In the event of a power failure, your air conditioner will operate at the previous settings when the power is restored.

Starting Your Air Conditioner

5500 Btu

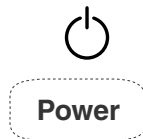


6300 to 12k Btu



NOTE: When the air conditioner is in Standby mode, the red Power LED will be lit.

1. Press POWER to turn on the air conditioner. The red Power LED will change to blue.



NOTE: When the air conditioner is first plugged in, the power LED will be red, showing the unit in standby mode. When the air conditioner is turned on for the first time after it is plugged in, the power LED will change to blue, the mode will be set to Cool and the fan speed will be set to Auto.

The display will show the factory-set temperature of 72°F (22°C) for 5 seconds and then will show the current room temperature.

When the air conditioner is turned on at all other times, the unit will run according to the previous settings. The display will show the previous settings for 5 seconds, and then show the current room temperature.

2. Select mode. See “Mode.”
3. Set temperature. See “Temperature.”
4. Select fan speed. See “Fan Speed.”

NOTES:

- Auto fan speed and Temperature cannot be selected in Fan Only mode.
- In Eco (on some models) and Cool modes, Auto fan speed is selected automatically.

Mode

1. Press MODE until you see the indicator light glow for the desired setting.
2. Choose Cool, Eco (on some models), Overnight (on some models) or Fan Only.
 - Cool—Cools the room. Fan Speed is set to Auto. Press the up or down arrow button to adjust the temperature.
 - Eco (on some models)—Saves energy. The compressor and fan runs until the set temperature is reached, and then the compressor turns off. The fan runs an additional minute before turning off. Automatically sets the fan speed to Auto. Press the up or down arrow button to adjust the temperature.
 - Overnight (8 hours) (on some models)—Automatically raises the set temperature by 4°F (2°C). The Fan Speed is set to Low. Press the up or down arrow button to adjust the temperature. The set temperature increases 2°F (1°C) per hour during the first 2 hours, and remains at this temperature setting for the next 6 hours.

When Overnight mode ends, the air conditioner will go into Cool mode and the thermostat setting will return to the original Overnight mode temperature setting.

NOTE: The LEDs on the control panel will power down 10 seconds after Overnight mode is set. To reactivate the LEDs and illuminate the control panel, touch any button on the control panel or the remote control.

- Fan Only—Only the fan runs. Press FAN SPEED to select Low, Medium or High. The Bar LED shows 1 bar for Low, 2 bars for Medium and 3 bars for High fan speed. The temperature display shows “1” for Low, “2” for Medium and “3” for High fan speed. After 5 seconds, the display shows the current room temperature.

NOTES:

- Auto fan speed and Temperature cannot be selected in Fan Only mode.
- In Eco (on some models) and Cool modes, Auto fan speed is selected automatically.

NOTE: Your model may differ from the one shown.



NOTE: After 5 seconds, display will show the current room temperature.

Fan Speed

1. Press FAN SPEED until you see the Bar LED display for the desired setting.
2. Choose High, Med, Low or Auto.
 - Low—Low cooling—1 bar and “1” shows in the temperature display
 - Med—Normal cooling—2 bars and “2” shows in the temperature display
 - High—Maximum cooling—3 bars and “3” shows in the temperature display
 - Auto—Automatically controls the fan speed depending on the current room temperature and temperature control setting. “A” shows in the temperature display and 1, 2 or 3 bars display the current fan speed.

NOTES:

- Auto fan speed and Temperature cannot be selected in Fan Only mode.

- In Eco (on some models) and Cool modes, Auto fan speed is selected automatically.
- In Overnight (on some models), Low fan speed is selected automatically.



NOTE: After 5 seconds, the display will show the current room temperature.

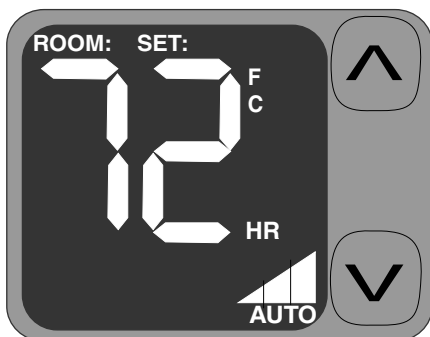
Temperature

- Press the up arrow button to raise the temperature. Each time you press or hold the up arrow button, the temperature will go up 1°F (1°C) until it reaches 86°F (30°C).

NOTE: After 5 seconds, the display will show the current room temperature.

- Press the down arrow button to lower the temperature. Each time you press or hold the down arrow button, the temperature will go down 1°F (1°C) until it reaches 61°F (16°C).

NOTE: After 5 seconds, the display will show the current room temperature.



To change from Fahrenheit to Celsius

Press and hold the up and down arrow buttons to change from F° to C°. Release the buttons after C° turns on.

Timer

To set a 1 to 24-hour delay until the air conditioner turns off (the air conditioner must be On):

1. Press TIMER. The display will show remaining hours before the air conditioner will turn off.
2. Press the up or down arrow button to change the delay time from 1 to 24 hours.
3. Press TIMER again while the time remaining is shown on the display or wait 5 seconds for the unit to automatically save the settings.

NOTE: When the air conditioner turns off, the red LED on the Power button lights for Standby mode. The Timer LED turns off.

4. To view the time remaining before the air conditioner turns off, press TIMER once. Pressing Timer again while the time remaining is shown on the display will cancel the setting.

Set the air conditioner to turn on, keeping the previous settings:

1. Turn off the air conditioner.
2. Press TIMER. The display will show remaining hours before the air conditioner will turn on.
3. Press the up or down arrow button to change the delay time from 1 to 24 hours.
4. Press TIMER again while the time remaining is shown on the display, or wait 5 seconds for the unit to automatically save the settings. The display will show the current room temperature. The Timer LED will remain on.
5. To view the time remaining before the air conditioner turns on, press TIMER once. Pressing Timer again while the time remaining is shown on the display will cancel the setting.

Set the air conditioner to turn on, changing the previous settings:

1. Adjust the mode to Cool, Eco (on some models), Overnight (on some models) or Fan Only.
2. Press the up or down arrow button to set the temperature between 61°F and 86°F (16°C and 30°C).
3. Adjust the fan speed to Low, Medium, High or Auto.

NOTES:

- Auto fan speed and Temperature cannot be selected in Fan Only mode.
 - In Eco (on some models) and Cool modes, Auto fan speed is selected automatically.
4. Turn off the air conditioner.
 5. Press TIMER. The display will show the remaining hours before the air conditioner will turn on.
 6. Press the up or down arrow button to change the delay time from 1 to 24 hours.
 7. Press TIMER again while the time remaining is shown on the display, or wait 5 seconds for the unit to automatically save the settings. The Timer LED will remain on.
 8. To view the time remaining before the air conditioner turns on, press TIMER once. Pressing Timer again while the time remaining is shown on the display will cancel the setting.

Cancel Timer:

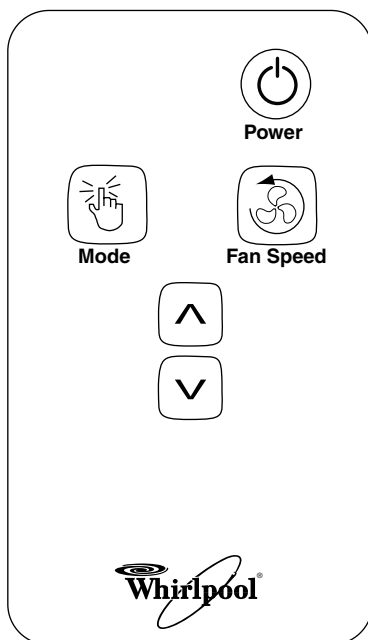
Press TIMER twice to cancel the Timer.



Timer

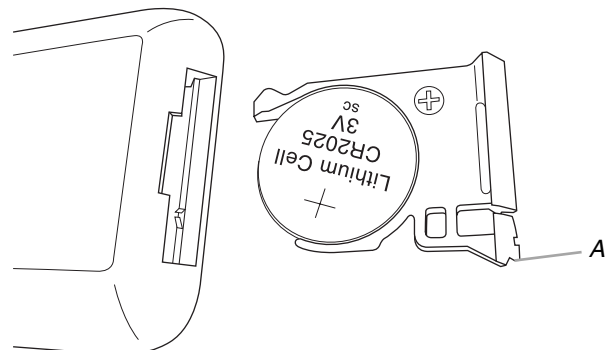
Using the Remote Control

NOTE: Remote control may differ in appearance.



To remove the battery, place the remote control face down. Using your thumbnail, press and hold the tab to release the battery door, and pull out battery door with your index finger.

To reinstall the battery, place the battery into the battery door as shown in the following illustration, matching the positive (+) side of the battery with the positive (+) side of the battery door. Slide the battery door into the remote control.



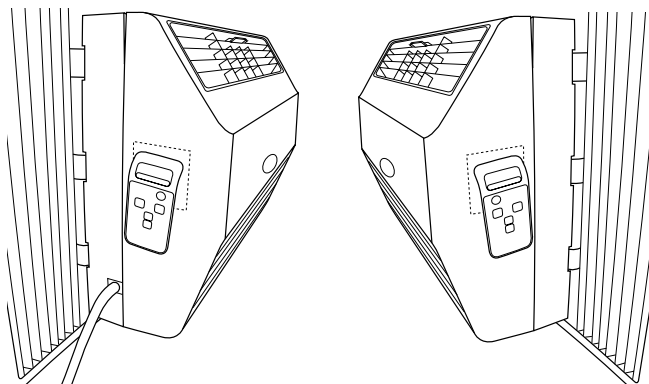
A. Tab

NOTE: One CR2025 battery (included) powers the remote control. Replace battery after 6 months of use, or when the blue light flashes 5 times every 10 minutes.

Storing the Remote Control

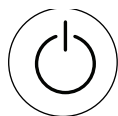
Store the remote control by placing the back side, containing a magnet, against the side of the air conditioner cabinet in the locations shown in the following illustration.

NOTE: The dotted lines do not appear on the unit cabinet. They show the locations of the metal plates in the illustration only.



Power

1. Press POWER to turn on air conditioner.
2. Press POWER again to turn off the air conditioner.



Power

Mode

Press MODE to choose Cool, Eco (on some models), Overnight (on some models) or Fan Only.



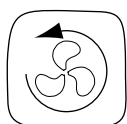
Mode

Fan Speed

1. Press FAN SPEED until you see the Bar LED on the air conditioner control panel display for the desired setting.
2. Choose Low, Medium, High or Auto.

NOTES:

- Auto fan speed and Temperature cannot be selected in Fan Only mode.
- In Eco (on some models) and Cool modes, Auto fan speed is selected automatically.



Fan Speed

NOTE: After 5 seconds, the display on the air conditioner control panel will show the current room temperature.

Temperature

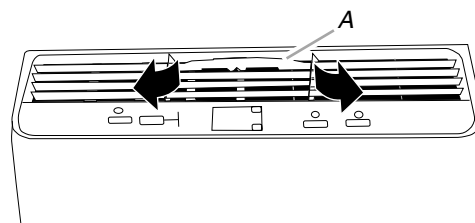
- Press the up arrow button to raise the temperature. Each time you press or hold the up arrow button, the temperature will go up 1°F (1°C) until it reaches 86°F (30°C).



- Press the down arrow button to lower the temperature. Each time you press or hold the down arrow button, the temperature will go down 1°F (1°C) until it reaches 61°F (16°C).

Changing Air Direction

Use tab to direct the air right or left.



A. Tab

AIR CONDITIONER CARE

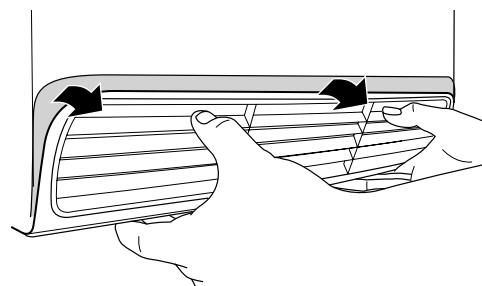
Your new air conditioner is designed to give you many years of dependable service. This section tells you how to clean and care for your air conditioner properly. Call your local authorized dealer for an annual checkup. Remember ... the cost of this service call is your responsibility.

Cleaning the Air Filter

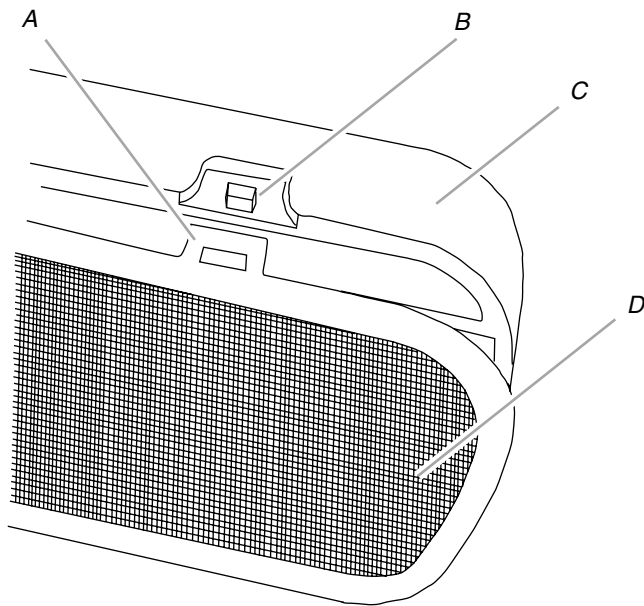
The air filter is removable for easy cleaning. A clean filter helps remove dust, lint, and other particles from the air and is important for best cooling and operating efficiency. Check the filter every 2 weeks to see whether it needs cleaning.

NOTE: Do not operate the air conditioner without the filter in place.

1. Turn off the air conditioner.
2. Remove the air filter by pressing down on the tabs on the air intake grille and pulling the grille away from the air conditioner.



- Remove the filter from the grille by lifting to release the slotted tabs on the top and bottom of the grille.



A. Slotted tab
B. Lift slotted tab to remove.
C. Air intake grille
D. Air filter

- Use a vacuum cleaner to clean air filter. If the air filter is very dirty, wash it in warm water with a mild detergent.
NOTE: Do not wash the air filter in the dishwasher or use any chemical cleaners. Air dry the air filter completely before replacing to ensure maximum efficiency.
- Reattach the air filter to the air intake grille.
- Insert the air intake grille into the slots on the air conditioner and snap into place.

Cleaning the Front Panel

- Turn off the air conditioner.
- Clean the front panel with a soft, damp cloth.
- Air dry the front panel completely.

Repairing Paint Damage

Check once or twice a year for paint damage. This is very important, especially in areas near oceans or where rust is a problem. If needed, touch up with a good grade enamel paint.

Annual Maintenance

Your air conditioner needs annual maintenance to help ensure steady, top performance throughout the year. Call your local authorized dealer to schedule an annual checkup. The expense of an annual inspection is your responsibility.

TROUBLESHOOTING

Before calling for service, try the suggestions below to see whether you can solve your problem without outside help.

Air conditioner will not operate

⚠ WARNING



Electrical Shock Hazard

Plug into a grounded 3 prong outlet.

Do not remove ground prong.

Do not use an adapter.

Do not use an extension cord.

Failure to follow these instructions can result in death, fire, or electrical shock.

- The power supply cord is unplugged. Plug into a grounded 3 prong outlet. See "Electrical Requirements."
- The power supply cord has tripped (**Reset button has popped out**). Press and release RESET (listen for click; Reset button will latch and on some devices, a green light will turn on) to resume operation.
- A household fuse has blown, or circuit breaker has tripped. Replace the fuse or reset the circuit breaker. If the problem continues, call an electrician. See "Electrical Requirements."
- The Power button has not been pressed. Press POWER.
- The local power has failed. Wait for power to be restored.

Air conditioner blows fuses or trips circuit breakers

- Too many appliances are being used on the same circuit.** Unplug or relocate appliances that share the same circuit.
- Time-delay fuse or circuit breaker of the wrong capacity is being used.** Replace with a time-delay fuse or circuit breaker of the correct capacity. See "Electrical Requirements."
- An extension cord is being used.** Do not use an extension cord with this or any other appliance.
- You are trying to restart the air conditioner too soon after turning off the air conditioner.** Wait at least 3 minutes after turning off the air conditioner before trying to restart the air conditioner.

Air conditioner power supply cord trips (Reset button pops out)

- Disturbances in your electrical current can trip (Reset button will pop out) the power supply cord.** Press and release RESET (listen for click; Reset button will latch and on some devices, a green light will turn on) to resume operation.
- Electrical overloading, overheating, cord pinching or aging can trip (Reset button will pop out) the power supply cord.** After correcting the problem, press and release RESET (listen for click; Reset button will latch and on some devices, a green light will turn on) to resume operation.

NOTE: A damaged power supply cord must be replaced with a new power supply cord obtained from the product manufacturer and must not be repaired.

Air conditioner seems to run too much

- **The current air conditioner replaced an older model.** The use of more efficient components may cause the air conditioner to run longer than an older model, but the total energy consumption will be less. Newer air conditioners do not emit the “blast” of cold air you may be accustomed to from older air conditioners, but this is not an indication of lesser cooling capacity or efficiency. Refer to the efficiency rating (EER) and capacity rating (in Btu/h) marked on the air conditioner.
- **The air conditioner is in a heavily occupied room, or heat-producing appliances are in use in the room.** Use exhaust vent fans while cooking or bathing and try not to use heat-producing appliances during the hottest part of the day. A higher capacity air conditioner may be required, depending on the size of the room being cooled.

Air conditioner cycles on and off too much or does not cool room in cooling mode

- **The air conditioner is not properly sized for your room.** Check the cooling capabilities of your window air conditioner. Window air conditioners are not designed to cool multiple rooms.
- **The filter is dirty or obstructed by debris.** Clean the filter.
- **The inside evaporator and outside condenser coils are dirty or obstructed by debris.** See “Annual Maintenance.”

- **There is excessive heat or moisture (open container cooking, showers, etc.) in the room.** Use a fan to exhaust heat or moisture from the room. Try not to use heat-producing appliances during the hottest part of the day.
- **The louvers are blocked.** Install the air conditioner in a location where the louvers are free from curtains, blinds, furniture, etc.
- **The outside temperature is below 65°F (18°C).** Do not try to operate your air conditioner in the cooling mode when the outside temperature is below 65°F (18°C).
- **The temperature of the room you are trying to cool is extremely hot.** Allow extra time for the air conditioner to cool off a very hot room.
- **Windows or doors to the outside are open.** Close all windows and doors.
- **The temperature setting is not set to a cool enough setting.** Adjust the temperature to a cooler setting by pressing the minus button to reduce the temperature. Set the Fan Speed control to the highest setting.

Water drips from cabinet into your house

- **The air conditioner is not properly leveled.** The air conditioner should slope slightly downward toward the outside. Level the air conditioner to provide a downward slope toward the outside to ensure proper drainage. See the Installation Instructions.
NOTE: Do not drill a hole into the bottom of the metal base and condensate pan.

Normal Sounds

When your air conditioner is operating normally, you may hear sounds such as:

- Droplets of water hitting the condenser, causing a pinging or clicking sound. The water droplets help cool the condenser.
- Air movement from the fan.

- Clicks from the thermostat cycle.
- Vibrations or noise due to poor wall or window construction.
- A high-pitched hum or pulsating noise caused by the modern high-efficiency compressor cycling on and off.

ASSISTANCE OR SERVICE

Before calling for assistance or service, please check “Troubleshooting.” It may save you the cost of a service call. If you still need help, follow the instructions below.

When calling, please know the purchase date and the complete model and serial number of your appliance. This information will help us to better respond to your request.

If you need replacement parts

If you need to order replacement parts, we recommend that you use only factory-specified replacement parts. Factory-specified replacement parts will fit right and work right because they are made with the same precision used to build every new appliance.

To locate factory-specified replacement parts in your area, call your nearest designated service center.

In the U.S.A.

Call the Whirlpool Customer eXperience Center toll free: **1-800-253-1301**. In Puerto Rico, call **1-787-999-7400**.

Our consultants provide assistance with:

- Features and specifications on our full line of appliances.
- Installation information.
- Use and maintenance procedures.
- Accessory and repair parts sales.
- Specialized customer assistance (Spanish speaking, hearing impaired, limited vision, etc.).
- Referrals to local dealers, repair parts distributors and service companies. Whirlpool designated service technicians are trained to fulfill the product warranty and provide after-warranty service, anywhere in the United States.

To locate the Whirlpool designated service company in your area, you can also look in your telephone directory Yellow Pages.

For further assistance

If you need further assistance, you can write to Whirlpool Corporation with any questions or concerns at:

Whirlpool Brand Home Appliances
Customer eXperience Center
553 Benson Road
Benton Harbor, MI 49022-2692

Please include a daytime phone number in your correspondence.

In Canada

Call the Whirlpool Canada LP Customer eXperience Centre toll free: **1-800-807-6777**.

Our consultants provide assistance with:

- Features and specifications on our full line of appliances.
- Use and maintenance procedures.
- Accessory and repair parts sales.
- Referrals to local dealers, repair parts distributors, and service companies. Whirlpool Canada LP designated service technicians are trained to fulfill the product warranty and provide after-warranty service, anywhere in Canada.

For further assistance

If you need further assistance, you can write to Whirlpool Canada LP with any questions or concerns at:

Customer eXperience Centre
Whirlpool Canada LP
200 - 6750 Century Ave.
Mississauga, Ontario L5N 0B7

Please include a daytime phone number in your correspondence.

WHIRLPOOL WINDOW AIR CONDITIONER LIMITED WARRANTY

ONE YEAR LIMITED WARRANTY

For one year from the original date of purchase, when this window air conditioner is installed, operated and maintained according to the instructions attached to or furnished with the product, Whirlpool Corporation or Whirlpool Canada LP (hereafter "Whirlpool") will, at its sole discretion, either pay for factory specified parts and repair labor to correct defects in materials or workmanship or replace the product with a comparable product that is new or refurbished. If replaced, the unit will be covered by the remaining one-year limited warranty of the original unit. See service instructions below.

YOUR SOLE AND EXCLUSIVE REMEDY UNDER THE LIMITED WARRANTY SHALL BE PRODUCT REPAIR OR REPLACEMENT AT OUR DISCRETION AS PROVIDED HEREIN. Service must be provided by a Whirlpool designated service company. This limited warranty is valid in the United States, Puerto Rico or Canada and applies only when the window air conditioner is used in the country in which it was purchased. This limited warranty is effective from the date of the original consumer purchase. Proof of original purchase date is required to obtain service or replacement under this limited warranty.

ITEMS EXCLUDED FROM WARRANTY

This limited warranty does not cover:

1. Service calls to correct the installation of your window air conditioner, to instruct you how to use your product, to replace or repair house fuses, reset circuit breakers or to correct house wiring or plumbing.
2. Service calls to repair or replace air filters. Consumable parts are excluded from warranty coverage.
3. Repairs or replacement when your window air conditioner is used for other than normal, single-family household use or when it is used in a manner contrary to published user or operator instructions and/or installation instructions.
4. Damage resulting from accident, alteration, misuse, abuse, fire, flood, acts of God, improper installation, installation not in accordance with electrical or plumbing codes, or use of consumables or cleaning products not approved by Whirlpool Corporation.
5. Cosmetic damage, including scratches, dents, chips or other damage to the finish of your window air conditioner, unless such damage results from defects in materials or workmanship and is reported to Whirlpool within 30 days from the date of purchase.
6. Repairs to parts or systems resulting from unauthorized modifications made to the product.
7. Expenses for travel and transportation for product service if your window air conditioner is located in a remote area where service by an authorized Whirlpool servicer is not available.
8. The removal and installation of your window air conditioner if it is installed in an inaccessible location or is not installed in accordance with Whirlpool published installation instructions.
9. Window air conditioners with original model/serial numbers that have been removed, altered or cannot be easily determined. This warranty is void if the factory applied serial number has been altered or removed from your appliance.

The cost of repair or replacement under these excluded circumstances shall be borne by the customer.

IF YOUR WHIRLPOOL WINDOW AIR CONDITIONER SHOULD CEASE TO OPERATE WITHIN THE FIRST YEAR OF OWNERSHIP:

1. Call our Customer eXperience Center at **1-800-253-1301** (toll-free in the US) OR **1-800-807-6777** (toll-free in Canada) OR **1-787-999-7400** (in Puerto Rico).
2. Give the consultant your model, serial number and shipping address.
3. The consultant will advise whether the window air conditioner qualifies for in-home repair or replacement.
4. In the event of replacement, you may be directed to forward the product to a Whirlpool designated service center. You must return the product in the original or equivalent packaging; prepay shipping/freight charges to the designated service center; and insure the shipment, Whirlpool will not be responsible if the product is lost or damaged in transit. Please include your name and address on a piece of paper, along with a copy of the proof of purchase (register receipt, charge slip, etc.).
5. Whirlpool will deliver the repaired product or, at its discretion, a comparable new or refurbished product to your door free of charge.

DISCLAIMER OF IMPLIED WARRANTIES

IMPLIED WARRANTIES, INCLUDING ANY IMPLIED WARRANTY OF MERCHANTABILITY OR IMPLIED WARRANTY OF FITNESS FOR A PARTICULAR PURPOSE, ARE LIMITED TO ONE YEAR OR THE SHORTEST PERIOD ALLOWED BY LAW. Some states and provinces do not allow limitations on the duration of implied warranties of merchantability or fitness, so this limitation may not apply to you. This warranty gives you specific legal rights, and you also may have other rights that vary from state to state or province to province.

LIMITATION OF REMEDIES; EXCLUSION OF INCIDENTAL AND CONSEQUENTIAL DAMAGES

YOUR SOLE AND EXCLUSIVE REMEDY UNDER THE LIMITED WARRANTY SHALL BE PRODUCT REPAIR OR REPLACEMENT AT OUR DISCRETION AS PROVIDED HEREIN. WHIRLPOOL SHALL NOT BE LIABLE FOR INCIDENTAL OR CONSEQUENTIAL DAMAGES. Some states and provinces do not allow the exclusion or limitation of incidental or consequential damages, so these limitations may not apply to you. This warranty gives you specific legal rights, and you also may have other rights that vary from state to state or province to province.

Outside the 50 United States, Puerto Rico and Canada, this warranty does not apply. Contact your authorized Whirlpool dealer to determine if another warranty applies.

If you need service, first see the "Troubleshooting" section of the Use & Care Guide. Additional help can be found by checking the "Assistance or Service" section or by calling Whirlpool. In the U.S.A call **1-800-253-1301**. In Canada call **1-800-807-6777**. In Puerto Rico call **1-787-999-7400**. 11/10

Keep this book and your sales slip together for future reference. You must provide proof of purchase or installation date for in-warranty service.

Write down the following information about your major appliance to better help you obtain assistance or service if you ever need it. You will need to know your complete model number and serial number. You can find this information on the model and serial number label located on the product.

Dealer name _____
Address _____
Phone number _____
Model number _____
Serial number _____
Purchase date _____

SEGURIDAD DEL ACONDICIONADOR DE AIRE

Su seguridad y la seguridad de los demás es muy importante.

Hemos incluido muchos mensajes importantes de seguridad en este manual y en su electrodoméstico. Lea y obedezca siempre todos los mensajes de seguridad.



Este es el símbolo de advertencia de seguridad.

Este símbolo le llama la atención sobre peligros potenciales que pueden ocasionar la muerte o una lesión a usted y a los demás.

Todos los mensajes de seguridad irán a continuación del símbolo de advertencia de seguridad y de la palabra "PELIGRO" o "ADVERTENCIA". Estas palabras significan:

 **PELIGRO**

Si no sigue las instrucciones de inmediato, usted puede morir o sufrir una lesión grave.

 **ADVERTENCIA**

Si no sigue las instrucciones, usted puede morir o sufrir una lesión grave.

Todos los mensajes de seguridad le dirán el peligro potencial, le dirán cómo reducir las posibilidades de sufrir una lesión y lo que puede suceder si no se siguen las instrucciones.

INSTRUCCIONES IMPORTANTES DE SEGURIDAD

ADVERTENCIA: Para reducir el riesgo de incendio, choque eléctrico o lesiones personales al usar su acondicionador de aire, siga estas precauciones básicas:

- Conecte a un contacto de pared de conexión a tierra de 3 terminales.
- No quite el terminal de conexión a tierra.
- No use un adaptador.
- No use un cable eléctrico de extensión.
- Desconecte el acondicionador de aire antes de darle servicio.
- Use dos o más personas para mover e instalar el acondicionador de aire.

CONSERVE ESTAS INSTRUCCIONES

REGISTRO DEL PRODUCTO

Gracias por comprar un acondicionador de aire para ventana Whirlpool. Para poder servirle mejor, tómese un momento para registrar su producto.

Cuando llame o si lo va a registrar en línea, tenga a mano la fecha de compra y el número completo del modelo y de la serie de su acondicionador de aire. Vea "Ayuda o servicio técnico". El no registrar su producto no hará que disminuyan sus derechos bajo la garantía.

Guarde siempre una copia del recibo de compra, en el cual se muestra la fecha de compra de su acondicionador de aire para ventana Whirlpool. La prueba de compra le asegurará el servicio bajo la garantía.

Usted DEBE registrar su producto para:

- Notificaciones de retirada del mercado—El registro adecuado nos permitirá contactarlo en el caso improbable de una notificación acerca de la seguridad del producto y, en EE.UU., nos asistirá para cumplir con las medidas de Consumer Product Safety Act (Ley de seguridad de productos al consumidor).

- Prueba de propiedad—En el caso de pérdida cubierta por el seguro, tal como incendio, inundación o robo, su registro le servirá como prueba de compra.
 - Garantía de calidad—Llame dentro de los 10 días; cuanto antes tengamos su información, mejor podremos ayudarle.
- No lo olvide**—Sabemos que es una persona ocupada, ¡pero es importante registrar el producto! ¡Es rápido y fácil!

En EE.UU.

Llame al Centro para la eXperiencia del cliente de Whirlpool gratuitamente: **1-800-253-1301**, o regístrelo en línea en <https://www.registration.whirlpoolcorp.com/register/>. En Puerto Rico, llame al **1-787-999-7400**.

REQUISITOS DE INSTALACIÓN

Herramientas y piezas — Todos los modelos

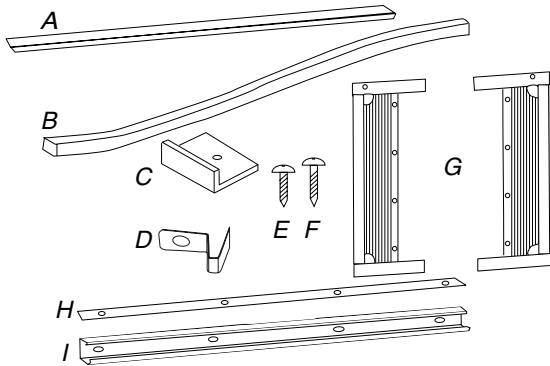
Reúna las herramientas y piezas necesarias antes de comenzar la instalación. Lea y siga las instrucciones provistas con cualquiera de las herramientas enlistadas aquí.

Herramientas necesarias

- Destornillador Phillips
- Tijeras
- Nivel
- Cinta para medir
- Taladro inalámbrico y broca de 1/8"
- Lápiz

Piezas suministradas

Verifique que estén todas las piezas en el paquete de piezas.



- A. Obturador de espuma con tira adhesiva
- B. Obturador de espuma sin tira adhesiva
- C. Soporte de seguridad para la ventana
- D. Soporte de lateral (en algunos modelos)
- E. Tornillos de 3/8" (4) (modelos de 5.500, 6.300 y 8.000 solamente)
- F. Tornillos de 3/4" (5) (se proveen 6 en modelos de 10.000 y 12.000)
- G. Cortinas laterales (2)
- H. Obturador de ranura superior (en algunos modelos)
- I. Ranura superior (en algunos modelos)

Requisitos de ubicación — Todos los modelos

IMPORTANTE: Observe todos los códigos y reglamentos aplicables.

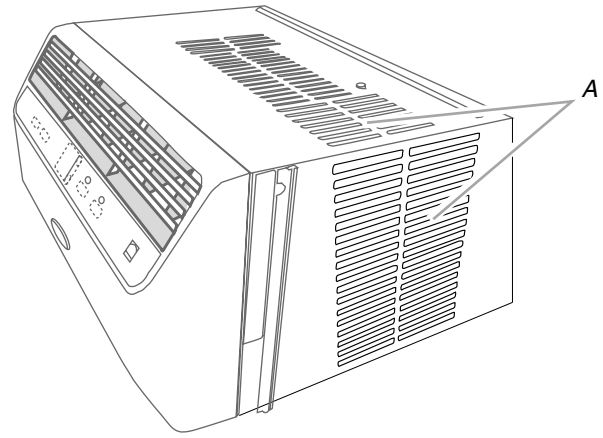
Verifique el lugar donde se instalará el acondicionador de aire. Asegúrese de tener todo lo necesario para una instalación correcta.

El lugar debe tener:

- Contacto con conexión a tierra a no más de 6 pies (183 cm) de donde el cable eléctrico sale del acondicionador de aire.
 - NOTA:** No use un cable eléctrico de extensión.
- Libertad de movimiento del aire en la habitación que desea enfriar.
- Una abertura con la amplitud suficiente para el acondicionador de aire. Se proveen piezas de instalación para las ventanas de guillotina.

- Un soporte adecuado en la pared para el peso del acondicionador de aire. El acondicionador de aire pesa entre 50 lbs a 75 lbs (22,7 kg a 34 kg).

NOTA: No deben obstruirse las rejillas de la carcasa. El aire debe circular libremente a través de las rejillas de la carcasa.



A. Rejillas de la carcasa

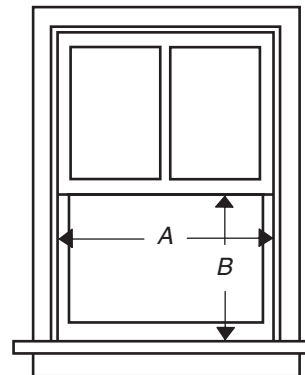
Instalación en la ventana

Medidas de abertura de la ventana — Armazón pequeño: 5.500 Btu, 6.300 Btu y 8.000 Btu:

- Ancho de la abertura de 21" (53,3 cm) como mínimo a 33 1/2" (85 cm) como máximo.
- Altura mínima de la abertura de 13 1/2" (34,3 cm).

Medidas de abertura de la ventana — Armazón grande: 10.000 y 12.000 Btu

- Ancho de la abertura de 24" (61 cm) como mínimo a 36" (91,4 cm).
- Altura mínima de la abertura de 15" (38,1 cm).



- A. Armazón pequeño: 21" (53,3 cm) mínimo; Armazón grande: 24" (61 cm) mínimo
- B. Armazón pequeño: 13 1/2" (34,3 cm) mínimo; Armazón grande: 15" (38,1 cm) mínimo

⚠️ ADVERTENCIA



Peligro de Choque Eléctrico

Conecte a un contacto de pared de conexión a tierra de 3 terminales.

No quite la terminal de conexión a tierra.

No use un adaptador.

No use un cable eléctrico de extensión.

No seguir estas instrucciones puede ocasionar la muerte, incendio o choque eléctrico.

Las clasificaciones eléctricas para su acondicionador de aire están enumeradas en la etiqueta de número del modelo y de serie. La etiqueta con el número de modelo y de serie está ubicada en el lado derecho de la carcasa del acondicionador de aire.

Los requisitos eléctricos específicos se indican en la tabla "Requisitos eléctricos del cable de suministro eléctrico". Siga los requisitos para el tipo de enchufe que se muestra en la tabla.

Cable de suministro eléctrico

Requisitos eléctricos



- 115 voltios (103,5 mínimo a 126,5 máximo)
- 0 a 12 amperios
- Fusible de retardo de 15 amperios o cortacircuitos
- Si la unidad tiene una etiqueta que dice "Circuito simple solamente", úsela solamente con un circuito de contacto simple exclusivo.
- Si no hay disponible un circuito de contacto simple exclusivo, es responsabilidad del cliente encargarse de que un circuito de contacto simple sea instalado por un electricista competente.
- Si la unidad no tiene la etiqueta "Circuito simple solamente", ésta puede usarse en cualquier circuito derivado con el voltaje correcto y la capacidad adecuada de protección de corriente.

Método de conexión a tierra recomendado

Este acondicionador de aire debe estar conectado a tierra. Este acondicionador de aire está equipado con un cable de suministro de energía provisto de un enchufe de tres terminales de conexión a tierra. Para reducir al mínimo un posible riesgo de descarga, el cable deberá ser enchufado en un contacto apropiado de 3 terminales, conectado a tierra de acuerdo con todos los códigos y ordenanzas locales. Si no se dispone de un tomacorriente apropiado, es responsabilidad del cliente hacer instalar un contacto con tres terminales debidamente puesto a tierra por un instalador eléctrico competente.

Es responsabilidad del cliente:

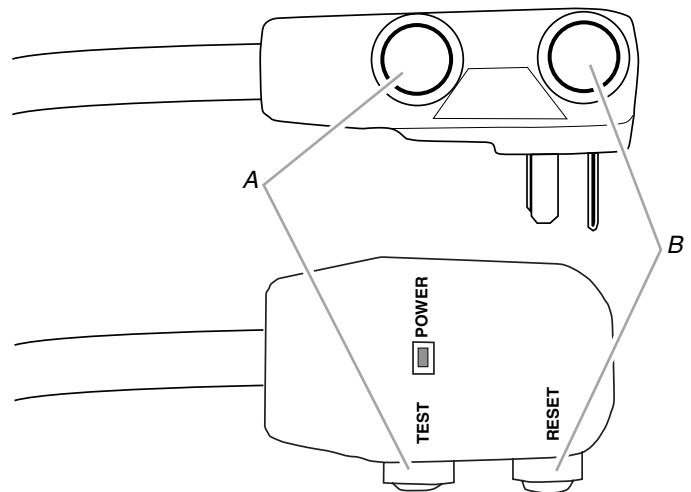
- Ponerse en contacto con un instalador eléctrico calificado.
- Asegurarse de que la conexión eléctrica sea adecuada y de conformidad con el Código Nacional Eléctrico (National Electrical Code), ANSI/NFPA 70 — última edición y con todos los códigos y ordenanzas locales.

Pueden obtenerse copias de las normas señaladas en:

National Fire Protection Association
1 Batterymarch Park
Quincy, MA 02169

Cable de suministro de energía

NOTA: El dispositivo de su acondicionador de aire puede ser diferente del que se ilustra.



A. Botón de prueba

B. Botón de reposición

Este acondicionador de aire para ventana está equipado con un cable de suministro de energía según lo exige UL. Este cable de suministro de energía incluye circuitos electrónicos de tecnología avanzada que detectan la corriente de fuga. Si se aplasta el cable, el elemento electrónico detecta la corriente de fuga y la energía se desconecta en una fracción de segundo.

⚠️ ADVERTENCIA



Peligro de Choque Eléctrico

Conecte a un contacto de pared de conexión a tierra de 3 terminales.

No quite la terminal de conexión a tierra.

No use un adaptador.

No use un cable eléctrico de extensión.

No seguir estas instrucciones puede ocasionar la muerte, incendio o choque eléctrico.

Para poner a prueba el cable de suministro de energía:

1. Enchufe el cable de suministro de energía en un tomacorriente de 3 terminales con conexión a tierra.

2. Presione RESET (Reposición) (en algunos dispositivos se encenderá una luz verde).
3. Presione TEST (Prueba) (escuche el chasquido; el botón de reposición se dispara y en algunos modelos se apagará la luz verde).
4. Presione y suelte RESET (escuche el chasquido; el botón de reposición queda asegurado, y en algunos dispositivos, se encenderá una luz verde). El cable de suministro de energía está listo para su funcionamiento.

NOTAS:

- El botón de reposición debe presionarse para el funcionamiento adecuado.
- El cable de suministro de energía debe ser reemplazado si no se dispara cuando se presione el botón de prueba o cuando falle la reposición.
- No use el cable de suministro de energía como un interruptor de encendido y apagado. El cable de suministro eléctrico ha sido diseñado como un dispositivo de protección.
- Un cable de suministro de energía dañado debe ser reemplazado por un nuevo cable de suministro de energía obtenido del fabricante del producto y no debe ser reparado.
- El cable de suministro eléctrico no tiene piezas que pueda reparar el usuario. Todos los reclamos y desempeño de la garantía quedarán anulados si se abre el estuche resistente a alteraciones.

INSTRUCCIONES DE INSTALACIÓN — MODELOS DE 5.500 BTU, 6.300 BTU Y 8.000 BTU

Desempaque el acondicionador de aire

⚠️ ADVERTENCIA

Peligro de Peso Excesivo

Use dos o más personas para mover e instalar el acondicionador de aire.

No seguir esta instrucción puede ocasionar una lesión en la espalda u otro tipo de lesiones.

Cómo quitar los materiales de empaque

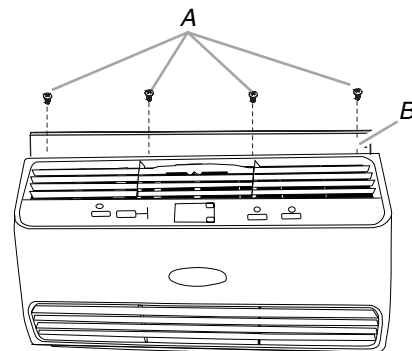
- Manipule con cuidado el acondicionador de aire mientras lo desempaca.
- Corte las 4 bandas de plástico que aseguran la caja.
- Saque la parte superior de la caja y levante el acondicionador de aire de la almohadilla de la base.
- Quite las cintas y los residuos de goma de la superficie antes de encender el acondicionador de aire. Frote un poco de detergente líquido para vajillas sobre el adhesivo con los dedos. Limpie con agua tibia y seque.
- No use instrumentos filosos, alcohol para fricciones, líquidos inflamables o productos de limpieza abrasivos para eliminar los restos de cinta o goma. Estos productos pueden dañar la superficie de su acondicionador de aire.
- Saque los materiales de empaque que se insertaron en las rejillas laterales.
- Deshágase de los materiales de embalaje o recíclelos.

Prepare el acondicionador de aire para la instalación

Instale el canal superior

1. Retire el plástico que cubre el adhesivo en el sello del canal superior y sujete el sello al canal superior, alineando los orificios en el sello y el canal superior.
2. Coloque el canal superior sobre la parte superior del acondicionador de aire, alineando los orificios en el canal superior con los orificios en la parte superior del acondicionador de aire.
3. Sujete el canal superior al acondicionador de aire usando cuatro tornillos de $\frac{3}{8}$ ".

NOTA: Su modelo puede variar del modelo que se muestra.



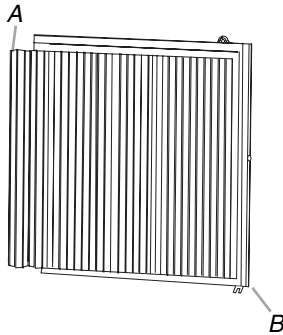
A. Tornillos de $\frac{3}{8}$ "

B. Canal superior

Instalación de las cortinas laterales

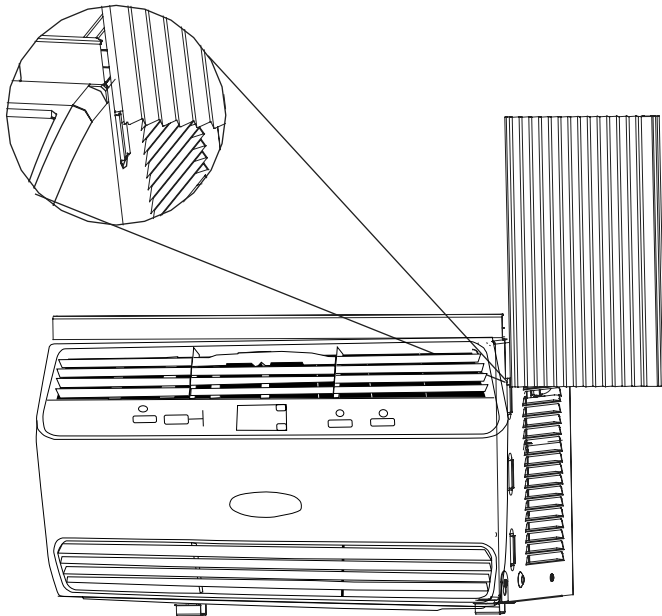
NOTA: Sujete las cortinas al acondicionador de aire antes de colocarlo en la ventana.

1. Coloque el lado con lengüetas de la cortina lateral en el riel que está sobre el lado derecho de la carcasa del acondicionador de aire.

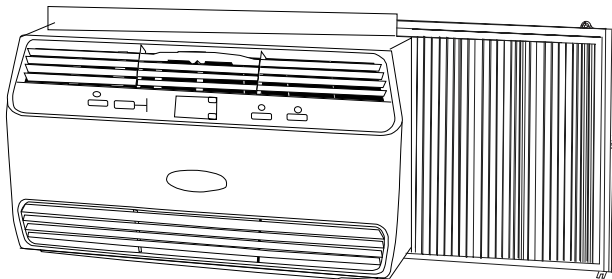


A. Lado con lengüetas de la cortina lateral
B. Marco de la cortina

2. Deslice la cortina lateral hacia abajo hasta que quede alineada con la parte superior e inferior de la carcasa del acondicionador de aire.



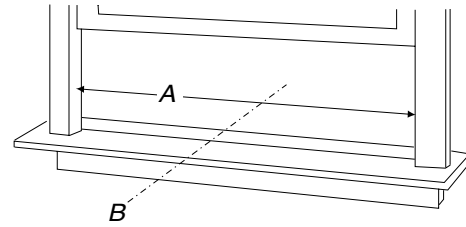
3. Deslice el marco de la cortina lateral dentro del canal superior, en la parte superior del acondicionador de aire, y la guía en la parte inferior del mismo.



4. Repita los pasos previos para la cortina y el marco del lado izquierdo.

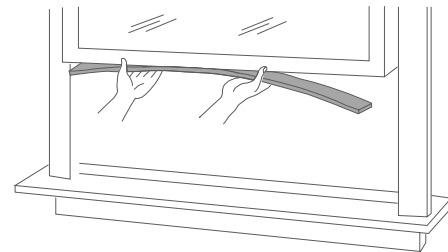
Prepare la ventana para la instalación

1. Mida el ancho de la abertura de la ventana.
2. Marque la línea central en la repisa interior de la ventana.



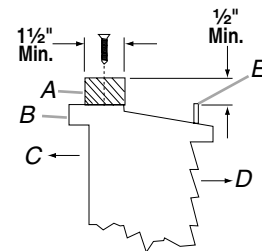
A. Ancho de la abertura de la ventana
B. Línea central

3. Sujete el sello de espuma con una tira adhesiva a la base de la ventana superior.



Prepare la ventana con contraventana u otra obstrucción

1. Siga los pasos descritos en "Prepare la ventana para la instalación".
2. Si es posible, retire el marco de la contraventana u otra obstrucción.
3. Si no puede retirarse el marco de la contraventana u otra obstrucción, sujete una pieza de madera a lo largo de la repisa de la ventana, con el espesor necesario para que el acondicionador de aire se incline hacia el exterior para desaguar la condensación de la unidad.
Debe poder drenarse el agua de lluvia o la condensación que se haya acumulado.



A. Pieza de madera
B. Repisa de la ventana
C. Interior

D. Exterior
E. Marco de la contraventana u otra obstrucción

Coloque el acondicionador de aire en su lugar

⚠ ADVERTENCIA

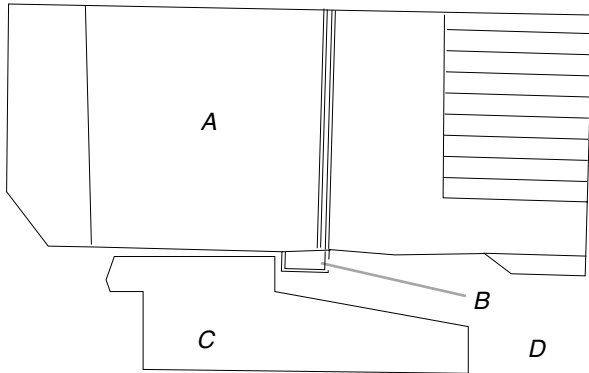
Peligro de Peso Excesivo

Use dos o más personas para mover e instalar el acondicionador de aire.

No seguir esta instrucción puede ocasionar una lesión en la espalda u otro tipo de lesiones.

NOTAS:

- Manipule el acondicionador de aire con cuidado.
 - Cerciérese de que el acondicionador de aire no se caiga de la abertura durante la instalación o la remoción.
 - El lugar de donde sale el cable de suministro eléctrico del acondicionador de aire no deberá estar a más de 6 pies (183 cm) de un contacto con conexión a tierra.
 - No bloquee la toma de aire ni las rejillas de descarga en el panel frontal.
 - No bloquee las rejillas que están en el exterior del acondicionador de aire.
1. Con la ayuda de 2 o más personas, coloque con suavidad el acondicionador de aire en la ventana y céntrelo según la línea central que se marcó anteriormente. Verifique que el canal inferior del acondicionador de aire esté contra la repisa de la ventana.

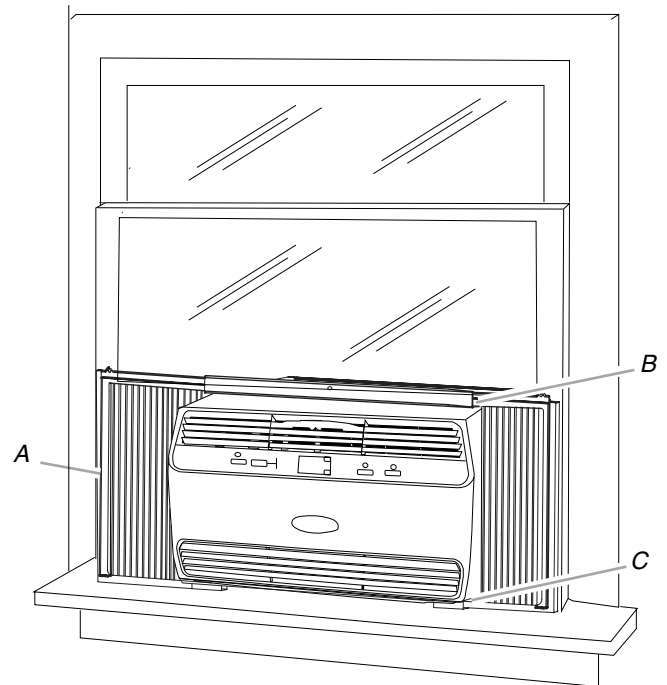


A. Acondicionador de aire
B. Canal inferior

C. Repisa de la ventana
D. Exterior

2. Baje el bastidor de la ventana detrás del canal superior para sostener el acondicionador de aire en su lugar.

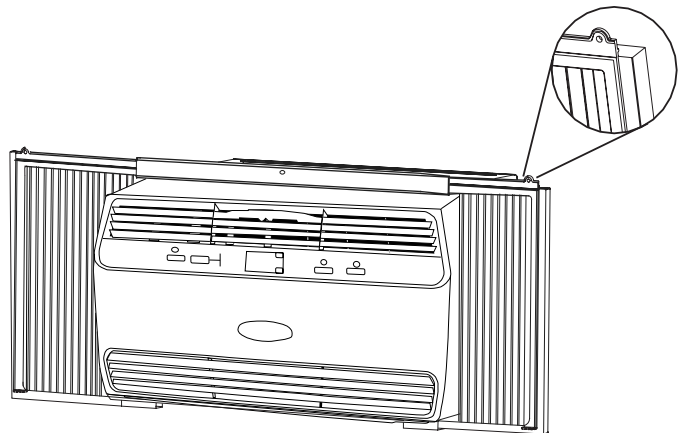
NOTA: Su modelo puede variar del modelo que se muestra.



A. Cortina lateral contra el canal de la ventana
B. Bastidor de la ventana detrás del canal superior
C. Canal inferior detrás de la repisa de la ventana

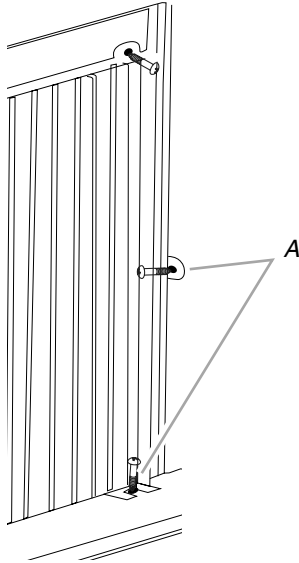
Encaje las cortinas laterales en la ventana

1. Jale la cortina del lado derecho hacia fuera, hasta que encaje en el canal de la ventana.
2. Use una broca de 1/8" para taladrar un primer orificio en el bastidor de la ventana, a través del orificio superior que está en la cortina lateral.



3. Inserte uno de los tornillos de $\frac{3}{4}$ " en el bastidor de la ventana, a través del orificio superior de la cortina del lado derecho.
4. Use una broca de $\frac{1}{8}$ " para taladrar un primer orificio dentro de la repisa o marco de la ventana, ya sea a través de los orificios inferiores o laterales de la cortina del lado derecho.
5. Inserte uno de los tornillos de $\frac{3}{4}$ " en el orificio taladrado en el paso 4.

Tornillos de la cortina lateral

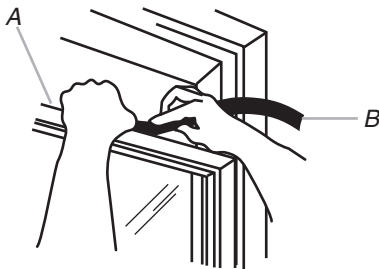


A. Tornillos opcionales

6. Repita los pasos 1 al 5 para sujetar la cortina del lado izquierdo.

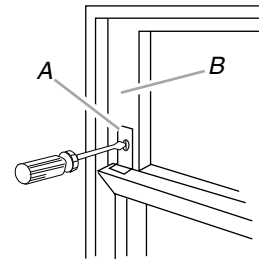
Complete la instalación

1. Inserte el sello de espuma sin la tira adhesiva detrás de la parte superior del bastidor de la ventana inferior y contra el vidrio de la ventana superior.



A. Parte superior del bastidor de la ventana inferior
B. Sello de espuma

2. Coloque el soporte de seguridad de la ventana como se muestra. Use una broca de $\frac{1}{8}$ " para taladrar un primer orificio en la ventana superior, a través del orificio que está en el soporte de seguridad de la ventana.
3. Sujete el soporte de seguridad de la ventana a la ventana superior con un tornillo de $\frac{3}{4}$ " para asegurar la ventana en su lugar.



A. Soporte de seguridad de la ventana
B. Ventana superior

⚠ ADVERTENCIA



Peligro de Choque Eléctrico

Conecte a un contacto de pared de conexión a tierra de 3 terminales.

No quite la terminal de conexión a tierra.

No use un adaptador.

No use un cable eléctrico de extensión.

No seguir estas instrucciones puede ocasionar la muerte, incendio o choque eléctrico.

4. Conecte a un contacto de pared de conexión a tierra de 3 terminales.
5. Presione RESET (Reposición) en el cable de suministro de energía. Vea "Requisitos eléctricos".
6. Saque la película transparente de plástico del panel de control y del frente de plástico.

INSTRUCCIONES DE INSTALACIÓN — MODELOS DE 10.000 BTU Y 12.000 BTU

Desempaque el acondicionador de aire

⚠ ADVERTENCIA

Peligro de Peso Excesivo

Use dos o más personas para mover e instalar el acondicionador de aire.

No seguir esta instrucción puede ocasionar una lesión en la espalda u otro tipo de lesiones.

Cómo quitar los materiales de empaque

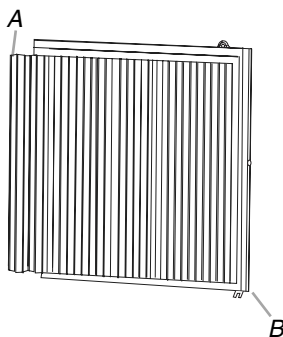
- Manipule con cuidado el acondicionador de aire mientras lo desempaca.
- Corte las 4 bandas de plástico que aseguran la caja.
- Saque la parte superior de la caja y levante el acondicionador de aire de la almohadilla de la base.
- Quite las cintas y los residuos de goma de la superficie antes de encender el acondicionador de aire. Frote un poco de detergente líquido para vajillas sobre el adhesivo con los dedos. Limpie con agua tibia y seque.
- No use instrumentos filosos, alcohol para fricciones, líquidos inflamables o productos de limpieza abrasivos para eliminar los restos de cinta o goma. Estos productos pueden dañar la superficie de su acondicionador de aire.
- Saque los materiales de empaque que se insertaron en las rejillas laterales.
- Deshágase de los materiales de embalaje o recíclelos.

Prepare el acondicionador de aire para la instalación

Instalación de las cortinas laterales

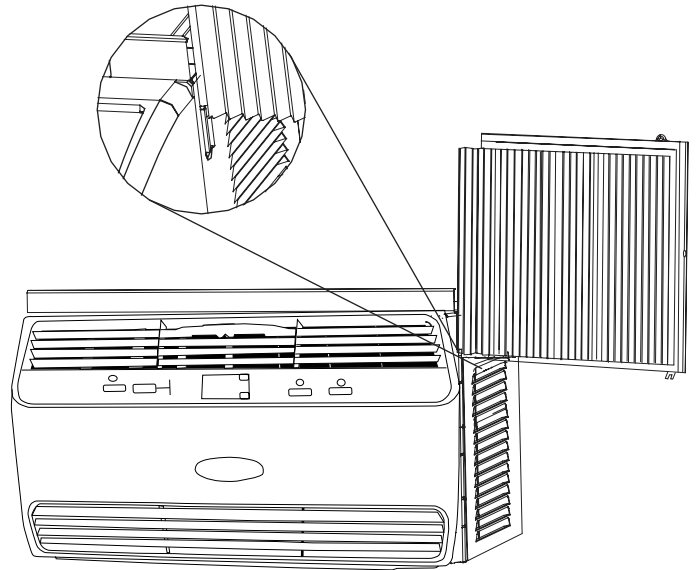
NOTA: Sujete las cortinas al acondicionador de aire antes de colocarlo en la ventana.

1. Coloque el lado con lengüetas de la cortina lateral en el riel que está sobre el lado derecho de la carcasa del acondicionador de aire.

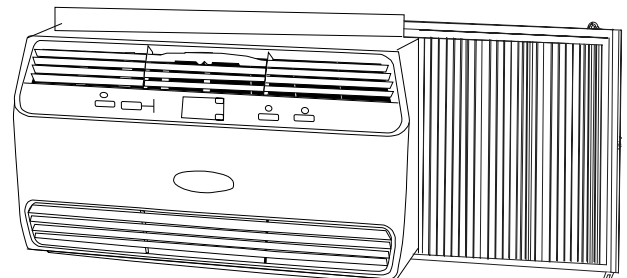


A. Lado con lengüetas de la cortina lateral
B. Marco de la cortina

2. Deslice la cortina lateral hacia abajo en la guía hasta que quede alineada con la parte superior e inferior de la carcasa del acondicionador de aire.



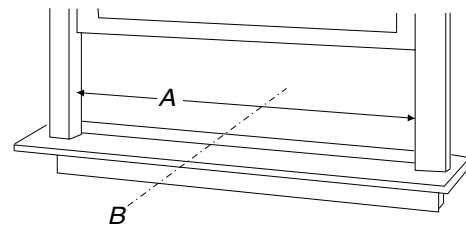
3. Deslice el marco de la cortina lateral dentro del canal superior, en la parte superior del acondicionador de aire, y la guía en la parte inferior del mismo.



4. Repita los pasos de arriba para la cortina y el marco del lado izquierdo.

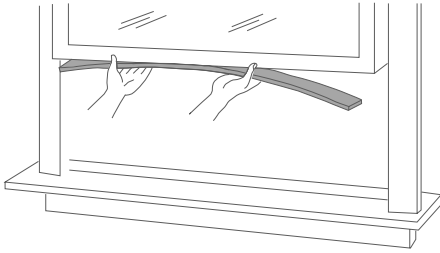
Prepare la ventana para la instalación

1. Mida el ancho de la abertura de la ventana.
2. Marque la línea central en la repisa interior de la ventana.



A. Ancho de la abertura de la ventana
B. Línea central

3. Sujete el sello de espuma con una tira adhesiva a la base de la ventana superior.



Coloque el acondicionador de aire en su lugar

⚠ ADVERTENCIA

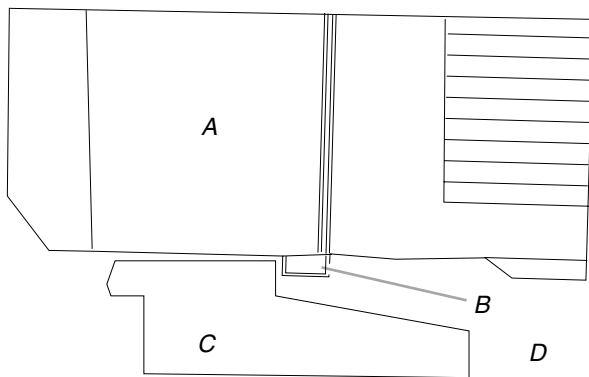
Peligro de Peso Excesivo

Use dos o más personas para mover e instalar el acondicionador de aire.

No seguir esta instrucción puede ocasionar una lesión en la espalda u otro tipo de lesiones.

NOTAS:

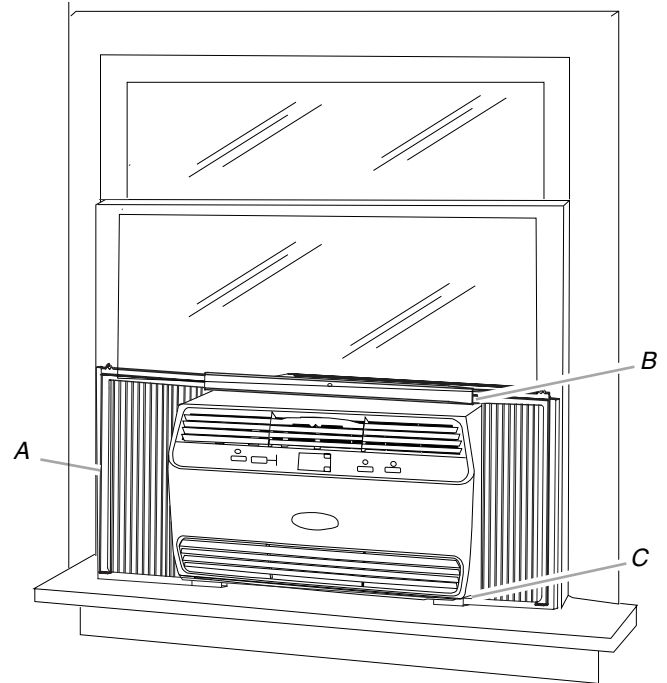
- Manipule el acondicionador de aire con cuidado.
 - Cerciórese de que el acondicionador de aire no se caiga de la abertura durante la instalación o la remoción.
 - El lugar de donde sale el cable de suministro eléctrico del acondicionador de aire no deberá estar a más de 6 pies (183 cm) de un contacto con conexión a tierra.
 - No bloquee la toma de aire ni las rejillas de descarga en el panel frontal.
 - No bloquee las rejillas que están en el exterior del acondicionador de aire.
1. Con la ayuda de 2 o más personas, coloque con suavidad el acondicionador de aire en la ventana y céntrelo según la línea central que se marcó anteriormente. Verifique que el canal inferior del acondicionador de aire esté contra la repisa de la ventana.



A. Acondicionador de aire
B. Canal inferior
C. Repisa de la ventana
D. Exterior

2. Baje el bastidor de la ventana detrás del canal superior para sostener el acondicionador de aire en su lugar.

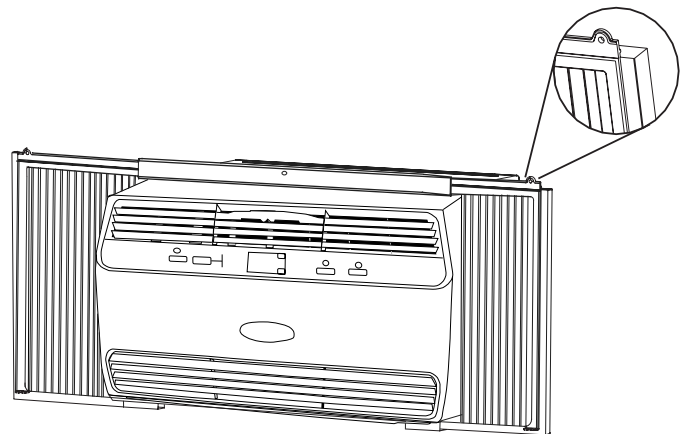
NOTA: Su modelo puede variar del modelo que se muestra.



A. Cortina lateral contra el canal de la ventana
B. Bastidor de la ventana detrás del canal superior
C. Canal inferior detrás de la repisa de la ventana

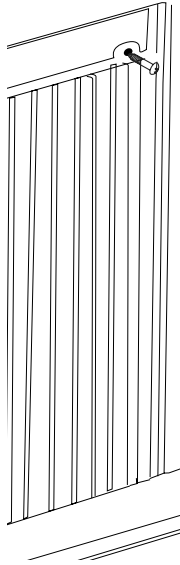
Encaje las cortinas laterales en la ventana

1. Jale la cortina del lado derecho hacia fuera, hasta que encaje en el canal de la ventana.
2. Use una broca de 1/8" para taladrar un primer orificio en el bastidor de la ventana, a través del orificio superior que está en la cortina lateral.



3. Inserte uno de los tornillos de $\frac{3}{4}$ " en el bastidor de la ventana, a través del orificio superior de la cortina del lado derecho.

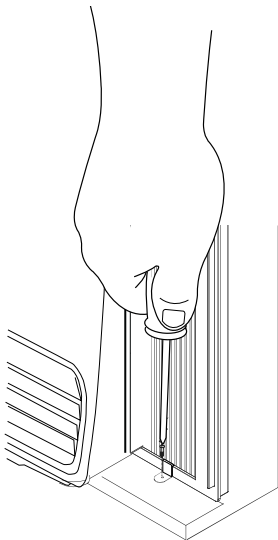
Tornillos de la cortina lateral



4. Repita los pasos 1 al 3 para sujetar la cortina del lado izquierdo.

Sujete las cortinas laterales a la repisa de la ventana — Soporte de la cortina lateral (en algunos modelos)

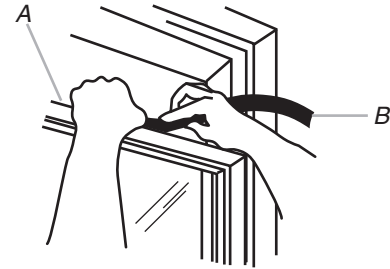
1. Deslice el soporte lateral sobre la parte inferior del marco de la cortina del lado derecho.
2. Use una broca de $\frac{1}{8}$ " para taladrar un primer orificio a través del orificio que está en el soporte lateral y la repisa de la ventana.
3. Sujete el soporte lateral a la repisa de la ventana con un tornillo de $\frac{3}{4}$ ".



4. Repita el procedimiento para la instalación del soporte lateral en el lado izquierdo del acondicionador de aire.

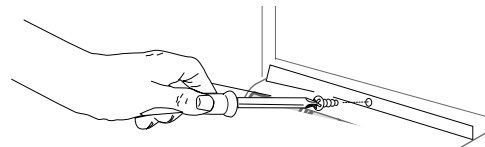
Complete la instalación

1. Inserte el sello de espuma sin adhesivo detrás de la parte superior del bastidor de la ventana inferior y contra el vidrio de la ventana superior.

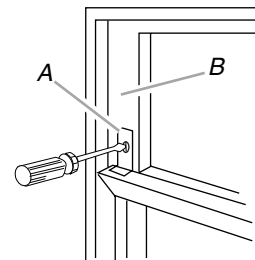


A. Parte superior del bastidor de la ventana inferior
B. Sello de espuma

2. Use una broca de $\frac{1}{8}$ " para taladrar un primer orificio en el bastidor de la ventana a través del orificio que está en el canal superior.
3. Sujete el canal superior al bastidor de la ventana con un tornillo de $\frac{3}{4}$ " para asegurar la ventana.



4. Coloque el soporte de seguridad de la ventana como se muestra. Use una broca de $\frac{1}{8}$ " para taladrar un primer orificio en la ventana superior, a través del orificio que está en el soporte de seguridad de la ventana.
5. Sujete el soporte de seguridad de la ventana a la ventana superior con un tornillo de $\frac{31}{32}$ " para asegurar la ventana en su lugar.



A. Soporte de seguridad de la ventana
B. Ventana superior

⚠️ ADVERTENCIA



Peligro de Choque Eléctrico

Conecte a un contacto de pared de conexión a tierra de 3 terminales.

No quite la terminal de conexión a tierra.

No use un adaptador.

No use un cable eléctrico de extensión.

No seguir estas instrucciones puede ocasionar la muerte, incendio o choque eléctrico.

6. Conecte a un contacto de pared de conexión a tierra de 3 terminales.

7. Presione RESET (Reposición) en el cable de suministro de energía. Vea “Requisitos eléctricos”.
8. Saque la película transparente de plástico del panel de control y del frente de plástico.

CÓMO USAR EL ACONDICIONADOR DE AIRE

Operar debidamente su acondicionador de aire le permite obtener los mejores resultados posibles.

Esta sección le explica cómo operar su acondicionador de aire debidamente.

IMPORTANTE:

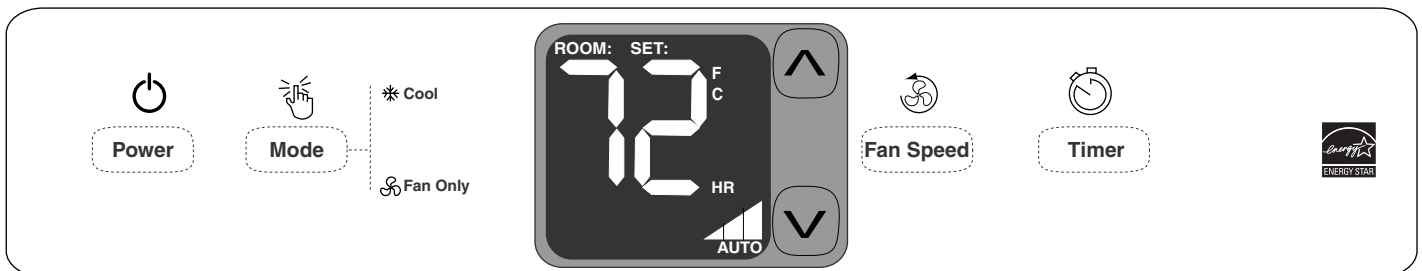
- Si usted apaga el acondicionador de aire, espere por lo menos 3 minutos antes de volver a ponerlo en marcha. Esto evitará que se quemara un fusible o se dispare un cortacircuitos a causa del acondicionador de aire.

- No trate de operar su acondicionador de aire en el modo de Cool (Enfriar), Eco (Ecológico — en algunos modelos) o Overnight (Toda la noche — en algunos modelos) cuando la temperatura exterior sea menor de 65°F (18°C). El serpentín interior del evaporador se congelará y el acondicionador de aire no funcionará debidamente.

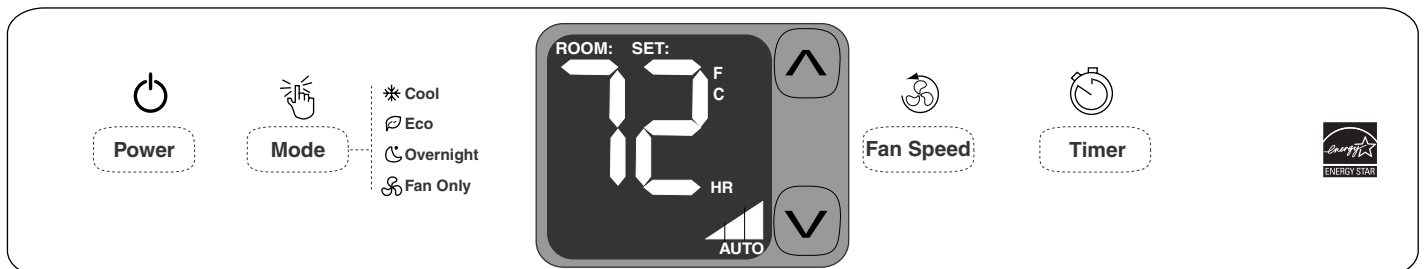
NOTA: En caso de corte de electricidad, el acondicionador de aire funcionará con los ajustes previos cuando se reanude la electricidad.

Cómo poner en marcha su acondicionador de aire

5500 Btu

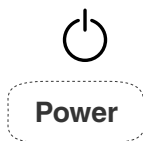


6300 a 12000 Btu



NOTA: Cuando el acondicionador de aire esté en el modo de espera, la luz roja LED de Power (Encendido) estará encendida.

1. Presione POWER (Encendido) para encender el acondicionador de aire. La luz roja LED de Power (Encendido) cambiará a azul.



NOTA: Cuando el acondicionador de aire se enchufe por primera vez, la luz LED de encendido estará de color rojo, lo que muestra que la unidad está en el modo de espera. Cuando el acondicionador de aire se encienda por primera vez después de haberse conectado, la luz LED de energía cambiará a azul, el modo se fijará en Cool (Enfriar) y la velocidad del ventilador se fijará en Auto (Automático).

La pantalla mostrará la temperatura fijada de fábrica de 72°F (22°C) por 5 segundos; después mostrará la temperatura actual de la habitación.

Cuando se encienda el acondicionador de aire todas las otras veces, la unidad funcionará de acuerdo con los ajustes anteriores. La pantalla mostrará los ajustes anteriores por 5 segundos y luego mostrará la temperatura actual de la habitación.

2. Seleccione el modo. Vea “Modo”.
3. Fije la temperatura. Vea “Temperatura”.
4. Seleccione la velocidad del ventilador. Vea “Velocidad del ventilador”.

NOTAS:

- La velocidad del ventilador de Auto (Automática) no puede seleccionarse en el modo de Fan Only (Sólo ventilador).
- En los modos de Eco (Ecológico — en algunos modelos) y Cool (Enfriar), la velocidad del ventilador de Auto (Automática) se selecciona automáticamente.

Modo

1. Presione MODE (Modo) hasta ver la luz indicadora encendida para el ajuste deseado.
2. Elija el modo Cool (Enfriar), Eco (Ecológico — en algunos modelos), Overnight (Toda la noche — en algunos modelos) o Fan Only (Sólo ventilador).
 - Cool (Enfriar) — Enfriar la habitación. Fan Speed (Velocidad del ventilador) está fijada en Auto (Automático). Presione el botón con la flecha hacia arriba o hacia abajo para ajustar la temperatura.
 - Eco (Ecológico — en algunos modelos) - Ahorra energía. El compresor y el ventilador funcionan hasta que se alcance la temperatura fijada, después se apaga el compresor. El ventilador funciona por un minuto adicional antes de apagarse. Fija la velocidad del ventilador automáticamente en Auto (Automático). Presione el botón con la flecha hacia arriba o hacia abajo para ajustar la temperatura.
 - Overnight (Toda la noche) (8 horas — en algunos modelos) — Aumenta la temperatura fijada automáticamente 4 °F (2°C). Fan Speed (Velocidad del ventilador) se fija en Low (Baja). Presione el botón con la flecha hacia arriba o hacia abajo para ajustar la temperatura. La temperatura fijada aumenta 2°F (1°C) cada hora durante las primeras 2 horas y permanece en ese ajuste de temperatura por las siguientes 6 horas.

Cuando termine el modo de Overnight (Toda la noche), el acondicionador de aire entrará al modo de Cool (Enfriar) y el ajuste del termostato regresará al ajuste de temperatura original del modo de Overnight (Toda la noche).

NOTA: Las luces LED del panel de control se apagarán 10 segundos después de que se haya fijado el modo de Overnight (Toda la noche). Para volver a activar las luces LED e iluminar el panel de control, toque cualquier botón en el panel de control o el control remoto.

- Fan Only (Sólo ventilador) — Funciona sólo el ventilador. Oprima FAN SPEED (Velocidad del ventilador) para seleccionar Low (Baja), Medium (Media) o High (Alta). La barra LED muestra 1 barra para Low (Baja), 2 barras para Medium (Media) y 3 barras para High (Alta). La pantalla de temperatura muestra “1” para la velocidad del ventilador Low (Baja), “2” para Medium (Media) y “3” para High (Alta). Después de 5 segundos, la pantalla muestra la temperatura actual de la habitación.

NOTAS:

- Ni la temperatura ni la velocidad del ventilador de Auto (Automática) pueden seleccionarse en el modo de Fan Only (Sólo ventilador).
- En los modos Eco (Ecológico — en algunos modelos) y Cool (Enfriar), la velocidad del ventilador Auto (Automática) se selecciona automáticamente.

NOTA: Su modelo podría variar del modelo mostrado.

Modes



- * Cool
- Eco
- Overnight
- Fan Only

NOTA: Después de 5 segundos, la pantalla mostrará la temperatura actual de la habitación.

Velocidad del ventilador

1. Presione FAN SPEED (Velocidad del ventilador) hasta que vea que la luz LED de la barra para el ajuste deseado se enciende.
2. Elija High (Alta), Med (Media), Low (Baja) o Auto (Automática).
 - Low (Baja) — Enfriamiento bajo — se muestra 1 barra y "1" en la pantalla de temperatura
 - Med (Media) — Enfriamiento normal — se muestran 2 barras y "2" en la pantalla de temperatura
 - High (Alta) — Enfriamiento máximo — se muestran 3 barras y "3" en la pantalla de temperatura
 - Auto (Automática) — Controla automáticamente la velocidad del ventilador dependiendo de la temperatura actual de la habitación y del ajuste de control de temperatura. Se muestra una "A" en la pantalla de temperatura y 1, 2 ó 3 barras muestran la velocidad actual del ventilador.

NOTAS:

- Ni la temperatura ni la velocidad del ventilador de Auto (Automática) pueden seleccionarse en el modo de Fan Only (Sólo ventilador).

- En los modos Eco (Ecológico — en algunos modelos) y Cool (Enfriar), la velocidad del ventilador Auto (Automática) se selecciona automáticamente.
- En el modo Overnight (Toda la noche — en algunos modelos), la velocidad del ventilador Low (Baja) se selecciona automáticamente.



Fan Speed



NOTA: Después de 5 segundos, la pantalla mostrará la temperatura actual de la habitación.

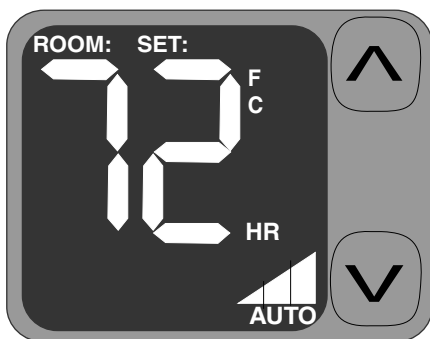
Temperatura

- Presione el botón con la flecha hacia arriba para aumentar la temperatura. Cada vez que usted presione o sostenga el botón con la flecha hacia arriba, la temperatura aumentará 1°F (1°C) hasta alcanzar los 86°F (30°C).

NOTA: Después de 5 segundos, la pantalla mostrará la temperatura actual de la habitación.

- Presione el botón con la flecha hacia abajo para disminuir la temperatura. Cada vez que usted presione o sostenga el botón con la flecha hacia abajo, la temperatura disminuirá 1°F (1°C) hasta llegar a 61°F (16°C).

NOTA: Después de 5 segundos, la pantalla mostrará la temperatura actual de la habitación.



Cómo cambiar de grados Fahrenheit a centígrados

Presione y sostenga los botones con las flechas hacia arriba y hacia abajo para cambiar de °F a °C. Suelte los botones después de que se encienda °C.

Temporizador

Para programar un retraso de 1 a 24 horas hasta que se apague el acondicionador de aire (el acondicionador de aire debe estar en On — Encendido):

1. Oprima TIMER (Temporizador). La pantalla mostrará las horas restantes antes de que el acondicionador de aire se apague.
2. Presione el botón con la flecha hacia arriba o hacia abajo para cambiar el tiempo de retraso de 1 a 24 horas.
3. Presione TIMER (Temporizador) mientras el tiempo restante se muestra en la pantalla o espere 5 segundos para que la unidad guarde los ajustes automáticamente.

NOTA: Cuando el acondicionador de aire se apague, la luz LED roja en el botón de Power (Encendido) se enciende para indicar que está en el modo de Standby (Espera). La luz LED de TIMER (Temporizador) se apaga.

4. Para ver el tiempo restante antes de que se apague el acondicionador de aire, presione TIMER (Temporizador) una vez. El presionar Timer (Temporizador) nuevamente mientras se muestra el tiempo restante en la pantalla anulará el ajuste.

Para programar el acondicionador de aire para se encienda y conserve los ajustes anteriores:

1. Apague el acondicionador de aire.
2. Oprima TIMER (Temporizador). La pantalla mostrará las horas restantes antes de que el acondicionador de aire se encienda.
3. Presione el botón con la flecha hacia arriba o hacia abajo para cambiar el tiempo de retraso de 1 a 24 horas.
4. Presione TIMER (Temporizador) nuevamente mientras el tiempo restante se muestra en la pantalla o espere 5 segundos para que la unidad guarde los ajustes automáticamente. La pantalla mostrará la temperatura actual de la habitación. La luz LED de Timer (Temporizador) permanecerá encendida.
5. Para ver el tiempo restante antes de que se encienda el acondicionador de aire, presione TIMER (Temporizador) una vez. El presionar Timer (Temporizador) nuevamente mientras se muestra el tiempo restante en la pantalla anulará el ajuste.

Para programar el acondicionador de aire para se encienda y cambie los ajustes anteriores:

1. Ajuste el modo en Cool (Enfriar), Eco (Ecológico — en algunos modelos), Overnight (Toda la noche — en algunos modelos) o Fan Only (Sólo ventilador).
2. Presione el botón con la flecha hacia arriba o hacia abajo para fijar la temperatura entre 61°F y 86°F (16°C y 30°C).
3. Ajuste la velocidad del ventilador en Low (Baja), Medium (Media), High (Alta) o Auto (Automática) y la temperatura.

NOTAS:

- Ni la temperatura ni la velocidad del ventilador Auto (Automática) pueden seleccionarse en el modo de Fan Only (Sólo ventilador).
 - En los modos Eco (Ecológico — en algunos modelos) y Cool (Enfriar), la velocidad del ventilador Auto (Automática) se selecciona automáticamente.
4. Apague el acondicionador de aire.
 5. Oprima TIMER (Temporizador). La pantalla mostrará las horas restantes antes de que el acondicionador de aire se encienda.

6. Presione el botón con la flecha hacia arriba o hacia abajo para cambiar el tiempo de retraso de 1 a 24 horas.
7. Presione TIMER (Temporizador) nuevamente mientras el tiempo restante se muestra en la pantalla o espere 5 segundos para que la unidad guarde los ajustes automáticamente. La luz LED de Timer (Temporizador) permanecerá encendida.
8. Para ver el tiempo restante antes de que se encienda el acondicionador de aire, presione TIMER (Temporizador) una vez. El presionar Timer (Temporizador) nuevamente mientras se muestra el tiempo restante en la pantalla anulará el ajuste.

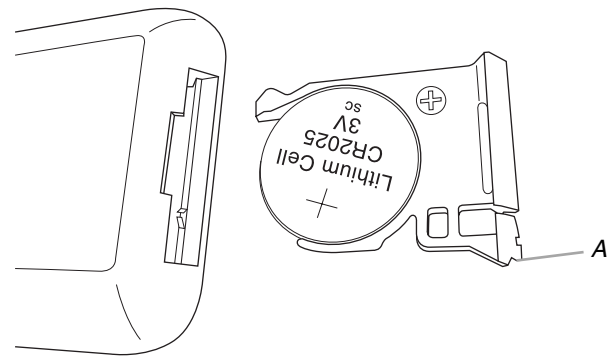
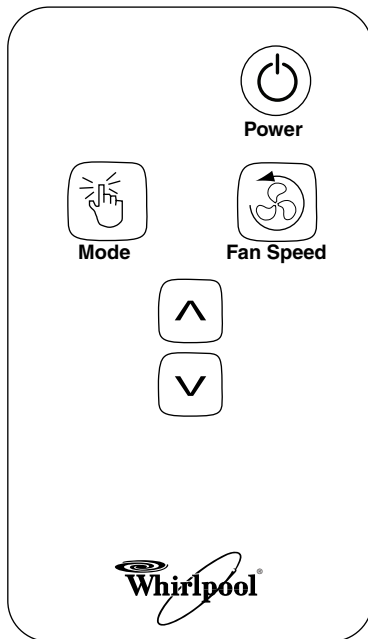
Para cancelar el temporizador:

Presione TIMER (Temporizador) dos veces para anular el temporizador.



Cómo usar el control remoto

NOTA: La apariencia del control remoto puede variar.

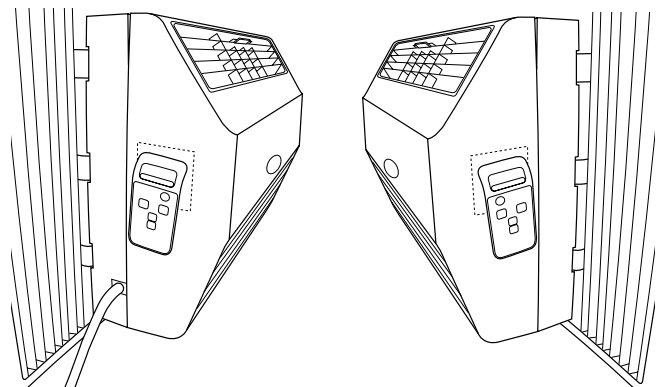


A. Lengüeta

Cómo guardar el control remoto

Guarde el control remoto colocando el lado posterior, que contiene un imán, contra el costado de la carcasa del acondicionador de aire, en las ubicaciones que se muestran en la ilustración a continuación.

NOTA: Las líneas punteadas no aparecen en la carcasa de la unidad. Éstas muestran solamente las ubicaciones de las placas metálicas en la ilustración.



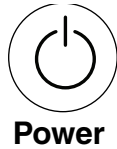
NOTA: El control remoto se alimenta con una pila CR2025 (incluida). Cambie la pila después de 6 meses de uso o cuando la luz azul destelle 5 veces cada 10 minutos.

Para quitar la pila, coloque el control remoto mirando hacia abajo. Con la uña de su dedo pulgar, presione y sostenga la lengüeta para liberar la tapa de la pila y jale la tapa hacia fuera con su dedo índice.

Para volver a instalar la pila, colóquela en la tapa de la pila como se muestra en la ilustración a continuación, haciendo coincidir el lado positivo (+) de la pila con el lado positivo (+) de la tapa de la pila. Deslice la tapa de la pila en el control remoto.

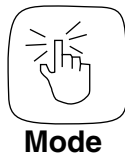
Encendido

1. Presione POWER (Encendido) para encender el acondicionador de aire.
2. Presione POWER (Encendido) nuevamente para apagar el acondicionador de aire.



Modo

Presione MODE (Modo) para elegir Cool (Enfriar), Eco (Ecológico — en algunos modelos), Overnight (Toda la noche — en algunos modelos) o Fan Only (Sólo ventilador).



Velocidad del ventilador

1. Presione FAN SPEED (Velocidad del ventilador) hasta que vea que la luz LED de la barra en el panel de control para el ajuste deseado se enciende.
2. Elija Low (Baja), Medium (Media), High (Alta) o Auto (Automática).

NOTAS:

- Ni la temperatura ni la velocidad del ventilador Auto (Automática) pueden seleccionarse en el modo de Fan Only (Sólo ventilador).
- En los modos de Eco (Ecológico) (en algunos modelos) y Cool (Enfriar), la velocidad del ventilador de Auto (Automática) se selecciona automáticamente.



NOTA: Después de 5 segundos, la pantalla en el panel de control del acondicionador de aire mostrará la temperatura actual de la habitación.

Temperatura

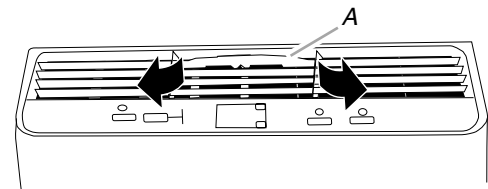
- Presione el botón con la flecha hacia arriba para aumentar la temperatura. Cada vez que usted presione o sostenga el botón con la flecha hacia arriba, la temperatura aumentará 1°F (1°C) hasta alcanzar los 86°F (30°C).



- Presione el botón con la flecha hacia abajo para disminuir la temperatura. Cada vez que usted presione o sostenga el botón con la flecha hacia abajo, la temperatura disminuirá 1°F (1°C) hasta llegar a 61°F (16°C).

Cómo cambiar la dirección del aire

Use la lengüeta para dirigir el aire hacia la derecha o hacia la izquierda.



A. Lengüeta

CUIDADO DE SU ACONDICIONADOR DE AIRE

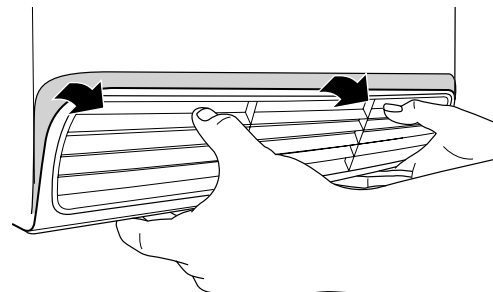
Su nuevo acondicionador de aire está diseñado para darle muchos años de servicio confiable. Esta sección le ofrece la información acerca de la limpieza adecuada y el cuidado de su acondicionador de aire. Llame al vendedor autorizado de su localidad para un chequeo anual. Recuerde... el costo de esta visita de servicio es su responsabilidad.

Limpieza del filtro de aire

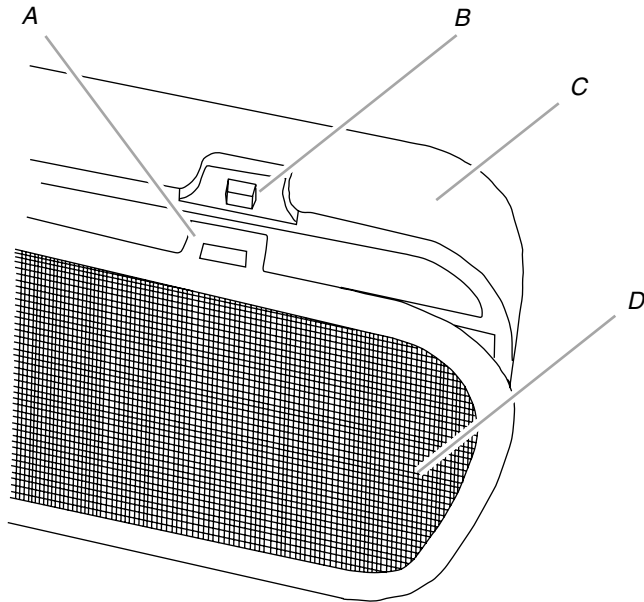
El filtro de aire se puede desmontar para facilitar su limpieza. Un filtro limpio ayuda a quitar el polvo, las pelusas y otras partículas del aire, y es importante para que el aparato enfríe y funcione más eficientemente. Revise el filtro cada 2 semanas para ver si necesita limpieza.

NOTA: No haga funcionar el acondicionador de aire si el filtro no está colocado en su lugar.

1. Apague el acondicionador de aire.
2. Saque el filtro de aire ejerciendo presión en las lengüetas de la rejilla de toma de aire y jalando la rejilla fuera del acondicionador de aire.



3. Saque el filtro de la rejilla levantándola para liberar las lengüetas con ranuras que están en la parte superior e inferior de la rejilla.



A. Lengüeta con ranuras
 B. Levante la lengüeta con ranuras para sacarla.
 C. Rejilla de toma de aire
 D. Filtro de aire

4. Limpie el filtro de aire usando una aspiradora. Si está muy sucio, lávelo con agua tibia y un detergente suave.
NOTA: No lave el filtro de aire en la lavavajillas ni use limpiadores químicos. Seque bien el filtro al aire antes de colocarlo nuevamente para asegurarse la máxima eficiencia.
5. Vuelva a sujetar el filtro de aire en la rejilla de toma de aire.
6. Inserte la rejilla de toma de aire en las ranuras del acondicionador de aire y encájela a presión en su lugar.

Limpieza del panel frontal

1. Apague el acondicionador de aire.
2. Limpie el panel frontal con un paño suave y húmedo.
3. Seque al aire por completo el panel frontal.

Reparación de la pintura dañada

Revise una o dos veces al año si hay daños en la pintura. Esto es muy importante, especialmente en lugares que están cerca de los océanos o donde la herrumbre es un problema. Si es necesario, retoque con un esmalte de buena calidad.

Mantenimiento anual

Su acondicionador de aire necesita mantenimiento anual para ayudar a asegurar un rendimiento constante de la mejor calidad durante todo el año. Llame al distribuidor autorizado de su localidad para hacer una cita para el chequeo anual. El costo del chequeo anual es su responsabilidad.

SOLUCIÓN DE PROBLEMAS

Antes de solicitar servicio, pruebe las sugerencias que se incluyen a continuación para ver si puede resolver el problema sin ayuda.

El acondicionador de aire no funciona

⚠ ADVERTENCIA



Peligro de Choque Eléctrico

Conecte a un contacto de pared de conexión a tierra de 3 terminales.

No quite la terminal de conexión a tierra.

No use un adaptador.

No use un cable eléctrico de extensión.

No seguir estas instrucciones puede ocasionar la muerte, incendio o choque eléctrico.

- **El cable de suministro de energía está desenchufado.** Conecte a un contacto de pared de conexión a tierra de 3 terminales. Vea "Requisitos eléctricos".
- **Se ha disparado el cable de suministro de energía (Ha saltado el botón de Reset - Reposición).** Para reanudar el funcionamiento, presione y suelte RESET (Reposición - escuche el chasquido; el botón de reposición quedará trabado y se encenderá una luz verde en algunos aparatos).

- **Se ha fundido un fusible de la casa o disparado un cortacircuitos.** Reemplace el fusible o reposicione el cortacircuitos. Si el problema continúa, llame a un electricista. Vea "Requisitos eléctricos".
- **No se ha oprimido el botón de Power (Encendido).** Presione POWER (Encendido).
- **Se ha interrumpido la energía eléctrica en su localidad.** Espere que se restablezca la energía eléctrica.

El acondicionador de aire funde los fusibles o dispara los cortacircuitos

- **Se están usando muchos aparatos en el mismo circuito.** Desenchufe o ponga en otro lugar los aparatos que estén usando el mismo circuito.
- **Se está usando un fusible de retardo o un cortacircuitos con la capacidad incorrecta.** Reemplácelo con un fusible de retardo o un cortacircuitos con la capacidad correcta. Vea "Requisitos eléctricos".
- **Se está usando un cable de extensión.** No use un cable de extensión con este o cualquier otro aparato.
- **Usted está tratando de volver a poner en marcha el acondicionador de aire muy poco tiempo después de apagarlo.** Espere por lo menos 3 minutos antes de poner en marcha el acondicionador de aire después de apagarlo.

El cable de suministro de energía del acondicionador de aire se traba (el botón de reposición salta)

- **Las interrupciones en la corriente eléctrica de su casa pueden hacer que se suelte (el botón de Reset - Reposición saltará) el cable de suministro de energía.** Para reanudar el funcionamiento, presione y suelte RESET (Reposición - escuche el chasquido; el botón de reposición quedará trabado y se encenderá una luz verde en algunos aparatos).
- **Una sobrecarga eléctrica, el recalentamiento, los pellizcos o el envejecimiento pueden hacer que se suelte (el botón de Reset - Reposición saltará) el cable de suministro de energía.** Para reanudar el funcionamiento, después de corregir el problema, presione y suelte RESET (Reposición - escuche el chasquido; el botón de reposición quedará trabado y se encenderá una luz verde en algunos aparatos).

NOTA: Un cable de suministro de energía dañado no debe ser reparado, debe ser reemplazado por un nuevo cable de suministro de energía obtenido del fabricante del producto.

Parece que el acondicionador de aire funciona excesivamente

- **Su actual acondicionador de aire reemplazó un modelo viejo.** El uso de componentes más eficientes puede hacer que el acondicionador de aire funcione por más tiempo que su antiguo modelo, pero el consumo total de energía será menor. Los acondicionadores de aire más nuevos no emiten las "ráfagas" de aire frío a las que usted estaba acostumbrado con sus acondicionadores de aire anteriores, pero esto no es indicio de menor capacidad o eficiencia en el enfriamiento. Verifique el régimen de eficiencia (EER) y el régimen de capacidad (en Btu/h) que se indican en el acondicionador de aire.
- **El aire acondicionado se encuentra en una habitación muy congestionada o se están usando aparatos que generan calor en la misma habitación.** Use ventiladores aspiradores cuando esté cocinando o bañándose y trate de no usar aparatos que generan calor durante las horas más calurosas del día. Podría necesitar un acondicionador de aire con más capacidad, dependiendo del tamaño de la habitación que se desea enfriar.

La unidad se enciende y se apaga demasiado o no enfría la habitación en el modo de enfriamiento

- **El acondicionador de aire no tiene el tamaño adecuado para su habitación.** Verifique la capacidad de enfriamiento de su acondicionador de aire para ventana. Los acondicionadores de aire para ventanas no están diseñados para enfriar varias habitaciones.
- **El filtro está sucio u obstruido por escombros.** Limpie el filtro.
- **El evaporador interno y los serpentines del condensador externo están sucios u obstruidos por escombros.** Vea "Mantenimiento anual".
- **Hay demasiado calor o humedad en la habitación (se está cocinando con recipientes sin tapa, duchas, etc.).** Use un ventilador para eliminar el calor o la humedad de la habitación. Trate de no usar aparatos que producen calor en las horas más calurosas del día.
- **Las rejillas están bloqueadas.** Instale el acondicionador de aire en un lugar donde las rejillas no estén bloqueadas por cortinas, persianas, muebles, etc.
- **La temperatura exterior es inferior a los 65°F (18°C).** No trate de poner en marcha el acondicionador de aire cuando la temperatura exterior sea inferior a los 65°F (18°C).
- **La temperatura de la habitación que está tratando de enfriar está demasiado caliente.** Deje pasar más tiempo para que el acondicionador de aire enfríe una habitación muy caliente.
- **Están abiertas ventanas o puertas que dan al exterior.** Cierre todas las puertas y ventanas.
- **El Control de temperatura no está en un ajuste lo suficientemente frío.** Ajuste la temperatura a una posición más fría oprimiendo el botón de menos para reducir la temperatura. Fije el control de Fan Speed (Velocidad del ventilador) en el ajuste más alto.

Se filtra agua de la carcasa a su casa

- **El acondicionador de aire no está debidamente nivelado.** El acondicionador de aire debe inclinarse ligeramente hacia abajo, hacia el exterior. Nivele el acondicionador de aire de manera que tenga una inclinación hacia abajo y hacia el exterior, para asegurar el debido desagüe. Vea las Instrucciones de instalación.

NOTA: No taladre un orificio en la parte inferior de la base de metal ni del colector de condensado.

Sonidos normales

Cuando el acondicionador de aire está funcionando normalmente, usted podrá escuchar sonidos como:

- Gotas de agua que caen sobre el condensador, produciendo tintineos o chasquidos. Las gotas de agua ayudan a enfriar el condensador.
- El movimiento del aire que sale del ventilador.

- Chasquidos del ciclo del termostato.
- Vibraciones o ruidos debidos a deficiencias en la construcción de la pared o ventana.
- Un zumbido agudo o un ruido pulsante producido por la alternación de los ciclos de encendido y apagado del moderno compresor de alta eficiencia.

AYUDA O SERVICIO TÉCNICO

Antes de solicitar ayuda o servicio técnico, por favor consulte la sección "Solución de problemas". Esto le podría ahorrar el costo de una visita de servicio técnico. Si considera que aún necesita ayuda, siga las instrucciones que aparecen a continuación.

Cuando llame, tenga a mano la fecha de compra y el número completo del modelo y de la serie de su electrodoméstico. Esta información nos ayudará a atender mejor a su pedido.

Si necesita piezas de repuesto

Si necesita pedir piezas de repuesto, recomendamos que use únicamente piezas de repuesto especificadas de fábrica. Estas piezas encajarán bien y funcionarán bien ya que están confeccionadas con la misma precisión empleada en la fabricación de cada electrodoméstico nuevo.

Para encontrar piezas de repuesto especificadas de fábrica en su localidad, llame al centro de servicio designado más cercano a su localidad.

En los EE.UU.

Llame al Centro para la eXperiencia del cliente de Whirlpool sin costo alguno al **1-800-253-1301**. En Puerto Rico, llame al **1-787-999-7400**.

Nuestros consultores ofrecen asistencia con respecto a:

- Características y especificaciones de nuestra línea completa de electrodomésticos.
- Información sobre instalación.
- Procedimiento para el uso y mantenimiento.
- Venta de accesorios y piezas para reparación.
- Asistencia especializada para el cliente (habla hispana, problemas de audición, visión limitada, etc.).
- Recomendaciones con distribuidores locales, compañías que dan servicio y distribuidores de partes para reparación. Los técnicos de servicio designados por Whirlpool están entrenados para cumplir con la garantía del producto y ofrecer servicio una vez que la garantía termine, en cualquier lugar de los Estados Unidos.

Para localizar a una compañía de servicio designada por Whirlpool en su área, también puede consultar la sección amarilla de su guía telefónica.

Para obtener más asistencia

Si necesita asistencia adicional, puede escribir a Whirlpool Corporation con sus preguntas o dudas a:

Whirlpool Brand Home Appliances
Customer eXperience Center
553 Benson Road
Benton Harbor, MI 49022-2692

Favor de incluir un número telefónico de día en su correspondencia.

GARANTÍA LIMITADA DEL ACONDICIONADOR DE AIRE PARA VENTANA DE WHIRLPOOL

GARANTÍA LIMITADA DE UN AÑO

Durante un año a partir de la fecha de compra original, siempre y cuando este acondicionador de aire para ventana sea instalado, operado y mantenido de conformidad con las instrucciones adjuntas o provistas con el producto, Whirlpool Corporation o Whirlpool Canada LP (en lo sucesivo denominada "Whirlpool") se hará cargo, a su sola discreción, del costo de las piezas especificadas de fábrica y del trabajo de reparación para corregir defectos en los materiales o de la mano de obra o bien reemplazará el producto por un producto comparable que sea nuevo o restaurado. Si se reemplaza, la unidad estará cubierta por el tiempo restante de la garantía limitada de un año de la unidad original. Vea las instrucciones de servicio técnico más adelante.

SU ÚNICO Y EXCLUSIVO RECURSO SEGÚN LOS TÉRMINOS DE LA GARANTÍA LIMITADA SERÁ EL DE REPARAR O REEMPLAZAR EL PRODUCTO A NUESTRA DISCRECIÓN SEGÚN SE ESTIPULA EN LA PRESENTE. El servicio deberá ser suministrado por una compañía de servicio designada por Whirlpool. Esta garantía limitada es válida en Estados Unidos, en Puerto Rico o en Canadá y se aplica solamente cuando el acondicionador de aire para ventana se use en el país en el que se ha comprado. Esta garantía limitada entrará en vigor a partir de la fecha de la compra del consumidor original. Se requiere una prueba de la fecha de compra original para obtener servicio o reemplazo bajo esta garantía limitada.

EXCLUSIONES DE LA GARANTÍA

Esta garantía limitada no cubre:

1. Visitas de servicio técnico para corregir la instalación de su acondicionador de aire para ventana, para enseñarle a usar su producto, para cambiar o reparar fusibles domésticos, para volver a fijar los cortacircuitos o para corregir la instalación eléctrica o de la tubería de la casa.
2. Visitas de servicio técnico para reparar o reemplazar filtros de aire. Las piezas de consumo están excluidas de la cobertura de la garantía.
3. Reparaciones o reemplazo cuando su acondicionador de aire para ventana se use de un modo diferente al doméstico normal de una sola familia, o cuando se use de un modo contrario a las instrucciones publicadas para el usuario u operador y/o las instrucciones de instalación.

4. Daños causados por accidente, alteración, uso indebido, abuso, incendio, inundación, actos fortuitos, instalación incorrecta, instalación que no esté de acuerdo con los códigos eléctricos o de plomería, o el empleo de artículos de consumo o productos de limpieza no aprobados por Whirlpool Corporation.
5. Daños estéticos, incluyendo rayaduras, abolladuras, desportilladuras u otro daño al acabado de su acondicionador de aire para ventana, a menos que el mismo sea debido a defectos en los materiales o la mano de obra y se le informe a Whirlpool en un lapso de 30 días a partir de la fecha de compra.
6. Reparaciones de piezas o sistemas como resultado de modificaciones no autorizadas que se hayan efectuado en el producto.
7. Gastos de viaje y transporte para obtener servicio para el producto, si su acondicionador de aire para ventana está ubicado en un lugar remoto en el cual no haya disponible un técnico de servicio autorizado por Whirlpool.
8. La remoción e instalación de su acondicionador de aire para ventana, si estuviera instalado en un lugar inaccesible o si no estuviera instalado de conformidad con las instrucciones de instalación publicadas por Whirlpool.
9. Acondicionadores de aire para ventana con números de modelo/serie que se hayan removido, alterado o que no puedan ser identificados con facilidad. Esta garantía se anulará si el número de serie aplicado en la fábrica ha sido alterado o removido de su electrodoméstico.

El costo de la reparación o el reemplazo bajo estas circunstancias excluidas correrá por cuenta del cliente.

SI SU ACONDICIONADOR DE AIRE PARA VENTANA CESARA DE FUNCIONAR DURANTE EL PRIMER AÑO DE COMPRA:

1. Llame a nuestro Centro para la eXperiencia del cliente al **1-800-253-1301** (gratuito en EE.UU.), **1-800-807-6777** (gratuito en Canadá) O BIEN **1-787-999-7400** (en Puerto Rico).
2. Dé al especialista el número completo del modelo, de la serie y dirección para el envío.
3. El especialista le indicará si el acondicionador de aire para ventana cumple con los requisitos para la reparación en el hogar o el reemplazo.
4. En caso de reemplazo, se le indicará que debe llevar el producto a un centro de servicio designado por Whirlpool. Deberá devolver el producto en su empaque original o uno equivalente; pagar previamente los cargos por transporte/envío al centro de servicio designado; y asegurar el envío, ya que Whirlpool no se hará responsable si el producto se pierde o se daña durante el envío. Sírvase incluir su nombre y domicilio en un papel junto con la copia del comprobante de compra (recibo de registradora, comprobante de pago, etc.).
5. Whirlpool le entregará el producto reparado o, a discreción de Whirlpool, un producto nuevo o restaurado comparable a su domicilio, sin cargo.

EXCLUSIÓN DE GARANTÍAS IMPLÍCITAS

LAS GARANTÍAS IMPLÍCITAS, INCLUYENDO CUALQUIER GARANTÍA IMPLÍCITA DE COMERCIABILIDAD O GARANTÍA IMPLÍCITA DE CAPACIDAD PARA UN PROPÓSITO PARTICULAR, SERÁN LIMITADAS A UN AÑO O AL PERÍODO MÁS CORTO PERMITIDO POR LEY. Algunos estados y provincias no permiten la limitación de la duración de garantías implícitas de comerciabilidad o capacidad, de modo que la limitación arriba indicada quizás no le corresponda. Esta garantía le otorga derechos legales específicos, y es posible que usted tenga también otros derechos que varían de un estado a otro o de una provincia a otra.

LIMITACIÓN DE RECURSOS; EXCLUSIÓN DE DAÑOS INCIDENTALES Y CONSECUENTES

SU ÚNICO Y EXCLUSIVO RECURSO SEGÚN LOS TÉRMINOS DE LA GARANTÍA LIMITADA SERÁ EL DE REPARAR O REEMPLAZAR EL PRODUCTO A NUESTRA DISCRECIÓN SEGÚN SE ESTIPULA EN LA PRESENTE. WHIRLPOOL NO SE RESPONSABILIZARÁ POR DAÑOS INCIDENTALES O CONSECUENTES. Algunos estados y provincias no permiten la exclusión o limitación de daños incidentales o consecuentes, de modo que estas limitaciones quizás no le correspondan. Esta garantía le otorga derechos legales específicos, y es posible que usted tenga también otros derechos que varían de un estado a otro o de una provincia a otra.

Esta garantía no tiene vigencia fuera de los cincuenta estados de Estados Unidos, Puerto Rico y Canadá. Póngase en contacto con el distribuidor autorizado de Whirlpool para determinar si corresponde otra garantía.

Si necesita servicio, consulte primero la sección "Solución de problemas" del Manual de uso y cuidado. Puede encontrar ayuda adicional en la sección "Ayuda o servicio técnico" o llamando a Whirlpool. En EE.UU., llame al **1-800-253-1301**. En Canadá, llame al **1-800-807-6777**. En Puerto Rico, llame al **1-787-999-7400**. 11/10

Guarde este libro y su comprobante de compra juntos para referencia futura. Usted deberá proporcionar el comprobante de la compra o una fecha de instalación para obtener servicio bajo la garantía.

Escriba la siguiente información acerca de su electrodoméstico principal para ayudarle mejor a obtener asistencia o servicio técnico si alguna vez llegara a necesitarlo. Deberá tener a mano el número completo del modelo y de la serie. Usted puede encontrar esta información en la etiqueta con el número de modelo y de serie ubicada en el producto.

Nombre del distribuidor _____
 Dirección _____
 Número de teléfono _____
 Número de modelo _____
 Número de serie _____
 Fecha de compra _____

SÉCURITÉ DU CLIMATISEUR

Votre sécurité et celle des autres est très importante.

Nous donnons de nombreux messages de sécurité importants dans ce manuel et sur votre appareil ménager. Assurez-vous de toujours lire tous les messages de sécurité et de vous y conformer.



Voici le symbole d'alerte de sécurité.

Ce symbole d'alerte de sécurité vous signale les dangers potentiels de décès et de blessures graves à vous et à d'autres.

Tous les messages de sécurité suivront le symbole d'alerte de sécurité et le mot "DANGER" ou "AVERTISSEMENT". Ces mots signifient :

⚠ DANGER

Risque possible de décès ou de blessure grave si vous ne suivez pas immédiatement les instructions.

⚠ AVERTISSEMENT

Risque possible de décès ou de blessure grave si vous ne suivez pas les instructions.

Tous les messages de sécurité vous diront quel est le danger potentiel et vous disent comment réduire le risque de blessure et ce qui peut se produire en cas de non-respect des instructions.

IMPORTANTES INSTRUCTIONS DE SÉCURITÉ

AVERTISSEMENT : Pour réduire les risques d'incendie, de choc électrique ou des blessures lors de l'utilisation du climatiseur, prendre quelques précautions fondamentales, y compris les suivantes :

- Brancher sur une prise à 3 alvéoles reliée à la terre.
- Ne pas utiliser un câble de rallonge.
- Ne pas enlever la broche de liaison à la terre.
- Débrancher le climatiseur avant l'entretien.
- Ne pas utiliser un adaptateur.
- Utiliser deux ou plus de personnes pour déplacer et installer le climatiseur.

CONSERVEZ CES INSTRUCTIONS

ENREGISTREMENT DU PRODUIT

Nous vous remercions pour l'achat d'un climatiseur de fenêtre Whirlpool. Afin de mieux vous servir, nous vous invitons à réserver quelques minutes à l'enregistrement de votre produit.

Lorsque vous appelez ou enregistrez le produit en ligne, soyez en mesure d'indiquer la date d'achat et les numéros de modèle et de série complets de votre climatiseur. Voir "Assistance et service". Vos droits à la garantie ne sont pas réduits si vous n'enregistrez pas votre produit.

Veuillez toujours conserver une copie du coupon de caisse indiquant la date d'achat de votre climatiseur de fenêtre Whirlpool. Cette preuve d'achat vous permet d'être couvert par la garantie.

Vous DEVEZ enregistrer votre produit pour bénéficier des avantages suivants :

- Avis de rappel : Grâce à cet enregistrement, nous pourrions vous appeler dans l'éventualité improbable d'un avis de sécurité et, aux États-Unis, nous conformer plus facilement aux dispositions de la loi sur la sécurité des produits de consommation.

- Preuve de propriété : En cas de sinistre couvert par l'assurance, comme un incendie, une inondation ou un vol, votre enregistrement servira de preuve d'achat.
- Assurance qualité : Appelez dans les 10 jours; en nous parvenant tôt, vos informations nous permettent de mieux vous aider.

N'oubliez pas : Nous savons que votre emploi du temps est chargé, mais l'enregistrement est important, rapide et simple !

Aux États-Unis

Téléphonez au Whirlpool Customer eXperience Center sans frais : **1-800-253-1301**, ou enregistrez-vous en ligne à l'adresse <https://www.registration.whirlpoolcorp.com/register/>. À Porto Rico téléphoner **1-787-999-7400**.

Au Canada

Téléphonez sans frais au Centre pour l'eXpérience de la clientèle de Whirlpool Canada LP au : **1-800-807-6777**, ou rendez-vous à l'adresse <https://www.whirlpoolappliances.ca/fr/Registration/Default.html>.

EXIGENCES D'INSTALLATION

Outils et pièces—tous les modèles

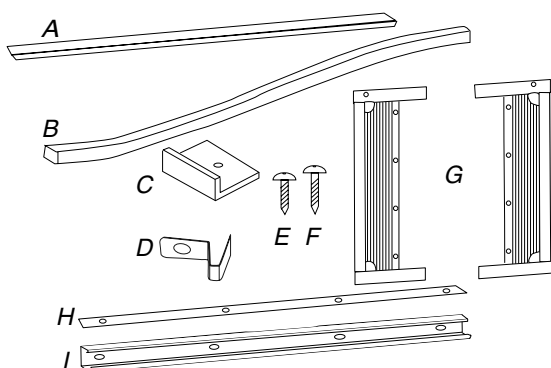
Rassembler les outils et pièces nécessaires avant de commencer l'installation. Lire et suivre les instructions fournies avec les outils indiqués ici.

Outils nécessaires

- Tournevis Phillips
- Ciseaux
- Niveau
- Mètre-ruban
- Perceuse sans fil et foret de 1/8"
- Crayon

Pièces fournies

Vérifier que toutes les pièces sont présentes dans le sachet de pièces.



- A. Joint en mousse adhésif
 B. Joint en mousse sans adhésif
 C. Bride de blocage de la fenêtre
 D. Bride latérale (sur certains modèles)
 E. Vis de 3/8" (4) (les modèles 5k, 6k et 8k seulement)
 F. Vis de 1/4" (5) (6 fournies pour les modèles 10k et 12k)
 G. Rideaux latéraux (2)
 H. Joint rainure supérieure (sur certains modèles)
 I. Rainure supérieure (sur certains modèles)

Exigences d'emplacement—tous les modèles

IMPORTANT : Observer les dispositions de tous les codes et règlements en vigueur.

Inspecter l'emplacement où le climatiseur sera installé. S'assurer d'avoir tout le nécessaire pour une installation correcte.

L'emplacement d'installation doit disposer de :

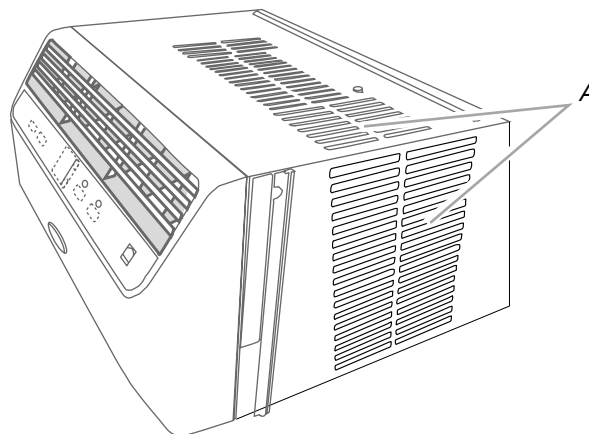
- Une prise électrique avec liaison à la terre située à moins de 6 pi (183 cm) du point de sortie du cordon d'alimentation du climatiseur.

REMARQUE : Ne pas utiliser de câble de rallonge.

- Une libre circulation de l'air dans la pièce à refroidir.
- Une ouverture de taille suffisante pour le climatiseur. Les pièces d'installation sont fournies pour des fenêtres à guillotine à deux châssis mobiles.

- Un support mural adéquat pour le poids du climatiseur. Le poids du climatiseur est compris entre 50 et 75 lb (22,7 kg et 34 kg).

REMARQUE : Les persiennes de la caisse ne doivent pas être obstruées. L'air doit pouvoir circuler librement à travers les persiennes.



A. Persiennes de la caisse

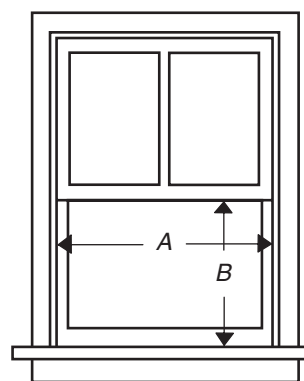
Installation dans la fenêtre

Mesures de l'ouverture dans la fenêtre—Petit châssis : 5500 Btu, 6300 Btu et 8000 Btu:

- Largeur d'ouverture comprise entre 21" (53,3 cm) minimum et 33 1/2" (85 cm) maximum.
- Hauteur d'ouverture de 13 1/2" (34,3 cm) minimum.

Mesures de l'ouverture dans la fenêtre—Grand châssis : 10k et 12k

- Largeur d'ouverture comprise entre 24" (61 cm) minimum et 36" (91,4 cm) maximum.
- Hauteur d'ouverture de 15" (38,1 cm) minimum.



- A. Petit châssis : 21" (53,3 cm) minimum;
 Grand châssis : 24" (61 cm) minimum
 B. Petit châssis : 13 1/2" (34,3 cm) minimum;
 Grand châssis : 15" (38,1 cm) minimum

⚠ **AVERTISSEMENT**



Risque de choc électrique

Brancher sur une prise à 3 alvéoles reliée à la terre.

Ne pas enlever la broche de liaison à la terre.

Ne pas utiliser un adaptateur.

Ne pas utiliser un câble de rallonge.

Le non-respect de ces instructions peut causer un décès, un incendie ou un choc électrique.

Les caractéristiques électriques du climatiseur sont indiquées sur la plaque signalétique. La plaque signalétique se trouve sur le côté droit de la caisse du climatiseur.

Les exigences électriques spécifiques sont indiquées dans le tableau "Cordon électrique spécifications du câblage". Suivre les recommandations du tableau pour ce type de prise électrique.

Cordon électrique	Spécifications électriques
	<ul style="list-style-type: none"> ■ 115 volts (103,5 min. et 126,5 max.) ■ 0 à 12 ampères ■ Fusible temporisé 15 ampères ou disjoncteur ■ Si l'appareil comporte une étiquette "Single Circuit Only", utiliser uniquement un circuit à une seule prise. ■ Si aucun circuit à une seule prise n'est disponible, c'est au client qu'incombe l'obligation de faire installer un tel circuit par un électricien qualifié. ■ Si l'appareil ne comporte aucune étiquette "Single Circuit Only", il peut être branché sur un circuit terminal quelconque, de tension correcte et convenablement protégé contre les surintensités.

Méthode recommandée de la liaison à la terre

Ce climatiseur doit être relié à la terre. Ce climatiseur est équipé d'un cordon d'alimentation électrique à trois broches pour la liaison à la terre. Pour minimiser le risque de choc électrique, le cordon doit être branché sur une prise de courant de configuration correspondante, à 3 alvéoles, reliée à la terre et installée conformément à tous les codes et règlements locaux. Si une prise de courant compatible n'est pas disponible, c'est au client qu'incombe l'obligation de faire installer une prise de courant à 3 alvéoles convenablement reliée à la terre, par un électricien qualifié.

Il incombe au client la responsabilité de :

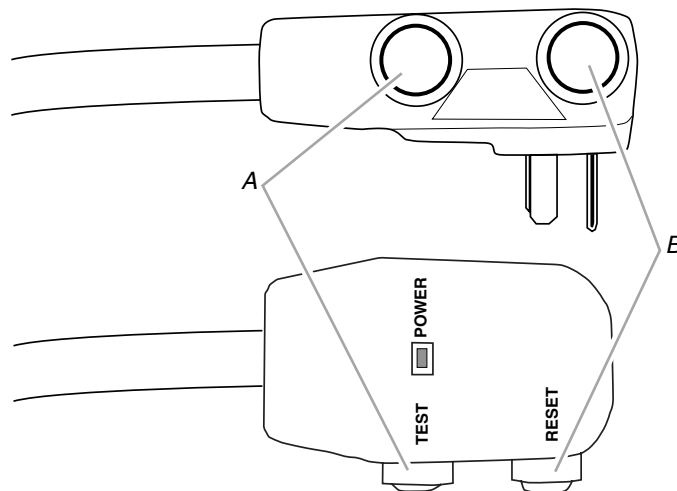
- Contacter un électricien qualifié.
- Veiller à ce que l'installation électrique soit réalisée de façon adéquate et en conformité avec le code national de l'électricité, ANSI/NFPA 70—dernière édition, et tous les codes et règlements locaux en vigueur.

On peut obtenir des exemplaires des normes mentionnées à l'adresse suivante :

National Fire Protection Association
1 Batterymarch Park
Quincy, MA 02169

Cordon d'alimentation

REMARQUE : Votre climatiseur peut différer de celui qui est illustré.



A. Bouton Test
B. Bouton Reset (réinitialisation)

Ce climatiseur de fenêtre est équipé d'un cordon d'alimentation conforme aux exigences de UL. Ce cordon d'alimentation comporte des circuits électroniques d'avant-garde détectant les courants de fuite. En cas d'écrasement du cordon d'alimentation, les circuits électroniques détectent les courants de fuite et l'alimentation est interrompue en une fraction de seconde.

⚠ AVERTISSEMENT



Risque de choc électrique

Brancher sur une prise à 3 alvéoles reliée à la terre.

Ne pas enlever la broche de liaison à la terre.

Ne pas utiliser un adaptateur.

Ne pas utiliser un câble de rallonge.

Le non-respect de ces instructions peut causer un décès, un incendie ou un choc électrique.

Pour tester le cordon d'alimentation :

1. Brancher le cordon d'alimentation dans une prise à 3 alvéoles reliée à la terre.

2. Appuyer sur RESET (réinitialisation) (sur certains appareils une lumière verte s'allume).
3. Appuyer sur TEST (un déclic se fait entendre, le bouton Reset se déclenche et ressort et sur certains appareils une lumière verte s'éteint).
4. Appuyer sur le bouton RESET et le relâcher (un déclic se fait entendre, le bouton Reset s'enclenche et reste enfoncé, et sur certains appareils une lumière verte s'allume). Le cordon d'alimentation est prêt à être utilisé.

REMARQUES :

- Le bouton Reset (réinitialisation) doit être enfoncé pour une utilisation correcte.
- Le cordon d'alimentation doit être remplacé s'il ne se déclenche pas lorsqu'on appuie sur le bouton de test ou si l'appareil n'est pas réinitialisé.
- Ne pas utiliser le cordon d'alimentation comme interrupteur. Le cordon d'alimentation a été conçu comme un dispositif de protection.
- Un cordon d'alimentation endommagé doit être remplacé par un nouveau cordon d'alimentation obtenu auprès du fabricant et ne doit pas être réparé.
- Le cordon d'alimentation ne comprend aucune pièce utilisable. Ouvrir le boîtier inviolable annule toute garantie et réclamation pour mauvaise performance.

INSTRUCTIONS D'INSTALLATION — 5500 BTU, 6300 BTU, 8000 BTU

Déballage du climatiseur

⚠ AVERTISSEMENT

Risque du poids excessif

Utiliser deux ou plus de personnes pour déplacer et installer le climatiseur.

Le non-respect de cette instruction peut causer une blessure au dos ou d'autre blessure.

Enlever les matériaux d'emballage

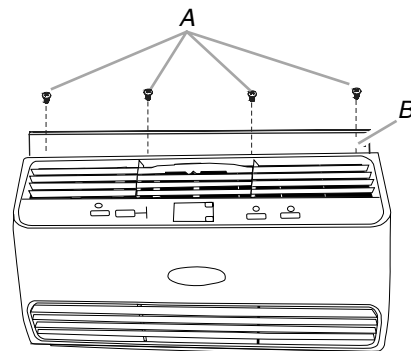
- Manipuler le climatiseur avec précaution lors de son déballage.
- Couper les 4 bandes de plastique qui maintiennent le carton.
- Retirer le haut du carton et dégager le climatiseur de sa plaque protectrice au fond.
- Enlever tout résidu de ruban adhésif et de colle des surfaces avant de mettre le climatiseur en marche. Frotter une petite quantité de savon liquide à vaisselle sur l'adhésif avec les doigts. Rincer à l'eau tiède et sécher.
- Ne pas utiliser d'instruments coupants, d'alcool à friction, de liquides inflammables ou de nettoyants abrasifs pour enlever le ruban adhésif ou la colle. Ces produits peuvent endommager la surface de votre climatiseur.
- Retirer les matériaux d'emballage insérés dans les persiennes latérales.
- Éliminer/recycler les matériaux d'emballage.

Préparation du climatiseur pour l'installation

Installation de la glissière supérieure

1. Retirer la pellicule de protection de l'adhésif sur le joint de rainure supérieure et le coller à la rainure supérieure, en alignant les trous du joint à ceux de la rainure supérieure.
2. Placer la glissière supérieure au sommet du climatiseur; aligner les trous de la rainure supérieure avec les trous au sommet du climatiseur.
3. À l'aide des quatre vis de $\frac{3}{8}$ " , fixer la rainure supérieure au climatiseur.

REMARQUE : Votre modèle peut différer de celui qui est illustré.



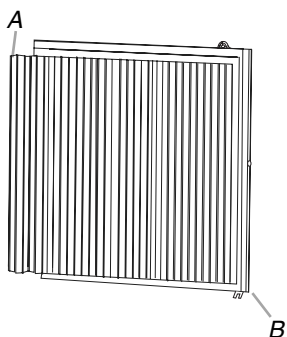
A. Vis de $\frac{3}{8}$ "

B. Glissière supérieure

Installation des rideaux latéraux

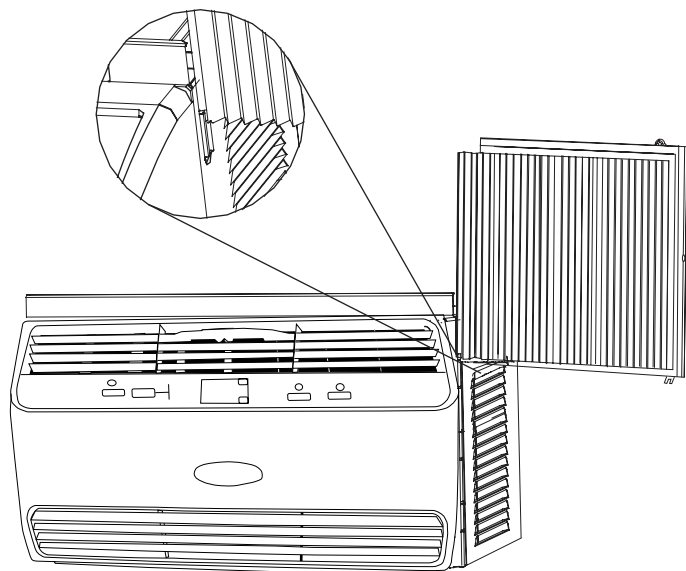
REMARQUE : Fixer les rideaux au climatiseur avant de placer celui-ci dans la fenêtre.

1. Placer le côté à onglet du rideau latéral dans la rainure située du côté droit de la caisse du climatiseur.

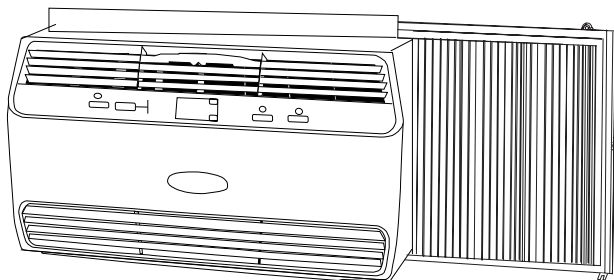


A. Côté à onglet du rideau latéral
B. Cadre du rideau

2. Faire glisser le rideau latéral le long de la rainure jusqu'à ce que le rideau soit aligné avec le sommet et le bas de la caisse du climatiseur.



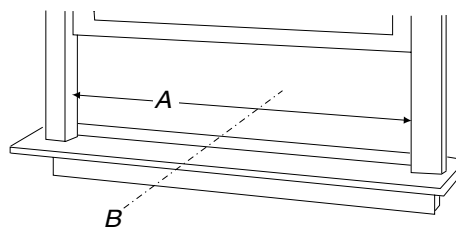
3. Faire glisser le cadre du rideau latéral dans la glissière supérieure et inférieure du climatiseur.



4. Répéter les étapes précédentes pour le rideau et le cadre de gauche.

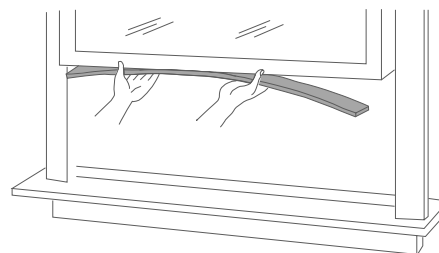
Préparation de la fenêtre pour l'installation

1. Mesurer la largeur d'ouverture de la fenêtre.
2. Marquer l'axe central sur l'appui de fenêtre intérieur.



A. Largeur d'ouverture de la fenêtre
B. Axe central

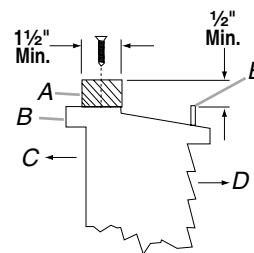
3. Coller le joint mousse à bande adhésive au bas de la fenêtre supérieure.



Préparation des fenêtres avec fenêtre anti-orage ou autres obstacles

1. Suivre les étapes de la partie "Préparation de la fenêtre pour l'installation".
2. Si possible, retirer le châssis de la fenêtre anti-orage ou d'autres obstacles éventuels.
3. S'il n'est pas possible de retirer le châssis de la fenêtre anti-orage ou un autre obstacle, fixer un barreau de bois le long de l'appui de fenêtre, dont l'épaisseur permet une inclinaison correcte vers l'extérieur pour évacuer la condensation de l'appareil.

L'eau de pluie ou la condensation accumulée doit pouvoir s'évacuer.



A. Barreau de bois
B. Appui de fenêtre
C. Intérieur
D. Extérieur
E. Châssis de fenêtre anti-orage ou autre obstacle

Positionnement du climatiseur

⚠ AVERTISSEMENT

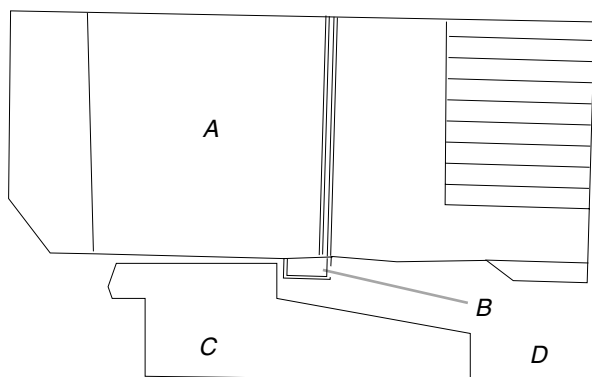
Risque du poids excessif

Utiliser deux ou plus de personnes pour déplacer et installer le climatiseur.

Le non-respect de cette instruction peut causer une blessure au dos ou d'autre blessure.

REMARQUES :

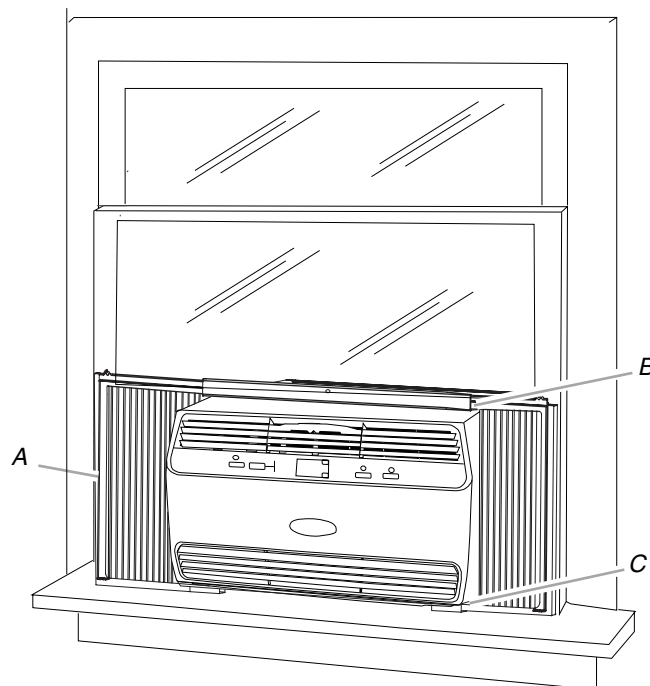
- Manipuler le climatiseur délicatement.
 - S'assurer que le climatiseur ne tombe pas de l'ouverture lors de l'installation ou de la dépose.
 - Le point à partir duquel le cordon d'alimentation sort du climatiseur ne doit pas se trouver à plus de 6 pi (183 cm) d'une prise reliée à la terre.
 - Ne pas obstruer les persiennes d'arrivée ou de refoulement d'air du panneau avant.
 - Ne pas obstruer les persiennes se trouvant sur la partie extérieure du climatiseur.
1. À deux personnes au moins, placer avec précaution le climatiseur dans la fenêtre et le centrer selon l'axe central repéré précédemment. Vérifier que le profilé inférieur du climatiseur est placé contre l'appui de fenêtre.



A. Climatiseur
B. Profilé inférieur
C. Appui de fenêtre
D. Extérieur

2. Abaisser le châssis mobile de la fenêtre derrière le profilé supérieur pour maintenir le climatiseur en place.

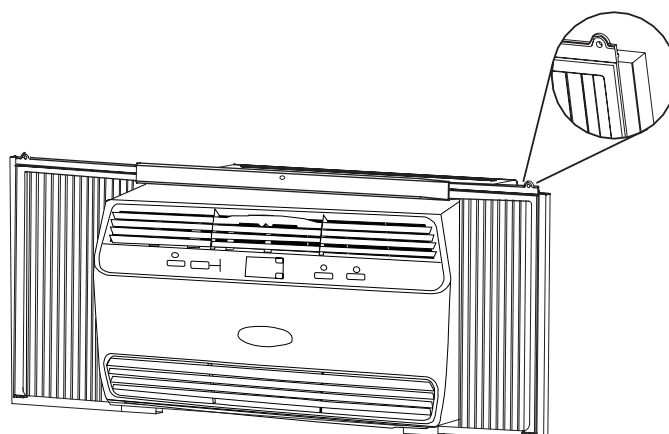
REMARQUE : Votre modèle peut différer de celui qui est illustré.



A. Rideau latéral contre le profilé de la fenêtre
B. Châssis mobile de la fenêtre derrière le profilé supérieur
C. Profilé inférieur en place derrière l'appui de fenêtre.

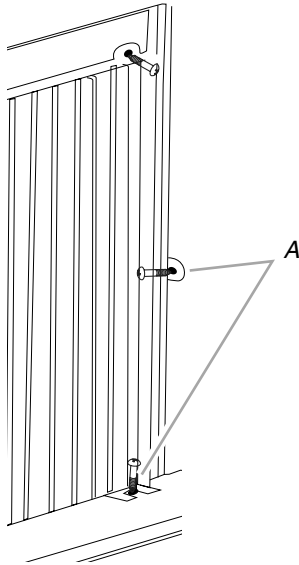
Fixation des rideaux latéraux à la fenêtre

1. Fermer le rideau droit jusqu'à ce qu'il s'insère dans le profilé de la fenêtre.
2. Avec un foret de $\frac{1}{8}$ " , percer un avant-trou à travers le trou supérieur du rideau latéral et dans le châssis de la fenêtre.



3. Insérer l'une des vis de $\frac{3}{4}$ " dans le trou supérieur du rideau de droite et dans le châssis de la fenêtre.
4. Avec un foret de $\frac{1}{8}$ ", percer un avant-trou dans les trous inférieurs ou latéraux du rideau droit et dans le châssis ou l'appui de fenêtre.
5. Fixer une des vis de $\frac{3}{4}$ " dans le trou percé à l'étape 4.

Vis des rideaux latéraux

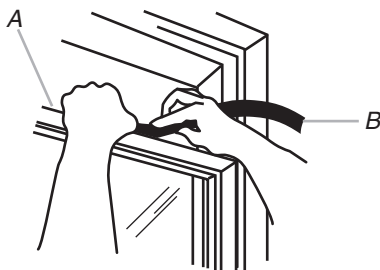


A. Vis facultatives

6. Répéter les étapes 1 à 5 pour fixer le rideau gauche.

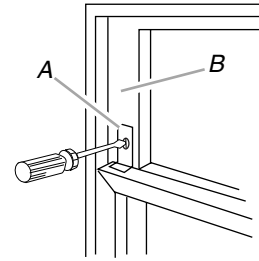
Achever l'installation

1. Insérer le joint en mousse sans bande adhésive derrière le haut de la fenêtre inférieure et contre la vitre de la fenêtre supérieure.



A. Sommet du châssis de fenêtre inférieure
B. Joint en mousse

2. Positionner la patte de blocage de la fenêtre tel qu'illustré. Avec un foret de $\frac{1}{8}$ ", percer un avant-trou dans le trou du support de blocage de la fenêtre et dans la fenêtre supérieure.
3. Fixer la patte de blocage à la fenêtre supérieure avec une vis de $\frac{3}{4}$ " pour immobiliser la fenêtre.



A. Patte de blocage de la fenêtre
B. Fenêtre supérieure

⚠ AVERTISSEMENT



Risque de choc électrique

Brancher sur une prise à 3 alvéoles reliée à la terre.

Ne pas enlever la broche de liaison à la terre.

Ne pas utiliser un adaptateur.

Ne pas utiliser un câble de rallonge.

Le non-respect de ces instructions peut causer un décès, un incendie ou un choc électrique.

4. Brancher la fiche sur une prise de courant à 3 alvéoles, reliée à la terre.
5. Appuyer sur RESET (réinitialisation) sur le cordon d'alimentation. Voir "Spécifications électriques".
6. Retirer la pellicule de plastique transparent du panneau de commande et de la face avant en plastique.

INSTRUCTIONS D'INSTALLATION—10000 BTU, 12000 BTU

Déballage du climatiseur

AVERTISSEMENT

Risque du poids excessif

Utiliser deux ou plus de personnes pour déplacer et installer le climatiseur.

Le non-respect de cette instruction peut causer une blessure au dos ou d'autre blessure.

Enlever les matériaux d'emballage

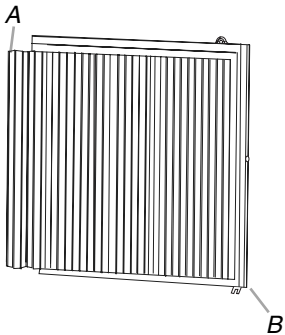
- Manipuler le climatiseur avec précaution lors de son déballage.
- Couper les 4 bandes de plastique qui maintiennent le carton.
- Retirer le haut du carton et dégager le climatiseur de sa plaque protectrice au fond.
- Enlever tout résidu de ruban adhésif et de colle des surfaces avant de mettre le climatiseur en marche. Frotter une petite quantité de savon liquide à vaisselle sur l'adhésif avec les doigts. Rincer à l'eau tiède et sécher.
- Ne pas utiliser d'instruments coupants, d'alcool à friction, de liquides inflammables ou de nettoyants abrasifs pour enlever le ruban adhésif ou la colle. Ces produits peuvent endommager la surface de votre climatiseur.
- Retirer les matériaux d'emballage insérés dans les persiennes latérales.
- Éliminer/recycler les matériaux d'emballage.

Préparation du climatiseur pour l'installation

Installation des rideaux latéraux

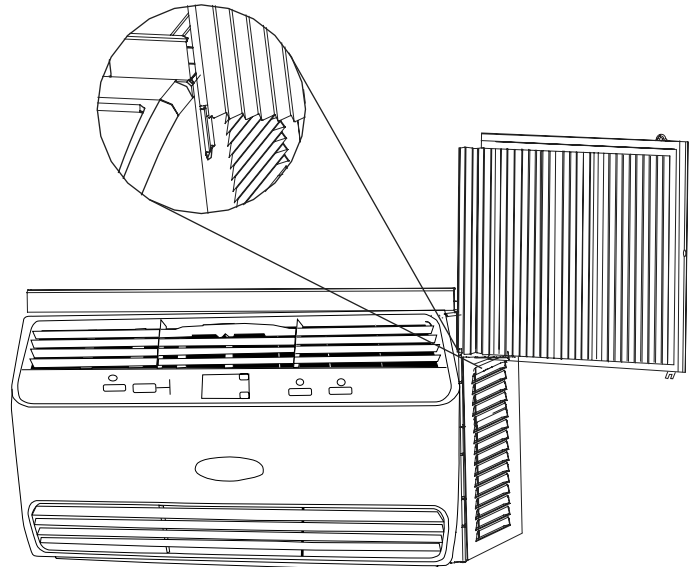
REMARQUE : Fixer les rideaux au climatiseur avant de placer celui-ci dans la fenêtre.

1. Placer le côté à onglet du rideau latéral dans la rainure située du côté droit de la caisse du climatiseur.

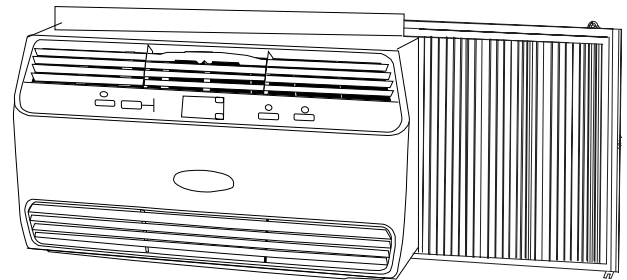


A. Côté à onglet du rideau latéral
B. Cadre du rideau

2. Faire glisser le rideau latéral le long de la rainure jusqu'à ce que le rideau soit aligné avec le sommet et le bas de la caisse du climatiseur.



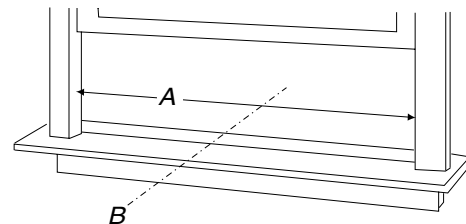
3. Faire glisser le cadre du rideau latéral dans le profilé supérieur et la rainure en bas du climatiseur.



4. Répéter les étapes ci-dessus pour le rideau et le cadre de gauche.

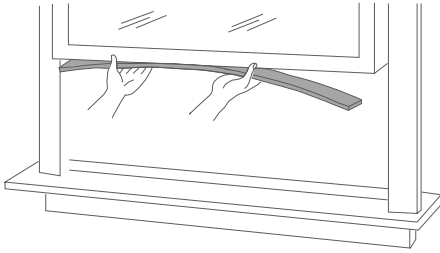
Préparation de la fenêtre pour l'installation

1. Mesurer la largeur d'ouverture de la fenêtre.
2. Marquer l'axe central sur l'appui de fenêtre intérieur.



A. Largeur d'ouverture de la fenêtre
B. Axe central

3. Coller le joint mousse à bande adhésive au bas de la fenêtre supérieure.



Positionnement du climatiseur

⚠ AVERTISSEMENT

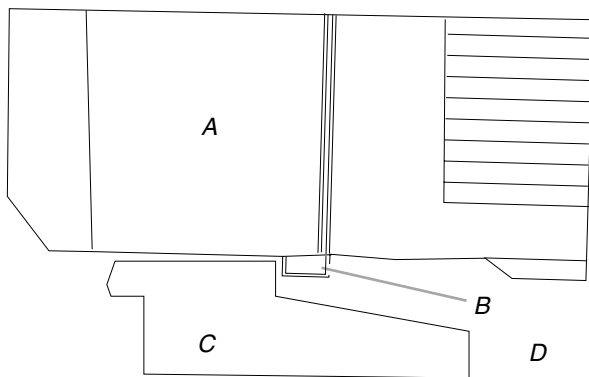
Risque du poids excessif

Utiliser deux ou plus de personnes pour déplacer et installer le climatiseur.

Le non-respect de cette instruction peut causer une blessure au dos ou d'autre blessure.

REMARQUES :

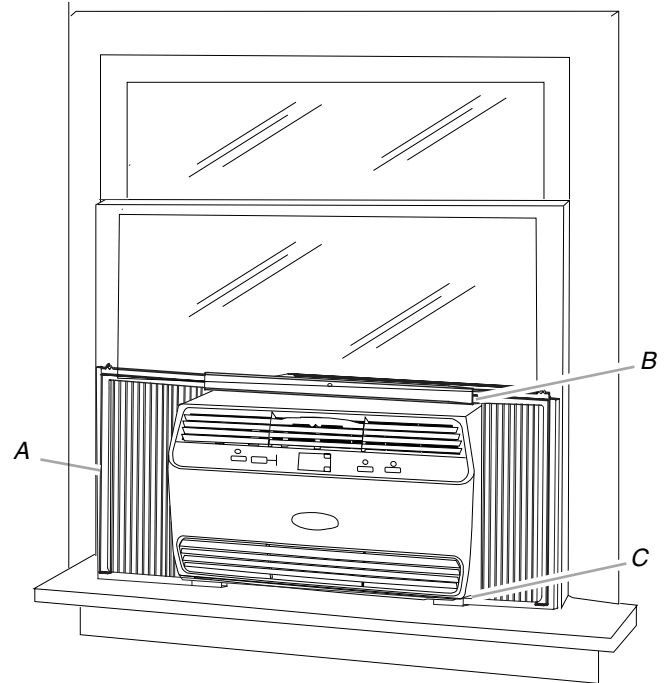
- Manipuler le climatiseur délicatement.
 - S'assurer que le climatiseur ne tombe pas de l'ouverture lors de l'installation ou de la dépose.
 - Le point à partir duquel le cordon d'alimentation ressort du climatiseur ne doit pas se trouver à plus de 6 pi (183 cm) d'une prise reliée à la terre.
 - Ne pas obstruer les persiennes d'arrivée ou de refoulement d'air du panneau avant.
 - Ne pas obstruer les persiennes se trouvant sur la partie extérieure du climatiseur.
1. À deux personnes au moins, placer avec précaution le climatiseur dans la fenêtre et le centrer selon l'axe central repéré précédemment. Vérifier que le profilé inférieur du climatiseur est placé contre l'appui de fenêtre.



A. Climatiseur C. Appui de fenêtre
B. Profilé inférieur D. Extérieur

2. Abaisser le châssis mobile de la fenêtre derrière le profilé supérieur pour maintenir le climatiseur en place.

REMARQUE : Votre modèle peut différer de celui qui est illustré.



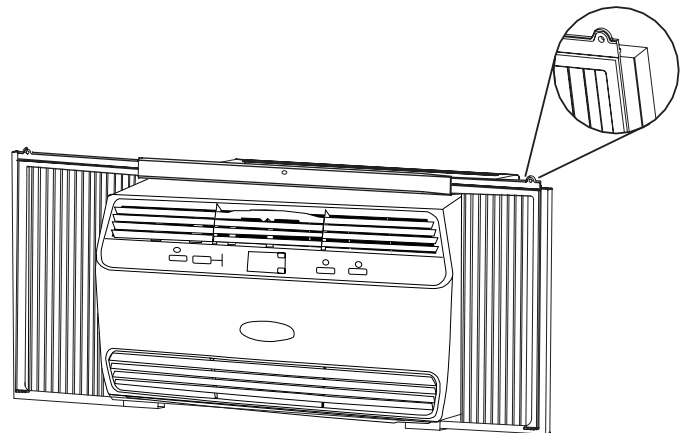
A. Rideau latéral contre le profilé de la fenêtre

B. Châssis mobile de la fenêtre derrière le profilé supérieur

C. Profilé inférieur en place derrière l'appui de fenêtre.

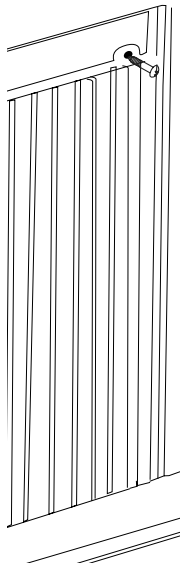
Fixation des rideaux latéraux à la fenêtre

1. Tirer le rideau droit vers l'extérieur jusqu'à ce qu'il s'insère parfaitement dans le profilé de la fenêtre.
2. Avec un foret de 1/8", percer un avant-trou à travers le trou supérieur du rideau latéral et dans le châssis de la fenêtre.



3. Insérer l'une des vis de $\frac{3}{4}$ " dans le trou supérieur du rideau de droite et dans le châssis de la fenêtre.

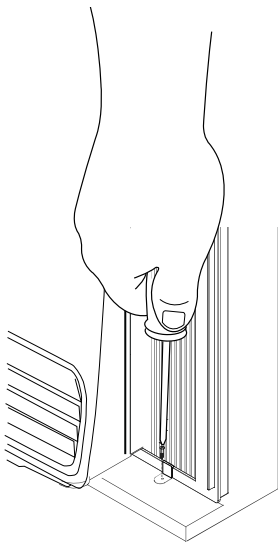
Vis des rideaux latéraux



4. Répéter les étapes 1 à 3 pour fixer le rideau gauche.

Fixation des rideaux latéraux à l'appui de fenêtre : support d'appui de fenêtre (sur certains modèles)

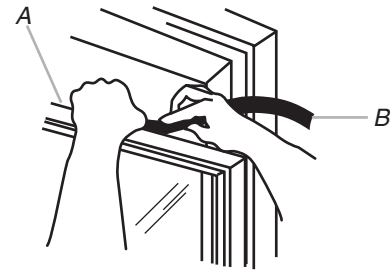
1. Glisser le support latéral sur le bas du cadre du rideau droit.
2. Utiliser un foret de $\frac{1}{8}$ " pour percer un avant-trou dans le trou du support latéral et l'appui de fenêtre.
3. À l'aide d'une vis de $\frac{3}{4}$ ", fixer le support latéral à l'appui de fenêtre.



4. Répéter l'opération pour l'installation du support latéral situé du côté gauche du climatiseur.

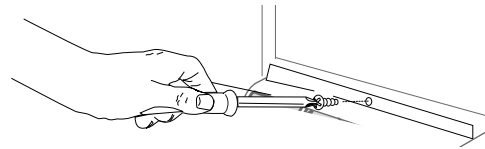
Achever l'installation

1. Insérer le joint en mousse sans adhésif derrière la partie supérieure du châssis inférieur de la fenêtre et contre la vitre de la partie supérieure de la fenêtre.

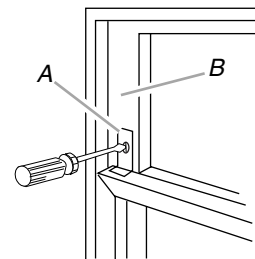


A. Sommet du châssis de la partie inférieure de la fenêtre
B. Joint en mousse

2. Utiliser un foret de $\frac{1}{8}$ " pour percer un avant-trou dans le trou du profilé supérieur et dans le châssis de fenêtre.
3. Fixer le profilé supérieur au châssis de fenêtre à l'aide d'une vis de $\frac{3}{4}$ " pour immobiliser la fenêtre.



4. Positionner la patte de blocage de la fenêtre tel qu'illustré. Avec un foret de $\frac{1}{8}$ ", percer un avant-trou dans le trou du support de blocage de la fenêtre et dans la partie supérieure de la fenêtre.
5. Fixer la patte de blocage à la fenêtre supérieure avec une vis de $\frac{3}{32}$ " pour fixer la fenêtre.



A. Patte de blocage de la fenêtre
B. Fenêtre supérieure

⚠ AVERTISSEMENT



Risque de choc électrique

Brancher sur une prise à 3 alvéoles reliée à la terre.

Ne pas enlever la broche de liaison à la terre.

Ne pas utiliser un adaptateur.

Ne pas utiliser un câble de rallonge.

Le non-respect de ces instructions peut causer un décès, un incendie ou un choc électrique.

6. Brancher la fiche sur une prise de courant à 3 alvéoles, reliée à la terre.

7. Appuyer sur RESET (réinitialisation) sur le cordon d'alimentation. Voir "Spécifications électriques".

8. Retirer la pellicule de plastique transparent du tableau de commande et de la face avant en plastique.

UTILISATION DU CLIMATISEUR

Une bonne utilisation de votre climatiseur vous aidera à obtenir les meilleurs résultats possibles.

Cette section explique le fonctionnement correct du climatiseur.

IMPORTANT :

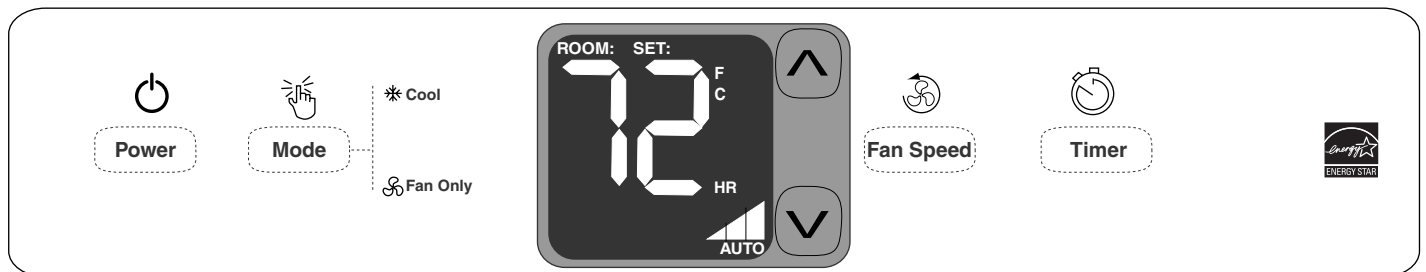
- Si on doit éteindre le climatiseur, attendre au moins 3 minutes avant de le rallumer. Ceci empêche le climatiseur de faire griller un fusible ou déclencher le disjoncteur.

- Ne pas tenter de faire fonctionner le climatiseur en mode Cool (refroidissement), Eco (économique, disponible sur certains modèles) et Overnight (nuit, disponible sur certains modèles) lorsque la température extérieure est inférieure à 65°F (18°C). Le serpentin de l'évaporateur intérieur gèlera et le climatiseur ne fonctionnera pas correctement.

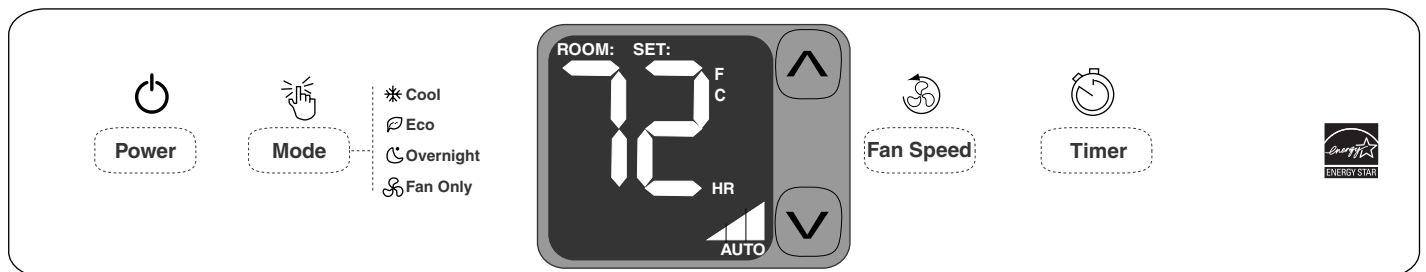
REMARQUE : En cas de panne de courant, votre climatiseur fonctionnera aux réglages précédents une fois le courant rétabli.

Mise en marche du climatiseur

5500 Btu

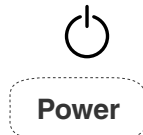


6300 à 12k Btu



REMARQUE : Lorsque le climatiseur est en mode veille, la diode rouge d'alimentation Power est allumée.

1. Appuyer sur POWER (mise sous tension) pour mettre en marche le climatiseur. La diode d'alimentation rouge Power passe au bleu.



REMARQUE : Lorsque le climatiseur est branché pour la première fois, la diode Power d'alimentation est rouge, indiquant que l'appareil est en mode veille. Lorsque le climatiseur est allumé pour la première fois après son branchement, la diode d'alimentation passe au bleu, le mode est réglé sur Cool (refroidissement) et la vitesse du ventilateur est réglée sur Auto.

L'affichage indique la température réglée en usine de 72°F (22°C) pendant 5 secondes, puis affiche la température ambiante.

Lorsque le climatiseur est allumé les fois suivantes, l'appareil fonctionne d'après les réglages précédents. L'affichage indique les réglages précédents pendant 5 secondes, puis la température ambiante.

2. Sélectionner le mode. Voir "Mode".
3. Régler la température. Voir "Température".
4. Sélectionner la vitesse du ventilateur. Voir "Vitesse du ventilateur".

REMARQUES :

- Le réglage Auto de la vitesse du ventilateur et de la température ne sont pas disponibles en mode Fan Only (ventilateur seulement).
- Dans les modes Eco (économique) (sur certains modèles) et Cool (refroidissement), la vitesse du ventilateur est réglée automatiquement sur Auto.

Mode

1. Appuyer sur MODE jusqu'à ce que le témoin lumineux corresponde au réglage souhaité.
2. Choisir Cool (refroidissement), Eco (économique, disponible sur certains modèles), Overnight (nuit, disponible sur certains modèles) ou Fan Only (ventilateur seulement).

- Cool (refroidissement) : Refroidit la pièce. Fan Speed (vitesse du ventilateur) est réglé sur Auto (automatique). Appuyer sur le bouton à flèche vers le haut/bas pour régler la température.
- Eco (sur certains modèles) : Mode à économie d'énergie. Le compresseur et le ventilateur fonctionnent jusqu'à atteindre la température de consigne, puis le compresseur s'éteint. Le ventilateur tourne encore une minute avant de s'éteindre. Règle automatiquement la vitesse du ventilateur sur Auto. Appuyer sur le bouton à flèche vers le haut/bas pour régler la température.
- Nuit (8 heures, disponible sur certains modèles) : Augmente automatiquement la température de consigne de 4°F (2°C). Fan Speed (vitesse du ventilateur) est réglé sur Low (basse). Appuyer sur le bouton à flèche vers le haut/bas pour régler la température. La température de consigne augmente de 2°F (1°C) par heure pendant les 2 premières heures, puis reste sur ce réglage pendant les 6 heures suivantes.

À la fin du mode Overnight, le climatiseur passe au mode Cool et le réglage du thermostat revient à la température d'origine du mode Overnight.

REMARQUE : Les diodes du panneau de commande s'éteignent 10 secondes après le réglage du mode Overnight. Pour réactiver les diodes et allumer le panneau de commande, appuyer sur n'importe quel bouton du panneau de commande ou de la télécommande.

- Fan Only : Seul le ventilateur fonctionne. Appuyer sur FAN SPEED (vitesse du ventilateur) pour sélectionner Low (basse), Medium (moyenne) ou High (élevée). Le témoin à barres indique 1 barre pour le réglage Low, 2 barres pour le réglage Medium et 3 barres pour le réglage High de la vitesse du ventilateur. L'affichage de température indique "1" pour le réglage Low, "2" pour le réglage Medium et "3" pour le réglage High de la vitesse du ventilateur. Après 5 secondes, l'afficheur indique la température ambiante.

REMARQUES :

- Les réglages Auto de la vitesse du ventilateur et de la température ne sont pas disponibles en mode Fan Only (ventilateur seulement).
- Dans les modes Eco (économique) (sur certains modèles) et Cool (refroidissement), la vitesse du ventilateur est réglée automatiquement sur Auto.

REMARQUE : Votre modèle peut différer de celui qui est illustré.



REMARQUE : Après 5 secondes, l'afficheur indique la température ambiante.

Vitesse du ventilateur

1. Appuyer sur FAN SPEED (vitesse du ventilateur) jusqu'à ce que le témoin à barres indique le réglage souhaité.
2. Choisir High (élevée), Med (moyenne), Low (basse) ou Auto (automatique).
 - Low : refroidissement faible : 1 barre et "1" indiqué dans l'affichage de température
 - Med : refroidissement normal : 2 barres et "2" indiqué dans l'affichage de température
 - High : refroidissement maximal : 3 barres et "3" indiqué dans l'affichage de température
 - Auto : gestion automatique de la vitesse du ventilateur en fonction de la température ambiante et du réglage de température. "A" est indiqué dans l'affichage de température et 1, 2 ou 3 barres indiquent la vitesse actuelle du ventilateur.

REMARQUES :

- Les réglages Auto de la vitesse du ventilateur et de la température ne sont pas disponibles en mode Fan Only (ventilateur seulement).

- Dans les modes Eco (économique) (sur certains modèles) et Cool (refroidissement), la vitesse du ventilateur est réglée automatiquement sur Auto.
- Dans le mode Overnight (nuit) (sur certains modèles), la vitesse du ventilateur est réglée automatiquement sur Low (basse).

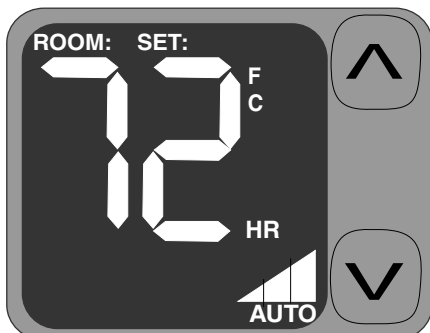


REMARQUE : Après 5 secondes, l'afficheur indique la température ambiante.

Temperature (température)

- Appuyer sur le bouton à flèche vers le haut pour augmenter la température. À chaque pression sur le bouton à flèche vers le haut ou si on le maintient enfoncé, la température augmente de 1°F (1°C) jusqu'à atteindre 86°F (30°C).

REMARQUE : Après 5 secondes, l'afficheur indique la température ambiante.



- Appuyer sur le bouton à flèche vers le bas pour diminuer la température. À chaque pression sur le bouton à flèche vers le bas ou si on le maintient enfoncé, la température diminue de 1°F (1°C) jusqu'à atteindre 61°F (16°C).

REMARQUE : Après 5 secondes, l'afficheur indique la température ambiante.

Passage des degrés Fahrenheit aux degrés Celsius

Appuyer sur les boutons à flèche vers le haut et vers le bas et les maintenir enfoncés pour passer des F° aux C°. Relâcher les boutons une fois que C° s'allume.

Minuterie

Pour régler un délai de 1 à 24 heures avant l'arrêt du climatiseur (le climatiseur doit être en marche) :

1. Appuyer sur TIMER (minuterie). L'afficheur présente le nombre d'heures restant avant l'arrêt du climatiseur.
2. Appuyer sur le bouton à flèche (vers le haut ou vers le bas) pour changer la durée de délai (1 à 24 heures).
3. Appuyer de nouveau sur TIMER pendant que le temps restant est indiqué sur l'affichage ou patienter 5 secondes pour que l'appareil mémorise automatiquement les réglages.

REMARQUE : Lorsque le climatiseur s'arrête, la diode rouge du bouton Power s'allume pour indiquer le mode veille. La diode de la minuterie Timer s'éteint.

4. Pour afficher la durée restante avant l'arrêt du climatiseur, appuyer une fois sur TIMER. En appuyant une nouvelle fois sur Timer pendant que la durée restante est indiquée sur l'affichage, le réglage est annulé.

Régler la mise en marche différée du climatiseur en conservant les réglages précédents :

1. Arrêter le climatiseur.
2. Appuyer sur TIMER (minuterie). L'afficheur indique le nombre d'heures restant avant la mise en marche du climatiseur.
3. Appuyer sur le bouton à flèche vers le haut ou vers le bas pour changer le délai de 1 à 24 heures.
4. Appuyer de nouveau sur TIMER pendant que le temps restant est indiqué sur l'affichage ou patienter 5 secondes pour que l'appareil mémorise automatiquement les réglages. L'affichage indique la température ambiante. La diode de la minuterie Timer reste allumée.
5. Pour afficher la durée restante avant la mise en marche du climatiseur, appuyer une fois sur TIMER. En appuyant une nouvelle fois sur Timer pendant que la durée restante est indiquée sur l'affichage, le réglage est annulé.

Régler la mise en marche différée du climatiseur en changeant les réglages précédents :

1. Choisir le mode Cool (refroidissement), Eco (économique, disponible sur certains modèles), Overnight (nuit, disponible sur certains modèles) ou Fan Only (ventilateur seulement).
2. Appuyer sur le bouton à flèche vers le haut ou vers le bas pour régler la température entre 61°F et 86°F (16°C et 30°C).
3. Régler la vitesse du ventilateur sur Low (basse), Medium (moyenne), High (élevée) ou Auto (automatique).

REMARQUES :

- Les réglages Auto de la vitesse du ventilateur et de la température ne sont pas disponibles en mode Fan Only (ventilateur seulement).
 - Dans les modes Eco (économique, disponible sur certains modèles) et Cool (refroidissement), la vitesse du ventilateur est réglée automatiquement sur Auto.
4. Arrêter le climatiseur.
 5. Appuyer sur TIMER (minuterie). L'afficheur indique le nombre d'heures restant avant la mise en marche du climatiseur.
 6. Appuyer sur le bouton à flèche vers le haut ou vers le bas pour changer le délai de 1 à 24 heures.
 7. Appuyer de nouveau sur TIMER pendant que le temps restant est indiqué sur l'affichage ou patienter 5 secondes pour que l'appareil mémorise automatiquement les réglages. La diode de la minuterie Timer reste allumée.
 8. Pour afficher la durée restante avant la mise en marche du climatiseur, appuyer une fois sur TIMER. En appuyant une nouvelle fois sur Timer pendant que la durée restante est indiquée sur l'affichage, le réglage est annulé.

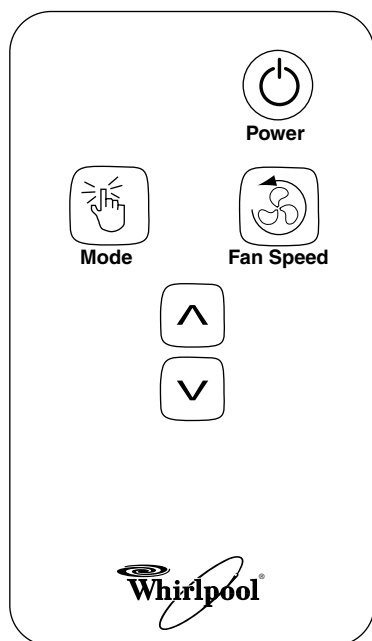
Annulation de la minuterie

Appuyer deux fois sur TIMER (minuterie) pour annuler la minuterie.



Utilisation de la télécommande

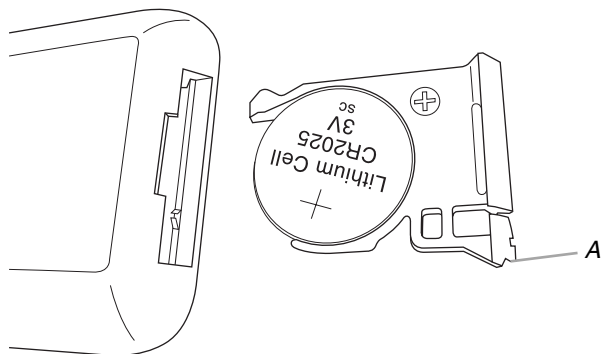
REMARQUE : L'apparence de la télécommande peut varier.



REMARQUE : La télécommande est alimentée par une pile CR2025 (fournie). Remplacer la pile après 6 mois d'utilisation ou lorsque le témoin bleu clignote 5 fois toutes les 10 minutes.

Pour remplacer la pile, retourner la télécommande. Avec l'ongle du pouce, débloquer la languette du couvercle porte-pile et retirer ce dernier avec l'index.

Replacer la pile dans le couvercle porte-pile comme illustré dans l'image suivante, en faisant correspondre sa borne positive (+) avec le côté positif (+) du couvercle porte-pile. Glisser le couvercle porte-pile dans la télécommande.

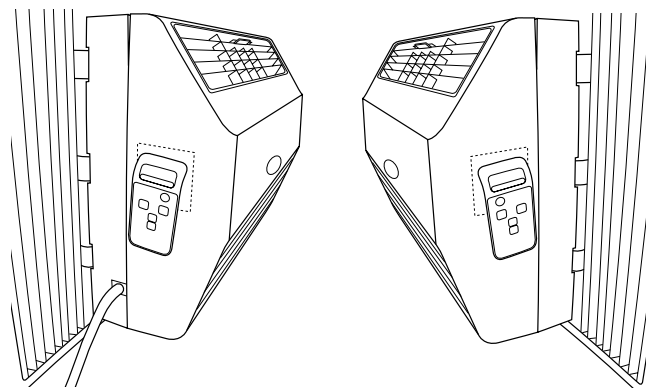


A. Languette

Rangement de la télécommande

Ranger la télécommande en collant l'aimant situé à l'arrière sur le côté de la caisse du climatiseur, aux endroits indiqués dans l'illustration suivante.

REMARQUE : Les lignes pointillées ne figurent pas sur la caisse de l'appareil. Elles illustrent seulement l'emplacement des plaques métalliques.



Power (mise sous tension)

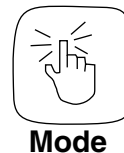
1. Appuyer sur POWER (mise sous tension) pour allumer le climatiseur.
2. Appuyer de nouveau sur POWER (mise hors tension) pour éteindre le climatiseur.



Power

Mode

Appuyer sur MODE pour sélectionner Cool (refroidissement), Eco (économique, disponible sur certains modèles), Overnight (nuit, disponible sur certains modèles) ou Fan Only (ventilateur seulement).



Mode

Vitesse du ventilateur

1. Appuyer sur FAN SPEED (vitesse du ventilateur) jusqu'à ce que le témoin à barres du panneau de commande du climatiseur indique le réglage souhaité.
2. Choisir High (élevée), Medium (moyenne), Low (basse) ou Auto (automatique).

REMARQUES :

- Les réglages Auto de la vitesse du ventilateur et de la température ne sont pas disponibles en mode Fan Only (ventilateur seulement).
- Dans les modes Eco (économique, disponible sur certains modèles) et Cool (refroidissement), la vitesse du ventilateur est réglée automatiquement sur Auto.



Fan Speed

REMARQUE : Après 5 secondes, l'afficheur du panneau de commande du climatiseur indique la température ambiante.

Temperature (température)

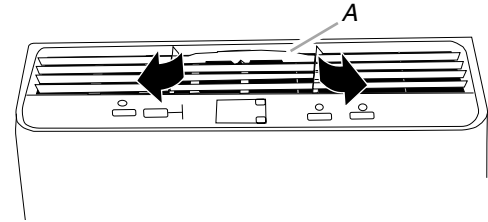
- Appuyer sur le bouton à flèche vers le haut pour augmenter la température. À chaque pression sur le bouton à flèche vers le haut ou si on le maintient enfoncé, la température augmente de 1°F (1°C) jusqu'à atteindre 86°F (30°C).



- Appuyer sur le bouton à flèche vers le bas pour diminuer la température. À chaque pression sur le bouton à flèche vers le bas ou si on le maintient enfoncé, la température diminue de 1°F (1°C) jusqu'à atteindre 61°F (16°C).

Changement de direction de l'air

Tourner la roue pour diriger l'air vers la gauche ou vers la droite.



A. Roue

ENTRETIEN DU CLIMATISEUR

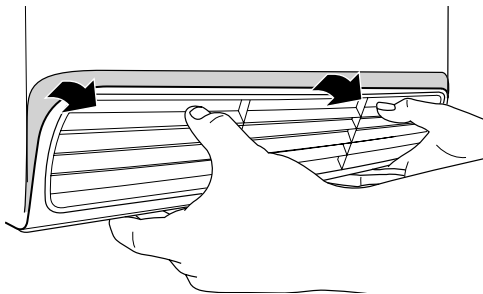
Votre nouveau climatiseur est conçu pour vous fournir de nombreuses années de service fiable. Cette section vous expliquera comment nettoyer et entretenir votre climatiseur correctement. Contacter votre marchand local autorisé pour une vérification annuelle. À noter... le coût de ce service est à votre charge.

Nettoyage du filtre à air

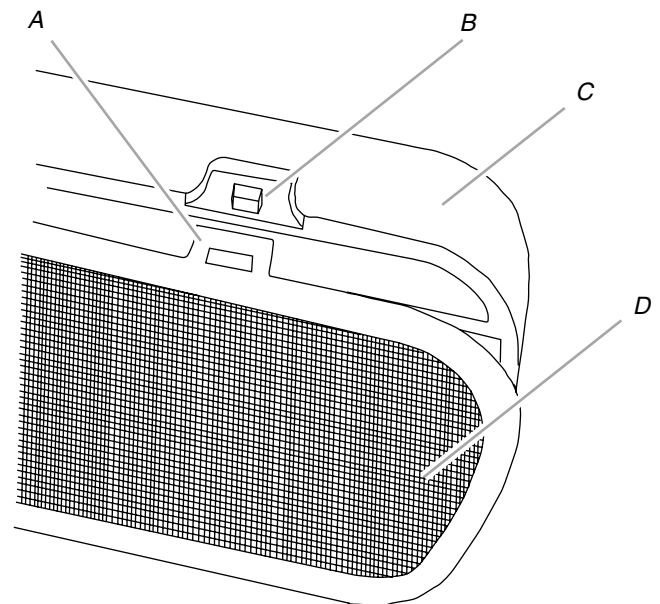
Le filtre à air est amovible pour faciliter le nettoyage. Un filtre à air propre aide à retenir les particules de poussière, la charpie et autres débris en suspension dans l'air et est important pour obtenir le meilleur refroidissement et la meilleure efficacité de fonctionnement. Vérifier le filtre toutes les 2 semaines pour déterminer si un nettoyage est nécessaire.

REMARQUE : Ne pas faire fonctionner le climatiseur sans que le filtre ne soit en place.

1. Éteindre le climatiseur.
2. Retirer le filtre à air en appuyant sur les languettes de la grille d'entrée d'air, puis en tirant la grille.



3. Retirer le filtre de la grille en le soulevant pour dégager les languettes fendues en haut et en bas.



A. Languette fendue
B. Soulever la languette fendue pour retirer.

C. Grille d'entrée d'air
D. Filtre à air

4. Nettoyer le filtre à air à l'aspirateur. Si le filtre est très sale, le laver avec de l'eau tiède et un détergent doux.

REMARQUE : Ne pas laver le filtre à air au lave-vaisselle ni utiliser un produit nettoyant chimique. Faire sécher parfaitement le filtre à air avant de le réinstaller, afin d'assurer une efficacité maximale.

5. Remonter le filtre à air dans la grille d'entrée d'air.
6. Engager la grille d'entrée d'air dans les fentes du climatiseur et l'emboîter en place.

Nettoyage du panneau avant

1. Débrancher le climatiseur ou déconnecter la source de courant électrique.
2. Nettoyer le panneau avant avec un chiffon doux humide.
3. Bien faire sécher le panneau avant à l'air libre.

Remise en état de la peinture

Inspecter l'appareil une ou deux fois par an pour déterminer si la peinture est endommagée. Ceci est très important, particulièrement dans les régions proches de la mer ou lorsque la rouille représente un problème. Le cas échéant, faites des retouches avec une peinture émail de bonne qualité.

Entretien annuel

Votre climatiseur nécessite un entretien annuel pour aider à assurer un rendement maximal toute l'année. Contacter votre marchand local autorisé pour fixer un examen annuel. Le coût de l'examen annuel est à votre charge.

DÉPANNAGE

Avant de faire un appel de service, consulter les suggestions ci-dessous pour voir si le problème peut être résolu sans aide extérieure.

Le climatiseur ne fonctionne pas

⚠ AVERTISSEMENT



Risque de choc électrique

Brancher sur une prise à 3 alvéoles reliée à la terre.

Ne pas enlever la broche de liaison à la terre.

Ne pas utiliser un adaptateur.

Ne pas utiliser un câble de rallonge.

Le non-respect de ces instructions peut causer un décès, un incendie ou un choc électrique.

- **Le cordon d'alimentation électrique est débranché.** Brancher l'appareil sur une prise à 3 alvéoles reliée à la terre. Voir "Spécifications électriques".
- **Le cordon d'alimentation s'est déclenché (bouton Reset (réinitialisation) est ressorti).** Appuyer sur RESET et relâcher (un déclic se fait entendre, le bouton Reset s'enclenche et sur certains appareils, une lumière verte s'allume) pour poursuivre l'utilisation.
- **Un fusible est grillé ou un disjoncteur s'est ouvert.** Remplacer le fusible ou réenclencher le disjoncteur. Si le problème persiste, appeler un électricien. Voir "Spécifications électriques".
- **On n'a pas appuyé sur le bouton d'alimentation.** Appuyer sur POWER.
- **Le circuit d'alimentation local est en panne.** Attendre que l'alimentation locale soit rétablie.

Le climatiseur fait griller les fusibles ou déclenche les disjoncteurs

- **Trop d'appareils sont branchés sur le même circuit.** Débrancher ou déplacer les appareils partageant le même circuit.
- **L'utilisateur emploie un fusible temporisé ou un disjoncteur de capacité inappropriée.** Les remplacer par un fusible temporisé ou un disjoncteur de capacité correcte. Voir "Spécifications électriques".
- **Vous utilisez un câble de rallonge.** Ne pas utiliser de câble de rallonge avec cet appareil ou avec tout autre appareil.
- **L'utilisateur tente de remettre le climatiseur en marche trop rapidement après l'avoir arrêté.** Attendre au moins 3 minutes après l'arrêt du climatiseur avant de tenter une nouvelle mise en marche.

Le cordon d'alimentation du climatiseur se déclenche (le bouton Reset s'éjecte)

- **Des perturbations dans le courant électrique peuvent déclencher le cordon d'alimentation (le bouton Reset ressort).** Appuyer sur RESET et relâcher (un déclic se fait entendre, le bouton Reset s'enclenche et sur certains appareils, une lumière verte s'allume) pour poursuivre l'utilisation.
- **Une surcharge électrique, une surchauffe, l'écrasement ou le vieillissement du cordon ou du produit peuvent entraîner le déclenchement du cordon d'alimentation électrique (le bouton Reset ressort).** Après avoir corrigé le problème, appuyer sur RESET puis relâcher (un déclic se fait entendre, le bouton Reset s'enclenche et sur certains appareils, un témoin lumineux vert s'allume) pour poursuivre l'utilisation.

REMARQUE : Un cordon d'alimentation endommagé ne doit pas être réparé mais remplacé par un cordon d'alimentation neuf que l'on peut se procurer auprès du fabricant du produit.

Le climatiseur semble se mettre en marche trop fréquemment

- **Ce climatiseur remplace un modèle ancien.** Du fait de l'utilisation de composants plus efficaces, il est possible que le climatiseur fonctionne pendant de plus longues périodes que l'ancien modèle, mais sa consommation totale d'énergie sera plus faible. Les nouveaux climatiseurs ne projettent pas un puissant jet d'air froid comme les anciens modèles, mais ceci n'indique pas une réduction de la capacité de refroidissement ou de l'efficacité. Se référer à l'indice d'efficacité (EER) et l'indice de capacité (en Btu/h) indiqués sur le climatiseur.
- **Le climatiseur est installé dans une pièce encombrée ou dans laquelle des appareils générateurs de chaleur sont installés.** Utiliser des ventilateurs d'évacuation d'air pendant les opérations de cuisson ou pendant le bain, et essayer de ne pas utiliser d'appareils générateurs de chaleur pendant les périodes les plus chaudes de la journée. Il peut être nécessaire de choisir un climatiseur de plus grande puissance, selon la taille de la pièce à refroidir.

Le climatiseur s'allume et s'éteint trop fréquemment ou ne refroidit pas la pièce au mode refroidissement

- **La taille du climatiseur n'est pas appropriée à la pièce.** Vérifier la capacité de refroidissement du climatiseur de fenêtre. Les climatiseurs pour une seule fenêtre ne sont pas conçus pour refroidir plusieurs pièces.
- **Le filtre est sale ou obstrué par des débris.** Nettoyer le filtre.
- **Les surfaces de l'évaporateur interne et du condenseur externe sont sales ou obstruées par des débris.** Voir "Entretien annuel".

- **Il y a trop de chaleur ou d'humidité dans la pièce (cuisson dans des récipients sans couvercle, douches, etc.).** Utiliser un ventilateur pour évacuer la chaleur ou l'humidité de la pièce. Essayer de ne pas utiliser des appareils générateurs de chaleur pendant les périodes les plus chaudes de la journée.
- **Les persiennes sont obstruées.** Installer le climatiseur dans un endroit où les persiennes ne sont pas obstruées par des rideaux, stores, meubles, etc.
- **La température extérieure est inférieure à 65°F (18°C).** Ne pas essayer de faire fonctionner le climatiseur au mode de refroidissement lorsque la température extérieure est inférieure à 65°F (18°C).
- **La température de la pièce à refroidir est extrêmement élevée.** Accorder du temps supplémentaire au climatiseur pour refroidir une pièce très chaude.
- **Les fenêtres ou portes sur l'extérieur sont ouvertes.** Fermer toutes les portes et fenêtres.
- **La commande de température ne se trouve pas sur un réglage suffisamment froid.** Ajuster la température à un réglage à un réglage plus froid en appuyant sur le bouton "moins" pour réduire la température. Régler la commande de Fan Speed (vitesse du ventilateur) sur le réglage désiré.

Fuite d'eau provenant de la caisse dans la maison

- **Le climatiseur n'est pas de niveau.** Le climatiseur doit être légèrement incliné vers le bas et vers l'extérieur. Mettre le climatiseur de niveau de façon à ce qu'il soit incliné vers le bas et vers l'extérieur afin d'assurer un écoulement correct. Voir les Instructions d'installation.
- REMARQUE :** Ne pas percer un trou dans le fond de la base métallique ou du bac de condensation.

Sons normaux

Lorsque le climatiseur fonctionne normalement, on peut percevoir certains sons comme :

- Gouttelettes d'eau qui heurtent le condenseur, causant un cliquetis ou un cliquettement. Les gouttelettes d'eau contribuent au refroidissement du condenseur.
- Mouvement de l'air sous l'effet du ventilateur.

- Déclics émis par le programme de thermostat.
- Vibrations ou bruits imputables à une construction médiocre du mur ou de la fenêtre.
- Bourdonnement aigu ou bruits de pulsations causés par le compresseur moderne à haute efficacité qui se met en marche et s'arrête de façon intermittente.

ASSISTANCE OU SERVICE

Avant de faire un appel pour assistance ou service, consulter la section "Dépannage". Ce guide peut vous faire économiser le coût d'une visite de service. Si vous avez encore besoin d'aide, suivre les instructions ci-dessous.

Lors d'un appel, veuillez connaître la date d'achat, le numéro de modèle et le numéro de série au complet de l'appareil. Ces renseignements nous aideront à mieux répondre à votre demande.

Si vous avez besoin de pièces de rechange

Si vous avez besoin de commander des pièces de rechange, nous vous recommandons d'employer uniquement des pièces de rechange spécifiées par l'usine. Les pièces de rechange spécifiées par l'usine fonctionneront bien parce qu'elles sont fabriquées avec la même précision utilisée dans la fabrication de chaque nouvel appareil.

Pour obtenir des pièces de rechange spécifiées par l'usine dans votre région, nous contacter ou appeler le Centre de service désigné le plus proche.

Aux États-Unis

Téléphoner au Centre pour l'eXpérience de la clientèle de Whirlpool sans frais d'interurbain au **1-800-253-1301**. A Porto Rico téléphoner au **1-787-999-7400**.

Nos consultants sont prêts à vous aider pour les questions suivantes :

- Caractéristiques et spécifications sur toute notre gamme d'appareils électroménagers.
- Renseignements d'installation.
- Procédés d'utilisation et d'entretien.
- Vente de pièces de rechange et d'accessoires.
- Assistance spécialisée aux consommateurs (langue espagnole, malentendants, malvoyants, etc.).
- Références aux marchands locaux, distributeurs de pièces de rechange et compagnies de service. Les techniciens de service désignés par Whirlpool sont formés pour effectuer les travaux de réparation sous garantie et le service après la garantie, partout aux États-Unis.

Pour localiser la compagnie de service désignée par Whirlpool dans votre région, vous pouvez aussi consulter les Pages jaunes de l'annuaire téléphonique.

Pour plus d'assistance

Si vous avez besoin de plus d'assistance, vous pouvez soumettre par écrit toute question ou préoccupation à Whirlpool Corporation à l'adresse suivante :

Whirlpool Brand Home Appliances
Customer eXperience Center
553 Benson Road
Benton Harbor, MI 49022-2692

Dans votre correspondance veuillez indiquer un numéro de téléphone où on peut vous joindre dans la journée.

Au Canada

Veuillez appeler sans frais le Centre pour l'eXpérience de la clientèle de Whirlpool Canada LP au : **1-800-807-6777**.

Nos consultants vous renseigneront sur les sujets suivants :

- Caractéristiques et spécifications sur toute notre gamme d'appareils électroménagers.
- Consignes d'utilisation et d'entretien.
- Ventes d'accessoires et de pièces de rechange.
- Références aux marchands locaux, aux distributeurs de pièces de rechange et aux compagnies de service. Les techniciens de service désignés par Whirlpool Canada LP sont formés pour remplir la garantie des produits et fournir un service après la garantie, partout au Canada.

Pour plus d'assistance

Si vous avez besoin de plus d'assistance, vous pouvez soumettre par écrit toute question ou préoccupation à Whirlpool Canada LP à l'adresse suivante :

Whirlpool Canada LP
Centre pour l'eXpérience de la clientèle
200 - 6750 Century Ave.
Mississauga, Ontario L5N 0B7

Veuillez inclure dans votre correspondance un numéro de téléphone où l'on peut vous joindre dans la journée.

GARANTIE LIMITÉE DU CLIMATISEUR DE FENÊTRE DE WHIRLPOOL

GARANTIE LIMITÉE DE UN AN

Pendant un an à compter de la date d'achat d'origine, lorsque ce climatiseur de fenêtre est installé, utilisé et entretenu conformément aux instructions jointes au produit ou fournies avec celui-ci, Whirlpool Corporation ou Whirlpool Canada LP (ci-après désignée "Whirlpool") choisira à son entière discrétion l'une des options suivantes : payer pour les pièces de rechange spécifiées par l'usine et la main-d'œuvre de réparation pour corriger les vices de matériaux ou de fabrication ou remplacer le produit par un produit comparable, neuf ou remis à neuf. S'il est remplacé, l'appareil restera sous garantie pour la durée restant à courir de la garantie limitée d'un an du produit d'origine. Voir les instructions de réparation ci-dessous.

LE SEUL ET EXCLUSIF RECOURS DU CLIENT DANS LE CADRE DE LA PRÉSENTE GARANTIE LIMITÉE CONSISTE EN LA RÉPARATION OU LE REMPLACEMENT DE L'APPAREIL TEL QUE PRÉVU PAR LA PRÉSENTE, ET CE À NOTRE SEULE DISCRÉTION. La réparation doit être effectuée par le personnel d'une compagnie de service désignée par Whirlpool. Cette garantie limitée est valide uniquement aux États-Unis, à Porto Rico ou au Canada et s'applique exclusivement lorsque le climatiseur de fenêtre est utilisé dans le pays où il a été acheté. La présente garantie limitée est valable à compter de la date d'achat initial par le consommateur. Une preuve de la date d'achat initial est exigée pour obtenir une intervention de dépannage ou un remplacement dans le cadre de la présente garantie limitée.

ÉLÉMENTS EXCLUS DE LA GARANTIE

La présente garantie limitée ne couvre pas :

1. Les interventions de dépannage pour rectifier l'installation du climatiseur de fenêtre, montrer à l'utilisateur comment utiliser le produit, remplacer ou réparer des fusibles du domicile, réenclencher les disjoncteurs ou rectifier le câblage ou la plomberie du domicile.
2. Les interventions de dépannage pour réparer ou remplacer des filtres à air. Les pièces consommables ne sont pas couvertes par la garantie.
3. Les réparations ou le remplacement lorsque le climatiseur de fenêtre est utilisé à des fins autres que l'usage domestique unifamilial normal ou lorsque les instructions d'installation et/ou les instructions de l'opérateur ou de l'utilisateur fournies ne sont pas respectées.
4. Les dommages imputables à : accident, modification, usage impropre ou abusif, incendie, inondation, actes de Dieu, installation fautive ou installation non conforme aux codes d'électricité ou de plomberie ou l'utilisation de pièces consommables ou de produits de nettoyage non approuvés par Whirlpool Corporation.
5. Les défauts d'apparence, notamment les éraflures, traces de choc, fissures ou tout autre dommage subi par le fini du climatiseur de fenêtre, à moins que ces dommages ne résultent de vices de matériaux ou de fabrication et ne soient signalés à Whirlpool dans les 30 jours suivant la date d'achat.
6. Les réparations effectuées sur les pièces ou systèmes résultant de modifications non autorisées apportées au produit.
7. Les frais de déplacement et de transport pour la réparation du produit si votre climatiseur de fenêtre est situé dans une région éloignée où un fournisseur de services d'entretien ou de réparation Whirlpool agréé n'est pas disponible.
8. La dépose et la réinstallation de votre climatiseur de fenêtre si celui-ci est installé dans un endroit inaccessible ou n'est pas installé conformément aux instructions d'installation fournies par Whirlpool.
9. Les climatiseurs de fenêtre dont les numéros de série et de modèle originaux ont été enlevés, modifiés ou ne peuvent pas être facilement identifiés. Cette garantie est nulle si le numéro de série fourni par l'usine a été modifié ou retiré de l'appareil.

Le coût d'une réparation ou d'un remplacement dans le cadre de ces circonstances exclues est à la charge du client.

**SI VOTRE CLIMATISEUR DE FENÊTRE CESSE DE FONCTIONNER DURANT
LA PREMIÈRE ANNÉE SUIVANT SON ACQUISITION :**

1. Appeler sans frais le Centre pour l'eXpérience de la clientèle au **1-800-253-1301** (gratuit aux É.-U.) OU au **1-800-807-6777** (gratuit au Canada) OU au **1-787-999-7400** (à Porto Rico).
2. Indiquer au conseiller le numéro de modèle et de série, ainsi que l'adresse d'expédition.
3. Le conseiller vous indiquera si le climatiseur de fenêtre peut bénéficier d'une réparation à domicile ou d'un remplacement.
4. Dans le cas d'un remplacement, il vous sera peut-être demandé d'envoyer le produit vers un centre de réparation désigné par Whirlpool. Vous devez renvoyer le produit dans son emballage d'origine ou dans un emballage équivalent; prépayer les frais d'expédition/de transport vers un centre de réparation désigné et faire assurer l'expédition. Whirlpool ne pourra être tenu pour responsable d'un produit égaré ou endommagé durant le transport. Veuillez indiquer vos nom et adresse sur un morceau de papier et l'accompagner d'une copie de votre preuve d'achat (reçu de caisse, bordereau d'achat, etc.).
5. Whirlpool réexpédiera sans frais à votre domicile l'appareil réparé ou, à sa seule discrétion, un produit identique ou remis à neuf comparable.

CLAUSE D'EXONÉRATION DE RESPONSABILITÉ AU TITRE DES GARANTIES IMPLICITES

LES GARANTIES IMPLICITES, Y COMPRIS LES GARANTIES APPLICABLES DE QUALITÉ MARCHANDE OU D'APTITUDE À UN USAGE PARTICULIER, SONT LIMITÉES À UN AN OU À LA PLUS COURTE PÉRIODE AUTORISÉE PAR LA LOI. Certains États et provinces ne permettent pas de limitation sur la durée des garanties implicites de qualité marchande ou d'aptitude à un usage particulier, de sorte que la limitation ci-dessus peut ne pas être applicable dans votre cas. Cette garantie vous confère des droits juridiques spécifiques et vous pouvez également jouir d'autres droits qui peuvent varier d'une juridiction à l'autre.

LIMITATION DES RECOURS; EXCLUSION DES DOMMAGES FORTUITS OU INDIRECTS

LE SEUL ET EXCLUSIF RECOURS DU CLIENT DANS LE CADRE DE LA PRÉSENTE GARANTIE LIMITÉE CONSISTE EN LA RÉPARATION OU LE REMPLACEMENT DE L'APPAREIL TEL QUE PRÉVU PAR LA PRÉSENTE, ET CE À NOTRE SEULE DISCRÉTION. WHIRLPOOL N'ASSUME AUCUNE RESPONSABILITÉ POUR LES DOMMAGES FORTUITS OU INDIRECTS. Certains États et provinces ne permettent pas l'exclusion ou la limitation des dommages fortuits ou indirects de sorte que ces limitations peuvent ne pas être applicables dans votre cas. Cette garantie vous confère des droits juridiques spécifiques et vous pouvez également jouir d'autres droits qui peuvent varier d'une juridiction à l'autre.

À l'extérieur des 50 États des États-Unis, de Porto Rico et du Canada, la présente garantie ne s'applique pas. Contacter votre marchand Whirlpool autorisé pour déterminer si une autre garantie s'applique.

Si vous avez besoin de service, voir d'abord la section "Dépannage" du Guide d'utilisation et d'entretien. Vous pourrez trouver de l'aide supplémentaire en consultant la section "Assistance ou service" ou en appelant Whirlpool. Aux É.-U., composer le **1-800-253-1301**. Au Canada, composer le **1-800-807-6777**. À Porto Rico, composer le **1-787-999-7400**. 11/10

Conservez ce manuel et votre reçu de vente ensemble pour référence ultérieure. Pour le service sous garantie, vous devez présenter un document prouvant la date d'achat ou d'installation.

Inscrivez les renseignements suivants au sujet de votre gros appareil ménager pour mieux vous aider à obtenir assistance ou service en cas de besoin. Vous devrez connaître le numéro de modèle et le numéro de série au complet. Vous trouverez ces renseignements sur la plaque signalétique située sur le produit.

Nom du marchand _____

Adresse _____

Numéro de téléphone _____

Numéro de modèle _____

Numéro de série _____

Date d'achat _____

66161279

© 2010. Whirlpool Corporation
All rights reserved.

Todos los derechos reservados.
Tous droits réservés.

® Registered Trademark/TM Trademark of Whirlpool, U.S.A., Whirlpool Canada LP Licensee in Canada.

® Marca registrada/TM Marca de comercio de Whirlpool, U.S.A., usada bajo licencia de Whirlpool Canada LP en Canadá.

® Marque déposée/TM Marque de commerce de Whirlpool, U.S.A., emploi sous licence par Whirlpool Canada LP au Canada.

11/10

Printed in China

Impreso en China

Imprimé en Chine

Free Manuals Download Website

<http://myh66.com>

<http://usermanuals.us>

<http://www.somanuals.com>

<http://www.4manuals.cc>

<http://www.manual-lib.com>

<http://www.404manual.com>

<http://www.luxmanual.com>

<http://aubethermostatmanual.com>

Golf course search by state

<http://golfingnear.com>

Email search by domain

<http://emailbydomain.com>

Auto manuals search

<http://auto.somanuals.com>

TV manuals search

<http://tv.somanuals.com>