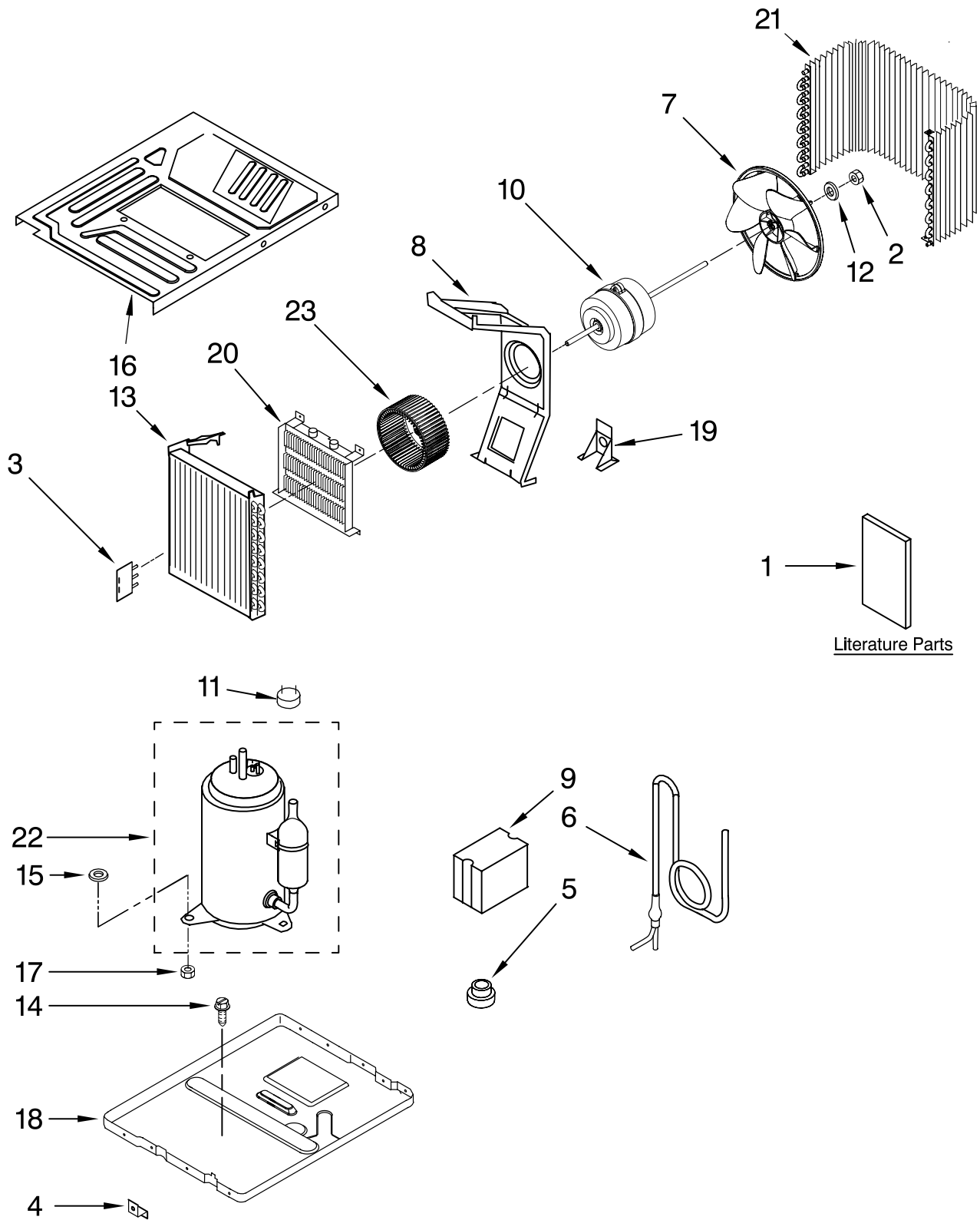




UNIT PARTS

For Model: ACE244PT2

AIR CONDITIONER



Literature Parts

FOR ORDERING INFORMATION REFER TO PARTS PRICE LIST

UNIT PARTS

For Model: ACE244PT2

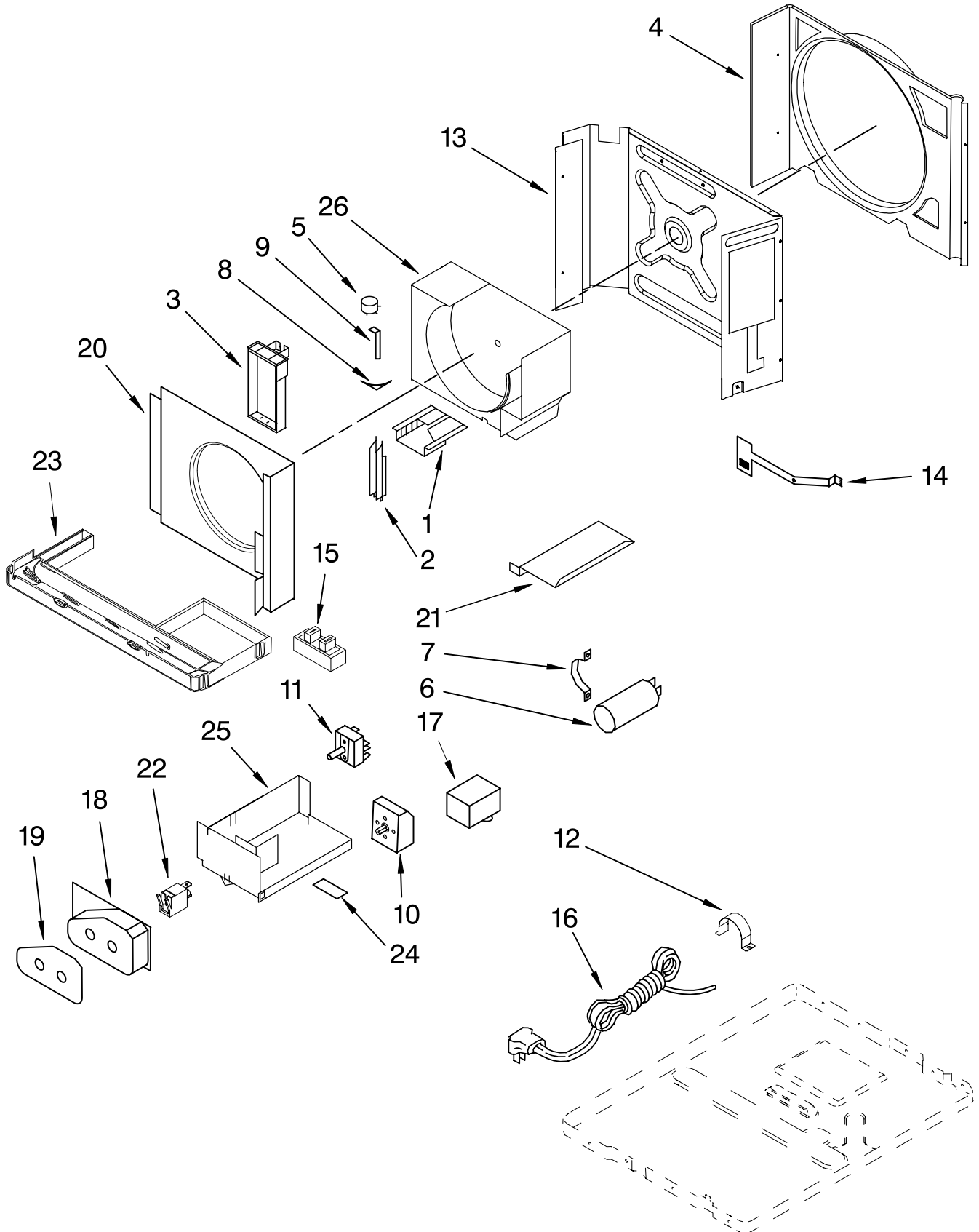
Illus. No.	Part No.	DESCRIPTION
1		Literature Parts
	W10121866	Wiring Diagram
	8215279	Use & Care Guide
	W10122493	Energy Guide
2	8215290	Nut w/washer
3	8209771	Support, Tube Sensor
4	8215148	Clip
5	8215344	Drain Plug
6	8215353	Tube, Restrictor
7	8215104	Blade, Fan
8	8215107	Bracket, Fan Motor
9	8215130	Relay
10	8215150	Motor, Fan
11	8215123	Overload
12	8215291	Washer
13	8215316	Evaporator
14	8209688	Screw (5)
15	8215154	Gasket
16	8215307	Cover, Evaporator
17	8215297	Nut w/washer
18	8215343	Base
19	8215327	Support
20	8215331	Heater
21	8215069	Condenser
22	8215332	Compressor Assy.
23	8215329	Wheel, Blower

REFRIGERANT CHARGE

34.20 oz.

AIR FLOW AND CONTROL PARTS

For Model: ACE244PT2



FOR ORDERING INFORMATION REFER TO PARTS PRICE LIST

AIR FLOW AND CONTROL PARTS

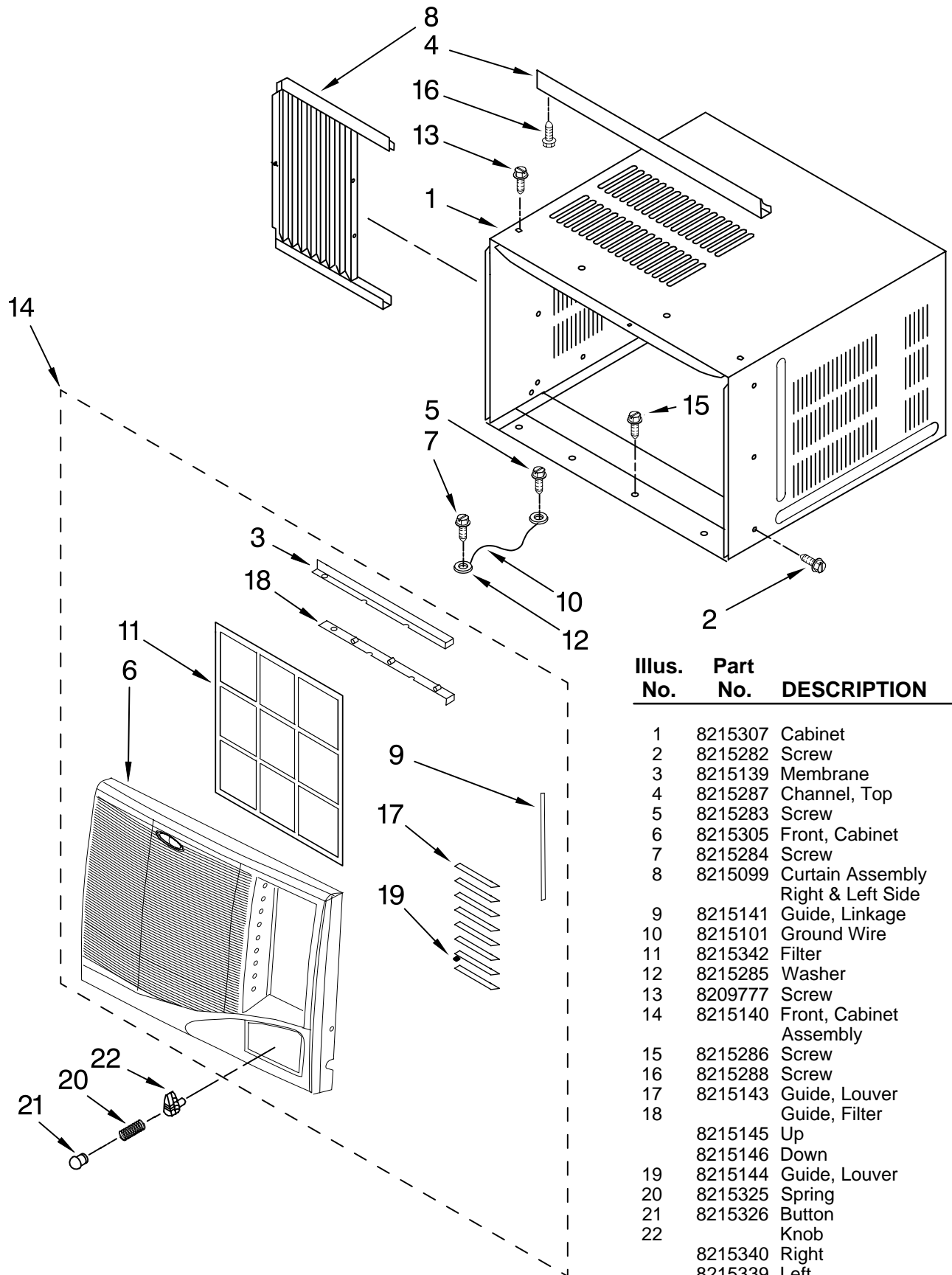
For Model: ACE244PT2

Illus. No.	Part No.	DESCRIPTION
1	8215111	Housing, Air
2	8215112	Louver
3	8215116	Cartridge, Louver
4	8215071	Shroud, Condenser
5	8215114	Motor, Louver
6	8215299	Capacitor, Running
7	8215301	Bracket, Capacitor
8	8215113	Linkage, Louver
9	8215115	Linkage, Louver
10	8215335	Thermostat
11	8215336	Switch
12	8215135	Wire Clamp
13	8215328	Wall, Dividing
14	8215117	Door, Exhaust
15	8215089	Terminal Block
16	8215337	Cord, Appliance
17	8215313	Capacitor
18	8215322	Cover, Control
19	8215138	Escutcheon
20	8215330	Shroud, Evaporator
21	8215120	Cover, Air Duct
22	8215321	Switch
23	8215127	Pan, Evaporator
24	8215320	Washer
25	8215319	Box, Control
26	8215110	Housing, Air

FOR ORDERING INFORMATION REFER TO PARTS PRICE LIST

CABINET PARTS

For Model: ACE244PT2

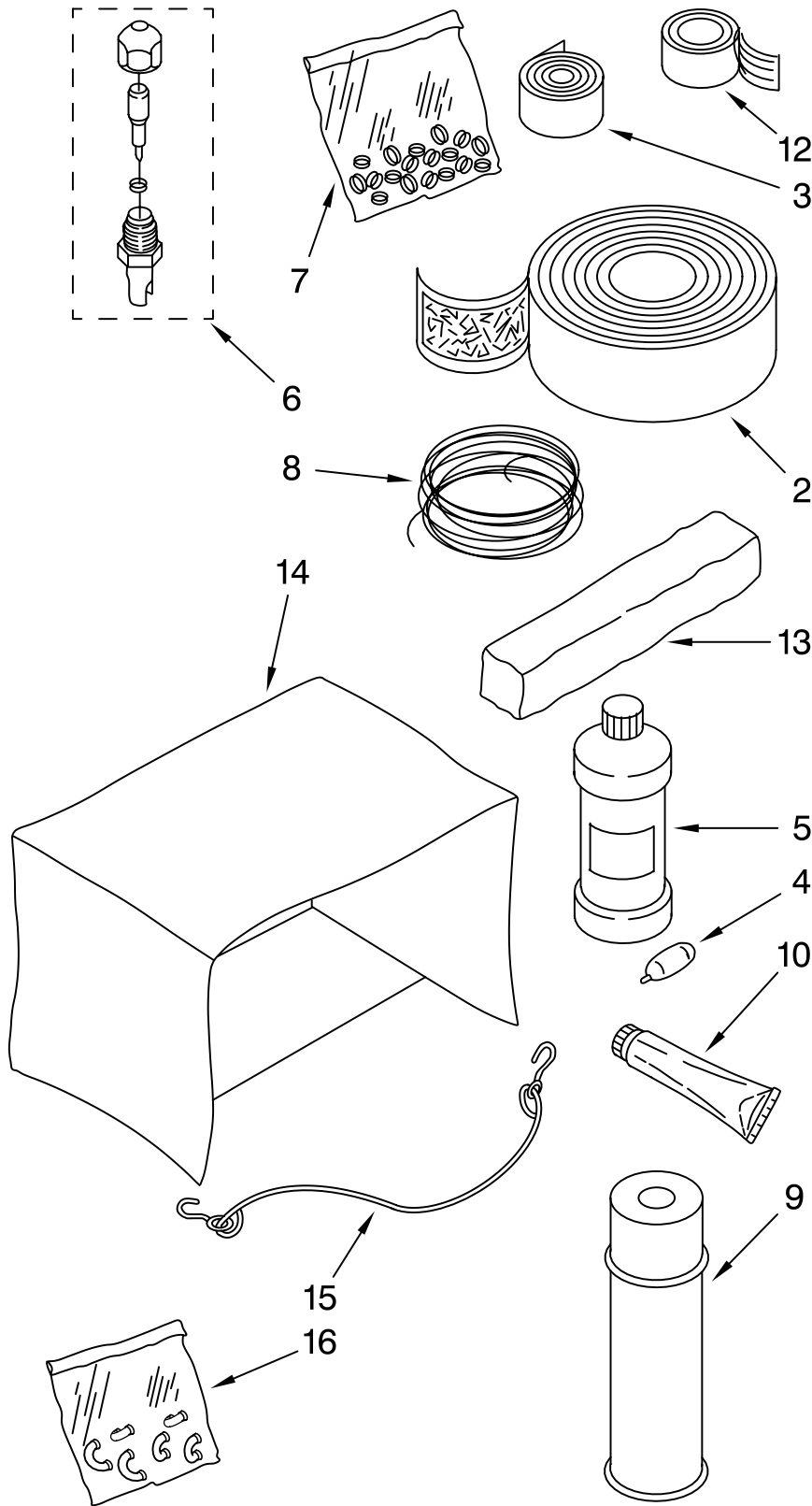


Illus. No.	Part No.	DESCRIPTION
1	8215307	Cabinet
2	8215282	Screw
3	8215139	Membrane
4	8215287	Channel, Top
5	8215283	Screw
6	8215305	Front, Cabinet
7	8215284	Screw
8	8215099	Curtain Assembly Right & Left Side
9	8215141	Guide, Linkage
10	8215101	Ground Wire
11	8215342	Filter
12	8215285	Washer
13	8209777	Screw
14	8215140	Front, Cabinet Assembly
15	8215286	Screw
16	8215288	Screw
17	8215143	Guide, Louver
18	8215145	Guide, Filter
	8215146	Up
	8215146	Down
19	8215144	Guide, Louver
20	8215325	Spring
21	8215326	Button
22		Knob
	8215340	Right
	8215339	Left

FOR ORDERING INFORMATION REFER TO PARTS PRICE LIST

OPTIONAL PARTS (NOT INCLUDED)

For Model: ACE244PT2

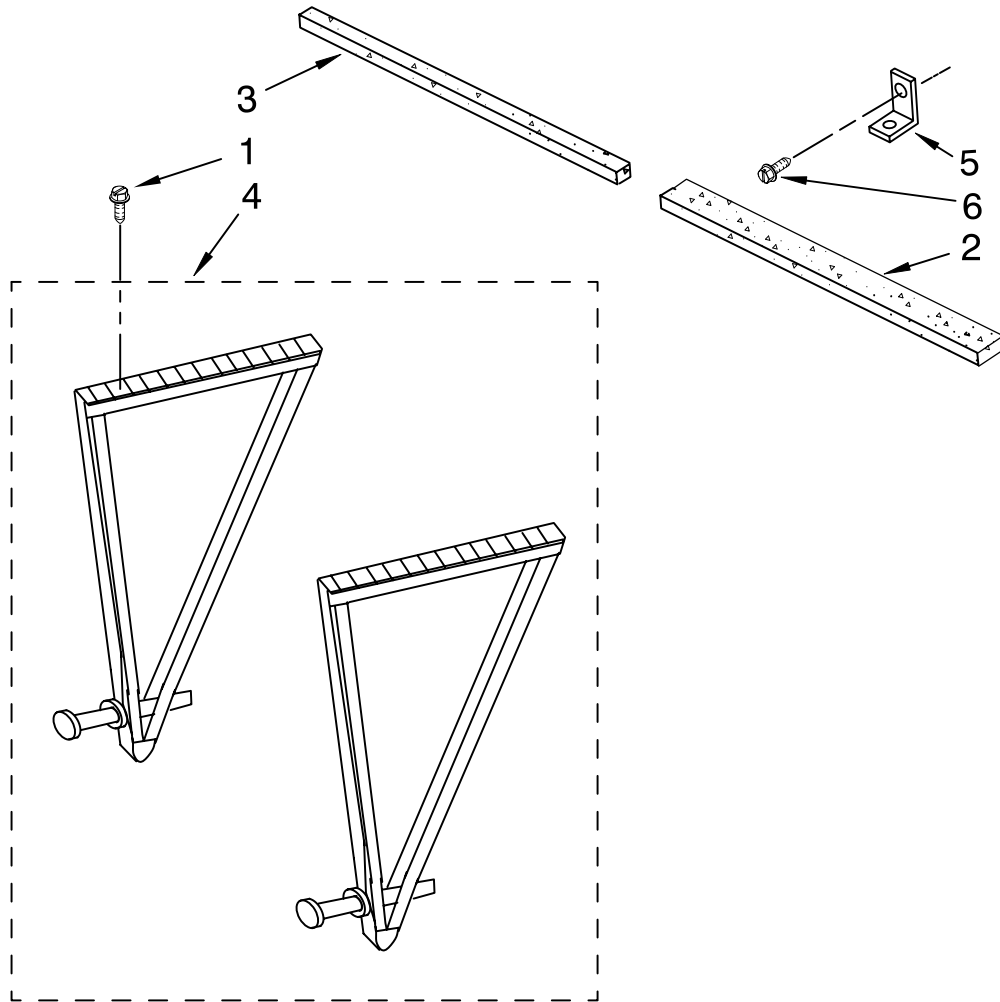


Illus. No.	Part No.	DESCRIPTION
2	505168	Tape, No Drip 30'
3	479502	Tape, Vinyl 36'
4	10943	Oil, Turbine 1 Oz.
5	99243	Oil, Turbine 8 Oz.
6		Valve, Access
	876764	3/16" Tube O.D.
	978025	1/4" Tube O.D.
	978026	5/16" Tube O.D.
	978027	3/8" Tube O.D.
	978028	1/2" Tube O.D.
	978029	5/8" Tube O.D.
	978030	3/4" Tube O.D.
7	978865Bulk	Seal, Ring Access Valve (20-Pack)
8		Wire, 25' Roll
	242820	Black 14 Ga.
	242825	Red 14 Ga.
	47261	Black 12 Ga.
	299885	Red 12 Ga.
	47263	White 12 Ga.
9	813684	Adhesive, Insulation (24 Oz. Spray)
10	279368	Adhesive, Insulation (2 Oz. Tube)
12	212643	Sealer, Permagem 4-1" Strips
13	99344	Sealer, Permagem 1 Lb. Bar
14		Cover, Winter
	484066	28"x19"x31"
	484067	19"x12"x14"
	484069	27"x19"x6 to 27"
	484184	22"x15"x3 to 18"
15	813610	Retainer, Cord (Winter Cover)
16		Replacement Kit
	4388784	(5/16 Inch Tube)
	4388785	(3/8 Inch Tube)

FOR ORDERING INFORMATION REFER TO PARTS PRICE LIST

INSTALLATION PARTS

For Model: ACE244PT2



Illus. No.	Part No.	DESCRIPTION
1	8215271	Screw
2	8209931	Seal, Strip (Wide)
3	8209932	Seal, Strip (Narrow)
4	8215098	Support, Cabinet
5	8209930	Bracket
6	8215272	Screw (Window Lock Bracket)

FOR ORDERING INFORMATION REFER TO PARTS PRICE LIST

Free Manuals Download Website

<http://myh66.com>

<http://usermanuals.us>

<http://www.somanuals.com>

<http://www.4manuals.cc>

<http://www.manual-lib.com>

<http://www.404manual.com>

<http://www.luxmanual.com>

<http://aubethermostatmanual.com>

Golf course search by state

<http://golfingnear.com>

Email search by domain

<http://emailbydomain.com>

Auto manuals search

<http://auto.somanuals.com>

TV manuals search

<http://tv.somanuals.com>