



PORTABLE AIR CONDITIONER

Use & Care Guide

For questions about features, operation/performance, parts, accessories or service call: **1-800-253-1301**
In Canada, call for assistance **1-800-461-5681**, for installation and service, call: **1-800-807-6777**
or visit our website at... www.whirlpool.com
or...www.whirlpoolappliances.ca

ACONDICIONADOR DE AIRE PORTÁTIL

Manual de uso y cuidado

Si tiene preguntas respecto a las características, funcionamiento, rendimiento, partes, accesorios o servicio técnico, llame al: **1-800-253-1301**
o visite nuestro sitio web en... www.whirlpool.com

CLIMATISEUR PORTATIF

Guide d'utilisation et d'entretien

Au Canada, pour assistance composez le **1-800-461-5681**, pour installation ou service, le : **1-800-807-6777**
ou visitez notre site web à... www.whirlpoolappliances.ca

Table of Contents/Índice/Table des matières 2

TABLE OF CONTENTS

AIR CONDITIONER SAFETY	3	Normal Sounds.....	10
INSTALLATION REQUIREMENTS	3	PORTABLE AIR CONDITIONER CARE	10
Parts	3	Cleaning the Air Filter	10
Location Requirements	3	Cleaning the Outside.....	10
Electrical Requirements	4	Draining the Air Conditioner	10
INSTALLATION INSTRUCTIONS	5	Storing After Use	10
Unpack the Air Conditioner.....	5	TROUBLESHOOTING	11
Install Portable Air Conditioner	5	ASSISTANCE OR SERVICE	13
PORTABLE AIR CONDITIONER USE	6	In the U.S.A.	13
Using the Control Panel	7	In Canada	13
Using the Remote Control	8	WARRANTY	14
Changing Air Direction	10		

ÍNDICE

SEGURIDAD DEL ACONDICIONADOR DE AIRE	15	Sonidos normales.....	22
REQUISITOS DE INSTALACIÓN	15	CÓMO CUIDAR SU ACONDICIONADOR DE AIRE PORTÁTIL	22
Piezas	15	Limpeza del filtro de aire	22
Requisitos de ubicación.....	15	Limpeza del exterior	23
Requisitos eléctricos	16	Desagüe del acondicionador de aire	23
INSTRUCCIONES DE INSTALACIÓN	17	Almacenamiento después del uso.....	23
Desempaque el acondicionador de aire.....	17	SOLUCIÓN DE PROBLEMAS	23
Instalación del acondicionador de aire portátil.....	17	AYUDA O SERVICIO TÉCNICO	26
CÓMO USAR SU ACONDICIONADOR DE AIRE PORTÁTIL	18	En los EE.UU.	26
Uso del panel de control.....	19	GARANTÍA	27
Using el control remoto.....	21		
Cómo cambiar la dirección del aire	22		

TABLE DES MATIÈRES

SÉCURITÉ DU CLIMATISEUR	28	Sons normaux	35
EXIGENCES D'INSTALLATION	28	ENTRETIEN DU CLIMATISEUR PORTATIF	35
Pièces	28	Nettoyage du filtre à air	35
Exigences d'emplacement.....	28	Nettoyage de la partie extérieure.....	36
Spécifications électriques	29	Vidange du climatiseur	36
INSTRUCTIONS D'INSTALLATION	30	Remisage après utilisation	36
Déballage du climatiseur.....	30	DÉPANNAGE	36
Installation d'un climatiseur portatif.....	30	ASSISTANCE OU SERVICE	39
UTILISATION DU CLIMATISEUR PORTATIF	31	Aux États-Unis.....	39
Utilisation du panneau de commande.....	32	Au Canada	39
Utilisation de la télécommande.....	34	GARANTIE	40
Changement de direction de l'air.....	35		

AIR CONDITIONER SAFETY

Your safety and the safety of others are very important.

We have provided many important safety messages in this manual and on your appliance. Always read and obey all safety messages.



This is the safety alert symbol.

This symbol alerts you to potential hazards that can kill or hurt you and others.

All safety messages will follow the safety alert symbol and either the word "DANGER" or "WARNING." These words mean:

! DANGER

You can be killed or seriously injured if you don't immediately follow instructions.

! WARNING

You can be killed or seriously injured if you don't follow instructions.

All safety messages will tell you what the potential hazard is, tell you how to reduce the chance of injury, and tell you what can happen if the instructions are not followed.

IMPORTANT SAFETY INSTRUCTIONS

WARNING: To reduce the risk of fire, electrical shock or injury when using your air conditioner, follow these basic precautions:

- Plug into a grounded 3 prong outlet.
- Do not use an extension cord.
- Do not remove ground prong.
- Unplug air conditioner before servicing.
- Do not use an adapter.
- Use two or more people to move and install air conditioner.

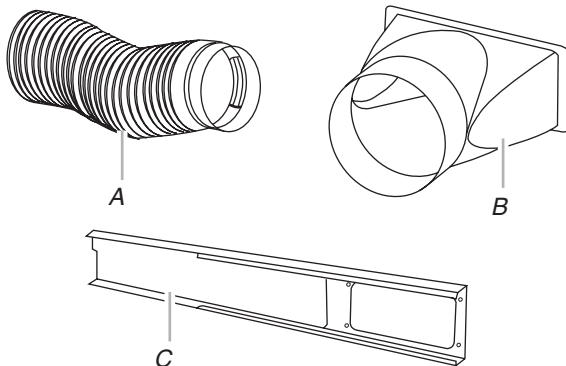
SAVE THESE INSTRUCTIONS

INSTALLATION REQUIREMENTS

Parts

Parts supplied

Check that all parts are included in parts package.

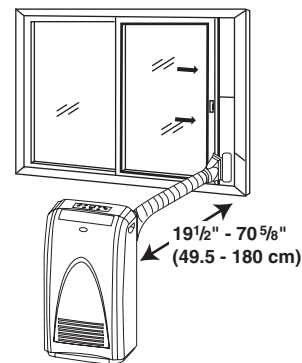


A. Flexible exhaust hose
B. Window exhaust adapter
C. Window slider kit (3)

Location Requirements

NOTES:

- Locate the air conditioner between 19½" (49.5 cm) and 70⅝" (180 cm) from window or door.



- Keep the required distance from the return air outlet to the wall or other obstacles at least 19½" (49.5 cm).
- Do not block air outlet.
- Provide easy access to grounded 3 prong outlet.

Electrical Requirements

⚠ WARNING



Electrical Shock Hazard

Plug into a grounded 3 prong outlet.

Do not remove ground prong.

Do not use an adapter.

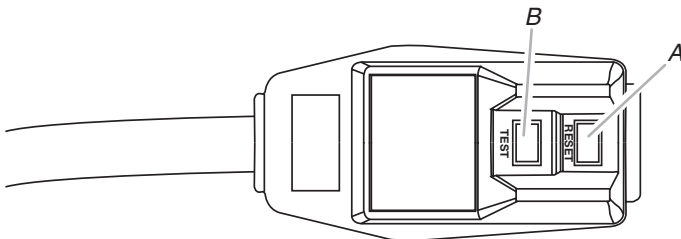
Do not use an extension cord.

Failure to follow these instructions can result in death, fire, or electrical shock.

- The portable air conditioner should be connected to a 115 V, 60 Hz, 15- or 20-amp fused 3 prong grounded outlet.
- The use of a time-delay fuse or time-delay circuit breaker is recommended.
- All wiring must comply with local and national electrical codes and be installed by a qualified electrician. If you have any questions, contact a qualified electrician.

Power Supply Cord

NOTE: Your unit's device may differ from the one shown.



A. Reset button
B. Test button

This room air conditioner is equipped with a power supply cord required by UL. This power supply cord contains state-of-the-art electronics that sense leakage current. If the cord is crushed, the electronics detect leakage current and power will be disconnected in a fraction of a second.

⚠ WARNING



Electrical Shock Hazard

Plug into a grounded 3 prong outlet.

Do not remove ground prong.

Do not use an adapter.

Do not use an extension cord.

Failure to follow these instructions can result in death, fire, or electrical shock.

To test your power supply cord:

1. Plug power supply cord into a grounded 3 prong outlet.
2. Press RESET.
3. Press TEST (listen for click; Reset button will trip and pop out).
4. Press and release RESET (listen for click; Reset button will latch and remain in). The power supply cord is ready for operation.

NOTES:

- The Reset button must be pushed in for proper operation.
- The power supply cord must be replaced if it fails to trip when the test button is pressed or fails to reset.
- Do not use the power supply cord as an off/on switch. The power supply cord is designed as a protective device.
- A damaged power supply cord must be replaced with a new power supply cord obtained from the product manufacturer and must not be repaired.
- The power supply cord contains no user serviceable parts. Opening the tamper-resistant case voids all warranty and performance claims.

INSTALLATION INSTRUCTIONS

Unpack the Air Conditioner

! WARNING

Excessive Weight Hazard

Use two or more people to move and install air conditioner.

Failure to do so can result in back or other injury.

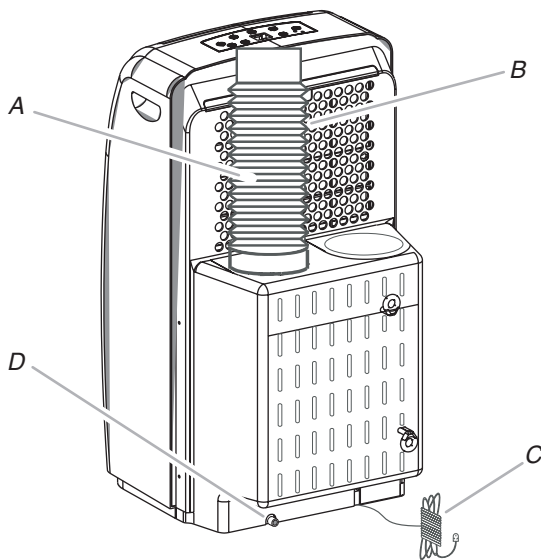
Remove packaging materials

- Remove and properly dispose of packaging materials. Remove tape and glue residue from surfaces before turning on the air conditioner. Rub a small amount of liquid dish soap over the adhesive with your fingers. Wipe with warm water and dry.
- Do not use sharp instruments, rubbing alcohol, flammable fluids, or abrasive cleaners to remove tape or glue. These products can damage the surface of your air conditioner.

Install Portable Air Conditioner

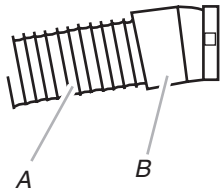
Install Exhaust Hose and Adapter

1. Roll air conditioner to its selected location. See "Location Requirements."
2. Insert flexible exhaust hose into opening in back of air conditioner.
3. Twist clockwise to lock hose into place.



A. Flexible exhaust hose C. Power supply
B. Evaporator air intake D. Drain port

4. Attach window exhaust adapter to the flexible exhaust hose. Turn clockwise until securely locked into place.



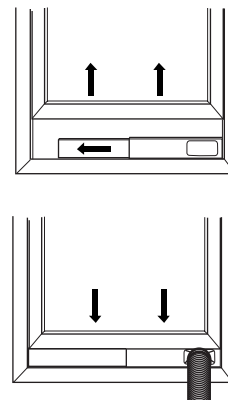
A. Flexible exhaust hose
B. Window exhaust adapter

Window Installation

Your window slider kit has been designed to fit most standard vertical and horizontal window applications. However, it may be necessary for you to modify some aspects of the installation procedures for certain types of windows.

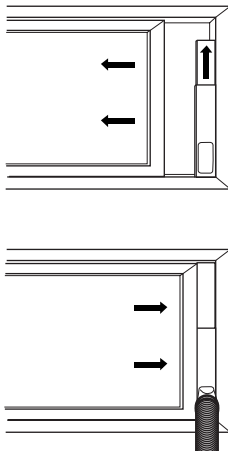
1. Open the window.
2. Place the window slider kit into the window, extending it to fit the width of the window.

Vertical Slide Window

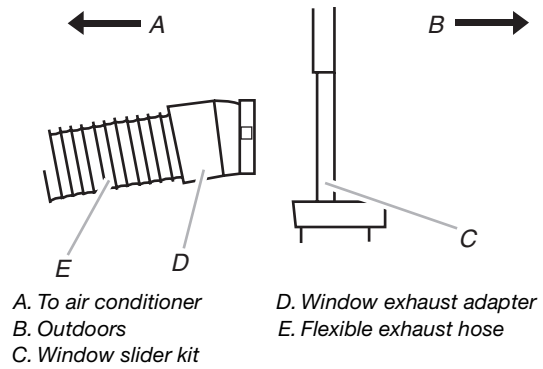


NOTE: For casement window installation, the window slider kit may be installed vertically with the window slider kit opening at the bottom.

Horizontal Slide Window



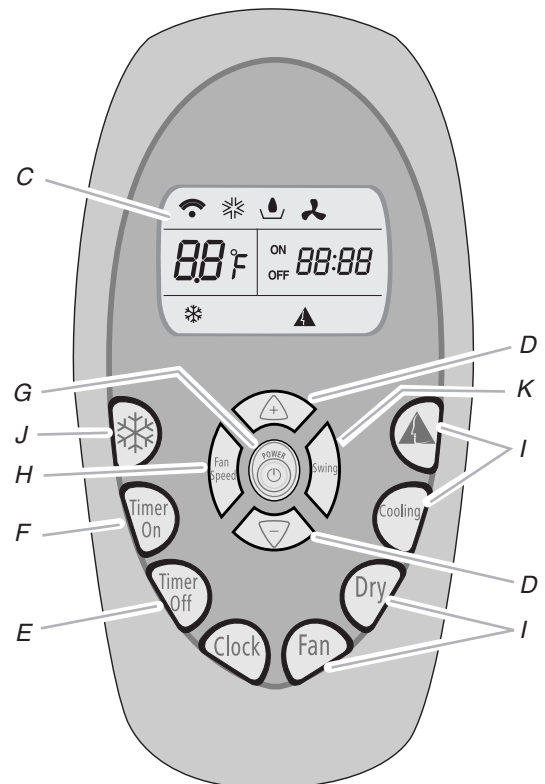
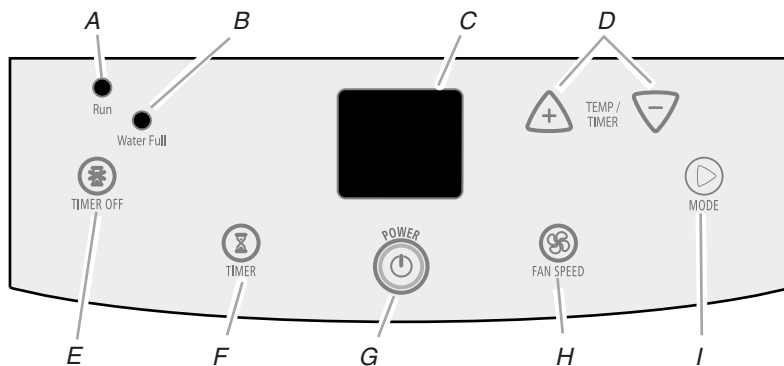
3. Close the window onto the window slider kit to secure.
4. Insert the window exhaust adapter into the window slider kit.



PORTABLE AIR CONDITIONER USE

NOTES:

- Remote control may vary in appearance.
- Two AA batteries (not included) power the remote control. Do not use rechargeable batteries. Replace batteries after 6 months of use, or when the remote control starts to lose power.
- To operate the air conditioner with the remote control, aim the remote control at the signal receptor from no more than 23 ft (7 m) away.

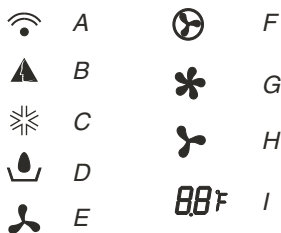


- A. RUN indicator light
B. WATER FULL indicator light
C. Display
D. TEMP/TIME plus and minus buttons
E. TIMER OFF button
F. TIMER on button
G. POWER button
H. FAN SPEED button—choose Auto, High or Low
I. MODE button—choose ComfortMode™ control, Cooling, Dry or Fan Only

- J. RapidCool™ mode control
K. SWING air direction control

Using the Control Panel

Display Symbols



- A. Remote control signal transmit indicator light
B. ComfortMode™ control indicator light
C. Cooling mode indicator light
D. Dry mode indicator light
E. Fan only mode indicator light
F. Auto fan speed indicator light
G. High fan speed indicator light
H. Low fan speed indicator light
I. Display set temperature

NOTES:

- The air conditioner display shows the current room temperature and 24-hour clock.
- In the event of a power failure, your air conditioner will operate at the previous settings when the power is restored.
- When changing modes while air conditioner is operating, the compressor will stop for 3 to 5 minutes before restarting. If a button is pressed during this time, the compressor will not restart for another 3 to 5 minutes.
- In Cooling or Dry mode, the compressor and fan will stop when room temperature reaches set temperature.

Mode

Press MODE to choose ComfortMode™ control, Cooling, Dry or Fan Only.



Cooling Mode

This mode cools the room. Temperature and fan speed are set by the user.

1. Press MODE to choose Cooling.
2. Choose fan speed. See "Fan Speed."
3. Choose temperature. See "Temperature."
4. Press POWER to start the air conditioner. The RUN indicator light will glow green.
5. When WATER FULL indicator light glows red, air conditioner will turn off automatically. See "Portable Air Conditioner Care" for directions on draining the air conditioner.

Dry Mode

Dries the room. Temperature is set by user. Fan runs on Low only.

NOTES:

- Dry mode should not be used to cool the room.
 - Dry mode does not require hot air outlet hose.
1. Press MODE to choose Dry.
 2. Choose temperature. See "Temperature."

3. Press POWER to start the air conditioner. The RUN indicator light will glow green.
4. When WATER FULL indicator light glows red, air conditioner will turn off automatically. See "Portable Air Conditioner Care" for directions on draining the air conditioner.

NOTES:

- Press the minus button once to decrease the set temperature by 2°F (1°C), or press twice to decrease set temperature by 4°F (2°C).
- Press the plus button once to increase the set temperature by 2°F (1°C), or press twice to increase set temperature by 4°F (2°C).

ComfortMode™ Control

Air conditioner automatically selects cool or dry depending on room temperature. When in Dry mode, air conditioner automatically selects fan speed and temperature. When in Cooling mode, air conditioner automatically selects temperature, but fan speed may be selected by user.

1. Press MODE to choose ComfortMode control. Compressor and fan will start automatically based on room temperature. RUN indicator light will glow green, and air swing will start.
2. During Cooling mode, fan speed may be changed. See "Fan Speed."
3. When WATER FULL indicator light glows red, air conditioner will turn off automatically. See "Portable Air Conditioner Care" for directions on draining the air conditioner.

NOTES:

- Press the minus button once to decrease the set temperature by 2°F (1°C), or press twice to decrease set temperature by 4°F (2°C).
- Press the plus button once to increase the set temperature by 2°F (1°C), or press twice to increase set temperature by 4°F (2°C).

Fan Only Mode

Serves only to move air. Fan speed is set by user.

1. Press MODE to choose Fan Only.
2. Choose fan speed. See "Fan Speed."
3. Press POWER to start the air conditioner. The RUN indicator light will glow green.

Fan Speed

1. Press FAN to set the fan speed.
2. Choose Auto, High or Low.
 - Auto—Fan speed set automatically
 - High—Maximum cooling
 - Low—Minimum cooling



NOTE: Press and hold FAN SPEED for 3 seconds to change vertical airflow direction. Press and hold FAN SPEED for 3 seconds again to stop airflow louver at desired airflow direction.

Temperature

1. Press the plus button to increase the temperature 2°F (1°C).



2. Press the minus button to decrease the temperature 2°F (1°C).



NOTES:

- In the Cooling mode, the temperature can be set between 64°F (18°C) and 90°F (32°C).
- In Fan Only mode, the temperature cannot be set.
- To change the temperature display from °F to °C, press and hold the plus and minus buttons for 3 seconds.

Time of Day

1. Press and hold TIMER and TIMER OFF. "12:00" will be displayed.
2. Press the plus or minus button to set the time (24-hour clock).



Timer Delay

To set the Timer for a 1- to 24-hour delay until the air conditioner turns off (the air conditioner must be On):

1. Press TIMER OFF. Timer "OFF 00:00" indicator light will flash.



2. Press the plus or minus button to change the delay time (1 to 24 hours).
3. Press TIMER OFF again. Timer "OFF 00:00" indicator light will remain on.

To set the Timer to turn on the air conditioner, keeping previous settings:

1. Turn off air conditioner.
2. Press TIMER. Timer "ON 12:00" indicator light will flash.



3. Press the plus or minus button to change the delay time (1 to 24 hours).
4. Press TIMER again. Timer "ON 12:00" indicator light will remain on.

To set the Timer to turn on the air conditioner, changing the previous settings:

1. Turn off air conditioner.
2. Adjust Mode to ComfortMode™ control, Cooling, Dry or Fan Only.
3. For Cooling mode:
 - Adjust fan speed to High, Low or Auto.
 - Adjust temperature between 64°F (18°C) and 90°F (32°C).
4. For Fan Only mode, adjust fan speed to High or Low.
5. For ComfortMode™ control and Dry modes, adjust temperature up or down by 4°F (2.2°C)
NOTE: In Fan Only mode, temperature cannot be set.
6. Press TIMER. Timer "ON 12:00" indicator light will flash.
7. Press the plus or minus button to change delay time (1 to 24 hours).
8. Press TIMER again. Timer "ON 12:00" indicator light will remain on.

To clear Timer delay program:

NOTE: Air conditioner can be either on or off.

Press and hold TIMER OFF for 3 seconds. Timer indicator light will turn off.

To see or change the remaining time (in hours):

1. Press TIMER or TIMER OFF once after it has been programmed.
2. While the display is showing the remaining time, you can press the plus or minus button to increase or decrease the time.

Using the Remote Control

To turn the air conditioner on or off:

Press the power button.



Mode

1. Press COOLING to cool the room.



2. Press DRY to remove moisture from the room without cooling.



NOTE: Dry operates on Low fan only. Fan Speed button will not operate in this mode.

3. Press FAN to run fan without cooling. Press FAN SPEED to choose High or Low.



ComfortMode™ Control

1. Press ComfortMode control. The temperature and fan speed set automatically.



2. Press the up or down arrow button to increase or decrease the set temperature 4°F (2°C).
3. Press FAN SPEED to alternate between High and Low speeds each time Fan Speed is pressed.

RapidCool™ Mode

Used for fast cooling. Automatically sets fan speed to high and temperature to 64°F (18°C).

NOTE: ComfortMode control button does not operate in RapidCool control mode.

1. Press RapidCool mode. The temperature will automatically set to 64°F (18°C).



2. To turn RapidCool mode off, press either ComfortMode control, COOLING, DRY, FAN, the power button or the plus or minus buttons.

Fan Speed (in Cooling or Fan Only modes only)

1. Press FAN SPEED.
2. Choose Auto, High or Low.



Temperature

To raise the temperature:

Press the plus button to increase the temperature 2°F (1°C).



To lower the temperature:

Press the minus button to decrease the temperature 2°F (1°C).



Time of Day

1. Press and hold CLOCK. "12:00" will be displayed.



2. Press the plus or minus button to set the time.

Timer Delay

To set the Timer for a 1- to 24-hour delay until the air conditioner turns off (the air conditioner must be On):

1. Press TIMER OFF. Timer "OFF 00:00" indicator light will flash.



2. Press the plus or minus button to change the delay time (1 to 24 hours).
3. Press TIMER OFF again. Timer "OFF 00:00" indicator light will remain on.

To set the Timer to turn on the air conditioner, keeping previous settings:

1. Turn off air conditioner.
2. Press TIMER ON. Timer "ON 12:00" indicator light will flash.



3. Press the plus or minus button to change the delay time (1 to 24 hours).
4. Press TIMER ON again. Timer "ON 12:00" indicator light will remain on.

To set the Timer to turn on the air conditioner, changing the previous settings:

1. Turn off air conditioner.
2. Adjust Mode to ComfortMode™ control, Cooling, Dry, Fan or RapidCool™.
3. For Cooling:
 - Adjust fan speed to High, Low or Auto.
 - Adjust temperature between 64°F (18°C) and 90°F (32°C).
4. For Fan mode, adjust fan speed to High or Low.
5. For ComfortMode™ control and Dry modes, adjust temperature up or down by 4°F (2.2°C)
NOTE: In Fan mode, temperature cannot be set.
6. Press TIMER ON. Timer "ON 12:00" indicator light will flash.
7. Press the plus or minus button to change delay time (1 to 24 hours).
8. Press TIMER ON again. Timer "ON 12:00" indicator light will remain on.

To clear Timer delay program:

NOTE: Air conditioner can be either on or off.

Press and hold TIMER OFF for 3 seconds. Timer indicator light will turn off.

To see or change the remaining time (in hours):

1. Press TIMER ON or TIMER OFF once after it has been programmed.
2. While the display is showing the remaining time, you can press the plus or minus button to increase or decrease the time.

NOTE: Timer On and Timer Off can be set at the same time.

Changing Air Direction

Press SWING (on remote control only) once to change vertical airflow direction. Press again to stop airflow louver at desired airflow direction.



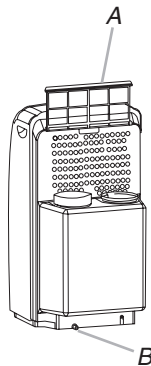
NOTE: On the control panel, press and hold FAN SPEED for 3 seconds to change vertical airflow direction. Press and hold FAN SPEED for 3 seconds again to stop airflow louver at desired airflow direction.

Normal Sounds

When your air conditioner is operating normally, you may hear sounds such as:

- Droplets of water hitting the condenser, causing a pinging or clicking sound. The water droplets help cool the condenser.
- Air movement from the fan.
- Clicks from the thermostat cycle.
- Vibrations or noise due to poor wall or window construction.
- A high-pitched hum or pulsating noise caused by the modern high-efficiency compressor cycling on and off.

PORTABLE AIR CONDITIONER CARE



A. Air filter
B. Drain plug

Cleaning the Air Filter

1. Press POWER to turn off the air conditioner.
2. Remove filter by sliding filter up.
3. Use a vacuum cleaner to clean the air filter. If filter is very dirty, wash air filter in warm water with a mild detergent.
NOTE: Do not wash air filter in the dishwasher or use any chemical cleaners.
4. Air dry filter completely before replacing to ensure maximum efficiency.

Cleaning the Outside

1. Unplug air conditioner or disconnect power.
2. Remove the air filter and clean separately. See "Cleaning the Air Filter."
3. Wipe outside of air conditioner with a soft, damp cloth.
4. Plug in air conditioner or reconnect power.
5. Press POWER to start the air conditioner.

Draining the Air Conditioner

1. Press POWER to turn off the air conditioner.
2. Unplug air conditioner or disconnect power.
3. Move the air conditioner to a drain location or outside.
4. Remove the rubber drain plug and allow water to drain from the air conditioner.
5. Reinstall the drain plug.
6. Reposition air conditioner.
7. Plug in air conditioner or reconnect power.
8. Press POWER to start the air conditioner.

NOTE: A drain hose may also be connected to drain port to drain water from air conditioner. See "Install Portable Air Conditioner" for location of drain port.

Storing After Use

1. Remove drain plug and drain water completely.
2. Run air conditioner with fan only for approximately 12 hours to dry the air conditioner.
3. Unplug air conditioner.
4. Remove filter and clean. See "Cleaning the Air Filter."
5. Clean the outside of air conditioner. See "Cleaning the Outside."
6. Reinstall filter.
7. Remove batteries from remote control and store with air conditioner in a clean, dry area.
8. Remove air hose and store with air conditioner in a clean, dry area. See "Installation Instructions."

TROUBLESHOOTING

Before calling for service, try the suggestions below to see whether you can solve your problem without outside help. If you still need help, see "Assistance or Service."

Problem	Possible Cause	Solution
Air conditioner will not operate	■ The power supply cord is unplugged.	Plug into a grounded 3 prong outlet. See "Electrical Requirements."
	■ The power supply cord has tripped (Reset button has popped out).	Press and release RESET (listen for click; Reset button will latch and remain in) to resume operation.
	■ A household fuse has blown, or a circuit breaker has tripped.	Replace the fuse, or reset the circuit breaker. See "Electrical Requirements."
	■ The Power button has not been pressed.	Press POWER.
	■ The local power has failed.	Wait for power to be restored.
Air conditioner blows fuses or trips circuit breakers	■ Too many appliances are being used on the same circuit.	Unplug or relocate appliances that share the same circuit.
	■ Time-delay fuse or circuit breaker of the wrong capacity is being used.	Replace with a time-delay fuse or circuit breaker of the correct capacity. See "Electrical Requirements."
	■ An extension cord is being used.	Do not use an extension cord with this or any other appliance.
	■ You are trying to restart the air conditioner too soon after turning off air conditioner.	Wait at least 3 minutes after turning off air conditioner before trying to restart the air conditioner.
	■ You have changed modes.	Wait at least 3 minutes after turning air conditioner off before trying to restart the air conditioner.
Air conditioner power supply cord trips (Reset button pops out)	■ Disturbances in your electrical current can trip (Reset button will pop out) the power supply cord.	Press and release RESET (listen for click; Reset button will latch and remain in) to resume operation.
	■ An electrical overloading, overheating, pinching or aging can trip (Reset button will pop out) the power supply cord.	After correcting the problem, press and release RESET (listen for click; Reset button will latch and remain in) to resume operation. NOTE: A damaged power supply cord must be replaced with a new power supply cord obtained from the product manufacturer and must not be repaired.
Air conditioner seems to run too much	■ Is there a door or window open?	Keep doors and windows closed.
	■ The current air conditioner replaced an older model.	The use of more efficient components may cause the air conditioner to run longer than an older model, but the total energy consumption will be less. Newer air conditioners do not emit the "blast" of cold air you may be accustomed to from older units, but this is not an indication of lesser cooling capacity or efficiency. Refer to the efficiency rating (EER) and capacity rating (in BTU/hr) marked on the air conditioner.
	■ The air conditioner is in a heavily occupied room, or heat-producing appliances are in use in the room.	Use exhaust vent fans while cooking or bathing and try not to use heat-producing appliances during the hottest part of the day. A higher capacity air conditioner may be required, depending on the size of the room being cooled.

Problem	Possible Cause	Solution
Air conditioner runs for a short time only, but room is not cool	<ul style="list-style-type: none"> ■ Set temperature is close to room temperature. 	Lower set temperature. See “Using the Controls.”
Air conditioner runs, but does not cool	<ul style="list-style-type: none"> ■ The filter is dirty or obstructed by debris. 	Clean the filter.
	<ul style="list-style-type: none"> ■ Air outlet is blocked. 	Clear air outlet.
	<ul style="list-style-type: none"> ■ Set temperature is too high. 	Lower set temperature.
	<ul style="list-style-type: none"> ■ The air conditioner has lost charge (leak in system), or operated in temperatures below 64°F (18°C). 	If the control buzzer beeps 3 times repeatedly, contact service technician.
Air conditioner cycles on and off too much	<ul style="list-style-type: none"> ■ The air conditioner is set to ComfortMode™ control. 	Use ComfortMode™ control only when you are asleep or away from home, since the fan does not circulate the room air continuously.
	<ul style="list-style-type: none"> ■ The air conditioner is not properly sized for your room. 	Check the cooling capabilities of your portable air conditioner. Portable air conditioners are not designed to cool multiple rooms.
	<ul style="list-style-type: none"> ■ The filter is dirty or obstructed by debris. 	Clean the filter.
	<ul style="list-style-type: none"> ■ There is excessive heat or moisture (open container cooking, showers, etc.) in the room. 	Use a fan to exhaust heat or moisture from the room. Try not to use heat-producing appliances during the hottest part of the day.
	<ul style="list-style-type: none"> ■ The louvers are blocked. 	Install the air conditioner in a location where the louvers are free from curtains, blinds, furniture, etc.
	<ul style="list-style-type: none"> ■ The outside temperature is below 64°F (18°C). 	Do not try to operate your air conditioner in the cooling mode when the outside temperature is below 64°F (18°C).
	<ul style="list-style-type: none"> ■ The temperature of the room you are trying to cool is extremely hot. 	Allow extra time for the air conditioner to cool off a very hot room.
	<ul style="list-style-type: none"> ■ Windows or doors to the outside are open. 	Close all windows and doors.
Temperature on display does not match room temperature	<ul style="list-style-type: none"> ■ When the compressor and fan motor turn off during Power Saver mode, or after you turn off the unit, a lower temperature reading than the actual room temperature may be displayed for a short period of time. 	This lower temperature reading is caused by the temperature sensor being located close to the cold evaporator coil. The actual room temperature will display within a few minutes.
Water drips from cabinet into your house	<ul style="list-style-type: none"> ■ The drain plug is not installed properly. 	Install drain plug properly.
Water Full indicator remains on, and the air conditioner turns off	<ul style="list-style-type: none"> ■ This is normal. 	See “Portable Air Conditioner Care” for instructions on how to drain the air conditioner.

ASSISTANCE OR SERVICE

Before calling for assistance or service, please check "Troubleshooting." It may save you the cost of a service call. If you still need help, follow the instructions below.

When calling, please know the purchase date and the complete model and serial number of your appliance. This information will help us to better respond to your request.

If you need replacement parts

If you need to order replacement parts, we recommend that you use only FSP® replacement parts. FSP® replacement parts will fit right and work right because they are made with the same precision used to build every new WHIRLPOOL® appliance.

To locate FSP® replacement parts in your area, call us or your nearest Whirlpool designated service center.

In the U.S.A.

Call the Whirlpool Customer eXperience Center toll free: **1-800-253-1301** or visit our website at **www.whirlpool.com**.

Our consultants provide assistance with:

- Features and specifications on our full line of appliances.
- Installation information.
- Use and maintenance procedures.
- Accessory and repair parts sales.
- Specialized customer assistance (Spanish speaking, hearing impaired, limited vision, etc.).
- Referrals to local dealers, repair parts distributors, and service companies. Whirlpool designated service technicians are trained to fulfill the product warranty and provide after-warranty service, anywhere in the United States.

To locate the Whirlpool designated service company in your area, you can also look in your telephone directory Yellow Pages.

For further assistance

If you need further assistance, you can write to Whirlpool Corporation with any questions or concerns at:

Whirlpool Brand Home Appliances
Customer eXperience Center
553 Benson Road
Benton Harbor, MI 49022-2692

Please include a daytime phone number in your correspondence.

In Canada

For product related questions, please call the Whirlpool Canada LP Customer Interaction Centre toll free:

1-800-461-5681

Monday to Friday 8:00 a.m. - 6:00 p.m. (EST).

Saturday 8:30 a.m. - 4:30 p.m. (EST)

or visit our website at **www.whirlpoolappliances.ca**.

Our consultants provide assistance with:

- Features and specifications on our full line of appliances.
- Referrals to local dealers.

For parts, accessories and service in Canada

Call **1-800-807-6777**. Whirlpool Canada LP designated service technicians are trained to fulfill the product warranty and provide after-warranty service, anywhere in Canada.

For further assistance

If you need further assistance, you can write to Whirlpool Canada LP with any questions or concerns at:

Customer Interaction Centre
Whirlpool Canada LP
1901 Minnesota Court
Mississauga, Ontario L5N 3A7

Please include a daytime phone number in your correspondence.

WHIRLPOOL® AIR CONDITIONER WARRANTY

FIVE YEAR FULL WARRANTY

For five years from the date of purchase, when this air conditioner (excluding air filter) is installed, operated and maintained according to instructions attached to or furnished with the product, We at Whirlpool Corporation or Whirlpool Canada LP will repair or replace the product at our discretion to correct defects in materials or workmanship in the mechanical or electrical controls and in the sealed refrigeration system, including the compressor, evaporator, condenser, dry-strainer and connection tubing. Service must be provided by a Whirlpool designated service company.

30 DAY LIMITED WARRANTY ON AIR FILTER

For 30 days from date of purchase, when this air conditioner is operated and maintained according to instructions attached to or furnished with the product, Whirlpool Corporation or Whirlpool Canada LP will pay for replacement air filter to correct defects in materials or workmanship.

Whirlpool Corporation or Whirlpool Canada LP will not pay for:

1. Service calls to correct the installation of your air conditioner, instruct you on how to use your air conditioner, to replace house fuses or correct house wiring or reset circuit breakers, or to clean or replace owner accessible air filters.
2. Repairs when your air conditioner is used in other than normal, single-family household use.
3. Damage resulting from accident, alteration, misuse, abuse, fire, floods, acts of God, improper installation not in accordance with local electrical and plumbing codes, or use of products not approved by Whirlpool Corporation or Whirlpool Canada LP.
4. Replacement parts or repair labor costs for units operated outside the United States or Canada.
5. Pickup and delivery. Your air conditioner is designed to be repaired in the home.
6. The removal and reinstallation of your air conditioner if it is installed in an overhead or other inaccessible location or is not installed in accordance with published installation instructions.
7. Repairs to parts or systems resulting from unauthorized modifications made to the appliance.
8. In Canada, travel or transportation expenses for customers who reside in remote areas.

WHIRLPOOL CORPORATION OR WHIRLPOOL CANADA LP SHALL NOT BE LIABLE FOR INCIDENTAL OR CONSEQUENTIAL DAMAGES.

Some states and provinces do not allow the exclusion or limitation of incidental or consequential damages, so this exclusion or limitation may not apply to you. This warranty gives you specific legal rights and you may also have other rights which vary from state to state and province to province.

Outside the 50 United States and Canada, this warranty does not apply. Contact your authorized Whirlpool dealer to determine if another warranty applies.

If you need service, first see "Troubleshooting." Additional help can be found by checking "Assistance or Service," or by calling our Customer eXperience Center at **1-800-253-1301**, from anywhere in the U.S.A. or write: Whirlpool Corporation, Customer eXperience Center, 553 Benson Road, Benton Harbor, MI 49022-2692.

For service in Canada, call **1-800-807-6777**. Whirlpool Canada LP designated service technicians are trained to fulfill the product warranty and provide after-warranty service, anywhere in Canada. If you need further assistance, you can write to Whirlpool Canada LP with any questions or concerns at: Customer Interaction Centre, Whirlpool Canada LP, 1901 Minnesota Court, Mississauga, Ontario L5N 3A7. Please include a daytime phone number in your correspondence.

11/04

Keep this warranty and your sales slip together for future reference. You must provide proof of purchase or installation date for in-warranty service.

Write down the following information about your air conditioner to better help you obtain assistance or service if you ever need it. You will need to know your complete model number and serial number.

Dealer name _____
Address _____
Phone number _____
Model number _____
Serial number _____
Purchase date _____

SEGURIDAD DEL ACONDICIONADOR DE AIRE

Su seguridad y la seguridad de los demás es muy importante.

Hemos incluido muchos mensajes importantes de seguridad en este manual y en su electrodoméstico. Lea y obedezca siempre todos los mensajes de seguridad.



Este es el símbolo de advertencia de seguridad.

Este símbolo le llama la atención sobre peligros potenciales que pueden ocasionar la muerte o una lesión a usted y a los demás.

Todos los mensajes de seguridad irán a continuación del símbolo de advertencia de seguridad y de la palabra "PELIGRO" o "ADVERTENCIA". Estas palabras significan:

! PELIGRO

Si no sigue las instrucciones de inmediato, usted puede morir o sufrir una lesión grave.

! ADVERTENCIA

Si no sigue las instrucciones, usted puede morir o sufrir una lesión grave.

Todos los mensajes de seguridad le dirán el peligro potencial, le dirán cómo reducir las posibilidades de sufrir una lesión y lo que puede suceder si no se siguen las instrucciones.

INSTRUCCIONES IMPORTANTES DE SEGURIDAD

ADVERTENCIA: Para reducir el riesgo de incendio, choque eléctrico o lesiones personales al usar su acondicionador de aire, siga estas precauciones básicas:

- Conecte a un contacto de pared de conexión a tierra de 3 terminales.
- No quite el terminal de conexión a tierra.
- No use un adaptador.
- No use un cable eléctrico de extensión.
- Desconecte el acondicionador de aire antes de darle servicio.
- Use dos o más personas para mover e instalar el acondicionador de aire.

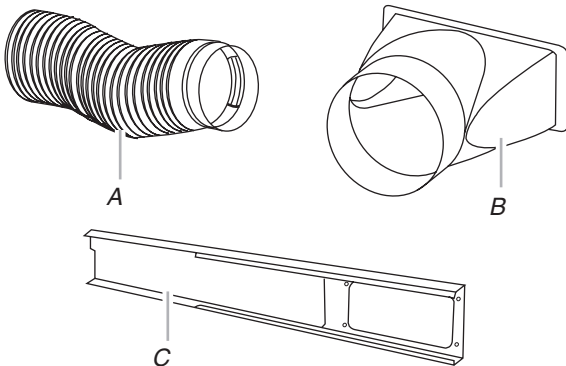
CONSERVE ESTAS INSTRUCCIONES

REQUISITOS DE INSTALACIÓN

Piezas

Piezas proporcionadas

Verifique que estén todas las piezas en el paquete de piezas.

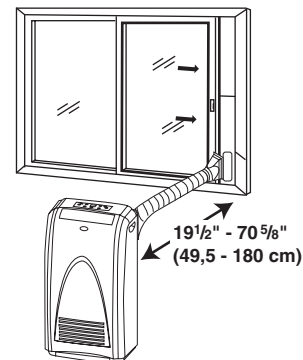


A. Manguera de escape flexible
B. Adaptador del escape de la ventana
C. Juego deslizante para ventana (3)

Requisitos de ubicación

NOTAS:

- Ubique el acondicionador de aire entre 19½" (49,5 cm) y 70⅝" (180 cm) de la ventana o puerta.



- Mantenga una distancia mínima de 19½" (49,5 cm) desde la salida de aire de retorno a la pared u otros obstáculos.
- No bloquee la entrada de aire.
- Provea un fácil acceso a un contacto de pared de conexión a tierra de 3 terminales.

Requisitos eléctricos

⚠ ADVERTENCIA



Peligro de Choque Eléctrico

Conecte a un contacto de pared de conexión a tierra de 3 terminales.

No quite el terminal de conexión a tierra.

No use un adaptador.

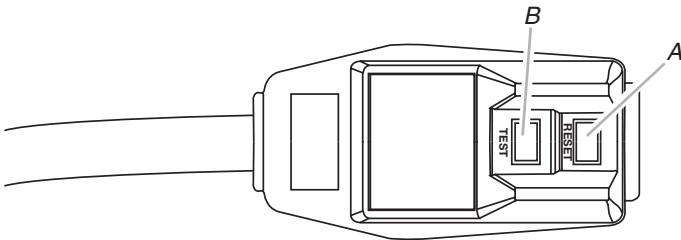
No use un cable eléctrico de extensión.

No seguir estas instrucciones puede ocasionar la muerte, incendio o choque eléctrico.

- El acondicionador de aire portátil deberá conectarse en un contacto de conexión a tierra de 3 terminales, de 115 Voltios, 60 Hz, de 15 ó 20 amperios con fusibles.
- Se recomienda utilizar un fusible o un cortacircuitos retardador.
- Todas las instalaciones eléctricas deberán cumplir con los códigos eléctricos nacionales y locales y deberán ser hechas por un instalador eléctrico calificado. En caso de dudas, póngase en contacto con un electricista calificado.

Cable de suministro de energía

NOTA: Su aparato puede ser diferente del que se ilustra.



A. Botón de reposición
B. Botón de prueba

Este acondicionador de aire para habitación está equipado con un cable de suministro de energía según lo exige UL. Este cable de suministro de energía incluye circuitos electrónicos de última generación que detectan la corriente de fuga. Si se aplasta el cable, el elemento electrónico detecta la corriente de fuga y la energía se desconecta en una fracción de segundo.

⚠ ADVERTENCIA



Peligro de Choque Eléctrico

Conecte a un contacto de pared de conexión a tierra de 3 terminales.

No quite el terminal de conexión a tierra.

No use un adaptador.

No use un cable eléctrico de extensión.

No seguir estas instrucciones puede ocasionar la muerte, incendio o choque eléctrico.

Para poner a prueba el cable de suministro de energía:

1. Enchufe el cable de suministro de energía en un tomacorriente de 3 terminales con conexión a tierra.
2. Presione RESET (Reposición).
3. Presione TEST (Prueba) (escuche el chasquido, el botón de reposición se atrapa y salta).
4. Presione y suelte RESET (escuche el chasquido, el botón de reposición queda asegurado y se mantiene asegurado). El cable de suministro de energía está listo para su funcionamiento.

NOTAS:

- El botón de reposición debe presionarse para el funcionamiento adecuado.
- El cable de suministro de energía debe ser reemplazado si no se dispara cuando se presione el botón de prueba o cuando falle la reposición.
- No use el cable de suministro de energía como un interruptor de encendido y apagado. El cable de suministro de energía ha sido diseñado como un dispositivo protector.
- Un cable de suministro de energía dañado debe ser reemplazado por un nuevo cable de suministro de energía obtenido del fabricante del producto y no debe ser reparado.
- El cable de suministro de energía no contiene piezas que pueda arreglar el usuario. Todos los reclamos de desempeño y la garantía quedarán anulados si se abre el estuche resistente a alteraciones.

INSTRUCCIONES DE INSTALACIÓN

Desempaque el acondicionador de aire

⚠ ADVERTENCIA

Peligro de Peso Excesivo

Use dos o más personas para mover e instalar el acondicionador de aire.

No seguir esta instrucción puede ocasionar una lesión en la espalda u otro tipo de lesiones.

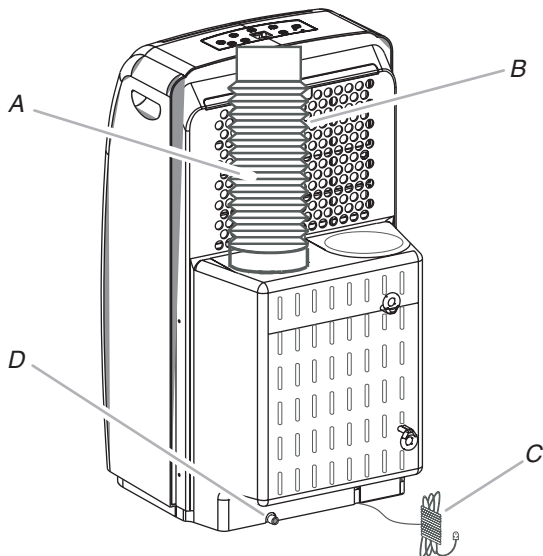
Quite los materiales de empaque

- Quite y deshágase debidamente de todos los materiales de embalaje. Quite las cintas y los residuos de goma del acondicionador de aire antes de encenderlo. Frote un poco de detergente líquido para vajillas sobre el adhesivo con los dedos. Limpie con agua tibia y seque.
- No use instrumentos filosos, alcohol para fricciones, líquidos inflamables o productos de limpieza abrasivos para eliminar los restos de cinta o goma. Estos productos pueden dañar la superficie de su acondicionador de aire.

Instalación del acondicionador de aire portátil

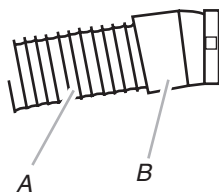
Instale la manguera de escape y el adaptador

1. Haga rodar el acondicionador de aire hasta la ubicación elegida. Vea "Requisitos de ubicación".
2. Inserte la manguera de escape en la abertura de la parte posterior del acondicionador de aire.
3. Gire hacia la derecha para trabar la manguera en su lugar.



A. Manguera de escape flexible
B. Entrada de aire para el evaporador
C. Suministro de energía
D. Orificio de desagüe

4. Fije el adaptador del escape de la ventana a la manguera de escape flexible. Gire hacia la derecha hasta que quede firmemente trabado en su lugar.



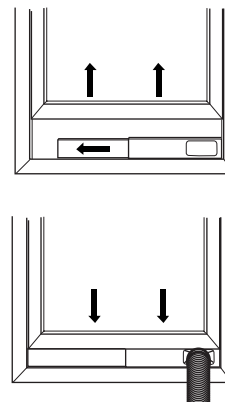
A. Manguera de escape flexible
B. Adaptador del escape de la ventana

Instalación para ventana

Su juego deslizante para ventana fue diseñado para encajar en casi todo tipo de ventanas verticales y horizontales estándar. Sin embargo, podría ser necesario que tenga que modificar algunos aspectos de los procedimientos de instalación para ciertos tipos de ventanas.

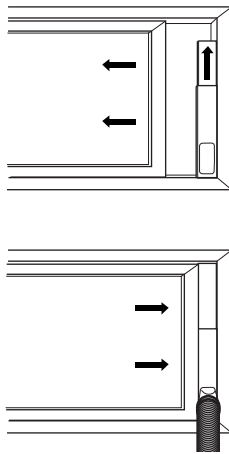
1. Abrir la ventana.
2. Ubicar el juego deslizante para ventana en la ventana, extendiéndolo de manera tal que encaje en el ancho de la misma.

Ventana deslizante vertical

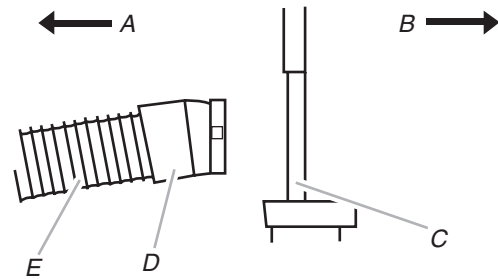


NOTA: Para la instalación en ventana a bisagra, el juego deslizante para ventana puede ser instalado verticalmente con el adaptador del tubo de escape en la parte inferior.

Ventana deslizante horizontal



3. Cerrar la ventana sobre el juego deslizante para ventana a fin de asegurarlo.
4. Inserte el adaptador del escape de la ventana en el juego deslizante de la ventana.

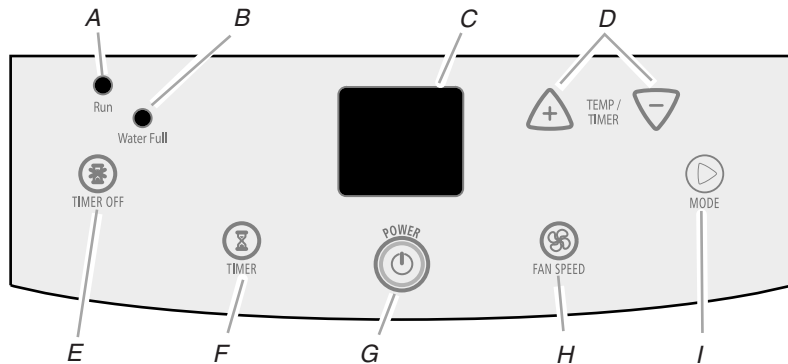


- A. Al acondicionador de aire
 B. Exterior
 C. Juego deslizante para ventana
 D. Adaptador del escape de la ventana
 E. Manguera de escape flexible

CÓMO USAR SU ACONDICIONADOR DE AIRE PORTÁTIL

NOTAS:

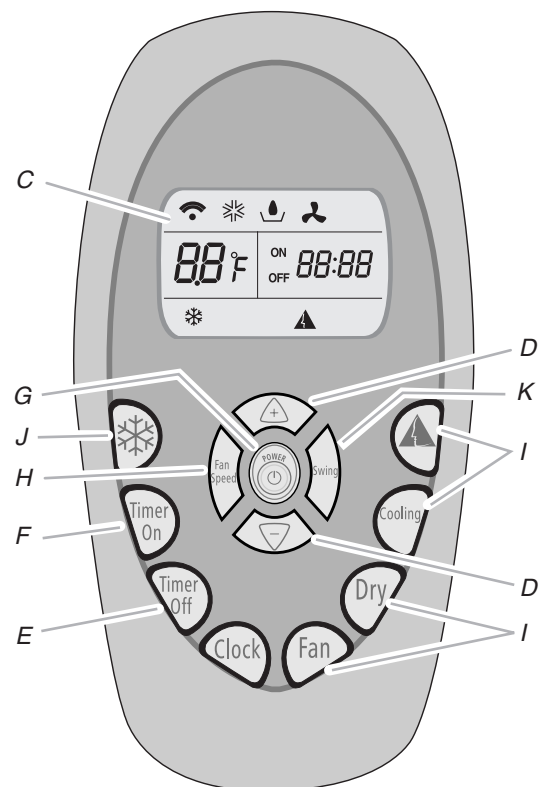
- La apariencia del control remoto puede variar.
- El control remoto se alimenta con dos pilas AA (no incluidas). No use pilas recargables. Cambie las pilas después de 6 meses de uso o cuando el control remoto comienza a perder fuerza.
- Para hacer funcionar el acondicionador de aire con el control remoto, dirija el control remoto hacia el receptor de señal desde una distancia no mayor a los 23 pies (7 m).



- A. Luz indicadora RUN (En Uso)
 B. Luz indicadora WATER FULL (Máximo nivel de agua)
 C. Pantalla
 D. Botones de más y menos TEMP/TIME (Temperatura/Hora)

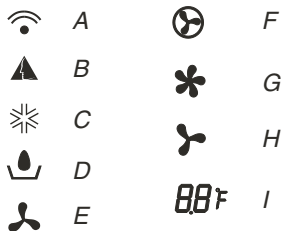
- E. Botón de TIMER OFF (Temporizador apagado)
 F. Botón de TIMER (Temporizador) encendido
 G. Botón de POWER (Encendido)
 H. Botón de FAN SPEED (Velocidad de ventilador)—elija Auto, High (Alta) o Low (Baja)

- I. Botón de MODE (Modo)—elija control de ComfortMode™, Cooling (Enfriamiento), Dry (Seco) o Fan Only (Sólo ventilador)
 J. Control del modo RapidCool™
 K. Control de SWING (cambio) de la dirección de aire



Uso del panel de control

Símbolos de la pantalla



- A. Luz indicadora de transmisión de señal de control remoto
B. Luz indicadora de control ComfortMode™
C. Luz indicadora de modo enfriamiento
D. Luz indicadora de modo seco
E. Luz indicadora de modo sólo ventilador
F. Luz indicadora de modo ventilación automática
G. Luz indicadora de modo velocidad alta del ventilador
H. Luz indicadora de modo velocidad baja del ventilador
I. Temperatura fijada en la pantalla

NOTAS:

- La pantalla del acondicionador de aire muestra la temperatura actual de la habitación y un reloj de 24 horas.
- En caso de corte de electricidad, el acondicionador de aire funcionará con los ajustes previos cuando se reanude la electricidad.
- Cuando se cambien los modos mientras el acondicionador de aire esté en funcionamiento, el compresor se detendrá por 3 a 5 minutos antes de recomenzar. Si se presiona un botón durante este tiempo, el compresor no se reiniciará hasta transcurridos otros 3 a 5 minutos.
- En el modo de Cooling (Enfriamiento) o Dry (Seco), el compresor y el ventilador se detendrán cuando la temperatura de la habitación alcance la temperatura fijada.

Mode (Modo)

Oprima MODE para seleccionar el control de ComfortMode™, Cooling (Enfriamiento), Dry (Seco) o Fan Only (Sólo ventilación).



Modo de Cooling (Enfriamiento)

Enfría el ambiente. El usuario ajusta la temperatura y la velocidad del ventilador.

1. Oprima MODE para seleccionar Cooling.
2. Seleccione la velocidad del ventilador. Vea "Fan Speed (Velocidad de ventilación)".
3. Seleccione la temperatura. Vea "Temperatura".
4. Oprima POWER (Encendido) para encender el acondicionador de aire. La luz indicadora RUN se encenderá de verde.
5. Cuando la luz indicadora WATER FULL (Lleno de agua) se ponga roja, el acondicionador de aire se apagará automáticamente. Vea "Cuidado del acondicionador de aire portátil" para obtener instrucciones sobre cómo desaguar el acondicionador de aire.

Modo de Dry (Seco)

Seca el ambiente. El usuario ajusta la temperatura. El ventilador funciona solamente en Low (baja).

NOTAS:

- El modo de Dry no debe utilizarse para enfriar la habitación.
 - El modo de Dry no necesita una manguera de salida de aire caliente.
1. Oprima MODE para seleccionar Dry.
 2. Seleccione la temperatura. Vea "Temperatura".
 3. Oprima POWER (Encendido) para encender el acondicionador de aire. La luz indicadora RUN se encenderá de verde.
 4. Cuando la luz indicadora WATER FULL (Lleno de agua) se ponga roja, el acondicionador de aire se apagará automáticamente. Vea "Cuidado del acondicionador de aire portátil" para obtener instrucciones sobre cómo desaguar el acondicionador de aire.

NOTAS:

- Presione la tecla de menos una vez para disminuir 2°F (1°C) la temperatura fijada o presione dos veces para disminuir 4°F (2°C) la temperatura fijada.
- Presione la tecla de más una vez para aumentar 2°F (1°C) la temperatura fijada o presione dos veces para aumentar 4°F (2°C) la temperatura fijada.

Control de ComfortMode™

El acondicionador de aire selecciona automáticamente el modo de enfriamiento o seco según la temperatura de la habitación. Cuando se fija el modo Dry, el acondicionador de aire automáticamente selecciona la velocidad de ventilación y la temperatura. Cuando se fija el modo Cooling, el acondicionador de aire automáticamente selecciona la temperatura mientras que el usuario puede seleccionar la velocidad de ventilación.

1. Oprima MODE para seleccionar el control ComfortMode™. Según la temperatura de la habitación, el compresor y el ventilador comenzarán a funcionar automáticamente. La luz indicadora RUN (En Uso) se encenderá de verde y el aire comenzará a correr.
2. Durante el modo de Cooling se puede cambiar la velocidad de ventilación. Vea "Fan Speed (Velocidad de ventilación)".
3. Cuando la luz indicadora WATER FULL (Lleno de agua) se ponga roja, el acondicionador de aire se apagará automáticamente. Vea "Cuidado del acondicionador de aire portátil" para obtener instrucciones sobre cómo desaguar el acondicionador de aire.

NOTAS:

- Presione la tecla de menos una vez para disminuir 2°F (1°C) la temperatura fijada o presione dos veces para disminuir 4°F (2°C) la temperatura fijada.
- Presione la tecla de más una vez para aumentar 2°F (1°C) la temperatura fijada o presione dos veces para aumentar 4°F (2°C) la temperatura fijada.

Modo de Fan Only (Sólo ventilación)

Sirve solamente para mover el aire. El usuario ajusta la velocidad del ventilador.

1. Oprima MODE para seleccionar Fan Only (Sólo ventilación).
2. Seleccione la velocidad de ventilación. Vea "Fan Speed (Velocidad de ventilación)".
3. Oprima POWER (Encendido) para encender el acondicionador de aire. La luz de indicadora RUN se encenderá de verde.

Fan Speed (Velocidad de ventilación)

1. Oprima FAN para seleccionar la velocidad de ventilación.
2. Seleccione Auto, High (Alta) o Low (Baja).
 - Auto—la velocidad del ventilador se ajusta automáticamente
 - High—máximo nivel de enfriamiento
 - Low—mínimo nivel de enfriamiento



NOTA: Presione y sostenga FAN SPEED (Velocidad del ventilador) 3 segundos para cambiar la dirección vertical del flujo de aire. Presione y sostenga FAN SPEED por 3 segundos nuevamente para detener la rejilla de flujo de aire en la dirección deseada.

Temperatura

1. Oprima el botón de más para aumentar la temperatura 2°F (1°C).



2. Oprima el botón de menos para disminuir la temperatura 2°F (1°C).



NOTAS:

- En el modo de Cooling, la temperatura puede fijarse entre 64°F (18°C) y 90°F (32°C).
- En el modo de Fan Only, no se puede ajustar la temperatura.
- Para cambiar la temperatura de la pantalla de °F to °C, presione y sostenga los botones de más y de menos por 3 segundos.

Hora del día

1. Presione y sostenga TIMER (Temporizador) y TIMER OFF (Temporizador apagado). Aparecerá "12:00" en la pantalla.
2. Oprima el botón de más o menos para ajustar la hora (reloj de 24 horas).



Retardo del temporizador

Para programar el temporizador para un retardo de 1 a 24 horas hasta que el acondicionador de aire se apague (el acondicionador de aire tiene que estar Encendido):

1. Oprima TIMER OFF (Temporizador apagado). La luz indicadora Temporizador "OFF 00:00" destellará.



2. Oprima el botón de más o de menos para cambiar el tiempo de retardo (de 1 a 24 horas).
3. Oprima TIMER OFF (Temporizador apagado) nuevamente. La luz indicadora Temporizador "OFF 00:00" permanecerá encendida.

Para programar el temporizador de manera que el acondicionador de aire se encienda manteniendo los ajustes previos:

1. Apague el acondicionador de aire.
2. Oprima TIMER. La luz indicadora Temporizador "ON 12:00" destellará.



3. Oprima el botón de más o menos para cambiar el tiempo de retardo (de 1 a 24 horas).
4. Oprima TIMER nuevamente. La luz indicadora Temporizador "ON 12:00" permanecerá encendida.

Para programar el temporizador de manera que el acondicionador de aire se encienda cambiando los ajustes previos:

1. Apague el acondicionador de aire.
2. Ajuste el Modo al control ComfortMode™, Cooling (Enfriamiento), Dry (Seco) o Fan Only (Sólo ventilador).
3. Para el modo Cooling:
 - Ajuste la velocidad del ventilador a High, Low o Auto.
 - Ajuste la temperatura entre 64°F (18°C) y 90°F (32°C).
4. Para el modo Fan Only, ajuste velocidad del ventilador a High o Low.
5. Para los modos al control ComfortMode™ y Dry (Seco), ajuste la temperatura hacia arriba o hacia abajo en 4°F (2,2°C)
NOTA: En el modo de Fan Only (Sólo ventilador), no se puede ajustar la temperatura.
6. Oprima TIMER. La luz indicadora Temporizador "ON 12:00" destellará.
7. Oprima el botón de más o menos para cambiar el tiempo de retardo (de 1 a 24 horas).
8. Oprima TIMER nuevamente. La luz indicadora Temporizador "ON 12:00" permanecerá encendida.

Para borrar la programación del tiempo de retardo del temporizador:

NOTA: El acondicionador de aire puede estar encendido o apagado.

Presione y sostenga TIMER OFF por 3 segundos. La luz indicadora Temporizador se apagará.

Para ver el tiempo restante (en horas):

1. Oprima TIMER o TIMER OFF una vez después de que haya sido programado.
2. Mientras la pantalla muestra el tiempo restante, usted puede oprimir el botón de más o menos para aumentar o disminuir el tiempo.

Using el control remoto

Para encender o apagar el acondicionador de aire:

Presione el boton de encendido.



Modo

1. Presione COOLING (Enfriamiento) para enfriar el ambiente.



2. Presione DRY (Seco) para eliminar la humedad de la habitación sin enfriar.



NOTA: El modo de Dry funciona solamente con el ventilador en velocidad baja. El botón de Fan Speed (Velocidad de ventilación) no funcionará con este modo.

3. Presione FAN para hacer funcionar el ventilador sin enfriar. Presione FAN SPEED (Velocidad de ventilación) para seleccionar High (Alta) o Low (Baja).



Control de ComfortMode™

1. Presione el control de ComfortMode. La temperatura y la velocidad de ventilación se ajustan automáticamente.



2. Presione el botón de más o menos para aumentar o disminuir 4°F (2°C) la temperatura ajustada.
3. Presione FAN SPEED para alternar entre la velocidad alta y baja cada vez que se oprime la velocidad de ventilación.

Modo de RapidCool™

Se utiliza este modo para enfriar rápidamente. Se ajustan automáticamente tanto la velocidad del ventilador en alta y la temperatura en 64°F (18°C).

NOTA: El botón del control de ComfortMode™ no funciona en el modo RapidCool.

1. Presione el modo de RapidCool. La temperatura se fija automáticamente en 64°F (18°C).



2. Para apagar el modo de RapidCool, oprima el control de ComfortMode, COOLING (Enfriamiento), DRY (Seco), FAN (Ventilador), el botón de encendido o los botones de más o menos.

Velocidad de ventilación (solamente en el modo de Cooling (Enfriamiento) o Fan Only (Sólo ventilación))

1. Presione FAN SPEED.
2. Seleccione Auto, High (Alta) o Low (Baja).



Temperatura

Para subir la temperatura:

Presione el botón de más para aumentar la temperatura 2°F (1°C).



Para bajar la temperatura:

Presione el botón de menos para disminuir la temperatura 2°F (1°C).



Hora del día

1. Presione y sostenga CLOCK (Reloj). Aparecerá "12:00" en la pantalla.



2. Presione el botón de más o menos para fijar la hora.

Retardo del temporizador

Para programar el temporizador para un retardo de 1 a 24 horas hasta que el acondicionador de aire se apague (el acondicionador de aire tiene que estar Encendido):

1. Presione TIMER OFF (Temporizador apagado). La luz indicadora Temporizador "OFF 00:00" destellará.



2. Presione el botón de más o menos para cambiar la hora del día (de 1 a 24 horas).
3. Oprima TIMER OFF (Temporizador apagado) nuevamente. La luz indicadora Temporizador "OFF 00:00" permanecerá encendida.

Para programar el temporizador de manera que el acondicionador de aire se encienda manteniendo los ajustes previos:

1. Apague el acondicionador de aire.
2. Presione TIMER ON (Temporizador encendido). La luz indicadora Temporizador "ON 12:00" destellará.



3. Presione el botón de más o menos para cambiar la hora del día (de 1 a 24 horas).
4. Presione TIMER ON (Temporizador encendido) nuevamente. La luz indicadora Temporizador "ON 12:00" permanecerá encendida.

Para programar el temporizador de manera que el acondicionador de aire se encienda cambiando los ajustes previos:

1. Apague el acondicionador de aire.
2. Ajuste el Modo al control ComfortMode™, Cooling, Dry, Fan o RapidCool™.
3. Para el modo Cooling:
 - Ajuste la velocidad del ventilador a High, Low o Auto.
 - Ajuste la temperatura entre 64°F (18°C) y 90°F (32°C).
4. Para el modo Fan, ajuste velocidad del ventilador a High o Low.
5. Para los modos al control ComfortMode™ y Dry, ajuste la temperatura hacia arriba o hacia abajo en 4°F (2,2°C)
NOTA: En el modo de Fan (Ventilador), no se puede ajustar la temperatura.
6. Oprima TIMER ON. La luz indicadora Temporizador "ON 12:00" destellará.
7. Oprima el botón de más o menos para cambiar el tiempo de retardo (de 1 a 24 horas).
8. Oprima TIMER ON nuevamente. La luz indicadora Temporizador "ON 12:00" permanecerá encendida.

Para borrar la programación del tiempo de retardo del temporizador:

NOTA: El acondicionador de aire puede estar encendido o apagado.

Presione y sostenga TIMER OFF por 3 segundos. La luz indicadora Temporizador se apagará.

Para ver el tiempo restante (en horas):

1. Oprima TIMER ON o TIMER OFF una vez después de que haya sido programado.
2. Mientras la pantalla muestra el tiempo restante, usted puede oprimir el botón de más o menos para aumentar o disminuir el tiempo.

NOTA: El Timer On (Temporizador encendido) y el Timer Off (Temporizador apagado) pueden ajustarse en el mismo momento.

Cómo cambiar la dirección del aire

Presione SWING (Movimiento) (en el control remoto solamente) una vez para cambiar la dirección vertical del flujo del aire. Presione nuevamente para detener la rejilla de flujo de aire en la dirección deseada.



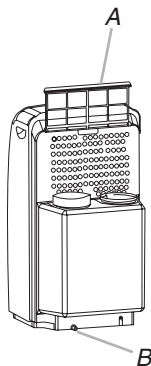
NOTA: En el panel de control presione y sostenga FAN SPEED (Velocidad del ventilador) 3 segundos para cambiar la dirección vertical del flujo de aire. Presione y sostenga FAN SPEED por 3 segundos nuevamente para detener la rejilla de flujo de aire en la dirección deseada.

Sonidos normales

Cuando el acondicionador de aire está funcionando normalmente, usted podrá escuchar sonidos como:

- Gotas de agua que caen sobre el condensador, produciendo tintineos o chasquidos. Las gotas de agua ayudan a enfriar el condensador.
- El movimiento del aire que sale del ventilador.
- Chasquidos del ciclo del termostato.
- Vibraciones o ruidos debidos a deficiencias en la construcción de la pared o ventana.
- Un zumbido agudo o un ruido pulsante producido por la alternación de los ciclos del moderno compresor de alta eficiencia.

CÓMO CUIDAR SU ACONDICIONADOR DE AIRE PORTÁTIL



A. Filtro de aire
B. Tapón de desagüe

Limpieza del filtro de aire

1. Oprima POWER (Encendido) para apagar el acondicionador de aire.
2. Quite el filtro deslizándolo hacia arriba.
3. Limpie el filtro de aire usando una aspiradora. Si está muy sucio, lave el filtro de aire con agua tibia y un detergente suave.
NOTA: No lave el filtro de aire en la lavavajillas ni use limpiadores químicos.
4. Seque bien el filtro al aire antes de colocarlo nuevamente para asegurarse la máxima eficiencia.

Limpieza del exterior

1. Desenchufe el acondicionador de aire o desconecte el suministro de energía.
2. Saque el filtro de aire y limpie separadamente. Vea "Limpieza del filtro de aire".
3. Limpie el exterior con un paño suave y húmedo.
4. Enchufe el acondicionador de aire o reconecte el suministro de energía.
5. Oprima POWER (Encendido) para encender el acondicionador de aire.

Desagüe del acondicionador de aire

1. Oprima POWER (Encendido) para apagar el acondicionador de aire.
2. Desenchufe el acondicionador de aire o desconecte el suministro de energía.
3. Mueva el acondicionador de aire a un lugar de desagüe o hacia afuera.
4. Quite el tapón de desagüe de goma y deje que el agua drene del acondicionador de aire.
5. Vuelva a instalar el tapón de desagüe.
6. Vuelva a colocar el acondicionador de aire en su lugar.

7. Enchufe el acondicionador de aire o reconecte el suministro de energía.
8. Oprima POWER (Encendido) para encender el acondicionador de aire.
NOTA: También se puede conectar una manguera de desagüe al orificio de desagüe para drenar el agua del acondicionador de aire. Vea "Instalación del acondicionador de aire portátil" para ubicar el orificio de desagüe.

Almacenamiento después del uso

1. Quite el tapón de desagüe y drene el agua completamente.
2. Haga funcionar el acondicionador de aire con el ventilador solamente durante aproximadamente 12 horas para que éste se seque.
3. Desenchufe el acondicionador de aire.
4. Quite el filtro y límpielo. Vea "Limpieza del filtro de aire".
5. Limpie el exterior del acondicionador de aire. Vea "Limpieza del exterior".
6. Vuelva a instalar el filtro.
7. Saque las baterías del control remoto y guárdelas junto con el acondicionador de aire en un lugar limpio y seco.
8. Saque la manguera de aire y guárdelas junto con el acondicionador de aire en un lugar limpio y seco. Vea "Instrucciones de instalación".

SOLUCIÓN DE PROBLEMAS

Antes de solicitar servicio, pruebe las sugerencias que se incluyen a continuación para ver si puede resolver el problema sin ayuda. Si todavía necesita ayuda, vea "Ayuda o servicio técnico".

Problema	Causa posible	Solución
Su acondicionador de aire no funciona	■ El cable de suministro de energía está desconectado.	Conecte a un contacto de pared de conexión a tierra de 3 terminales. Vea "Requisitos eléctricos".
	■ El cable de suministro de energía se trabó (el botón de reposición saltó).	Presione y suelte RESET (escuche el chasquido, el botón de reposición queda asegurado y se mantiene asegurado) para reanudar el funcionamiento.
	■ Se ha fundido un fusible de la casa o disparado un disyuntor.	Reemplace el fusible o reposicione el disyuntor. Vea "Requisitos eléctricos".
	■ No se ha presionado el botón de Power.	Presione POWER.
	■ Se ha interrumpido la energía eléctrica en su localidad.	Espere que se restablezca la energía eléctrica.
El acondicionador de aire funde los fusibles o dispara los disyuntores	■ Se están usando muchos aparatos en el mismo circuito.	Desconecte o ponga en otro lugar los aparatos que estén usando el mismo circuito.
	■ Se está usando un fusible de retardo o un disyuntor con la capacidad incorrecta.	Reemplácelo con un fusible de retardo o un disyuntor con la capacidad correcta. Vea "Requisitos eléctricos".
	■ Se está usando un cable eléctrico de extensión.	No use un cable eléctrico de extensión con este ni cualquier otro aparato.

Problema	Causa posible	Solución
	<ul style="list-style-type: none"> Usted está tratando de volver a poner en marcha el acondicionador de aire muy poco tiempo después de apagarlo. 	Espere por lo menos 3 minutos antes de poner en marcha el acondicionador de aire después de apagarlo.
	<ul style="list-style-type: none"> Ha cambiado el modo. 	Espere por lo menos 3 minutos antes de poner en marcha el acondicionador de aire después de apagarlo.
El cable de suministro de energía del acondicionador de aire se traba (el botón de reposición salta)	<ul style="list-style-type: none"> Las interrupciones en la corriente eléctrica de su casa pueden hacer trabar (el botón de reposición saltará) el cable de suministro de energía. 	Presione y libere RESET (Reposición) (escuche el chasquido, el botón de reposición queda asegurado y se mantiene asegurado) para reanudar el funcionamiento.
	<ul style="list-style-type: none"> Una sobrecarga eléctrica, el recalentamiento, los pellizcos y el envejecimiento pueden hacer que se trabe (el botón de reposición saltará) el cable de suministro de energía. 	Luego de corregir el problema, presione y libere RESET (Reposición) (escuche el chasquido, el botón de reposición queda asegurado y se mantiene asegurado) para reanudar el funcionamiento. NOTA: Un cable de suministro de energía dañado debe ser reemplazado por un nuevo cable de suministro de energía obtenido del fabricante del producto y no debe ser reparado.
Parece que el acondicionador de aire funciona excesivamente	<ul style="list-style-type: none"> ¿Está abierta una ventana o una puerta? 	Mantenga las puertas y ventanas cerradas.
	<ul style="list-style-type: none"> Su actual acondicionador de aire reemplazó un modelo viejo. 	El uso de componentes más eficientes puede hacer que el acondicionador de aire funcione por más tiempo que su antiguo modelo, pero el consumo total de energía será menor. Los acondicionadores de aire más nuevos no emiten las "ráfagas" de aire frío a las que usted estaba acostumbrado con sus unidades anteriores, pero esto no es indicio de menor capacidad o eficiencia en el enfriamiento. Verifique el régimen de eficiencia (EER) y el régimen de capacidad (en BTU/hr.) que se indican en el acondicionador de aire.
	<ul style="list-style-type: none"> El acondicionador de aire se encuentra en una habitación muy congestionada o se están usando en la misma habitación aparatos que generan calor. 	Use ventiladores aspiradores cuando esté cocinando o bañándose y trate de no usar aparatos que generan calor durante las horas más calurosas del día. Podría necesitar un acondicionador de aire con más capacidad, dependiendo del tamaño de la habitación que se desea enfriar.
El acondicionador de aire funciona solamente por un corto tiempo y la habitación no está fría	<ul style="list-style-type: none"> Se fijó una temperatura similar a la temperatura de la habitación. 	Baje la temperatura fijada. Vea "Uso de los controles".
El acondicionador de aire funciona pero no enfría	<ul style="list-style-type: none"> El filtro está sucio u obstruido por escombros. 	Limpie el filtro.
	<ul style="list-style-type: none"> La salida del aire está bloqueada. 	Despeje la salida del aire.
	<ul style="list-style-type: none"> Se fijó la temperatura en un ajuste demasiado alto. 	Baje la temperatura fijada.
	<ul style="list-style-type: none"> El acondicionador de aire perdió carga (fuga en el sistema) o funcionó a temperaturas inferiores a 64°F (18°C). 	Si la alarma de control suena 3 veces seguidas, póngase en contacto con un técnico de servicio.

Problema	Causa posible	Solución
El acondicionador de aire alterna demasiado	■ El acondicionador de aire se fijó en el modo de ComfortMode™.	Utilice el control de ComfortMode™ únicamente cuando esté fuera de su hogar o durmiendo, debido a que el ventilador no hace circular el aire de la sala continuamente.
	■ El acondicionador de aire no tiene el tamaño adecuado para su habitación.	Verifique la capacidad de enfriamiento de su acondicionador de aire portátil. Los acondicionadores de aire portátiles no están diseñados para enfriar varias habitaciones.
	■ El filtro está sucio u obstruido por desechos.	Limpie el filtro.
	■ Hay demasiado calor o humedad (se está cocinando en recipientes abiertos, duchas, etc.) en la habitación.	Use un ventilador para eliminar el calor o la humedad de la habitación. Trate de no usar aparatos que generan calor durante las horas más calurosas del día.
	■ Las rejillas están bloqueadas.	Instale el acondicionador de aire en un lugar donde las rejillas no estén bloqueadas por cortinas, persianas, muebles, etc.
	■ La temperatura exterior es inferior a los 64°F (18°C).	No trate de poner en marcha el acondicionador de aire en el modo de enfriamiento cuando la temperatura exterior sea inferior a los 64°F (18°C).
	■ La temperatura de la habitación que está tratando de enfriar está demasiado caliente.	Deje pasar más tiempo para que el acondicionador de aire enfríe una habitación muy caliente.
	■ Están abiertas ventanas o puertas que dan al exterior.	Cierre todas las puertas y ventanas.
La temperatura de la pantalla no coincide con la temperatura de la habitación	■ Cuando el motor del compresor y del ventilador se apague durante el modo Power Saver (Ahorro de energía) o después de que usted apague la unidad, es posible que por un período corto de tiempo se vea en la pantalla una temperatura más baja que la temperatura de la habitación.	El motivo por el cual la lectura de la temperatura es más baja es porque la resistencia térmica está ubicada cerca del serpentín del evaporador. La temperatura real de la habitación aparecerá en la pantalla en unos minutos.
Se filtra agua del gabinete a su casa	■ El tapón de desagüe no está debidamente instalado.	Instale el tapón de desagüe adecuadamente.
La luz indicadora Water Full (Lleno de agua) queda encendida y el acondicionador de aire se apaga	■ Esto es normal.	Vea “Cuidado del acondicionador de aire portátil” para obtener instrucciones sobre cómo desaguar el acondicionador de aire.

AYUDA O SERVICIO TÉCNICO

Antes de solicitar ayuda o servicio técnico, por favor consulte la sección "Solución de Problemas". Esto le podría ahorrar el costo de una visita de servicio técnico. Si considera que aún necesita ayuda, siga las instrucciones que aparecen a continuación.

Cuando llame, tenga a mano la fecha de compra y el número completo del modelo y de la serie de su electrodoméstico. Esta información nos ayudará a atender mejor a su pedido.

Si necesita piezas de repuesto

Si necesita pedir piezas de repuesto, recomendamos que use únicamente piezas especificadas de fábrica FSP®. Estas piezas encajarán bien y funcionarán bien ya que están confeccionadas con la misma precisión empleada en la fabricación de cada electrodoméstico nuevo de WHIRLPOOL®.

Para encontrar piezas de repuesto FSP® en su localidad, llámenos o comuníquese con el centro de servicio designado por Whirlpool más cercano a su localidad.

En los EE.UU.

Llame al Centro para la eXperiencia del cliente de Whirlpool sin costo alguno al: **1-800-253-1301** o visite nuestro sitio web en **www.whirlpool.com**.

Nuestros consultores ofrecen asistencia con respecto a:

- Características y especificaciones de nuestra línea completa de electrodomésticos.
- Información sobre instalación.
- Procedimiento para el uso y mantenimiento.
- Venta de accesorios y piezas para reparación.
- Asistencia especializada para el cliente (habla hispana, problemas de audición, visión limitada, etc.).
- Recomendaciones con distribuidores locales, compañías que dan servicio y distribuidores de partes para reparación. Los técnicos de servicio designados por Whirlpool están entrenados para cumplir con la garantía del producto y ofrecer servicio una vez que la garantía termine, en cualquier lugar de los Estados Unidos.

Para localizar a una compañía de servicio designada por Whirlpool en su área, también puede consultar la sección amarilla de su guía telefónica.

Para obtener más asistencia

Si necesita asistencia adicional, puede escribir a Whirlpool Corporation con sus preguntas o dudas a:

Whirlpool Brand Home Appliances
Customer eXperience Center
553 Benson Road
Benton Harbor, MI 49022-2692

Favor de incluir un número telefónico de día en su correspondencia.

GARANTÍA DEL ACONDICIONADOR DE AIRE DE WHIRLPOOL®

GARANTÍA COMPLETA DE CINCO AÑOS

Por cinco años a partir de la fecha de compra, mientras este acondicionador de aire (excluyendo el filtro de aire) haya sido instalado, operado y mantenido según las instrucciones adjuntas o provistas con el producto, Whirlpool Corporation reparará o reemplazará el producto, a nuestra discreción, para corregir defectos en los materiales o en la fabricación en los controles mecánicos o eléctricos, y en el sistema sellado de refrigeración incluyendo el compresor, evaporador, condensador, secadora filtro y tubos de conexión. El servicio deberá ser suministrado por una compañía de servicio designada por Whirlpool.

GARANTÍA LIMITADA EN EL FILTRO DE AIRE DE 30 DÍAS

Por 30 días a partir de la fecha de compra, mientras este acondicionador de aire haya sido operado y mantenido según las instrucciones adjuntas o provistas con el producto, Whirlpool Corporation pagará por el filtro de aire de reemplazo, para corregir defectos en los materiales o en la fabricación.

Whirlpool Corporation no pagará por:

1. Llamadas de servicio para corregir la instalación de su acondicionador de aire, instruirle cómo usar su acondicionador de aire, reemplazar fusibles de la casa, corregir el cableado de la casa o reconectar disyuntores, o para limpiar o cambiar los filtros de aire accesibles al propietario.
2. Reparaciones cuando su acondicionador de aire se use de un modo diferente al doméstico normal de una sola familia.
3. Daños causados por accidente, alteración, uso indebido, abuso, incendio, inundación, actos fortuitos, instalación incorrecta que no esté de acuerdo con los códigos eléctricos y de plomería locales o el empleo de productos no aprobados por Whirlpool Corporation.
4. Gastos para piezas de repuesto o de mano de obra para la reparación de unidades que se empleen fuera de los Estados Unidos.
5. Recogida y entrega. Su acondicionador de aire está diseñado para ser reparado en el hogar.
6. La remoción y reinstalación de su acondicionador de aire si se ha instalado en un lugar elevado u otro lugar inaccesible, o no se ha instalado de acuerdo con las instrucciones de instalación publicadas.
7. Reparaciones de piezas o sistemas como resultado de modificaciones no autorizadas que se hayan efectuado en el electrodoméstico.

WHIRLPOOL CORPORATION NO SE HARÁ RESPONSABLE POR DAÑOS INCIDENTALES O CONSECUENTES.

Algunos estados no permiten la exclusión o limitación de daños incidentales o consecuentes, de modo que esta exclusión o limitación quizás no le corresponda a usted. Esta garantía le otorga derechos legales específicos, y es posible que usted tenga también otros derechos, los cuales varían de un estado a otro.

Esta garantía no tiene vigor fuera de los 50 Estados Unidos. Póngase en contacto con el distribuidor autorizado de Whirlpool para determinar si corresponde otra garantía.

Si necesita servicio, vea primero la sección "Solución de problemas". Puede obtener ayuda adicional revisando la sección "Ayuda o servicio técnico" o llamando al Centro para la eXperiencia del cliente al **1-800-253-1301**, desde cualquier parte de los EE.UU. o escriba a: Whirlpool Corporation, Customer eXperience Center, 553 Benson Road, Benton Harbor, MI 49022-2692.

9/04

Guarde esta garantía y su comprobante de venta juntos para referencia futura. Deberá proporcionar evidencia de la compra o una fecha de instalación para obtener servicio bajo la garantía.

Escriba la siguiente información acerca de su acondicionador de aire para ayudarle mejor a obtener asistencia o servicio técnico si alguna vez llegara a necesitarlo. Deberá tener a mano el número completo del modelo y de la serie.

Nombre del distribuidor _____

Dirección _____

Número de teléfono _____

Número de modelo _____

Número de serie _____

Fecha de compra _____

SÉCURITÉ DU CLIMATISEUR

Votre sécurité et celle des autres est très importante.

Nous donnons de nombreux messages de sécurité importants dans ce manuel et sur votre appareil ménager. Assurez-vous de toujours lire tous les messages de sécurité et de vous y conformer.



Voici le symbole d'alerte de sécurité.

Ce symbole d'alerte de sécurité vous signale les dangers potentiels de décès et de blessures graves à vous et à d'autres.

Tous les messages de sécurité suivront le symbole d'alerte de sécurité et le mot "DANGER" ou "AVERTISSEMENT". Ces mots signifient :

⚠ DANGER

Risque possible de décès ou de blessure grave si vous ne suivez pas immédiatement les instructions.

⚠ AVERTISSEMENT

Risque possible de décès ou de blessure grave si vous ne suivez pas les instructions.

Tous les messages de sécurité vous diront quel est le danger potentiel et vous disent comment réduire le risque de blessure et ce qui peut se produire en cas de non-respect des instructions.

IMPORTANTES INSTRUCTIONS DE SÉCURITÉ

AVERTISSEMENT : Pour réduire les risques d'incendie, de choc électrique ou des blessures lors de l'utilisation du climatiseur, prendre quelques précautions fondamentales, y compris les suivantes :

- Brancher l'appareil sur une prise à 3 alvéoles reliée à la terre.
- Ne pas utiliser un câble de rallonge.
- Ne pas enlever la broche de liaison à la terre.
- Débrancher le climatiseur avant l'entretien.
- Ne pas utiliser un adaptateur.
- Utiliser deux ou plus de personnes pour déplacer et installer le climatiseur.

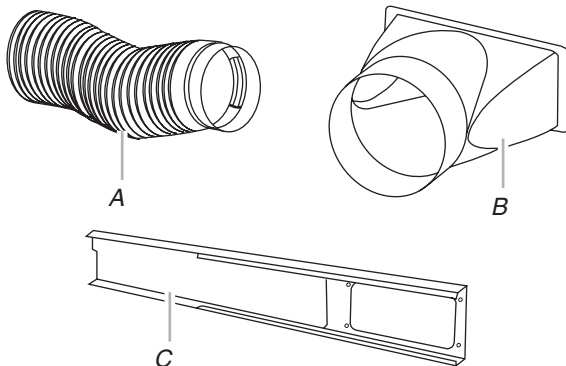
CONSERVEZ CES INSTRUCTIONS

EXIGENCES D'INSTALLATION

Pièces

Pièces fournies

Vérifier que toutes les pièces sont présentes dans le sachet de pièces.



A. Tuyau d'évacuation

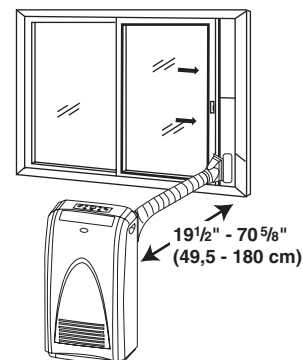
B. Adaptateur du tuyau d'évacuation pour fenêtre

C. Ensemble coulissant pour fenêtre (3)

Exigences d'emplacement

REMARQUES :

- Placer l'appareil de 19 1/2" (49,5 cm) à 70 5/8" (180 cm) de la fenêtre ou porte.



- Maintenir la distance exigée de la prise de retour d'air au mur ou autres obstacles à 19 1/2" (49,5 cm) minimum.
- Ne pas bloquer la prise d'entrée d'air ou la sortie d'air.
- Permettre un accès facile à une prise à 3 alvéoles reliée à la terre.

Spécifications électriques

⚠️ AVERTISSEMENT



Risque de choc électrique

Brancher sur une prise à 3 alvéoles reliée à la terre.

Ne pas enlever la broche de liaison à la terre.

Ne pas utiliser un adaptateur.

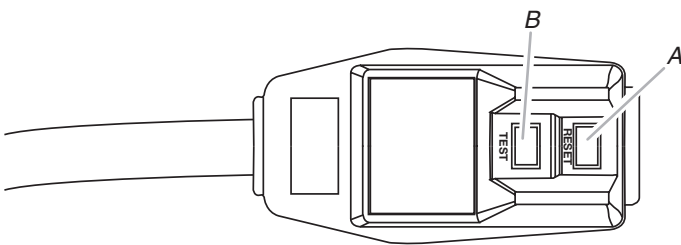
Ne pas utiliser un câble de rallonge.

Le non-respect de ces instructions peut causer un décès, un incendie ou un choc électrique.

- Le climatiseur portatif doit être raccordé à une prise à trois alvéoles de 115 V, 60 Hz, 15 ou 20 ampères, protégée par fusible et reliée à la terre.
- On recommande l'emploi d'un disjoncteur ou fusible temporisé.
- Le câblage électrique doit respecter les codes local et national de l'électricité et être installé par un électricien qualifié. Contacter un électricien qualifié en cas de questions.

Cordon d'alimentation

REMARQUE : Votre appareil peut différer de celui qui est illustré.



A. Bouton Reset (réinitialisation)

B. Bouton Test

Ce climatiseur de pièce est équipé d'un cordon d'alimentation conforme aux exigences de UL. Ce cordon d'alimentation comporte des circuits électroniques d'avant-garde détectant les courants de fuite. En cas d'écrasement du cordon d'alimentation, les circuits électroniques détectent les courants de fuite et l'alimentation est interrompue en une fraction de seconde.

⚠️ AVERTISSEMENT



Risque de choc électrique

Brancher sur une prise à 3 alvéoles reliée à la terre.

Ne pas enlever la broche de liaison à la terre.

Ne pas utiliser un adaptateur.

Ne pas utiliser un câble de rallonge.

Le non-respect de ces instructions peut causer un décès, un incendie ou un choc électrique.

Pour tester le cordon d'alimentation :

1. Brancher le cordon d'alimentation dans une prise à 3 alvéoles reliée à la terre.
2. Appuyer sur RESET (réinitialisation).
3. Appuyer sur TEST (un déclic se fait entendre, le bouton Reset se déclenche et ressort).
4. Appuyer sur le bouton RESET et le relâcher (un déclic se fait entendre, le bouton Reset s'enclenche et reste enfoncé). Le cordon d'alimentation est prêt à être utilisé.

REMARQUES :

- Le bouton Reset (réinitialisation) doit être enfoncé pour une utilisation correcte.
- Le cordon d'alimentation doit être remplacé s'il ne se déclenche pas lorsqu'on appuie sur le bouton de test ou si l'appareil n'est pas réinitialisé.
- Ne pas utiliser le cordon d'alimentation comme interrupteur. Le cordon d'alimentation est conçu pour remplir les fonctions de dispositif de protection.
- Un cordon d'alimentation endommagé doit être remplacé par un nouveau cordon d'alimentation obtenu auprès du fabricant et ne doit pas être réparé.
- Le cordon d'alimentation ne comprend aucune pièce utilisable. Ouvrir le boîtier inviolable annule toute garantie et réclamation pour mauvaise performance.

INSTRUCTIONS D'INSTALLATION

Déballage du climatiseur

⚠ AVERTISSEMENT

Risque du poids excessif

Utiliser deux ou plus de personnes pour déplacer et installer le climatiseur.

Le non-respect de cette instruction peut causer une blessure au dos ou d'autre blessure.

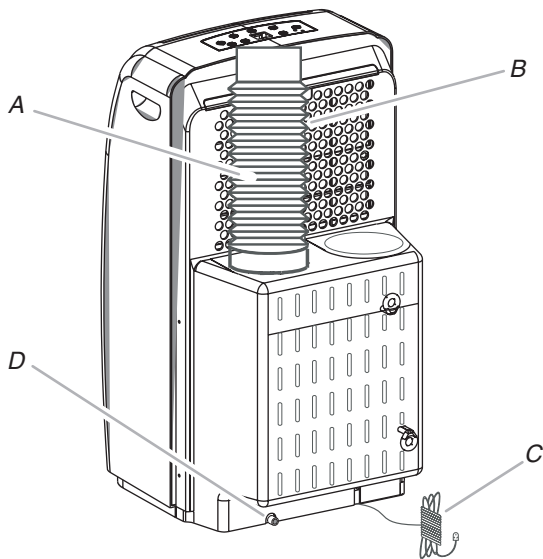
Enlèvement des matériaux d'emballage

- Enlever et jeter de façon appropriée les matériaux d'emballage. Enlever tout résidu de ruban adhésif et de colle des surfaces avant de mettre le climatiseur en marche. Frotter une petite quantité de savon liquide à vaisselle sur l'adhésif avec les doigts. Rincer à l'eau tiède et sécher.
- Ne pas utiliser d'instruments coupants, d'alcool à friction, de liquides inflammables ou de nettoyeurs abrasifs pour enlever le ruban adhésif ou la colle. Ces produits peuvent endommager la surface de votre climatiseur.

Installation d'un climatiseur portatif

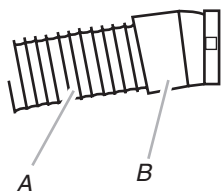
Installer le tuyau d'évacuation et l'adaptateur

1. Faire rouler l'appareil jusqu'à l'emplacement choisi. Voir "Exigences d'emplacement".
2. Insérer le tuyau d'évacuation souple dans l'ouverture située à l'arrière de l'appareil.
3. Tourner dans le sens horaire pour mettre le tuyau en place.



A. Tuyau d'évacuation souple
B. Arrivée d'air de l'évaporateur
C. Alimentation électrique
D. Orifice de drainage

4. Fixer l'adaptateur d'évacuation sur la fenêtre au tuyau d'évacuation flexible. Tourner dans le sens horaire jusqu'à ce qu'il soit maintenu fermement en place.



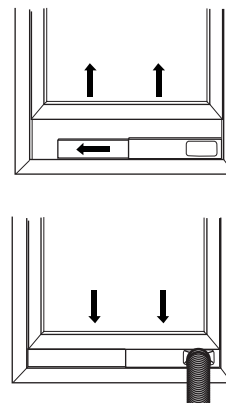
A. Tuyau d'évacuation souple
B. Tuyau d'évacuation de la fenêtre

Installation pour fenêtre

Cet ensemble coulissant pour fenêtre coulissante a été conçu pour s'adapter à la plupart des fenêtres verticales et horizontales de type standard. Cependant, il peut être nécessaire de modifier certains aspects de la procédure d'installation selon le type de fenêtres utilisées.

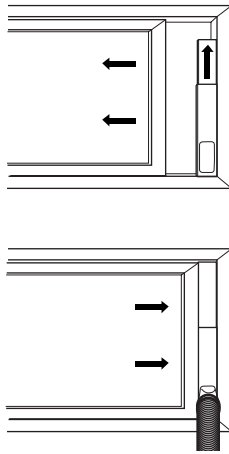
1. Ouvrir la fenêtre.
2. Placer l'ensemble coulissant pour fenêtre dans la fenêtre, en l'étirant pour l'adapter à la largeur de la fenêtre.

Fenêtre à coulissement vertical

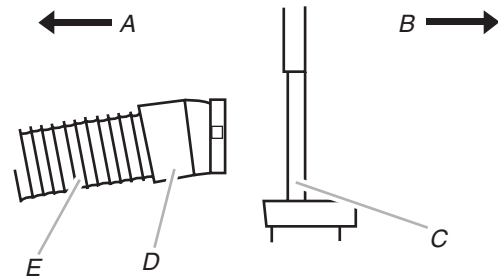


REMARQUE : Pour une installation dans une fenêtre à battants, l'ensemble coulissant pour fenêtre peut être installé verticalement avec l'ouverture dans la partie inférieure.

Fenêtre à coulissement horizontal



3. Fermer la fenêtre sur l'ensemble coulissant pour le maintenir en place.
4. Insérer l'adaptateur du tuyau d'évacuation de la fenêtre dans l'ensemble coulissant.



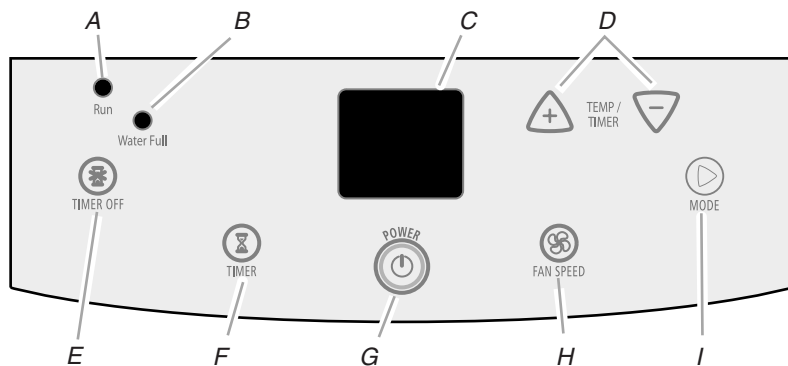
- A. Au climatiseur
B. Extérieur
C. Ensemble coulissant de la fenêtre
D. Adaptateur du tuyau d'évacuation
E. Tuyau d'évacuation flexible

UTILISATION DU CLIMATISEUR PORTATIF

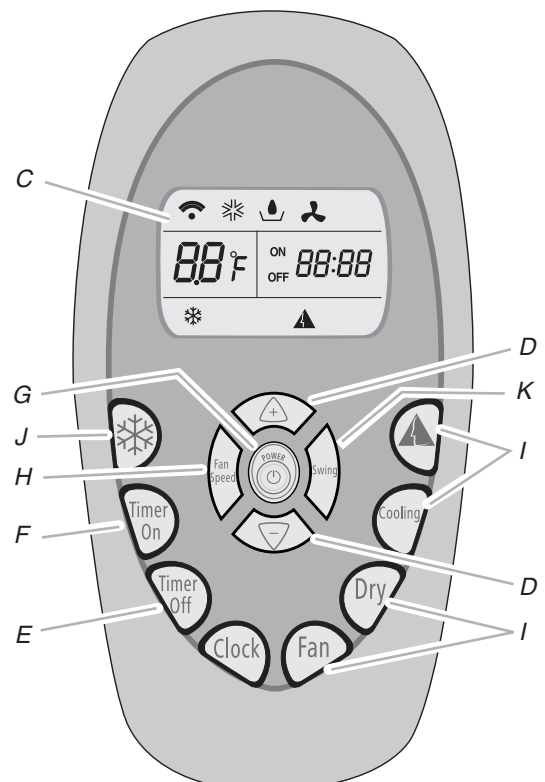
REMARQUES :

- L'apparence de la télécommande peut varier.
- Deux piles AA (non incluses) alimentent la télécommande. Ne pas utiliser de piles rechargeables. Remplacer les piles après 6 mois d'usage ou lorsque le fonctionnement de la télécommande n'est plus satisfaisant.

- Pour faire fonctionner le climatiseur avec la télécommande, diriger la télécommande vers le récepteur de signal en vous plaçant à moins de 23 pi (7 m) de l'appareil.



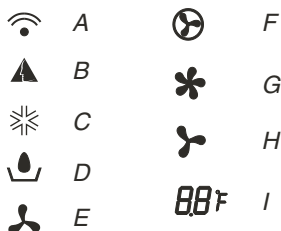
- A. Témoin lumineux RUN (en fonction)
B. Témoin lumineux WATER FULL (plein d'eau)
C. Affichage
D. Boutons "+" et "-" TEMP/TIME (temp./durée)
E. Bouton TIMER OFF (arrêt minuterie)
F. Bouton mise en marche TIMER (minuterie)
G. Bouton POWER (alimentation)
H. Bouton FAN SPEED (vitesse du ventilateur) – sélectionner Auto, High (élevée) ou Low (basse)



- I. Bouton MODE – sélectionner la commande ComfortMode™, Cooling (refroidissement), Dry (séchage) ou Fan Only (ventilateur seulement)
J. Commande mode RapidCool™
K. Commande SWING (changement de direction de l'air)

Utilisation du panneau de commande

Symboles d'affichage



A. Témoin lumineux de transmission de signal à la télécommande

B. Témoin lumineux ComfortMode™

C. Témoin lumineux mode Cooling

D. Témoin lumineux mode Dry

E. Témoin lumineux mode Fan Only

F. Témoin lumineux vitesse du ventilateur automatique

G. Témoin lumineux vitesse du ventilateur élevée

H. Témoin lumineux vitesse du ventilateur basse

I. Affichage de la température réglée

REMARQUES :

- L'afficheur du climatiseur indique la température ambiante et une horloge de 24 heures.
- En cas de panne de courant, votre climatiseur fonctionnera aux réglages précédents lorsque le courant sera restauré.
- En cas de modification des modes en cours de fonctionnement du climatiseur, le compresseur s'arrêtera pendant 3 à 5 minutes avant de redémarrer. Si on appuie sur un bouton au cours de cette période, le compresseur ne redémarrera pas avant 3 à 5 minutes.
- En mode Cooling ou Dry, le compresseur et le ventilateur s'arrêteront lorsque la température ambiante aura atteint la température réglée.

Mode

Appuyer sur MODE pour sélectionner la commande ComfortMode™, Cooling, Dry ou Fan Only.



Mode Cooling (refroidissement)

Refroidit la pièce. La température et la vitesse du ventilateur sont réglées par l'utilisateur.

1. Appuyer sur MODE pour sélectionner Cooling.
2. Sélectionner la vitesse du ventilateur. Voir "Vitesse du ventilateur".
3. Sélectionner la température. Voir "Température".
4. Appuyer sur POWER pour mettre le climatiseur en marche. Le témoin lumineux RUN s'allumera en vert.
5. Lorsque le témoin lumineux WATER FULL (plein d'eau) s'allume en rouge, le climatiseur s'éteint automatiquement. Voir "Entretien du climatiseur portatif" pour des instructions sur la vidange du climatiseur.

Mode Dry (séchage)

Sèche la pièce. La température est réglée par l'utilisateur. Le ventilateur fonctionne à la vitesse Low (basse) seulement.

REMARQUES :

- Le mode Dry ne doit pas être utilisé pour refroidir la pièce.
 - Le mode Dry ne nécessite pas de tuyau de sortie d'air chaud.
1. Appuyer sur MODE pour sélectionner Dry.
 2. Sélectionner la température. Voir "Température".
 3. Appuyer sur POWER pour mettre le climatiseur en marche. Le témoin lumineux RUN s'allumera en vert.
 4. Lorsque le témoin lumineux WATER FULL (plein d'eau) s'allume en rouge, le climatiseur s'éteint automatiquement. Voir "Entretien du climatiseur portatif" pour des instructions sur la vidange du climatiseur.

REMARQUES :

- Appuyer une fois sur la touche "-" pour réduire la température réglée de 2°F (1°C), ou appuyer deux fois pour diminuer la température de 4°F (2°C).
- Appuyer une fois sur la touche "+" pour augmenter la température réglée de 2°F (1°C), ou appuyer deux fois pour augmenter la température de 4°F (2°C).

Commande ComfortMode™

Le climatiseur sélectionne automatiquement le mode refroidissement ou le mode séchage en fonction de la température ambiante. En mode Dry, l'appareil sélectionne automatiquement la vitesse du ventilateur et la température. En mode Cooling, le climatiseur sélectionne automatiquement la température, mais l'utilisateur peut sélectionner la vitesse du ventilateur.

1. Appuyer sur MODE pour sélectionner la commande ComfortMode. Le compresseur et le ventilateur se mettront en marche automatiquement en fonction de la température ambiante. Le témoin lumineux RUN s'allumera en vert et le mouvement de l'air débutera.
2. En mode Cooling, la vitesse du ventilateur peut être modifiée. Voir "Vitesse du ventilateur".
3. Lorsque le témoin lumineux WATER FULL (plein d'eau) s'allume en rouge, le climatiseur s'éteint automatiquement. Voir "Entretien du climatiseur portatif" pour des instructions sur la vidange du climatiseur.

REMARQUES :

- Appuyer une fois sur la touche "-" pour réduire la température réglée de 2°F (1°C), ou appuyer deux fois pour diminuer la température de 4°F (2°C).
- Appuyer une fois sur la touche "+" pour augmenter la température réglée de 2°F (1°C), ou appuyer deux fois pour augmenter la température de 4°F (2°C).

Mode Fan Only (ventilateur seulement)

Sert uniquement pour déplacer l'air. La vitesse du ventilateur est réglée par l'utilisateur.

1. Appuyer sur MODE pour sélectionner Fan Only.
2. Sélectionner la vitesse du ventilateur. Voir "Vitesse du ventilateur".
3. Appuyer sur POWER pour mettre le climatiseur en marche. Le témoin lumineux RUN s'allumera en vert.

Fan Speed (vitesse du ventilateur)

1. Appuyer sur FAN pour sélectionner la vitesse du ventilateur.
2. Choisir Auto, High (élevée) ou Low (basse).
 - Auto—vitesse du ventilateur réglée automatiquement
 - High—refroidissement maximum
 - Low—refroidissement minimum



REMARQUE : Appuyer sans relâcher sur FAN SPEED pendant 3 secondes pour changer la direction d'écoulement d'air vertical. Appuyer sans relâcher sur FAN SPEED à nouveau pendant 3 secondes pour placer la grille d'aération sur la direction d'écoulement d'air désirée.

Température

1. Appuyer sur la touche “+” pour augmenter la température de 2°F (1°C).



2. Appuyer sur la touche “-” pour réduire la température de 2°F (1°C).



REMARQUES :

- En mode Cooling, la température peut être réglée entre 64°F (18°C) et 90°F (32°C).
- En mode Fan Only, la température ne peut pas être réglée.
- Pour passer de l'affichage de la température en °F à °C, appuyer sur les touches “+” et “-” pendant 3 secondes.

Heure

1. Appuyer sans relâcher sur TIMER et TIMER OFF. “12:00” s'affichera.
2. Appuyer sur la touche “+” ou “-” pour régler l'heure (horloge de 24 heures).



Mise en marche/arrêt différé

Pour régler la minuterie pour un délai de 1 à 24 heures jusqu'à ce que le climatiseur s'arrête (le climatiseur doit être marche) :

1. Appuyer sur TIMER OFF (arrêt minuterie). L'indicateur lumineux “OFF 00:00” clignotera.



2. Appuyer sur le bouton “+” ou “-” pour changer la durée de délai (1 à 24 heures).
3. Appuyer à nouveau sur TIMER OFF (arrêt minuterie). L'indicateur lumineux “OFF 00:00” restera allumé.

Pour régler la mise en marche différée du climatiseur en gardant les réglages précédents :

1. Arrêter le climatiseur.
 1. Appuyer sur TIMER (minuterie). L'indicateur lumineux “ON 12:00” clignotera.



2. Appuyer sur le bouton “+” ou “-” pour changer la durée de délai (1 à 24 heures).
3. Appuyer à nouveau sur TIMER. L'indicateur lumineux “ON 12:00” restera allumé.

Pour régler la mise en marche différée du climatiseur en changeant les réglages précédents :

1. Arrêter le climatiseur.
2. Régler mode sur commande ComfortMode™, Cooling, Dry ou Fan Only.
3. Pour le mode Cooling :
 - Ajuster la vitesse du ventilateur à High, Low ou Auto.
 - Ajuster la température entre 64°F (18°C) et 90°F (32°C).
4. Pour le mode Fan Only, ajuster la vitesse du ventilateur à High ou Low.
5. Pour le mode commande ComfortMode™ et le mode Dry, ajuster la température vers le haut ou vers le bas de 4°F (2,2°C)

REMARQUE : En mode Fan Only, la température ne peut pas être réglée.

6. Appuyer sur TIMER. L'indicateur lumineux “ON 12:00” clignotera.
7. Appuyer sur le bouton “+” ou “-” pour changer la durée de délai (1 à 24 heures).
8. Appuyer à nouveau sur TIMER. L'indicateur lumineux “ON 12:00” restera allumé.

Pour effacer le programme de mise en marche/arrêt différé :

REMARQUE : Le climatiseur peut être soit en marche soit arrêté. Appuyer sur TIMER OFF pendant 3 secondes. L'indicateur lumineux s'éteindra.

Pour voir ou modifier le temps qui reste (en heures) :

1. Appuyer sur TIMER ou TIMER OFF une fois après que la minuterie a été programmée.
2. Pour augmenter ou diminuer la durée, appuyer sur le bouton “+” ou “-” alors que le temps restant est indiqué sur l'afficheur.

Utilisation de la télécommande

Pour mettre en marche ou éteindre le climatiseur :

Appuyer sur le bouton d'alimentation.



Mode

1. Appuyer sur COOLING pour refroidir la pièce.



2. Appuyer sur DRY pour enlever l'humidité de la pièce sans refroidir.



REMARQUE : Le mode Dry fonctionne uniquement en vitesse de ventilateur basse. Le bouton Fan Speed ne fonctionnera pas avec ce mode.

3. Appuyer sur FAN pour faire fonctionner le ventilateur sans refroidir. Appuyer sur FAN SPEED pour sélectionner High (élevée) ou Low (basse).



Commande ComfortMode™

1. Appuyer sur la commande ComfortMode™. La température et la vitesse du ventilateur sont réglées automatiquement.



2. Appuyer sur le bouton à flèche haut/bas pour augmenter ou réduire la température réglée de 4°F (2°C).
3. Appuyer sur FAN SPEED pour alterner entre les vitesses High (élevée) et Low (basse) à chaque fois qu'on appuie sur Fan Speed.

Mode RapidCool™

Utilisé pour un refroidissement rapide. Règle automatiquement la vitesse du ventilateur à High (élevée) et la température à 64°F (18°C).

REMARQUE : Le bouton de commande ComfortMode™ ne fonctionne pas en mode RapidCool.

1. Appuyer sur RapidCool. La température se réglera automatiquement à 64°F (18°C).



2. Pour éteindre le mode RapidCool, appuyer sur n'importe laquelle des touches suivantes : ComfortMode, COOLING, DRY, FAN, le bouton d'alimentation ou les boutons "+" ou "-".

Vitesse du ventilateur (en mode Cooling ou Fan Only seulement)

1. Appuyer sur FAN SPEED.
2. Choisir Auto, High (élevée) ou Low (basse).



Température

Pour augmenter la température :

Appuyer sur le bouton "+" pour augmenter la température de 2°F (1°C).



Pour réduire la température :

Appuyer sur le bouton "-" pour réduire la température de 2°F (1°C).



Heure

1. Appuyer sans relâcher sur CLOCK (horloge). "12:00" s'affichera.



2. Appuyer sur le bouton "+" ou "-" pour régler l'heure.

Mise en marche/arrêt différé

Pour régler la minuterie pour un délai de 1 à 24 heures jusqu'à ce que le climatiseur s'arrête (le climatiseur doit être marche) :

1. Appuyer sur TIMER OFF. L'indicateur lumineux "OFF 00:00" clignotera.



2. Appuyer sur le bouton "+" ou "-" pour changer la durée de délai (1 à 24 heures).
3. Appuyer à nouveau sur TIMER OFF. L'indicateur lumineux "OFF 00:00" restera allumé.

Pour régler la mise en marche différée du climatiseur en gardant les réglages précédents :

1. Arrêter le climatiseur.
2. Appuyer sur TIMER ON. L'indicateur lumineux "ON 12:00" clignotera.



3. Appuyer sur le bouton "+" ou "-" pour changer la durée de délai (1 à 24 heures).
4. Appuyer à nouveau sur TIMER ON. L'indicateur lumineux "ON 12:00" restera allumé.

Pour régler la mise en marche différée du climatiseur en changeant les réglages précédents :

1. Arrêter le climatiseur.
2. Régler Mode sur commande ComfortMode™, Cooling, Dry, Fan ou RapidCool™.
3. Pour le mode Cooling :
 - Ajuster la vitesse du ventilateur à High, Low ou Auto.
 - Ajuster la température entre 64°F (18°C) et 90°F (32°C).
4. Pour le mode Fan, ajuster la vitesse du ventilateur à High ou Low.
5. Pour le mode commande ComfortMode™ et le mode Dry, ajuster la température vers le haut ou vers le bas de 4°F (2,2°C)

REMARQUE : En mode Fan, la température ne peut pas être réglée.

6. Appuyer sur TIMER ON. L'indicateur lumineux "ON 12:00" clignotera.
7. Appuyer sur le bouton "+" ou "-" pour changer la durée de délai (1 à 24 heures).
8. Appuyer à nouveau sur TIMER ON. L'indicateur lumineux "ON 12:00" restera allumé.

Pour effacer le programme mise en marche/arrêt différé :

REMARQUE : Le climatiseur peut être soit en marche soit arrêté.

Appuyer sur TIMER OFF pendant 3 secondes. L'indicateur lumineux s'éteindra.

Pour voir ou modifier le temps qui reste (en heures) :

1. Appuyer sur TIMER ON ou TIMER OFF une fois après que la minuterie a été programmée.
2. Pour augmenter ou diminuer la durée, appuyer sur le bouton "+" ou "-" alors que le temps restant est indiqué sur l'afficheur.

REMARQUE : Les commandes Timer On (mise en marche minuterie) et Timer Off (arrêt minuterie) peuvent être réglées en même temps.

Changement de direction de l'air

Appuyer une fois sur SWING (sur la télécommande uniquement) pour changer la direction de l'écoulement vertical de l'air. Appuyer à nouveau pour placer la grille d'aération sur la direction d'écoulement d'air désirée.



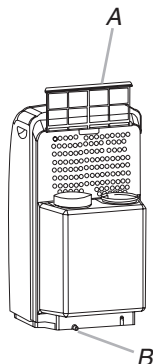
REMARQUE : Sur le panneau de commande, appuyer sans relâcher sur FAN SPEED pendant 3 secondes pour changer la direction d'écoulement d'air vertical. Appuyer sans relâcher sur FAN SPEED à nouveau pendant 3 secondes pour placer la grille d'aération sur la direction d'écoulement d'air désirée.

Sons normaux

Lorsque le climatiseur fonctionne normalement, on peut percevoir certains sons comme :

- Gouttelettes d'eau qui heurtent le condenseur, causant un cliquetis ou un cliquettement. Les gouttelettes d'eau contribuent au refroidissement du condenseur.
- Mouvement de l'air sous l'effet du ventilateur.
- Déclics émis par le thermostat.
- Vibrations ou bruits imputables à une construction médiocre du mur ou de la fenêtre.
- Bourdonnement à fréquence élevée ou pulsations à cause du compresseur moderne à haute efficacité qui se met en marche et s'arrête de façon intermittente.

ENTRETIEN DU CLIMATISEUR PORTATIF



A. Filtre à air

B. Bouchon de vidange

Nettoyage du filtre à air

1. Appuyer sur POWER pour arrêter le climatiseur.
2. Ôter le filtre en le faisant glisser vers le haut.
3. Nettoyer le filtre à air à l'aspirateur. Si le filtre est très sale, le laver avec de l'eau tiède et un détergent doux.

REMARQUE : Ne pas laver le filtre à air au lave-vaisselle ni utiliser de produit nettoyant chimique.

4. Faire sécher parfaitement le filtre à air avant de le réinstaller, afin d'assurer une efficacité maximale.

Nettoyage de la partie extérieure

1. Débrancher le climatiseur ou déconnecter la source de courant électrique.
2. Enlever le filtre à air pour le nettoyer séparément. Voir "Nettoyage du filtre à air".
3. Nettoyer la partie extérieure avec un chiffon doux humide.
4. Brancher le climatiseur ou reconnecter la source de courant électrique.
5. Appuyer sur POWER pour mettre le climatiseur en marche.

Vidange du climatiseur

1. Appuyer sur POWER pour arrêter le climatiseur.
2. Débrancher le climatiseur ou déconnecter la source de courant électrique.
3. Déplacer le climatiseur au lieu de vidange ou à l'extérieur.
4. Ôter le bouchon de vidange de caoutchouc et laisser l'eau s'écouler du climatiseur.
5. Réinstaller le bouchon de vidange.
6. Remettre en place le climatiseur.

7. Brancher le climatiseur ou reconnecter la source de courant électrique.
 8. Appuyer sur POWER pour mettre le climatiseur en marche.
- REMARQUE :** Un tuyau de vidange peut aussi être branché dans l'orifice d'évacuation pour vider l'eau de l'appareil. Voir "Installation du climatiseur portatif" pour l'emplacement de l'orifice d'évacuation.

Remisage après utilisation

1. Retirer la bonde de vidange et évacuer l'eau complètement.
2. Faire fonctionner le climatiseur avec le ventilateur seulement pendant environ 12 heures pour sécher le climatiseur.
3. Débrancher le climatiseur.
4. Ôter le filtre et le nettoyer. Voir "Nettoyage du filtre à air".
5. Nettoyer la partie extérieure du climatiseur. Voir "Nettoyage de la partie extérieure".
6. Réinstaller le filtre.
7. Retirer les piles de la télécommande et les remettre avec le climatiseur dans un endroit propre et sec.
8. Ôter le tuyau à air et le remettre avec le climatiseur dans un endroit propre et sec. Voir "Instructions d'installation".

DÉPANNAGE

Avant de faire un appel de service, essayer les suggestions ci-dessous pour déterminer si vous pouvez résoudre votre problème sans aide extérieure. Si vous avez encore besoin d'aide, voir "Assistance ou service".

Problème	Cause possible	Solution
Le climatiseur ne fonctionne pas	■ Le cordon d'alimentation est débranché.	Brancher sur une prise à 3 alvéoles reliée à la terre. Voir "Spécifications électriques".
	■ Le cordon d'alimentation se déclenche (le bouton Reset s'éjecte).	Appuyer sur RESET et relâcher (un déclic est émis, le bouton Reset s'enclenche et reste enfoncé) pour reprendre le fonctionnement.
	■ Un fusible est grillé ou un disjoncteur s'est déclenché.	Remplacer le fusible ou réarmer le disjoncteur. Voir "Spécifications électriques".
	■ Le bouton d'alimentation Power n'a pas été enfoncé.	Appuyer sur POWER.
	■ Il y a une panne d'électricité locale.	Attendre le rétablissement du courant.
Le climatiseur fait griller les fusibles ou déclenche les disjoncteurs	■ Trop d'appareils sont branchés sur le même circuit.	Débrancher ou déplacer les appareils qui se trouvent sur le même circuit.
	■ Utilisation d'un fusible temporisé ou d'un disjoncteur de capacité inappropriée.	Installer un fusible temporisé ou un disjoncteur de capacité correcte. Voir "Spécifications électriques".
	■ Vous utilisez une rallonge.	Ne pas utiliser de rallonge avec cet appareil ou tout autre.
	■ Vous essayez de remettre le climatiseur en marche trop tôt après l'arrêt du climatiseur.	Attendre au moins 3 minutes après l'arrêt du climatiseur avant de tenter une nouvelle mise en marche.
	■ Vous avez changé de mode.	Attendre au moins 3 minutes après l'arrêt du climatiseur avant de tenter une nouvelle mise en marche.
Le cordon d'alimentation du climatiseur se déclenche (le bouton Reset s'éjecte)	■ Des perturbations au niveau du courant électrique peuvent déclencher (le bouton Reset s'éjecte) le cordon d'alimentation.	Appuyer sur RESET et relâcher (un déclic est émis, le bouton Reset s'enclenche et reste enfoncé) pour reprendre le fonctionnement.

Problème	Cause possible	Solution
	<ul style="list-style-type: none"> ■ Une surcharge électrique, une surchauffe, un resserrement ou l'usure peuvent déclencher (le bouton Reset s'éjecte) le cordon d'alimentation. 	<p>Après avoir corrigé le problème, appuyer sur RESET et relâcher (un déclic est émis, le bouton Reset s'enclenche et reste enfoncé) pour reprendre le fonctionnement.</p> <p>REMARQUE : Un cordon d'alimentation endommagé ne doit pas être réparé mais remplacé par un neuf que l'on peut se procurer auprès du fabricant du produit.</p>
Le climatiseur semble se mettre en marche trop fréquemment	<ul style="list-style-type: none"> ■ Y a-t-il une porte ou une fenêtre ouverte? ■ Ce climatiseur remplace un modèle ancien. ■ Le climatiseur est installé dans une pièce chargée ou dans laquelle des appareils générateurs de chaleur sont installés. 	<p>Garder les portes et les fenêtres fermées.</p> <p>Du fait de l'utilisation de composants plus efficaces, il est possible que le climatiseur fonctionne pendant de plus longues périodes que l'ancien modèle, mais la consommation totale d'énergie sera moindre. Les nouveaux climatiseurs ne projettent pas un puissant jet d'air froid comme les anciens modèles, mais ceci n'indique pas une réduction de la capacité de refroidissement ou de l'efficacité. Se référer à l'indice d'efficacité (EER) et l'indice de capacité (en BTU/h) indiqués sur le climatiseur.</p> <p>Utiliser des ventilateurs d'évacuation d'air pendant les opérations de cuisson ou les bains, et essayer de ne pas utiliser d'appareil générateur de chaleur pendant les périodes les plus chaudes de la journée. Il est peut être nécessaire de choisir un climatiseur de plus grande capacité, selon la taille de la pièce à refroidir.</p>
Le climatiseur fonctionne pendant une courte durée seulement, mais la pièce n'est pas refroidie	<ul style="list-style-type: none"> ■ La température réglée est trop proche de la température ambiante. 	<p>Réduire la température. Voir "Utilisation des commandes".</p>
Le climatiseur fonctionne, mais ne refroidit pas	<ul style="list-style-type: none"> ■ Le filtre est sale ou obstrué par des débris. ■ La sortie d'air est bloquée. ■ La température réglée est trop élevée. ■ La charge du climatiseur a diminué (fuite dans le système) ou le climatiseur a fonctionné à des températures inférieures à 64°F (18°C). 	<p>Nettoyer le filtre.</p> <p>Dégager la sortie d'air.</p> <p>Réduire la température réglée.</p> <p>Si l'avertisseur retentit 3 fois à plusieurs reprises, contacter un technicien de service.</p>
Le climatiseur s'allume et s'éteint trop fréquemment	<ul style="list-style-type: none"> ■ Le mode ComfortMode™ a été sélectionné. ■ La taille du climatiseur n'est pas appropriée à la pièce. ■ Le filtre est sale ou obstrué par des débris. ■ Il y a une quantité excessive de chaleur ou d'humidité (cuisson dans des récipients sans couvercle, douches, etc.) dans la pièce. ■ Les persiennes sont obstruées. ■ La température extérieure est inférieure à 64°F (18°C). 	<p>Utiliser le mode ComfortMode™ seulement pour une période d'absence ou lorsque vous dormez, car le ventilateur ne fait pas circuler l'air de la pièce en permanence.</p> <p>Vérifier la capacité de refroidissement de votre climatiseur portatif. Les climatiseurs portatifs ne sont pas conçus pour refroidir plusieurs pièces.</p> <p>Nettoyer le filtre.</p> <p>Utiliser un ventilateur pour évacuer la chaleur ou l'humidité de la pièce. Essayer de ne pas utiliser d'appareil générateur de chaleur pendant les périodes les plus chaudes de la journée.</p> <p>Installer le climatiseur dans un endroit où les persiennes ne sont pas obstruées par des rideaux, stores, meubles, etc.</p> <p>Ne pas essayer de faire fonctionner le climatiseur au mode de refroidissement lorsque la température extérieure est inférieure à 64°F (18°C).</p>

Problème	Cause possible	Solution
	<ul style="list-style-type: none"> ■ La température de la pièce à refroidir est extrêmement élevée. 	Laisser le climatiseur fonctionner pendant une période plus longue pour refroidir une pièce très chaude.
	<ul style="list-style-type: none"> ■ Les fenêtres ou portes sur l'extérieur sont ouvertes. 	Fermer toutes les portes et fenêtres.
La température affichée ne correspond pas à la température de la pièce	<ul style="list-style-type: none"> ■ Lorsque le moteur du compresseur et du ventilateur s'éteint au cours du mode Power Saver (économie d'énergie), ou après avoir éteint l'appareil, il se peut qu'une température inférieure à la température réelle de la pièce s'affiche pour une courte durée. 	Cette lecture de la température est due au détecteur de température situé près du serpentín de l'évaporateur d'air froid. La température effective de la pièce s'affichera au bout de quelques minutes.
Fuite d'eau provenant de la caisse dans la maison	<ul style="list-style-type: none"> ■ Le bouchon de vidange n'est pas installé correctement. 	Installer correctement le bouchon de vidange.
Le témoin lumineux Water Full (plein d'eau) reste allumé et le climatiseur s'éteint	<ul style="list-style-type: none"> ■ Ceci est normal. 	Voir "Entretien du climatiseur portatif" pour des instructions sur la vidange du climatiseur

ASSISTANCE OU SERVICE

Avant de faire un appel pour assistance ou service, consulter la section "Dépannage". Ce guide peut vous faire économiser le coût d'une visite de service. Si vous avez encore besoin d'aide, suivre les instructions ci-dessous.

Lors d'un appel, veuillez connaître la date d'achat, le numéro de modèle et le numéro de série au complet de l'appareil. Ces renseignements nous aideront à mieux répondre à votre demande.

Si vous avez besoin de pièces de rechange

Si vous avez besoin de commander des pièces de rechange, nous vous recommandons d'employer uniquement des pièces de rechange FSP®. Les pièces de rechange FSP® conviendront et fonctionneront bien parce qu'elles sont fabriquées avec la même précision utilisée dans la fabrication de chaque nouvel appareil WHIRLPOOL®.

Pour obtenir des pièces de rechange FSP® dans votre région, nous contacter ou appeler le Centre de service désigné de Whirlpool le plus proche.

Aux États-Unis

Téléphoner au Centre pour l'eXpérience de la clientèle de Whirlpool sans frais d'interurbain au :

1-800-253-1301 ou visitez notre site web à **www.whirlpoolappliances.ca**.

Nos consultants sont prêts à vous aider pour les questions suivantes :

- Caractéristiques et spécifications sur toute notre gamme d'appareils électroménagers.
- Renseignements d'installation.
- Procédés d'utilisation et d'entretien.
- Vente de pièces de rechange et d'accessoires.
- Assistance spécialisée aux consommateurs (langue espagnole, malentendants, malvoyants, etc.).
- Références aux marchands locaux, distributeurs de pièces de rechange et compagnies de service. Les techniciens de service désignés par Whirlpool sont formés pour effectuer les travaux de réparation sous garantie et le service après la garantie, partout aux États-Unis.

Pour localiser la compagnie de service désignée par Whirlpool dans votre région, vous pouvez aussi consulter les Pages jaunes de l'annuaire téléphonique.

Pour plus d'assistance

Si vous avez besoin de plus d'assistance, vous pouvez soumettre par écrit toute question ou préoccupation à Whirlpool Corporation à l'adresse suivante :

Whirlpool Brand Home Appliances
Customer eXperience Center
553 Benson Road
Benton Harbor, MI 49022-2692

Dans votre correspondance veuillez indiquer un numéro de téléphone où on peut vous joindre dans la journée.

Au Canada

Pour des questions relatives aux produits, veuillez appeler sans frais le Centre d'interaction avec la clientèle de Whirlpool Canada LP au : **1-800-461-5681**.

Lundi à vendredi 8 h - 18 h (HNE).

Samedi 8 h 30 - 16 h 30 (HNE)

ou visitez notre site web à **www.whirlpoolappliances.ca**.

Nos consultants vous renseigneront sur les sujets suivants :

- Caractéristiques et spécifications sur toute notre gamme d'appareils électroménagers.
- Références aux marchands locaux.

Pour pièces, accessoires et service au Canada

Composer le **1-800-807-6777**. Les techniciens de service désignés par Whirlpool Canada LP sont formés pour remplir la garantie des produits et fournir un service après la garantie, partout au Canada.

Pour plus d'assistance

Si vous avez besoin de plus d'assistance, vous pouvez soumettre par écrit toute question ou préoccupation à Whirlpool Canada LP à l'adresse suivante :

Centre d'interaction avec la clientèle
Whirlpool Canada LP
1901 Minnesota Court
Mississauga, Ontario L5N 3A7

Veuillez inclure dans votre correspondance un numéro de téléphone où on peut vous joindre dans la journée.

GARANTIE DU CLIMATISEUR WHIRLPOOL®

GARANTIE COMPLÈTE DE CINQ ANS

Pendant cinq ans à partir de la date d'achat, lorsque ce climatiseur (à l'exclusion du filtre à air) est installé, utilisé et entretenu conformément aux instructions jointes à ou fournies avec le produit, Whirlpool Corporation ou Whirlpool Canada LP réparera ou remplacera le produit à sa discrétion pour rectifier les vices de matériaux ou de fabrication des commandes mécaniques ou électriques et du système de réfrigération scellé. Il s'agit des pièces suivantes : compresseur, évaporateur, condenseur, sècheuse-filtre et tube de raccord. Le service doit être fourni par une compagnie de service désignée par Whirlpool.

GARANTIE LIMITÉE DE 30 JOURS SUR LE FILTRE À AIR

Pendant 30 jours à compter de la date d'achat, lorsque ce climatiseur est utilisé et entretenu conformément aux instructions jointes à ou fournies avec le produit, Whirlpool Corporation ou Whirlpool Canada LP prendra en charge le remplacement du filtre à air pour rectifier les vices de matériaux ou de fabrication.

Whirlpool Corporation ou Whirlpool Canada LP ne paiera pas pour :

1. Les visites de service pour rectifier l'installation de votre climatiseur, donner des instructions concernant l'utilisation de votre climatiseur, remplacer des fusibles, rectifier le câblage, réenclencher les disjoncteurs ou nettoyer ou remplacer les filtres à air accessibles au propriétaire.
2. Les réparations lorsque votre climatiseur est utilisé autrement qu'en utilisation domestique normale, unifamiliale.
3. Les dommages causés par : accident, altération, mésusage, abus, incendie, inondation, actes de Dieu, installation incorrecte non conforme aux codes locaux d'électricité et de plomberie, ou utilisation de produits non approuvés par Whirlpool Corporation ou Whirlpool Canada LP.
4. Les pièces de rechange et les frais de main-d'œuvre de réparation pour les appareils utilisés en dehors des États-Unis ou du Canada.
5. Le ramassage et la livraison. Votre climatiseur est conçu pour être réparé à domicile.
6. Le déménagement ou la réinstallation de votre climatiseur si celui-ci est installé en hauteur ou dans un autre endroit inaccessible ou n'est pas installé conformément aux instructions d'installation publiées.
7. Les réparations aux pièces ou systèmes résultant d'une modification non autorisée faite à l'appareil.
8. Au Canada, les frais de déplacement ou de transport pour les clients qui habitent dans des régions éloignées.

WHIRLPOOL CORPORATION OU WHIRLPOOL CANADA LP N'ASSUME AUCUNE RESPONSABILITÉ POUR LES DOMMAGES FORTUITS OU INDIRECTS.

Certains États et certaines provinces ne permettent pas l'exclusion ou la limitation des dommages fortuits ou indirects de sorte que cette exclusion ou limitation peut ne pas être applicable dans votre cas. Cette garantie vous confère des droits juridiques spécifiques et vous pouvez également jouir d'autres droits qui peuvent varier d'un État à un autre ou d'une province à l'autre.

À l'extérieur des 50 États des États-Unis et du Canada, cette garantie ne s'applique pas. Contactez votre marchand Whirlpool autorisé pour savoir si une autre garantie s'applique.

Si vous avez besoin de service, consulter d'abord la section "Dépannage". On peut trouver de l'aide supplémentaire à la section "Assistance ou Service" ou en téléphonant à notre Centre pour l'eXpérience de la clientèle au **1-800-253-1301**, de n'importe où aux É.-U. ou en écrivant à : Whirlpool Corporation, Customer eXperience Center, 553 Benson Road, Benton Harbor, MI 49022-2692.

Pour le service au Canada, téléphoner au **1-800-807-6777**. Les techniciens de service désignés par Whirlpool Canada LP sont formés pour remplir la garantie des produits et fournir un service après la garantie partout au Canada. Si vous avez besoin de plus d'assistance, vous pouvez soumettre par écrit toute question ou préoccupation à Whirlpool Canada LP à l'adresse suivante : Centre d'interaction avec la clientèle, Whirlpool Canada LP, 1901 Minnesota Court, Mississauga, Ontario L5N 3A7. Veuillez inclure dans votre correspondance un numéro de téléphone où on peut vous joindre dans la journée.

11/04

Conservez cette garantie et votre reçu de vente ensemble pour référence ultérieure. Pour le service sous garantie, vous devez présenter un document prouvant la date d'achat ou d'installation.

Inscrivez les renseignements suivants au sujet de votre climatiseur pour mieux vous aider à obtenir assistance ou service en cas de besoin. Vous devez connaître le numéro de modèle et le numéro de série au complet.

Nom du marchand _____

Adresse _____

Numéro de téléphone _____

Numéro de modèle _____

Numéro de série _____

Date d'achat _____

1188178

© 2004 Whirlpool Corporation.
All rights reserved.

Todos los derechos reservados.
Tous droits réservés.

© Registered Trademark/TM Trademark of Whirlpool, U.S.A., Whirlpool Canada LP Licensee in Canada

© Marca registrada/TM Marca de comercio de Whirlpool, EE.UU., usada bajo licencia de Whirlpool Canada LP en Canadá

© Marque déposée/TM Marque de commerce de Whirlpool, U.S.A., emploi licencié par Whirlpool Canada LP au Canada

12/04
Printed in U.S.A.
Impreso en EE.UU.
Imprimé aux É.-U.

Free Manuals Download Website

<http://myh66.com>

<http://usermanuals.us>

<http://www.somanuals.com>

<http://www.4manuals.cc>

<http://www.manual-lib.com>

<http://www.404manual.com>

<http://www.luxmanual.com>

<http://aubethermostatmanual.com>

Golf course search by state

<http://golfingnear.com>

Email search by domain

<http://emailbydomain.com>

Auto manuals search

<http://auto.somanuals.com>

TV manuals search

<http://tv.somanuals.com>