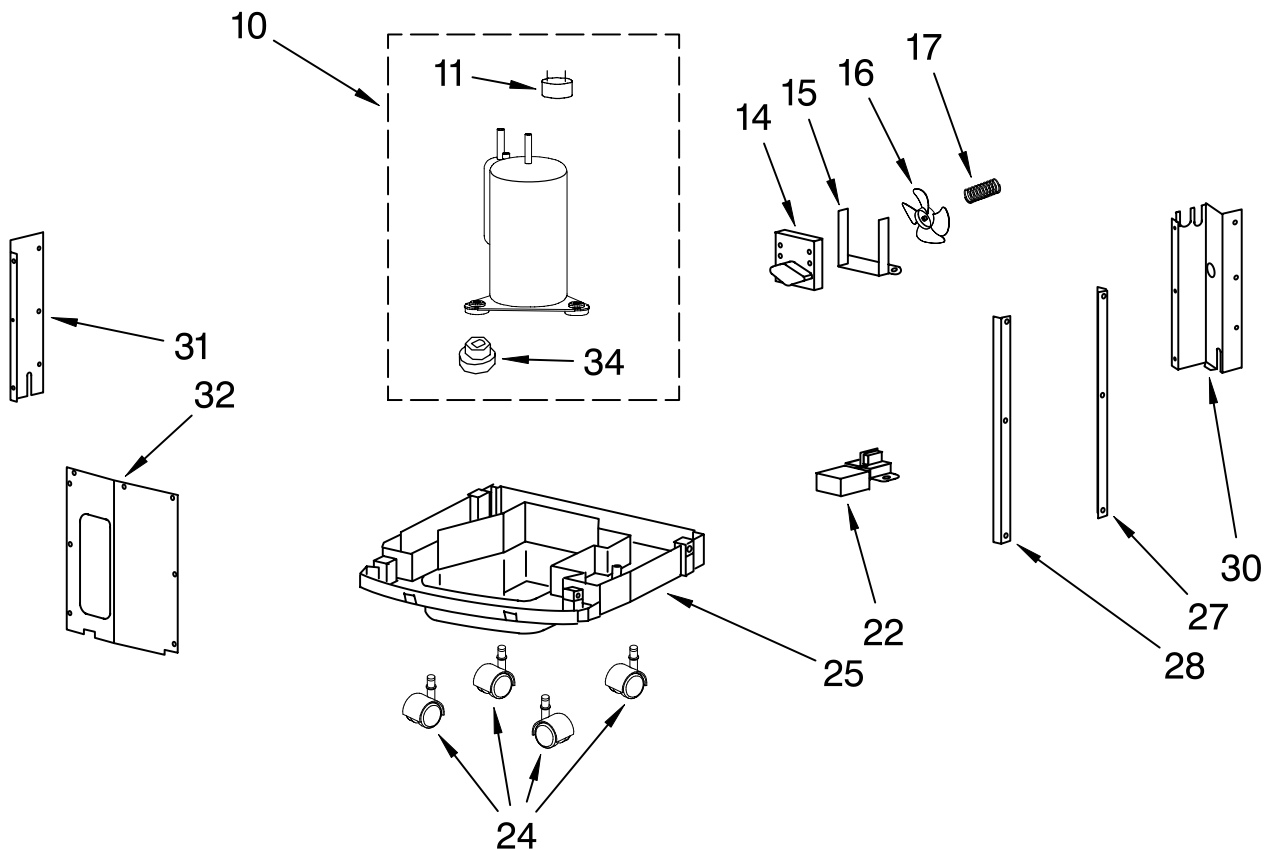
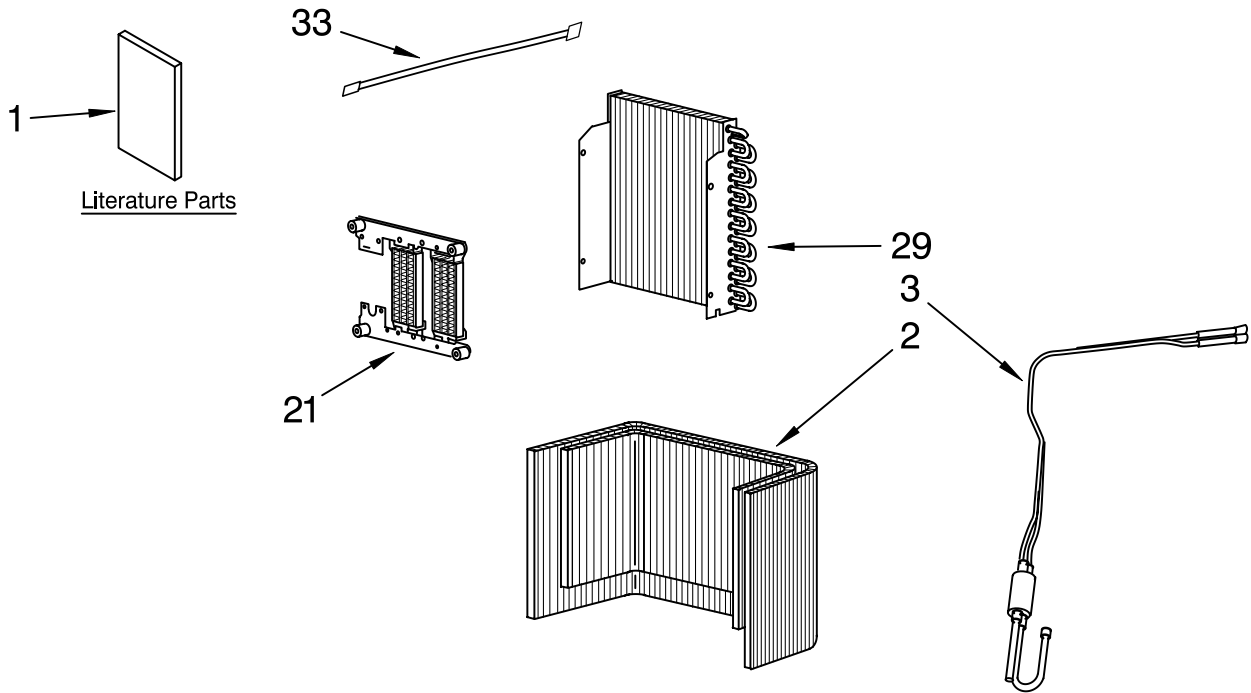




UNIT PARTS

For Model: ACPE102PS2

PORTABLE
AIR CONDITIONER
HEAT/COOL



FOR ORDERING INFORMATION REFER TO PARTS PRICE LIST

UNIT PARTS

For Model: ACPE102PS2

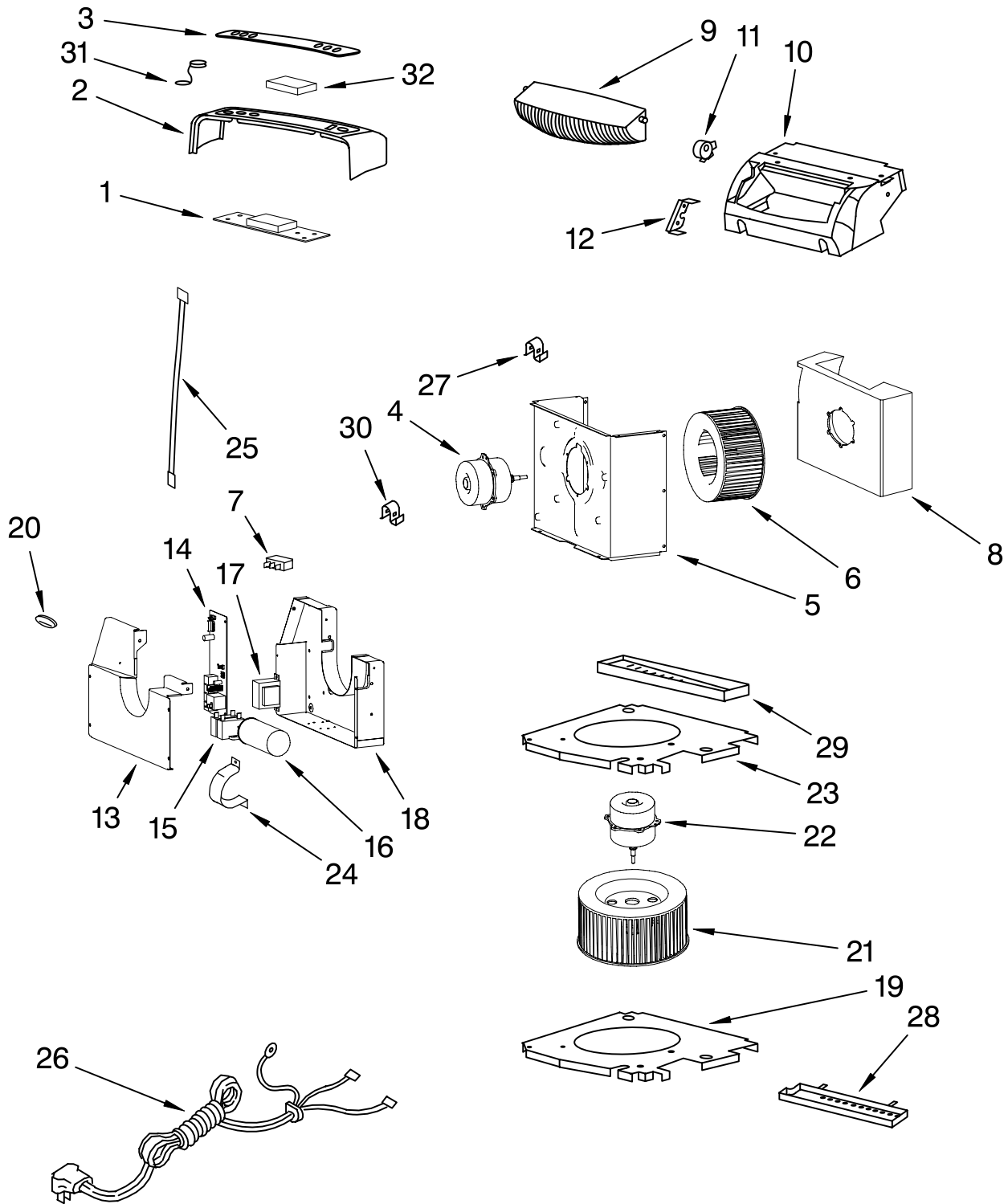
| Illus. No. | Part No. | DESCRIPTION |
|-------------------|-----------------|-----------------------------|
| 1 | | Literature Parts |
| | 8215247 | Guide, Use & Care |
| | 8215248 | Diagram, Wiring |
| 2 | 8215210 | Condenser |
| 3 | 8215225 | Tube Restrictor Assembly |
| 10 | 8215197 | Compressor, Assembly |
| 11 | 8215198 | Overload |
| 14 | 8215206 | Motor, Fan |
| 15 | 8215207 | Base, Motor |
| 16 | 8215208 | Fan |
| 17 | 8215209 | Spring |
| 21 | 8215217 | Heater Assembly |
| 22 | 8215204 | Switch, Level |
| 24 | 8215200 | Roller |
| 25 | 8215203 | Base |
| 27 | | Support, Back |
| | 8215205 | Right |
| | 8215202 | Left |
| 28 | | Support, Front |
| | 8215201 | Right |
| | 8215196 | Left |
| 29 | 8215218 | Evaporator |
| 30 | 8215195 | Support (Right) |
| 31 | 8215193 | Support (Left) |
| 32 | 8215194 | Support (Front) |
| 33 | 8215219 | Thermistor |
| 34 | 8215199 | Grommet |

REFRIGERANT CHARGE

21.6 oz.

AIRFLOW AND CONTROL PARTS

For Model: ACPE102PS2



FOR ORDERING INFORMATION REFER TO PARTS PRICE LIST

AIR FLOW AND CONTROL PARTS

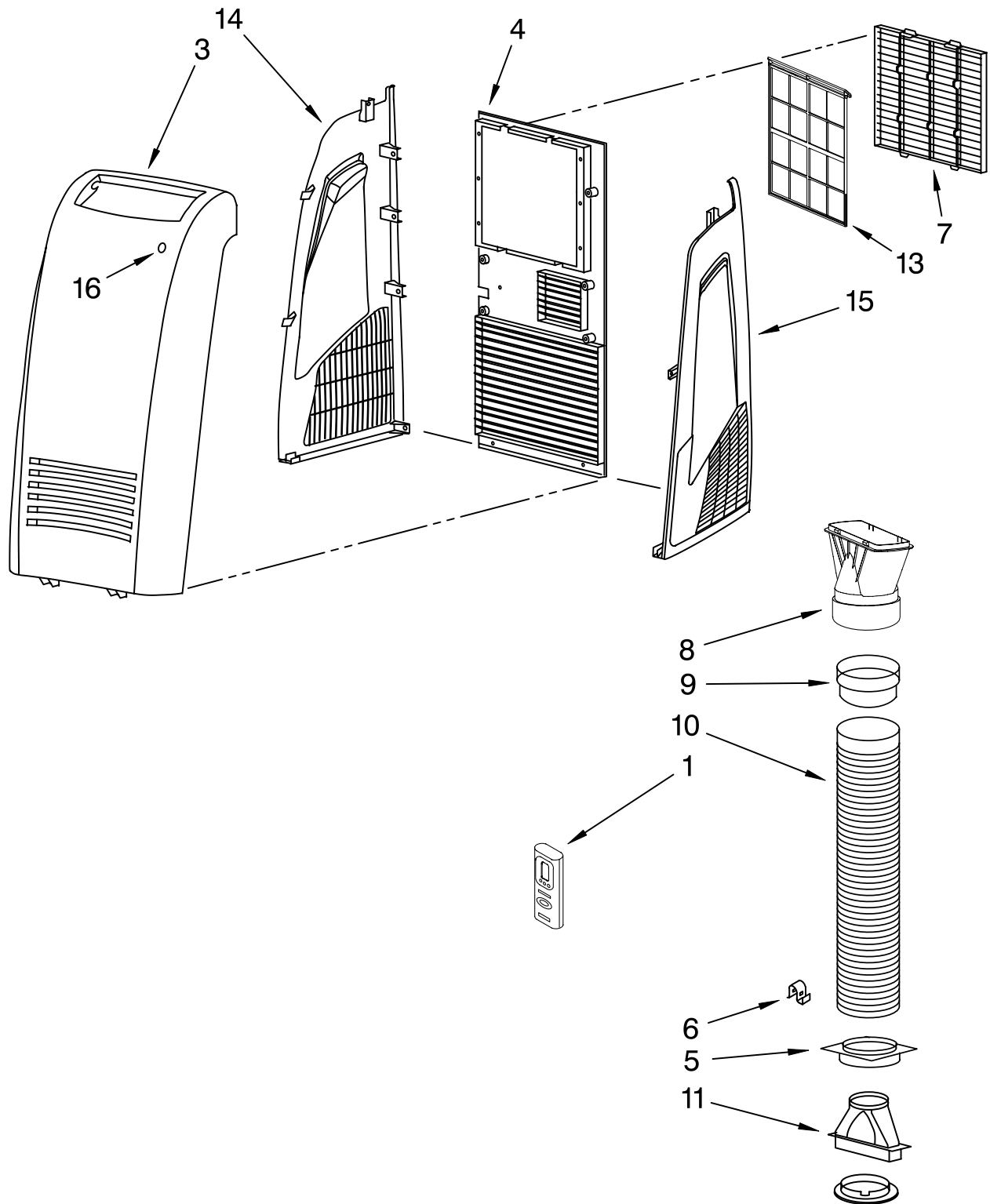
For Model: ACPE102PS2

| Illus. No. | Part No. | DESCRIPTION |
|-------------------|-----------------|----------------------------|
| 1 | 8215169 | PC-Board, Control |
| 2 | 8215087 | LCD Cover |
| 3 | 8215168 | Overlay |
| 4 | 8215177 | Motor, Upper |
| 5 | 8215176 | Plate, Motor |
| 6 | 8215173 | Wheel Blower, Upper |
| 7 | 8215089 | Board, Terminal |
| 8 | 8215174 | Housing, Air |
| 9 | 8215179 | Louver Assembly |
| 10 | 8215170 | Base, Louver |
| 11 | 8215171 | Motor, Louver |
| 12 | 8215172 | Bracket, Motor |
| 13 | 8215188 | Cover, Control Box |
| 14 | 8215181 | PC-Board, Power |
| 15 | | Capacitor, Fan |
| | 8215183 | Motor (Upper) |
| | 8215184 | Motor (Lower) |
| 16 | 8215182 | Capacitor, Compressor |
| 17 | 8209806 | Transformer |
| 18 | 8215180 | Box, Control |
| 19 | 8215191 | Insulation Plate Lower |
| 20 | 8215189 | Receiver Board |
| 21 | 8215215 | Wheel Blower, Lower |
| 22 | 8215214 | Motor, Lower |
| 23 | 8215213 | Insulation Plate Middle |
| 24 | 8215186 | Bracket, Capacitor |
| 25 | 8215220 | Thermistor |
| 26 | 8215270 | Cord-Power |
| 27 | 8215175 | Clip |
| 28 | 8215192 | Pan, Drain |
| 29 | 8215216 | Pan, Drain |
| 30 | 8215221 | Clip |
| 31 | 8215088 | Cover, Screw |
| 32 | 8215156 | Display Window |

FOR ORDERING INFORMATION REFER TO PARTS PRICE LIST

CABINET PARTS

For Model: ACPE102PS2



FOR ORDERING INFORMATION REFER TO PARTS PRICE LIST

CABINET PARTS

For Model: ACPE102PS2

| Illus. No. | Part No. | DESCRIPTION |
|-------------------|-----------------|------------------------|
| 1 | 8215231 | Control, Remote |
| 3 | 8215190 | Panel, Front |
| 4 | 8215212 | Panel, Rear |
| 5 | 8215229 | Connector |
| 6 | 8215223 | Clip |
| 7 | 8215224 | Grille, Air |
| 8 | 8215185 | Connector, Square |
| 9 | 8215228 | Connector |
| 10 | 8215227 | Exhaust Tube |
| 11 | 8215230 | Connector Square |
| 13 | 8215222 | Filter |
| 14 | 8215178 | Left Panel |
| 15 | 8215211 | Right Panel |
| 16 | 8215187 | Window, Remote Control |

FOLLOWING PARTS NOT ILLUSTRATED

8215258 Plug, Drain Hose
8215259 Clamp, Drain Hose
8215261 Drain Hose
8215251 Window Slider Kit
8215260 Clip, Drain Hose
8209726 Screw
8215231 Remote

Free Manuals Download Website

<http://myh66.com>

<http://usermanuals.us>

<http://www.somanuals.com>

<http://www.4manuals.cc>

<http://www.manual-lib.com>

<http://www.404manual.com>

<http://www.luxmanual.com>

<http://aubethermostatmanual.com>

Golf course search by state

<http://golfingnear.com>

Email search by domain

<http://emailbydomain.com>

Auto manuals search

<http://auto.somanuals.com>

TV manuals search

<http://tv.somanuals.com>