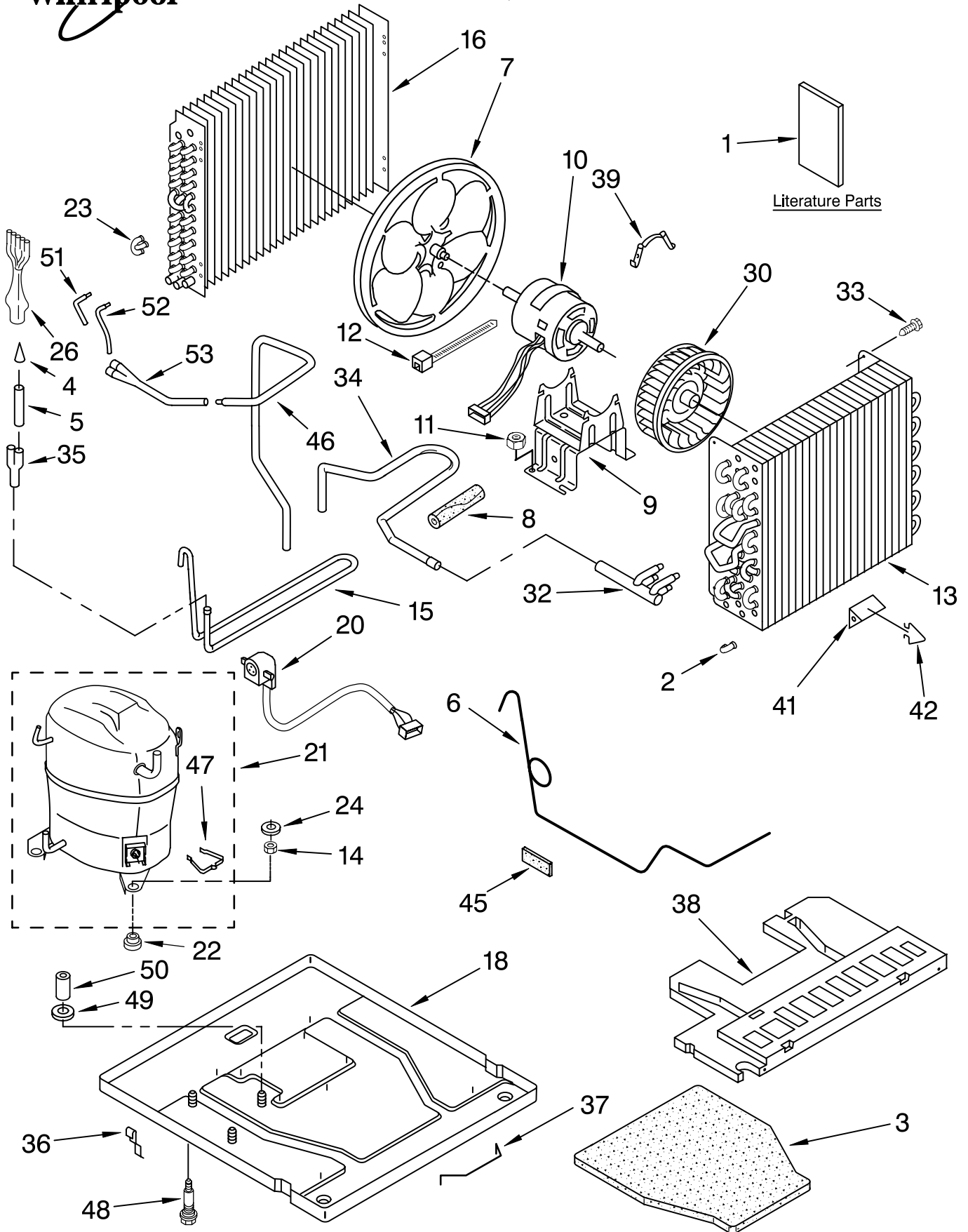




UNIT PARTS

For Model: ACQ304XS0

AIR CONDITIONER



FOR ORDERING INFORMATION REFER TO PARTS PRICE LIST

UNIT PARTS

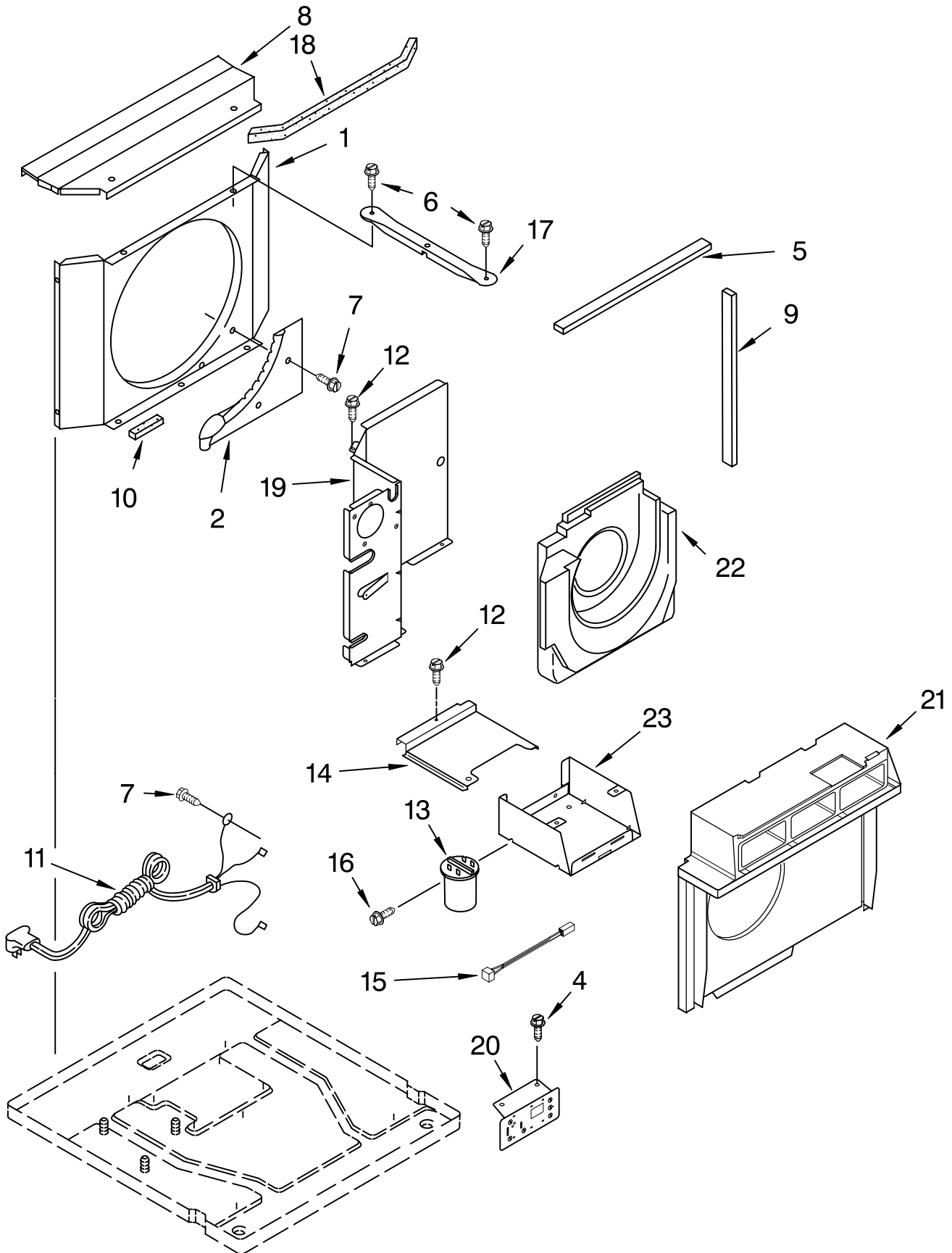
For Model: ACQ304XS0

| Illus. No. | Part No. | DESCRIPTION | Illus. No. | Part No. | DESCRIPTION | Illus. No. | Part No. | DESCRIPTION |
|------------|----------|----------------------------------|------------|----------|----------------------------|------------|----------|---|
| 1 | | Literature Parts | 15 | 1185519 | Wet, Loop | 38 | 1185843 | Pan, Drain |
| | 1188127 | Use & Care Guide | 16 | 1185738 | Condenser | 39 | 1157015 | Clip, Motor (2) |
| | 1188126 | Wiring Diagram | 18 | 1185846 | Base | 41 | 1185173 | Anticipator |
| | 1188642 | Energy Guide | 20 | 1186572 | Harness, Wiring | 42 | 475577 | Clip, Anticipator |
| 2 | 855199 | Bend, Return | | | Compressor | 45 | 1163759 | Seal, Restrictor |
| 3 | 1167085 | Insulation, Base (Bottom) | 21 | 1184620 | Compressor | | | Tube |
| 4 | 49599 | Strainer, Tube | 22 | 1165973 | Grommet (3) | 46 | 1164476 | Tube, Discharge |
| 5 | 1163768 | Tube, Outlet (Includes Illus. 4) | 23 | 1158685 | Return Bend, 3-Way | 47 | 1161083 | Retainer, Cover |
| 6 | 1186077 | Tube, Restrictor (4) | 24 | 3934662 | Locknut (3) | 48 | 1165674 | Bolt, Compressor |
| 7 | 1158665 | Blade, Fan (Condenser) | 26 | 1185986 | Distributor (Bottom) | 49 | 1160654 | Spacer, Grommet |
| 8 | 1186425 | Seal, Suction Tube | 30 | 1185543 | Wheel, Blower (Evaporator) | 50 | 1160655 | Sleeve, Mounting |
| 9 | 1160672 | Bracket, Fan Motor | 32 | 1186089 | Manifold, Suction | 51 | 1186185 | Tube, Feeder |
| 10 | 1188487 | Motor, Fan | 33 | 488480 | Screw, 8-15 x .500 | 52 | 1186184 | Tube, Feeder |
| 11 | 488130 | Nut | 34 | 1186426 | Tube, Suction | 53 | 1186090 | Tube, Discharge Top Assembly (Includes 51 & 52) |
| 12 | 1159130 | Tie, Cable | 35 | 947364 | Tube, Flow Divider | | | |
| 13 | 1185744 | Evaporator | 36 | 471088 | Clamp (2) | | | |
| 14 | 1160880 | Washer | 37 | 647971 | Handle, Base | | | |
| | | | | | | | | REFRIGERANT CHARGE |
| | | | | | | | | 56.00 oz. |

FOR ORDERING INFORMATION REFER TO PARTS PRICE LIST

AIRFLOW AND CONTROL PARTS

For Model: ACQ304XS0



FOR ORDERING INFORMATION REFER TO PARTS PRICE LIST

AIRFLOW AND CONTROL PARTS

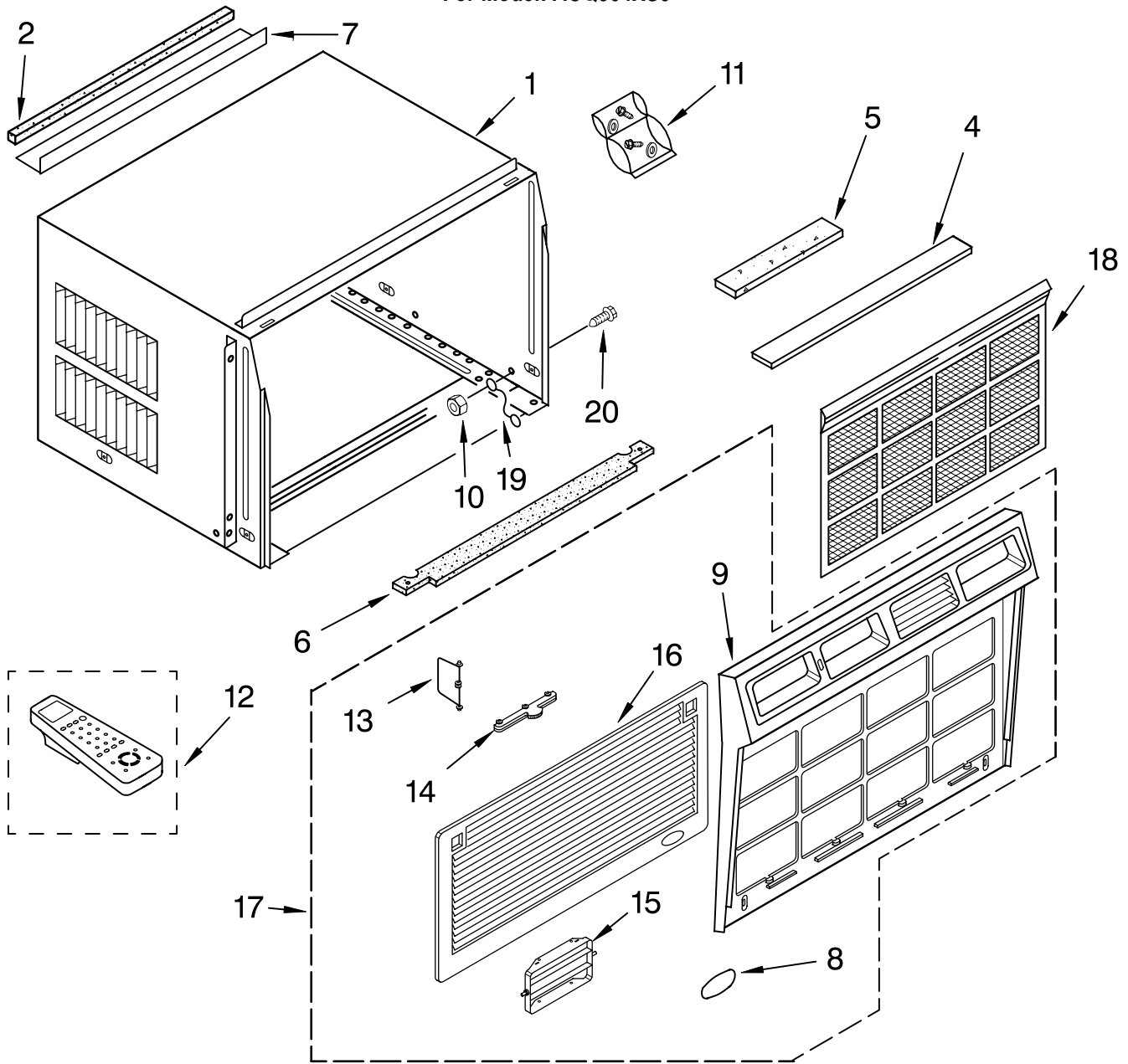
For Model: ACQ304XS0

| Illus. No. | Part No. | DESCRIPTION |
|-----------------------|---------------------|--------------------------------|
| 1 | 1157403 | Shroud, Condenser |
| 2 | 1160684 | Cup, Condensate |
| 4 | 1159222 | Screw (2) |
| 5 | 1185513 | Seal (Top) |
| 6 | 488720 | Screw #10 x 1/2 |
| 7 | 488480 | Screw #8-1/2 |
| 8 | 1157407 | Top, Condenser |
| 9 | 1185911 | Seal (Side) |
| 10 | 1163332 | Seal, Cup |
| 11 | 1187856 | Cord, Appliance |
| 12 | 488624 | Screw, 8-15 x .375 |
| 13 | 1186507 | Capacitor |
| 14 | 1186664 | Cover, Control Box |
| 15 | 1188387 | Thermistor |
| 16 | 1157158 | Screw, 8-18 x .375 |
| 17 | 1166169 | Support, Unit (2) |
| 18 | 1158732 | Seal, Shroud |
| 19 | 1185505 | Dividing Wall |
| 20 | 1187928 | Control, Electronic |
| 21 | 1187338 | Shroud Assembly, Evaporator |
| 22 | 1187340 | Housing, Air |
| 23 | 1187820 | Control Box |

FOR ORDERING INFORMATION REFER TO PARTS PRICE LIST

CABINET PARTS

For Model: ACQ304XS0



| Illus. No. | Part No. | DESCRIPTION |
|------------|----------|----------------------|
| 1 | 1185518 | Cabinet |
| 2 | 469877 | Gasket, Meeting Rail |
| 4 | 1187359 | Seal, Front (Large) |
| 5 | 1181735 | Seal, Front (Small) |
| 6 | 1160768 | Seal |
| 7 | 1168490 | Angle, Top Mounting |

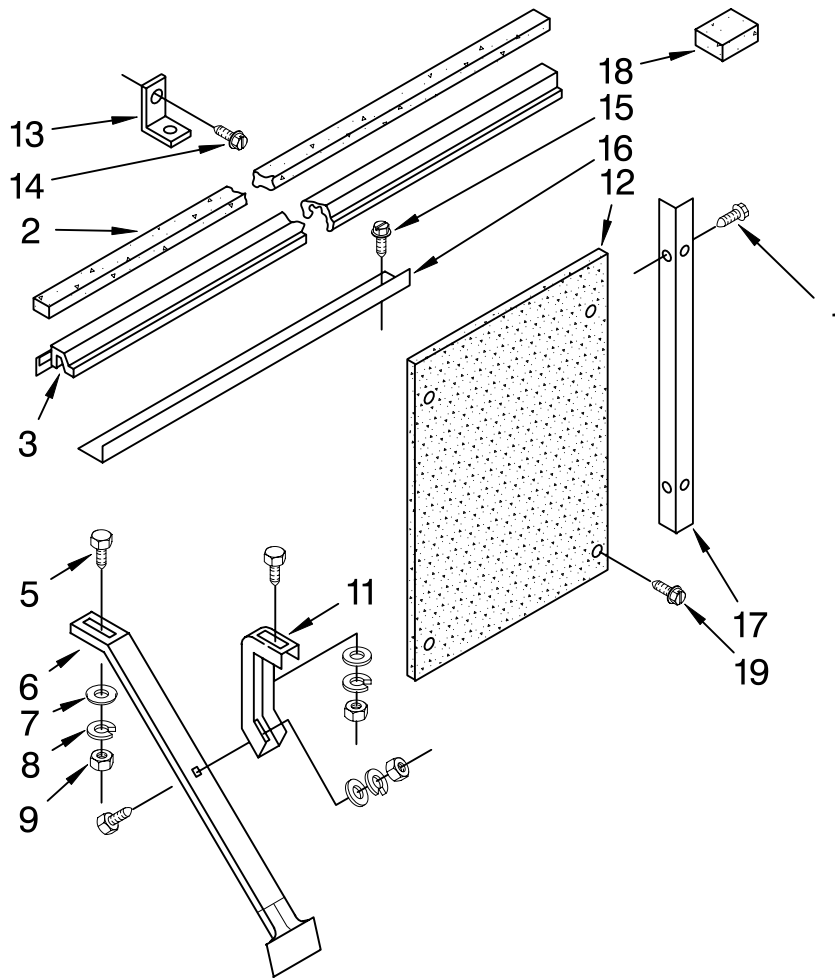
| Illus. No. | Part No. | DESCRIPTION |
|------------|----------|------------------|
| 8 | 1187171 | Nameplate |
| 9 | 1188275 | Frame, Front |
| 10 | 486529 | Nut, Hex 8-32 |
| 11 | 1186155 | Bag, Accessory |
| 12 | 1186156 | Control, Remote |
| 13 | 1185541 | Louver, Verticle |

| Illus. No. | Part No. | DESCRIPTION |
|------------|----------|---------------------------|
| 14 | 8011106 | Link, Verticle Louver (2) |
| 15 | 1185540 | Cartridge |
| 16 | 1187336 | Door, Filter |
| 17 | 1188276 | Front, Complete |
| 18 | 1185523 | Filter |
| 19 | 1186627 | Wire, Ground |
| 20 | 488234 | Screw, 8-32 x 1/4 |

FOR ORDERING INFORMATION REFER TO PARTS PRICE LIST

INSTALLATION PARTS

For Model: ACQ304XS0



| Illus. No. | Part No. | DESCRIPTION |
|------------|----------|----------------------|
| 1 | 1159222 | Screw (4) |
| 2 | 469877 | Seal, Meeting Rail |
| 3 | 1166388 | Gasket, Sash |
| 5 | 488750 | Bolt, 1/4 x 3/4 (6) |
| 6 | 1185549 | Support, Cabinet (2) |
| 7 | 488808 | Washer (6) |

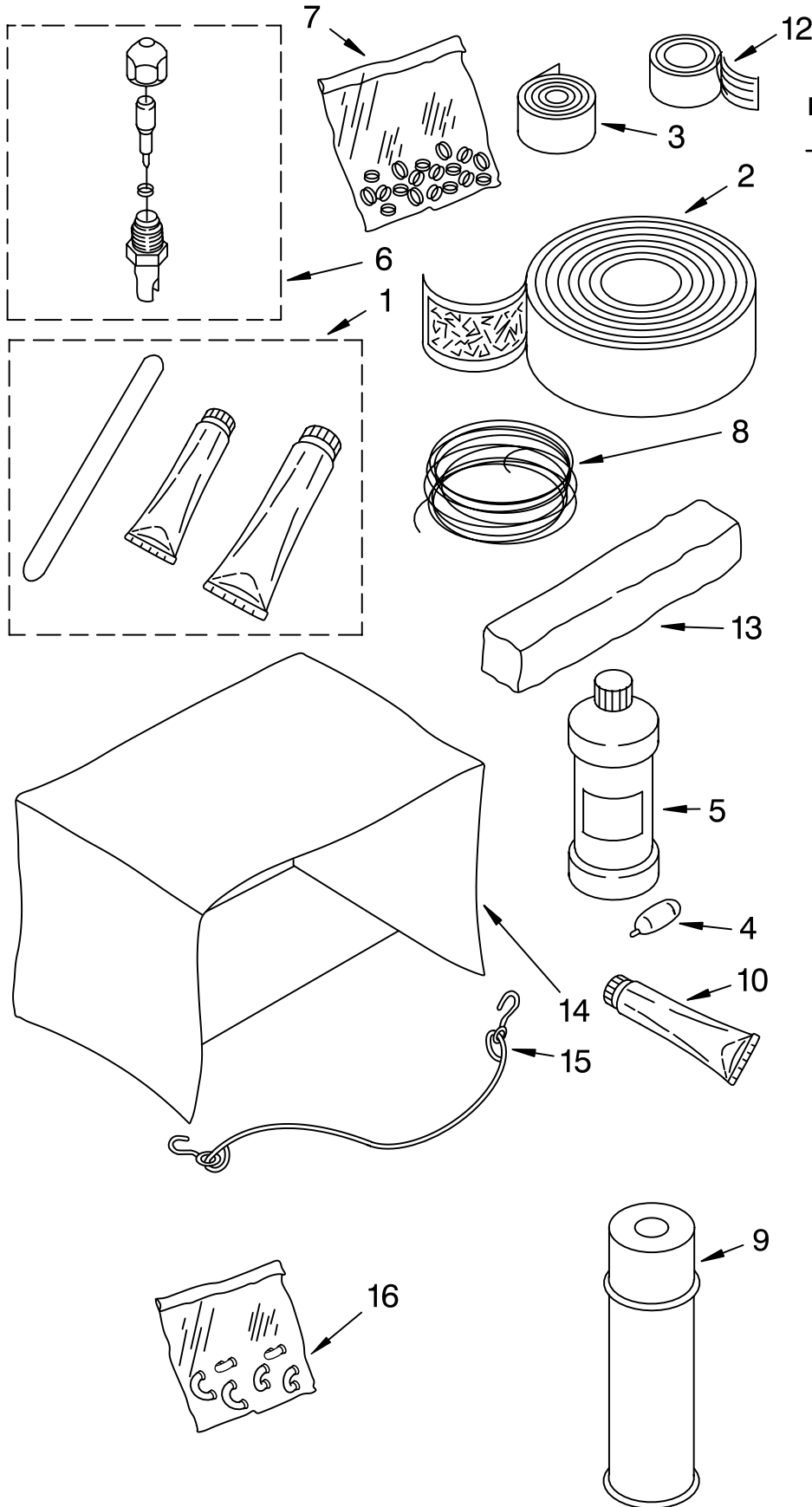
| Illus. No. | Part No. | DESCRIPTION |
|------------|----------|-----------------------|
| 8 | 486009 | Lockwasher (6) |
| 9 | 486035 | Nut, Hex (6) |
| 11 | 1168474 | Support, Retainer (2) |
| 12 | 1168473 | Board, Filler |
| 13 | 644228 | Bracket |

| Illus. No. | Part No. | DESCRIPTION |
|------------|----------|------------------------------------|
| 14 | 487371 | Screw (Window Lock Bracket) |
| 15 | 1157158 | Screw (Top Angles to Cabinet) |
| 16 | 1168490 | Angle (Top) |
| 17 | 1168472 | Angle (2) |
| 18 | 995274 | Spacer, Block (4) |
| 19 | 1166265 | Screw (Side Angle to Filler Board) |

FOR ORDERING INFORMATION REFER TO PARTS PRICE LIST

OPTIONAL PARTS (NOT INCLUDED)

For Model: ACQ304XS0



| Illus. No. | Part No. | DESCRIPTION |
|------------|------------|-------------------------------------|
| 1 | 799833 | Epoxy, Tube (Aluminum Repair) |
| 2 | 505168 | Tape, No Drip 30' |
| 3 | 479502 | Tape, Vinyl 36' |
| 4 | 10943 | Oil, Turbine 1 Oz. |
| 5 | 99243 | Oil, Turbine 8 Oz. |
| 6 | | Valve, Access |
| | 876764 | 3/16" Tube O.D. |
| | 978025 | 1/4" Tube O.D. |
| | 978026 | 5/16" Tube O.D. |
| | 978027 | 3/8" Tube O.D. |
| | 978028 | 1/2" Tube O.D. |
| | 978029 | 5/8" Tube O.D. |
| | 978030 | 3/4" Tube O.D. |
| 7 | 978865BULK | Seal, Ring Access Valve (20-Pack) |
| 8 | | Wire, 25' Roll |
| | 242820 | Black 14 Ga. |
| | 242825 | Red 14 Ga. |
| | 47261 | Black 12 Ga. |
| | 299885 | Red 12 Ga. |
| | 47263 | White 12 Ga. |
| 9 | 813684 | Adhesive, Insulation (24 Oz. Spray) |
| 10 | 279368 | Adhesive, Insulation (2 Oz. Tube) |
| 12 | 212643 | Sealer, Permagem 4-1" Strips |
| 13 | 99344 | Sealer, Permagem 1 Lb. Bar |
| 14 | | Cover, Winter |
| | 484066 | 28"x19"x31" |
| | 484067 | 19"x12"x14" |
| | 484069 | 27"x19"x6 to 27" |
| | 484184 | 22"x15"x3 to 18" |
| 15 | 813610 | Retainer, Cord (Winter Cover) |
| 16 | | Return Bend Replacement Kit |
| | 4388784 | (5/16 Inch Tube) |
| | 4388785 | (3/8 Inch Tube) |

FOR ORDERING INFORMATION REFER TO PARTS PRICE LIST

Free Manuals Download Website

<http://myh66.com>

<http://usermanuals.us>

<http://www.somanuals.com>

<http://www.4manuals.cc>

<http://www.manual-lib.com>

<http://www.404manual.com>

<http://www.luxmanual.com>

<http://aubethermostatmanual.com>

Golf course search by state

<http://golfingnear.com>

Email search by domain

<http://emailbydomain.com>

Auto manuals search

<http://auto.somanuals.com>

TV manuals search

<http://tv.somanuals.com>