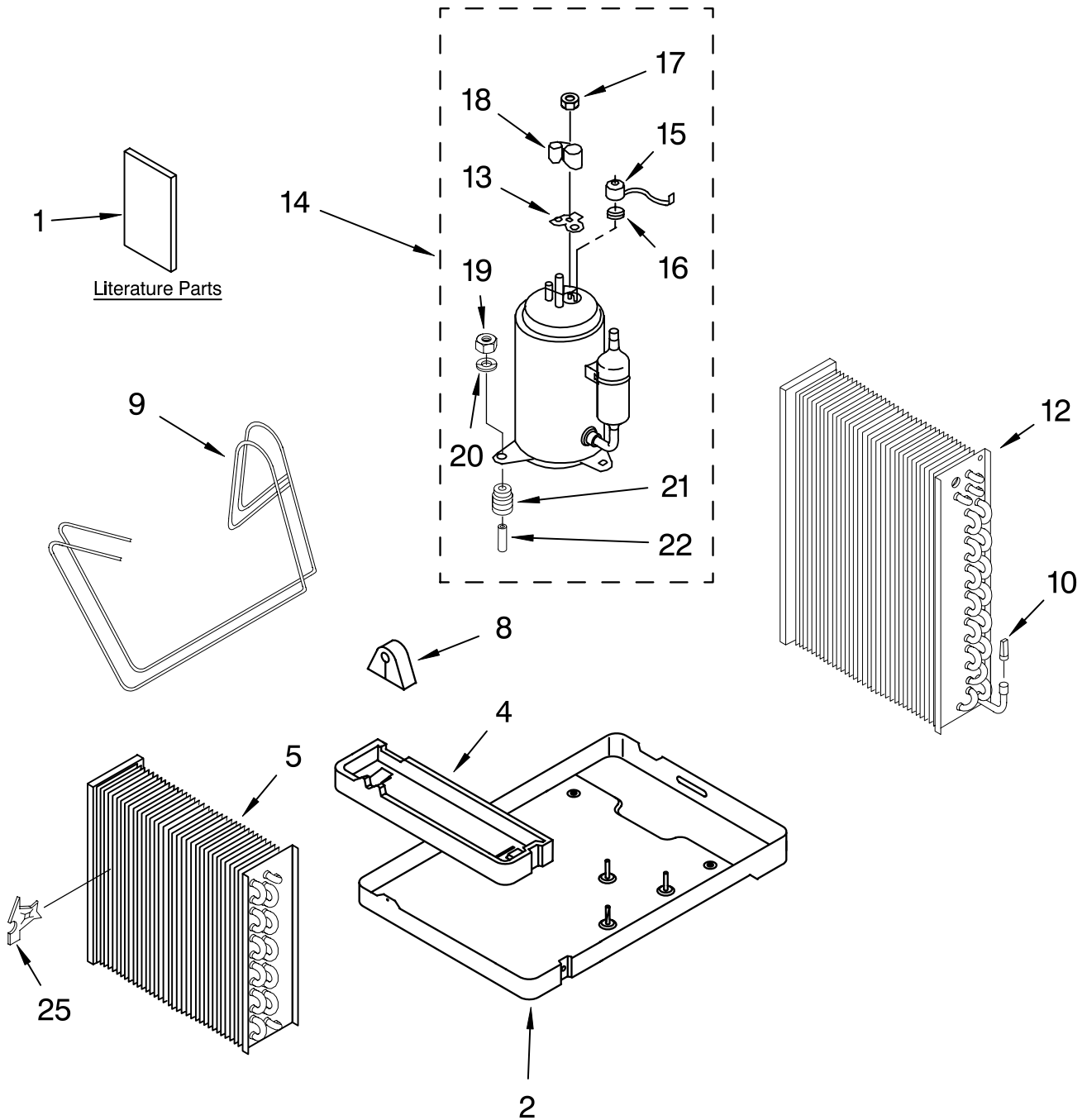




UNIT PARTS

For Model: ACS082PP0

AIR CONDITIONER



FOR ORDERING INFORMATION REFER TO PARTS PRICE LIST

UNIT PARTS

For Model: ACS082PP0

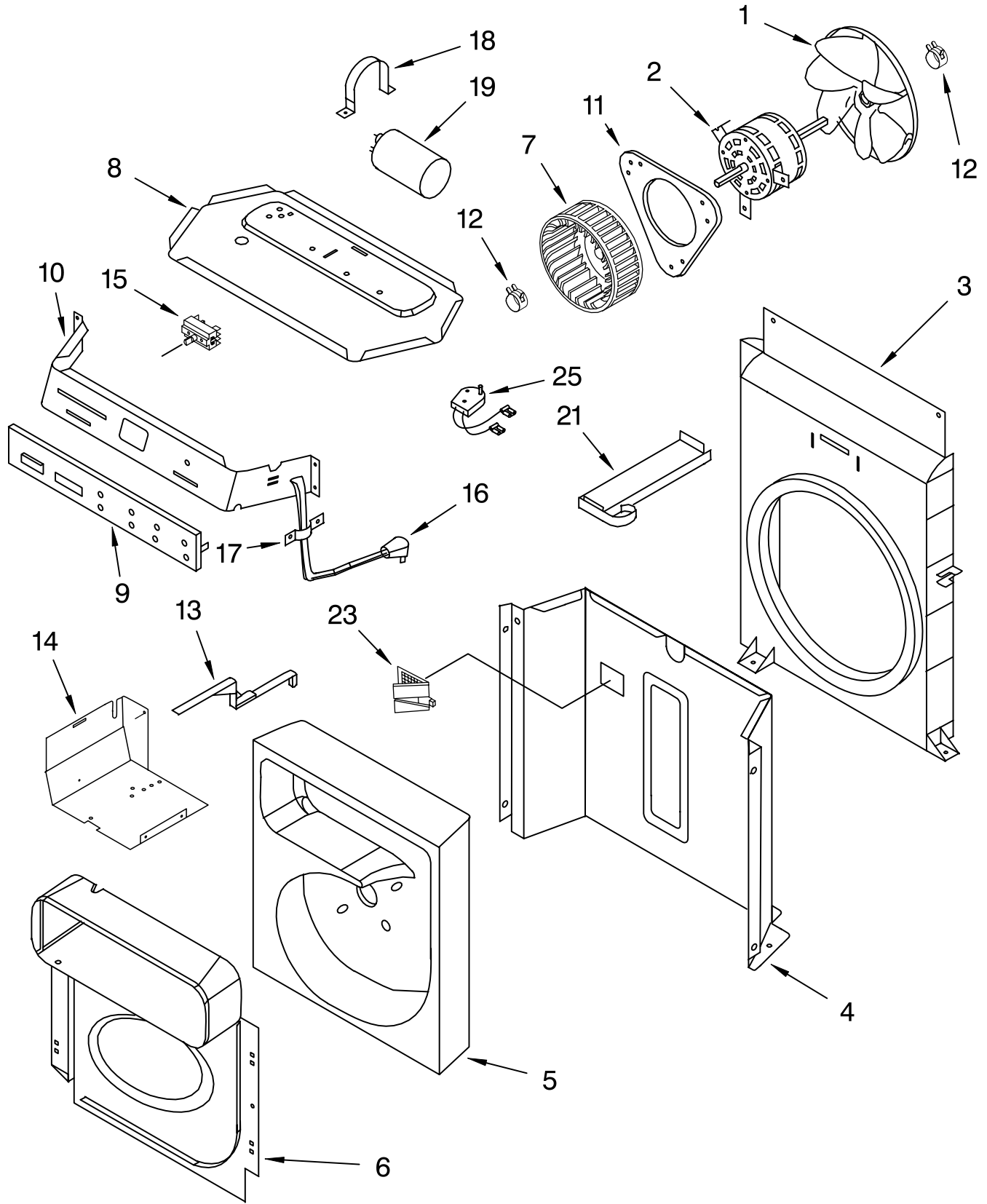
Illus. No.	Part No.	DESCRIPTION
1	LIT8199568	Literature Parts Use and Care Guide
2	8199556	Base
4	789778	Pan, Drain (Evaporator)
5	8199529	Evaporator
8	789755	Grommet, Tube
9	789729	Tube, Restrictor .036 I.D. x 18"
10	789673	Strainer
12	8199527	Condenser
13	789831	Gasket, Terminal Cover
14	8199575	Compressor
15	789829	Overload
16	789830	Spring, Overload
17	789833	Nut, Terminal Cover
18	789832	Cover, Terminal
19	789661	Nut
20	789784	Washer
21	789827	Grommet
22	789783	Sleeve
25	8199539	Clip, Thermistor

REFRIGERANT CHARGE

15.00 oz.

AIRFLOW AND CONTROL PARTS

For Model: ACS082PP0



FOR ORDERING INFORMATION REFER TO PARTS PRICE LIST

AIR FLOW AND CONTROL PARTS

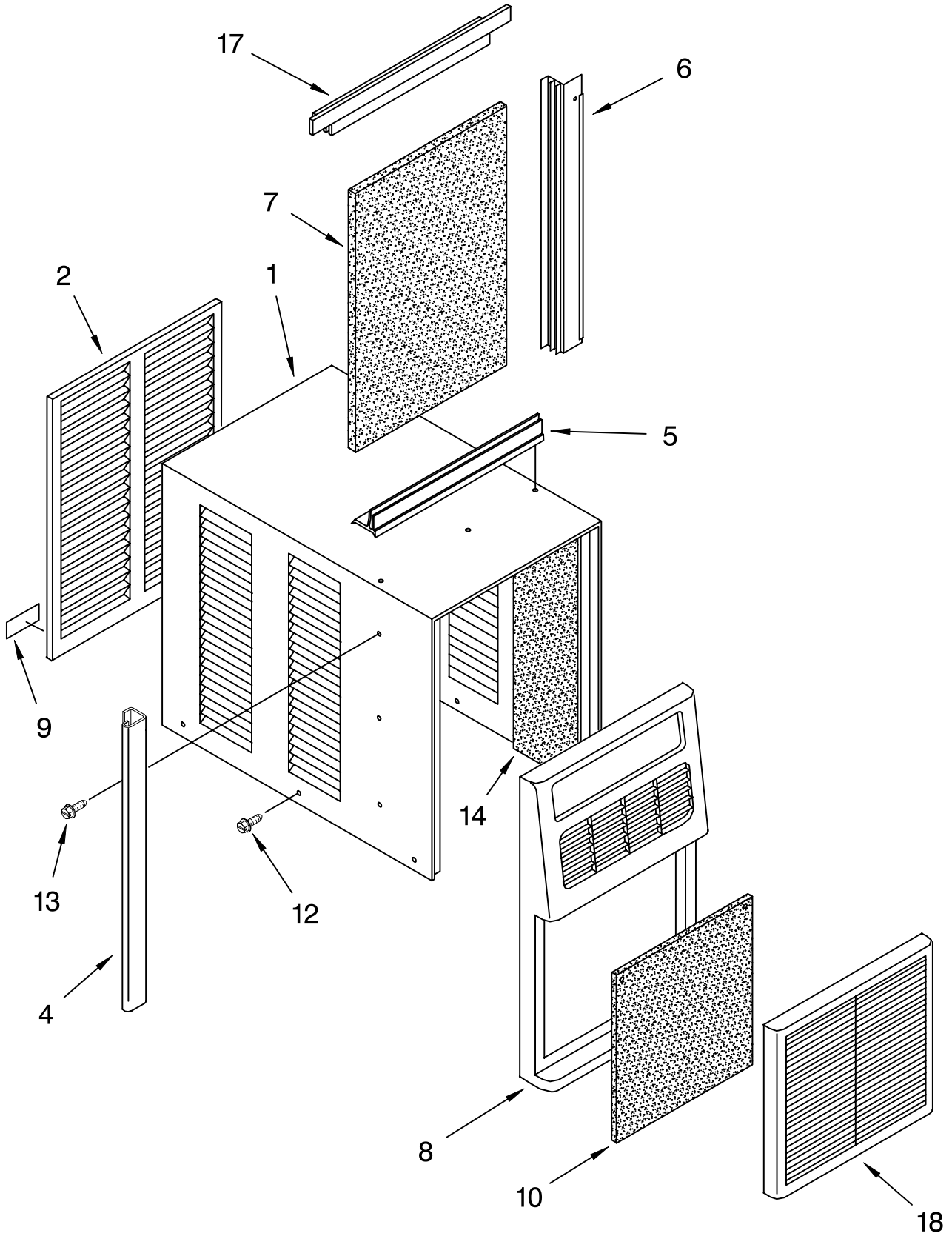
For Model: ACS082PP0

Illus. No.	Part No.	DESCRIPTION
1	789834	Blade, Fan
2	789837	Motor, Fan
3	789836	Shroud, Condenser
4	789794	Wall, Dividing
5	8199633	Housing, Blower
6	789796	Shroud, Evaporator (Includes Insul.)
7	789838	Wheel, Blower
8		Panel, Control (Not Serviceable)
9	8199634	Touch Pad Assembly
10	8199572	Panel, Control
11	789772	Plate, Motor Mounting
12	789835	Clamp
13	789917	Actuator, Exhaust Door
14	8199591	Control, Remote
15	8199574	Transformer
16	8199638	Cord, Power
17	789806	Relief, Strain
18	789749	Strap, Capacitor
19	8199570	Capacitor
21	789807	Support, Unit
23	789907	Door, Exhaust
25	789801	Assist, Start

FOR ORDERING INFORMATION REFER TO PARTS PRICE LIST

CABINET PARTS

For Model: ACS082PP0



FOR ORDERING INFORMATION REFER TO PARTS PRICE LIST

CABINET PARTS

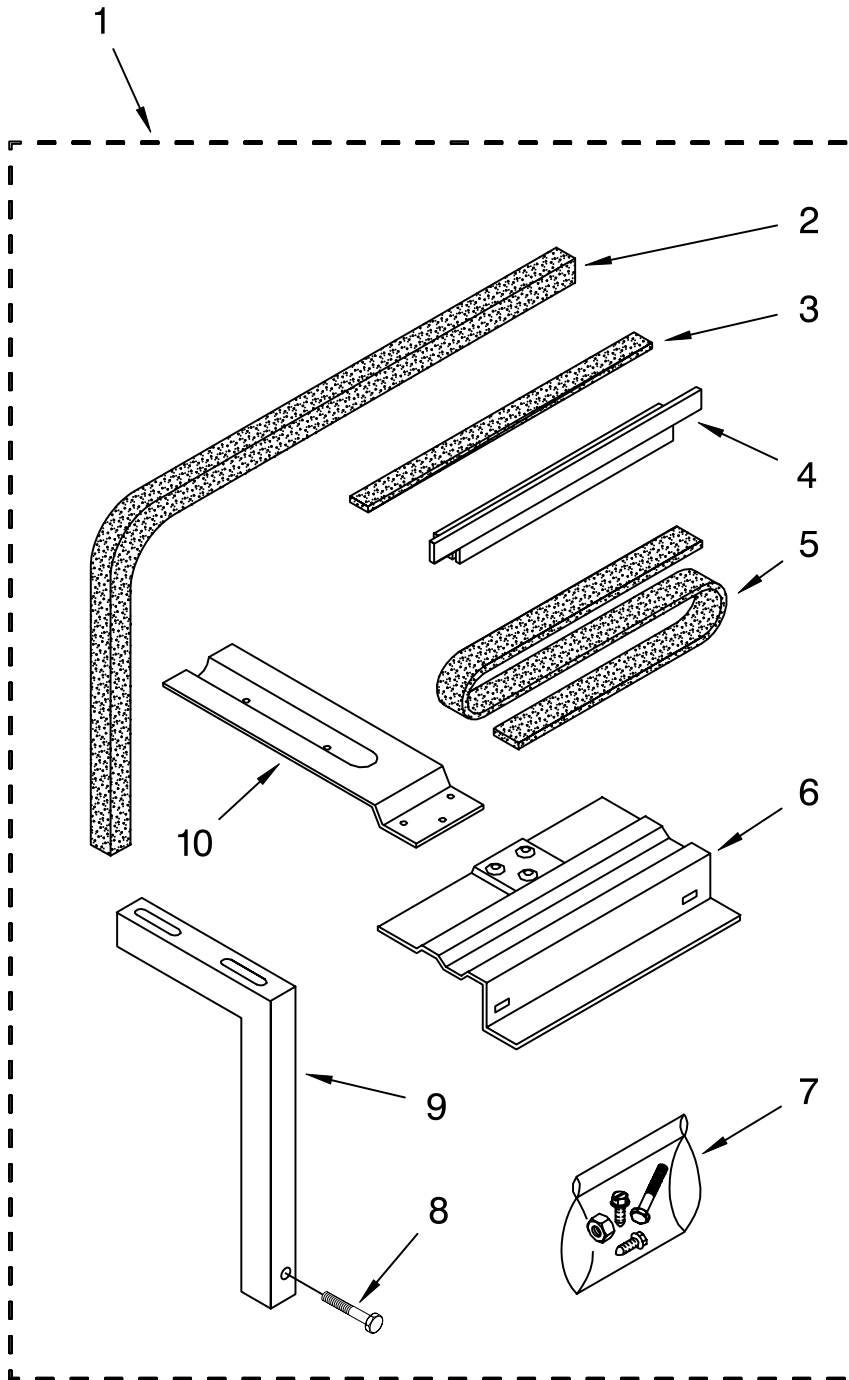
For Model: ACS082PP0

Illus. No.	Part No.	DESCRIPTION
1	8199566	Cabinet Assembly (Includes Insulation and Nos. 2 and 5)
2	8199567	Panel, Rear
4	789961	Retainer, Side (Cabinet)(2)
5	789962	Retainer, Top (Cabinet)
6	789963	Retainer, Panel (Side)(2)
7	789817	Panel, Filler
8	8199564	Front Assembly (Includes Item 18)
9	789925	Nameplate
10	789809	Filter, Air
12	3148443	Screw #8 x 1/4 Hex
13	4389654	Screw #8 x 3/8 Hex
14		Insulation, Cab. 789747 (Top) 789746 (Side)(2 Required)
17	789964	Retainer, Filler Board (Top)
18	8199565	Insert, Front

FOR ORDERING INFORMATION REFER TO PARTS PRICE LIST

INSTALLATION PARTS

For Model: ACS082PP0



Illus. No.	Part No.	DESCRIPTION
1	789687	Kit, Installation
2	789692	Seal, Meeting Rail
3	789745	Seal, Strip
4	789688	Retainer, Filler Panel (Top) (Not Serviced Separately)
5	789744	Seal, Strip
6		Plate, Sill (Not Serviced Separate)
7		Hardware (Not Serviced Separate)
8		Bolt, Leveling 3/8-16 x 2.5"
9		Angle, Support (Not Serviced Separately)
10		Platform, Support (Not Serviced Separately)

FOR ORDERING INFORMATION REFER TO PARTS PRICE LIST

Free Manuals Download Website

<http://myh66.com>

<http://usermanuals.us>

<http://www.somanuals.com>

<http://www.4manuals.cc>

<http://www.manual-lib.com>

<http://www.404manual.com>

<http://www.luxmanual.com>

<http://aubethermostatmanual.com>

Golf course search by state

<http://golfingnear.com>

Email search by domain

<http://emailbydomain.com>

Auto manuals search

<http://auto.somanuals.com>

TV manuals search

<http://tv.somanuals.com>