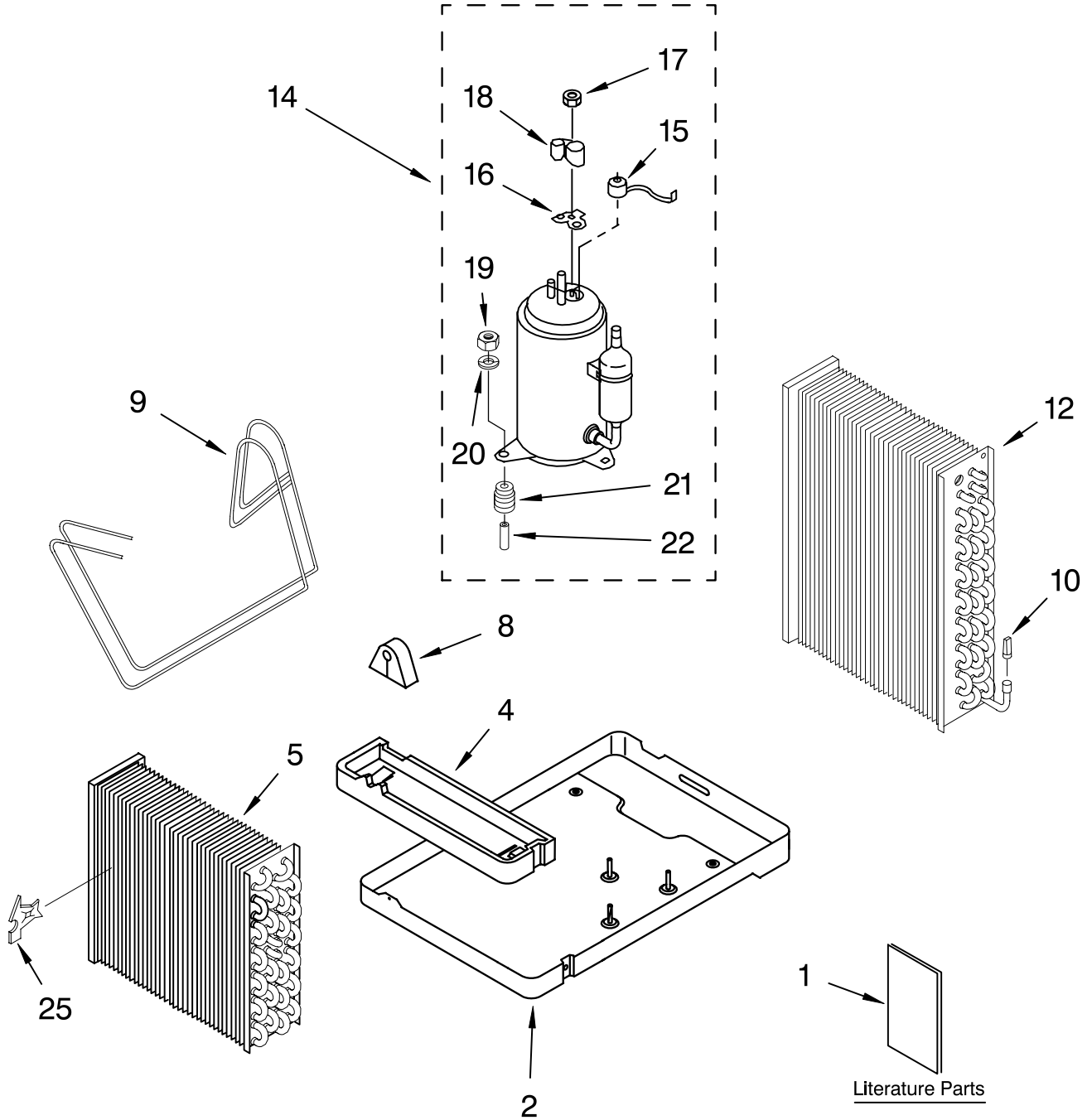




UNIT PARTS

For Model: ACS102PP0

AIR CONDITIONER



UNIT PARTS

For Model: ACS102PP0

| Illus. No. | Part No. | DESCRIPTION |
|-------------------|-----------------|--|
| 1 | LIT8199568 | Literature Parts Use And Care Guide |
| 2 | 8199556 | Base |
| 4 | 789778 | Pan, Drain (Evaporator) |
| 5 | 8199640 | Evaporator |
| 8 | 789755 | Grommet, Tube |
| 9 | 8199509 | Tube, Restrictor .042 I.D. x 27.5" (2) |
| 10 | 789673 | Strainer |
| 12 | 8199531 | Condenser |
| 14 | 8199641 | Compressor |
| 15 | 8199617 | Overload |
| 16 | 789882 | Gasket, Terminal Cover |
| 17 | 789883 | Nut, Terminal Cover |
| 18 | 8199642 | Cover, Terminal |
| 19 | 789661 | Nut |
| 20 | 789784 | Washer |
| 21 | 789827 | Grommet |
| 22 | 789783 | Sleeve |
| 25 | 8199639 | Clip, Thermistor |

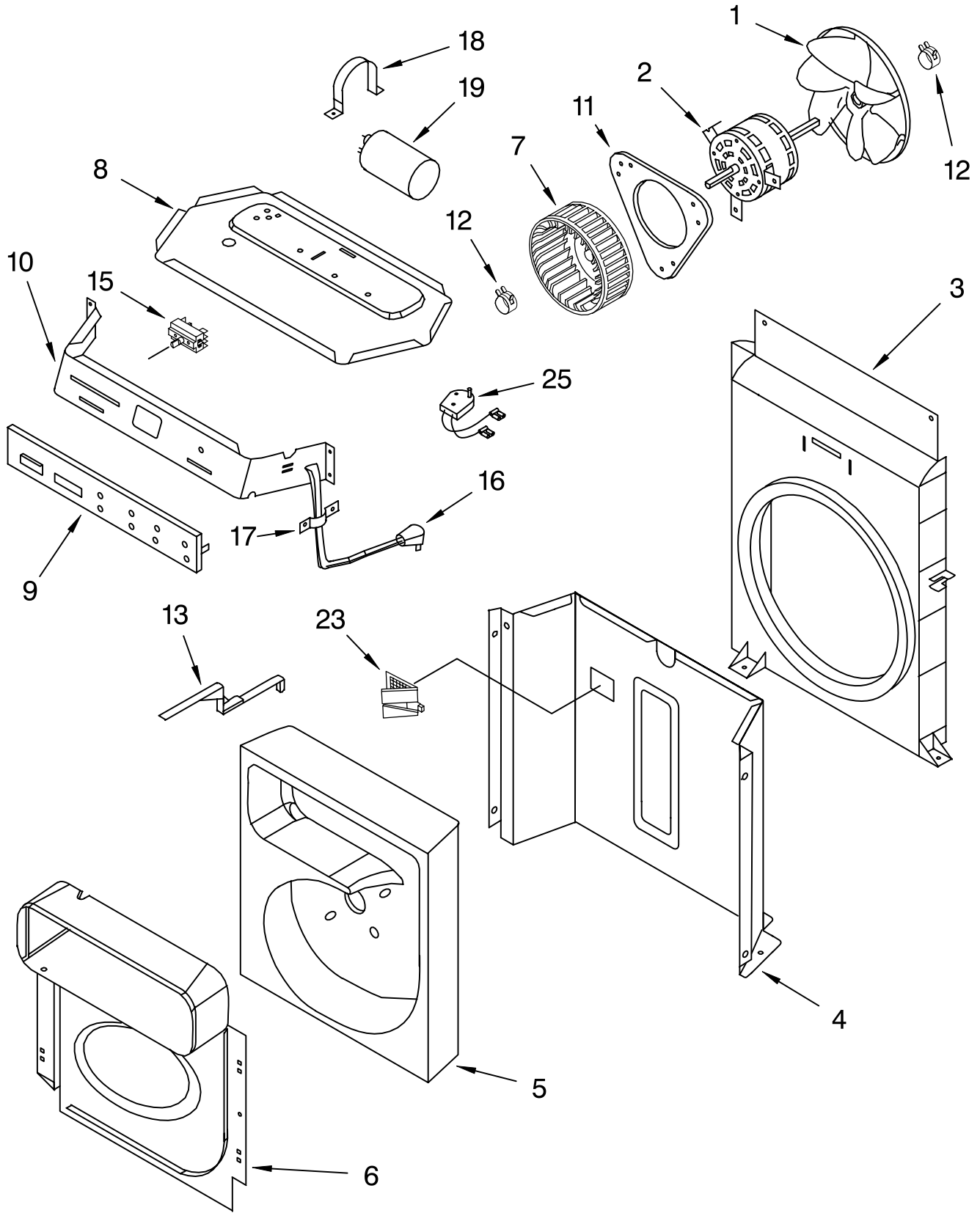
REFRIGERANT CHARGE

17.75 oz.

FOR ORDERING INFORMATION REFER TO PARTS PRICE LIST

AIRFLOW AND CONTROL PARTS

For Model: ACS102PP0



FOR ORDERING INFORMATION REFER TO PARTS PRICE LIST

AIR FLOW AND CONTROL PARTS

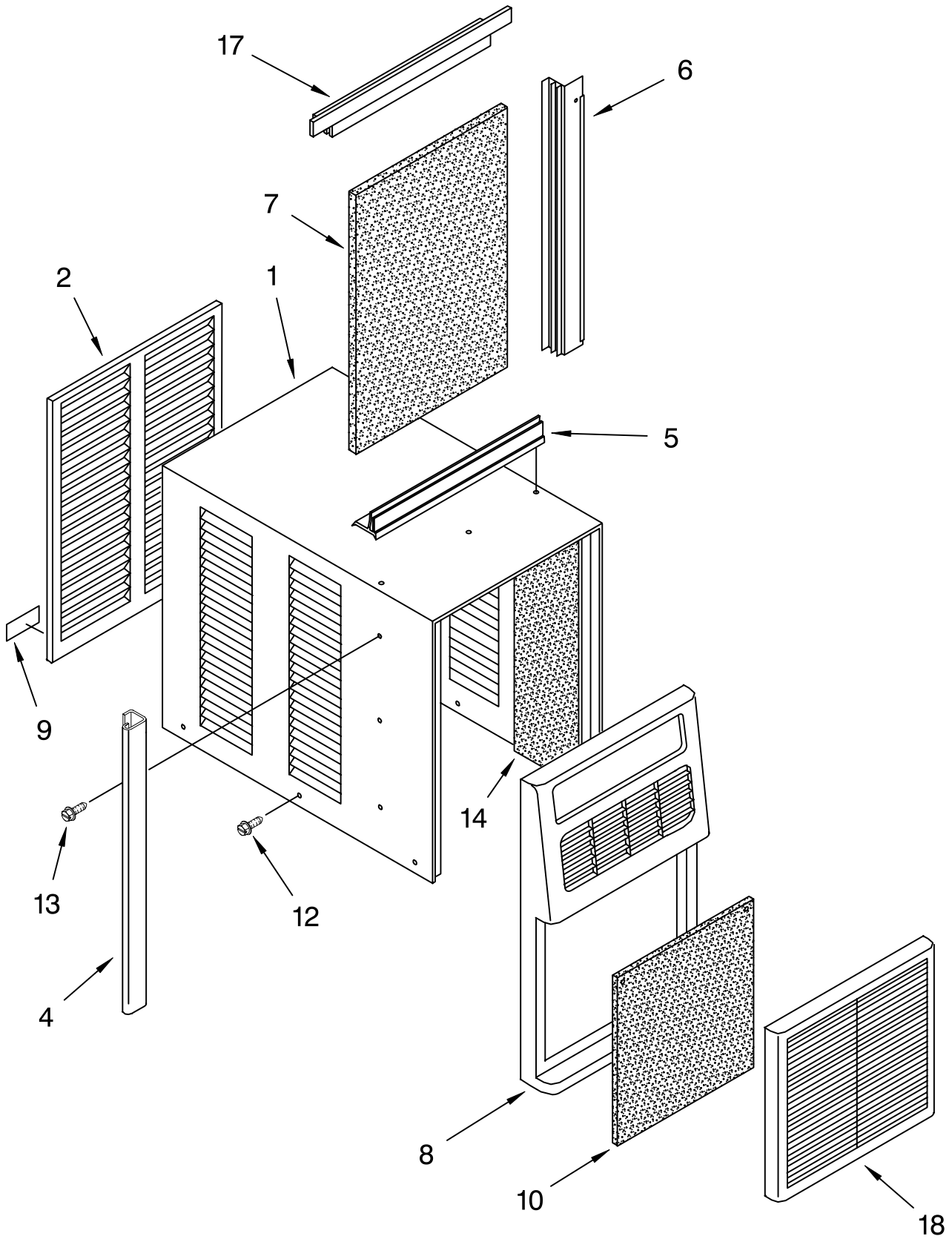
For Model: ACS102PP0

| Illus. No. | Part No. | DESCRIPTION |
|-----------------------|---------------------|---|
| 1 | 789834 | Blade, Fan |
| 2 | 789837 | Motor, Fan |
| 3 | 789836 | Shroud, Condenser |
| 4 | 789794 | Wall, Dividing |
| 5 | 8199633 | Housing, Blower |
| 6 | 789796 | Shroud, Evaporator (Includes Insul.) |
| 7 | 789838 | Wheel, Blower |
| 8 | 8199636 | Panel, Control (Bottom) |
| 9 | 8199634 | Touch Pad Assembly |
| 10 | 8199572 | Panel, Control |
| 11 | 789772 | Plate, Motor Mounting |
| 12 | 789835 | Clamp |
| 13 | 789917 | Actuator, Exhaust Door |
| 15 | 8199574 | Transformer |
| 16 | 8199638 | Cord, Power |
| 17 | 789806 | Relief, Strain |
| 18 | 789749 | Strap, Capacitor |
| 19 | 8199635 | Capacitor |
| 23 | 789907 | Door, Exhaust |
| 25 | 789801 | Assist, Start |

FOR ORDERING INFORMATION REFER TO PARTS PRICE LIST

CABINET PARTS

For Model: ACS102PP0



FOR ORDERING INFORMATION REFER TO PARTS PRICE LIST

CABINET PARTS

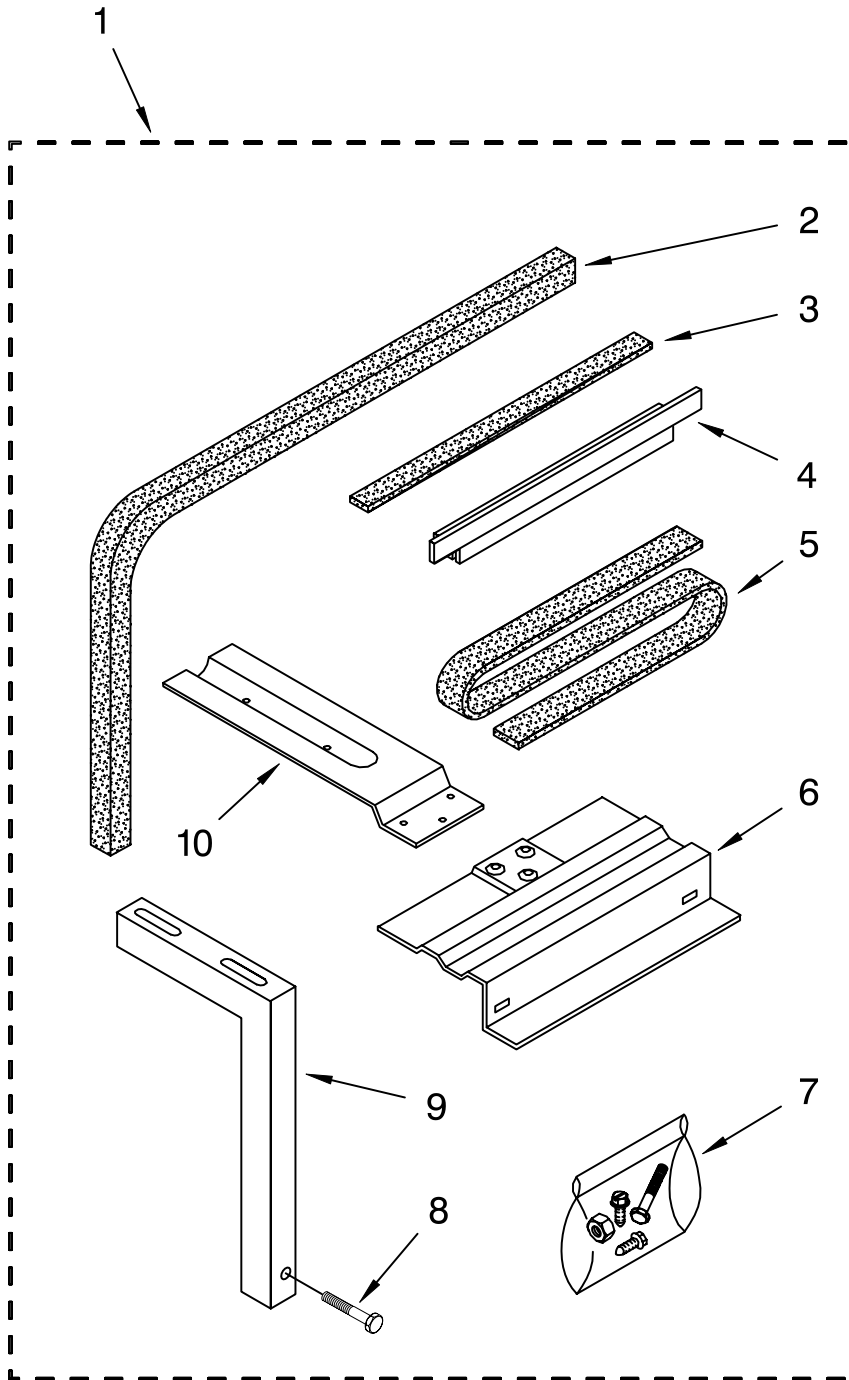
For Model: ACS102PP0

| Illus. No. | Part No. | DESCRIPTION |
|-----------------------|---------------------|--|
| 1 | 8199566 | Cabinet Assembly (Includes Insulation and Nos. 2 and 5) |
| 2 | 8199567 | Panel, Rear |
| 4 | 789961 | Retainer, Side (Cabinet)(2) |
| 5 | 789962 | Retainer, Top (Cabinet) |
| 6 | 789963 | Retainer, Panel (Side)(2) |
| 7 | 789817 | Panel, Filler |
| 8 | 8199564 | Front Assembly |
| 9 | 789925 | Nameplate |
| 10 | 789809 | Filter, Air |
| 12 | 3148443 | Screw #8 x 1/4 Hex |
| 13 | 4389654 | Screw #8 x 3/8 Hex |
| 14 | | Insulation, Cab. 789747 (Top) 789746 (Side)(2 Required) |
| 17 | 789964 | Retainer, Filler Board (Top) |
| 18 | 8199565 | Insert, Front |

FOR ORDERING INFORMATION REFER TO PARTS PRICE LIST

INSTALLATION PARTS

For Model: ACS102PP0



| Illus. No. | Part No. | DESCRIPTION |
|------------|----------|---|
| 1 | 789687 | Kit, Installation |
| 2 | 789692 | Seal, Meeting Rail |
| 3 | 789745 | Seal, Strip |
| 4 | 789688 | Retainer, Filler Panel (Top) (Not Serviced Separately) |
| 5 | 789744 | Seal, Strip |
| 6 | | Plate, Sill (Not Serviced Separate) |
| 7 | | Hardware (Not Serviced Separate) |
| 8 | | Bolt, Leveling 3/8-16 x 2.5" |
| 9 | | Angle, Support (Not Serviced Separately) |
| 10 | | Platform, Support (Not Serviced Separately) |

FOR ORDERING INFORMATION REFER TO PARTS PRICE LIST

Free Manuals Download Website

<http://myh66.com>

<http://usermanuals.us>

<http://www.somanuals.com>

<http://www.4manuals.cc>

<http://www.manual-lib.com>

<http://www.404manual.com>

<http://www.luxmanual.com>

<http://aubethermostatmanual.com>

Golf course search by state

<http://golfingnear.com>

Email search by domain

<http://emailbydomain.com>

Auto manuals search

<http://auto.somanuals.com>

TV manuals search

<http://tv.somanuals.com>