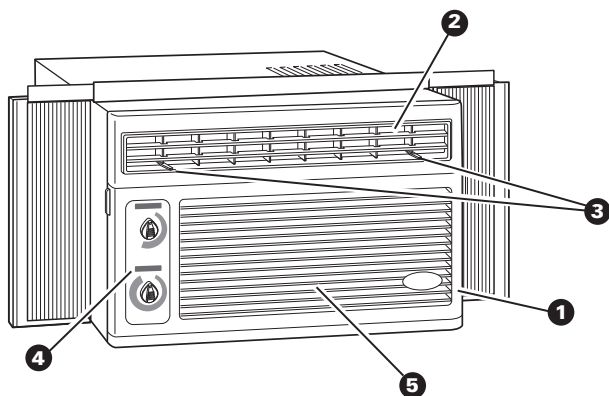


Use and Care Guide and Installation Instructions

CROSLEY®



1. Front panel
2. Air louvers
3. Air direction tabs
4. Control panel
5. Filter

**ROOM AIR
CONDITIONER**

Questions regarding features,
operation/performance, parts,
accessories or service?
Call 1-800-253-1301
www.whirlpool.com

4380702

© 2000 All rights reserved

Printed in U.S.A.

Contents

Use and Care Guide

	Page
A Note To You	2
Air Conditioner Safety	3
Important Safety Instructions	3
Operating Your Air Conditioner	4
Starting your air conditioner	4
Changing air direction	4
Saving energy	4
Normal operating sounds	4
Caring for Your Air Conditioner	5
Cleaning the air filter	5
Cleaning the front panel	5
Repairing paint damage	5
Troubleshooting	6
Ordering Accessories	8
Requesting Assistance or Service	8

Installation Instructions

	Page
Location	9
Tools needed	9
Parts supplied	9
Electrical requirements	10
Window preparation	10
Installation	11
Warranty	12

A Note To You

Thank you for buying this appliance.

To ensure you enjoy years of trouble-free operation, we developed this Use and Care Guide. It contains valuable information about how to operate and maintain your appliance properly and safely. Please read it carefully. Also, please complete and mail the Product Registration Card provided with your appliance. This card helps us notify you about any new information on your appliance.

Please record your model's information.

Whenever you call to request service on your appliance, you need to know your complete model number and serial number. You can find this information on the model and serial number label. (See Installation Instructions for model and serial number location.)

Please record the model and serial number information below. Also, record the purchase date of your appliance and the store's name, address, and telephone number.

Model Number

Serial Number

Purchase Date

Store Name

Store Address

Store Phone

Keep this book and the sales slip together
in a safe place for future reference.

Air Conditioner Safety

Your safety and the safety of others are very important.

We have provided many important safety messages in this manual and on your appliance. Always read and obey all safety messages.



This is the safety alert symbol.

This symbol alerts you to potential hazards that can kill or hurt you and others.

All safety messages will follow the safety alert symbol and either the word "DANGER" or "WARNING". These words mean:

DANGER

You can be killed or seriously injured if you don't immediately follow instructions.

WARNING

You can be killed or seriously injured if you don't follow instructions.

All safety messages will tell you what the potential hazard is, tell you how to reduce the chance of injury, and tell you what can happen if the instructions are not followed.

IMPORTANT SAFETY INSTRUCTIONS

WARNING — To reduce the risk of fire, electrical shock, injury, or sickness when using your air conditioner, follow these basic precautions:

- Plug into a grounded 3-prong outlet.
- Do not remove ground prong.
- Do not use an adapter.
- Do not use an extension cord.
- Unplug air conditioner before servicing.
- Use two or more people to move or install air conditioner.
- Do not drink water collected inside the cabinet.

— **SAVE THESE INSTRUCTIONS** —

Help us help you

Please:

- Install your air conditioner in a window that will hold the weight, and secure the air conditioner according to the Installation Instructions.
- Connect the air conditioner to the proper kind of outlet with the correct electrical supply and ground. (See the Installation Instructions.)
- Make sure the air conditioner is the correct size for the area you want to cool.
- Make sure curtains, drapes or furniture do not block airflow from the air conditioner.
- Use the air conditioner only to do what a window air conditioner is designed to do.
- Make sure the air conditioner is not used by anyone unable to operate it properly.
- Maintain the air conditioner properly.

Also, remove the Energy Label. Use a damp cloth to take off any glue residue. **DO NOT** use sharp instruments, flammable fluids, or abrasive cleaners. These can damage the air conditioner finish.

Operating Your Air Conditioner

Operating your air conditioner properly helps you to obtain the best possible results. This section explains proper air conditioner operation.

IMPORTANT:

- If you turn the air conditioner off, wait at least 3 minutes before turning it back on. This prevents the air conditioner from blowing a fuse or tripping a circuit breaker.
- Do not try to operate your air conditioner in the cooling mode when outside temperature is below 65°F (18°C). The inside evaporator coil will freeze up and the air conditioner will not operate properly.

Starting your air conditioner

FAN CONTROL

Set the FAN CONTROL to the desired setting. When the air conditioner is operating at LOW COOL, MED COOL (some models) or TURBO COOL, the fan circulates air continuously.

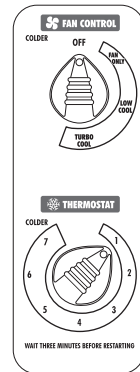
- LOW COOL** – for sleeping comfort
- MED COOL** (some models) – for normal cooling
- TURBO COOL** – for maximum cooling

FAN ONLY

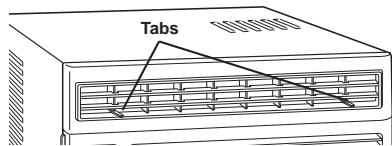
When the FAN ONLY setting is selected, the fan will run continuously to move air, but the air will not be cooled.

THERMOSTAT

Turn the THERMOSTAT Control to a mid-setting. Adjust the air conditioner's performance by turning the THERMOSTAT Control clockwise (↻) for maximum cooling. For less cooling, turn the THERMOSTAT Control counterclockwise (↺). Experiment and find the setting that suits you best.



Changing air direction



The louvers in the top of the front panel allow you to control the direction of the cooled air. Use the tabs to direct the air up, down, right, left, or straight ahead.

Saving energy

There are many things you can do to help save energy.

- Improve your home's insulation. Seal doors and windows. Close fireplace flue.
- Close blinds or drapes on the sunny side of your house. Add awnings.
- Make sure drapes or furniture do not block airflow from your air conditioner.
- Turn lights and appliances off when they are not needed.
- Ventilate your attic. High temperatures in the attic add to the air conditioner's cooling load.
- Try not to use heat-producing appliances during the hottest part of the day.
- Keep heat registers and cool-air returns closed.
- Use exhaust vent fans while cooking, doing laundry, or bathing.

Normal operating sounds

When your air conditioner is operating normally, you may hear sounds such as:

- Droplets of water hitting the condenser, causing a "pinging" or "clicking" sound. The water droplets help cool the condenser.
- Air movement from the fan.
- Clicks from the thermostat cycle.
- Vibrations or noise due to poor wall or window construction.
- A high-pitched hum or pulsating noise caused by the modern high-efficiency compressor cycling on and off.

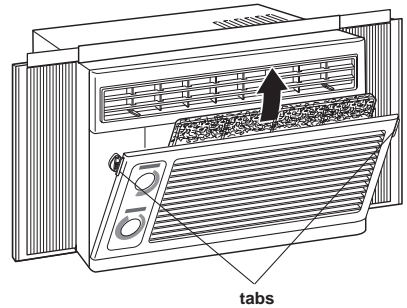
Caring for Your Air Conditioner

Your new air conditioner is designed to give you many years of dependable service. This section tells you how to clean and care for your air conditioner properly. Call your local authorized dealer for an annual checkup. Remember... the cost of this service call is your responsibility.

Cleaning the air filter

The air filter is removable for easy cleaning. A clean filter helps remove dust, lint, and other particles from the air and is important for best cooling and operating efficiency. Check the filter every 2 weeks to see if it needs cleaning. Do not operate the air conditioner without the filter in place.

1. Unplug air conditioner or disconnect power.
2. Grasp tabs on either side of filter door and pull door forward.
3. Pull out air filter from behind grille.
4. Wash air filter in warm 104°F (40°C) water. Do not wash air filter in the dishwasher or use any chemical cleaners. **Air dry filter completely before replacing to ensure maximum efficiency.**
5. Replace air filter behind filter door.
6. Close filter door.
7. Plug in air conditioner or reconnect power.



Cleaning the air conditioner

1. Unplug air conditioner or disconnect power.
2. Wipe front panel and cabinet with warm water and mild soap or detergent. Use a soft cloth.
3. Rinse control panel and dry thoroughly with a soft cloth.
4. You may use a liquid wax for appliances to polish cabinet.
5. Plug in air conditioner or reconnect power.

To ensure continued high efficiency, check condenser coils (outside of air conditioner) periodically and clean them if they are clogged with soot or dirt.

Repairing paint damage

Check once or twice a year for paint damage. This is very important, especially in areas near oceans or where rust is a problem. If needed, touch up with a good grade enamel paint.

NOTE: To reduce paint damage during the winter, install a heavy-duty cover over air conditioner cabinet. For information on ordering a heavy-duty cover, see page 8.

Troubleshooting

You can solve many common air conditioner problems easily, saving you the cost of a service call. Try the suggestions below to see if you can solve your problem without outside help.

Air conditioner will not operate.

Check if ...	Then ...
The power supply cord is unplugged.	Firmly plug the power supply cord into a live outlet with proper voltage.
A household fuse has blown or circuit breaker has tripped.	Replace the fuse or reset the circuit breaker. Make sure the air conditioner is plugged into a properly grounded outlet as described in the Installation Instructions.
The local power has failed.	Wait for power to be restored.

Air conditioner blows fuses or trips circuit breakers.

Check if ...	Then ...
Too many appliances are being used on the same circuit.	Unplug or relocate appliances that share the same circuit.
Time-delay fuse or circuit breaker of the wrong capacity is being used.	Replace with a 15-amp time-delay fuse or circuit breaker of the correct capacity. See "Electrical requirements" in the Installation Instructions for the correct capacity.
An extension cord is being used.	Do not use an extension cord with this or any other appliance.
You are trying to restart the air conditioner too soon after turning it off.	Wait at least 3 minutes after turning air conditioner off before trying to restart the air conditioner.

Air conditioner seems to run too much.

Check if ...	Then ...
The current air conditioner replaced an older model.	The use of more efficient components may cause the air conditioner to run longer than an older model, but the total energy consumption will be less. Newer air conditioners do not emit the "blast" of cold air you may be accustomed to from older units, but this IS NOT an indication of lesser cooling capacity or efficiency. Refer to the efficiency rating (EER) and capacity rating (in BTUs/hr.) marked on the air conditioner.
The air conditioner is in a heavily occupied room or heat-producing appliances are in use in the room.	Use exhaust vent fans while cooking or bathing and try not to use heat-producing appliances during the hottest part of the day. A higher capacity air conditioner may be required depending on the size of the room being cooled.

Air conditioner cycles on and off too much, or does not cool room in cooling mode.

Check if ...	Then ...
The air conditioner is not properly sized for your room.	Check the cooling capabilities of your room air conditioner. Room air conditioners are not designed to cool multiple rooms.
The filter is dirty or obstructed by debris.	Clean the filter. See page 5.
The inside evaporator and outside condenser coils are dirty or obstructed by debris.	Clean the inside evaporator and outside condenser coils. See page 5.
There is excessive heat or moisture (open container cooking, showers, etc.) in the room.	Use a fan to exhaust heat or moisture from the room. Try not to use heat-producing appliances during the hottest part of the day.
The louvers are blocked.	Install the air conditioner in a location where the louvers are free from curtains, blinds, furniture, etc.
The outside temperature is below 65°F (18°C).	Do not try to operate your air conditioner in the cooling mode when the outside temperature is below 65°F (18°C).
The temperature of the room you are trying to cool is extremely hot.	Allow extra time for the air conditioner to cool off a very hot room.
Windows or doors to the outside are open.	Close all windows and doors.
The temperature set point is not at a cool enough setting.	Adjust the temperature set point to a cooler setting. Set FAN SPEED to TURBO.
The air conditioner is installed on the sunny side of your house.	Install your air conditioner in a more shaded window.

Water drips from cabinet into your house.

Check if ...	Then ...
The air conditioner is not properly leveled. The air conditioner should slope slightly downward toward the outside.	Level the air conditioner to provide a downward slope toward the outside (1/2 bubble on a carpenter's level) to ensure proper drainage. See the Installation Instructions. Reposition or shim the cabinet as necessary. NOTE: Do NOT drill a hole in the bottom of the metal base and condensate pan.

Ordering Accessories

You can order the following accessories for your air conditioner from your local authorized dealer or by calling **1-800-253-1301** from anywhere in the U.S.A. You will hear a recording. Follow the instructions to place an order.

Replacement air filters

A good, clean air filter is important for best cooling with least energy consumption. Your air filter should be cleaned regularly. See page 5 for cleaning instructions. We suggest you replace your air filter once a year.

Installation kits

A standard installation kit is included with your air conditioner. These special installation kits are available:

- Outside Sill Bracket Kit
- Wide-Window Kit

Heavy-duty cover

If you decide to leave your air conditioner installed during the winter, a heavy-duty cover will help protect your air conditioner and reduce drafts. The cover protects against cold drafts through the unit's air passages and protects the cabinet from snow, rain, sleet, rust, and dust.

For a heavy-duty cover sized to fit your air conditioner, order part #484069.

Requesting Assistance or Service

To avoid unnecessary service calls, please check the "Troubleshooting Guide" section. It may save you the cost of a service call. If you still need help, follow the instructions below.

If you need assistance or service

Call the Customer Interaction Center telephone number. Dial toll-free 1-800-253-1301. Our consultants are available to assist you.

When calling: Please know the purchase date, and the complete model and serial number of your appliance (see the "A Note to You" section). This information will help us better respond to your request.



Our consultants provide assistance with:

- Features and specifications on our full line of appliances
- Installation information

- Use and maintenance procedures
- Accessory and repair parts sales
- Specialized customer assistance (Spanish speaking, hearing impaired, limited vision, etc.)
- Referrals to local dealers, service companies, and repair parts distributors

Our service technicians are trained to fulfill the product warranty and provide after-warranty service, anywhere in the United States.

To locate the authorized service company in your area, you can also look in your telephone directory Yellow Pages.

If you need replacement parts

If you need to order replacement parts, we recommend that you only use factory-authorized parts. These parts will fit right and work right, because they are made to the same exacting specifications used to build every new appliance.

To locate factory-authorized parts in your area, call our Customer Interaction Center telephone number, your nearest authorized service center, or Factory Service at 1-800-442-1111.

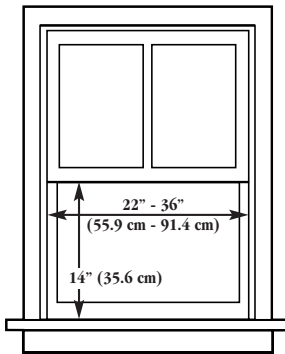
Installation Instructions

Important:

- **Installer:** Leave Installation Instructions with the homeowner.
- **Homeowner:** Keep Installation Instructions for future reference.
- **Save** Installation Instructions for local electrical inspector's use.

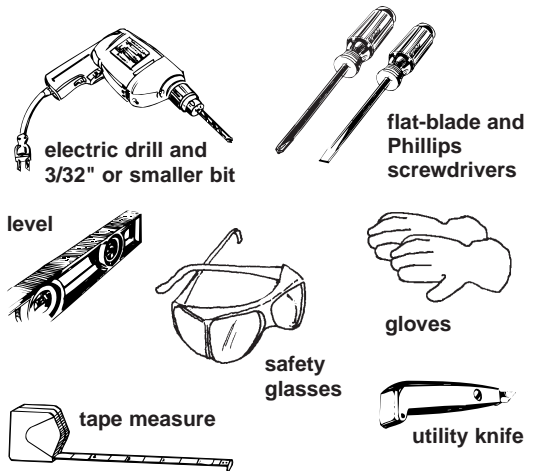
**Important:
Read and save these
instructions.**

Location



Window opening measurements

Tools needed



⚠ WARNING

Excessive Weight Hazard

Use two or more people to move and install air conditioner.
Failure to do so can result in back or other injury.

Important: Observe all governing codes and ordinances.

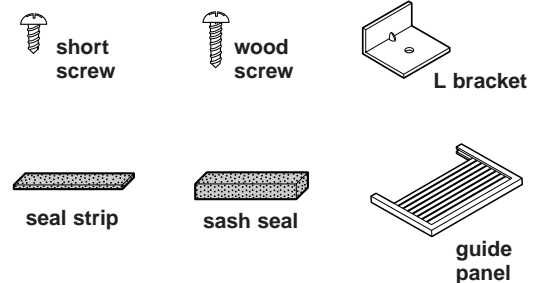
Check location where air conditioner will be installed. Proper installation is your responsibility. Make sure you have everything necessary for correct installation.

The location should provide:

- **Grounded electrical outlet** within four feet (122 cm) of the window or through-the-wall location. Do not use an extension cord.
- **Free movement of air** to rooms to be cooled.
- **A large enough opening for the air conditioner.**
 - 22" (55.9 cm) minimum to 36" (91.4 cm) maximum opening width
 - 14" (35.6 cm) minimum opening height
- **Adequate wall support** for weight of air conditioner. Air conditioner weighs between 90 and 178 pounds (40.8 to 80.7 kg).


Do not install the air conditioner in an area where the front panel will be exposed to heat sources that will raise the panel surface temperature above 120°F (50°C).

Parts supplied



Electrical requirements

⚠ WARNING



Electrical Shock Hazard

Plug into a grounded 3-prong outlet.

Do not remove ground prong.

Do not use an adapter.

Do not use an extension cord.

Failure to follow these instructions can result in death, fire, or electrical shock.

In the U.S. only: If codes permit and a separate ground wire is used, it is recommended that a qualified electrician determine that the ground path is adequate.

Check with a qualified electrician if you are not sure air conditioner is grounded.

A three-wire, single-phase, 60-Hz, AC-only, electrical supply is required on a separate circuit. See model and serial label for circuit amperage required for your specific model.

A time delay fuse or circuit breaker is required. Use copper wire only.

The model and serial label is located behind the front panel on the cabinet. This label lists the BTU capacity, amperage, voltage and refrigerant charge requirements.

Recommended grounding method

For your personal safety, this air conditioner must be grounded. This air conditioner is equipped with a power supply cord with a 3-prong grounding plug. To minimize possible electrical shock hazard, the cord must be plugged into a mating 3-prong grounding-type outlet, grounded in accordance with all local codes and ordinances. If a mating 3-prong grounding-type outlet is not available, it is the consumer's responsibility to have a properly grounded, 3-prong outlet installed by a licensed installer.

It is the customer's responsibility:

- To contact a qualified electrical installer.
- To assure that the electrical installation is adequate and in conformance with National Electrical Code, ANSI/NFPA 70 — latest edition,* and all local codes and ordinances.

Copies of the standards listed may be obtained from:

* National Fire Protection Association
 Batterymarch Park
 Quincy, Massachusetts 02269.

Power supply cord and receptacle



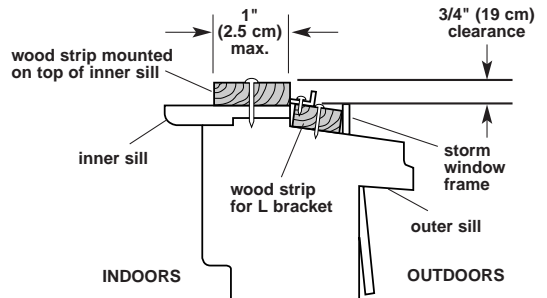
- 115 volt (103.5 min. - 126.5 max.)
- 0-12 amperes
- 15-amp time-delay fuse or circuit breaker
- 14 gauge copper wiring

Window preparation

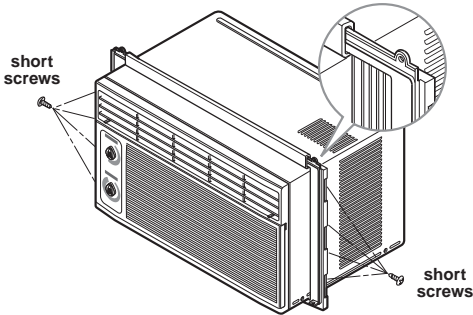
If storm window frame interferes with air conditioner, attach a 2" (5 cm) -wide wood strip to inner window sill, across full width of sill. Wood strip should be thick enough to raise height of window sill so that you can install air conditioner without interference from storm window frame, so that condensation water properly drains to the outside.

Note: If distance between storm window frame and inner sill-mounted wood strip is greater than 1 inch (2.5 cm), wood strip for outer window sill (described in right column) is not necessary.

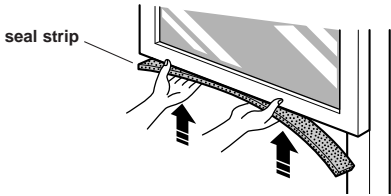
Attach a second wood strip, approximately 6" x 1-1/2" x 2" (15.2 cm x 3.8 cm x 5 cm) in center of outer window sill, flush against back of inner sill. This wood strip will raise the L brackets to hold air conditioner securely in place.



Installation

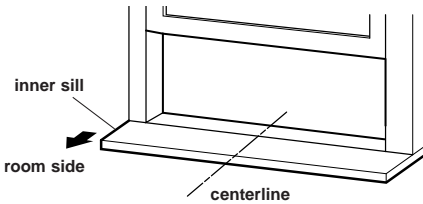


1. Insert guide panels into air conditioner guides.
2. Attach curtains to air conditioner with short screws.

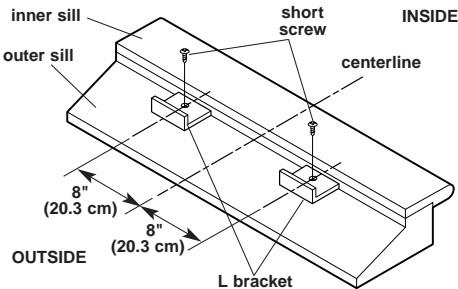


3. Cut adhesive-backed seal strip to window width. Remove backing from seal strip. Attach seal strip to bottom of window.

Note: Maintain a firm hold on air conditioner to prevent it from falling out of the opening during installation.



4. Open window and mark centerline of inner sill.

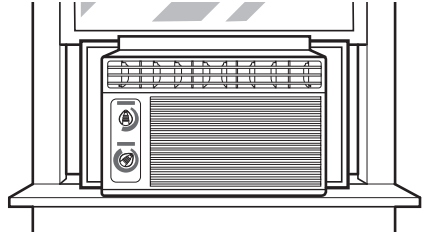


5. Attach one L bracket 8 inches (20.3 cm) from either side of centerline, flush against back of inner window sill, with short side of bracket in vertical position. Brackets will help hold air conditioner in place. Use 2 short screws.

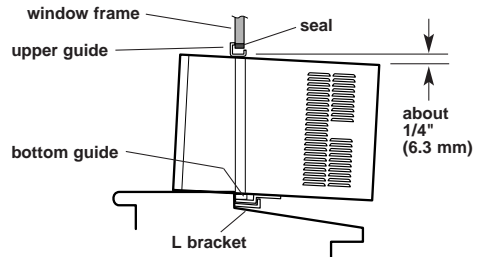
⚠ WARNING

Excessive Weight Hazard

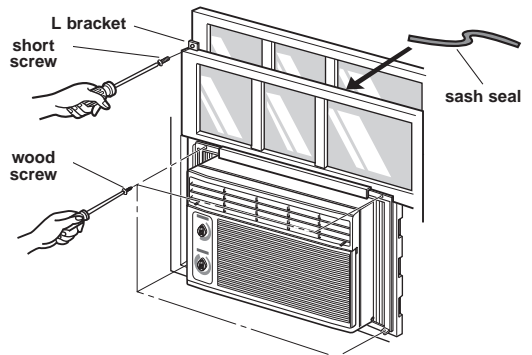
Use two or more people to move and install air conditioner. Failure to do so can result in back or other injury.



6. Carefully lift air conditioner and slide it into open window. Make sure bottom guide of air conditioner drops into L bracket. Be sure that air conditioner is centered in window from right to left.



7. Lower window sash down behind upper guide of air conditioner. Make sure the air conditioner tilts to the back as shown.



8. Extend guide panels to fill window opening. Use 4 wood screws.
9. Insert sash seal behind top of lower window sash and against glass of upper window.
10. Fasten L bracket using a short screw.

Removing air conditioner from window

WARNING

Excessive Weight Hazard

Use two or more people to move and install air conditioner.

Failure to do so can result in back or other injury.

1. Turn air conditioner off and disconnect power cord.
2. Remove L brackets and screws installed through top and bottom of guide panels. Save for reinstallation.
3. Close guide panels.
4. Raise window sash and carefully tilt air conditioner backward to drain any condensate water in base.
5. Lift air conditioner from window and remove sash seal from between windows.

Warranty

LENGTH OF WARRANTY	WHIRLPOOL WILL PAY FOR
FULL ONE-YEAR WARRANTY FROM DATE OF PURCHASE (All models)	Replacement parts and repair labor to correct defects in materials or workmanship. Service must be provided by a Whirlpool-designated service company.
FULL FIVE-YEAR WARRANTY FROM DATE OF PURCHASE (Models with 3 fan speeds only)	Replacement parts and repair labor to correct defects in materials or workmanship in the sealed refrigeration system. These parts are: <ol style="list-style-type: none"> 1. Compressor 2. Evaporator 3. Condenser 4. Drier-Strainer 5. Connecting Tubing Service must be provided by a designated service company.
WHIRLPOOL WILL NOT PAY FOR	
<p>A. Service calls to:</p> <ol style="list-style-type: none"> 1. Correct the installation of your air conditioner. 2. Instruct you how to use your air conditioner. 3. Replace house fuses or correct house wiring. 4. Clean or replace the air filter. <p>B. Pickup and delivery. Your air conditioner is designed to be repaired in the home.</p> <p>C. Damage to your air conditioner caused by accident, misuse, fire, flood, acts of God, or use of products not mentioned in the Use and Care Guide.</p> <p>D. The removal and reinstallation of your air conditioner if it is installed in an overhead or other inaccessible location or is not installed in accordance with published installation instructions.</p> <p>E. Repairs to parts or systems resulting from unauthorized modifications made to the appliance.</p> <p>F. Replacement parts or repair labor costs for units operated outside the United States or Canada.</p>	

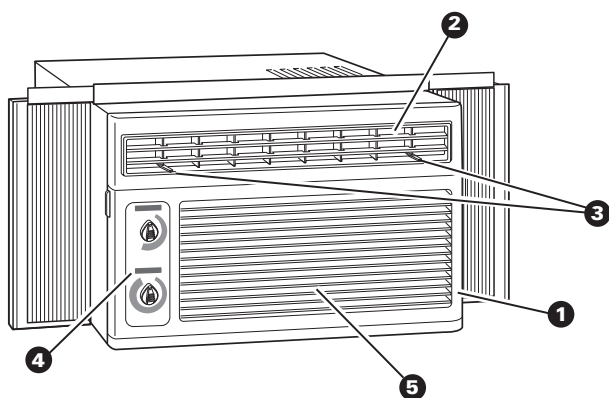
WHIRLPOOL CORPORATION SHALL NOT BE LIABLE FOR INCIDENTAL OR CONSEQUENTIAL DAMAGES. Some states or provinces do not allow the exclusion or limitation of incidental or consequential damages, so this exclusion or limitation may not apply to you. This warranty gives you specific legal rights, and you may also have other rights which vary from state to state or province to province.

Outside the United States and Canada a different warranty may apply. For details, please contact your authorized dealer.

If you need service, first see the "Troubleshooting" section of the Use and Care Guide. After checking "Troubleshooting," additional help can be found by checking the "Requesting Assistance or Service" section, or by calling the Whirlpool Consumer Assistance Center telephone number, 1-800-253-1301, from anywhere in the U.S.A. For service in Canada, see "If you need assistance or service in Canada" in your Use and Care Guide for the service branch in your area.

Guide d'utilisation et d'entretien et instructions d'installation

CROSLEY®



CLIMATISEUR

1. Panneau avant
2. Jalousies
3. Languettes de direction de l'air
4. Tableau de commande
5. Filtre

Questions au sujet des
caractéristiques,
fonctionnement/rendement, pièces,
accessoires ou service?
Composer le 1-800-253-1301
www.whirlpool.com

4380702

© 2000 Tous droits réservés

Imprimé aux É.-U.

Table des matières

Guide d'utilisation et d'entretien

	Page
Notes à l'utilisateur	2
Sécurité du climatiseur	3
Importantes instructions de sécurité	3
Utilisation du climatiseur	4
Mise en marche du climatiseur	4
Changement de la direction de l'air	4
Économie d'énergie	4
Bruits normaux de fonctionnement	4
Entretien du climatiseur	5
Nettoyage du filtre à air	5
Nettoyage du panneau avant	5
Réparation de la peinture	5
Dépannage	6
Commande d'accessoires	8
Demande d'assistance ou de service	8

Instructions d'installation

	Página
Emplacement	9
Outils nécessaires	9
Pièces fournies	9
Spécifications électriques	10
Préparation de la fenêtre	10
Installation	11
Garantie	12

Note à l'utilisateur

Merci d'avoir acheté ce climatiseur.

Pour que votre climatiseur puisse vous fournir de nombreuses années de service sans problème, nous avons préparé ce guide d'utilisation et d'entretien. Il contient des renseignements utiles qui vous aideront à entretenir et utiliser votre appareil correctement et en sécurité. Veuillez le lire attentivement. Veuillez également remplir et retourner la carte d'enregistrement fournie avec l'appareil. Nous serons ainsi en mesure de vous communiquer toute information à jour concernant votre appareil ménager.

Veuillez inscrire l'information identifiant le modèle que vous avez acheté.

Lors de toute communication avec le service d'entretien au sujet de cet appareil ménager, vous devez savoir les numéros au complet de modèle et de série. On trouve ces renseignements sur la plaque signalétique indiquant les numéros de modèle et de série. (Voir Instructions d'installation pour l'endroit d'indication des numéros de modèle et de série.)

Veuillez inscrire ci-dessous les renseignements au sujet des numéros de modèle et de série. Veuillez aussi inscrire la date d'achat de votre appareil ménager et le nom, l'adresse et le numéro de téléphone du magasin.

Numéro de modèle

Numéro de série

Date d'achat

Nom du magasin

Adresse du magasin

Téléphone du magasin

Veuillez conserver cette brochure et les factures d'achat ensemble en lieu sûr pour consultation ultérieure.

Sécurité du climatiseur

Votre sécurité et celle des autres est très importante.

Nous donnons de nombreux messages de sécurité importants dans ce manuel, et sur votre appareil ménager. Assurez-vous de toujours lire tous les messages de sécurité et de vous y conformer.



Voici le symbole d'alerte de sécurité.

Ce symbole d'alerte de sécurité vous signale les dangers potentiels de décès et de blessures graves à vous et à d'autres.

Tous les messages de sécurité suivront le symbole d'alerte de sécurité et le mot «DANGER» ou «AVERTISSEMENT». Ces mots signifient :

DANGER

Risque possible de décès ou de blessure grave si vous ne suivez pas immédiatement les instructions.

AVERTISSEMENT

Risque possible de décès ou de blessure grave si vous ne suivez pas les instructions.

Tous les messages de sécurité vous diront quel est le danger potentiel et vous disent comment réduire le risque de blessure et ce qui peut se produire en cas de non-respect des instructions.

IMPORTANTES INSTRUCTIONS DE SÉCURITÉ

AVERTISSEMENT - Pour réduire le risque d'incendie, de choc électrique, de blessure, ou de maladie lors de l'utilisation du climatiseur, observer ces précautions élémentaires :

- Brancher dans une prise de courant à 3 alvéoles reliée à la terre.
- Ne pas enlever la broche de liaison à la terre.
- Ne pas utiliser un adaptateur.
- Ne pas utiliser un câble de rallonge.
- Débrancher le climatiseur avant l'entretien.
- Utiliser deux ou plusieurs personnes pour déplacer ou installer le climatiseur.
- Ne pas boire l'eau accumulée à l'intérieur de la caisse.

— CONSERVEZ CES INSTRUCTIONS —

Aidez-nous à vous aider

Veillez :

- Installer le climatiseur dans une fenêtre capable d'en soutenir le poids, et immobiliser le climatiseur conformément aux instructions d'installation.
- Brancher l'appareil uniquement sur une prise de courant de type convenable à l'aide d'un câble d'alimentation électrique approprié et convenablement relié à la terre. (Voir les instructions d'installation.)
- S'assurer que la taille du climatiseur correspond à la surface de l'espace à climatiser.
- S'assurer que les rideaux, tentures ou meubles ne bloquent pas la circulation de l'air du climatiseur.
- Utiliser le climatiseur uniquement pour une application correspondant à ce qu'un climatiseur de fenêtre peut faire.
- Veiller à ce que le climatiseur ne soit jamais utilisé par une personne qui ne saurait le faire fonctionner correctement.
- Veiller à faire un entretien adéquat du climatiseur.

Enlever aussi l'étiquette d'information de consommation d'énergie. Utiliser un chiffon humide pour éliminer tout résidu de colle. NE PAS utiliser d'instruments acérés, des liquides inflammables ou des produits de nettoyage abrasifs qui peuvent endommager la finition du climatiseur.

Utilisation du climatiseur

L'utilisation adéquate du climatiseur vous permet d'obtenir les meilleurs résultats possibles. Cette section explique l'utilisation adéquate du climatiseur.

IMPORTANT :

- Après un arrêt du climatiseur, attendre au moins 3 minutes avant de le remettre en marche. Ceci évite de faire sauter un fusible ou de déclencher un disjoncteur.
- Ne pas tenter de faire fonctionner le climatiseur lorsque la température extérieure est inférieure à 18°C (65°F). Le serpentin de l'évaporateur intérieur gèlera et le climatiseur ne fonctionnera pas correctement.

Mise en marche du climatiseur

RÉGLAGE DU VENTILATEUR

Faire le réglage du ventilateur à la position désirée. Quand le climatiseur fonctionne aux réglages LOW COOL (refroidissement bas), MED COOL (refroidissement moyen) (sur certains modèles) ou TURBO COOL (refroidissement turbo), le ventilateur fait circuler l'air continuellement.

LOW COOL – pour confort nocturne

MED COOL (sur certains modèles) – pour refroidissement normal

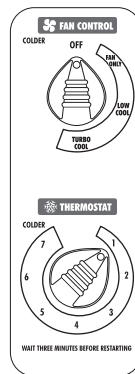
TURBO COOL – pour refroidissement maximal

FAN ONLY (VENTILATEUR SEULEMENT)

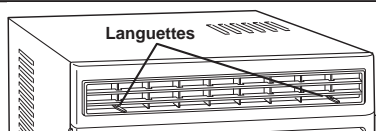
Lorsqu'on choisit la fonction FAN ONLY (ventilateur seulement), le ventilateur fait circuler l'air continuellement mais sans aucun refroidissement.

THERMOSTAT

Tourner le réglage du THERMOSTAT à une position moyenne. Régler le rendement du climatiseur en tournant le réglage du THERMOSTAT dans le sens des aiguilles d'une montre (↻) pour un refroidissement maximal. Pour réduire le refroidissement, tourner le réglage du THERMOSTAT dans le sens inverse des aiguilles d'une montre (↺). Faire des essais pour trouver le réglage qui convient le mieux.



Changement de la direction de l'air



Les jalousies à la section supérieure du panneau avant du climatiseur, contrôlent la direction de la circulation de l'air refroidi. Utiliser les languettes pour orienter la direction de l'air vers le haut, vers le bas, vers la droite, vers la gauche ou directement à l'avant.

Économie d'énergie

Plusieurs actions peuvent vous aider à minimiser la consommation d'énergie.

- Améliorer l'isolation de la résidence. Calfeutrer les portes et fenêtres. Fermer le conduit de fumée de la cheminée.
- Fermer les stores ou rideaux au côté ensoleillé de la résidence. Ajouter des auvents aux fenêtres.
- Veiller à ce que des rideaux ou meubles ne puissent pas entraver la circulation de l'air pulsé par le climatiseur.
- Éteindre toute lampe ou tout appareil ménager non utilisé.
- Aérer le grenier. Une température élevée dans le grenier augmente la charge de refroidissement du climatiseur.
- Essayer de n'utiliser aucun appareil générateur de chaleur pendant la période la plus chaude de la journée.
- Maintenir fermées les bouches de chaleur et orifices d'entrée d'air froid.
- Faire fonctionner la hotte d'évacuation pendant les opérations de cuisson et de lavage de linge, ou lors de bains.

Bruits normaux de fonctionnement

Lorsque le climatiseur fonctionne normalement, on peut percevoir certains bruits comme :

- Chute de gouttes d'eau qui tombent sur le condenseur avec un son caractéristique. Les gouttelettes d'eau contribuent au refroidissement du condenseur.
- Mouvement de l'air sous l'effet du ventilateur.
- Déclics émis par le thermostat.
- Vibrations ou bruits imputables à une médiocre construction du mur ou de la fenêtre.
- Bourdonnements à fréquence élevée ou pulsations, imputables aux opérations de mise en marche et d'arrêt du compresseur à haute efficacité.

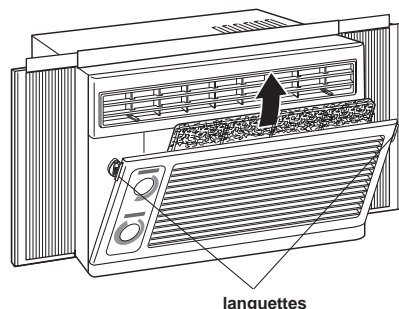
Entretien du climatiseur

Votre nouveau climatiseur est conçu pour vous donner de nombreuses années de service fiable. Cette section vous décrit le nettoyage et l'entretien appropriés de votre climatiseur. Contactez un marchand local autorisé pour un examen annuel. N'oubliez pas que le coût de ce service est à vos frais.

Nettoyage du filtre à air

Le filtre à air du climatiseur est amovible, ce qui facilite le nettoyage. Un filtre propre retient les particules de poussière, la charpie et d'autres débris en suspension dans l'air, et joue un rôle important pour le meilleur refroidissement et un fonctionnement efficace. Inspecter le filtre toutes les deux semaines pour déterminer si un nettoyage est nécessaire. Ne pas faire fonctionner le climatiseur lorsque le filtre n'est pas en place.

1. Débrancher le climatiseur ou interrompre l'alimentation électrique.
2. Saisir les languettes d'un côté et l'autre de la porte du filtre et retirer la porte vers l'avant.
3. Retirer le filtre à air de l'arrière de la grille.
4. Laver le filtre à air à l'eau tiède 40°C (104°F). Ne pas laver le filtre à air dans un lave-vaisselle ni utiliser un produit de nettoyage chimique. **Faire sécher parfaitement le filtre à air avant de le réinstaller, pour assurer son efficacité maximale.**
5. Réinstaller le filtre à air derrière la porte du filtre.
6. Fermer la porte du filtre
7. Brancher le climatiseur ou rétablir le courant électrique.



Nettoyage du climatiseur

1. Débrancher le climatiseur ou interrompre l'alimentation électrique.
2. Laver le panneau avant de la caisse avec de l'eau tiède et un savon ou détergent doux. Utiliser un chiffon doux.
3. Rincer le tableau de commande et bien le sécher avec un chiffon doux sec.
4. Vous pouvez utiliser une cire liquide pour appareils ménagers pour polir la caisse.
5. Brancher le climatiseur ou rétablir le courant électrique.

Pour assurer une efficacité élevée continue, vérifier les serpentins du condenseur (à l'extérieur du climatiseur) périodiquement et les nettoyer s'ils sont obstrués ou encrassés.

Réparation de la peinture

Inspecter l'appareil une fois ou deux par an pour identifier les dommages à la peinture, s'il y a lieu. Ceci est très important, particulièrement dans des régions proches de l'océan ou lorsque la rouille peut présenter un problème. Le cas échéant, faire des retouches avec une peinture émail de bonne qualité.

REMARQUE : Pour minimiser la détérioration de la peinture pendant l'hiver, installer sur la caisse du climatiseur une housse robuste. Pour des renseignements concernant la commande de la housse de protection, voir la page 8.

Dépannage

Il est facile de résoudre des problèmes simples qui peuvent affecter un climatiseur, ce qui évite d'appeler un dépanneur. Essayez les suggestions ci-dessous pour déterminer si vous pouvez résoudre un éventuel problème sans aide extérieure.

Le climatiseur ne fonctionne pas

Vérifier si ...	Action ...
Le cordon électrique est débranché.	Brancher fermement le cordon électrique dans une prise de courant active de tension correcte.
Un fusible est grillé ou un disjoncteur est ouvert.	Remplacer le fusible grillé ou réarmer le disjoncteur. Vérifier que le climatiseur est branché sur une prise de courant convenablement reliée à la terre, comme c'est indiqué dans les instructions d'installation.
Il y a une panne d'électricité locale.	Attendre le rétablissement du courant.

Destruction de fusibles ou ouverture de disjoncteurs

Vérifier si ...	Action ...
De trop nombreux appareils sont branchés sur le même circuit.	Débrancher des appareils ou les brancher sur d'autres circuits.
L'utilisation de fusibles temporisés ou de disjoncteur est de capacité incorrecte.	Installer un fusible temporisé de 15 A ou un disjoncteur de capacité correcte. Voir la section « Spécifications électriques » dans les instructions d'installation pour la capacité correcte.
Une rallonge est utilisée.	Ne pas utiliser une rallonge pour alimenter cet appareil ou tout autre appareil.
Vous essayez de mettre en marche le climatiseur trop tôt après l'avoir arrêté.	Attendre au moins 3 minutes après l'arrêt du ventilateur avant d'essayer de remettre le climatiseur en marche.

Le climatiseur semble fonctionner trop longtemps

Vérifier si ...	Action ...
Ce climatiseur remplace un modèle plus ancien.	Du fait de l'utilisation de composants plus efficaces, il est possible que le climatiseur fonctionne pendant de plus longues périodes que l'ancien modèle, mais la consommation totale d'énergie sera moindre. Les nouveaux climatiseurs ne projettent pas un puissant jet d'air froid comme les anciens modèles, mais ceci n'indique PAS une réduction de la capacité de refroidissement ou de l'efficacité. Voir l'indice d'efficacité (EER) et l'indice de capacité (en BTU/h) indiqués sur le climatiseur.
Le climatiseur est installé dans une pièce très achalandée, ou dans laquelle des appareils générateurs de chaleur sont utilisés.	Utiliser les ventilateurs d'évacuation de l'air pendant les opérations de cuisson ou les bains, et essayer de ne pas utiliser d'appareils générateurs de chaleur pendant les périodes les plus chaudes de la journée. Il peut être nécessaire de choisir un climatiseur de plus grande capacité, selon l'espace de la pièce à refroidir.

Le climatiseur se met en marche et s'arrête trop souvent, ou ne refroidit pas la pièce.

Vérifier si ...	Action ...
Le climatiseur est de capacité incorrecte pour la pièce.	Vérifier la capacité de refroidissement du climatiseur. Les climatiseurs pour une seule pièce ne sont pas conçus pour refroidir plusieurs pièces.
Le filtre est encrassé ou obstrué par des débris.	Nettoyer le filtre. Voir page 5.
Les surfaces de l'évaporateur interne et du condenseur externe sont sales ou obstruées par des débris.	Nettoyer la surface interne de l'évaporateur et la surface externe du condenseur. Voir page 5.
Une quantité excessive de chaleur ou d'humidité (cuisson dans des contenants sans couvercle, douches, etc.) existe dans la pièce.	Utiliser un ventilateur pour extraire la chaleur ou l'humidité de la pièce. Essayer de ne pas utiliser un appareil générateur de chaleur pendant les périodes les plus chaudes de la journée.
Les jalousies sont obstruées.	Installer le climatiseur à un endroit où les jalousies ne seront pas obstruées par des rideaux, stores, meubles, etc.
La température à l'extérieur est au-dessous de 18°C (65°F).	Ne pas essayer de faire fonctionner le climatiseur lorsque la température extérieure est au-dessous de 18°C (65°F).
La température est très élevée dans la pièce à refroidir.	Laisser le climatiseur fonctionner pendant une plus longue période pour qu'il puisse refroidir une pièce très chaude.
Les portes ou fenêtres sont ouvertes sur l'extérieur.	Fermer toutes les portes et fenêtres.
Le point de réglage de la température n'est pas à un réglage assez froid.	Régler le point de réglage de la température à un réglage plus froid. Régler la VITESSE DU VENTILATEUR à TURBO.
Le climatiseur est installé sur le côté ensoleillé de la maison.	Installer le climatiseur dans une fenêtre plus à l'ombre.

Écoulement d'eau de la caisse dans la maison

Vérifier si...	Action ...
Le climatiseur n'est pas de niveau correct. Le climatiseur devrait être légèrement incliné vers le bas et vers l'extérieur.	Vérifier le niveau du climatiseur pour qu'il soit incliné (une demi-longueur de bulle sur un niveau) vers le bas et vers l'extérieur pour qu'il y ait un bon écoulement de l'eau. Voir les Instructions d'installation. Repositionner ou caler la caisse selon le besoin. REMARQUE : Ne PAS percer un trou au fond de la base métallique et dans le plateau à condensat.

Commande d'accessoires

Vous pouvez commander les accessoires suivants pour le climatiseur, d'un marchand local autorisé ou en composant le **1-800-253-1301** de partout aux É.-U. Vous entendrez un message enregistré. Suivre les instructions pour placer une commande.

Filtres à air de remplacement

Un bon filtre à air propre et en bon état joue un rôle important pour obtenir le meilleur refroidissement avec le moins de consommation d'énergie. Il convient de nettoyer le filtre à air à intervalles réguliers. Voir les instructions de nettoyage à la page 5. On suggère que le filtre à air soit remplacé une fois par an.

Ensembles d'installation

Un ensemble d'installation standard est fourni avec le climatiseur. Ces trousseaux d'installation spéciales sont disponibles :

- Ensemble de brides pour appui extérieur
- Ensemble pour fenêtre large

Housse robuste

Si vous décidez de laisser votre climatiseur installé pendant l'hiver, une housse de protection robuste aidera à protéger votre climatiseur et à réduire les courants d'air. La housse protège contre le passage de l'air froid à travers l'appareil, et protège la caisse contre la neige, la pluie, la grêle, la rouille et la poussière.

Pour obtenir une housse robuste de taille adaptée à celle du climatiseur, commander la pièce no 484069.

Demande d'assistance ou de service

Pour éviter des appels de service inutiles, consulter la section « Dépannage ». Cette action peut vous faire économiser le coût d'un appel de service. Si vous avez encore besoin d'aide, suivre les instructions ci-dessous.

Si vous avez besoin d'assistance ou de service

Téléphoner au Centre d'interaction avec la clientèle en composant le numéro sans frais : 1-800-253-1301. Nos consultants sont disponibles pour vous aider.



Lors de l'appel, veuillez connaître la date d'achat, et les numéros au complet de modèle et de série de votre appareil (voir la section « Note à l'utilisateur ». Ces renseignements nous aideront à mieux répondre à votre demande.

Nos consultants fournissent l'assistance pour :

- Caractéristiques et spécifications sur toute notre gamme d'appareils électroménagers.
- Renseignements d'installation
- Procédés d'utilisation et d'entretien.

- Vente de pièces de rechange et accessoires
- Assistance spécialisée aux consommateurs (langue espagnole, malentendants, malvoyants, etc.)
- Les références aux marchands, compagnies de service de réparation et distributeurs de pièces de rechange locaux.

Nos techniciens sont formés pour remplir la garantie des produits et fournir le service après la garantie partout aux États-Unis.

Pour localiser la compagnie de service autorisée dans votre région, vous pouvez consulter les Pages jaunes de votre annuaire téléphonique.

Si vous avez besoin de pièces de rechange

Si vous avez besoin de commander des pièces de rechange, nous vous recommandons d'utiliser uniquement des pièces d'origine autorisées. Ces pièces conviendront et fonctionneront bien parce qu'elles sont fabriquées selon les mêmes spécifications précises utilisées pour construire chaque nouvel appareil.

Pour localiser les pièces d'origine autorisées dans votre région, téléphoner à notre Centre d'interaction avec la clientèle, votre centre de service autorisé le plus proche, ou le service de l'usine en composant le 1-800-442-1111.

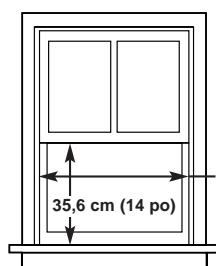
Instructions d'installation

IMPORTANT :

- **Installateur** : Remettez les instructions d'installation au propriétaire.
- **Propriétaire** : Conservez les instructions d'installation pour consultation ultérieure.
- **Conservez** les instructions d'installation pour l'inspecteur local des installations électriques.

IMPORTANT:
Lire et conserver ces instructions.

Emplacement



Dimensions de l'ouverture dans la fenêtre

55,9 cm - 91,4 cm
(22 po - 36 po)

35,6 cm (14 po)

⚠ AVERTISSEMENT

Risque de poids excessif

Utiliser deux personnes ou plus pour déplacer et installer le climatiseur.

Le non-respect de cette instruction peut causer une blessure au dos ou d'autres blessures.

Important : Respecter les prescriptions de tous les codes et règlements en vigueur.

Inspecter l'emplacement où le climatiseur sera installé; c'est au propriétaire qu'incombe la responsabilité d'une installation appropriée. S'assurer que tout le matériel nécessaire pour une installation correcte est disponible.

L'emplacement d'installation devrait fournir :

- **Prise de courant électrique reliée à la terre** située à moins de 122 cm (4 pi) de l'emplacement d'installation (fenêtre, ou ouverture murale). Ne pas utiliser un câble de rallonge électrique.

- **Circulation libre de l'air** jusqu'aux pièces à refroidir.

- **Ouverture de taille suffisante pour l'installation du climatiseur.**

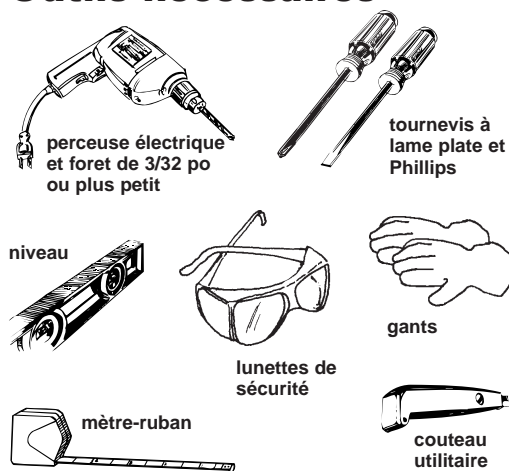
Largeur minimum d'ouverture 55,9 cm (22 po)
maximum jusqu'à 91,4 cm (36 po).

Hauteur minimum d'ouverture 35,6 cm (14 po).

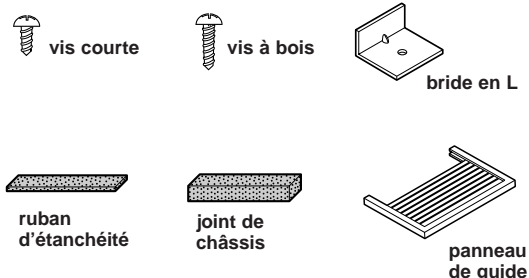
- **Support mural adéquat** pour le poids du climatiseur. Le poids du climatiseur pèse entre 40,8 et 80,7 kg (90 à 178 lb).

Ne pas installer le climatiseur à un emplacement où le panneau avant serait exposé à des sources de chaleur susceptibles de porter la température du panneau avant à plus de 50°C (120°F).

Outils nécessaires



Pièces fournies



Spécifications électriques

⚠ AVERTISSEMENT



Risque de choc électrique

Brancher l'appareil uniquement sur une prise à 3 alvéoles reliée à la terre.

Ne pas enlever la broche de liaison à la terre.

Ne pas utiliser un adaptateur.

Ne pas utiliser un câble de rallonge.

Le non-respect de ces instructions peut causer un décès, un incendie ou un choc électrique.

Aux É.-U. seulement : Si un conducteur distinct de liaison à la terre est utilisé lorsque les codes le permettent, on recommande qu'un électricien qualifié vérifie la qualité de la liaison à la terre.

En cas de doute quant à la qualité de la liaison à la terre de cet appareil, contacter un électricien qualifié.

L'appareil doit être alimenté par un circuit indépendant à 3 fils (monophasé, 60 Hz, CA seulement). Voir la plaque signalétique du modèle et de la série pour l'ampérage de circuit requis pour votre modèle spécifique.

Un fusible temporisé ou un disjoncteur est requis. Utiliser uniquement des conducteurs de cuivre.

On trouve le numéro de modèle et le numéro de série sur la plaque signalétique derrière le panneau avant sur la caisse. Cette plaque signalétique indique la capacité thermique (BTU), les caractéristiques électriques et la charge de réfrigérant à utiliser.

Méthode de liaison à la terre recommandée

Pour la sécurité personnelle des utilisateurs, il faut que cet appareil soit relié à la terre. Ce climatiseur est alimenté par un cordon électrique comportant une fiche de branchement à 3 broches, pour liaison à la terre. Pour minimiser le risque de choc électrique, brancher le cordon d'alimentation sur une prise de courant murale compatible à 3 alvéoles, reliée à la terre conformément aux prescriptions de tous les codes et règlements locaux en vigueur. Si une prise de courant compatible avec la fiche de branchement à 3 broches reliée à la terre n'est pas disponible, c'est au client qu'incombe l'obligation de faire installer une prise de courant murale à 3 alvéoles convenablement reliée à la terre, par un électricien qualifié.

C'est au client qu'incombe la responsabilité de :

- Contacter un électricien qualifié.
- S'assurer que l'installation électrique soit réalisée adéquatement et en conformité avec les prescriptions du Code national des installations électriques, ANSI/NFPA 70 (dernière édition*), et de tous les codes et règlements locaux.

On peut obtenir des exemplaires des normes mentionnées à l'adresse suivante :

* National Fire Protection Association
Batterymarch Park
Quincy, Massachusetts 02269.

Fiche de branchement et cordon d'alimentation électrique



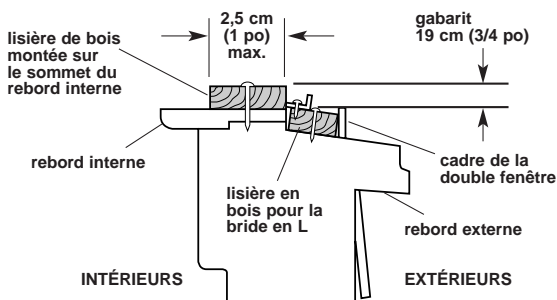
- 115 V (103,5 min. – 126,5 max.)
- 0-12 A
- 15 A Disjoncteur ou fusible temporisé, 15 A
- Câblage de calibre 14 (cuivre)

Préparation de la fenêtre

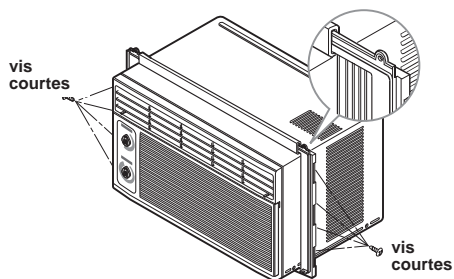
Si le cadre d'une double fenêtre entrave le climatiseur, fixer une lisière en bois de largeur de 5 cm (2 po) au rebord intérieur de la fenêtre, à travers toute la largeur du rebord. La lisière en bois devra être assez épaisse pour élever la hauteur du rebord de fenêtre de sorte que l'on puisse installer le climatiseur sans éprouver de l'interférence du cadre de la double fenêtre, de sorte que la condensation d'eau s'écoule bien vers l'extérieur.

Remarque : Si la distance entre le cadre de la double fenêtre et la lisière de bois montée sur le rebord intérieur dépasse de 2,5 cm (1 po), la lisière en bois pour les rebords externes de la fenêtre (décrit à la colonne de droite) n'est pas nécessaire.

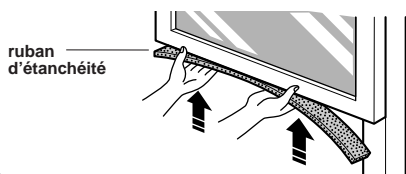
Ajouter une deuxième lisière de bois, environ 15,2 cm x 3,8 cm x 5 cm (6 po x 1 1/2 po x 2 po) au centre du rebord externe de la fenêtre, en effleurement à l'arrière du rebord interne de la fenêtre. Cette lisière de bois élèvera les brides en L pour tenir le climatiseur bien en place.



Installation

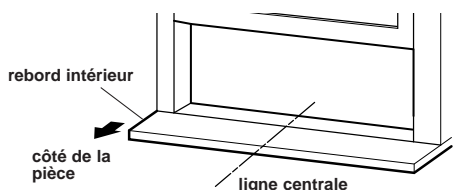


1. Insérer les panneaux de guide dans les guides du climatiseur.
2. Fixer les rideaux au climatiseur avec des vis courtes.

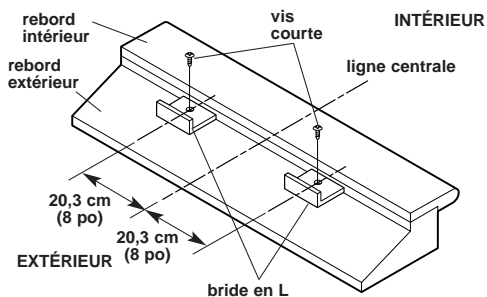


3. Couper le ruban d'étanchéité adhésif selon la largeur de la fenêtre. Enlever l'endos du ruban de fixation. Fixer le ruban à la base de la fenêtre.

Remarque : tenir fermement le climatiseur pour l'empêcher de tomber hors de l'ouverture durant l'installation.



4. Ouvrir la fenêtre et marquer la ligne centrale du rebord intérieur.



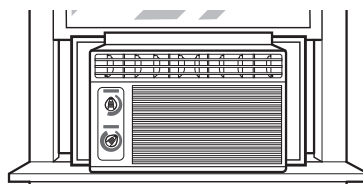
5. Fixer une bride en L à 20,3 cm (8 po) d'un côté et l'autre de la ligne centrale, en effleurement à l'arrière du rebord intérieur de la fenêtre, avec le côté court de la bride en position verticale. Les brides tiendront le climatiseur en place. Utiliser 2 vis courtes.

⚠ AVERTISSEMENT

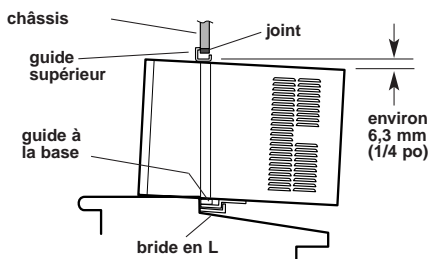
Risque de poids excessif

Utiliser deux personnes ou plus pour déplacer et installer le climatiseur.

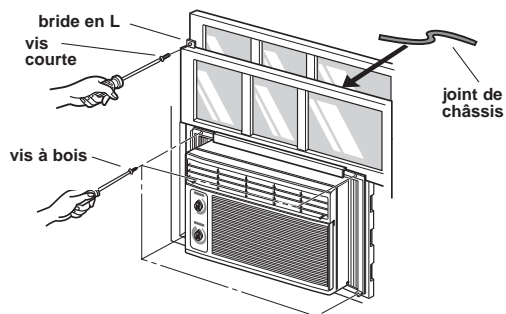
Le non-respect de cette instruction peut causer une blessure au dos ou d'autres blessures.



6. Soulever prudemment le climatiseur et le glisser dans la fenêtre ouverte. S'assurer que le guide à la base du climatiseur repose dans la bride en L. S'assurer que le climatiseur est centré dans la fenêtre de droite à gauche.



7. Abaisser le rebord de la fenêtre en arrière du guide supérieur du climatiseur. S'assurer que le climatiseur est incliné vers l'arrière comme à l'illustration.



8. Prolonger le panneau de guide pour remplir l'ouverture de la fenêtre. Utiliser 4 vis à bois.
9. Insérer le ruban d'étanchéité à l'arrière du châssis de la fenêtre inférieure et contre la vitre de la fenêtre supérieure.
10. Fixer la bride en L en utilisant une vis courte.

Enlèvement du climatiseur de la fenêtre

AVERTISSEMENT

Risque de poids excessif

Utiliser deux personnes ou plus pour déplacer et installer le climatiseur.

Le non-respect de cette instruction peut causer une blessure au dos ou d'autres blessures.

1. Fermer le climatiseur et débrancher le cordon d'alimentation électrique.
2. Enlever les brides en L et les vis installées à travers les panneaux du sommet et de la base des panneaux du guide. Conserver pour la réinstallation.
3. Fermer les panneaux de guide.
4. Soulever le rebord de la fenêtre et incliner soigneusement le climatiseur vers l'arrière pour vider tout condensat d'eau à la base.
5. Soulever le climatiseur de la fenêtre et enlever les rubans d'étanchéité entre les fenêtres.

Garantie

DURÉE DE LA GARANTIE	WHIRLPOOL PAIERA POUR
GARANTIE COMPLÈTE DE UN AN À COMPTER DE LA DATE D'ACHAT (tous les modèles)	Pièces de rechange et main-d'œuvre de réparation pour l'élimination des vices de matériau ou de fabrication. Les travaux doivent être exécutés par un établissement d'entretien désigné par Whirlpool.
GARANTIE COMPLÈTE DE CINQ ANS À COMPTER DE LA DATE D'ACHAT (modèles avec ventilateur à 3 vitesses seulement)	Pièces de rechange et main-d'œuvre de réparation pour l'élimination des vices de matériau ou de fabrication dans le système de réfrigération scellé. Il s'agit des composants suivants : <ol style="list-style-type: none"> 1. Compresseur 2. Évaporateur 3. Condenseur 4. Module d'assèchement 5. Tube de raccordement Les travaux doivent être exécutés par un établissement d'entretien désigné par la compagnie.
WHIRLPOOL NE PAIERA PAS POUR	
A. Visite d'un dépanneur pour : <ol style="list-style-type: none"> 1. Rectifier l'installation du climatiseur . 2. Expliquer à l'utilisateur comment faire fonctionner le climatiseur. 3. Remplacer les fusibles ou rectifier le câblage électrique de la résidence. 4. Nettoyer ou remplacer le filtre à air. B. Enlèvement et livraison. Le climatiseur est conçu pour être réparé sur place. C. Dommages subis par l'appareil et imputables à accident, mésusage, incendie, inondation, désastre naturel, ou utilisations de produits non mentionnés dans ce manuel. D. Enlèvement et réinstallation du climatiseur, s'il a été installé en hauteur à un emplacement inaccessible ou s'il n'a pas été installé conformément aux instructions d'installation publiées. E. Réparations de composants ou systèmes imputables à des modifications non autorisées effectuées sur l'appareil. F. Coûts des pièces de rechange ou de la main-d'œuvre de réparation pour des appareils utilisés hors des États-Unis ou du Canada.	

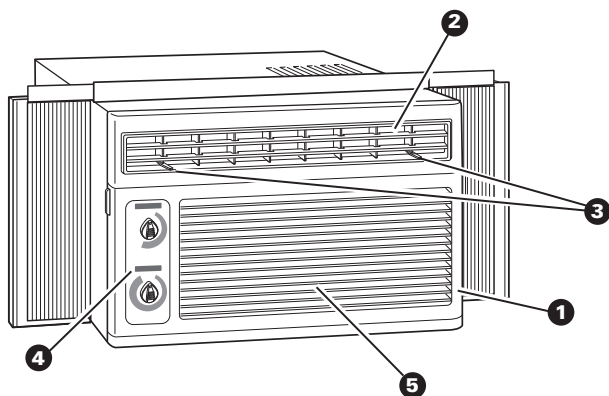
WHIRLPOOL CORPORATION DÉCLINE TOUTE RESPONSABILITÉ AU TITRE DE DOMMAGES SECONDAIRES OU INDIRECTS. Certaines provinces ou États n'admettent pas l'exclusion ou la limitation des dommages secondaires ou indirects; par conséquent, cette limitation ou exclusion peut ne pas vous être applicable. Cette garantie vous confère des droits juridiques spécifiques; vous pouvez également jouir d'autres droits, variables d'une province à une autre ou d'un État à un autre.

Hors des États-Unis et du Canada, une garantie différente peut être applicable. Pour de plus amples détails, contacter votre marchand autorisé.

Si une assistance est nécessaire, consulter d'abord la rubrique « Dépannage » dans cette brochure. Après avoir consulté la rubrique « Dépannage », on peut également trouver de l'information utile à la section « Demande d'assistance ou de service » ou bien par téléphone au Centre d'assistance aux consommateurs Whirlpool, en composant le 1-800-253-1301, de tout endroit aux États-Unis. Pour le service au Canada voir « Si vous avez besoin d'assistance ou de service au Canada » dans votre Guide d'utilisation et d'entretien pour la succursale de service dans votre région.

Manual de Uso y Cuidado e Instrucciones de Instalación

CROSLEY®



1. Panel Delantero
2. Rejillas de Aire
3. Tablillas de Dirección de Aires
4. Panel de Control
5. Filtro

**ACONDICIONADOR
DE AIRE**

¿Tiene alguna pregunta sobre las características, operación / desempeño, partes, accesorios o servicio?

Llame al 1-800-253-1301
www.whirlpool.com

4380702

© 2000 Todos los derechos reservados

Impreso en los EE.UU.

Contenido

Manual de Uso y Cuidado

	Página
Una nota para usted	2
Seguridad del acondicionador de aire	3
Instrucciones importantes de seguridad	3
Cómo usar su acondicionador de aire	4
Cómo poner en marcha su acondicionador de aire	4
Cómo cambiar la dirección del aire	4
Ahorro de energía	4
Ruidos normales de operación	4
Cómo cuidar su acondicionador de aire	5
Limpieza del filtro de aire	5
Limpieza del acondicionador de aire	5
Reparación de la pintura dañada	5
Diagnóstico de problemas	6
Cómo ordenar accesorios	8
Cómo solicitar ayuda o servicio técnico	8

Instrucciones de Instalación

	Página
Ubicación	9
Herramientas necesarias	9
Piezas suministrada	9
Requisitos eléctricos	10
Preparación de la ventana	10
Instalación	11
Garantía	12

Una Nota para Usted

Gracias por seleccionar este aparato.

Para asegurar que este aparato funcione durante muchos años sin problemas, hemos diseñado este Manual de Uso y Cuidado. Contiene valiosa información sobre cómo operar y dar mantenimiento a su aparato debidamente y sin peligro. Por favor, léalo detenidamente. Asimismo, llene por favor y envíe por correo la Tarjeta de Registro del Producto que viene con su aparato. Esta tarjeta nos ayudará a notificarle cualquier información nueva sobre su aparato.

Por favor anote la información sobre su modelo.

Siempre que llame para solicitar servicio del aparato, necesitará tener a mano el número del modelo y el número de serie completos. Esta información la encuentra en la placa de número del modelo y número de serie. (Ver la ubicación del número del modelo y del número de serie en las Instrucciones de Instalación).

Por favor anote la información sobre el número del modelo y el número de serie que se incluye a continuación. Anote también la fecha de compra del aparato, así como el nombre, la dirección y el teléfono de la tienda.

Número del modelo _____

Número de serie _____

Fecha de compra _____

Nombre de la tienda _____

Dirección de la tienda _____

Teléfono de la tienda _____

Guarde este manual y la nota de compra juntos, en un lugar seguro para referencia futura.

Seguridad del acondicionador de aire

Su seguridad y la seguridad de los demás es muy importante.

Hemos incluido muchos mensajes importantes de seguridad en este manual y en su electrodoméstico. Lea y obedezca siempre todos los mensajes de seguridad.



Este es el símbolo de advertencia de seguridad.

Este símbolo le llama la atención sobre peligros potenciales que pueden ocasionar la muerte o una lesión a usted y a los demás.

Todos los mensajes de seguridad irán a continuación del símbolo de advertencia de seguridad y de la palabra "PELIGRO" o "ADVERTENCIA". Estas palabras significan:

PELIGRO

Si no sigue las instrucciones de **inmediato**, usted puede morir o sufrir una lesión grave.

ADVERTENCIA

Si no sigue las instrucciones, usted puede morir o sufrir una lesión grave.

Todos los mensajes de seguridad le dirán el peligro potencial, le dirán cómo reducir las posibilidades de sufrir una lesión y lo que puede suceder si no se siguen las instrucciones.

INSTRUCCIONES IMPORTANTES DE SEGURIDAD

ADVERTENCIA: Para reducir el riesgo de incendio, choque eléctrico, lesiones personales o enfermedad cuando use su acondicionador de aire, siga estas precauciones básicas:

- Conecte el acondicionador de aire en un tomacorriente con conexión a tierra de tres terminales.
- No quite el terminal de conexión a tierra.
- No utilice un adaptador.
- No utilice un cable eléctrico de extensión.
- Desconecte el acondicionador de aire antes de darle mantenimiento o servicio.
- Se necesitan dos o más personas para mover o instalar el acondicionador de aire.
- No beba el agua acumulada dentro del gabinete.

— CONSERVE ESTAS INSTRUCCIONES —

Ayúdenos a ayudarle:

- Instale el acondicionador de aire en una ventana que soporte el peso y asegúrelo de acuerdo con las instrucciones de instalación.
- Conecte la unidad al tipo apropiado de tomacorriente con el suministro eléctrico correcto y puesta a tierra. (Ver las instrucciones de instalación).
- Asegúrese de que el acondicionador de aire tenga el tamaño correcto para el área que usted desea enfriar.
- Asegúrese de que las cortinas o los muebles no bloqueen el aire que sale del acondicionador de aire.
- Utilice la unidad únicamente para los fines para los que está diseñado un acondicionador de aire para ventana.
- Asegúrese de que la unidad sea usada únicamente por personas capacitadas para operarla debidamente.
- Dé a la unidad el mantenimiento debido.

Quite también la Etiqueta de Energía. Utilice un paño húmedo para eliminar cualquier resto de goma. NO use instrumentos afilados, líquidos inflamables o limpiadores abrasivos. Estos productos pueden dañar el acabado del acondicionador de aire.

Cómo usar su acondicionador de aire

Operar debidamente su acondicionador de aire le ayuda a obtener los mejores resultados posibles. Esta sección le explica cómo operar su acondicionador de aire debidamente.

IMPORTANTE:

- Si usted apaga el acondicionador de aire, espere por lo menos 3 minutos antes de volver a ponerlo en marcha. De lo contrario se puede quemar un fusible o disparar un disyuntor de circuito.
- No trate de operar su acondicionador de aire en el modo de enfriamiento cuando la temperatura exterior sea menor de 18°C (65°F). El serpentín interior del evaporador se congelará y el acondicionador de aire no funcionará debidamente.

Cómo poner en marcha su acondicionador de aire

CONTROL DE VENTILACIÓN

Ponga el FAN CONTROL (“Control de ventilación”) en la posición que desee. Cuando el acondicionador de aire está funcionando a temperaturas LOW COOL, MED COOL (en algunos modelos) o TURBO COOL, el ventilador hace circular el aire continuamente.

LOW COOL – para dormir cómodo

MED COOL (en algunos modelos) – para enfriamiento normal

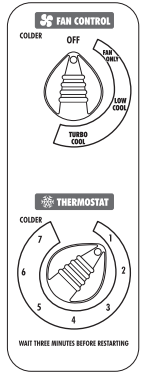
TURBO COOL – para enfriamiento máximo

FAN ONLY (“SÓLO VENTILACIÓN”)

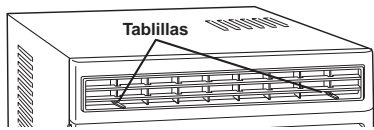
Cuando se selecciona el modo de FAN ONLY, el ventilador funciona continuamente para hacer circular el aire, pero no habrá enfriamiento.

THERMOSTAT (“TERMOSTATO”)

Ponga el Control del THERMOSTATO en una posición intermedia. Ajuste el funcionamiento del acondicionador de aire girando el Control del THERMOSTATO en la dirección de las manecillas del reloj (↻) para obtener el máximo nivel de enfriamiento. Para un nivel de enfriamiento menor, gire el Control del THERMOSTATO en dirección contraria a las manecillas del reloj (↺). Usted deberá experimentar hasta encontrar el ajuste que más le convenga.



Cómo cambiar la dirección del aire



Las rejillas en la parte superior del panel delantero, controlan la dirección del aire enfriado. Use las tablillas para dirigir el aire hacia arriba, hacia abajo, hacia la derecha, hacia la izquierda o derecho al frente.

Ahorro de energía

Usted puede hacer muchas cosas para ayudar a ahorrar energía.

- Mejore el aislamiento de su hogar. Selle las puertas y ventanas. Cierre el tiro de la chimenea.
- Cierre las persianas o cortinas en el lado soleado de su hogar. Coloque toldos.
- Asegúrese de que las cortinas o los muebles no bloqueen el aire que sale del acondicionador de aire.
- Apague las luces y los aparatos electrodomésticos cuando no los esté usando.
- Ventile el desván. Las temperaturas altas en el desván aumentan la carga de enfriamiento de su acondicionador de aire.
- Trate de no usar aparatos que producen calor en las horas más calurosas del día.
- Mantenga cerrados los registros de calor y las tomas de retorno del aire frío.
- Use ventiladores aspiradores cuando esté cocinando, lavando la ropa o bañándose.

Ruidos normales de operación

Cuando el acondicionador de aire está funcionando normalmente, usted podrá escuchar sonidos como:

- Gotas de agua que caen sobre el condensador, produciendo “tintineos” o “chasquidos”. Las gotas de agua ayudan a enfriar el condensador.
- El movimiento del aire que sale del ventilador.
- Chasquidos (“clicks”) del ciclo del termostato.
- Vibraciones o ruidos debidos a deficiencias en la construcción de la pared o ventana.
- Un zumbido agudo o un ruido pulsante producido por la alternación de los ciclos del moderno compresor de alta eficiencia.

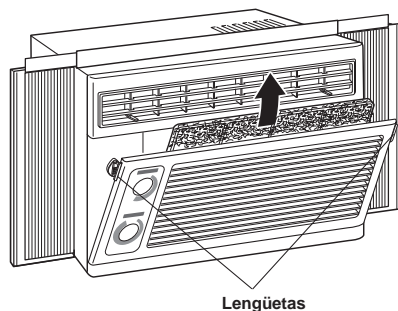
Cómo cuidar su acondicionador de aire

Su nuevo acondicionador de aire está diseñado para darle muchos años de servicio confiable. Esta sección le da la información acerca de la limpieza adecuada y el cuidado de su acondicionador de aire. Llame al vendedor autorizado de su localidad para un chequeo anual. Acuérdesse ... el precio de este servicio es su responsabilidad.

Limpieza del filtro de aire

El filtro de aire del acondicionador de aire se puede desmontar para facilitar su limpieza. Un filtro limpio ayuda a eliminar el polvo, las pelusas y otras partículas del aire, y es importante para que el aparato funcione y enfrie más eficientemente. Revise el filtro cada dos semanas para ver si necesita limpieza. No haga funcionar el acondicionador de aire si el filtro no está colocado en su lugar.

1. Desenchufe el acondicionador de aire o desconecte el suministro de energía.
2. Sujete las lengüetas en ambos lados de la puerta del filtro y jale la puerta hacia delante.
3. Saque el filtro detrás de la rejilla.
4. Limpie el filtro de aire con agua tibia a una temperatura de 40°C (104°F). No lave el filtro de aire en la máquina lavaplatos (lavavajillas) ni use limpiadores químicos. **Seque bien el filtro al aire antes de colocarlo nuevamente para asegurarse la máxima eficiencia.**
5. Vuelva a colocar el filtro de aire detrás de la puerta del filtro.
6. Cierre la puerta del filtro.
7. Enchufe el acondicionador de aire o vuelva a conectar el suministro de energía.



Limpieza del acondicionador de aire

1. Desenchufe el acondicionador o desconecte el suministro de energía.
2. Limpie el panel delantero y el gabinete con agua tibia y jabón o detergente suave. Use un paño suave.
3. Enjuague el panel de control y séquelo completamente con un paño suave.
4. Puede usar cera líquida para electrodomésticos para pulir el gabinete.
5. Enchufe el acondicionador de aire o vuelva a conectar el suministro de energía.

Para asegurar la continua alta eficiencia de la unidad, revise periódicamente los serpentines del condensador (fuera del acondicionador de aire) y límpielos si están atascados con hollín o mugre.

Reparación de la pintura dañada

Revise una o dos veces al año si hay daños en la pintura. Esto es muy importante, especialmente en lugares que están cerca de los océanos o donde la herrumbre es un problema. Si fuera necesario, retoque con un esmalte de buena calidad.

NOTA: para reducir el daño a la pintura durante el invierno, instale una cubierta resistente sobre el gabinete del acondicionador de aire. Para información sobre cómo pedir una cubierta, vea la página 8.

Diagnóstico de problemas

Usted puede resolver fácilmente muchos problemas frecuentes del acondicionador de aire ahorrándose el costo de una llamada de servicio. Pruebe las sugerencias que se incluyen a continuación para ver si puede resolver el problema sin ayuda.

Su acondicionador de aire no funciona.

Verifique si ...	Solución ...
El cable de alimentación eléctrica está desconectado.	Conecte firmemente el cordón de suministro de energía en un tomacorriente activo con el debido voltaje.
Se ha fundido un fusible o disparado un disyuntor.	Reemplace el fusible o reposicione el disyuntor. Asegúrese de que el acondicionador de aire esté conectado a un tomacorriente activo debidamente puesto a tierra como se describe en las instrucciones de instalación.
Se ha interrumpido la energía eléctrica en su localidad.	Espere a que se restablezca la energía eléctrica.

El acondicionador de aire funde los fusibles o dispara los disyuntores.

Verifique si ...	Solución ...
Se están usando muchos aparatos en el mismo circuito.	Desconecte o ponga en otro lugar los aparatos que estén usando el mismo circuito.
Se está usando un fusible de retardo o un disyuntor con la capacidad incorrecta.	Reemplácelo con un fusible de retardo de 15 amperes o un disyuntor con la capacidad correcta. Verifique la capacidad correcta en la sección de "Requisitos eléctricos" en las instrucciones de instalación.
Se está usando un cable eléctrico de extensión.	No use un cable eléctrico de extensión con este o cualquier otro aparato.
Usted está tratando de volver a poner en marcha el acondicionador de aire muy poco tiempo después de apagarlo.	Espere por lo menos 3 minutos después de apagar el acondicionador de aire, para volverlo a poner en marcha.

El acondicionador de aire parece que funciona excesivamente.

Verifique si ...	Solución ...
Su actual acondicionador de aire reemplazó un modelo viejo.	El uso de componentes más eficientes puede hacer que el acondicionador de aire funcione por más tiempo que su antiguo modelo, pero el consumo total de energía será menor. Los acondicionadores de aire más nuevos no emiten las ráfagas de aire frío a las que usted estaba acostumbrado con sus unidades anteriores, pero esto NO ES indicio de menor capacidad o eficiencia en el enfriamiento. Verifique el régimen de eficiencia (EER) y el régimen de capacidad (BTU/hr.) que se indican en el acondicionador de aire.
La unidad se encuentra en una habitación muy congestionada o se están usando en la misma habitación aparatos que generan calor.	Use ventiladores aspiradores cuando esté cocinando o bañándose y trate de no usar aparatos que generen calor durante las horas más calurosas del día. Podría necesitar un acondicionador de aire con más capacidad, dependiendo del tamaño de la habitación que se desea enfriar.

El acondicionador de aire se enciende y se apaga demasiado o no enfría la habitación en el modo de enfriamiento.

Verifique si ...	Solución ...
El acondicionador de aire no tiene el tamaño adecuado para su habitación	Verifique la capacidad de enfriamiento de su acondicionador de aire. Los acondicionadores de aire para habitaciones no están diseñados para enfriar varias habitaciones.
El filtro está sucio u obstruido por escombros	Limpie el filtro. Ver página 5.
El evaporador interno y los serpentines del condensador externo están sucios u obstruidos por escombros..	Limpie el evaporador interno y los serpentines del condensador externo. Ver página 5.
Hay demasiado calor o humedad (se está cocinando en recipientes abiertos, duchas, etc.) en la habitación.	Use un ventilador para eliminar el calor o la humedad de la habitación. Trate de no usar aparatos que generan calor durante las horas más calurosas del día.
Las rejillas están bloqueadas.	Instale el acondicionador de aire en un lugar donde las rejillas no estén bloqueadas por cortinas, persianas, muebles, etc.
La temperatura exterior es menor de 18°C (65°F).	No trate de poner en marcha el acondicionador de aire cuando la temperatura exterior sea inferior a los 18°C (65°F).
La temperatura de la habitación que está tratando de enfriar está demasiado caliente.	Deje pasar más tiempo para que el acondicionador de aire enfríe una habitación muy caliente.
Están abiertas ventanas o puertas que dan al exterior.	Cierre todas las puertas y ventanas.
El punto de ajuste de temperatura no está en una posición lo suficientemente fría.	Ajuste el punto de ajuste de la temperatura a una posición más fría. Ponga la FAN SPEED (Velocidad de ventilación) en TURBO.
El acondicionador de aire está instalado en el lado soleado de su casa.	Instale el acondicionador de aire en una ventana con más sombra.

Se filtra agua del gabinete a su casa.

Verifique si ...	Solución ...
El acondicionador de aire no está debidamente nivelado. El acondicionador de aire debe inclinarse ligeramente hacia abajo, hacia el exterior.	<p>Nivele el acondicionador de aire de manera que tenga una inclinación hacia abajo, hacia el exterior (1/2 nivel en un nivel de carpintero) para asegurar el debido desagüe. Vea las instrucciones de instalación. Mueva el gabinete o póngale un calce, según sea necesario.</p> <p>NOTA: NO perforo agujeros en la parte inferior de la base de metal y del colector de condensado.</p>

Cómo ordenar accesorios

Usted puede ordenar los siguientes accesorios para su acondicionador de aire en la tienda autorizada de aparatos electrodomésticos de su localidad, o llamando al **1-800-253-1301** desde cualquier parte de los EE.UU. Usted escuchará una grabación. Siga las instrucciones para hacer un pedido.

Filtros de aire de reemplazo

Un filtro de aire limpio y de buena calidad es importante para obtener el mejor enfriamiento con el menor consumo de energía. Limpie regularmente el filtro de aire. Vea las instrucciones de limpieza en la página 5. Le recomendamos cambiar su filtro de aire una vez al año.

Juegos de accesorios de instalación

Se incluye un juego de accesorios de instalación estándar con su acondicionador de aire. Están

disponibles los siguientes juegos de accesorios de instalación especiales:

- Juego de soporte para instalación en el marco de una ventana.
- Juego para instalación en ventana ancha.

Cubierta resistente

Si usted decide dejar instalado su acondicionador de aire durante el invierno, una cubierta resistente ayudará a proteger su aparato y reducir las corrientes de aire. La cubierta protege contra las corrientes de aire frío a través de los orificios de paso de aire de la unidad y protege el gabinete contra la nieve, la lluvia, el agua de nieve, la oxidación y el polvo.

Para obtener una cubierta resistente del tamaño adecuado para su acondicionador de aire, ordene la pieza # 484069.

Cómo solicitar ayuda o servicio técnico

Para evitar llamadas innecesarias solicitando servicio, revise la sección "Diagnóstico de problemas". Podría ahorrarle el costo de una llamada solicitando servicio. Si aún necesita ayuda, siga las siguientes instrucciones.

Si necesita ayuda o servicio técnico

Llame gratis al Centro de Interacción con el Cliente. Marque el 1-800-253-1301. Nuestros consultores están disponibles para ayudarlo.



Cuando llame, tenga a mano la fecha de compra y el número de modelo y el número de serie completos de su aparato electrodoméstico (ver la sección "Una nota para usted"). Esta información nos ayudará a atenderle mejor.

Nuestros consultores le proporcionan ayuda con:

- Características y especificaciones para nuestra línea completa de aparatos electrodomésticos.
- Información sobre instalación.
- Procedimientos de uso y mantenimiento.

- Ventas de accesorios y refacciones.
- Asistencia especializada al cliente (asistencia en español, para personas con problemas auditivos, problemas de la vista, etc.)
- Direcciones de vendedores, compañías de servicio y distribuidores de refacciones en su localidad.

Nuestros técnicos en servicio están capacitados para satisfacer la garantía del producto y proporcionar servicios posteriores a la garantía, en cualquier parte de los Estados Unidos.

Para localizar a una compañía de servicios autorizada en su área, puede buscar en las páginas amarillas de su Guía Telefónica.

Si necesita refacciones

Si necesita pedir refacciones, le recomendamos que utilice únicamente partes autorizadas por la fábrica. Estas partes se adaptarán y funcionarán correctamente porque han sido hechas siguiendo las mismas rigurosas especificaciones utilizadas para fabricar todos los nuevos aparatos electrodomésticos.

Para localizar partes autorizadas por la fábrica en su localidad, llame a nuestro Centro de Interacción con el Cliente, al centro de servicio más cercano o al Servicio de Fábrica 1-800-442-1111.

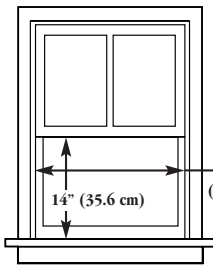
Instrucciones de instalación

Importante:

- **Instalador:** devuelva las instrucciones de instalación al propietario.
- **Propietario:** conserve estas instrucciones de instalación para referencia futura.
- **Conserve** estas instrucciones de instalación para uso del inspector eléctrico local.

Importante:
lea y conserve estas instrucciones.

Ubicación



Medidas de la
abertura de la
ventana

22" - 36"
(55.9 cm - 91.4 cm)

14" (35.6 cm)

⚠ ADVERTENCIA

Peligro de Peso Excesivo

Se necesitan dos personas o más para mover e instalar el acondicionador de aire.

No seguir esta instrucción puede ocasionar una lesión en la espalda u otra lesión.

Importante: observe todos los códigos y reglamentos aplicables.

Verifique el lugar donde se instalará el acondicionador de aire. La instalación correcta es su responsabilidad. Asegúrese de que usted tiene todo lo necesario para una instalación correcta.

El lugar debe proporcionar:

- **Tomacorriente puesto a tierra** a una distancia de menos de 122 cm (4 pies) de la ventana o de la ubicación a través de pared. No use cable eléctrico de extensión.
- **Libertad de movimiento del aire** a las habitaciones que desea enfriar.
- **Una abertura con la amplitud suficiente para el acondicionador de aire.**

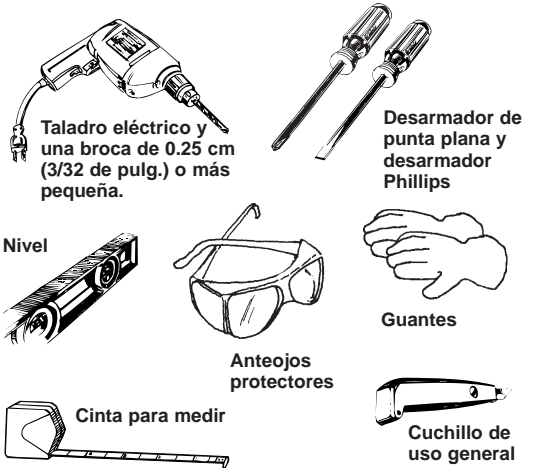
Una abertura con ancho mínimo 55.9 cm (22 pulg.) y máximo de 91.4 cm (36 pulg.).

Una abertura con altura mínima de 35.6 cm (14 pulg.).

- **Soposte adecuado en la pared** para el peso del acondicionador de aire. El acondicionador de aire pesa entre 40.8 y 80.7 kg (90 y 178 libras).

No instale el acondicionador de aire en un área donde el panel delantero quede expuesto a fuentes de calor que aumenten la temperatura de la superficie del panel a un nivel superior a los 50°C (120°F).

Herramientas necesarias



Taladro eléctrico y una broca de 0.25 cm (3/32 de pulg.) o más pequeña.

Desarmador de punta plana y desarmador Phillips

Nivel

Anteojos protectores

Guantes

Cinta para medir

Cuchillo de uso general

Piezas suministradas



Tornillo corto

Tornillo para madera

Soposte en "L"

Tira de obturación

Obturador de vidrieras

Panel guía

Requisitos eléctricos

⚠ ADVERTENCIA



Peligro de choque eléctrico

Conecte a un tomacorriente con conexión a tierra de tres terminales.

No retire el terminal de conexión a tierra.

No utilice un adaptador.

No utilice un cable eléctrico de extensión.

No seguir estas instrucciones puede ocasionar la muerte, un incendio o choque eléctrico.

Sólo en los EE.UU.: si las regulaciones lo permiten y se usa un cable a tierra separado, se recomienda que un electricista calificado determine que la conexión a tierra sea adecuada.

Consulte con un electricista calificado para asegurarse de que el acondicionador de aire esté debidamente puesto a tierra.

Se requiere un suministro eléctrico monofásico de tres alambres, 60 Hz, sólo de CA, en un circuito separado. Vea en la etiqueta de modelo y serie el amperaje de circuito requerido para su modelo específico.

Se requiere un fusible de retardo o un disyuntor. Use solamente alambre de cobre.

La etiqueta de modelo y serie se encuentra detrás del panel delantero en el gabinete. Esta etiqueta indica la capacidad BTU, el amperaje, el voltaje y los requerimientos de carga refrigerante.

Método recomendado para la puesta a tierra

Para su seguridad personal, este acondicionador de aire debe ser puesto a tierra. Este acondicionador de aire está equipado con un cordón de suministro eléctrico provisto de un enchufe con clavija tripolar de conexión a tierra. Para reducir a un mínimo el riesgo posible de un choque eléctrico, el cordón debe enchufarse en un tomacorriente mural con conexión a tierra de tres terminales, puesto a tierra de acuerdo con todos los códigos y reglamentos locales. Si no se dispone de un tomacorriente para clavija tripolar, es responsabilidad del cliente hacer instalar por un instalador eléctrico con licencia, un tomacorriente de tres terminales.

Es responsabilidad del cliente:

- Llamar a un instalador eléctrico calificado
- Asegurar que la instalación eléctrica es adecuada y que se ha hecho de conformidad con el Código Eléctrico Nacional, ANSI/NFPA 70, última edición*, y todos los códigos y reglamentos locales.

Pueden obtenerse copias de las normas señaladas del:

* National Fire Protection Association
Batterymarch Park
Quincy, Massachusetts 02269.

Cordón de suministro eléctrico y tomacorriente



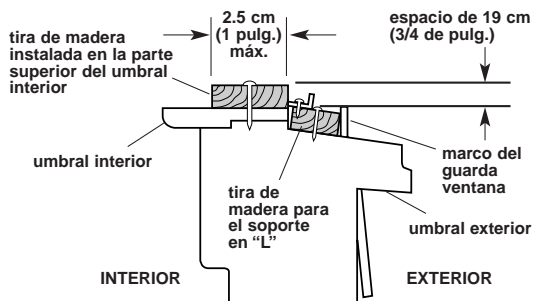
- 115 voltios (103.5 mín. - 126.5 máx.)
- 0-12 amperes
- Fusible de retardo o disyuntor de 15 amperes
- Cables de cobre calibre 14

Preparación de la ventana

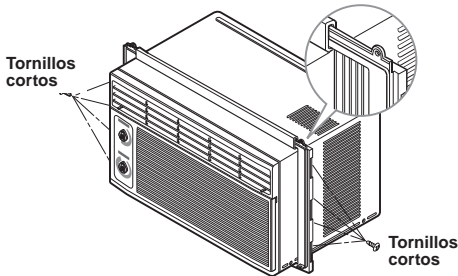
Si el marco del guardaventana interfiere con el acondicionador de aire, fije una tira de madera de 5 cm (2 pulg.) de ancho en el umbral interior de la ventana, a lo largo de todo el ancho del umbral. La tira de madera debe tener el suficiente espesor para levantar el alto del umbral de la ventana para poder instalar el acondicionador de aire sin interferencia del marco del guardaventana, de manera que el agua de condensación se desague debidamente al exterior.

Nota: si la distancia entre el marco del guardaventana y la tira de madera instalada en el umbral interior es mayor de 2.5 cm (1 pulg.), no es necesario instalar la tira de madera para el umbral de la ventana exterior (descrito en la columna derecha).

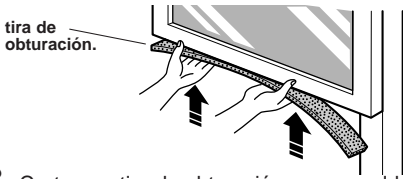
Fije una segunda tira de madera aproximadamente 15.2 cm x 3.8 cm x 5 cm (6 pulg. x 1-1/2 pulg. x 2 pulg.) en el centro del umbral exterior de la ventana, nivelada contra la parte trasera del umbral interior. Esta tira de madera levantará los soportes en "L" para mantener el acondicionador de aire asegurado en su lugar.



Instalación

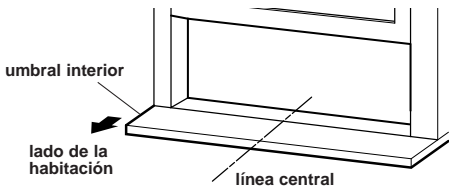


1. Inserte los paneles guía en las guías del acondicionador de aire.
2. Fije las cortinas al acondicionador de aire con los tornillos cortos.

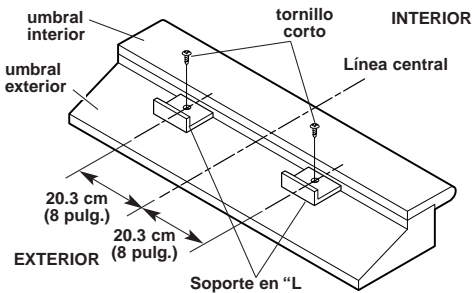


3. Corte una tira de obturación con respaldo adhesivo al ancho de la ventana. Quite el respaldo de la tira de obturación. Fije la tira de obturación a la parte inferior de la ventana.

Nota: sujete con firmeza el acondicionador de aire para evitar que se caiga de la abertura durante la instalación.



4. Abra la ventana y marque la línea central del umbral interior.



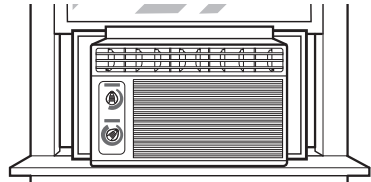
5. Fije un soporte en "L" de 20.3 cm (8 pulg.) a cualquiera de los lados de la línea central, nivelado contra la parte trasera del umbral interior de la ventana, con el lado corto del soporte en posición vertical. Los soportes ayudarán a mantener el acondicionador de aire en su lugar. Utilice 2 tornillos cortos.

ADVERTENCIA

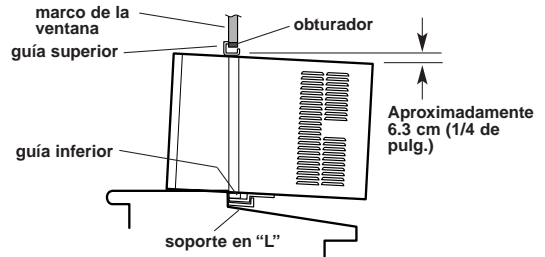
Peligro de Peso Excesivo

Se necesitan dos personas o más para mover e instalar el acondicionador de aire.

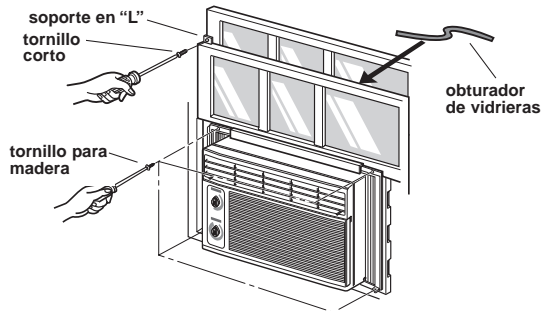
No seguir esta instrucción puede ocasionar una lesión en la espalda u otra lesión.



6. Con cuidado levante el acondicionador de aire y deslícelo hacia la ventana abierta. Asegúrese de que la guía inferior del acondicionador de aire se apoye en el soporte en "L". Asegúrese de que el acondicionador de aire esté centrado en la ventana, de derecha a izquierda.



7. Baje la vidriera de la ventana detrás de la guía superior del acondicionador de aire. Asegúrese de que el acondicionador de aire se incline hacia atrás, como se muestra.



8. Extienda los paneles guía para llenar la abertura de la ventana. Utilice 4 tornillos para madera.

9. Inserte el obturador de vidrieras de ventana de guillotina detrás del borde superior de la vidriera de la ventana inferior, contra el vidrio de la ventana superior.

10. Fije el soporte en "L" usando un tornillo corto.

Cómo quitar el acondicionador de aire de la ventana

⚠ ADVERTENCIA

Peligro de Peso Excesivo

Se necesitan dos personas o más para mover e instalar el acondicionador de aire.

No seguir esta instrucción puede ocasionar una lesión en la espalda u otra lesión.

- 1.** Apague el acondicionador de aire y desconecte el cordón de suministro eléctrico.
- 2.** Quite los soportes en "L" y los tornillos instalados a través de la parte superior y la parte inferior de los paneles guía. Guarde los soportes y los tornillos para usarlos al reinstalar la unidad.
- 3.** Cierre los paneles guía.
- 4.** Levante la vidriera de la ventana y con cuidado incline el acondicionador de aire hacia atrás para eliminar el agua condensada en la base.
- 5.** Levante el acondicionador de aire de la ventana y quite el obturador de vidrieras de entre las vidrieras.

Garantía

TÉRMINO DE LA GARANTÍA:	WHIRLPOOL PAGARÁ POR:
GARANTÍA COMPLETA POR UN AÑO DESDE LA FECHA DE COMPRA (Todos los modelos)	Refacciones y trabajos de reparación para corregir defectos en los materiales o mano de obra. El servicio debe ser proporcionado por una compañía de servicio designada por Whirlpool.
GARANTÍA COMPLETA POR CINCO AÑOS DESDE LA FECHA DE COMPRA (Modelos con 3 velocidades de ventilación)	Refacciones y trabajos de reparación para corregir defectos en los materiales o mano de obra en el sistema de refrigeración sellado. Estas piezas son: <ol style="list-style-type: none"> 1. Compresor 2. Evaporador 3. Condensador 4. Secador-Filtro 5. Tubos de conexión. El servicio debe ser proporcionado por una compañía de servicio designada.
WHIRLPOOL NO PAGARÁ POR:	
A. Llamadas de servicio para: <ol style="list-style-type: none"> 1. Corregir la instalación del acondicionador de aire. 2. Darle instrucciones sobre cómo usar el acondicionador de aire. 3. Reemplazar fusibles caseros o corregir las conexiones eléctricas en su casa. 4. Limpiar o reemplazar el filtro de aire. B. Recolección y entrega. Su acondicionador de aire ha sido diseñado para ser reparado en su hogar. C. Daños a su acondicionador de aire ocasionados por accidente, uso indebido, incendio, inundación, casos de fuerza mayor o uso de productos no mencionados en el Manual de Uso y Cuidado. D. La remoción o instalación de su acondicionador de aire si está instalado en lo alto o en cualquier otro lugar inaccesible o si no fue instalado de acuerdo con las instrucciones de instalación publicadas. E. Reparaciones a partes o sistemas debidas a modificaciones no autorizadas hechas al aparato electrodoméstico. F. Refacciones o costos de trabajos de reparación para unidades que funcionan fuera de los Estados Unidos o Canadá.	

WHIRLPOOL CORPORATION NO ASUME NINGUNA RESPONSABILIDAD POR DAÑOS INCIDENTALES O INDIRECTOS. Algunos estados o provincias no permiten la exclusión o limitación de daños incidentales o indirectos, por lo que esta exclusión o limitación podría no ser aplicable a su caso. Esta garantía le da derechos legales específicos, y usted podría tener otros derechos que varían de estado a estado o de provincia a provincia.

Una garantía diferente podría ser aplicable fuera de los Estados Unidos y Canadá. Para detalles, llame por favor a su distribuidor autorizado.

Si necesita servicio técnico, vea primero la sección de "Diagnóstico de problemas" de a Guía de Uso y Cuidado. Después de revisar la sección de "Diagnóstico de problemas", puede recibir ayuda adicional consultando la sección "Cómo solicitar ayuda o servicio técnico" o llamando al número de teléfono del Centro de Asistencia al Consumidor de Whirlpool, 1-800-253-1301, desde cualquier parte en los EE.UU. o Canadá.

Free Manuals Download Website

<http://myh66.com>

<http://usermanuals.us>

<http://www.somanuals.com>

<http://www.4manuals.cc>

<http://www.manual-lib.com>

<http://www.404manual.com>

<http://www.luxmanual.com>

<http://aubethermostatmanual.com>

Golf course search by state

<http://golfingnear.com>

Email search by domain

<http://emailbydomain.com>

Auto manuals search

<http://auto.somanuals.com>

TV manuals search

<http://tv.somanuals.com>