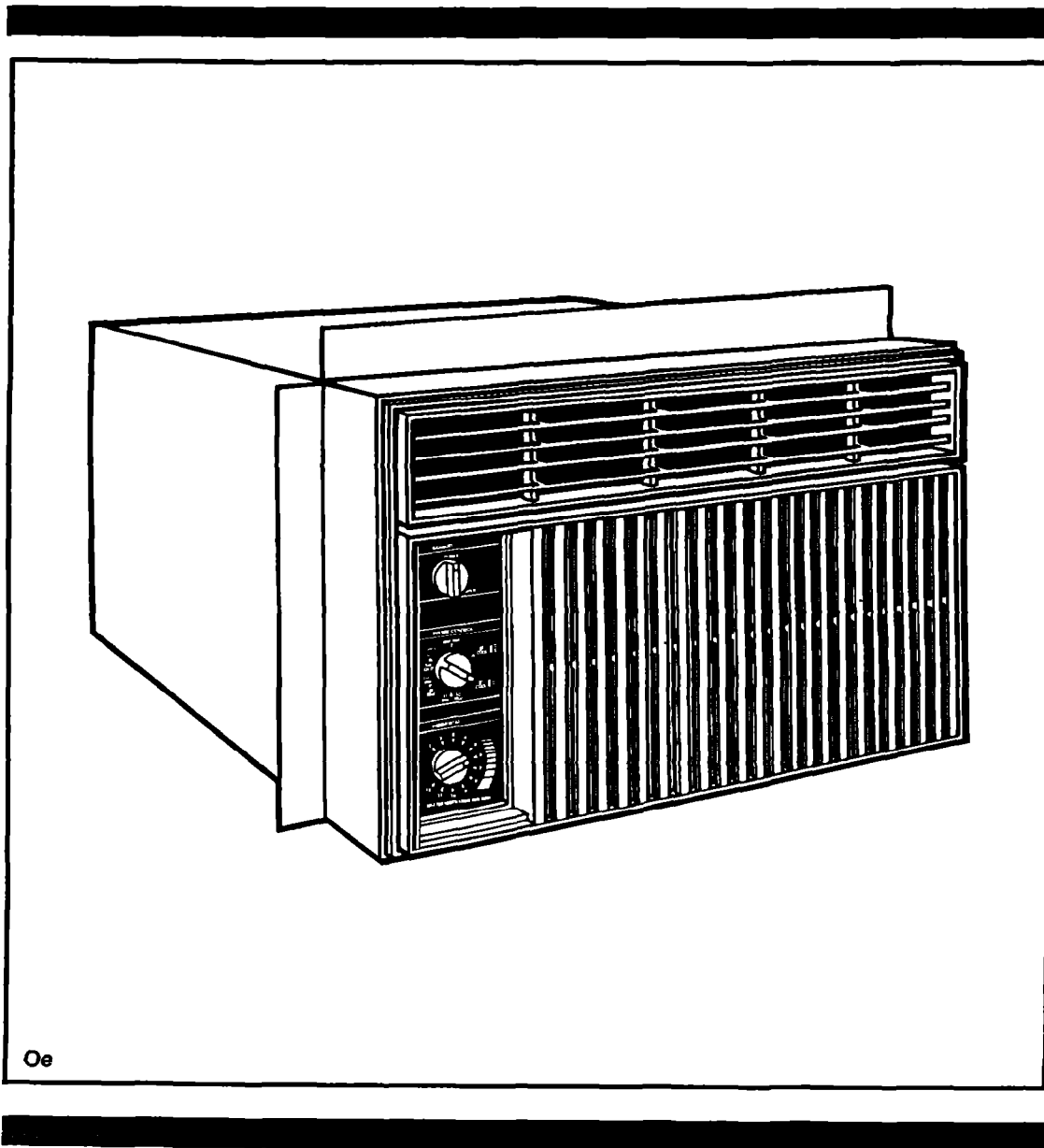


# ROOM AIR CONDITIONERS

# Use & Care Guide



# Contents

	Page
Important Safety Instructions .....	2
Operating Instructions .....	3
Starting your air conditioner .....	3
Using the HEAT settings .....	3
The exhaust vent control .....	4
Changing air direction .....	4
Cleaning Your Air Conditioner .....	5
Cleaning front panel and filter .....	5
Caring For Your Air Conditioner .....	6
Annual maintenance .....	6
Oiling the fan motor .....	7
Energy saving tips .....	7
If You Need Service Or Assistance .....	8
Warranty .....	12

Thank you for buying this appliance. Please complete and mail the Owner Registration Card provided with this product. Then complete the form below. Have this information ready if you need service or call with a question.

- Copy model and serial numbers from label (see diagram below) and purchase date from sales slip.
- Keep this book and sales slip together in a handy place.

Model Number

---

Serial Number

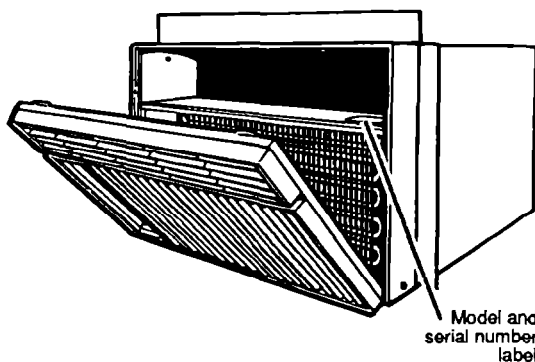
---

Purchase Date

---

Service Company Phone Number

---



# Important Safety Instructions

## ⚠ WARNING

To reduce the risk of fire, electrical shock or personal injury when using your air conditioner, follow these basic precautions:

- Read all instructions before using your air conditioner.
- Complete the installation requirements as described in Installation Instructions.
- Never allow children to operate or play with the air conditioner.
- Do not operate the air conditioner with the front panel removed.
- Never clean air conditioner parts with flammable fluids. The fumes can create a fire hazard or explosion.

### • FOR YOUR SAFETY •

**DO NOT STORE OR USE GASOLINE OR OTHER FLAMMABLE VAPORS AND LIQUIDS IN THE VICINITY OF THIS OR ANY OTHER APPLIANCE. THE FUMES CAN CREATE A FIRE HAZARD OR EXPLOSION.**

It is your responsibility to be sure your air conditioner:

- Is installed in a window or wall that will hold the weight, and is secured according to the Installation Instructions.
- Is connected only to the proper kind of outlet, with the correct electrical supply and grounding. (See Installation Instructions.)
- Is the correct size for the area you want to cool.
- Is used only for the job it was designed to do.
- Is not used by children or anyone unable to operate it properly.
- Is properly maintained.

Also, remove Energy Label and Buy Guide. Use a damp cloth to take off any glue residue. Do not use sharp instruments, flammable fluids or abrasive cleaners. These can damage the material.

– SAVE THESE INSTRUCTIONS –

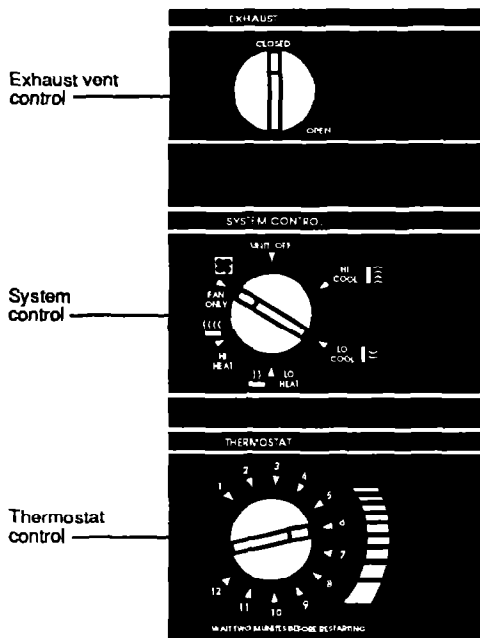
# Operating Instructions

## Starting your air conditioner

### ⚠ WARNING

#### Electrical Shock Hazard

- Plug unit only into grounded electrical outlet.
  - Do not use an extension cord.
  - Do not operate unit with front removed.
- Failure to follow the above precautions could result in electrical shock or personal injury.



1. Set Exhaust Vent Control to CLOSED for maximum cooling.
2. Set System Control to the desired setting.  
 LO COOL ..... for sleeping comfort  
 HI COOL ..... for maximum cooling  
 FAN ONLY ..... for circulating room air when no cooling is desired
3. Turn the Thermostat Control to number 6 (mid-setting). You can adjust the air conditioner's cooling performance by resetting the Thermostat Control to a higher number for maximum cooling. Lower the number setting for less cooling. You will need to experiment to find the setting which suits you best.

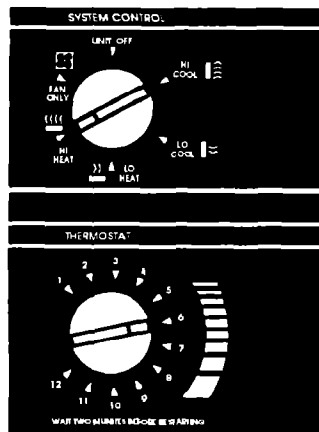
**NOTE:** If you turn your air conditioner off or if the compressor turns off when lowering the Thermostat Control, wait at least three minutes before turning it back on or you may blow a fuse or trip a circuit breaker.

## Using the HEAT settings

Turn the Thermostat Control to number 6 (mid-setting). You can adjust the air conditioner's heating performance by resetting the Thermostat Control to a lower number for more heat. Turn to a higher number for less heat.

**LO HEAT**—for reduced air movement with heat  
**HI HEAT**—for maximum air movement with heat

**NOTE:** This product is not designed to be used as a primary heat source. It is intended for supplemental heating only.

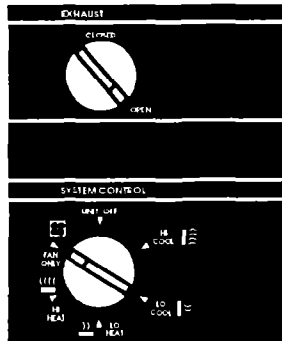


## The exhaust vent control

The Exhaust Vent Control can be used to draw stale or smoky air from the room.

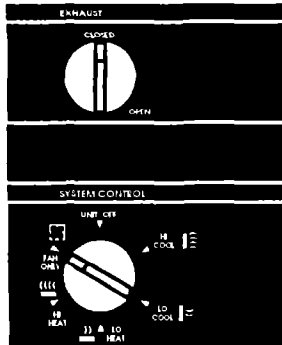
### 1. To exhaust room air

- Set Exhaust Vent Control to OPEN.
- If no cooling or heating is desired, set System Control to FAN ONLY.
- For cooling, set System Control to desired COOL setting.
- For heating, set System Control to desired HEAT setting.



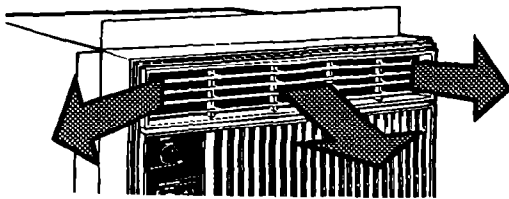
### 2. To circulate room air

- Set Exhaust Vent Control to CLOSED.
- If no cooling or heating is desired, set System Control to FAN ONLY.
- For cooling, set System Control to desired COOL setting.
- For heating, set System Control to desired HEAT setting.



## Changing air direction

The louvers in the grille area at the top of the air conditioner control the directions of the conditioned air. Move tabs at bottom of the grille in the direction you want the air to go (right, left or straight ahead).



# Cleaning Your Air Conditioner

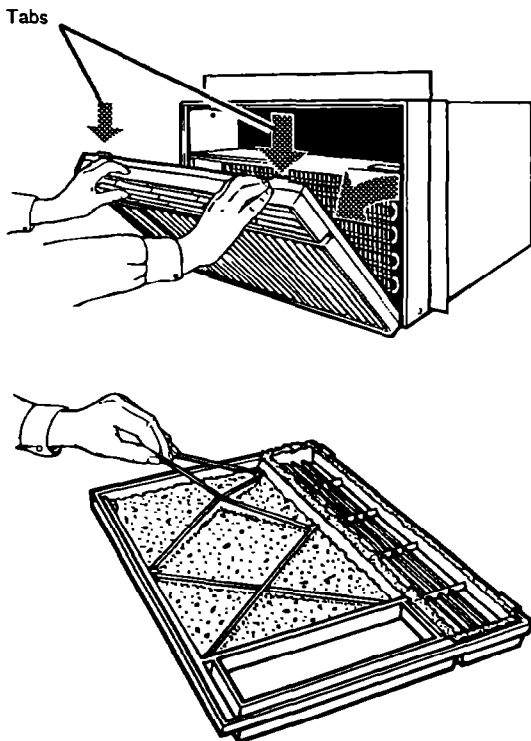
Proper use and care of your air conditioner will help ensure longer life of the unit and lower operating costs. Follow these instructions carefully. Call your local servicing dealer for an annual checkup.

## Cleaning front panel and filter

### **⚠ WARNING**

#### **Electrical Shock, Personal Injury and Product Damage Hazard**

- **Unplug power cord from receptacle before cleaning unit. Failure to do so could result in electrical shock or personal injury.**
- **Handle the air conditioner with care. The metal fins on the coils are sharp. Failure to do so could result in personal injury.**
- **Do not use cleaning fluids, solvents, abrasive cleaners, or strong detergents. They may damage the parts.**



1. Unplug power cord.
2. Remove the front panel from unit for cleaning. Press down at top of front panel to release it from top of cabinet.
3. Pull top of front panel toward you.
4. Lift up and away from bottom spring clips.
5. Remove filter from front panel by removing elastic band which holds it in place.
6. Clean filter by using a vacuum cleaner or, if very dirty, wash filter with warm water and a mild detergent. Air dry thoroughly before replacing. **Do not use a hot air dryer on filter.**
7. Clean front panel using a soft cloth with warm water and a mild detergent. Rinse and dry.
8. Replace filter and hold it in place with elastic band.
9. Wipe control panel clean with a soft, dry cloth.
10. Replace front panel. Locate bottom of panel on the spring clips. Press down on top edge of front panel and push front toward unit to secure upper tabs.
11. Reconnect power supply.

# Caring For Your Air Conditioner

## Annual maintenance

Your air conditioner needs annual maintenance to help ensure steady, top performance throughout the year.

Call the service company recommended by your dealer to:

- Inspect and clean the coils and condensate water passages.
- Check fan and fan motor.

The compressor is sealed and needs no oiling. Expense of annual inspection is customer's responsibility.

OR

If you are familiar with electrical appliances, you can do the cleaning and maintenance yourself. If you choose to do so, follow these steps:

### **⚠ WARNING**

#### **Electrical Shock and Personal Injury Hazard**

- **Unplug power cord from receptacle before performing any maintenance. Be sure no liquid gets into the motor, electrical control box or compressor electrical terminals.**
  - **Because your air conditioner weighs from 36 to 49.5 kg (80 to 110 pounds), it is recommended that you have someone help you when you remove and re-install your unit and that you both use proper lifting techniques.**
  - **Handle the air conditioner with care. Watch out for the sharp metal fins on the front and rear condenser coils.**
  - **Do not use the collected water for drinking purposes. It is not sanitary.**
- Failure to follow the above precautions could result in electrical shock or personal injury.**

1. Unplug power cord.
2. Remove front panel. (See page 5 for instructions.)
3. Pull control knobs straight off. Remove the control plate.
4. Remove the green ground wire. It is attached with a screw located on the bottom left side, under the control plate. (Save the screw to reattach wire.)
5. Pull out wire handles at bottom and slide air conditioner out of cabinet.  
**NOTE:** The air conditioner is heavy and should be removed by at least two people.
6. Wrap the motor, electrical control box and compressor terminal box in plastic film and make sure no water or other liquid gets inside any of these parts. It could damage the insulation and cause serious mechanical problems.
7. Carefully clean and hose out the base, condenser coils and condensate parts. Clean at least once a year—or more often if the condenser coil and pan collects dirt, sand, leaves, insects or algae. Also, clean if you detect an odor coming from the air conditioner. (A good time to oil the motor is when you already have the cabinet open. See "Oiling the fan motor" on page 7.)
8. Remove plastic film from motor and electrical parts.
9. Replace unit in cabinet.
10. Reattach ground wire. Replace control plate and knobs.
11. Replace front panel.
12. Reconnect power supply.

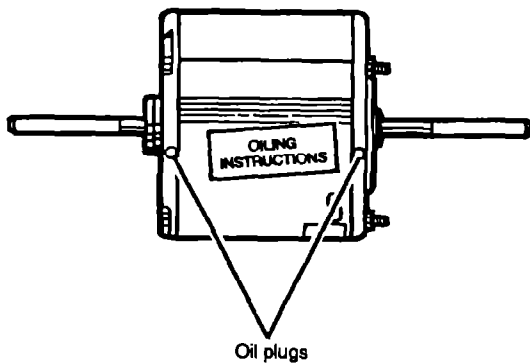
**NOTE:** It is a good idea to wait 24 hours before starting the unit again. This allows time for all areas to dry out. The water from rainfall or from normal operation does not harm these components.

## Oiling the fan motor

### **⚠ WARNING**

#### **Electrical Shock Hazard**

**Unplug power cord from receptacle before oiling the fan motor. Failure to do so could result in electrical shock.**



1. Unplug power cord.
2. Remove unit from cabinet. (Follow steps under "Annual maintenance" on page 6.)
3. Oil the fan motor per instructions on the motor. To add oil, remove the oil hole plug at each end of the motor. Oil with SAE #20 non-detergent oil.
4. Replace the plugs to keep dirt from motor bearings.
5. Replace unit in cabinet.
6. Reconnect power supply.

## Energy saving tips

- Improve home insulation. Seal doors, windows, and close fireplace flue.
- Close blinds or drapes on sunny side of house. Add window awnings.
- Keep air filter clean. Don't block airflow with drapes or furniture.
- Ventilate attic (high temperature levels add to normal cooling load).
- Try not to use heat producing appliances during the hottest part of the day. Turn lights, radios, televisions and other appliances off when not needed.
- Keep heat registers and cool air returns closed or blocked off so cooled air won't escape.
- Use a vent fan in cooking, laundry or bathing areas to pull out heat and moisture near its source.

# If You Need Service Or Assistance

## We suggest you follow these steps:

### Before calling for assistance ...

Performance problems often result from little things you can find and fix yourself without tools of any kind.

### Air conditioner won't run:

- Is unit plugged into a live circuit with proper voltage?
- Is switch turned on?
- Is Thermostat Control set correctly?
- Have you checked your home's main fuses or circuit breaker box?
- Has the time-delay fuse blown or circuit breaker tripped?
- Has the local power failed?

### Unit blows fuses or trips circuit breaker:

- Are time-delay fuses being used?
- Is an extension cord being used? (Do not use an extension cord to run your air conditioner.)
- Are you waiting three minutes after turning cooling circuit off before trying to restart unit?

### Unit turns on and off, or does not cool room:

- Is filter clean?
- Are coils clean (both evaporator [inside] and condenser [outside])?
- Is there excessive moisture or heat (open vessel cooking, showers, etc.)?
- Try setting System Control to higher speed.
- Try setting Thermostat Control to a cooler setting.

### Operating sounds:

When your room air conditioner is **operating normally**, you will hear sounds such as:

- Droplets of water hitting the condenser, causing a "pinging" or "clicking" sound. Water droplets help to cool the condenser.
- Air movement from the fan, especially on high fan speed setting.
- Clicks from the thermostat cycle.

Sounds also may be caused by house construction—such as vibration of the unit due to wall construction or unsteady window mounting area.

## For service in the U.S.:

### 1. If you need assistance\* ...

Call our Consumer Assistance Center telephone number. Dial free from anywhere in the U.S.:

**1-800-253-1301**

and talk with one of our trained consultants. The consultant can instruct you in how to obtain satisfactory operation from your appliance or, if service is necessary, recommend a qualified service company in your area.

### 2. If you need service\* ...

We have a nationwide network of authorized service companies. Our service technicians are trained to fulfill the product warranty and provide after-warranty service, anywhere in the United States. To locate the authorized service company in your area, call our Consumer Assistance Center telephone number (see Step 1) or look in your telephone directory Yellow Pages under:

**APPLIANCES – HOUSEHOLD –  
MAJOR – SERVICE & REPAIR**

### 3. If you need replacement parts\* ...

To locate replacement parts in your area, refer to Step 2 above or call our Consumer Assistance Center number in Step 1.

### 4. If you are not satisfied with how the problem was solved\* ...

- Contact the Major Appliance Consumer Action Panel (MACAP). MACAP is a group of independent consumer experts that voices consumer views at the highest levels of the major appliance industry.
- Contact MACAP only when the dealer and authorized servicer have failed to resolve your problem.  
Major Appliance Consumer Action Panel  
20 North Wacker Drive  
Chicago, IL 60606
- MACAP will in turn inform us of your action.

\* When requesting assistance, please provide: model number, serial number, date of purchase, and a complete description of the problem. This information is needed in order to respond to your request better.



## For service in Canada:

### PROCARE APPLIANCE SERVICE-INGLIS LIMITED CONSUMER SERVICES

#### Direct service branches:

<b>BRITISH COLUMBIA</b>	<b>Vancouver</b>	Procure Appliance Service 2991 Grandview	604-432-7416
	<b>Victoria</b>	Procure Appliance Service 3117 Steele Street	604-386-2208
	<b>Surrey</b>	Procure Appliance Service Unit #2, 8145 - 130th St.	604-590-6422
<b>ALBERTA</b>	<b>Calgary</b>	Procure Appliance Service #15 6025 12th St. S.E.	403-253-9267
	<b>Edmonton</b>	Procure Appliance Service 12235 Fort Road	403-474-8576
<b>ONTARIO</b>	<b>Toronto (Mississauga)</b>	Procure Appliance Service 5945 Ambler Drive	416-624-2800
	<b>Toronto (Markham)</b>	Procure Appliance Service Unit #1, 110 Torbay Rd.	416-475-9511
	<b>Windsor</b>	Procure Appliance Service 3180 Grand Marais Ave. E.	519-944-3551
	<b>London</b>	Procure Appliance Service 317 Adelaide St. S., Suite 109	519-686-8633
	<b>Hamilton</b>	Procure Appliance Service 310 Kenora Avenue	416-560-7444
	<b>Barrle</b>	Procure Appliance Service 4 Alliance Blvd.	705-726-3922
	<b>Ottawa</b>	Procure Appliance Service 28 Capital Drive	613-225-0510
<b>SASKATCHEWAN</b>	<b>Regina</b>	Procure Appliance Service 660 Henderson Drive	306-569-9681
	<b>Saskatoon</b>	Procure Appliance Service 1505 Ontario Avenue	306-652-9285

continued on next page

**If You Need Service Or Assistance  
Continued**

---

<b>MANITOBA</b>	<b>Winnipeg</b>	Procure Appliance Service 1683 Church Avenue	204-694-5308
<hr/>			
<b>QUEBEC</b>	<b>Montreal East</b>	Procure Appliance Service 8620 Pie IX Blvd.	514-376-5260
	<b>Montreal West</b>	Procure Appliance Service 6230 Trans Canada Highway	514-735-8402
	<b>Brossard</b>	Procure Appliance Service 9605 F. Ignace St.	514-397-1840
	<b>Chicoutimi</b>	Procure Appliance Service 163 Bosse Street	418-543-0267
	<b>Quebec City</b>	Procure Appliance Service 5275 Boul. Wilfrid Hamel, Suite 140	418-871-5251
	<b>Sherbrooke (Rock Forest)</b>	Procure Appliance Service 483 Industrial Blvd.	819-564-6565
	<b>Trois Rivières</b>	Procure Appliance Service 6183 Corbeil St.	819-375-9674
<hr/>			
<b>NOVA SCOTIA</b>	<b>Dartmouth</b>	Procure Appliance Service 10 Akerley Blvd., Suite 23	902-468-6634

For service in areas other than those listed, contact your Appliance Dealer.



# Warranty

LENGTH OF WARRANTY	WE WILL PAY FOR
<b>FULL ONE-YEAR WARRANTY</b> From Date of Purchase	Replacement parts and repair labor to correct defects in materials or workmanship.
<b>FULL FIVE-YEAR WARRANTY</b> From Date of Purchase	Replacement parts and repair labor to correct defects in materials or workmanship in the sealed refrigeration system. These parts are: 1. Compressor    4. Drier-Strainer 2. Evaporator    5. Connecting Tubing 3. Condenser
<b>WE WILL NOT PAY FOR</b>	
<p><b>A. Service calls to:</b></p> <ol style="list-style-type: none"> <li>1. Correct the installation of the air conditioner.</li> <li>2. Instruct you how to use the air conditioner.</li> <li>3. Replace house fuses or correct house wiring.</li> <li>4. Clean or replace air filter.</li> </ol> <p><b>B. Pickup and delivery.</b> This product is designed to be repaired in the home.</p> <p><b>C. Damage to the air conditioner caused by accident, misuse, fire, flood, acts of God or use of products not mentioned in this manual.</b></p> <p><b>D. The removal and reinstallation of the air conditioner if it is installed in an overhead or other inaccessible location or not installed in accordance with published installation instructions.</b></p>	

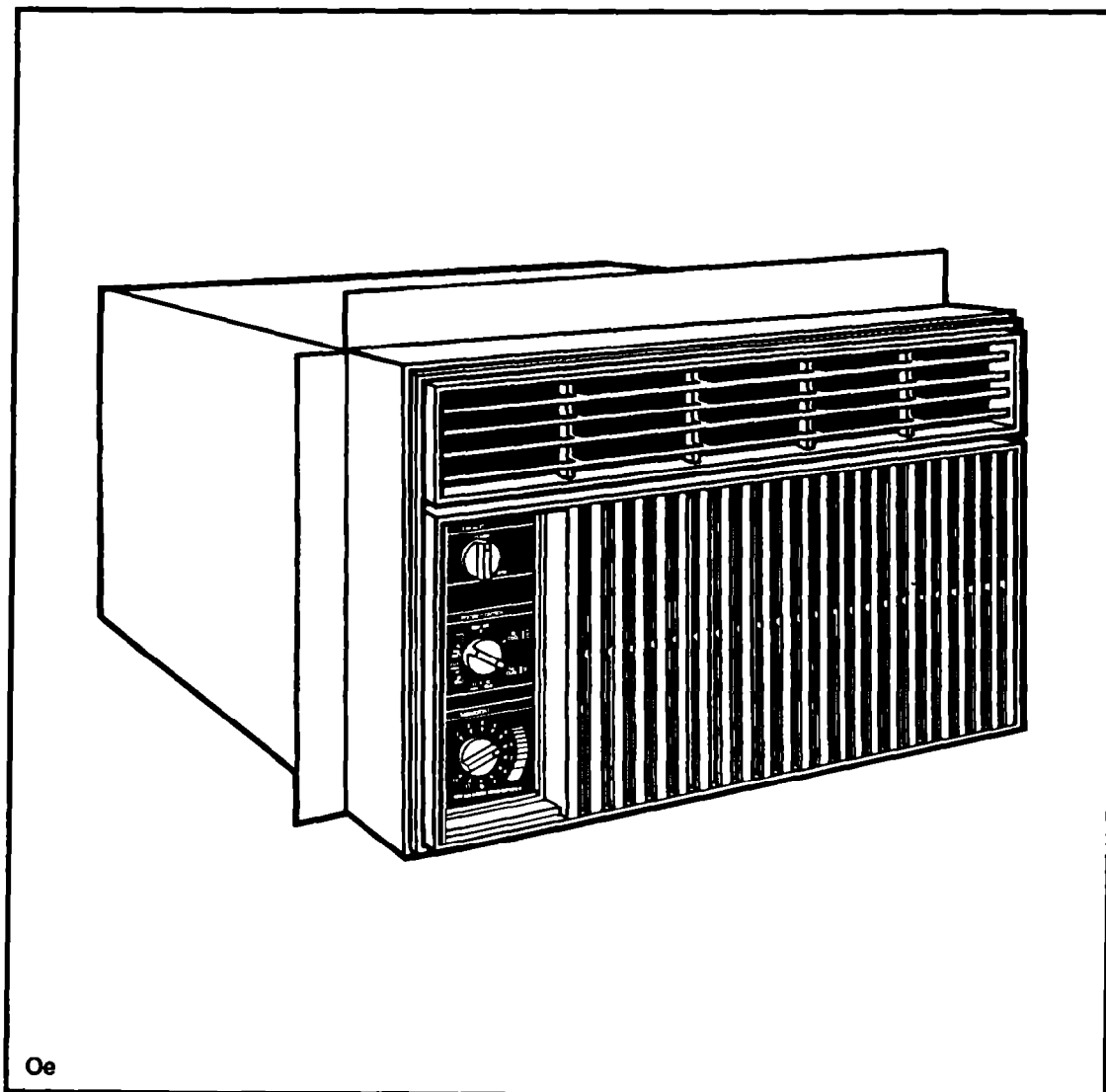
Service under the full warranties must be provided by an authorized service company. This warranty gives you specific legal rights, and you may also have other rights which vary from state to state.

Outside the United States, a different warranty may apply. For details, please contact your authorized distributor or military exchange.

If you need service, first see the "Service and Assistance" section of this book. After checking "Service and Assistance," additional help can be found by calling our Consumer Assistance Center service assistance telephone number, **1-800-253-1301**, from anywhere in the U.S. For service in Canada, see "Procare Appliance Service" on page 9 for the service branch in your area.

# CLIMATISEURS

## Guide d'emploi et d'entretien



# Table des matières

	Page
Importantes consignes de sécurité .....	2
Mode d'emploi .....	3
Mise en marche de votre climatiseur .....	3
Utilisation des réglages de CHAUFFAGE .....	4
La commande de l'échappement .....	4
Pour changer la direction de l'air .....	4
Nettoyage de votre climatiseur .....	5
Nettoyage du panneau avant et du filtre .....	5
Entretien de votre climatiseur .....	6
Entretien annuel .....	6
Pour huiler le moteur du ventilateur .....	7
Conseils pour économiser l'énergie .....	7
Si vous avez besoin de service ou d'assistance .....	8
Garantie .....	12

Nous vous remercions d'avoir acheté cet appareil. Prière de remplir et de retourner la carte d'immatriculation du propriétaire fournie avec cet appareil. Puis veuillez remplir le formulaire ci-dessous. Ayez ces renseignements sous la main si vous avez besoin de service ou désirez poser une question.

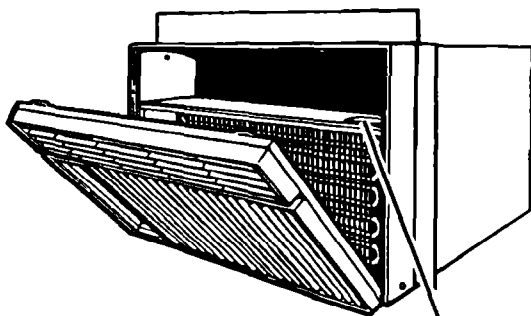
- Copier les numéros de modèle et de série provenant de l'étiquette (voir diagramme ci-dessous) et la date de l'achat qui figure sur la fiche de vente.
- Conserver ce livre et la fiche de vente ensemble dans un endroit d'accès commode.

Numéro de modèle

Numéro de série

Date de l'achat

Numéro de téléphone de l'entreprise de service



Étiquette de numéro de modèle et de série

# Importantes consignes de sécurité

## ⚠ AVERTISSEMENT

Pour réduire le risque d'incendie, de choc électrique ou de lésion corporelle lors de l'utilisation de votre climatiseur, suivre ces précautions de base :

- Lire toutes les instructions avant d'utiliser votre climatiseur.
- Faire l'installation selon les instructions décrites dans les consignes d'installation.
- Ne jamais laisser les enfants faire fonctionner ou jouer avec le climatiseur.
- Ne pas faire marcher le climatiseur si le panneau avant est enlevé.
- Ne jamais nettoyer de pièces du climatiseur avec des liquides inflammables. Les vapeurs peuvent créer un danger d'incendie ou une explosion.

### • POUR VOTRE SÉCURITÉ •

**NE PAS ENTREPOSER ET NE PAS UTILISER D'ESSENCE OU D'AUTRES VAPEURS ET LIQUIDES INFLAMMABLES À PROXIMITÉ DE CET APPAREIL OU D'AUTRES APPAREILS. LES VAPEURS PEUVENT CRÉER UN DANGER D'INCENDIE OU UNE EXPLOSION.**

Vous êtes responsable de vous assurer que votre climatiseur :

- Est installé dans une fenêtre ou un mur qui supportera le poids et est protégé conformément aux consignes d'installation.
- Est branché seulement à une prise de courant du genre approprié avec l'alimentation électrique qu'il faut et mis à la terre. (Voir consignes d'installation).
- Est de la taille appropriée pour la zone que vous voulez refroidir.
- Est utilisé seulement pour la tâche pour laquelle il a été conçu.
- N'est pas utilisé par des enfants ou quiconque incapable de le faire fonctionner comme il faut.
- Est bien entretenu.

Également, enlever l'étiquette d'énergie et le Guide d'achat. Utiliser un chiffon humide pour enlever tout résidu de colle. Ne pas se servir d'instruments aiguisés, de liquides inflammables ou de produits de nettoyage abrasifs. Ils peuvent endommager les matériaux.

—CONSERVER CES INSTRUCTIONS—

# Mode d'emploi

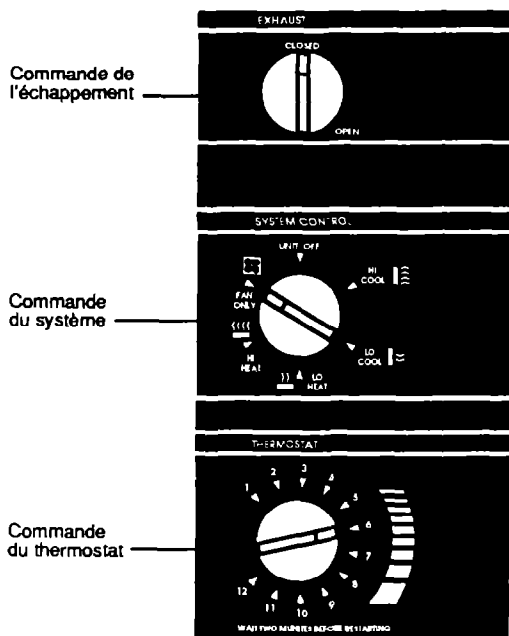
## Mise en marche de votre climatiseur

### ⚠ AVERTISSEMENT

#### Danger de choc électrique

- Brancher l'appareil à une prise de courant mise à la terre.
- Ne pas utiliser de rallonge.
- Ne pas faire fonctionner avec le panneau avant enlevé.

Le défaut de suivre les précautions ci-dessus pourrait résulter en un choc électrique ou une lésion corporelle.

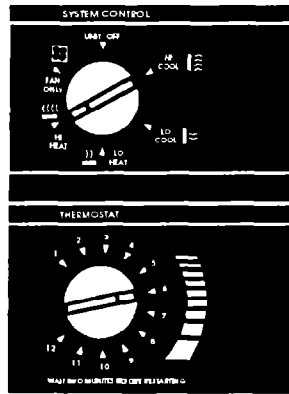


1. Mettre la commande de l'échappement sur CLOSÉ (fermé) pour refroidir au maximum.
2. Mettre la commande de système sur le réglage désiré.

LO COOL ..... pour un sommeil (froid faible) confortable  
HI COOL ..... pour un froid (froid fort) maximum  
FAN ONLY ..... pour faire circuler l'air de (ventilateur seulement) la pièce lorsqu'on ne désire pas de refroidissement

3. Mettre la commande du thermostat au numéro 6 (réglage moyen). Vous pouvez régler le rendement du froid du climatiseur en réajustant la commande du thermostat à un numéro plus élevé pour obtenir le maximum de froid. Abaisser le chiffre du réglage pour obtenir moins de froid. Il vous faudra faire des expériences pour trouver les réglages qui vous conviennent le mieux.

**REMARQUE :** Si vous arrêtez votre climatiseur ou si le compresseur s'arrête lorsqu'on abaisse la commande du thermostat, attendez trois minutes au moins avant de le remettre en marche ou vous pourriez faire sauter un fusible ou déclencher le coupe-circuit.



## Utilisation des réglages de CHAUFFAGE

Faire tourner la commande du thermostat sur le numéro 6 (réglage moyen). Vous pouvez régler le rendement du chauffage du climatiseur en réajustant la commande du thermostat à un chiffre plus faible pour obtenir plus de chaleur. Faire tourner à un chiffre plus élevé pour obtenir moins de chaleur.

**LO HEAT (chaleur faible)**—pour un mouvement d'air réduit avec chauffage

**HI HEAT (chaleur forte)**—pour un mouvement d'air maximum avec chauffage

**REMARQUE :** Cet appareil n'est pas conçu pour être utilisé comme source de chaleur principale. Il est prévu pour être un chauffage supplémentaire seulement.

## La commande de l'échappement

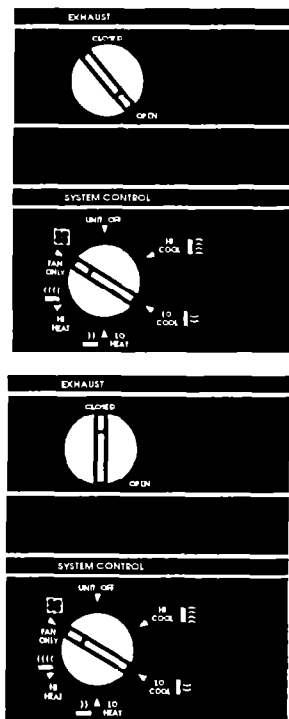
La commande de l'échappement peut être utilisée pour aspirer l'air confiné et enfumé de la pièce.

### 1. Pour évacuer l'air de la pièce

- Mettre la commande de l'échappement sur OPEN (ouvert).
- Si l'on ne désire ni refroidissement ni chauffage, utiliser le réglage FAN ONLY (ventilateur seulement).
- Pour refroidir, placer la commande du système sur le réglage COOL (froid) désiré.
- Pour chauffer, placer la commande du système sur le réglage HEAT (chauffage) désiré.

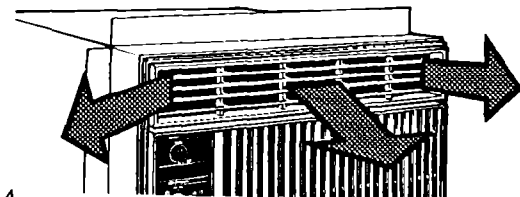
### 2. Pour faire circuler l'air de la pièce

- Mettre la commande de l'échappement sur CLOSED (fermé).
- Si l'on ne désire ni refroidissement ni chauffage, utiliser le réglage FAN ONLY (ventilateur seulement).
- Pour refroidir, placer la commande du système sur le réglage COOL (froid) désiré.
- Pour chauffer, placer la commande du système sur le réglage HEAT (chauffage) désiré.



## Pour changer la direction de l'air

Les volets d'aération de la zone de la grille en haut du climatiseur commandent les directions de l'air climatisé. Déplacer les pattes de la grille dans la direction où vous désirez envoyer l'air (à droite, à gauche ou tout droit).





# Nettoyage de votre climatiseur

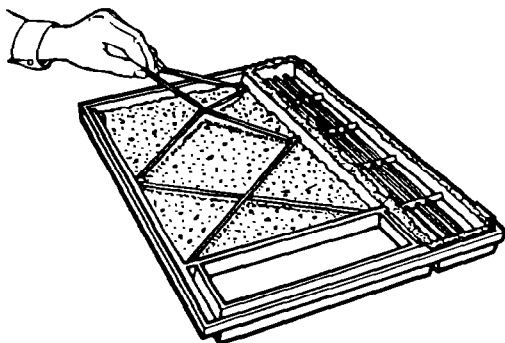
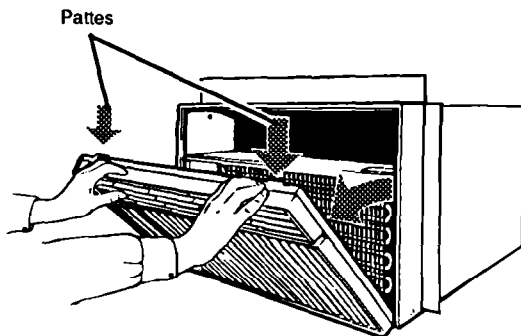
L'emploi et l'entretien appropriés de votre climatiseur contribueront à assurer une plus grande longévité et à abaisser les frais de fonctionnement. Suivre soigneusement ces consignes. Appeler votre concessionnaire local assurant le service pour faire une vérification annuelle.

## Nettoyage du panneau avant et du filtre

### ⚠ AVERTISSEMENT

Danger de choc électrique, lésion corporelle et dommages à l'appareil

- Débrancher le cordon d'alimentation de la prise de courant avant de nettoyer l'appareil. L'inobservation de cette recommandation pourrait résulter en un choc électrique ou une lésion corporelle.
- Manipuler le climatiseur avec soin. Les ailettes métalliques sur les serpentins sont aiguës. L'inobservation de cette mise en garde pourrait résulter en une lésion corporelle.
- Ne pas utiliser de produits de nettoyage, solvants, produits de nettoyage abrasifs, ou détergents forts. Ils pourraient abîmer les pièces.



1. Débrancher le cordon d'alimentation.
2. Enlever le panneau avant de l'appareil pour nettoyer. Appuyer vers le bas en haut du panneau avant pour le dégager de l'avant de l'habillage.
3. Tirer le haut du panneau avant vers vous.
4. Soulever vers le haut et à l'écart des griffes à ressort du bas.
5. Enlever le filtre du panneau avant en enlevant le bracelet élastique qui le maintient en place.
6. Nettoyer le filtre avec un aspirateur ou, s'il est très sale, laver le filtre avec de l'eau chaude et un détergent doux. Sécher à l'air à fond avant de le remettre en place. **Ne pas se servir d'un séchoir à air chaud sur le filtre.**
7. Nettoyer le panneau avant avec un chiffon doux et avec de l'eau chaude et un détergent doux. Rincer et sécher.
8. Remettre le filtre et le maintenir en place avec un bracelet en élastique.
9. Essuyer le tableau de commande avec un chiffon doux sec.
10. Remettre le panneau avant. Placer le bas du panneau sur les pinces à ressort. Appuyer vers le bas sur le bord supérieur du panneau avant et pousser l'avant vers l'appareil pour fixer les pattes supérieures.
11. Rebrancher l'alimentation électrique.

# Entretien de votre climatiseur

## Entretien annuel

Votre climatiseur a besoin d'un entretien annuel pour contribuer à assurer un excellent rendement continu pendant toute l'année.

Appeler l'entreprise de service d'entretien recommandée par votre concessionnaire pour :

- Inspecter et nettoyer les serpentins et les passages d'eau de condensat.
- Vérifier le ventilateur et le moteur du ventilateur. Le compresseur est scellé et ne demande pas de graissage. Les frais d'inspection annuelle sont à la charge du client.

OU

Si vous êtes familier avec les appareils électriques, vous pouvez faire le nettoyage et l'entretien vous-même. Si vous décidez de le faire, suivez ces étapes :

### AVERTISSEMENT

#### Danger de choc électrique et de lésion corporelle

- **Débrancher le cordon d'alimentation de la prise de courant avant d'effectuer tout entretien. S'assurer qu'aucun liquide ne pénètre dans le moteur, le coffret de commande électrique ou les bornes électriques du compresseur.**
- **Étant donné que votre climatiseur pèse entre 36 et 49,5 kg (80 à 110 livres), il est recommandé que vous ayez quelqu'un pour vous aider lorsque vous enlevez ou ré-installez votre appareil et que vous utilisiez tous deux des techniques de levage appropriées.**
- **Manipuler le climatiseur avec soin. Faire attention aux ailettes métalliques alguës sur les serpentins avant et arrière du condenseur.**
- **Ne pas utiliser l'eau recueillie pour boire. Elle n'est pas potable.**

**L'inobservation des précautions ci-dessus pourrait résulter en un choc électrique ou une lésion corporelle.**

1. Débrancher le cordon d'alimentation.
2. Enlever le panneau avant. (Voir page 5 pour les consignes.)
3. Tirer les boutons de commande tout droit. Enlever la plaque de commande.
4. Enlever le fil de terre vert. Il est fixé avec une vis située du côté gauche du fond, sous la plaque de commande. (Mettre la vis de côté pour rebrancher le fil.)
5. Tirer les poignées en fil de fer dans le fond et faire glisser le climatiseur de l'habillage.  
**REMARQUE :** Le climatiseur est lourd et devrait être enlevé par deux personnes au moins.
6. Envelopper le moteur, le coffret de commande électrique et la boîte à bornes du compresseur dans un film en plastique et s'assurer que de l'eau ou d'autres liquides ne pénètrent pas à l'intérieur d'une quelconque de ces pièces. Cela pourrait endommager l'isolation et causer de graves problèmes mécaniques.
7. Nettoyer soigneusement et laver au jet la base, les serpentins du condenseur et les pièces du condensat. Nettoyer au moins une fois par an – ou plus souvent si le serpentin du condenseur et le bac accumulent de la saleté, du sable, des feuilles, des insectes ou des algues. Nettoyer aussi si vous détectez une odeur provenant du climatiseur. (C'est un bon moment pour huiler le moteur lorsque l'habillage est déjà ouvert. Voir le chapitre "Pour huiler le moteur du ventilateur" à la page 7.)
8. Enlever le film en plastique du moteur et des pièces électriques.
9. Remettre l'appareil dans l'habillage.
10. Rebrancher le fil de terre. Remettre la plaque de commande et les boutons.
11. Remettre le panneau avant.
12. Rebrancher l'alimentation électrique.

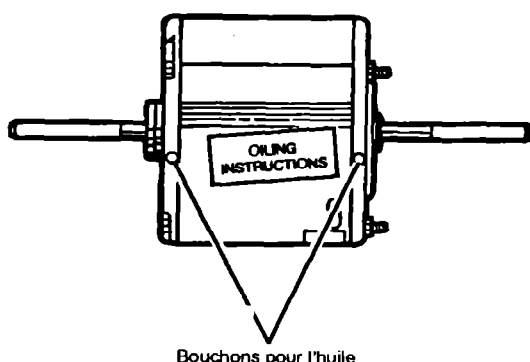
**REMARQUE:** C'est une bonne idée d'attendre 24 heures avant de remettre l'appareil en marche. Ceci donne le temps à toutes les parties de sécher. L'eau de pluie ou provenant du fonctionnement normal n'abîme pas ces composants.

## Pour huiler le moteur du ventilateur

### ⚠ AVERTISSEMENT

#### Danger de choc électrique

Débrancher le cordon d'alimentation de la prise de courant avant d'huiler le moteur du ventilateur. L'inobservation de cette recommandation pourrait résulter en un choc électrique.



Bouchons pour l'huile

1. Débrancher le cordon d'alimentation.
2. Retirer l'appareil de l'habillage. (Suivre les étapes indiquées au chapitre "Entretien annuel" à la page 6).
3. Huiler le moteur du ventilateur suivant les consignes qui figurent sur le moteur. Pour ajouter de l'huile, enlever le bouchon du trou de passage d'huile à chaque extrémité du moteur. Utiliser de l'huile SAE No. 20 non-détergente.
4. Remettre les bouchons pour empêcher la saleté de pénétrer dans les roulements du moteur.
5. Remettre l'appareil dans l'habillage.
6. Rebrancher l'alimentation électrique.

## Conseils pour économiser l'énergie

- Améliorer l'isolation de la maison. Sceller les portes, les fenêtres et fermer le tuyau d'évacuation des fumées de la cheminée.
- Fermer les stores ou les doubles rideaux du côté ensoleillé de la maison. Ajouter des stores extérieurs aux fenêtres.
- Tenir le filtre à air propre. Ne pas bloquer la circulation d'air avec des doubles rideaux ou des meubles.
- Ventiler le grenier (des niveaux de haute température accroissent la charge normale de refroidissement).
- Essayer de ne pas utiliser d'appareils générateurs de chaleur pendant la partie la plus chaude de la journée. Éteindre les lumières, les radios, les téléviseurs et autres appareils lorsqu'on en a pas besoin.
- Tenir les bouches de chaleur et les reprises d'air frais fermées ou bloquées de sorte que l'air refroidi ne s'échappe pas.
- Utiliser un ventilateur d'aération dans les zones de cuisine, de buanderie ou de bains pour extraire la chaleur et l'humidité près de leur source.

# Si vous avez besoin de service ou d'assistance

## Nous vous suggérons de suivre ces étapes :

### Avant de faire appel à l'assistance ...

Les problèmes de rendement résultent souvent de petites choses que vous pouvez trouver et réparer vous-même sans outils d'aucune sorte.

### Le climatiseur ne veut pas marcher :

- L'appareil est-il branché dans un circuit sous tension avec la tension appropriée?
- L'interrupteur est-il en position MARCHE?
- La commande du thermostat est-elle réglée comme il faut?
- Avez-vous vérifié les fusibles principaux de votre maison ou le coffret du coupe-circuit?
- Le fusible à action différée a-t-il sauté ou le coupe-circuit s'est-il déclenché?
- Y a-t-il eu une panne de courant locale?

### L'appareil fait sauter des fusibles ou déclenche le coupe-circuit :

- Se sert-on de fusibles à action différée?
- Se sert-on d'une rallonge? (N'utilisez pas de rallonge pour faire marcher votre climatiseur.)
- Attendez-vous trois minutes après avoir arrêté le circuit de refroidissement avant d'essayer de remettre l'appareil en marche?

### L'appareil se met en marche et s'arrête, ou ne refroidit pas la pièce :

- Le filtre est-il propre?
- Les serpentins sont-ils propres (à la fois l'évaporateur [intérieur] et condenseur [extérieur])?
- Y a-t-il une humidité ou chaleur excessive (casserole découverte, douches, etc.)?
- Essayer de placer la commande du système sur une vitesse plus élevée.
- Essayer de placer la commande du thermostat sur une plus froide.

### Bruits de fonctionnement :

Lorsque votre climatiseur fonctionne normalement, vous entendrez des bruits tels que:

- Des gouttelettes d'eau frappant le condenseur, produisant un son métallique ou sec. Les gouttelettes d'eau contribuent à refroidir le condenseur.
- Le mouvement d'air du ventilateur, en particulier dans les positions de réglage de grande vitesse du ventilateur.
- Des cliquetis du cycle du thermostat.

Des bruits peuvent également être causés par la construction de la maison – tels que vibration de l'appareil due à la construction du mur ou des zones de montage sur la fenêtre instable.

8

## Pour service aux É.U. :

### 1. Si vous avez besoin d'assistance\* ...

Appelez le numéro de téléphone du Centre d'Assistance aux consommateurs. Composez gratuitement depuis tout point des É.U.:

1-800-253-1301

et parlez à l'un de nos consultants formés. Le consultant peut vous indiquer comment obtenir un fonctionnement satisfaisant de votre appareil ou, si un service est nécessaire, recommander une société de service compétente dans votre région.

### 2. Si vous avez besoin de service\* ...

Nous avons un réseau national de sociétés de service autorisées. Les techniciens de service sont formés pour remplir les conditions de la garantie du produit n'importe où aux États-Unis. Pour trouver la société de service autorisée dans votre région, appeler notre numéro de téléphone du Centre d'Assistance aux consommateurs (voir étape 1) ou consulter les Pages Jaunes de votre annuaire du téléphone à la rubrique :

GROS APPAREILS – ÉLECTROMÉNAGERS –  
SERVICE & RÉPARATIONS

### 3. Si vous avez besoin de pièces de rechange\* ...

Pour trouver des pièces de rechange dans votre région, se référer à l'étape 2 ci-dessus ou appeler le numéro du Centre d'Assistance aux Consommateurs indiqué à l'étape 1.

### 4. Si vous n'êtes pas satisfait de la manière dont le problème a été résolu\* ...

- Prendre contact avec le Major Appliance Consumer Action Panel (MACAP). MACAP est un groupe de consommateurs experts indépendants qui exprime les vues des consommateurs aux niveaux les plus élevés de l'industrie des gros appareils électroménagers.
- Prendre contact avec MACAP seulement lorsque le concessionnaire et la maison de service autorisée n'ont pas corrigé votre problème.

Major Appliance Consumer Action Panel  
20 North Wacker Drive  
Chicago, IL 60606

- MACAP à son tour nous informera de votre action.

\*Si vous avez besoin d'assistance, prière de fournir : le numéro de modèle, le numéro de série, la date d'achat et une description complète du problème. Ces renseignements sont nécessaires pour mieux répondre à votre demande.

**Pour service au Canada:****PROCARE SERVICE D'APPAREILS MÉNAGERS-INGLIS LIMITÉE  
SERVICE AUX CONSOMMATEURS****Succursales de service de district :**

<b>COLOMBIE BRITANNIQUE</b>	<b>Vancouver</b>	Procure Service D'appareils Ménagers 2991 Grandview Hwy.	604-432-7416
	<b>Victoria</b>	Procure Service D'appareils Ménagers 3117 Steele Street	604-386-2208
	<b>Surrey</b>	Procure Service D'appareils Ménagers Unit #2, 8145 - 130th St.	604-590-6422
<b>ALBERTA</b>	<b>Calgary</b>	Procure Service D'appareils Ménagers #15 6025 12th St. S.E.	403-253-9267
	<b>Edmonton</b>	Procure Service D'appareils Ménagers 12235 Fort Road	403-474-8576
<b>ONTARIO</b>	<b>Toronto (Mississauga)</b>	Procure Service D'appareils Ménagers 5945 Ambler Drive	416-624-2800
	<b>Toronto (Markham)</b>	Procure Service D'appareils Ménagers Unit #1, 110 Torbay Rd.	416-475-9511
	<b>Windsor</b>	Procure Service D'appareils Ménagers 3180 Grand Marais Ave. E.	519-944-3551
	<b>London</b>	Procure Service D'appareils Ménagers 317 Adelaide St. S., Suite 109	519-686-8633
	<b>Hamilton</b>	Procure Service D'appareils Ménagers 310 Kenora Avenue	416-560-7444
	<b>Barrie</b>	Procure Service D'appareils Ménagers 4 Alliance Blvd.	705-726-3922
	<b>Ottawa</b>	Procure Service D'appareils Ménagers 28 Capital Drive	613-225-0510
<b>SASKATCHEWAN</b>	<b>Regina</b>	Procure Service D'appareils Ménagers 660 Henderson Drive	306-569-9681
	<b>Saskatoon</b>	Procure Service D'appareils Ménagers 1505 Ontario Avenue	306-652-9285

**Si vous avez besoin de service ou d'assistance**  
**Suite**

---

<b>MANITOBA</b>	<b>Winnipeg</b>	Procare Service D'appareils Ménagers 1683 Church Avenue	204-694-5308
-----------------	-----------------	--	--------------

---

<b>QUÉBEC</b>	<b>Montréal Est</b>	Procare Service D'appareils Ménagers 8620, boul. Pie IX	514-376-5260
	<b>Montréal Ouest</b>	Procare Service D'appareils Ménagers 6230, route Transcanadienne	514-735-8402
	<b>Brossard</b>	Procare Service D'appareils Ménagers 9605, F. rue Ignace	514-397-1840
	<b>Chicoutimi</b>	Procare Service D'appareils Ménagers 163, rue Bosse Ouest	418-543-0267
	<b>Québec</b>	Procare Service D'appareils Ménagers 5275, boul. Wilfrid Hamel, Bureau 140	418-871-5251
	<b>Sherbrooke (Rock Forest)</b>	Procare Service D'appareils Ménagers 483, boul. Industrial	819-564-6565
	<b>Trois-Rivières</b>	Procare Service D'appareils Ménagers 6183, rue Corbeil	819-375-9674

---

<b>NOUVELLE-ÉCOSSE</b>	<b>Dartmouth</b>	Procare Service D'appareils Ménagers 10 Akerley Blvd., Suite 23	902-468-6634
------------------------	------------------	--	--------------

Pour obtenir des services techniques à en dehors des centres mentionnés,  
veuillez communiquer avec votre marchand d'appareils.



# Garantie

DURÉE DE LA GARANTIE	NOUS SUPPORTERONS LES FRAIS DE
<b>GARANTIE COMPLÈTE D'UN AN</b> À compter de la date de l'achat	Pièces de rechange et la main-d'œuvre de réparation pour corriger les défauts de matériaux ou de main-d'œuvre.
<b>GARANTIE COMPLÈTE DE CINQ ANS</b> À compter de la date de l'achat	Pièces de rechange et la main-d'œuvre de réparation pour corriger les défauts de matériaux ou de main-d'œuvre dans le système scellé de réfrigération. Ces pièces sont: 1. Compresseur                      4. Séchoir-tamis 2. Évaporateur                      5. Tube de raccord 3. Condenseur
<b>NOUS NE SUPPORTERONS PAS LES FRAIS DE</b>	
<p><b>A. D'appels de service pour:</b></p> <ol style="list-style-type: none"> <li>1. Corriger l'installation du climatiseur.</li> <li>2. Vous enseigner comment utiliser le climatiseur.</li> <li>3. Remplacer les fusibles de la maison ou corriger le câblage de la maison.</li> <li>4. Nettoyer ou remplacer le filtre à air.</li> </ol> <p><b>B. L'enlèvement et la livraison.</b> Ce produit est conçu pour être réparé dans l'habitation.</p> <p><b>C. Les dommages au climatiseur causés par accident, mauvais emploi, incendie, inondation, cas de force majeure ou utilisation de produits non cités dans ce manuel.</b></p> <p><b>D. La dépose et la réinstallation du climatiseur s'il est installé dans un endroit surélevé ou autrement inaccessible ou non posé conformément aux consignes d'installation publiées.</b></p>	

Le service en vertu des garanties totales doit être fourni par une entreprise de service autorisée. Cette garantie vous donne des droits légaux spécifiques, et il se peut que vous ayez d'autres droits qui varient d'une province à l'autre.

En dehors des États-Unis, une garantie différente peut s'appliquer. Pour de plus amples détails, prière de prendre contact avec votre distributeur autorisé ou magasin de l'armée.

Si vous avez besoin de service, voir d'abord le chapitre "Service et Assistance" du présent ouvrage. Après avoir vérifié avec "Service et Assistance," une aide supplémentaire est disponible en appelant notre numéro de téléphone du Centre d'Assistance aux Consommateurs, **1-800-253-1301**, à partir de n'importe où aux États-Unis. Pour service au Canada, voir "Procure Service D'appareils Ménagers" à la page 9 pour obtenir les succursales de service local.



## Free Manuals Download Website

<http://myh66.com>

<http://usermanuals.us>

<http://www.somanuals.com>

<http://www.4manuals.cc>

<http://www.manual-lib.com>

<http://www.404manual.com>

<http://www.luxmanual.com>

<http://aubethermostatmanual.com>

Golf course search by state

<http://golfingnear.com>

Email search by domain

<http://emailbydomain.com>

Auto manuals search

<http://auto.somanuals.com>

TV manuals search

<http://tv.somanuals.com>