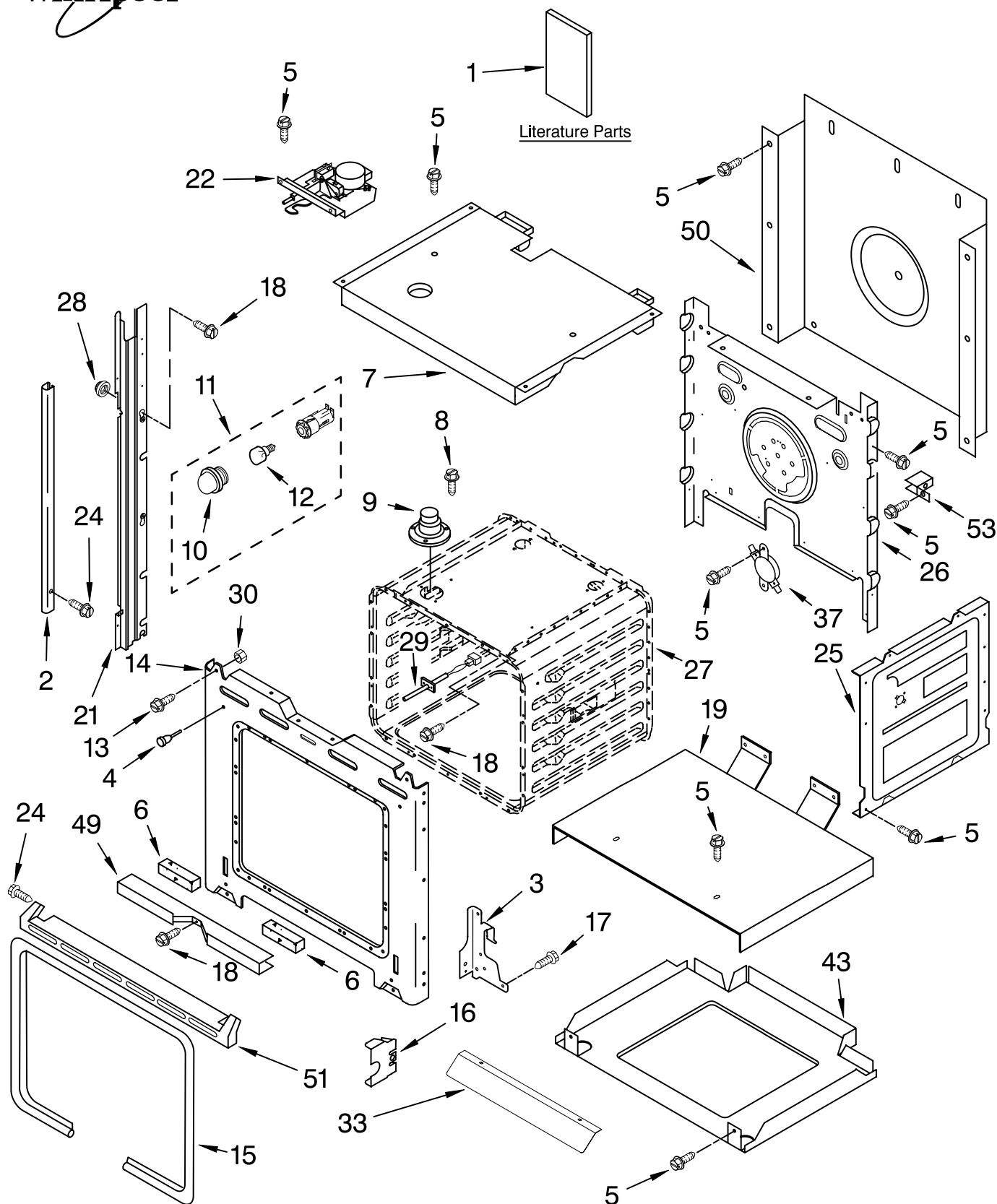




OVEN PARTS

For Models: GBS277PRQ01, GBS277PRB01, GBS277PRS01
(Designer White) (Black) (Stainless Steel)

27" BUILT-IN ELECTRIC
SINGLE CONVECTION OVEN
(GOLD LINE)



FOR ORDERING INFORMATION REFER TO PARTS PRICE LIST

OVEN PARTS

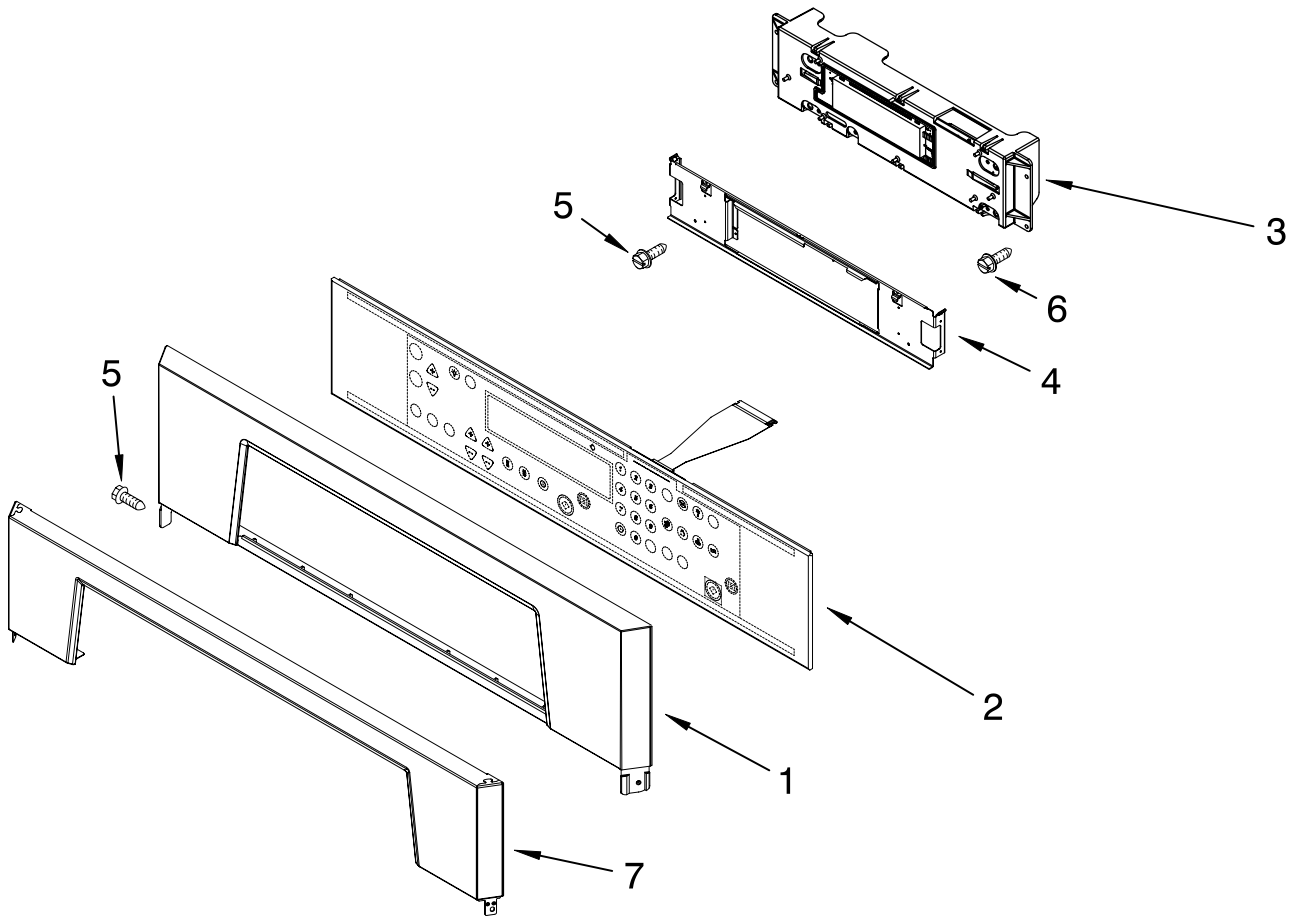
For Models: GBS277PRQ01, GBS277PRB01, GBS277PRS01
(Designer White) (Black) (Stainless Steel)

| Illus. No. | Part No. | DESCRIPTION | Illus. No. | Part No. | DESCRIPTION | Illus. No. | Part No. | DESCRIPTION |
|------------|----------|---------------------------------|------------|----------|--------------------------------|--------------------------------------------|----------|----------------------------------|
| 1 | | Literature Parts | 7 | 4455864 | Top Chassis | 27 | | Liner, Oven (Not serviceable) |
| | 8303648 | Installation | 8 | 3196176 | Screw (2) | | | |
| | | Instructions | 9 | 4452158 | Tube, Vent | 28 | 4448444 | Grommet |
| | | Owners Manual | 10 | 4452165 | Lens, Light | 29 | 4455636 | Sensor |
| | 8304075 | English | 11 | 4452368 | Light Assy, Rear | 30 | 4450118 | Nut |
| | 8304076 | French | 12 | 4452166 | Bulb, Light | 33 | 9760676 | Deflector, Vent |
| | 8301758 | Tech Sheet | 13 | 4449040 | Screw, 8-18 x 3/8 | 37 | | Safety (TOD) Swtch |
| | 8303946 | Installation/ Undercounter | 14 | 4455611 | Frame, Front | | 9759243 | Thermostat (temp) |
| | 8301928 | Installation/ Micro Trim Kit | 15 | 4455381 | Gasket, Door | 43 | 4455529 | Base, Chassis |
| | 3191638 | Safer Cooking Tips | 16 | 4452152 | Bracket, Mounting | 49 | 4448933 | Retainer, Gasket |
| | 9759133 | Safer Cooking Tips | 17 | 4449743 | Screw, 8-32 x 3/8 | 50 | 4451747 | Cover, Back |
| 2 | | Trim, Side | 18 | 4449154 | Screw | 51 | | Trim, Bottom |
| | 8302909 | RH White | 19 | 4451477 | Support, Insulation | | 8302938 | White |
| | 8302908 | RH Black | 21 | | Rail, Side | | 8302937 | Black |
| | 8303213 | RH S.Steel | | 8303115 | Right | | 8302940 | S.Steel |
| | 8302910 | LH White | | 8303116 | Left | 53 | 4449845 | Support, Bracket |
| | 8302907 | LH Black | 22 | 9760888 | Latch, Motorized | FOLLOWING PARTS NOT ILLUSTRATED | | |
| | 8303214 | LH S.Steel | 24 | | Screw | INSULATION | | |
| 3 | | Hinge Receiver | | 3400832 | Black | | | |
| | 4455605 | Left Hand | 25 | 4455641 | Side, Chassis (R.H. & L.H.) | | | |
| | 4455606 | Right Hand | 26 | 4452233 | Back, Chassis | | | |
| 4 | | Bumper, Door | | | | | 4449315 | Insulation, Wrap |
| 5 | | Screw, 8-18 x 3/8 | | | | | 4450364 | Insulation, Back |
| 6 | | Spacer, Foam | | | | | | |

FOR ORDERING INFORMATION REFER TO PARTS PRICE LIST

CONTROL PANEL PARTS

For Models: GBS277PRQ01, GBS277PRB01, GBS277PRS01
 (Designer White) (Black) (Stainless Steel)

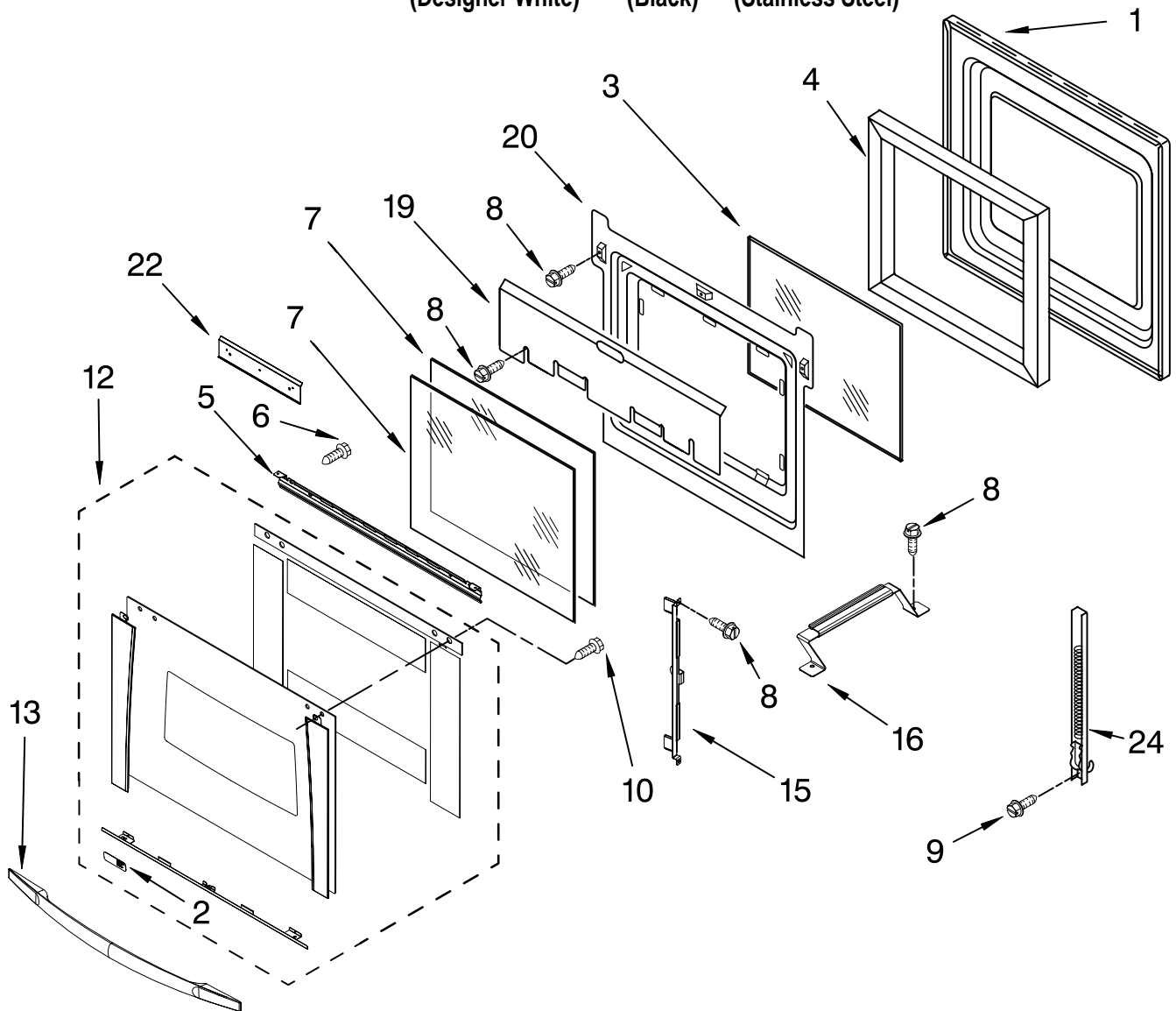


| Illus. No. | Part No. | DESCRIPTION |
|------------|---------------------------------------------------|-------------------------------------------|
| 1 | 8302845 White 8302844 Black 8302878 S.Steel | Control Panel |
| 2 | 8303180 Black 8303222 White | Assy, Switch |
| 3 | 8303885 | Assy, Control |
| 4 | 8304162 | Backer, Control |
| 5 | 4449745 | Screw |
| 6 | 3400832 | Screw |
| 7 | 8302878 | Trim-Panel (Use on S.Steel model only) |

FOR ORDERING INFORMATION REFER TO PARTS PRICE LIST

OVEN DOOR PARTS

For Models: GBS277PRQ01, GBS277PRB01, GBS277PRS01
(Designer White) (Black) (Stainless Steel)



| Illus. No. | Part No. | DESCRIPTION |
|------------|----------|-------------------|
| 1 | 8303699 | Door Liner |
| 2 | 8303810 | Nameplate |
| 3 | 4449253 | Glass, Inner |
| 4 | 4451721 | Insulation, Door |
| 5 | 8303166 | Bracket, Handle |
| 6 | 4451040 | Screw |
| 7 | 9759224 | Glass, Inner |
| 8 | 4449809 | Screw, 8-18 x 3/8 |
| 9 | 4449743 | Screw |

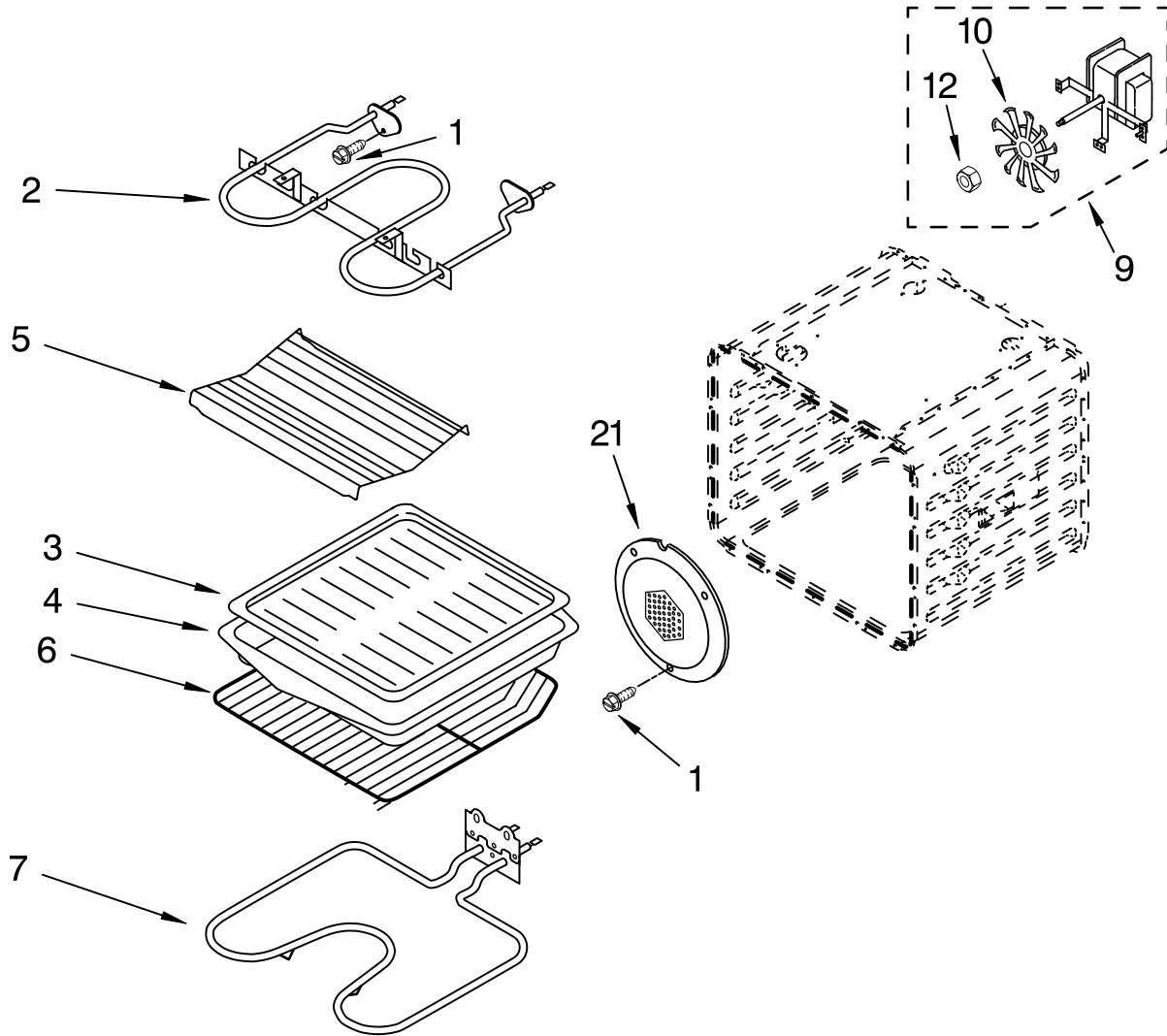
| Illus. No. | Part No. | DESCRIPTION |
|------------|----------|------------------|
| 10 | 3400832 | Screw |
| 12 | | Door Glass, Assy |
| | 8303304 | White |
| | 8303298 | Black |
| 13 | 8303286 | S.Steel |
| | | Door Handle |
| | 8302811 | White |
| | 8302810 | Black |
| | 8303163 | S.Steel |

| Illus. No. | Part No. | DESCRIPTION |
|------------|----------|--------------------|
| 15 | 9759229 | Bracket(2nd Glass) |
| 16 | 9759230 | Bracket(3rd Glass) |
| 19 | 4457102 | Shield, Heat |
| 20 | 4457131 | Retainer, Glass |
| 22 | 4457113 | Shield, Heat (Btm) |
| 24 | | Hinge, Door |
| | 9760575 | Right Side |
| | 9760576 | Left Side |

FOR ORDERING INFORMATION REFER TO PARTS PRICE LIST

INTERNAL OVEN PARTS

For Models: GBS277PRQ01, GBS277PRB01, GBS277PRS01
 (Designer White) (Black) (Stainless Steel)

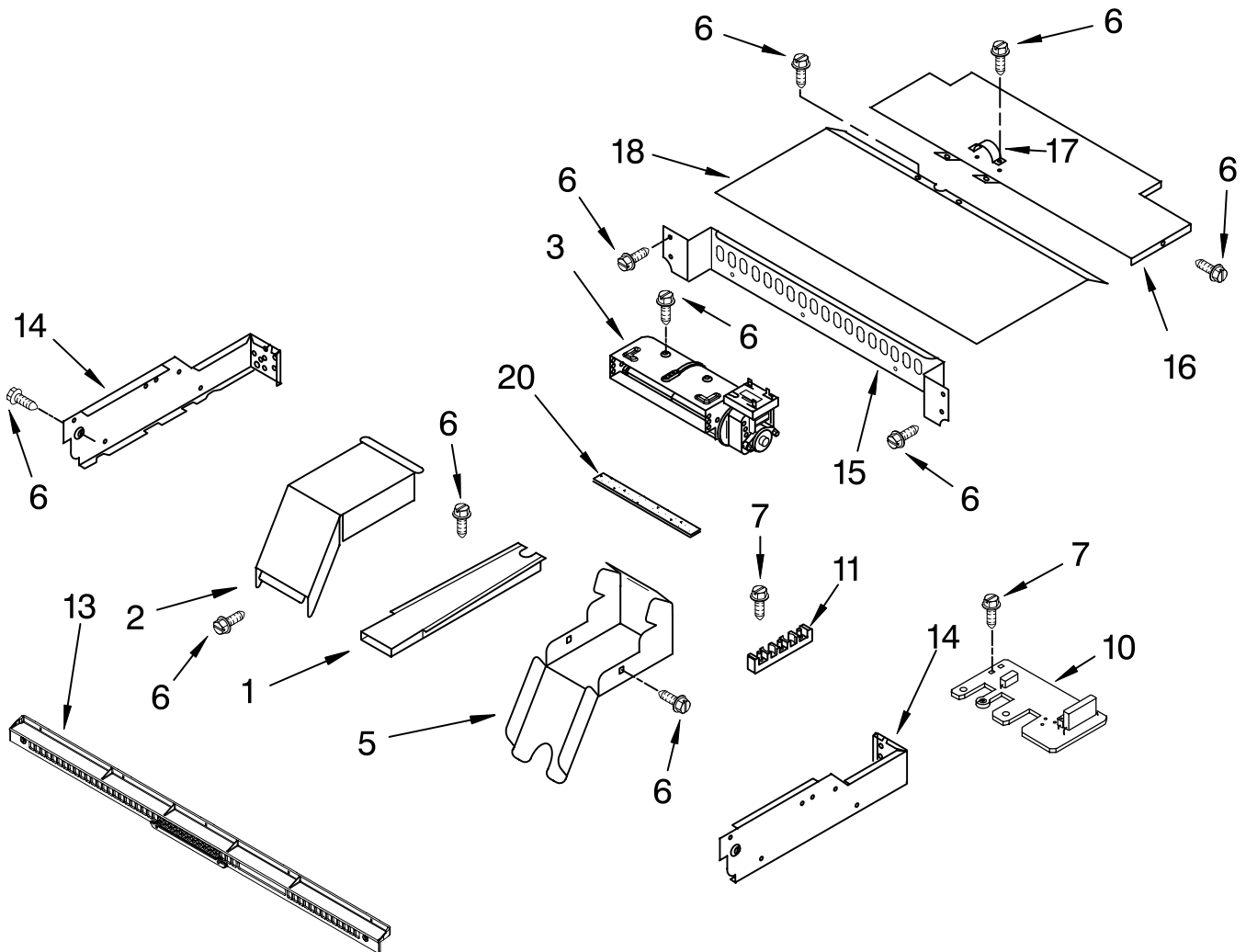


| Illus. No. | Part No. | DESCRIPTION |
|------------|----------|-------------------|
| 1 | 4449154 | Screw |
| 2 | 4456103 | Element, Broil |
| 3 | 4457277 | Grill, Broiler |
| 4 | 4457276 | Pan, Broiler |
| 5 | 3181534 | Rack, Roasting |
| 6 | 4448715 | Rack, Oven |
| 7 | 4452153 | Element, Bake |
| 9 | 4451583 | Motor, Convection |
| | 4452226 | Blade, Fan |
| | 4452227 | Nut |
| 21 | 4448988 | Cover, Fan |

FOR ORDERING INFORMATION REFER TO PARTS PRICE LIST

TOP VENTING PARTS

For Models: GBS277PRQ01, GBS277PRB01, GBS277PRS01
(Designer White) (Black) (Stainless Steel)



| Illus. No. | Part No. | DESCRIPTION |
|------------|----------|--------------------|
| 1 | 4451759 | Vent, Exhaust |
| 2 | 4455178 | Elbow, Vent-Top |
| 3 | 4457289 | Blower 60MM |
| 5 | 4455177 | Elbow, Vent-Bottom |
| 6 | 4449809 | Screw, 8-18 x 3/8 |
| 7 | 3400080 | Screw |
| 10 | 4451985 | Suppressor |

| Illus. No. | Part No. | DESCRIPTION |
|------------|----------|-----------------------|
| 11 | 4449868 | Block, Terminal |
| 13 | 8303498 | Vent, (Control Panel) |
| 14 | 4450038 | Screw |
| | 4451597 | Right |
| | 4451598 | Left |

| Illus. No. | Part No. | DESCRIPTION |
|------------|----------|------------------|
| 15 | 9759135 | Back, Control |
| 16 | 4450550 | Cover, Top Rear |
| 17 | 4448664 | Clamp |
| 18 | 4452366 | Cover, Top Front |
| 20 | 4451758 | Seal, Foam |

FOR ORDERING INFORMATION REFER TO PARTS PRICE LIST

OPTIONAL PARTS

For Models: GBS277PRQ01, GBS277PRB01, GBS277PRS01
(Designer White) (Black) (Stainless Steel)

| Illus. No. | Part No. | DESCRIPTION |
|----------------------------------------|----------|-------------------------------|
| <u>PAINT, TOUCH-UP (1/2oz.)</u> | | |
| | 72017 | White |
| | 261869 | Cord Brown |
| | 72032 | Black |
| <u>PAINT, SPRAY</u> | | |
| | 350930 | White |
| | 261900 | Citrine White |
| | 830864 | Black |
| <u>ADHESIVE</u> | | |
| | 591014 | Adhesive Loctite (1/3 oz.) |
| | 482338 | Sealer, Silastic (3 oz.) |

| Illus. No. | Part No. | DESCRIPTION |
|-------------------------------------|----------|-------------------------------|
| <u>SPLICING WIRES--25FT.</u> | | |
| <u>LENGTH</u> | | |
| | 242828 | Wire (12 Ga. 150 c Black) |
| | 242820 | Wire (14 Ga. 150 c Black) |
| | 242821 | Wire (14 Ga. 150 c Blue) |
| | 242822 | Wire (14 Ga. 150 c Brown) |
| | 242830 | Wire (14 Ga. 200 c Brown) |
| | 242823 | Wire (14 Ga. 150 c Green) |
| | 242824 | Wire (14 Ga. 150 c Orange) |
| | 242825 | Wire (14 Ga. 150 c Red) |
| | 242831 | Wire (14 Ga. 200 c Red) |
| | 242827 | Wire (14 Ga. 150 c Yellow) |

| Illus. No. | Part No. | DESCRIPTION |
|------------------------------------|----------|--------------------|
| <u>WIRING HARNESS PARTS</u> | | |
| | 4450952 | Conduit Asm. |
| | 4450800 | Screw, Ground |
| | 4452400 | Lead - Grnd Strap |
| | 4448664 | Clamp |
| | 4449809 | Screw |
| | 112432 | Nut |
| | 8301399 | Harness, (Main) |
| | 4451761 | Support, Wiring |
| | 4454842 | Tie, Cable |
| | 4454835 | Tie, Cable |
| | 4452222 | Spacer, Harness |
| <u>INSTALLATION KIT</u> | | |
| | 814381 | Pin Hinge Kit |
| <u>Miscellaneous</u> | | |
| | 4448950 | Screw, Install (4) |

FOR ORDERING INFORMATION REFER TO PARTS PRICE LIST

Free Manuals Download Website

<http://myh66.com>

<http://usermanuals.us>

<http://www.somanuals.com>

<http://www.4manuals.cc>

<http://www.manual-lib.com>

<http://www.404manual.com>

<http://www.luxmanual.com>

<http://aubethermostatmanual.com>

Golf course search by state

<http://golfingnear.com>

Email search by domain

<http://emailbydomain.com>

Auto manuals search

<http://auto.somanuals.com>

TV manuals search

<http://tv.somanuals.com>