

for
IKEA®
by
WHIRLPOOL CORPORATION

BUILT-IN ELECTRIC CONVECTION OVEN

Use & Care Guide

For questions about features, operation/performance,
parts, accessories or service, call: **1-800-253-1301**.

In Canada, call for assistance **1-800-461-5681**, for installation
and service, call: **1-800-807-6777**

or visit our website at www.ikea.com

FOUR À CONVECTION ÉLECTRIQUE ENCASTRÉ

Guide d'utilisation et d'entretien

Au Canada, pour assistance, composez le **1-800-461-5681**, pour
installation ou service, le **1-800-807-6777**

ou visitez notre site web à www.ikea.com

Table of Contents/Table des matières..... 2

Models/Modèles

IBS550P
IBS330P
IBD550P

8304083

TABLE OF CONTENTS

OVEN SAFETY	3
PARTS AND FEATURES	4
ELECTRONIC OVEN CONTROL	5
Display	6
Selector and Set Control Knobs	6
Enter and Cancel	6
Clock	6
OVEN USE	6
Aluminum Foil	6
Positioning Racks and Bakeware	6
Bakeware	7
Meat Thermometer	7
Oven Vent	7
Baking and Roasting	7
Broiling	8
Keep Warm	9
Convection Cooking	9
Convection Baking and Roasting	9
Timed Cooking	10
OVEN CARE	11
Self-Cleaning Cycle	11
General Cleaning	12
Oven Lights	12
Oven Door	12
TROUBLESHOOTING	13
ASSISTANCE OR SERVICE	14
In the U.S.A.	14
In Canada	14
WARRANTY	15

TABLE DES MATIÈRES

SÉCURITÉ DU FOUR	16
PIÈCES ET CARACTÉRISTIQUES	17
COMMANDE ÉLECTRONIQUE DU FOUR	18
Affichage	19
Boutons de sélection et de réglage	19
Entrée et annulation	19
Horloge	19
UTILISATION DU FOUR	19
Papier d'aluminium	19
Positionnement des grilles et des ustensiles de cuisson	19
Ustensiles de cuisson	20
Thermomètre à viande	20
Évent du four	21
Cuisson au four et rôtissage	21
Cuisson au gril	21
Maintien au chaud	22
Cuisson par convection	22
Cuisson au four et rôtissage par convection	23
Cuisson minutée	24
ENTRETIEN DU FOUR	24
Programme d'autonettoyage	24
Nettoyage général	25
Lampes du four	26
Porte du four	26
DÉPANNAGE	26
ASSISTANCE OU SERVICE	27
GARANTIE	28

OVEN SAFETY

Your safety and the safety of others are very important.

We have provided many important safety messages in this manual and on your appliance. Always read and obey all safety messages.



This is the safety alert symbol.

This symbol alerts you to potential hazards that can kill or hurt you and others.

All safety messages will follow the safety alert symbol and either the word "DANGER" or "WARNING."

These words mean:

⚠ DANGER

You can be killed or seriously injured if you don't immediately follow instructions.

⚠ WARNING

You can be killed or seriously injured if you don't follow instructions.

All safety messages will tell you what the potential hazard is, tell you how to reduce the chance of injury, and tell you what can happen if the instructions are not followed.

IMPORTANT SAFETY INSTRUCTIONS

WARNING: To reduce the risk of fire, electrical shock, injury to persons, or damage when using the oven, follow basic precautions, including the following:

- Proper Installation – Be sure the oven is properly installed and grounded by a qualified technician.
- Never Use the Oven for Warming or Heating the Room.
- Do Not Leave Children Alone – Children should not be left alone or unattended in area where oven is in use. They should never be allowed to sit or stand on any part of the oven.
- Wear Proper Apparel – Loose-fitting or hanging garments should never be worn while using the oven.
- User Servicing – Do not repair or replace any part of the oven unless specifically recommended in the manual. All other servicing should be referred to a qualified technician.
- Storage in Oven – Flammable materials should not be stored in an oven.
- Do Not Use Water on Grease Fires – Smother fire or flame or use dry chemical or foam-type extinguisher.
- Use Only Dry Potholders – Moist or damp potholders on hot surfaces may result in burns from steam. Do not let potholder touch hot heating elements. Do not use a towel or other bulky cloth.
- Use Care When Opening Door – Let hot air or steam escape before removing or replacing food.
- Do Not Heat Unopened Food Containers – Build-up of pressure may cause container to burst and result in injury.

- Keep Oven Vent Ducts Unobstructed.
- Placement of Oven Racks – Always place oven racks in desired location while oven is cool. If rack must be moved while oven is hot, do not let potholder contact hot heating element in oven.
- DO NOT TOUCH HEATING ELEMENTS OR INTERIOR SURFACES OF OVEN – Heating elements may be hot even though they are dark in color. Interior surfaces of an oven become hot enough to cause burns. During and after use, do not touch, or let clothing or other flammable materials contact heating elements or interior surfaces of oven until they have had sufficient time to cool. Other surfaces of the oven may become hot enough to cause burns – among these surfaces are oven vent openings and surfaces near these openings, oven doors, and windows of oven doors.

For self-cleaning ovens:

- Do Not Clean Door Gasket – The door gasket is essential for a good seal. Care should be taken not to rub, damage, or move the gasket.
- Do Not Use Oven Cleaners – No commercial oven cleaner or oven liner protective coating of any kind should be used in or around any part of the oven.
- Clean Only Parts Listed in Manual.
- Before Self-Cleaning the Oven – Remove broiler pan and other utensils.

SAVE THESE INSTRUCTIONS

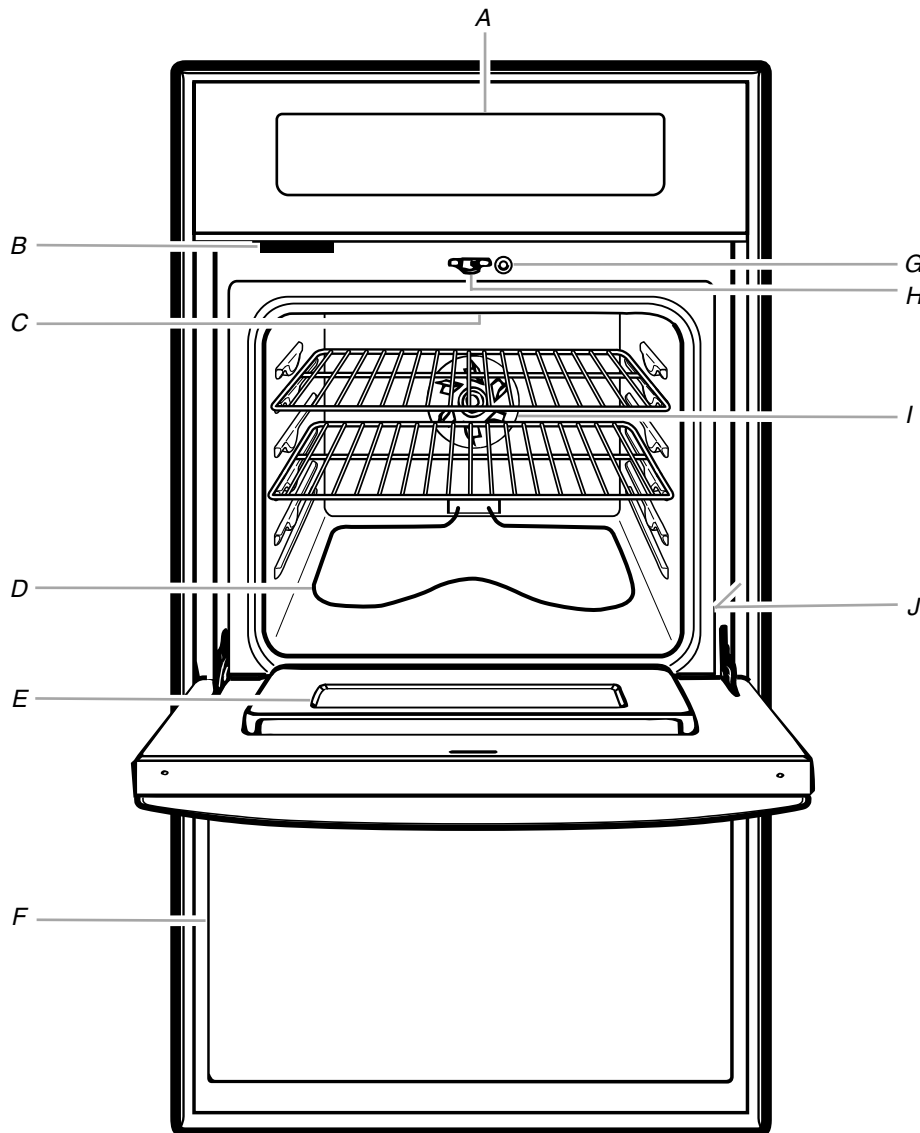
The California Safe Drinking Water and Toxic Enforcement Act requires the Governor of California to publish a list of substances known to the State of California to cause cancer, birth defects, or other reproductive harm, and requires businesses to warn of potential exposure to such substances.

WARNING: This product contains a chemical known to the State of California to cause cancer, birth defects, or other reproductive harm.

This appliance can cause low-level exposure to some of the substances listed, including benzene, formaldehyde, carbon monoxide, and toluene.

PARTS AND FEATURES

This manual covers different models. The oven you have purchased may have some or all of the items listed. The locations and appearances of the features shown here may not match those of your model.



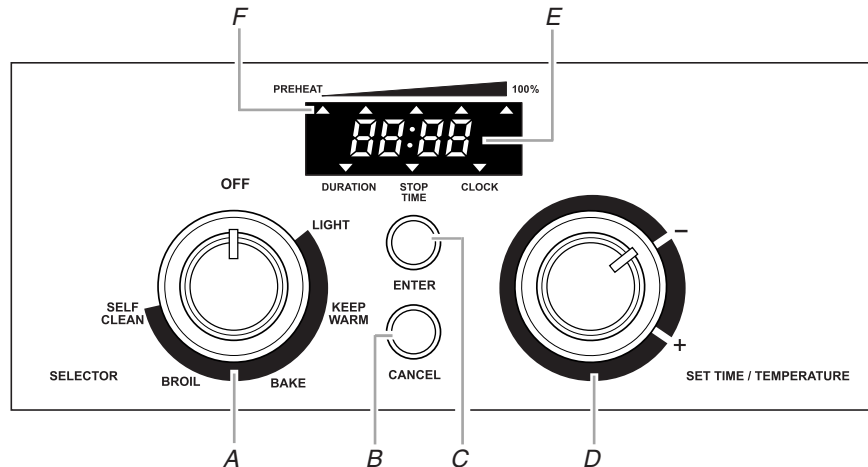
A. Electronic oven control
B. Oven vent
C. Broil element (not shown)
D. Bake element
E. Oven door window

F. Lower oven
G. Oven door switch
H. Oven lock latch
I. Convection fan
J. Model and serial number plate
(on right mounting rail)

Parts and Features not shown

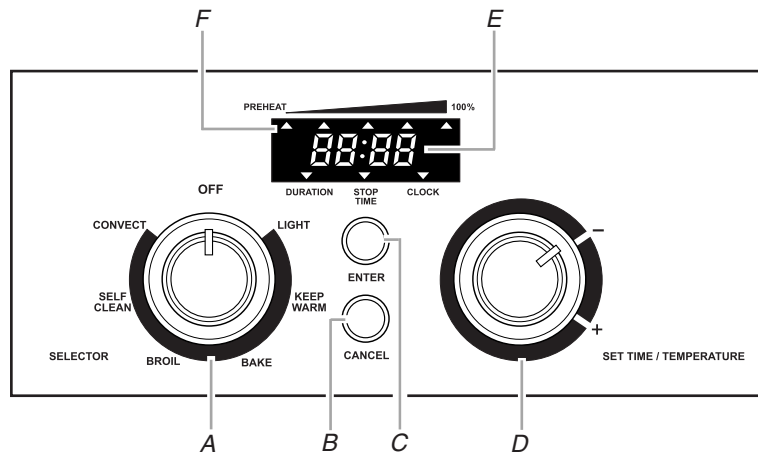
Oven lights
Broiler pan and grid
Roasting rack

ELECTRONIC OVEN CONTROL



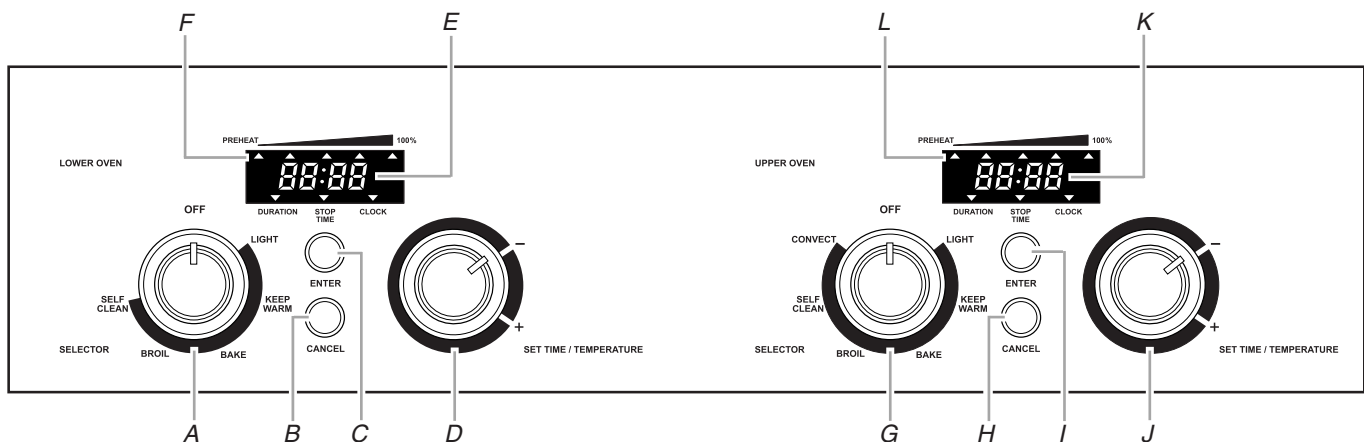
A. Selector knob
B. Cancel button
C. Enter button

D. Set time/temperature knob
E. Electronic control display
F. Preheat indicators



A. Selector knob
B. Cancel button
C. Enter button

D. Set time/temperature knob
E. Electronic control display
F. Preheat indicators



Lower Oven

A. Selector knob
B. Cancel button
C. Enter button

D. Set time/temperature knob
E. Electronic control display
F. Preheat indicator

Upper Oven

G. Selector knob
H. Cancel button
I. Enter button

J. Set time/temperature knob
K. Electronic control display
L. Preheat indicator

Display

When power is first supplied to the appliance, "PF" will appear. If "PF" appears at any other time, a power failure has occurred. Turn the SELECTOR control knob to the OFF position, press the ENTER button, and follow the clock setting instructions in the "Clock" section.

Selector and Set Control Knobs

All cooking functions are set with the SELECTOR control knob. The selected function will automatically begin with current settings after 10 seconds if other settings are not changed.

Once a cycle is complete, turn the SELECTOR control knob to the OFF position to select a new function.

All temperature or time adjustments are set with the SET control knob. All temperature adjustments are displayed in 5°F (3°C) increments. The speed with which the knob is turned is reflected on the display.

Enter and Cancel

The ENTER button begins any oven function. The CANCEL button stops any oven function except for the Clock/Time of Day. After canceling an operation, "End" will be displayed to show the function was canceled. The cooling fan might continue operating after a function has ended, but will shut off automatically when the oven has cooled.

Clock

This is a 12-hour clock and does not show a.m. or p.m.

To Set :

1. Turn the SELECTOR knob to the OFF position.
2. Press the ENTER button until the display shows "12:00" and the CLOCK indicator is blinking.
3. Turn the SET knob to set the time of day.
4. Press the ENTER button to accept time on the display.
5. On double oven models only, the clock can be set from either electronic oven control. The time will automatically update on the second clock after Step 4.

To Change: Repeat steps 2-4 to change time of day on the display.

OVEN USE

Odors and smoke are normal when the oven is used the first few times, or when it is heavily soiled.

IMPORTANT: The health of some birds is extremely sensitive to the fumes given off. Exposure to the fumes may result in death to certain birds. Always move birds to another closed and well-ventilated room.

Aluminum Foil

IMPORTANT: Do not line the oven bottom with any type of foil, liners or cookware because permanent damage will occur to the oven bottom finish.

- Do not cover entire rack with foil because air must be able to move freely for best cooking results.
- To catch spills, place foil on rack below dish. Make sure foil is at least 1" (2.5 cm) larger than the dish and that it is turned up at the edges.

Positioning Racks and Bakeware

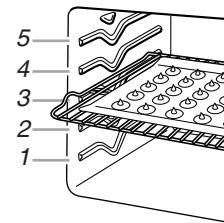
IMPORTANT: Do not place food or bakeware directly on the oven door or bottom. Permanent damage will occur to the porcelain finish.

RACKS

NOTES:

- Position racks before turning on the oven.
- Do not position racks with bakeware on them.
- Make sure racks are level.

To move a rack, pull it out to the stop position, raise the front edge, then lift out. Use the following illustration and charts as a guide.



Traditional Cooking

FOOD	RACK POSITION
Frozen pies, large roasts, turkeys, angel food cakes	1 or 2
Bundt cakes, most quick breads, yeast breads, casseroles, meats	2
Cookies, biscuits, muffins, cakes, nonfrozen pies	2 or 3

Convection Cooking

OVEN SETTING	NUMBER OF RACKS USED	RACK POSITION(S)
Convect	1	1, 2 or 3
Convect	2	2 and 4
Convect	3	1, 3 and 5

BAKEWARE

To cook food evenly, hot air must be able to circulate. Allow 2" (5 cm) of space around bakeware and oven walls. Use the following chart as a guide.

NUMBER OF PAN(S)	POSITION ON RACK
1	Center of rack.
2	Side by side or slightly staggered.
3 or 4	Opposite corners on each rack. Make sure that no bakeware piece is directly over another.

Bakeware

The bakeware material affects cooking results. Follow manufacturer's recommendations and use the bakeware size recommended in the recipe. Use the following chart as a guide.

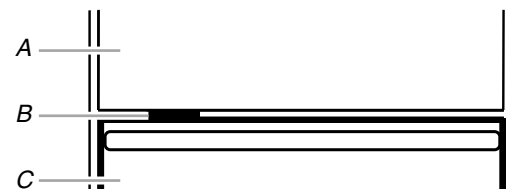
BAKEWARE/ RESULTS	RECOMMENDATIONS
Light colored aluminum <ul style="list-style-type: none"> ■ Light golden crusts ■ Even browning 	<ul style="list-style-type: none"> ■ Use temperature and time recommended in recipe.
Dark aluminum and other bakeware with dark, dull and/or nonstick finish <ul style="list-style-type: none"> ■ Brown, crisp crusts 	<ul style="list-style-type: none"> ■ May need to reduce baking temperatures 25°F (15°C). ■ Use suggested baking time. ■ For pies, breads and casseroles, use temperature recommended in recipe. ■ Place rack in center of oven.
Insulated cookie sheets or baking pans <ul style="list-style-type: none"> ■ Little or no bottom browning 	<ul style="list-style-type: none"> ■ Place in the bottom third of oven. ■ May need to increase baking time.
Stainless steel <ul style="list-style-type: none"> ■ Light, golden crusts ■ Uneven browning 	<ul style="list-style-type: none"> ■ May need to increase baking time.
Stoneware <ul style="list-style-type: none"> ■ Crisp crusts 	<ul style="list-style-type: none"> ■ Follow manufacturer's instructions.
Ovenproof glassware, ceramic glass or ceramic <ul style="list-style-type: none"> ■ Brown, crisp crusts 	<ul style="list-style-type: none"> ■ May need to reduce baking temperatures 25°F (15°C).

Meat Thermometer

On models without a temperature probe, always rely on a meat thermometer to determine doneness of meat and poultry. The internal temperature, not appearance, is what counts. A meat thermometer is not supplied with this appliance.

- Insert the thermometer into the center of the thickest portion of the meat or inner thigh or breast of poultry. The tip of the thermometer should not touch fat, bone or gristle.
- After reading the thermometer once, push it into the meat ½" (1.25 cm) more and read again. If the temperature drops, cook the meat or poultry longer.
- Check all meat in 2 or 3 places.

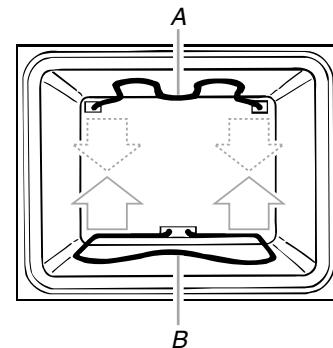
Oven Vent



A. Upper oven
B. Oven vent
C. Lower oven

The oven vent should not be blocked or covered since it allows the release of hot air and moisture from the oven. Blocking or covering vents will cause poor air circulation, affecting cooking and cleaning results. Do not set plastics, paper or other items that could melt or burn near the oven vent.

Baking and Roasting



A. Broil element
B. Bake element

The Bake function is ideal for baking, roasting or heating casseroles.

During baking or roasting, the bake and broil elements will cycle on and off in intervals to maintain oven temperature. The bake element will glow red when cycling on; the broil element will not glow red. This feature is automatically activated when the oven is in use.

If the oven door is opened during baking or roasting, the broil and bake elements will turn off immediately. They will come back on once the door is closed.

To Bake or Roast:

Before baking and roasting, position racks according to the "Positioning Racks and Bakeware" section. When roasting, it is not necessary to wait for the oven to preheat before putting food in, unless recommended in the recipe.

On double oven models only, be sure to set the correct controls for the oven (upper or lower) you want to use.

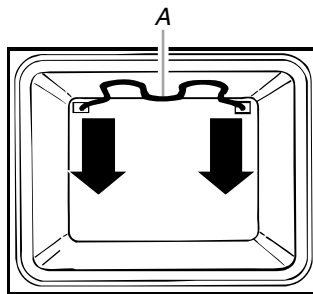
1. Turn the SELECTOR knob to BAKE. The display will read 350°F (177°C).
2. Turn the SET knob to desired temperature. The bake range can be set between 170°F and 500°F (77°C and 260°C).
3. Press the ENTER button to start, or after 10 seconds, the function will start automatically.
4. Turn the SELECTOR knob to the OFF position when finished cooking.

Preheating

As the oven heats up, the preheat indicator arrows will turn on in sequence. When the set temperature is reached, one tone will sound.

Waiting an additional 10 minutes after preheating has finished to put food into the oven is suggested when baking foods with leavening ingredients, such as yeast, baking powder, baking soda and eggs.

Broiling



A. Broil element

Broiling uses direct radiant heat to cook food. Changing the temperature when broiling allows more precise control when cooking. The lower the temperature, the slower the cooking. Thicker cuts and unevenly shaped pieces of meat, fish and poultry may cook better at lower broiling temperatures.

- Use only the broiler pan and grid provided with the appliance. It is designed to drain juices and help prevent spatter and smoke.
- For proper draining, do not cover the grid with foil. The bottom of the pan may be lined with aluminum foil for easier cleaning.
- Trim excess fat to reduce spattering. Slit the remaining fat on the edges to prevent curling.
- Pull out oven rack to stop position before turning or removing food. Use tongs to turn food to avoid the loss of juices. Very thin cuts of fish, poultry or meat may not need to be turned.
- After broiling, remove the pan from the oven when removing the food. Drippings will bake on the pan if left in the heated oven, making cleaning more difficult.

Before broiling, position rack according to Broiling Chart. It is not necessary to preheat the oven before putting food in unless recommended in the recipe. Position food on grid in the broiler pan, then place it in the center of the oven rack.

On double oven models only, be sure to set the correct controls for the oven (upper or lower) you want to use.

To Broil:

1. Close the door.
2. Turn the SELECTOR knob to BROIL. "HI" will appear on the display.
3. Turn the SET knob to the desired broil level.
4. Press the ENTER button to start, or after 10 seconds, the function will start automatically.
5. Turn the SELECTOR knob to the OFF position when finished cooking.

Broil Settings

Use the following chart when setting broiling levels and broiling temperatures. As the broil percentage decreases, the element cycles on and off to provide the selected heat setting.

Broil Level	Broil Percentage
HI	100
Br4	90
Br3	80
Br2	70
LOW	60

BROILING CHART

For best results, place food 3" (7 cm) or more from the broil burner. Times are guidelines only and may need to be adjusted for individual tastes. Recommended rack positions are numbered from the bottom (1) to the top (5). For diagram, see the "Positioning Racks and Bakeware" section.

FOOD	RACK POSITION	BROIL LEVEL	TOTAL TIME (min.)
Steak			
1" (2.5 cm) thick			
medium rare	4	HI	21-23
medium	4	HI	23-25
well-done	4	HI	27-29
Ground meat patties*			
¾" (2 cm) thick			
well-done	4	HI	20-22
Pork chops			
1" (2.5 cm) thick	4	HI	30-33
Lamb chops			
1" (2.5 cm) thick	4	HI	22-26
Chicken			
bone-in pieces	3	HI	34-40
boneless breasts	4	HI	22-32
Fish Fillets			
¼-½" (0.6-1.3 cm) thick	4	HI	12-15
Steaks			
¾-1" (2-2.5 cm) thick	4	HI	24-27

*Place up to 9 patties, equally spaced, on broiler grid.

Keep Warm

! WARNING

Food Poisoning Hazard

Do not let food sit in oven more than one hour before or after cooking.

Doing so can result in food poisoning or sickness.

IMPORTANT: The Keep Warm function allows hot cooked foods to stay warm before serving.

On double oven models only, be sure to set the correct controls for the oven (upper or lower) you want to use.

To Use:

1. Turn the SELECTOR knob to KEEP WARM.
2. The display will show 170°F (77°C).
3. Press ENTER button to start, or after 10 seconds, the function will start automatically.
4. Turn the SELECTOR knob to the OFF position when finished.

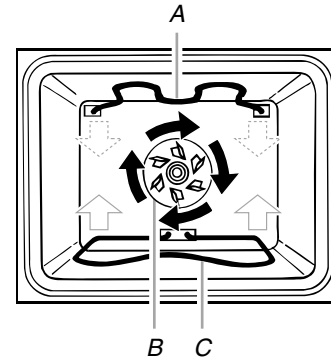
Convection Cooking (on some models)

In a convection oven, the fan-circulated hot air continually distributes heat more evenly than the natural movement of air in a standard thermal oven. This movement of hot air helps maintain a consistent temperature throughout the oven, cooking foods more evenly, crisping surfaces while sealing in moisture and yielding crustier breads.

Most foods can be cooked by lowering cooking temperatures 25°F to 50°F (14°C to 28°C) and cooking time can be shortened by as much as 30 percent, especially for large turkeys and roasts.

- It is important not to cover foods with lids or aluminum foil so that surface areas remain exposed to the circulating air, allowing browning and crisping.
- Keep heat loss to a minimum by opening the oven door only when necessary.
- Choose cookie sheets without sides and roasting pans with lower sides to allow air to move freely around the food.
- Test baked goods for doneness a few minutes before the minimum cooking time with an alternative method such as using a toothpick.
- Use a meat thermometer or the temperature probe to determine the doneness of meats and poultry. Check the temperature of pork and poultry in 2 or 3 places.

Convection Baking and Roasting



A. Broil element
B. Convection fan
C. Bake element

During convection baking or roasting, the bake and broil elements cycle on and off in intervals to maintain the oven temperature, while the fan constantly circulates the hot air.

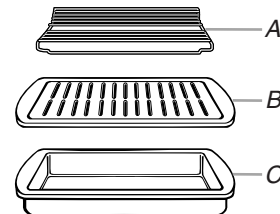
If the oven door is opened during convection baking or roasting, the bake and broil elements and fan will turn off immediately. They will come back on once the door is closed.

Reduce recipe temperature 25°F (14°C). The cook time may need to be reduced also.

To Convection Bake or Roast:

Before convection baking or roasting, position the racks according to the “Positioning Racks and Bakeware” section.

When roasting with CONVECT, use the roasting rack on top of the broiler pan and grid. It is not necessary to wait for the oven to preheat before putting in food, unless it is recommended in the recipe.



A. Roasting rack
B. Broiler grid
C. Broiler pan

On double oven models only, be sure to set the correct controls for the oven (upper or lower) you want to use.

1. Turn the SELECTOR knob to CONVECT. The display will read 300°F (149°C).
2. Turn the SET knob to desired temperature. The convection roast range can be set between 170°F and 500°F (77°C and 260°C).
3. Press the ENTER button to start, or after 10 seconds, the function will start automatically.
4. Turn the SELECTOR knob to the OFF position when finished cooking.

Convection Roasting Chart

Use the following chart below when convection roasting meats and poultry.

Food/Rack Position	Cook Time (minutes per 1 lb)	Oven Temp.	Internal Food Temp.
Beef, Rack Position 2			
Rib Roast			
rare	20-25	300°F (149°C)	140°F (60°C)
medium	25-30		160°F (71°C)
well-done	30-35		170°F (77°C)
Rib Roast (boneless)			
rare	22-25	300°F (149°C)	140°F (60°C)
medium	27-30		160°F (71°C)
well-done	32-35		170°F (77°C)
Rump, Sirloin Tip Roast			
rare	20-25	300°F (149°C)	140°F (60°C)
medium	25-30		160°F (71°C)
well-done	30-35		170°F (77°C)
Meat Loaf			
	20-25	325°F (160°C)	170°F (77°C)
Veal, Rack Position 2			
Loin, Rib, Rump Roast			
medium	25-35	325°F (160°C)	160°F (71°C)
well-done	30-40		170°F (77°C)
Pork, Rack Position 2			
Loin Roast (boneless)			
	30-40	325°F (160°C)	170°F (77°C)
Shoulder Roast			
	35-40	325°F (160°C)	170°F (77°C)
Ham, Rack Position 2			
Fresh (uncooked)			
	25-35	300°F (149°C)	170°F (77°C)
Fully Cooked			
	15-20	300°F (149°C)	170°F (77°C)
Lamb, Rack Position 2			
Leg, Shoulder Roast			
medium	25-30	300°F (149°C)	160°F (71°C)
well-done	30-35		170°F (77°C)
Chicken, Rack Position 2*			
Whole			
3-5 lbs (1.5-2.2 kg)	20-25	325°F (160°C)	185°F (85°C)
5-7 lbs (2.2-3.1 kg)	15-20	325°F (160°C)	185°F (85°C)

Food/Rack Position	Cook Time (minutes per 1 lb)	Oven Temp.	Internal Food Temp.
Turkey, Rack Positions 1 or 2*			
13 lbs and under (5.85 kg)	10-15	300°F (149°C)	185°F (85°C)
Over 13 lbs (5.85 kg)	10-12	300°F (149°C)	185°F (85°C)
Cornish Game Hens, Rack Position 2 or 3*			
1-1.5 lbs (0.5-0.7 kg)	50-60	325°F (160°C)	185°F (85°C)

*Do not stuff poultry when convection roasting.

Timed Cooking

WARNING

Food Poisoning Hazard

Do not let food sit in oven more than one hour before or after cooking.

Doing so can result in food poisoning or sickness.

Timed Cooking allows the oven to be set to turn on at a certain time of day, cook for a set length of time, and/or shut off automatically.

Delay start should not be used for food such as breads and cakes because they may not bake properly.

If there is a pause of 20 seconds between any of the following steps, the function will automatically begin with the current settings.

On double oven models only, be sure to set the correct controls for the oven (upper or lower) you want to use.

To Set a Cook Time:

1. Turn the SELECTOR knob to the desired cook function.
2. Turn the SET knob to the desired temperature.
3. Press the ENTER button twice. The DURATION indicator will flash and “-0:00” will show on the display.
4. Turn the SET knob to set the length of time to cook.
5. Press the ENTER button again to view the stop time. If you want to delay cooking, choose a different stop time. To set a different stop time, turn the SET knob. The oven will turn on at the appropriate time based on the length of time and stop time chosen.
6. Press the ENTER button or Timed Cooking will automatically begin in 20 seconds.

To Cancel Duration and Stop Time Functions:

Turn the SELECTOR knob to the OFF position or press the CANCEL button.

OVEN CARE

Self-Cleaning Cycle

! WARNING



Burn Hazard

Do not touch the oven during the Self-Cleaning cycle.

Keep children away from oven during Self-Cleaning cycle.

Failure to follow these instructions can result in burns.

IMPORTANT: The health of some birds is extremely sensitive to the fumes given off during the Self-Cleaning cycle. Exposure to the fumes may result in death to certain birds. Always move birds to another closed and well-ventilated room.

Self-clean the oven before it becomes heavily soiled. Heavy soil results in longer cleaning and more smoke.

Keep the kitchen well-ventilated during the Self-Cleaning cycle to help get rid of heat, odors, and smoke.

Do not block the oven vent(s) during the Self-Cleaning cycle. Air must be able to move freely. Depending on your model, see "Oven Vent" or "Oven Vents" section.

Do not clean, rub, damage or move the oven door gasket. The door gasket is essential for a good seal.

Prepare Oven:

- Remove the broiler pan, grid, cookware and bakeware and, on some models, the temperature probe from the oven.
- Remove any foil from the oven because it may burn or melt, damaging the oven.
- Remove oven racks to keep them shiny and easy to slide. See "General Cleaning" section for more information.
- Hand clean inside door edge and the 1½" (3.8 cm) area around the inside oven cavity frame, being certain not to move or bend the gasket. This area does not get hot enough during self-cleaning to remove soil. Do not let water, cleaner, etc. enter slots on door frame. Use a damp cloth to clean this area.
- Wipe out any loose soil to reduce smoke and avoid damage. At high temperatures, foods react with porcelain. Staining, etching, pitting or faint white spots can result. This will not affect cooking performance.

How the Cycle Works

IMPORTANT: The heating and cooling of porcelain on steel in the oven may result in discoloring, loss of gloss, hairline cracks and popping sounds.

The Self-Cleaning cycle uses very high temperatures, burning soil to a powdery ash.

The oven is preset for a 3 hour 30 minute clean cycle.

Once the oven has completely cooled, remove ash with a damp cloth. Do not wipe down any of the inside surfaces until the oven has completely cooled down. Applying a cool damp cloth to the inner door glass before it has completely cooled could result in the glass breaking.

The oven light will not work during the Self-Cleaning cycle.

On double oven models only, be sure to set the correct controls for the oven (upper or lower) you want to use.

To Self-Clean:

Before self-cleaning, make sure the door is closed completely or it will not lock and the cycle will not begin.

1. Turn the SELECTOR knob to CLEAN.
2. Turn the SET knob to "On."
3. Press the ENTER button to start a preset non-adjustable 3 hour 30 minute cycle.

REMEMBER: On double oven models only, when one oven cavity is in self-cleaning cycle the other oven cannot be used.

To Delay Start Self-Clean:

Before delay starting Self-Clean, make sure the clock is set to the correct time of day. See "Clock" section. Also, make sure the door is closed completely or it will not lock and the cycle will not begin.

1. Turn the SELECTOR knob to SELF CLEAN.
2. Turn the SET knob to "On."
3. Press the ENTER button to start a preset non-adjustable 3 hour 30 minute cycle.
4. Press the ENTER button twice. The time the cycle will end is displayed and STOP TIME indicators will blink.
5. Turn the SET knob to STOP TIME.
6. Press the ENTER button.

Both the DURATION and STOP TIME indicators will glow.

To Stop Self-Clean anytime:

Turn the SELECTOR knob to the OFF position or press the CANCEL button. If the oven temperature is too high, the door will remain locked. It will not unlock until the oven cools.

General Cleaning

IMPORTANT: Before cleaning, make sure all controls are off and the oven is cool. Always follow label instructions on cleaning products.

Soap, water and a soft cloth or sponge are suggested first unless otherwise noted.

STAINLESS STEEL (on some models)

Do not use soap-filled scouring pads, abrasive cleaners, Cooktop Polishing Creme, steel-wool pads, gritty washcloths or some paper towels. Damage may occur.

Rub in direction of grain to avoid damaging.

- Stainless Steel Cleaner & Polish (not included): See "Assistance or Service" section to order.
- Liquid detergent or all-purpose cleaner: Rinse with clean water and dry with soft, lint-free cloth.
- Vinegar for hard water spots.

OVEN DOOR EXTERIOR

- Glass cleaner and paper towels or nonabrasive plastic scrubbing pad: Apply glass cleaner to soft cloth or sponge, not directly on panel.

CONTROL PANEL

Do not use abrasive cleaners, steel-wool pads, gritty washcloths or some paper towels. Damage may occur.

- Glass cleaner and soft cloth or sponge: Apply glass cleaner to soft cloth or sponge, not directly on panel.

OVEN CAVITY

Do not use oven cleaners.

Food spills should be cleaned when oven cools. At high temperatures, foods react with porcelain and staining, etching, pitting or faint white spots can result.

- Self-Cleaning cycle: See "Self-Cleaning Cycle" first.

OVEN RACKS AND ROASTING RACKS

- Self-Cleaning cycle:
See "Self-Cleaning Cycle" first. Remove racks or they will discolor and become harder to slide. If this happens, a light coating of vegetable oil applied to the rack guides will help them slide.
- Steel-wool pad

BROILER PAN AND GRID (on some models)

Do not clean in the Self-Cleaning cycle (on some models).

- Mildly abrasive cleanser:
Scrub with wet scouring pad.
- Solution of ½ cup (125 mL) ammonia to 1 gal. (3.75 L) water:
Soak for 20 minutes, then scrub with scouring or steel-wool pad.
- Oven cleaner: Follow product label instructions.

Porcelain enamel only, not chrome

- Dishwasher

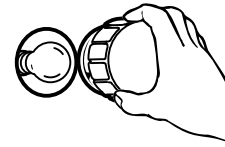
Oven Lights

The oven lights are standard 40-watt appliance bulbs. They will come on when the oven is operating in any cook mode. The oven lights will not work during the Self-Cleaning cycle and when the selector knob is set to Off.

To Replace:

Before replacing, make sure the oven is off and cool.

1. Disconnect power.
2. Turn the glass bulb cover in the back of the oven counterclockwise to remove.



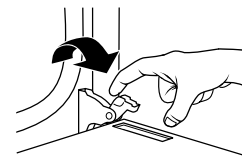
3. Turn bulb counterclockwise to remove from socket.
4. Replace bulb and bulb cover by turning clockwise.
5. Reconnect power.

Oven Door

For normal range use, it is not suggested to remove the oven door. However, if removal is necessary, make sure the oven is off and cool. Then, follow these instructions. The oven door is heavy.

To Remove:

1. Open oven door all the way.
2. Flip up the hinge latch on each side.



3. Close the oven door as far as it will shut.
4. Lift the oven door while holding both sides.

Continue to push the oven door closed and pull it away from the oven door frame.



To Replace:

1. Insert both hanger arms into the door.



2. Open the oven door.
You should hear a "click" as the door is set into place.
3. Move the hinge levers back to the locked position. Ensure that the door is free to open and close. If it is not, repeat the removal and installation procedures.

TROUBLESHOOTING

Try the solutions suggested here first in order to avoid the cost of an unnecessary service call.

Nothing will operate

- **Has a household fuse blown, or has a circuit breaker tripped?**
Replace the fuse or reset the circuit breaker. If the problem continues, call an electrician.
 - **Is the appliance wired properly?**
See Installation Instructions.
-

Oven will not operate

- **Is the electronic oven control set correctly?**
See "Electronic Oven Control" section.
 - **On double oven models, has the correct oven been selected?**
Make sure to set the correct controls for the oven (upper or lower) you want to use.
 - **On double oven models, is one oven self-cleaning?**
When one oven is self-cleaning the other oven cannot be set or turned on.
-

Cooling fan runs during baking, broiling or cleaning

- It is normal for the fan to automatically run while the oven is in use to cool the electronic control, and may run for up to 45 minutes after oven has been turned off.
-

Display shows messages

- **Is the display showing "PF"**
There has been a power failure. Clear the display. See "Display(s)" section. Set the clock, if needed. See "Clock" section.
 - **Is the display showing a letter followed by a number?**
Clear the display. See "Display(s)" section. If it reappears, call for service. See "Assistance or Service" section.
-

Self-Cleaning cycle will not operate

- **Is the oven door open?**
Close the oven door all the way.
 - **Has the function been entered?**
See "Self-Cleaning Cycle" section.
 - **Has a delay start Self-Clean cycle been set?**
See "Self-Cleaning Cycle" section.
 - **Has a delay start been set?**
See "Timed Cooking" section.
 - **On double oven models, is one oven self-cleaning?**
When one oven is self-cleaning, the other oven cannot be set to self-clean.
-

Oven cooking results not what expected

- **Is the appliance level?**
Level the appliance. See the Installation Instructions.
- **Is the proper temperature set?**
Increase or decrease temperature 25°F (14°C).
- **Was the oven preheated?**
Wait for oven to preheat before placing food in oven.
- **Is the proper bakeware being used?**
See "Bakeware" section.
- **Are the racks positioned properly?**
See "Positioning Racks and Bakeware" section.
- **Is there proper air circulation around bakeware?**
See "Positioning Racks and Bakeware" section.
- **Is the batter evenly distributed in the pan?**
Check to make sure batter is level in the pan.
- **Is the proper length of time being used?**
Increase or decrease baking or broiling time.
- **Has the oven door been opened while cooking?**
Oven peeking releases oven heat and can result in longer cooking times.
- **Are baked items too brown on the bottom?**
Move rack to higher position in the oven.
or
Decrease the oven temperature.
- **Are pie crust edges browning early?**
Use aluminum foil to cover the edge of the crust and/or reduce baking temperature.

ASSISTANCE OR SERVICE

Before calling for assistance or service, please check "Troubleshooting." It may save you the cost of a service call. If you still need help, follow the instructions below.

When calling, please know the purchase date and the complete model and serial number of your appliance. This information will help us to better respond to your request.

If you need replacement parts

If you need to order replacement parts, we recommend that you use only factory specified parts. Factory specified parts will fit right and work right because they are made with the same precision used to build every new IKEA® appliance.

To locate factory specified parts in your area, call us or your nearest designated service center.

In the U.S.A.

Call the Whirlpool Customer eXperience Center toll free: **1-800-253-1301**.

Our consultants provide assistance with:

- Features and specifications on our full line of appliances.
- Installation information.
- Use and maintenance procedures.
- Accessory and repair parts sales.
- Specialized customer assistance (Spanish speaking, hearing impaired, limited vision, etc.).
- Referrals to local dealers, repair parts distributors, and service companies. Whirlpool designated service technicians are trained to fulfill the product warranty and provide after-warranty service, anywhere in the United States.

To locate the Whirlpool designated service company in your area, you can also look in your telephone directory Yellow Pages.

For further assistance

If you need further assistance, you can write to Whirlpool Corporation with any questions or concerns at:

Whirlpool Brand Home Appliances
Customer eXperience Center
553 Benson Road
Benton Harbor, MI 49022-2692

Please include a daytime phone number in your correspondence.

Accessories U.S.A.

To order accessories, call the Whirlpool Customer eXperience Center toll free at **1-800-442-9991** and follow the menu prompts. Or visit our website at www.ikea.com and click on "Buy Accessories Online."

Stainless Steel Cleaner & Polish

(stainless steel models)

Order Part Number 4396095

In Canada

For product related questions, please call the Whirlpool Canada LP Customer Interaction Centre toll free at: **1-800-461-5681**.

Our consultants provide assistance with:

- Features and specifications on our full line of appliances.
- Referrals to local dealers.

For parts, accessories and service in Canada

Call **1-800-807-6777**. Whirlpool Canada LP designated service technicians are trained to fulfill the product warranty and provide after-warranty service, anywhere in Canada.

For further assistance

If you need further assistance, you can write to Whirlpool Canada LP with any questions or concerns at:

Customer Interaction Centre
Whirlpool Canada LP
1901 Minnesota Court
Mississauga, Ontario L5N 3A7

Please include a daytime phone number in your correspondence.

WHIRLPOOL CORPORATION MAJOR APPLIANCE WARRANTY

ONE YEAR LIMITED WARRANTY

For one year from the date of purchase, when this major appliance is operated and maintained according to instructions attached to or furnished with the product, Whirlpool Corporation or Whirlpool Canada LP (hereafter "Whirlpool") will pay for FSP® replacement parts and repair labor to correct defects in materials or workmanship. Service must be provided by a Whirlpool designated service company.

ITEMS WHIRLPOOL WILL NOT PAY FOR

1. Service calls to correct the installation of your major appliance, to instruct you how to use your major appliance, to replace or repair house fuses or to correct house wiring or plumbing.
 2. Service calls to repair or replace appliance light bulbs, air filters or water filters. Those consumable parts are excluded from warranty coverage.
 3. Repairs when your major appliance is used for other than normal, single-family household use.
 4. Damage resulting from accident, alteration, misuse, abuse, fire, flood, acts of God, improper installation, installation not in accordance with electrical or plumbing codes, or use of products not approved by Whirlpool.
 5. Any food loss due to refrigerator or freezer product failures.
 6. Replacement parts or repair labor costs for units operated outside the United States or Canada.
 7. Pickup and delivery. This major appliance is designed to be repaired in the home.
 8. Repairs to parts or systems resulting from unauthorized modifications made to the appliance.
 9. Expenses for travel and transportation for product service in remote locations.
 10. The removal and reinstallation of your appliance if it is installed in an inaccessible location or is not installed in accordance with published installation instructions.
-

DISCLAIMER OF IMPLIED WARRANTIES; LIMITATION OF REMEDIES

CUSTOMER'S SOLE AND EXCLUSIVE REMEDY UNDER THIS LIMITED WARRANTY SHALL BE PRODUCT REPAIR AS PROVIDED HEREIN. IMPLIED WARRANTIES, INCLUDING WARRANTIES OF MERCHANTABILITY OR FITNESS FOR A PARTICULAR PURPOSE, ARE LIMITED TO ONE YEAR OR THE SHORTEST PERIOD ALLOWED BY LAW. WHIRLPOOL SHALL NOT BE LIABLE FOR INCIDENTAL OR CONSEQUENTIAL DAMAGES. SOME STATES AND PROVINCES DO NOT ALLOW THE EXCLUSION OR LIMITATION OF INCIDENTAL OR CONSEQUENTIAL DAMAGES, OR LIMITATIONS ON THE DURATION OF IMPLIED WARRANTIES OF MERCHANTABILITY OR FITNESS, SO THESE EXCLUSIONS OR LIMITATIONS MAY NOT APPLY TO YOU. THIS WARRANTY GIVES YOU SPECIFIC LEGAL RIGHTS AND YOU MAY ALSO HAVE OTHER RIGHTS, WHICH VARY FROM STATE TO STATE OR PROVINCE TO PROVINCE.

Outside the 50 United States and Canada, this warranty does not apply. Contact your authorized Whirlpool dealer to determine if another warranty applies.

If you need service, first see the "Troubleshooting" section of the Use & Care Guide. After checking "Troubleshooting," additional help can be found by checking the "Assistance or Service" section or by calling Whirlpool. In the U.S.A., call **1-800-253-1301**. In Canada, call **1-800-807-6777**.

8/05

Keep this book and your sales slip together for future reference. You must provide proof of purchase or installation date for in-warranty service.

Write down the following information about your major appliance to better help you obtain assistance or service if you ever need it. You will need to know your complete model number and serial number. You can find this information on the model and serial number label located on the product.

Dealer name _____
Address _____
Phone number _____
Model number _____
Serial number _____
Purchase date _____

SÉCURITÉ DU FOUR

Votre sécurité et celle des autres est très importante.

Nous donnons de nombreux messages de sécurité importants dans ce manuel et sur votre appareil ménager. Assurez-vous de toujours lire tous les messages de sécurité et de vous y conformer.



Voici le symbole d'alerte de sécurité.

Ce symbole d'alerte de sécurité vous signale les dangers potentiels de décès et de blessures graves à vous et à d'autres.

Tous les messages de sécurité suivront le symbole d'alerte de sécurité et le mot "DANGER" ou "AVERTISSEMENT". Ces mots signifient :

⚠ DANGER

Risque possible de décès ou de blessure grave si vous ne suivez pas immédiatement les instructions.

⚠ AVERTISSEMENT

Risque possible de décès ou de blessure grave si vous ne suivez pas les instructions.

Tous les messages de sécurité vous diront quel est le danger potentiel et vous disent comment réduire le risque de blessure et ce qui peut se produire en cas de non-respect des instructions.

IMPORTANTES INSTRUCTIONS DE SÉCURITÉ

AVERTISSEMENT : Pour réduire le risque d'incendie, de choc électrique, de blessures corporelles ou de dommages lors de l'utilisation du four, il convient d'observer certaines précautions élémentaires dont les suivantes :

- Installation appropriée – S'assurer que le four est convenablement installé et relié à la terre par un technicien qualifié.
- Ne jamais utiliser le four pour chauffer ou réchauffer une pièce.
- Ne pas laisser les enfants seuls – Les enfants ne doivent pas être laissés seuls ou sans surveillance dans la pièce où le four est en service. Ne jamais laisser les enfants s'asseoir ou se tenir sur une partie quelconque du four.
- Porter des vêtements appropriés – Les vêtements amples ou détachés ne doivent jamais être portés pendant l'utilisation du four.
- Entretien par l'utilisateur – Ne pas réparer ni remplacer toute pièce du four si ce n'est pas spécifiquement recommandé dans le manuel. Toute autre opération d'entretien ou de réparation doit être confiée à un technicien qualifié.
- Ne pas utiliser d'eau pour éteindre un feu de graisse – Éteuffer le feu ou les flammes ou utiliser des extincteurs polyvalents à produits chimiques secs ou un extincteur à mousse.
- Utiliser seulement des mitaines sèches de four – Des mitaines de four mouillées ou humides sur des surfaces chaudes peuvent provoquer des brûlures provenant de la vapeur. Ne pas laisser les mitaines de four toucher les éléments chauffants. Ne pas utiliser une serviette ou un tissu épais.
- Exercer une grande prudence lors de l'ouverture de la porte. Laisser l'air chaud ou la vapeur s'échapper avant d'enlever ou de remplacer un plat.
- Ne pas faire chauffer des contenants fermés – L'accumulation de pression peut causer une explosion du contenant et des blessures.

- Ne jamais obstruer les ouvertures des événements.
- Placement des grilles du four – Toujours placer les grilles du four à l'endroit désiré, lorsque le four est froid. Si la grille doit être déplacée lorsque le four est chaud, ne pas laisser des mitaines de four toucher l'élément chauffant dans le four.
- Remisage dans le four – Des matériaux inflammables ne doivent pas être remisés dans un four.
- NE PAS TOUCHER LES ÉLÉMENTS CHAUFFANTS OU LES SURFACES INTÉRIEURES DU FOUR – les éléments chauffants peuvent être chauds même s'ils ont une teinte foncée. Les surfaces intérieures de four deviennent assez chaudes pour causer des brûlures. Pendant et après l'utilisation, ne pas toucher ou laisser des vêtements ou autres matériaux inflammables venir en contact avec les éléments chauds ou les surfaces intérieures chaudes du four avant qu'ils aient eu assez de temps pour refroidir. D'autres surfaces du four peuvent devenir assez chaudes pour causer des brûlures. Ces surfaces comprennent les ouvertures de l'événement du four et la surface près de ces ouvertures, les portes du four, et les hublots des portes du four.

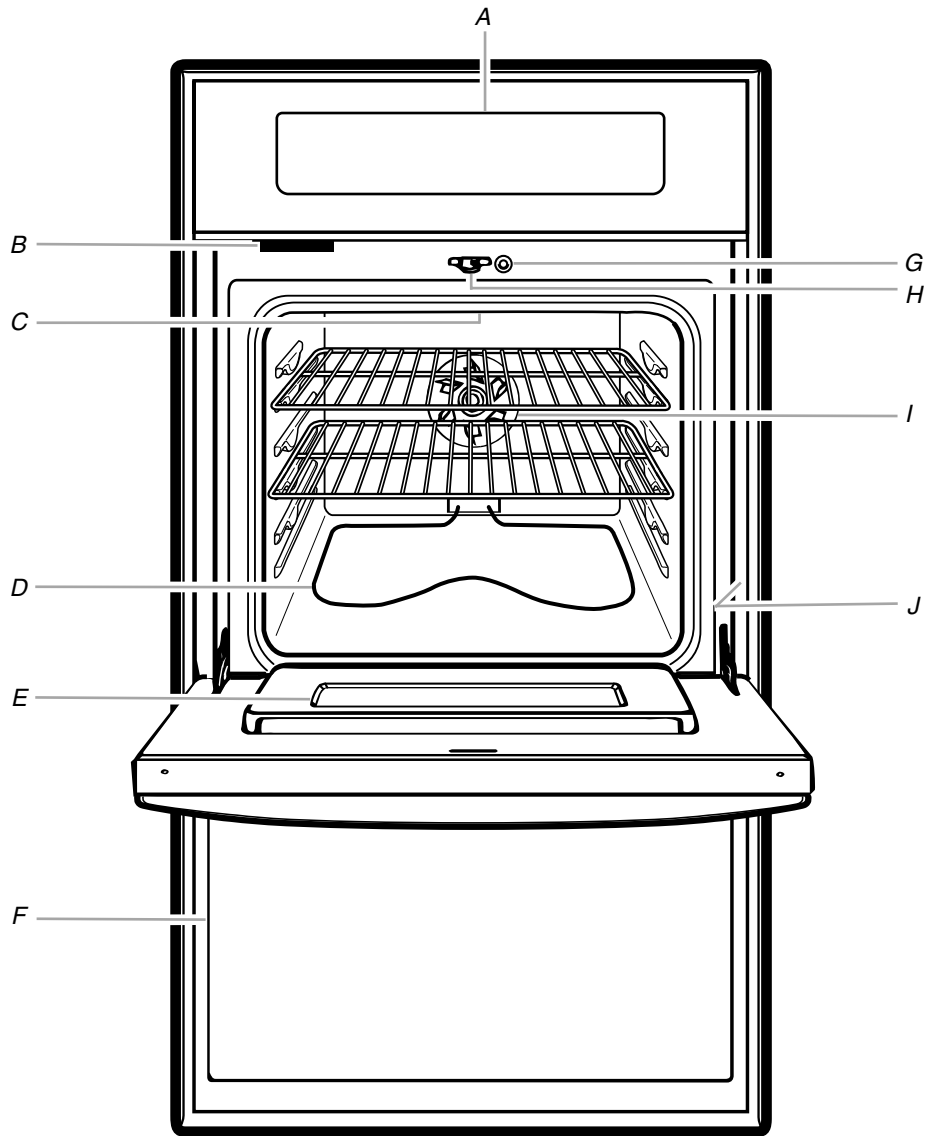
Fours autonettoyants :

- Ne pas nettoyer le joint de la porte – Le joint de la porte est essentiel pour l'étanchéité. Veiller à ne pas froter, endommager ou déplacer le joint.
- Ne pas utiliser les produits commerciaux de nettoyage de four – On ne doit pas utiliser un produit commercial de nettoyage de four ou un enduit de protection des surfaces internes du four quel qu'en soit le type, sur les surfaces du four ou les surfaces voisines.
- Nettoyer uniquement les pièces indiquées dans le manuel.
- Avant d'exécuter le programme d'autonettoyage du four, enlever la lèchefrite et sa grille et les autres ustensiles.

CONSERVEZ CES INSTRUCTIONS

PIÈCES ET CARACTÉRISTIQUES

Ce manuel couvre différents modèles. Le four que vous avez acheté peut comporter quelques-uns ou tous les articles énumérés. L'emplacement et l'apparence des caractéristiques illustrées peuvent ne pas correspondre à ceux de votre modèle.



A. Commande électronique du four

B. Évent du four

C. Élément de cuisson au gril (non illustré)

D. Élément de cuisson au four

E. Hublot de la porte du four

F. Four inférieur

G. Interrupteur de porte du four

H. Loquet de verrouillage du four

I. Ventilateur de convection

J. Plaque signalétique de numéro de modèle et de série (sur la glissière à droite)

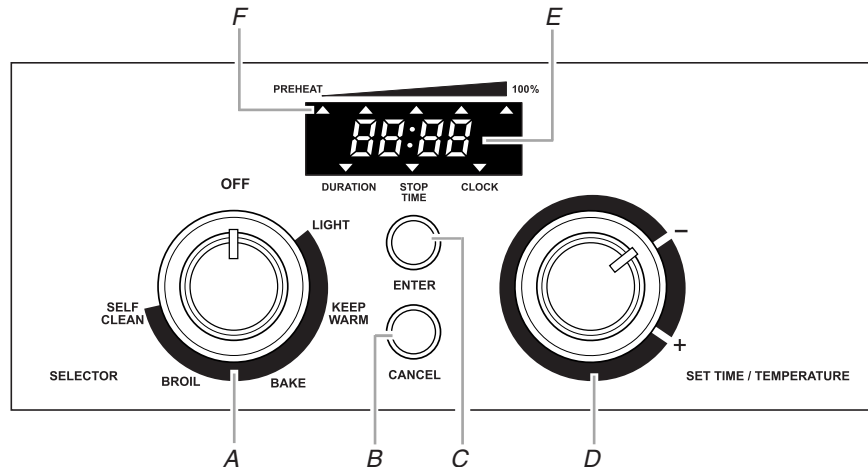
Pièces et caractéristiques non illustrées

Lampes du four

Lèche-frite et grille

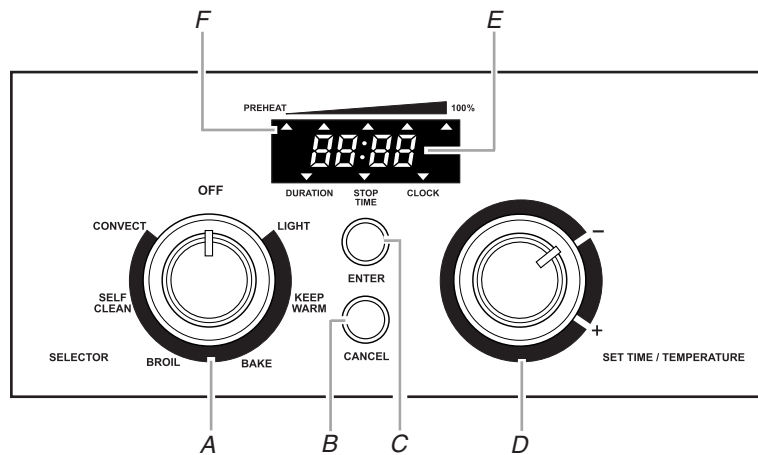
Grille de rôtissage

COMMANDE ÉLECTRONIQUE DU FOUR



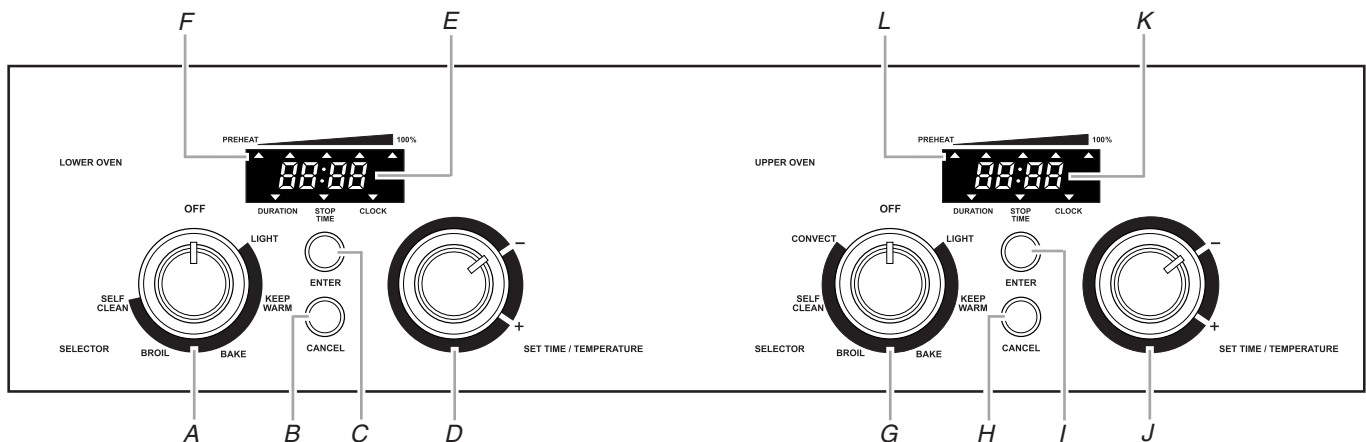
A. Bouton de sélection
B. Bouton d'annulation
C. Bouton d'entrée

D. Bouton de réglage de l'heure/température
E. Affichage de commande électronique
F. Indicateurs de préchauffage



A. Bouton de sélection
B. Bouton d'annulation
C. Bouton d'entrée

D. Bouton de réglage de l'heure/température
E. Affichage de commande électronique
F. Indicateurs de préchauffage



Four inférieur

A. Bouton de sélection
B. Bouton d'annulation
C. Bouton d'entrée

D. Bouton de réglage de l'heure/
température
E. Affichage de commande électronique
F. Indicateur de préchauffage

Four supérieur

G. Bouton de sélection
H. Bouton d'annulation
I. Bouton d'entrée

J. Bouton de réglage de l'heure/
température
K. Affichage de commande électronique
L. Indicateur de préchauffage

Affichage

Lors de la mise sous tension initiale de l'appareil, "PF" apparaîtra. Si "PF" apparaît à tout autre moment, une panne de courant s'est produite. Tourner le bouton de SÉLECTION à la position OFF (arrêt), appuyer sur ENTER (entrée) et suivre les instructions de réglage de l'horloge à la section "Horloge".

Boutons de sélection et de réglage

Toutes les fonctions de cuisson sont réglées avec le bouton de SÉLECTION. La fonction sélectionnée débutera automatiquement avec les réglages existants après 10 secondes si d'autres réglages ne sont pas effectués.

Une fois qu'un programme est terminé, tourner le bouton de SÉLECTION à la position OFF (arrêt) pour sélectionner une nouvelle fonction.

Tous les ajustements de la température ou de l'heure sont réglés avec le bouton SET (réglage). Tous les ajustements de température sont affichés par incréments de 5°F (3°C). La vitesse de rotation du bouton est reflétée sur l'afficheur.

Entrée et annulation

Le bouton ENTER met en marche toute fonction du four. Le bouton CANCEL arrête toute fonction du four à l'exception de l'horloge. Après l'annulation d'une opération, "End" (fin) indiquera que la fonction a été annulée. Le ventilateur de refroidissement peut continuer à fonctionner après la fin d'une fonction, mais s'arrêtera automatiquement dès que le four aura refroidi.

Horloge

Cette horloge de 12 heures n'indique pas a.m. ou p.m.

Réglage :

1. Tourner le bouton de SÉLECTION à la position OFF (arrêt).
2. Appuyer sur le bouton ENTER jusqu'à ce que l'afficheur indique "12:00" et que l'indicateur CLOCK (horloge) clignote.
3. Appuyer sur le bouton SET (réglage) pour régler l'heure.
4. Appuyer sur le bouton ENTER pour valider l'heure affichée.
5. Sur les fours doubles, l'horloge peut être réglée à partir de l'une ou l'autre des commandes électroniques du four. L'heure se mettra à jour automatiquement sur la seconde horloge après l'étape 4.

Modification : Répéter les étapes 2 à 4 pour modifier l'heure affichée.

UTILISATION DU FOUR

Des odeurs et de la fumée sont normales lorsque le four est utilisé les premières fois, ou lorsqu'il est très sale.

IMPORTANT : La santé de certains oiseaux est très sensible aux émanations de fumée. L'exposition aux émanations peut entraîner la mort de certains oiseaux. Toujours déplacer les oiseaux dans une autre pièce fermée et bien aérée.

Papier d'aluminium

IMPORTANT : Ne pas garnir le fond du four avec n'importe quel type de papier d'aluminium, garnitures ou ustensiles de cuisson car le fini du fond du four subira des dommages permanents.

- Ne pas recouvrir totalement la grille avec une feuille d'aluminium; l'air doit pouvoir circuler librement pour obtenir les meilleurs résultats de cuisson.
- Pour récupérer les renversements, placer une feuille de papier d'aluminium sur la grille sur laquelle le mets est placé. Veiller à ce qu'elle dépasse d'au moins 1" (2,5 cm) tout autour du plat et à ce que les bords soient relevés.

Positionnement des grilles et des ustensiles de cuisson

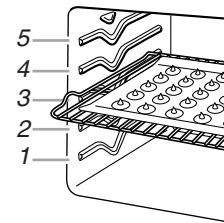
IMPORTANT : Ne pas placer les aliments ou les ustensiles de cuisson directement sur la porte ou sur le fond du four. Des dommages permanents au fini en porcelaine pourraient en résulter.

GRILLES

REMARQUES :

- Positionner les grilles avant d'allumer le four.
- Ne pas déplacer les grilles sur lesquelles repose un ustensile de cuisson.
- S'assurer que les grilles sont de niveau.

Pour retirer une grille, la tirer jusqu'à la position d'arrêt, soulever le bord avant et la sortir. Utiliser le schéma et les tableaux suivants comme guide.



Cuisson traditionnelle

ALIMENT	POSITION DE LA GRILLE
Tartes congelées, gros rôtis, dindes et gâteaux des anges	1 ou 2
Gâteaux Bundt, la plupart des pains éclairs, pains à la levure, mets en sauce et viandes	2
Biscuits, muffins, gâteaux et tartes non congelées	2 ou 3

Cuisson par convection

RÉGLAGE DU FOUR	NOMBRE DE GRILLES UTILISÉES	POSITION(S) DE LA GRILLE
Convect (convection)	1	1, 2 ou 3
Convect (convection)	2	2 et 4
Convect (convection)	3	1, 3 et 5

USTENSILES DE CUISSON

L'air chaud doit pouvoir circuler autour de l'aliment pour le cuire uniformément. Laisser 2" (5 cm) d'espace entre les ustensiles de cuisson et les parois du four. Se servir du tableau suivant comme guide.

NOMBRE D'USTENSILES	POSITION SUR LA GRILLE
1	Centre de la grille.
2	Côte à côte ou légèrement décalés.
3 ou 4	Dans les coins opposés sur chaque grille. Décaler les ustensiles de cuisson de sorte qu'aucun ne soit directement au-dessus de l'autre.

Ustensiles de cuisson

Le matériau des ustensiles de cuisson affecte les résultats de cuisson. Suivre les recommandations du fabricant et utiliser le format d'ustensiles recommandé dans la recette. Se servir du tableau suivant comme guide.

USTENSILES DE CUISSON/ RÉSULTATS	RECOMMANDATIONS
Aluminium légèrement coloré <ul style="list-style-type: none">■ Croûtes légèrement dorées■ Brunissage uniforme	<ul style="list-style-type: none">■ Utiliser la température et la durée recommandées dans la recette.
Aluminium foncé et autres ustensiles de cuisson avec fini foncé, terne et/ ou antiadhésif <ul style="list-style-type: none">■ Croûtes brunes, croustillantes	<ul style="list-style-type: none">■ Peut nécessiter de réduire les températures de cuisson de 25°F (15°C).■ Utiliser la durée de cuisson suggérée.■ Pour les tartes, pains et mets en sauce, utiliser la température recommandée dans la recette.■ Placer la grille au centre du four.

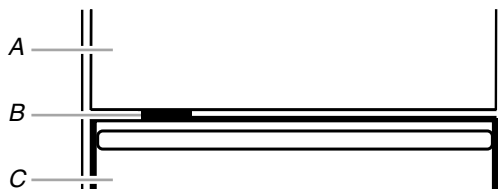
USTENSILES DE CUISSON/ RÉSULTATS	RECOMMANDATIONS
Tôles à biscuits ou moules à cuisson à isolation thermique <ul style="list-style-type: none">■ Brunissage faible ou non existant à la base	<ul style="list-style-type: none">■ Placer à la troisième position au bas du four.■ Peut nécessiter d'augmenter le temps de cuisson.
Acier inoxydable <ul style="list-style-type: none">■ Croûtes dorées, légères■ Brunissage inégal	<ul style="list-style-type: none">■ Peut nécessiter d'augmenter le temps de cuisson.
Plats en grès <ul style="list-style-type: none">■ Croûtes croustillantes	<ul style="list-style-type: none">■ Suivre les instructions du fabricant.
Plats en verre, vitrocéramique ou céramique allant au four <ul style="list-style-type: none">■ Croûtes brunes, croustillantes	<ul style="list-style-type: none">■ Peut nécessiter de réduire la température de cuisson de 25°F (15°C).

Thermomètre à viande

Sur les modèles sans sonde thermométrique, toujours se servir d'un thermomètre à viande pour vérifier la cuisson de la viande ou de la volaille. C'est la température interne qui importe et non l'apparence. Il n'y a pas de thermomètre à viande fourni avec cet appareil.

- Insérer le thermomètre au centre de la partie la plus épaisse de la viande ou à l'intérieur de la cuisse ou de la poitrine de la volaille. La pointe du thermomètre ne doit pas toucher le gras, l'os ou le cartilage.
- Après une première lecture, enfoncer 1/2" (1,25 cm) de plus et faire une autre lecture. Si la température est plus basse, faire cuire la viande ou la volaille plus longtemps.
- Vérifier toute viande à 2 ou 3 endroits.

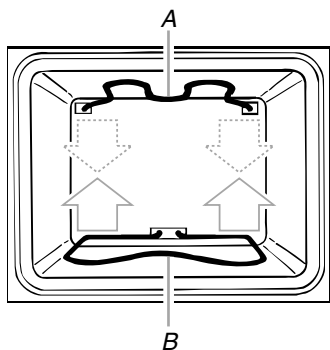
Évent du four



A. Four supérieur
B. Évent du four
C. Four inférieur

Ne pas obstruer ni couvrir l'évent du four car il permet à l'air chaud et à l'humidité de s'échapper du four. Son obstruction nuirait à la circulation adéquate de l'air et affecterait les résultats de cuisson et de nettoyage. Ne pas placer près de l'évent du four des produits en plastique, en papier ou autres articles qui pourraient fondre ou brûler.

Cuisson au four et rôtissage



A. Élément de cuisson au grill
B. Élément de cuisson au four

La fonction BAKE est idéale pour la cuisson au four, le rôtissage ou pour faire chauffer des mets en sauce.

Durant la cuisson au four ou le rôtissage, les éléments de cuisson au four et de grill s'allument et s'éteignent par intermittence afin de maintenir la température du four. L'élément de cuisson au four rougeoit lorsqu'il est allumé mais pas l'élément de cuisson au grill. Cette caractéristique est activée automatiquement lorsque le four est utilisé.

Si la porte du four est ouverte durant la cuisson au four ou le rôtissage, les éléments de cuisson au four et du grill s'éteindront immédiatement. Ils se rallumeront une fois la porte fermée.

Cuisson au four ou rôtissage :

Avant la cuisson au four et le rôtissage, placer les grilles tel qu'indiqué à la section "Positionnement des grilles et des ustensiles de cuisson". Lors du rôtissage, il n'est pas nécessaire de préchauffer le four avant d'y placer l'aliment, sauf si la recette le recommande.

Sur les fours doubles seulement, s'assurer de régler les commandes appropriées pour le four (supérieur ou inférieur) qu'on souhaite utiliser.

1. Tourner le bouton de SÉLECTION à BAKE (cuisson au four). L'afficheur indiquera 350°F (177°C).
2. Tourner le bouton SET (réglage) à la température désirée. La température de cuisson au four peut être réglée entre 170°F et 500°F (77°C et 260°C).

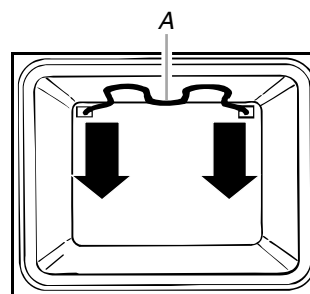
3. Appuyer sur le bouton ENTER (entrée), ou attendre 10 secondes et la fonction commencera automatiquement.
4. Tourner le bouton de SÉLECTION à la position OFF (arrêt) après la cuisson.

Préchauffage

Au fur et à mesure du chauffage du four, les flèches d'indication du préchauffage s'allumeront automatiquement par séquence. Lorsque la température réglée est atteinte, un signal sonore se fait entendre.

On recommande d'attendre encore 10 minutes après la fin du préchauffage avant de mettre les aliments au four lorsqu'on fait cuire des aliments comportant des levains tels que levure de bière, poudre à lever, bicarbonate de soude et œufs.

Cuisson au grill



A. Élément de cuisson au grill

La cuisson au grill utilise la chaleur radiante directe pour cuire les aliments. Le changement de température lors de la cuisson au grill permet un contrôle plus précis de la cuisson. Plus la température est basse, plus la cuisson est lente. Des coupes plus épaisses et des morceaux de viande, de poisson et de volaille de forme inégale cuisent mieux à des températures de cuisson au grill plus basses.

- Utiliser seulement la lèchefrite et la grille fournies avec l'appareil. Elles sont conçues pour laisser s'écouler les jus et empêcher les éclaboussures et la fumée.
- Pour un écoulement approprié, ne pas couvrir la grille de papier d'aluminium. Le fond de la lèchefrite peut être garni de papier d'aluminium pour en faciliter le nettoyage.
- Enlever l'excès de gras pour réduire les éclaboussures. Entailler le gras résiduel sur les côtés pour empêcher la viande de se cintrer.
- Sortir la grille jusqu'à la butée d'arrêt avant de tourner ou d'enlever les aliments. Utiliser des pinces pour tourner les aliments afin d'éviter la perte de jus. Il est possible qu'il ne soit pas nécessaire de tourner les coupes très minces de poisson, de volaille ou de viande.
- Après la cuisson au grill, sortir la lèchefrite du four en même temps que l'aliment. Ce qui reste au fond de la lèchefrite cuira si on la laisse dans le four encore chaud, rendant le nettoyage plus difficile.

Avant la cuisson au grill, placer la grille tel qu'indiqué dans le tableau de cuisson au grill. Il n'est pas nécessaire de préchauffer le four avant d'y placer l'aliment, sauf si la recette le recommande. Placer l'aliment sur la grille de la lèchefrite, puis placer celle-ci au centre de la grille du four.

Sur les fours doubles seulement, s'assurer de régler les commandes appropriées pour le four (supérieur ou inférieur) qu'on souhaite utiliser.

Cuisson au gril :

1. Fermer la porte.
2. Tourner le bouton de SÉLECTION à BROIL (cuisson au gril). "HI" apparaîtra sur l'afficheur.
3. Tourner le bouton SET (réglage) au niveau de gril désiré.
4. Appuyer sur le bouton ENTER (entrée), ou attendre 10 secondes et la fonction commencera automatiquement.
5. Tourner le bouton de SÉLECTION à la position OFF (arrêt) après la cuisson.

Réglages du gril

Utiliser le tableau suivant pour régler les niveaux et les températures du gril. Au fur et à mesure que le pourcentage de gril diminue, les programmes des éléments s'allument et s'éteignent pour fournir le réglage de chaleur sélectionné.

Niveau de gril	Pourcentage de gril
HI (élevé)	100
Br4	90
Br3	80
Br2	70
LOW (bas)	60

TABLEAU DE CUISSON AU GRIL

Pour obtenir les meilleurs résultats, placer l'aliment à au moins 3" (7 cm) du brûleur du gril. Les durées de cuisson sont citées à titre indicatif seulement; on peut les régler en fonction des goûts personnels. Les positions recommandées de la grille sont indiquées de la base (1) jusqu'en haut (5). Pour le schéma, voir la section "Positionnement des grilles et ustensiles de cuisson".

ALIMENTS	POSITION DE LA GRILLE	NIVEAU DE GRIL	DURÉE TOTALE (min.)
Steak 1" (2,5 cm) d'épaisseur à point saignant	4	HI	21-23
à point	4	HI	23-25
bien cuit	4	HI	27-29
Galettes de viande hachée* ¾" (2 cm) d'épaisseur bien cuites	4	HI	20-22
Côtelettes de porc 1" (2,5 cm) d'épaisseur	4	HI	30-33
Côtelettes d'agneau 1" (2,5 cm) d'épaisseur	4	HI	22-26
Poulet morceaux avec os	3	HI	34-40
morceaux désossés	4	HI	22-32
Filets de poisson ¼-½" (0,6 à 1,3 cm) d'épaisseur	4	HI	12-15
Steaks ¾-1" (2 à 2,5 cm) d'épaisseur	4	HI	24-27

*Placer jusqu'à 9 galettes, à distance égale, sur la grille de la lèchefrite.

Maintien au chaud

AVERTISSEMENT

Risque d'empoisonnement alimentaire

Ne pas laisser des aliments dans un four plus d'une heure avant ou après la cuisson.

Le non-respect de cette instruction peut causer un empoisonnement alimentaire ou une maladie.

IMPORTANT : La fonction Keep Warm permet de garder au chaud les aliments cuits avant de les servir.

Sur les fours doubles seulement, s'assurer de régler les commandes appropriées pour le four (supérieur ou inférieur) qu'on souhaite utiliser.

Utilisation :

1. Tourner le bouton de SÉLECTION à KEEP WARM.
2. L'afficheur indiquera 170°F (77°C).
3. Appuyer sur le bouton ENTER (entrée), ou attendre 10 secondes et la fonction commencera automatiquement.
4. Tourner le bouton de SÉLECTION à la position OFF (arrêt) après la cuisson.

Cuisson par convection

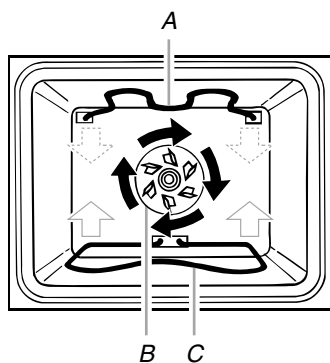
(sur certains modèles)

Dans un four à convection, l'air chaud que fait circuler le ventilateur distribue continuellement la chaleur plus uniformément que le mouvement naturel de l'air dans un four thermique standard. Ce déplacement de l'air chaud aide à maintenir une température uniforme dans tout le four, permettant de cuire les aliments plus uniformément, en plus de donner des surfaces et du pain croustillants tout en scellant l'humidité.

La plupart des aliments peuvent être cuits en réduisant les températures de cuisson de 25°F à 50°F (14°C à 28°C) et la durée de cuisson peut être réduite jusqu'à 30 pour cent, surtout pour les gros rôtis et dindes.

- Il est important de ne pas couvrir les aliments avec des couvercles ou du papier d'aluminium de telle sorte que la surface demeure exposée au déplacement de l'air, permettant ainsi le brunissage et le croustillant.
- Maintenir la perte de chaleur au minimum en ouvrant la porte du four seulement lorsque c'est nécessaire.
- Choisir des tôles à biscuits sans bord et des plats de rôtissage à côtés plus bas pour permettre à l'air de circuler librement autour de l'aliment.
- Vérifier le degré de cuisson des aliments quelques minutes avant le temps de cuisson minimum, en utilisant un cure-dents par exemple.
- Utiliser un thermomètre à viande ou la sonde thermométrique pour déterminer le degré de cuisson des viandes et de la volaille. Vérifier la température du porc et de la volaille à 2 ou 3 endroits.

Cuisson au four et rôtissage par convection



A. Élément de cuisson au gril
B. Ventilateur de convection
C. Élément de cuisson au four

Durant la cuisson au four ou le rôtissage par convection, les éléments de cuisson au four et de gril s'allument et s'éteignent par intermittence pour maintenir la température du four tandis que le ventilateur fait circuler constamment l'air chaud.

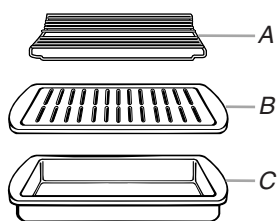
Si la porte du four est ouverte durant la cuisson au four ou le rôtissage par convection, les éléments de cuisson au four et du gril et le ventilateur s'éteignent immédiatement. Ils se rallumeront une fois la porte fermée.

Réduire la température de la recette de 25°F (14°C). Il peut aussi être nécessaire de réduire la durée de cuisson.

Cuisson au four ou rôtissage par convection :

Avant la cuisson au four et le rôtissage par convection, placer les grilles tel qu'indiqué à la section "Positionnement des grilles et des ustensiles de cuisson".

Lors du rôtissage par CONVECTION, utiliser la grille de rôtissage au-dessus de la lèche-frite et de sa grille. Il n'est pas nécessaire de préchauffer le four avant d'y placer l'aliment, sauf si la recette le recommande.



A. Grille de rôtissage
B. Grille de la lèche-frite
C. Plat de rôtissage

Sur les fours doubles seulement, s'assurer de régler les commandes appropriées pour le four (supérieur ou inférieur) qu'on souhaite utiliser.

1. Tourner le bouton de SÉLECTION à CONVECT. L'afficheur indiquera 300°F (149°C).
2. Tourner le bouton SET (réglage) à la température désirée. La température de rôtissage par convection peut être réglée entre 170°F et 500°F (77°C et 260°C).
3. Appuyer sur le bouton ENTER (entrée), ou attendre 10 secondes et la fonction commencera automatiquement.
4. Tourner le bouton de SÉLECTION à la position OFF (arrêt) après la cuisson.

Tableau de rôtissage par convection

Utiliser le tableau suivant ci-dessous lors du rôtissage par convection des viandes et de la volaille.

Aliments/ position de la grille	Durée de cuisson (en minutes pour 1 lb)	Temp. du four	Temp. interne des aliments
Bœuf, position de grille 2			
Rôti de côte			
saignant	20-25	300°F (149°C)	140°F (60°C)
à point	25-30		160°F (71°C)
bien cuit	30-35		170°F (77°C)
Rôti de côte (désossé)			
saignant	22-25	300°F (149°C)	140°F (60°C)
à point	27-30		160°F (71°C)
bien cuit	32-35		170°F (77°C)
Rôti de croupe ou d'ailoyau			
saignant	20-25	300°F (149°C)	140°F (60°C)
à point	25-30		160°F (71°C)
bien cuit	30-35		170°F (77°C)
Pain de viande			
	20-25	325°F (160°C)	170°F (77°C)
Veau, position de grille 2			
Rôti de longe, de côte, de croupe			
à point	25-35	325°F (160°C)	160°F (71°C)
bien cuit	30-40		170°F (77°C)
Porc, position de grille 2			
Rôti de longe (désossé)	30-40	325°F (160°C)	170°F (77°C)
Rôti d'épaule	35-40	325°F (160°C)	170°F (77°C)
Jambon, position de grille 2			
Frais (non cuit)	25-35	300°F (149°C)	170°F (77°C)
Entièrement cuit	15-20	300°F (149°C)	170°F (77°C)
Agneau, position de grille 2			
Gigot, rôti d'épaule			
à point	25-30	300°F (149°C)	160°F (71°C)
bien cuit	30-35		170°F (77°C)
Poulet, position de grille 2*			
Entier			
3 à 5 lb (1,5 à 2,2 kg)	20-25	325°F (160°C)	185°F (85°C)
5 à 7 lb (2,2 à 3,1 kg)	15-20	325°F (160°C)	185°F (85°C)

Aliments/ position de la grille	Durée de cuisson (en minutes pour 1 lb)	Temp. du four	Temp. interne des aliments
Dinde, position de grille 1 ou 2*			
13 lb et moins (5,85 kg)	10-15	300°F (149°C)	185°F (85°C)
Plus de 13 lb (5,85 kg)	10-12	300°F (149°C)	185°F (85°C)
Poulet de Cornouailles, position de grille 2 ou 3*			
1 à 1,5 lb (0,5 à 0,7 kg)	50-60	325°F (160°C)	185°F (85°C)

*Ne pas farcir la volaille lors du rôtissage par convection.

Cuisson minutée

AVERTISSEMENT

Risque d'empoisonnement alimentaire

Ne pas laisser des aliments dans un four plus d'une heure avant ou après la cuisson.

Le non-respect de cette instruction peut causer un empoisonnement alimentaire ou une maladie.

La cuisson minutée permet d'allumer le four à une certaine heure de la journée, de faire cuire pendant une durée réglée et/ou d'éteindre le four automatiquement.

La mise en marche différée ne doit pas être utilisée pour les aliments tels que pains et gâteaux car ils risquent de ne pas bien cuire.

Si une pause de 20 secondes est effectuée entre l'une ou l'autre des étapes suivantes, la fonction commencera automatiquement avec les réglages existants.

Sur les fours doubles seulement, s'assurer de régler les commandes appropriées pour le four (supérieur ou inférieur) qu'on souhaite utiliser.

Réglage d'une durée de cuisson :

1. Tourner le bouton de SÉLECTION à la fonction de cuisson désirée.
2. Tourner le bouton SET (réglage) à la température désirée.
3. Appuyer deux fois sur le bouton ENTER. L'indicateur DURATION (durée) clignotera et "-0:00" s'affichera.
4. Appuyer sur le bouton SET (réglage) pour régler la durée de cuisson.
5. Appuyer à nouveau sur le bouton ENTER pour visualiser l'heure d'arrêt. Si on veut différer la cuisson, choisir une heure d'arrêt différente. Pour régler une heure d'arrêt différente, tourner le bouton SET. Le four s'allumera à l'heure appropriée en fonction de la durée et de l'heure d'arrêt choisies.
6. Appuyer sur le bouton ENTER ou la cuisson minutée commencera automatiquement dans 20 secondes.

Pour annuler les fonctions de durée et d'heure d'arrêt :

Tourner le bouton de SÉLECTION à la position OFF (arrêt) ou appuyer sur le bouton CANCEL (annulation).

ENTRETIEN DU FOUR

Programme d'autonettoyage

AVERTISSEMENT



Risque de brûlures

Ne pas toucher le four au cours du programme d'autonettoyage.

Garder les enfants loin du four au cours du programme d'autonettoyage.

Le non-respect de ces instructions peut causer des brûlures.

IMPORTANT : La santé de certains oiseaux est très sensible aux émanations qui surviennent durant le programme d'autonettoyage. L'exposition aux émanations peut entraîner la mort de certains oiseaux. Toujours déplacer les oiseaux dans une autre pièce fermée et bien aérée.

Procéder à l'autonettoyage du four avant qu'il ne devienne très sale. Les saletés intenses nécessitent un nettoyage plus long et dégagent plus de fumée.

Veiller à ce que la cuisine soit bien aérée pendant le programme d'autonettoyage afin d'éliminer la chaleur, les odeurs et la fumée.

Ne pas obstruer le ou les évent(s) du four durant le programme d'autonettoyage. L'air doit pouvoir circuler librement. Voir la section "Évent du four" ou "Événements du four", selon votre modèle.

Ne pas nettoyer, frotter, endommager ou déplacer le joint d'étanchéité de la porte du four. Le joint de la porte est essentiel pour une bonne étanchéité.

Préparation du four :

- Sortir la lèchefrite, la grille et les ustensiles de cuisson du four et, sur certains modèles, la sonde thermométrique.
- Enlever tout papier d'aluminium du four qui risquerait de brûler ou de fondre et d'endommager le four.
- Sortir les grilles du four pour les garder brillantes et pour qu'elles glissent facilement. Voir la section "Nettoyage général" pour plus de renseignements.
- Nettoyer manuellement l'intérieur de la porte et une zone de 1½" (3,8 cm) sur le pourtour du cadre de la cavité du four, en prenant soin de ne pas déplacer ni plier le joint d'étanchéité. Cette section ne devient pas assez chaude au cours du programme d'autonettoyage pour pouvoir éliminer la saleté. Ne pas laisser de l'eau, un nettoyant, etc. pénétrer dans les fentes sur le cadre de la porte. Nettoyer avec un chiffon humide.

- Essuyer toute saleté restante afin de réduire la fumée et éviter des dommages. À des températures élevées, les aliments réagissent avec la porcelaine. Cette réaction peut causer de légères taches blanches, des taches intenses ou des piqûres. Ceci n'affectera pas la performance de cuisson.

Comment fonctionne le programme

IMPORTANT : Le chauffage et le refroidissement de la porcelaine sur l'acier dans le four peuvent causer une décoloration, une perte de fini luisant, des fissures minuscules et des sons saccadés.

Le programme d'autonettoyage utilise des températures très élevées, brûlant les saletés pour les réduire en cendre.

Le four est pré-réglé pour un programme de nettoyage de 3 heures et 30 minutes.

Lorsque le four est complètement refroidi, retirer la cendre avec un chiffon humide. Ne pas essuyer les surfaces internes avant que le four ne soit complètement refroidi. L'application d'un chiffon humide sur le hublot de la porte interne avant qu'il ne se soit complètement refroidi risque de causer le bris du verre.

La lampe du four ne fonctionnera pas durant le programme d'autonettoyage.

Sur les fours doubles seulement, s'assurer de régler les commandes appropriées pour le four (supérieur ou inférieur) qu'on souhaite utiliser.

Autonettoyage :

Avant l'autonettoyage, s'assurer que la porte est complètement fermée sinon elle ne se verrouillera pas et le programme ne commencera pas.

1. Tourner le bouton de SÉLECTION à CLEAN (nettoyage).
2. Tourner le bouton SET (réglage) à "On" (marche).
3. Appuyer sur le bouton ENTER pour commencer un programme pré-réglé non-ajustable de 3 heures et 30 minutes.

N'OUBLIEZ PAS : Sur les fours doubles seulement, lorsqu'une cavité de four est en mode d'autonettoyage, l'autre four ne peut être utilisé.

Pour différer l'autonettoyage :

Avant de différer la mise en marche de l'autonettoyage, s'assurer que l'horloge est réglée à l'heure exacte. Voir la section "Horloge". S'assurer également que la porte est complètement fermée sinon elle ne se verrouillera pas et le programme ne commencera pas.

1. Tourner le bouton de SÉLECTION à SELF CLEAN (autonettoyage).
2. Tourner le bouton SET (réglage) à "On" (marche).
3. Appuyer sur le bouton ENTER pour commencer un programme pré-réglé non-ajustable de 3 heures et 30 minutes.
4. Appuyer deux fois sur le bouton ENTER. L'heure à laquelle le programme se terminera s'affiche et STOP TIME (heure d'arrêt) clignote.
5. Tourner le bouton SET à STOP TIME (heure d'arrêt).
6. Appuyer sur le bouton ENTER.

Les témoins DURATION (durée) et STOP TIME (heure d'arrêt) clignoteront.

Pour arrêter le programme d'autonettoyage à tout moment :

Tourner le bouton de SÉLECTION à la position OFF (arrêt) ou appuyer sur le bouton CANCEL (annulation). Si la température du four est trop élevée, la porte demeure verrouillée. Elle ne se déverrouillera pas avant que le four n'ait refroidi.

Nettoyage général

IMPORTANT : Avant le nettoyage, s'assurer que toutes les commandes sont désactivées et que le four est froid. Toujours suivre les instructions sur l'étiquette des produits de nettoyage.

Le savon, l'eau et un linge doux ou une éponge sont suggérés en premier à moins d'avis contraire.

ACIER INOXYDABLE (sur certains modèles)

Ne pas utiliser de tampons à récurer garnis de savon, nettoyants abrasifs, crème à polir pour table de cuisson, tampons en laine d'acier, chiffons de lavage rugueux ou certains essuie-tout. Des dommages peuvent survenir.

Frotter dans le sens du grain pour éviter les dommages.

- Nettoyant et poli pour acier inoxydable (non inclus) : Voir la section "Assistance ou service" pour soumettre une commande.
- Détergent liquide ou nettoyant tout-usage : Rincer à l'eau propre et sécher avec un linge doux sans charpie.
- Vinaigre pour les taches d'eau dure.

EXTÉRIEUR DE LA PORTE DU FOUR

- Un nettoyant à vitre et des essuie-tout ou un tampon à récurer en plastique non abrasif : Appliquer le nettoyant à vitre sur un linge doux ou une éponge, et non pas directement sur le tableau.

TABLEAU DE COMMANDE

Ne pas utiliser des nettoyants abrasifs, tampons en laine d'acier, chiffons de lavage rugueux ou certains essuie-tout en papier. Des dommages peuvent survenir.

- Un nettoyant à vitre, un linge doux ou une éponge : Appliquer le nettoyant à vitre sur un linge doux ou une éponge, et non pas directement sur le tableau.

CAVITÉ DU FOUR

Ne pas utiliser de nettoyant à four.

Les renversements d'aliments devraient être nettoyés lorsque le four est refroidi. Aux températures élevées, l'aliment réagit avec la porcelaine et des taches, éclats, piqûres ou marques blanchâtres peuvent survenir.

- Programme d'autonettoyage : Voir d'abord "Programme d'autonettoyage".

GRILLES DU FOUR ET DE RÔTISSAGE

- Programme d'autonettoyage :

Voir d'abord "Programme d'autonettoyage". Il faut ôter les grilles sinon elles se décoloreront et deviendront plus difficiles à faire glisser. Dans ce cas, un léger revêtement d'huile végétale appliqué sur les glissières des grilles les aidera à mieux glisser.

- Tampon en laine d'acier

LÈCHEFRITE ET GRILLE

Ne pas nettoyer au programme d'autonettoyage (sur certains modèles).

- **Nettoyant légèrement abrasif :**
Frotter avec un tampon à récurer mouillé.
- **Solution de ½ tasse (125 mL) d'ammoniaque pour 1 gal. (3,75 L) d'eau :**
Laisser tremper pendant 20 minutes, ensuite frotter avec un tampon à récurer ou en laine d'acier.
- **Nettoyant pour four :** Suivre le mode d'emploi sur l'étiquette du produit.

Émail vitrifié seulement, non le chrome

- Lave-vaisselle

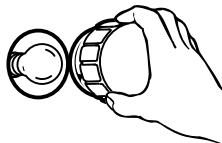
Lampes du four

Chaque lampe du four est une ampoule standard de 40 watts pour appareil ménager. Les lampes s'allument lorsque le four fonctionne sur n'importe quel mode de cuisson. Les lampes du four ne fonctionnent pas lorsque le four est en mode d'autonettoyage et lorsque le bouton de sélection est à la position OFF (arrêt).

Pour le remplacement :

Avant le remplacement, s'assurer que le four est éteint et froid.

1. Déconnecter la source de courant électrique.
2. Tourner le couvercle en verre de l'ampoule à l'arrière du four dans le sens inverse des aiguilles d'une montre et l'enlever.



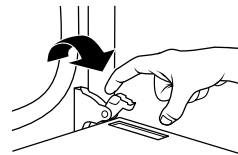
3. Tourner l'ampoule dans le sens inverse des aiguilles d'une montre et l'enlever de la douille.
4. Réinstaller l'ampoule et le couvercle de l'ampoule en le tournant dans le sens des aiguilles d'une montre.
5. Reconnecter la source de courant électrique.

Porte du four

Il n'est pas recommandé d'enlever la porte du four pour une utilisation normale. Toutefois, s'il est nécessaire de l'enlever, s'assurer que le four est éteint et froid. Puis suivre ces instructions. La porte du four est lourde.

Enlèvement :

1. Ouvrir la porte du four complètement.
2. Relever le verrou de charnière de chaque côté.



3. Fermer la porte du four le plus complètement possible.
4. Soulever la porte du four tout en la retenant de chaque côté avec les deux mains.

Continuer de maintenir la porte du four fermée et l'éloigner du châssis de la porte du four.



Réinstallation :

1. Insérer les deux bras de suspension dans la porte.



2. Ouvrir la porte du four.
Vous devriez entendre un déclic alors que la porte est mise en place.
3. Remettre les leviers des charnières à la position verrouillée. S'assurer que la porte peut s'ouvrir et se fermer. Sinon, répéter les procédés d'enlèvement et d'installation.

DÉPANNAGE

Essayer les solutions suggérées ici d'abord afin d'éviter le coût d'une visite de service non nécessaire.

Rien ne fonctionne

- **Un fusible est-il grillé, ou un disjoncteur s'est-il déclenché?**
Remplacer le fusible ou réenclencher le disjoncteur. Si le problème persiste, appeler un électricien.
- **L'appareil est-il correctement raccordé?**
Voir les instructions d'installation.

Le four ne fonctionne pas

- **La commande électronique du four est-elle correctement réglée?**
Voir la section "Commande électronique du four".
- **Pour les fours doubles, le four correct a-t-il été sélectionné?**
S'assurer de régler les commandes appropriées pour le four (supérieur ou inférieur) qu'on souhaite utiliser.
- **Pour les fours doubles, l'autonettoyage est-il utilisé sur l'un des fours?**
Quand un four est soumis à l'autonettoyage, l'autre four ne peut pas être réglé ou allumé.

Le ventilateur de refroidissement fonctionne durant la cuisson au four, la cuisson au gril ou le nettoyage.

- Pendant l'utilisation du four, il est normal que le ventilateur se mette automatiquement en route pour refroidir la commande électronique; il peut fonctionner jusqu'à 45 minutes après l'arrêt du four.

L'affichage indique des messages

- **L'affichage indique-t-il "PF"?**
Une panne de courant est survenue. Effacer l'affichage. Voir la section "Affichage(s)". Régler l'horloge si nécessaire. Voir la section "Horloge".
- **L'affichage montre-t-il une lettre suivie d'un chiffre?**
Effacer l'affichage. Voir la section "Affichage(s)". S'il réapparaît, faire un appel de service. Voir la section "Assistance ou service".

Le programme d'autonettoyage ne fonctionne pas

- **La porte du four est-elle ouverte?**
Fermer complètement la porte du four.
- **La fonction a-t-elle été entrée?**
Voir la section "Programme d'autonettoyage".
- **Une mise en marche différée du programme d'autonettoyage a-t-elle été réglée?**
Voir la section "Programme d'autonettoyage".
- **Une mise en marche différée a-t-elle été programmée?**
Voir la section "Cuisson minutée".
- **Pour les fours doubles, l'autonettoyage est-il utilisé sur l'un des fours?**
Quand un four est soumis à l'autonettoyage, l'autre four ne peut pas être réglé ou être soumis à l'autonettoyage.

Les résultats de cuisson au four ne sont pas les résultats prévus

- **L'appareil est-il d'aplomb?**
Mettre l'appareil d'aplomb. Voir les instructions d'installation.
- **La température correcte est-elle réglée?**
Augmenter ou diminuer la température de 25°F (14°C).
- **Le four a-t-il été préchauffé?**
Attendre que le four soit préchauffé avant d'y placer les aliments.
- **Utilise-t-on un ustensile de cuisson approprié?**
Voir la section "Ustensiles de cuisson".
- **Les grilles sont-elles positionnées correctement?**
Voir la section "Positionnement des grilles et ustensiles de cuisson".
- **Existe-t-il une circulation d'air appropriée autour des ustensiles de cuisson?**
Voir la section "Positionnement des grilles et ustensiles de cuisson".
- **La pâte est-elle distribuée uniformément dans le plat?**
Vérifier que la pâte est répartie uniformément dans le plat.
- **La durée de cuisson appropriée est-elle utilisée?**
Augmenter ou diminuer la durée de cuisson au four ou de gril.
- **La porte du four a-t-elle été ouverte pendant la cuisson?**
L'ouverture de la porte pour vérifier la cuisson laisse la chaleur du four s'échapper et peut nécessiter des durées de cuisson plus longues.
- **Les articles cuits au four sont-ils trop bruns à la base?**
Déplacer la grille à une position plus élevée dans le four.
ou
Diminuer la température du four.
- **Les bords des croûtes de tarte ont-ils bruni trop tôt?**
Utiliser du papier d'aluminium pour couvrir le bord de la croûte et/ou réduire la température de cuisson du four.

ASSISTANCE OU SERVICE

Avant de faire un appel pour assistance ou service, consulter la section "Dépannage". Ce guide peut vous faire économiser le coût d'une visite de service. Si vous avez encore besoin d'aide, suivre les instructions ci-dessous.

Lors d'un appel, veuillez connaître la date d'achat, le numéro de modèle et le numéro de série au complet de l'appareil. Ces renseignements nous aideront à mieux répondre à votre demande.

Si vous avez besoin de pièces de rechange

Si vous avez besoin de commander des pièces de rechange, nous vous recommandons d'employer uniquement des pièces spécifiées par l'usine. Les pièces spécifiées par l'usine fonctionneront bien parce qu'elles sont fabriquées avec la même précision utilisée dans la fabrication de chaque nouvel appareil IKEA®.

Pour localiser des pièces spécifiées par l'usine d'origine dans votre région, nous appelons ou téléphonons au centre de service désigné le plus proche.

Pour des questions relatives aux produits, veuillez appeler sans frais le Centre d'interaction avec la clientèle de Whirlpool Canada LP au : **1-800-461-5681**.

Nos consultants vous renseigneront sur les sujets suivants :

- Caractéristiques et spécifications sur toute notre gamme d'appareils électroménagers.
- Références aux marchands locaux.

Pour pièces, accessoires et service au Canada

Composer le **1-800-807-6777**. Les techniciens de service désignés par Whirlpool Canada LP sont formés pour remplir la garantie des produits et fournir un service après la garantie, partout au Canada.

Pour plus d'assistance

Si vous avez besoin de plus d'assistance, vous pouvez soumettre par écrit toute question ou préoccupation à Whirlpool Canada LP à l'adresse suivante :

Centre d'interaction avec la clientèle
Whirlpool Canada LP
1901 Minnesota Court
Mississauga, Ontario L5N 3A7

Veuillez inclure dans votre correspondance un numéro de téléphone où on peut vous joindre dans la journée.

GARANTIE DES GROS APPAREILS MÉNAGERS WHIRLPOOL CORPORATION

GARANTIE LIMITÉE DE UN AN

Pendant un an à compter de la date d'achat, lorsque ce gros appareil ménager est utilisé et entretenu conformément aux instructions jointes à ou fournies avec le produit, Whirlpool Corporation ou Whirlpool Canada LP (ci-après désignées "Whirlpool") paiera pour les pièces de rechange FSP® et la main-d'oeuvre pour corriger les vices de matériaux ou de fabrication. Le service doit être fourni par une compagnie de service désignée par Whirlpool.

WHIRLPOOL NE PRENDRA PAS EN CHARGE

1. Les visites de service pour rectifier l'installation du gros appareil ménager, montrer à l'utilisateur comment utiliser l'appareil, remplacer ou réparer des fusibles ou rectifier le câblage ou la plomberie du domicile.
2. Les visites de service pour réparer ou remplacer les ampoules électriques de l'appareil, les filtres à air ou les filtres à eau. Ces pièces consommables ne sont pas couvertes par la garantie.
3. Les réparations lorsque le gros appareil ménager est utilisé à des fins autres que l'usage unifamilial normal.
4. Les dommages imputables à : accident, modification, usage impropre ou abusif, incendie, inondation, actes de Dieu, installation fautive ou installation non conforme aux codes d'électricité ou de plomberie, ou l'utilisation de produits non approuvés par Whirlpool.
5. Toute perte d'aliments due à une défaillance du réfrigérateur ou du congélateur.
6. Le coût des pièces de rechange et de la main-d'oeuvre pour les appareils utilisés hors des États-Unis ou du Canada.
7. Le ramassage et la livraison. Ce gros appareil ménager est conçu pour être réparé à domicile.
8. Les réparations aux pièces ou systèmes résultant d'une modification non autorisée faite à l'appareil.
9. Les frais de transport pour le service d'un produit dans les régions éloignées.
10. La dépose et la réinstallation de votre appareil si celui-ci est installé dans un endroit inaccessible ou n'est pas installé conformément aux instructions d'installation fournies.

CLAUSE D'EXONÉRATION DE RESPONSABILITÉ AU TITRE DES GARANTIES IMPLICITES; LIMITATION DES RECOURS

LE SEUL ET EXCLUSIF RECOURS DU CLIENT DANS LE CADRE DE LA PRÉSENTE GARANTIE LIMITÉE CONSISTE EN LA RÉPARATION PRÉVUE CI-DESSUS. LES GARANTIES IMPLICITES, Y COMPRIS LES GARANTIES APPLICABLES DE QUALITÉ MARCHANDE ET D'APTITUDE À UN USAGE PARTICULIER, SONT LIMITÉES À UN AN OU À LA PLUS COURTE PÉRIODE AUTORISÉE PAR LA LOI. WHIRLPOOL N'ASSUME AUCUNE RESPONSABILITÉ POUR LES DOMMAGES FORTUITS OU INDIRECTS. CERTAINES JURISDICTIONS NE PERMETTENT PAS L'EXCLUSION OU LA LIMITATION DES DOMMAGES FORTUITS OU INDIRECTS, OU LES LIMITATIONS DE LA DURÉE DES GARANTIES IMPLICITES DE QUALITÉ MARCHANDE OU D'APTITUDE À UN USAGE PARTICULIER, DE SORTE QUE CES EXCLUSIONS OU LIMITATIONS PEUVENT NE PAS S'APPLIQUER DANS VOTRE CAS. CETTE GARANTIE VOUS CONFÈRE DES DROITS JURIDIQUES SPÉCIFIQUES ET VOUS POUVEZ ÉGALEMENT JOUIR D'AUTRES DROITS QUI PEUVENT VARIER D'UNE JURISDICTION À UNE AUTRE.

À l'extérieur du Canada et des 50 États des États-Unis, cette garantie ne s'applique pas. Contacter votre marchand Whirlpool autorisé pour déterminer si une autre garantie s'applique.

Si vous avez besoin de service, voir d'abord la section "Dépannage" du Guide d'utilisation et d'entretien. Après avoir vérifié la section "Dépannage", de l'aide supplémentaire peut être trouvée en vérifiant la section "Assistance ou service" ou en appelant Whirlpool I. Aux États-Unis, composer le 1-800-253-1301. Au Canada, composer le 1-800-807-6777. 8/05

Conservez ce manuel et votre reçu de vente ensemble pour référence ultérieure. Pour le service sous garantie, vous devez présenter un document prouvant la date d'achat ou d'installation.

Inscrivez les renseignements suivants au sujet de votre gros appareil ménager pour mieux vous aider à obtenir assistance ou service en cas de besoin. Vous devrez connaître le numéro de modèle et le numéro de série au complet. Vous trouverez ces renseignements sur la plaque signalétique située sur le produit.

Nom du marchand _____

Adresse _____

Numéro de téléphone _____

Numéro de modèle _____

Numéro de série _____

Date d'achat _____

8304083

© 2005.
All rights reserved.
Tous droits réservés.

© IKEA is a registered trademark of Inter-Ikea Systems B.V.
© IKEA est une marque déposée de Inter-Ikea Systems B.V.

9/05
Printed in U.S.A.
Imprimé aux É.-U.

Free Manuals Download Website

<http://myh66.com>

<http://usermanuals.us>

<http://www.somanuals.com>

<http://www.4manuals.cc>

<http://www.manual-lib.com>

<http://www.404manual.com>

<http://www.luxmanual.com>

<http://aubethermostatmanual.com>

Golf course search by state

<http://golfingnear.com>

Email search by domain

<http://emailbydomain.com>

Auto manuals search

<http://auto.somanuals.com>

TV manuals search

<http://tv.somanuals.com>