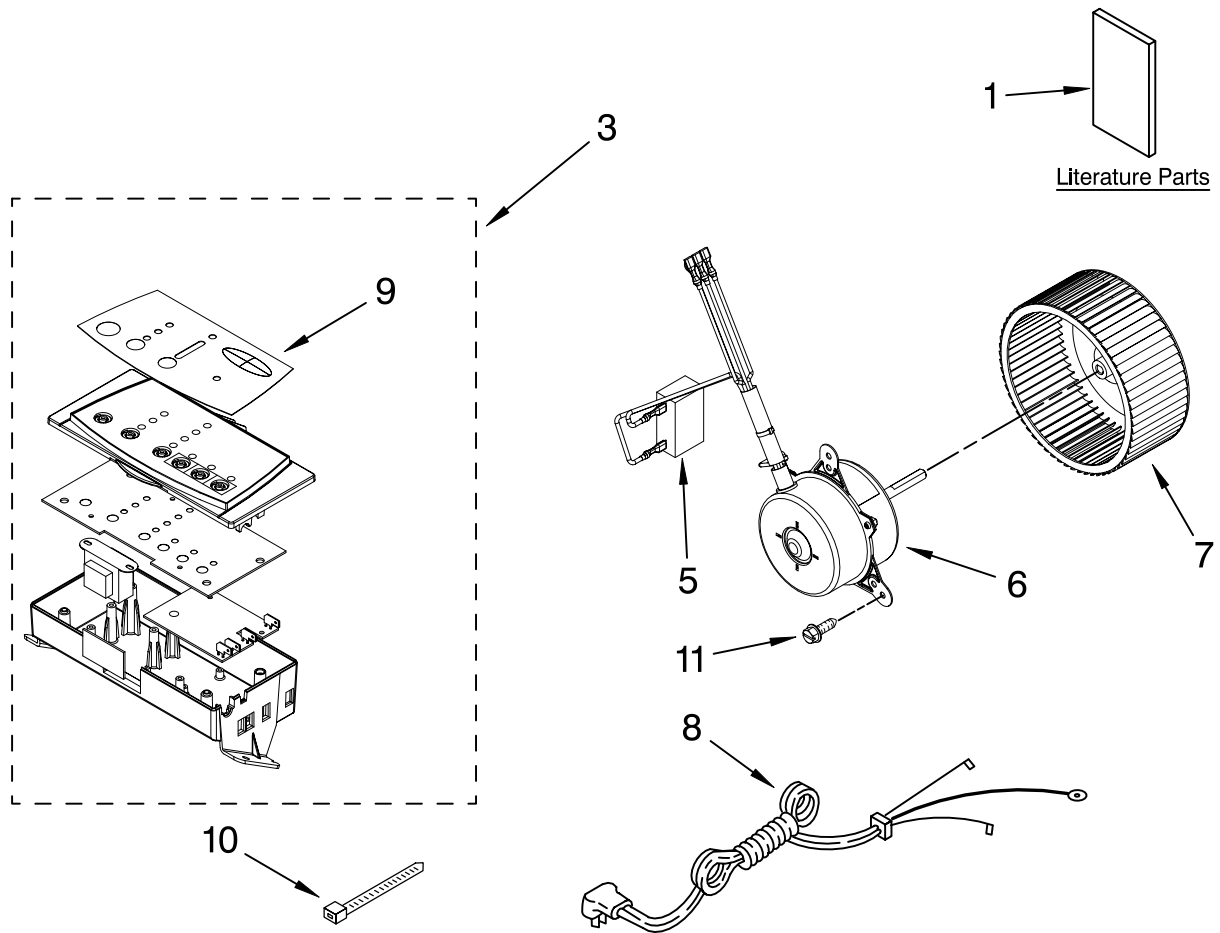




# AIR FLOW AND CONTROL PARTS

For Model: AD35USS1

DEHUMIDIFIER

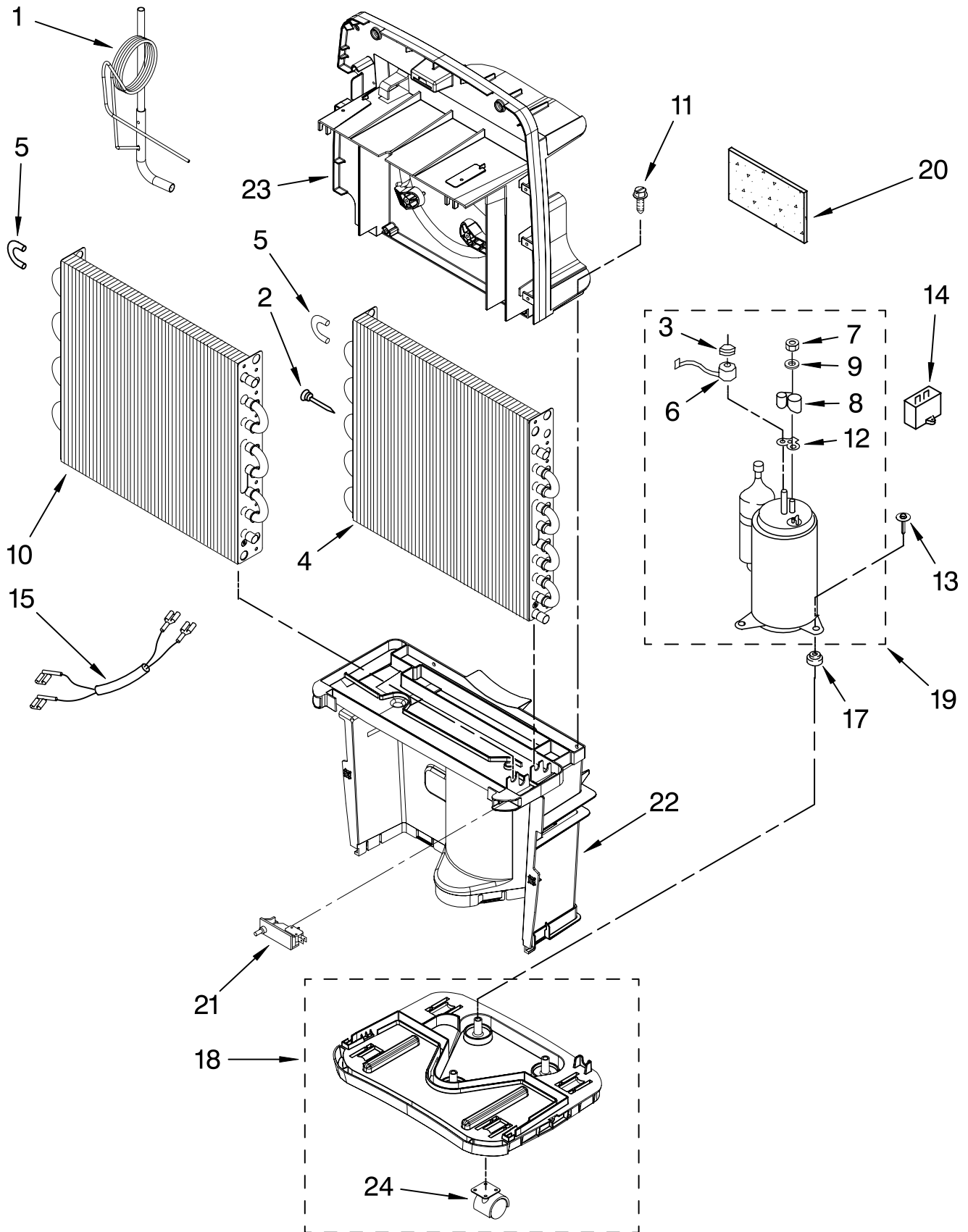


Illus. No.	Part No.	DESCRIPTION
1	1188575	Literature Parts Wiring Diagram
	1188826	Use & Care Guide
3	1188398	Assembly, Control Panel
5	1188476	Capacitor, Fan
6	1188411	Motor, Fan
7	1188416	Wheel, Blower
8	1188469	Cord, Appliance
9	1188459	Overlay
10	602851	Tie, Cable
11	489470	Screw

FOR ORDERING INFORMATION REFER TO PARTS PRICE LIST

# UNIT PARTS

For Model: AD35USS1



FOR ORDERING INFORMATION REFER TO PARTS PRICE LIST

# UNIT PARTS

For Model: AD35USS1

<u>Illus. No.</u>	<u>Part No.</u>	<u>DESCRIPTION</u>
1	1188523	Tube, Restrictor
2	1162526	Strainer
3	1185795	Spring, Overload
4	1188482	Condenser
5	4388784	Bend, Return
6	1188145	Overload, Protector
7	1186030	Nut, Terminal Cover
8	1188822	Cover, Terminal
9	1185794	Washer, Nut
10	1188441	Evaporator
11	9740848	Screw
12	1185793	Gasket, Terminal Cover
13	W10001320	Screw, Compressor
14	1188477	Capacitor
15	1188467	Wire Harness, Compressor (2 Wire)
17	1188564	Grommet, Compressor
18	1188558	Base
19	1188417	Compressor, (Complete Assembly)
20	1182480	Putty, Sound Damping
21	1188815	Switch, Bucket Fill/Check
22	1188393	Support, Lower
23	1188394	Support, Upper
24	1188415	Caster

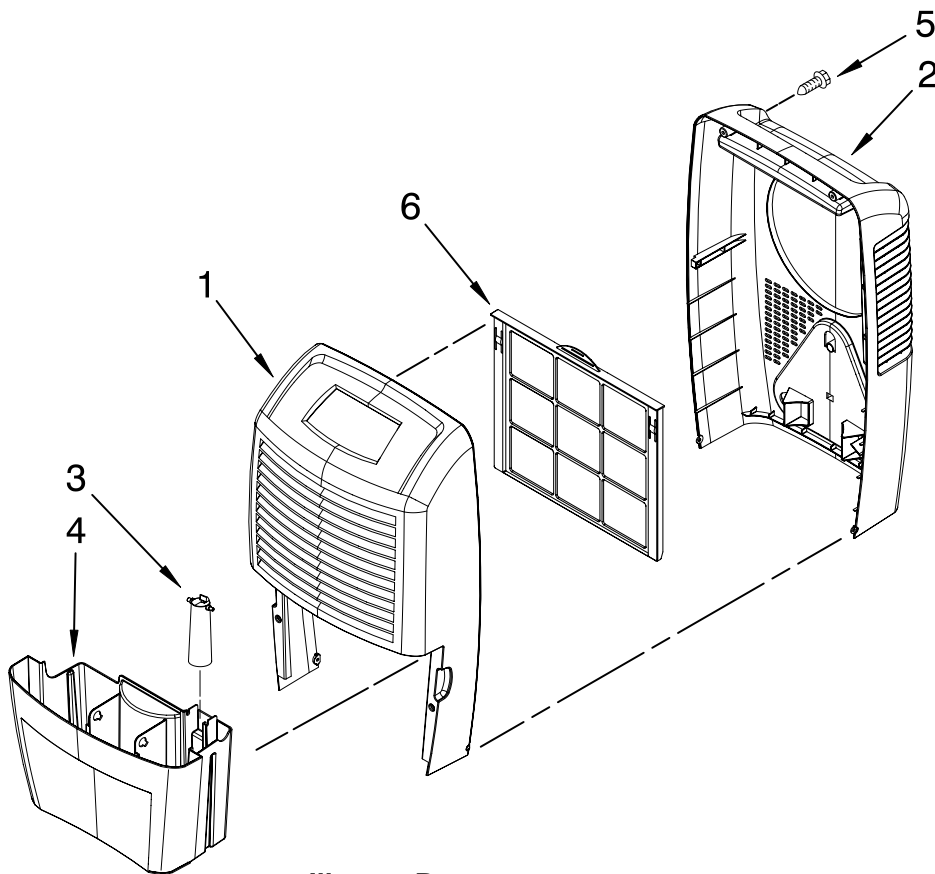
## REFRIGERANT CHARGE

6.50 oz.  
R-22

FOR ORDERING INFORMATION REFER TO PARTS PRICE LIST

# CABINET PARTS

For Model: AD35USS1



<b>Illus. No.</b>	<b>Part No.</b>	<b>DESCRIPTION</b>
1	1188395	Cabinet, Front
2	1188396	Cabinet, Rear
3	1188341	Float
4	1188912	Bucket Assembly (Includes Item 6)
5	9742177	Screw
6	1188402	Filter

---

**Following Parts Not Illustrated  
and Optional Parts Not Included**

---

	Valve, Access
978025	1/4" Tube O.D.
978026	5/16" Tube O.D.
978027	3/8" Tube O.D.
978028	1/2" Tube O.D.
978029	5/8" Tube O.D.
978030	3/4" Tube O.D.
978865Bulk	Seal, Ring Access Valve (20 Pack)

FOR ORDERING INFORMATION REFER TO PARTS PRICE LIST

## Free Manuals Download Website

<http://myh66.com>

<http://usermanuals.us>

<http://www.somanuals.com>

<http://www.4manuals.cc>

<http://www.manual-lib.com>

<http://www.404manual.com>

<http://www.luxmanual.com>

<http://aubethermostatmanual.com>

Golf course search by state

<http://golfingnear.com>

Email search by domain

<http://emailbydomain.com>

Auto manuals search

<http://auto.somanuals.com>

TV manuals search

<http://tv.somanuals.com>