



Service Manual

Dishwasher

ADP 431 WT

Model ADP 431 WT
Version 8542 431 10000

Technical data	4812 718 50034
Spare parts list	4812 718 81471
Exploded view	4812 718 60438
Exploded view	4812 718 60497
Exploded view	4812 718 60424
Text/Legend	4812 718 70153
Wiring diagram	4812 718 70123
Circuit diagram	4812 718 70124
Program diagram	4812 718 70125

This documentation is only intended for qualified technicians who are aware of the respective safety regulations.

Date: 08.08.1994

Document-No.: 4812 718 10918

Register Nr.:

Subject to modification

		"PROGRAM 94" Standardrange (WP)	
		Free-standing	Built-in models
1. Dimension			
Height		85 cm	82 cm
Width		59,4 cm	59,4 cm
Depth		60 cm	56,8 cm
Weight		53 kg	52 kg
Wrapping		Shrink film	
2. Specification / PI-Expression			
Water consumption		25,0	l
Energy consumption		1,8	kWh
Program step		app. 89	min
Noise level build-in models:			
Standardrange		56	dB (A)
Free-standing models: app. 2 dB (A) louder			
Detergent		25-75	ml
Separate contained	chamber	l = 1/3	lI = 2/3
Salt consumption by	21° dh	max. 30	gram
Water connection		25	°C
Capacity		12	stand. place settings
3. Volume			
Water			
Basic level		5,7	l
Working level		5,7	l
Safety level		9,0	l
Overflow-level		12,5	l
Detergent		max. 75	gram
Clear rinse		130	cm ³
6 Dossier steps		1-6	cm ³
Salt container		2	kg
4. Flow Rates / Inlet Volumes			
Spray pump		70	l / min
Drain pump		16,5	l / min
Water inlet	elctrovalve	5,5	l
5. Water Pressure			
Inlet pressure		1-10	bar
Spray pump pressure		0,37	bar
6. Rotations			
SP - Motor		2800	r/min
DP - Motor		2800	r/min
Spray arm lower		57 ± 7	r/min
Spray arm upper		34 ± 6	r/min

7. Electrical Data

Base level

Voltage	220/230/50	V/V/Hz
Total power	app. 3	kW
Fuses	10/16	A
Water connection up to	25	°C

Timer

Model	EC 4326
Basic step times	15", 45", 60" 120", 270"

Heating

1 Element system:	220 V	2800/1800 W	app. 16,0 Ohm
	230 V	3060 W	app. 17,0 Ohm
2 Element system: (CH + DK)			
Element A	220 V	1850 W	app. 25,3 Ohm
Element B	220 V	950 W	app. 49,5 Ohm

Motor

SP - Motor	220 V/130 W	HI=121 Ohm	HA=30 Ohm
Capacitor	3 µF		
DP Motor	220/240 V	30 W	170 Ohm
Timer motor	220/240 V		5640 + 400 Ohm

Valve

Inlet valve			
Double valve	220/240 V	6 W	3620 Ohm
Regeneration valve	220/240 V	8 W	2300 Ohm

Relay

Relay	220/240 V	50/60 Hz	5500 Ohm
-------	-----------	----------	----------

Thermostats

	Indication colour		
Thermostat	without	40 °C	SP 40 ± 3 °C RSP 29 ± 5 °C
Thermostat	red	55 °C	SP 55 ± 3 °C RSP 40 ± 5 °C
Thermostat	white	65 °C	SP 68 ± 3 °C RSP 57 ± 5 °C
Housing colour	brown		
Reset			
Safety thermostat	with manual reset		SP 180 ± 7 °C

8. Water Levels

Basic level	SP	137 ± 5	RSP 40 ± 5 mm ws
Working level	SP	137 ± 5	RSP 40 ± 5 mm ws
Safety level	SP	150 ± 5	RSP 100 ± 5 mm ws

9. Water Measuring

Basic level	125 mm
Working level	125 mm
Safety level	136 mm

10. Regenerating Steps and Volumes

Figure	Volume	Steps	Water hardness
Figure	360 cm³	24	< 30° dh = < 5,0 mmol / l

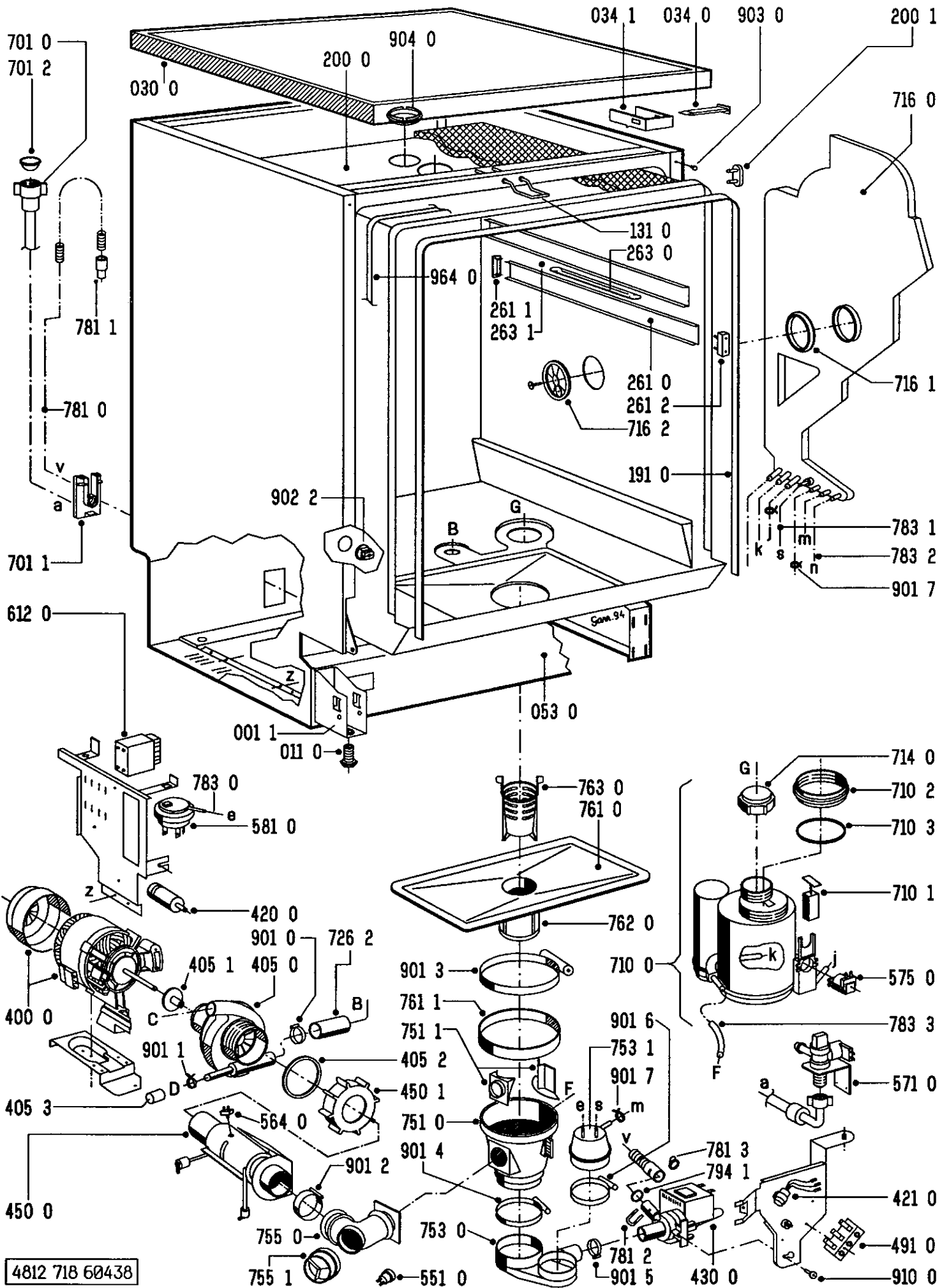
Model
Service No.
Version

ADP 431 WT
854243110000
8542 431 10000

Pos. No.	12 NC Code	Description	from	to
001 1	4812 404 48578	Bracket foot		
011 0	4812 505 18006	Foot short, adjustable		
030 0	4812 310 18279	Table top cpl. WH		
034 0	4812 404 78087	Pin		
034 1	4812 404 78088	Fastener		
053 0	4812 440 88023	Plinth sheet		
131 0	4819 401 18428	Hook lock		
191 0	4812 466 68408	Gasket door		
200 0	4812 418 18042	Container insulated		
200 1	4819 535 78066	Fastener Container		
261 0	4819 462 38271	Rail telescope, inner		
261 1	4819 404 48819	Cap f.rail		
261 2	4819 404 49951	Cap f.rail ahead		
263 0	4819 520 18013	Ball cage cpl.		
263 1	4812 520 48001	Ball Niro 8 D		
400 0	4812 361 58007	Motor with spray pump cpl.		
405 0	4812 360 18014	Pump spray		
405 1	4819 515 28158	Gasket		
405 2	4819 466 69401	Gasket		
405 3	4819 440 19139	Cap		
420 0	4819 121 18102	Capacitor		
421 0	4819 121 18063	Interf.filter		
430 0	4812 360 18022	Pump,draining cpl.		
450 0	4812 259 28072	Heating element set		
450 1	4819 532 68332	Nut		
491 0	4819 401 18269	Terminal block 3 poles		
551 0	4819 282 48198	Thermostat 65 degree		
564 0	4819 282 48099	Thermostat safety		
571 0	4812 281 28059	Valve,magnet inlet		
575 0	4819 281 28184	Regen.valve		
581 0	4812 271 28188	Pressostat		
612 0	4812 280 58006	Relay heating		
701 0	4819 530 28283	Hose, inlet 2m		
701 1	4812 310 18153	Yoke clamp set		
701 2	4822 480 50159	Sieve inlet		
710 0	4812 418 68108	Monoblock		
710 1	4819 360 58381	Floater		
710 2	4819 310 38536	Nut threaded ring set		
710 3	4819 466 69562	Gasket set		
714 0	4819 462 78885	Threaded cap cpl. salt		
716 0	4812 418 68115	Reg.dosage set		
716 1	4819 466 69037	Ring,rubber		
716 2	4819 462 78504	Can plug		
726 2	4819 530 28538	Hose bow		
751 0	4812 418 18043	Water collector		
751 1	4819 515 28157	Tube, stabilizer cpl.		
753 0	4812 530 28095	Suction pipe set		
753 1	4812 530 28736	Chamber,air		
755 0	4812 530 28094	Bend		
755 1	4819 404 49567	Holder thermostat		
761 0	4812 480 58048	Sieve fine		
761 1	4819 532 68331	Gasket		
762 0	4819 480 58084	Microfilter		
763 0	4812 480 58049	Sieve coarse		
781 0	4819 530 28534	Hose,draining		

Model
Service No.
Version**ADP 431 WT**
854243110000
8542 431 10000

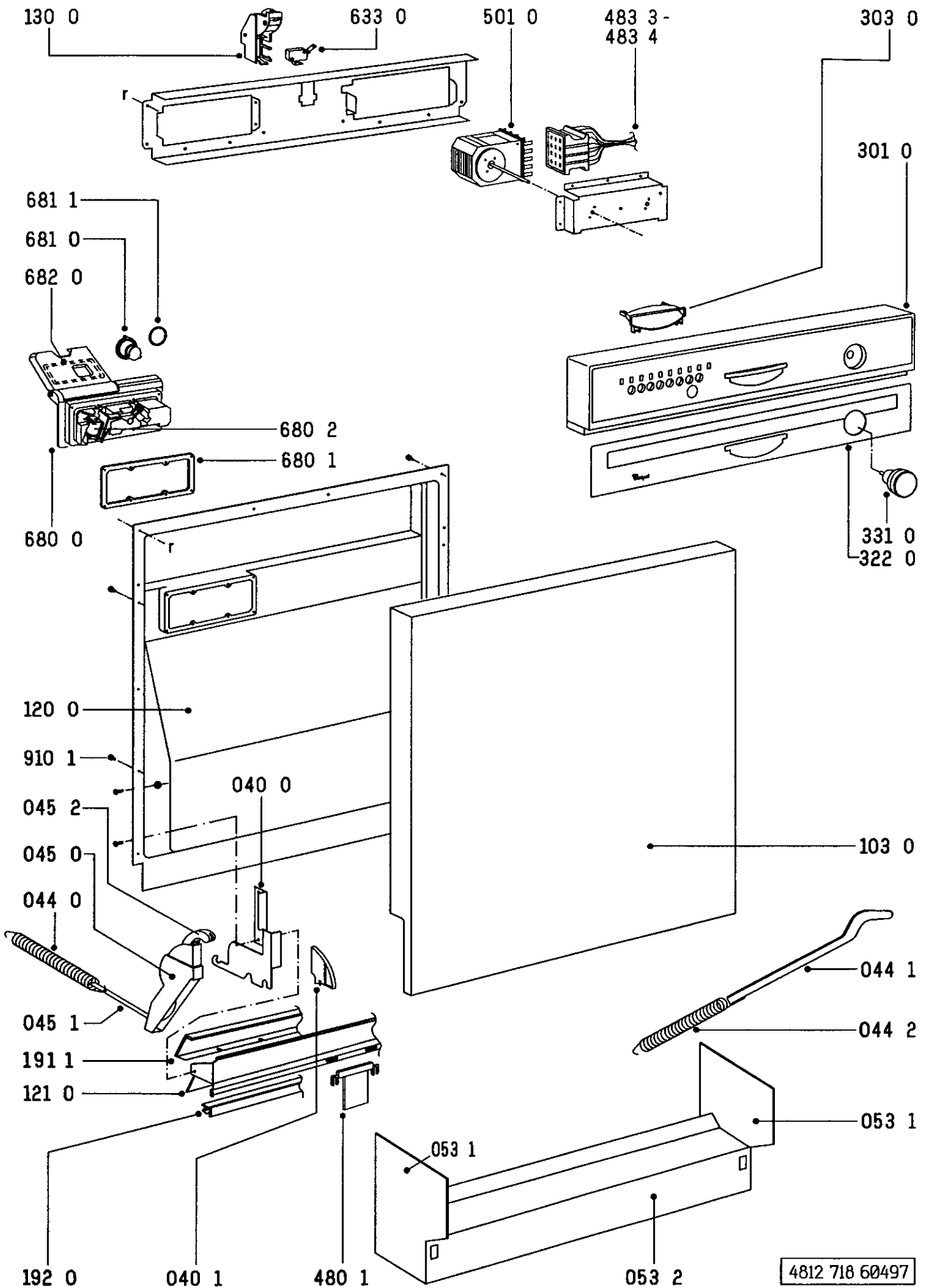
Pos. No.	12 NC Code	Description	from	to
781 1	4819 530 28286	Sleeve hose		
781 2	4819 492 68405	Clip f.non-return valve		
781 3	4812 360 58095	Flap f.non-return valve		
783 0	4812 530 28097	Hose		
783 1	4812 530 28738	Hose		
783 2	4812 530 28093	Hose		
783 3	4812 530 28018	Hose		
794 1	4819 530 58032	Gasket 20x2,5		
901 0	4812 401 18075	Strap 20-32/9		
901 1	4812 401 18083	Strap 12-20/9		
901 2	4812 401 18076	Strap 32-50/9		
901 3	4819 401 18368	Strap 130-150		
901 4	4812 401 18031	Strap 82mm		
901 5	4812 401 18084	Strap 42mm		
901 6	4812 401 18085	Strap 69mm		
901 7	4812 401 18024	Strap YDNAC 10081		
902 2	4812 290 48007	Strain relief		
903 0	4819 466 68905	Arret door		
904 0	4812 462 78244	Lid		
910 0	4812 502 18018	Screw BN 36971.31		
964 0	4812 460 58096	Tape,sealing		



Model
Service No.
Version

ADP 431 WT
854243110000
8542 431 10000

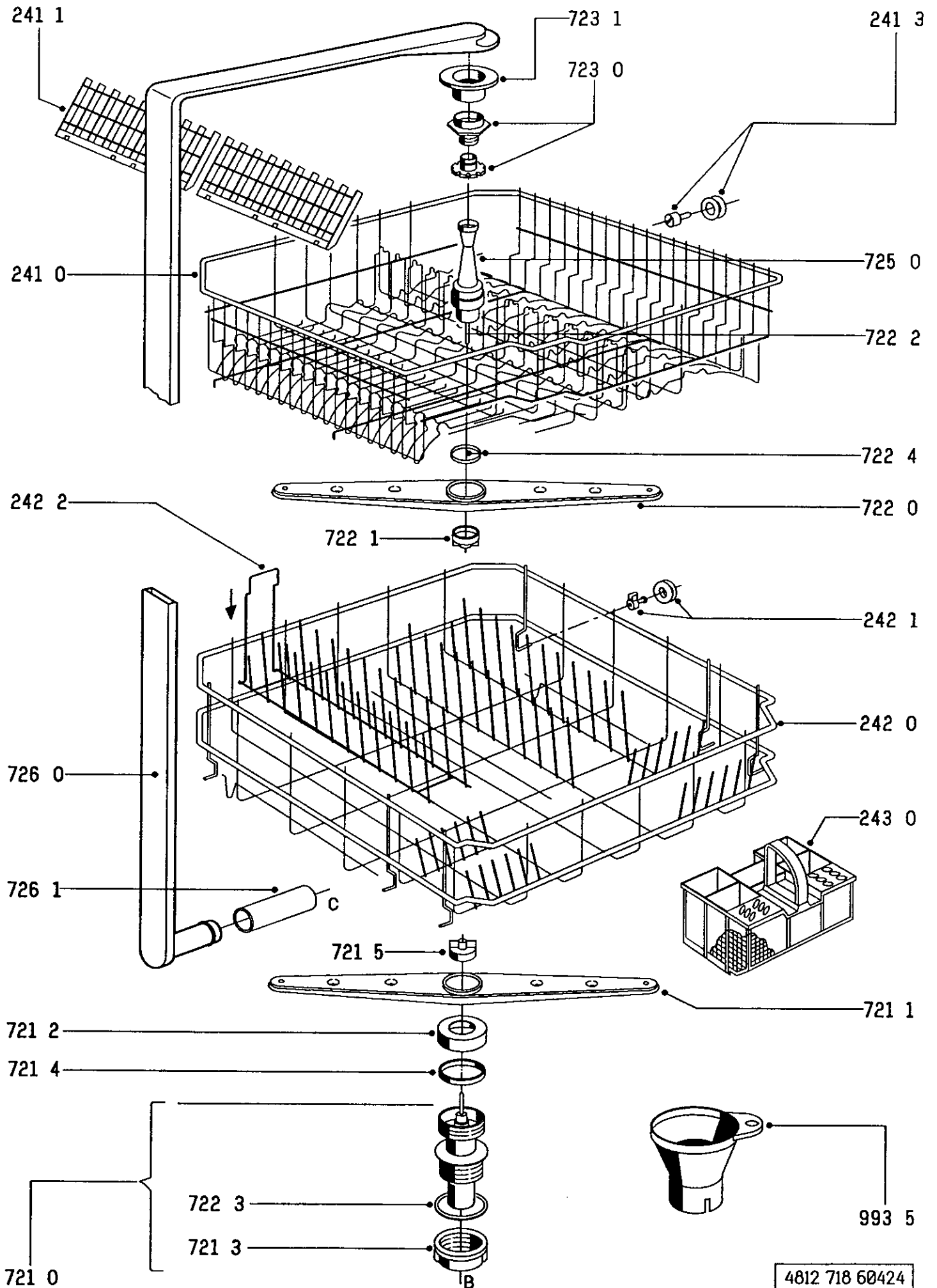
Pos. No.	12 NC Code	Description	from	to
040 0	4812 417 18309	Hinge set		
040 1	4812 417 18311	Cover,hinge set		
044 0	4812 492 38011	Spring f. door left		
044 1	4812 492 38012	Extension f. spring		
044 2	4812 492 38046	Spring f.door right		
045 0	4812 404 48114	Brake f. door		
045 1	4812 401 18079	Band,brake		
045 2	4812 401 18081	Hoop connection		
053 1	4812 440 18597	Pedestal cover ri+le WH		
053 2	4812 440 18584	Plinth middle part WH		
103 0	4812 440 18179	Door outer WH		
120 0	4812 440 18569	Door,inner		
121 0	4812 404 48577	Batten cpl.		
130 0	4812 417 58019	Tilt lock		
191 1	4812 466 68164	Gasket,door inner		
192 0	4812 466 68163	Gasket,door lower		
301 0	4812 453 78377	Control panel WH		
303 0	4812 460 58019	Grip WH		
322 0	4812 453 78999	Insert panel WH		
331 0	4812 453 58764	Knob program WH		
480 0	4812 321 28015	Cable harness wiring "A" n.sh.		
480 1	4819 466 98512	Cover of cable		
480 2	4819 310 38589	Cable kit repair n.sh.		
480 3	4812 290 48003	Cable separator n.sh.		
483 3	4812 263 78004	Cable set heating relay 2poles		
483 4	4812 267 48001	Cable set timer 6poles		
501 0	4812 282 18242	Timer EC 4326.01 B		
633 0	4812 271 38013	Microswitch door		
680 0	4812 418 68119	Combidosage		
680 1	4819 466 69393	Gasket set		
680 2	4819 281 68021	Coil set		
681 0	4812 462 78311	Threaded cap		
681 1	4812 466 68444	Gasket cover set		
682 0	4812 466 68445	Gasket cover set		
910 1	4812 502 18019	Screw		



Model
Service No.
Version

ADP 431 WT
854243110000
8542 431 10000

Pos. No.	12 NC Code	Description	from	to
241 0	4812 458 18241	Basket upper cpl.		
241 1	4819 404 49949	Holder cup		
241 3	4819 528 88067	Wheel,basket upper		
242 0	4812 458 18242	Basket lower cpl.		
242 1	4819 528 88066	Wheel,basket lower		
242 2	4812 458 18239	Holder plate		
243 0	4812 458 18165	Basket cutlery		
721 0	4812 360 68039	Hub lower cpl.		
721 1	4812 360 68007	Arm,spray lower		
721 2	4819 505 18189	Nut,coupling		
721 3	4819 505 18187	Nut,coupling		
721 4	4819 466 69398	Gasket lower		
721 5	4812 502 18021	Nut rotor lower		
722 0	4819 360 69214	Arm,spray upper		
722 1	4822 505 10538	Nut		
722 2	4819 535 78124	Bearing rotor hub		
722 3	4819 466 69396	Gasket		
722 4	4819 466 69399	Gasket upper		
723 0	4812 360 68038	Set of nozzles		
723 1	4819 466 68908	Nipple gasket		
725 0	4819 532 88036	Funnel		
726 0	4812 530 28746	Tube		
726 1	4819 530 28539	Hose connecting		
993 5	4822 532 80216	Funnel salt		



Code	Kurzzeichenerklärung	Explanation of abbreviations	EXPLICATION DES ABREVIATIONS	Code	Kurzzeichenerklärung	Explanation of abbreviations	EXPLICATION DES ABREVIATIONS
C	Kondensator	capacitor	CONDENSATEUR	VM	Gebälse für Trocknung	motor fan for ventilation-drying	VENTILATEUR DE SECHAGE
CA	Haupterdungspunkt	main earthing point	BORNE PRINCIPALE MISE A LA TERRE	WS+LS6	Schwimmerschalter	float switch	INTERRUPTEUR DE FLOTTEUR
CD	Anzeigemodul	control display	AFFICHAGE	WV	Zulaufventil	inlet valve	VANNE D'ENTREE D'EAU
DD	Dosierung Reiniger	cleaning agent dosage	DOSAGE LAVAGE	WV2	Regenerierventil	regenerating valve	VANNE DE REGENERATION
DPM	Laugenpumpe	drain pump	POMPE DE VIDANGE	WVS	Sicherheitsventil	safety valve	VANNE DE SECURITE
DR	Dosierung Klarspüler	final rinsing dosage	DOSAGE DE RINCAGE FINAL				
DS	Türschalter	door switch	INTERRUPTEUR DE PORTE				
EM	Elektromagnet überfahren	bypassing electromagnet	ELECTRO-AIMANT	Code	Zusätzlich für D-Familie	Additionally in range D	ADDITIF A LA FAMILIE D
GLP1	Betriebsleuchte	pilot lamp	LAMPE-TEMOIN	PS (1-7)	Taste Start/Überhub	push-button start/overstroke	TOUCHE DEMARRAGE
GLP2	Salzanzeigeleuchte	lamp of salt indication	LAMPE D'INDICATION DE SEL	PS (1)	Taste Vorspülen	push-button pre-rinsing	TOUCHE PRE-RINCAGE
HEW	Heizung	heating	ELEMENT CHAUFFANT	PS (2)	Taste Intensiv	push-button intensive	TOUCHE INTENSIVE
I3	Steckkupplung	plug connector	CONNECTEUR	PS (3)	Taste Normal-Programm 65° C	push-button normal progr. 65° C	TOUCHE PROGRAMME NORMAL 65° C
IC	Entstörkondensator	interference capacitor	CONDENSATEUR D'ANTIPARASITAGE	PS (4)	Taste Normal-Programm 55° C	push-button normal progr. 55° C	TOUCHE PROGRAMME NORMAL 55° C
IF	Funkentstörfilter	filter of interference suppression	FILTRE D'ANTIPARASITAGE	PS (5)	Taste Sparprogramm	push-button economy program	TOUCHE PROGRAMME ECONOMIQUE
IFD	Entstörglied (RC)	interference unit	ELEMENT D'ANTIPARASITAGE	PS (6)	Taste Rapidprogramm	push-button rapid program	TOUCHE PROGRAMME RAPIDE
IS	Zusatzdrossel	additional choke coil	SELF (BOBINE)	PS (7)	Taste Fein/Glasprogramm	push-button fine/glass program	TOUCHE PROGRAMME VERRES
LS6	Schwimmerschalter	float switch	INTERRUPTEUR DE FLOTTEUR				
LU	Logikmodul	logic unit	MODULE LOGIQUE	Code	Adernfarbe	Colour of wire	COULEUR DE FIL
MS	Hauptschalter	main switch	INTERRUPTEUR PRINCIPAL	A	schwarz	black	NOIR
NTC	Temperatursensor	temperature sensor	SONDE TEMPERATURE	B	braun	brown	BRUN
PL1	Betriebsleuchte	pilot lamp	LAMPE-TEMOIN	C	rot	red	ROUGE
PL15	Salzleuchte	pilot lamp for salt refill	VOYANT NIVEAU DE SEL	D	orange	orange	ORANGE
PL22	Klarspülleuchte	pilot lamp for rinse aid refill	VOYANT PRODUIT DE RINCAGE	E	gelb	yellow	JAUNE
PP	Hauptschalter im Timer	main switch in timer	INTERRUPTEUR PROGRAMMATEUR	F	grün	green	VERT
PRL	Basis-Niveauschalter	base level switch	PRESSOSTAT DE BASE	G	blau	blue	BLEU
PRN	Arbeits-Niveauschalter	working level switch	PRESSOSTAT DE TRAVAIL	H	violett	violet	VIOLET
PRP	Hochdruck-Niveauschalter	high pressure level switch	PRESSOSTAT HAUTE-PRESSION	J	grau	grey	GRIS
PRS	Sicherheits-Niveauschalter	safety level switch	PRESSOSTAT DE SECURITE	K	weiß	white	BLANC
PS	Programmtaste	program push-button	TOUCHE DE PROGRAMME	NA	rosa	pink	ROSE
PS	Eingabemodul	program selector	SELECTEUR DU PROGRAMME	AA	transparent	transparent	TRANSPARENT
PS2	Rapidtaste	rapid push-button	TOUCHE RAPIDE	FE	grün-gelb	green-yellow	VERT-JAUNE
PS3	55 Grad Taste	push-button 55 degrees	TOUCHE 55 DEGRES				
PS4	Intensivtaste	push-button intensive	TOUCHE INTENSIVE				
RE	Relais	relay	RELAIS				
RE2	Heizungsrelais	heating relay	RELAIS DE CHAUFFAGE				
RR	Reedkontakt	reed contact	CONTACT REED				
TB	Verteilerleiste	distribution trim	BARRETTE DE CONNEXION				
TB1	Steckkupplung	plug coupler	CONNECTEUR				
TBL	Netzklemmleiste	power supply terminal	BORNIER SECTEUR				
TDS	Zetschaltuhr	delay timer	MINUTERIE				
TH/H	Thermostat-Erdungspunkt	thermostat earthing point	BORNE DE TERRE THERMOSTAT				
TH40	Thermostat 40° C	thermostat 40° C	THERMOSTAT 40° C				
TH55	Thermostat 55° C	thermostat 55° C	THERMOSTAT 55° C				
TH65	Thermostat 65° C	thermostat 65° C	THERMOSTAT 65° C				
THS1	Sicherheitsthermostat	safety thermostat	THERMOSTAT DE SECURITE				
THS2	Sicherheitsthermostat	safety thermostat	THERMOSTAT DE SECURITE				
TIS	Timerkontakt	timer contact	CONTACT DE PROGRAMMATEUR				
TL	Wicklungsschutzkontakt	winding protective contact	CONTACT DE PROTECTION D'ENROULEMENT				
TM	Timer Motor	timer motor	MOTEUR DE PROGRAMMATEUR				
TR	Transformator	transformer	TRANSFORMATEUR				
VDR	Widerstand	resistor	RESISTANCE				

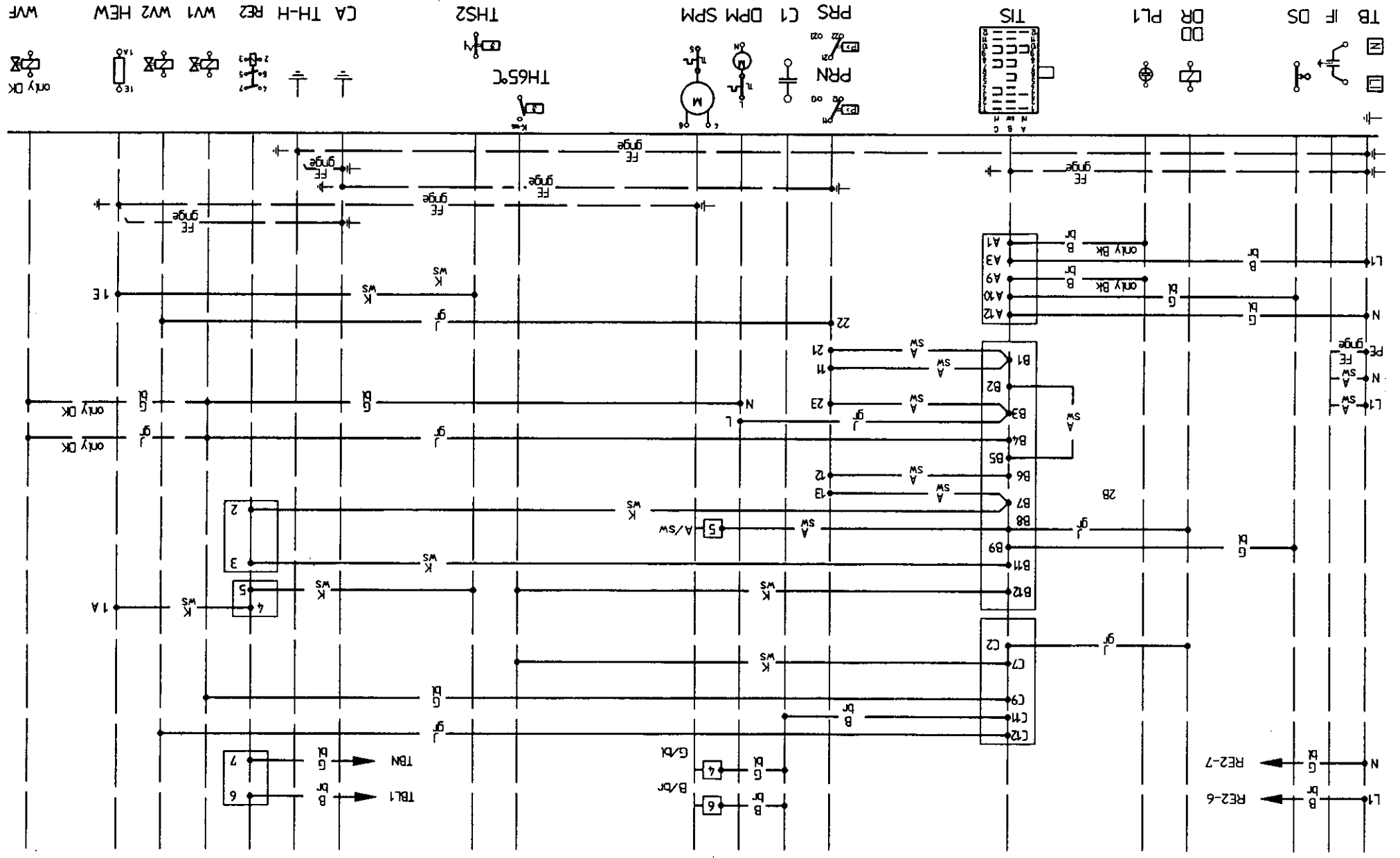
10.01.1994

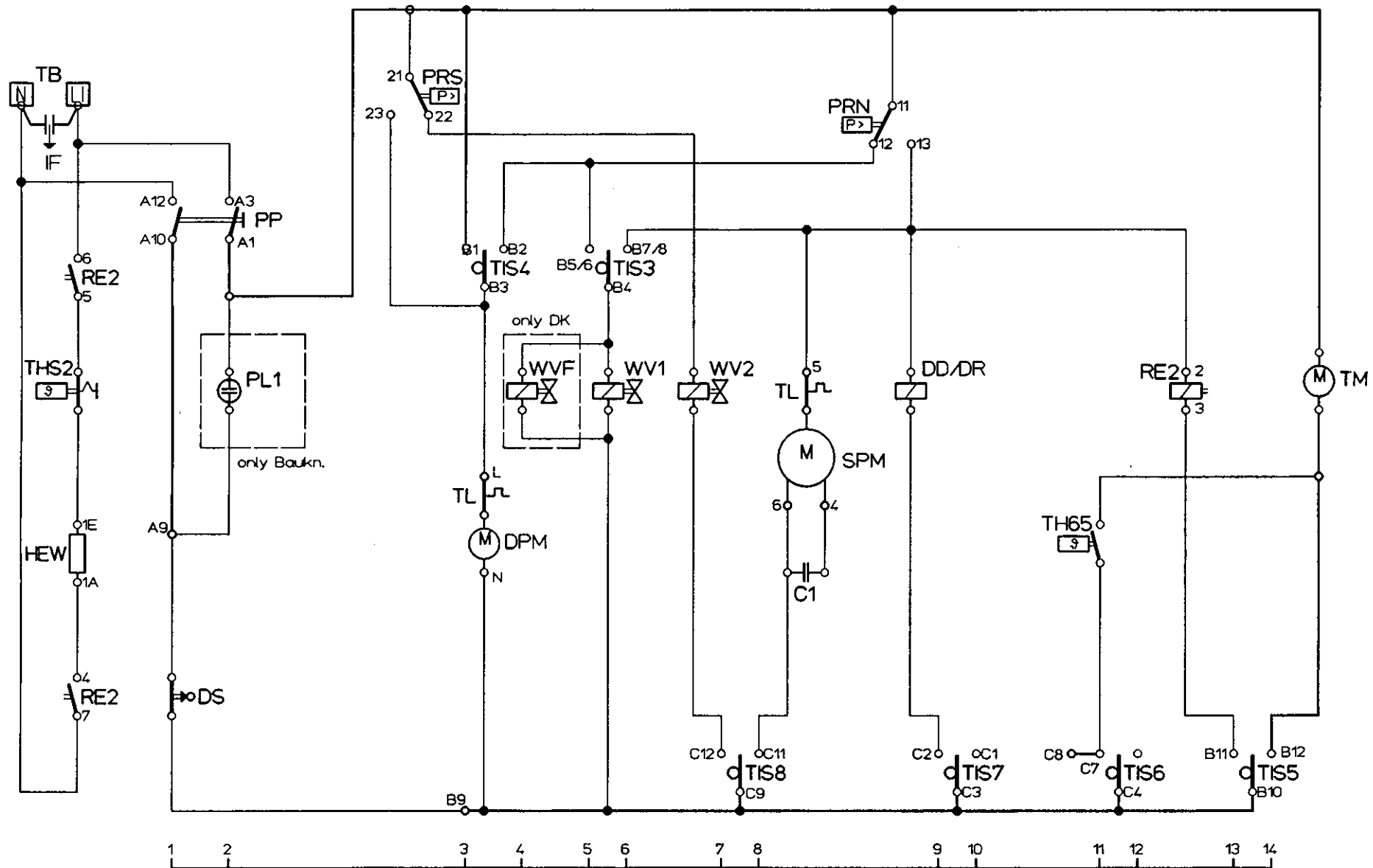
4812 718 70153

STROMLAUFPLAN - CIRCUIT DIAGRAM
 ANSCHLUSSPLAN - WIRING DIAGRAM
 SCHEMA DE CABLAGE - ASP
 - SCHEMA DE PRINCIPE - SLP
 KURZZEICHEN - ABBREVIATION MARK
 - ABBREVIATION MARK - KZ
 SCHLIESS-SCHEMA - PROGRAM DIAGRAM
 - CHARTRE PROGRAMME - SS
 - ASP-NO.: 08 4812 718 70123 (00)
 DW / GS / P28/2 "3000"

TYPE: Standard-Range A1 - A2
 1N - 220-240V

DATE 29.06.93
 SERIES-TIMER EC 4326.01 B
 SERVICE-TIMER EC 4326.01 B
 SACH-NR. 4619 720
 10761 / 01





STROMLAUFPLAN - CIRCUIT DIAGRAM - SCHEMA DE PRINCIPE - SLP
 ANSCHLUSSPLAN - WIRING DIAGRAM - SCHEMA DE CABLAGE - ASP
 SCHLISS-SCHEMA - PROGRAM DIAGRAM - CHARTE PROGRAMME - SS
 KURZZEICHEN - ABBREVIATION MARK - ABBREVIATION - KZ

DW / GS / P28/2 "3000"
 -SLP- NO.: 08 4812 718 70124 (00)

TYPE:
Standard-Range A1 - A2
1N - 220-240V

SERIES-TIMER
 EC 4326.01 B
 SERVICE-TIMER
 EC 4326.01 B

DATE
 29.06.93
 SACH-NR.
 4619 720
 10721 / 01

- STROMLAUFPLAN
- CIRCUIT DIAGRAM
- SCHEMA CIRCUIT
- SLP
- ASP
- SCHEMA CONNEX
- WIRING DIAGRAM
- ANSCHLUSSPLAN
- SCHLEB-SCHEMA
- PROGRAM DIAGRAM
- SCHEMA DE FERM.
- SS
- KZ
- KURZZEICHEN
- ABBREVIATION MARK
- SINGLE

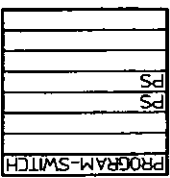
- NO PROGRAMM FUNCTION
- CONTACT CLOSED
- 1 TIME UP TO WATERLEVEL
- 2 HEATING TIME UP TO 55°C OR 65°C
- 3 DRAINING TIME UP TO EMPTY

DW / GS / P28/2 "3000"
 -SS- NO.: 08 4812 718 70125 (00)

TYPE: Standard-Range

SERIES-TIMER EC 4326.01 B
 SERVICE-TIMER EC 4326.01 B
 SACH-NR. 4619 720
 DATUM 29.06.93
 14251 / 00

TIMER POSITION	TIMER CONTACTS (TIS)												PROGRAMME TABLE
	SPRAY PUMP (SPM)	REGENERATION VALVE (WV2)	DOSAG. DETERG. A. RINSE AD (DD-DR)	MAN WASH 40° OR 55°C	MAN WASH A. FINAL RINSE 65°C	HEATING RELAYS (GR2)	TM LINE (TM)	DRAINING PUMP DEPENDING OF LEVEL PRN	WATER INLET (WV)	WATER INLET TIME 5 SEC MAN WASH	PUSH-PULL	PUSH-PULL	
1													1
2													2
3													3
4													4
5													5
6													6
7													7
8													8
9													9
10													10
11													11
12													12
13													13
14													14
15													15
16													16
17													17
18													18
19													19
20													20
21													21
22													22
23													23
24													24
25													25
26													26
27													27
28													28
29													29
30													30
31													31
32													32
33													33
34													34
35													35
36													36
37													37
38													38
39													39
40													40
41													41
42													42
43													43
44													44
45													45
46													46
47													47
48													48
49													49
50													50
51													51
52													52
53													53
54													54
55													55
56													56
57													57
58													58
59													59
60													60



Free Manuals Download Website

<http://myh66.com>

<http://usermanuals.us>

<http://www.somanuals.com>

<http://www.4manuals.cc>

<http://www.manual-lib.com>

<http://www.404manual.com>

<http://www.luxmanual.com>

<http://aubethermostatmanual.com>

Golf course search by state

<http://golfingnear.com>

Email search by domain

<http://emailbydomain.com>

Auto manuals search

<http://auto.somanuals.com>

TV manuals search

<http://tv.somanuals.com>