



Service Manual

Ice Cube Maker

AGB 022/01/G/WP

Model Version		Page
	AGB 022/01/G/WP	
	8512 022 15072	
	Technical data	2
	Spare part list	3
	Exploded view	4
	Circuit and Wiring diagram	5

This documentation is only intended for qualified technicians who are aware of the respective safety regulations.

Date: 01.12.2000

Document-No.: 4812 710 17019

Subject to modification

Technical data

Dimensions

Height	61.0	cm
Width	55.5	cm
Depth	57.0	cm

Electrical connection

Voltage	220 - 240	V
Frequency	50	Hz

Power consumption

in 24 hours (at 16° C)	7.05	kWh
------------------------	------	-----

Freezing capacity (ice cube machine)

in 24 hours	20.4	kg
-------------	------	----

Compressor

Type	NB 1117 Z	
Capacity (CECOMAF)	127	W

Refrigerant

Type	R 134 a	
Quantity	170	g

Thermostat switching value (ice quantity)

Switch on temperature min.	+ 12.0	°C
Switch on temperature max.	+ 4.0	°C
Switch off temperature min.	+ 6.0	°C
Switch off temperature max.	- 2.0	°C

Thermostat switching value (ice thickness)

Switch on temperature min.	+ 2.0	°C
Switch on temperature max.	+ 2.0	°C
Switch off temperature min.	- 8.0	°C
Switch off temperature max.	- 15.0	°C

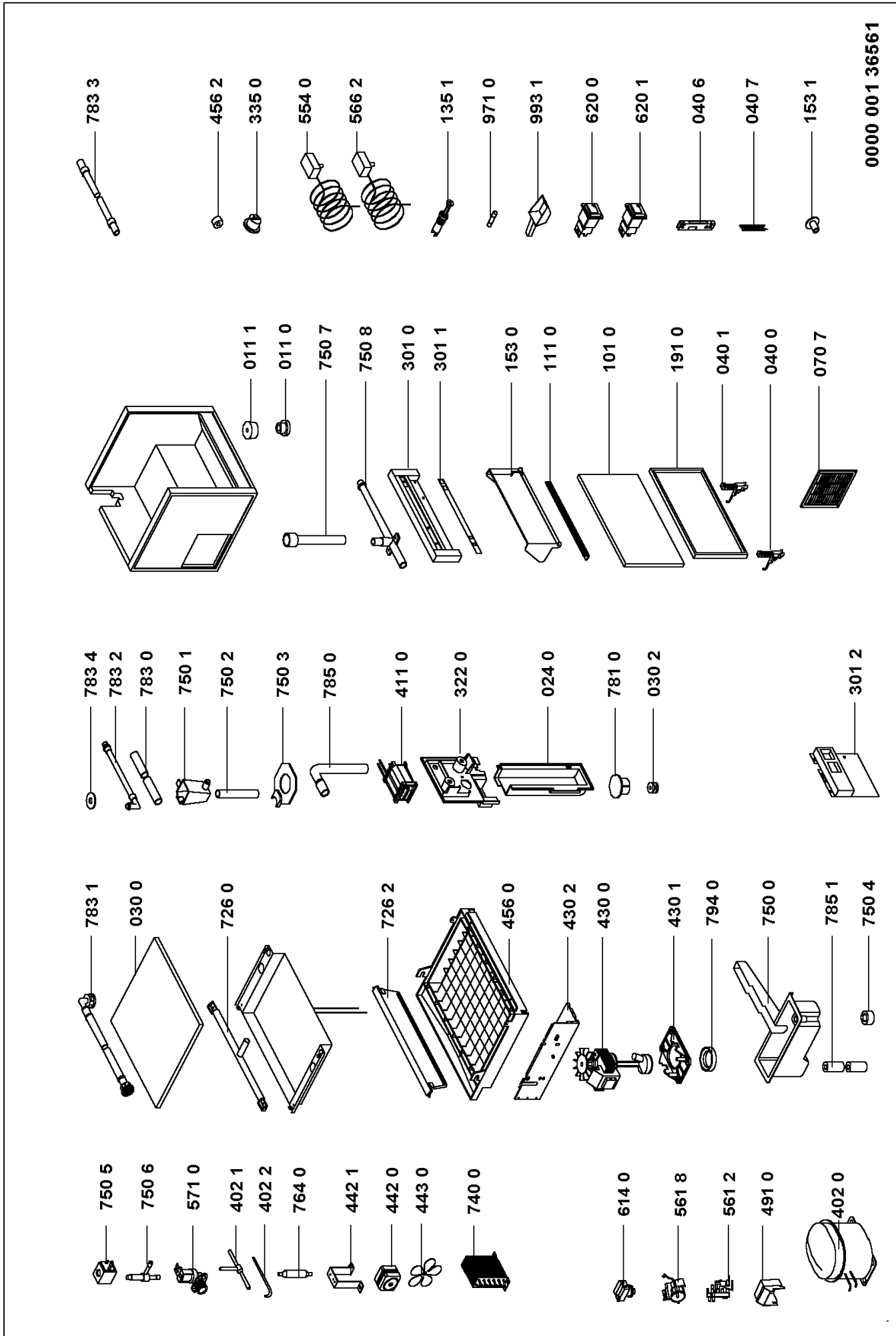
Spare part list

Model **AGB 022/01/G/WP**
Service No. **851202215072**
Version **851202215072**

Pos. No.	12NC Code	Description
011 0	4819 500 18116	Foot
011 1	4819 532 68413	Holder
024 0	4819 462 79583	Cover plate
030 0	4812 440 19982	Table top
030 2	4819 532 28158	Bushing
040 0	4819 417 18949	Hinge left
040 1	4819 417 18948	Hinge right
040 6	4819 417 19039	Holder f.hinge
040 7	4819 459 48413	Frame f.hinge
070 7	4819 458 58265	Grille
101 0	4812 416 18252	Door,freezer
111 0	4819 498 68991	Grip
135 1	4819 256 48006	Holder
153 0	4819 442 28652	Flap
153 1	4819 532 68296	Bushing
191 0	4819 466 69457	Magnetic seal
301 0	4819 442 28169	Control panel
301 1	4819 460 78096	Insert
301 2	4819 462 58102	Bracket
322 0	4819 452 99825	Bracket
335 0	4819 413 48086	Knob thermostat
402 0	4812 360 38684	Compressor NB 1117 Z
402 1	4819 526 48339	Coupling piece
402 2	4819 530 28941	Hose
411 0	4819 145 38025	Transformer
430 0	4819 361 78138	Motor ,pump cpl.
430 1	4819 404 49197	Holder f.pump
430 2	4819 404 78532	Support
442 0	4819 361 18449	Motor
442 1	4819 404 49562	Holder
443 0	4819 515 48056	Fan wheel
456 0	4819 259 98215	Res,icecube cut
456 2	4819 532 58012	Bushing
491 0	4812 290 88075	Cover,conn.bloc
554 0	4819 271 28842	Thermostat ,ice quantity
561 2	4819 290 68433	Connectionblock
561 8	4812 280 38014	Protect,motor
566 2	4819 271 28799	Thermostat ice thickness
571 0	4819 281 28224	Valve,magnet
614 0	4819 280 68212	Relay 220V
620 0	4819 276 18121	Switch blue
620 1	4819 276 18119	Switch green
726 0	4819 532 48002	Tube
726 2	4819 440 79896	Flap
740 0	4819 511 48619	Condenser
750 0	4819 418 79319	Container
750 1	4819 418 48238	Tube
750 2	4819 529 28128	Tube exhaust
750 3	4819 462 79088	Stopper
750 4	4819 526 48183	Stopper
750 5	4819 281 68028	Coil
750 6	4819 281 28248	Valve,magnet
750 7	4819 530 28588	Connection
750 8	4819 526 48341	Coupling piece
764 0	4819 480 28144	Dryer

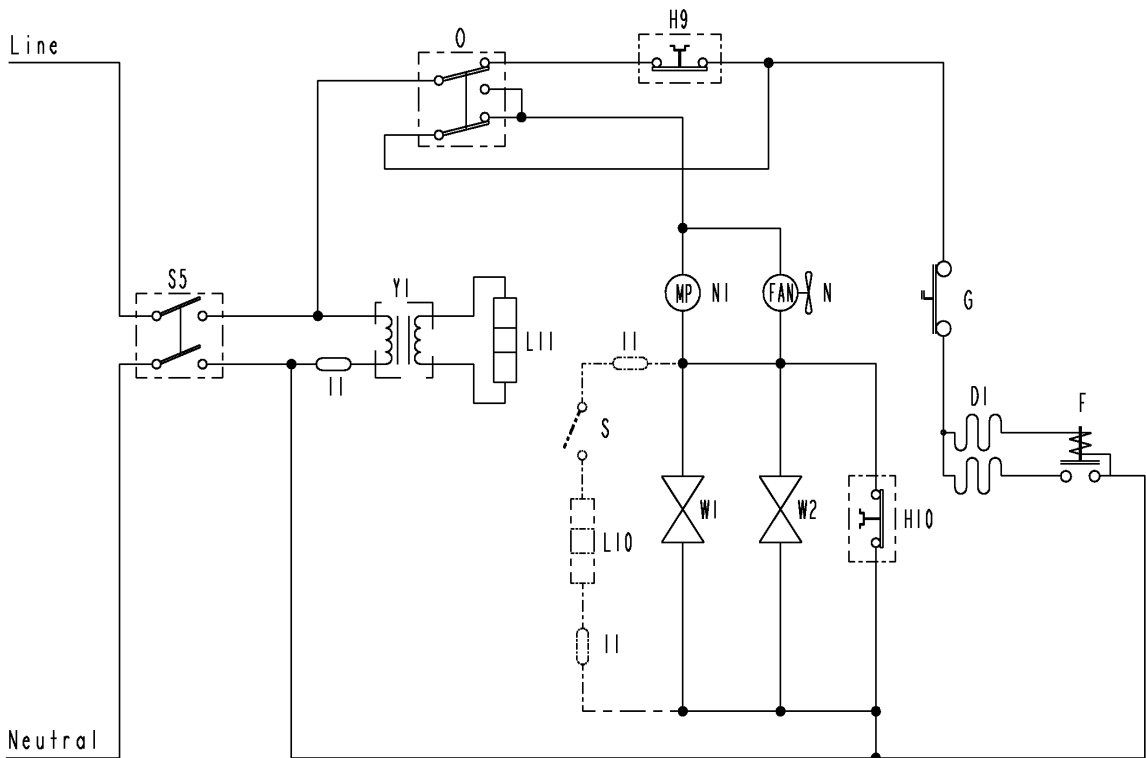
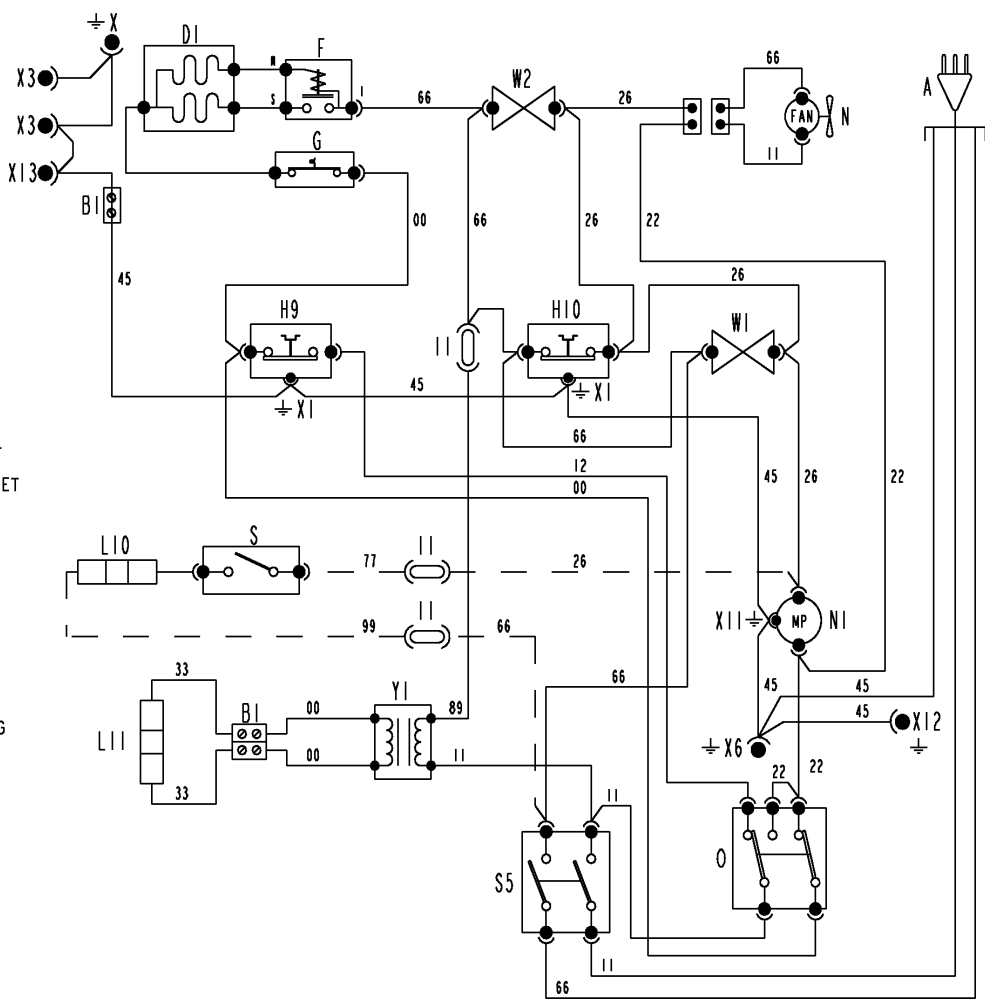
Pos. No.	12NC Code	Description
781 0	4819 462 78475	Stopper
783 0	4819 530 28541	Hose
783 1	4819 530 28736	Hose
783 2	4819 530 28742	Hose
783 3	4819 530 48499	Hose
783 4	4819 532 58239	Gasket
785 0	4819 529 28138	Tube
785 1	4819 530 28112	Insulator
794 0	4819 532 68096	Gasket
971 0	4819 253 38003	Fuse
993 1	4819 395 78012	Skimmer f.ice

Exploded view



Circuit and Wiring diagram

- A PLUG
- B1 CONNECT BLOCK
- D1 FREEZ. COMPRESSOR
- F STARTING RELAY
- G OVERLOAD PROTECTOR
- H9 ICE-QUANTITY THERM.
- H10 ICE-THICKNESS THERM.
- I1 FUSE
- L10 THERMOSTAT HEATER
- L11 ICE-CUTTER HEATER
- N FAN MOTOR
- NI PUMP MOTOR
- O WASH SWITCH
- S SWITCH
- S5 DOUBLE SWITCH
- W1 SOLENOID VALVE WATER INLET
- W2 SOLENOID VALVE WATER OUTLET
- Y1 TRANSFORMER
- X COMPRESSOR EARTHING
- X1 THERMOSTAT EARTHING
- X3 MOTOR BEARER EARTHING
- X6 CABINET EARTHING
- X11 PUMP MOTOR EARTHING
- X12 TOP EARTHING
- X13 BOTTOM CABINET EARTHING
- 00 BLACK
- 11 BROWN
- 12 BROWN/RED
- 22 RED
- 26 RED/BLUE
- 33 ORANGE
- 45 YELLOW GREEN
- 66 BLUE
- 77 VIOLET
- 89 BLUE-SKY/WHITE
- 99 WHITE
- OPTIONAL



4619 500 90110B

Free Manuals Download Website

<http://myh66.com>

<http://usermanuals.us>

<http://www.somanuals.com>

<http://www.4manuals.cc>

<http://www.manual-lib.com>

<http://www.404manual.com>

<http://www.luxmanual.com>

<http://aubethermostatmanual.com>

Golf course search by state

<http://golfingnear.com>

Email search by domain

<http://emailbydomain.com>

Auto manuals search

<http://auto.somanuals.com>

TV manuals search

<http://tv.somanuals.com>