



HOW TO INSTALL YOUR AUTOMATIC ICE MAKER



ECKMF-64

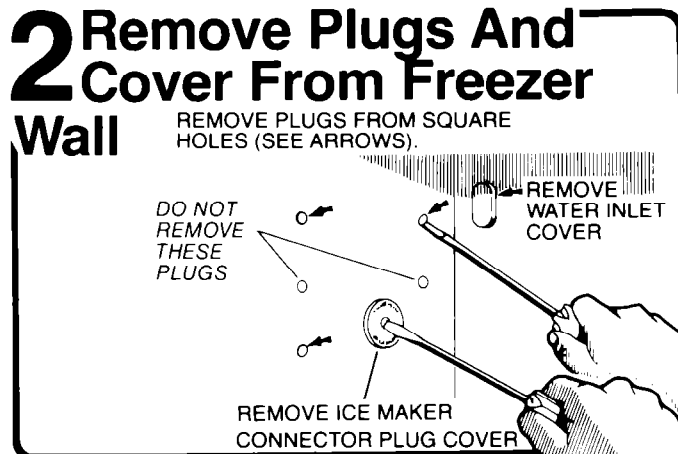
KEEP ALL PARTS IN THEIR OWN PACKAGE UNTIL NEEDED

PARTS ARE LISTED BY STEPS IN WHICH THEY ARE USED. ARRANGE IN ORDER BEFORE STARTING INSTALLATION.

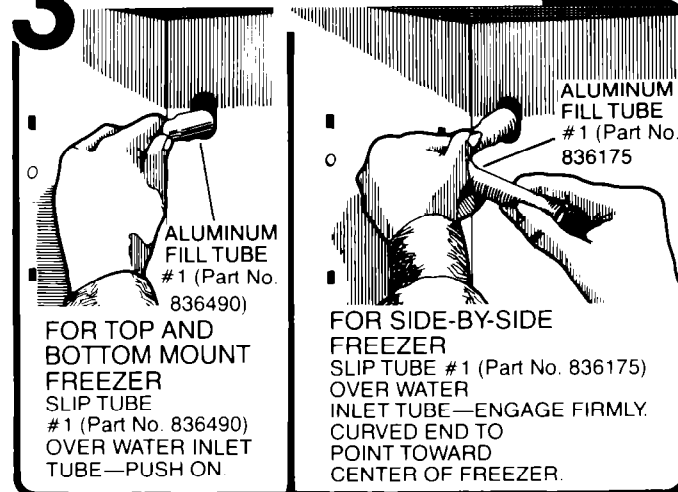
PART NO.	NAME	NUMBER REQUIRED	USED IN STEP NUMBER
#1 (836490) (836175)	ALUMINUM FILL TUBE	1	3
#2 (835649)	GROMMET	1	4
#3 (502037)	GROMMET	1	5
#4	ICE MAKER AND VALVE ASSEMBLY	1	7-8-9-10-13-14
#5 (488644)	SCREW	1	9
#6 (652604)	CLIP	1	10
#7 (939529)	ICE BUCKET	1	10
#8 (488649)	SCREWS	2	14
#9 (627858)	COPPER TUBE ASSEMBLY	1	15
#10 (627709)	PLASTIC TUBE ASSEMBLY	1	16-18-19
#11 (841707)	TUBE INSERTS	1	16-19
#12 (488878)	CLAMP	1	19
#13 (488366)	CLAMPS	2	18
#14 (488645)	SCREW	4	15-18-19



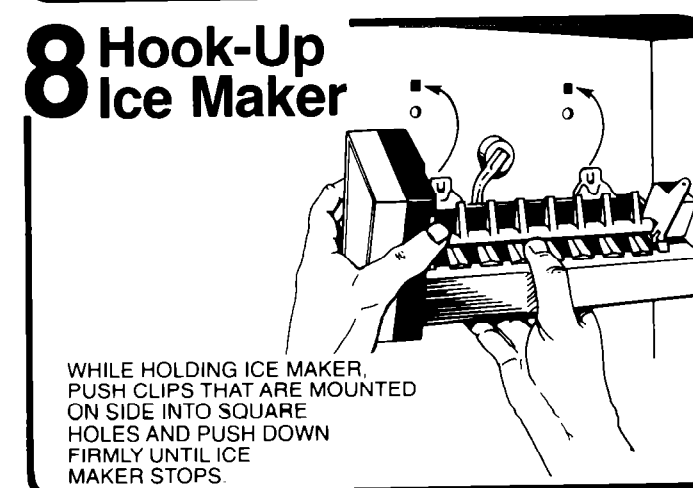
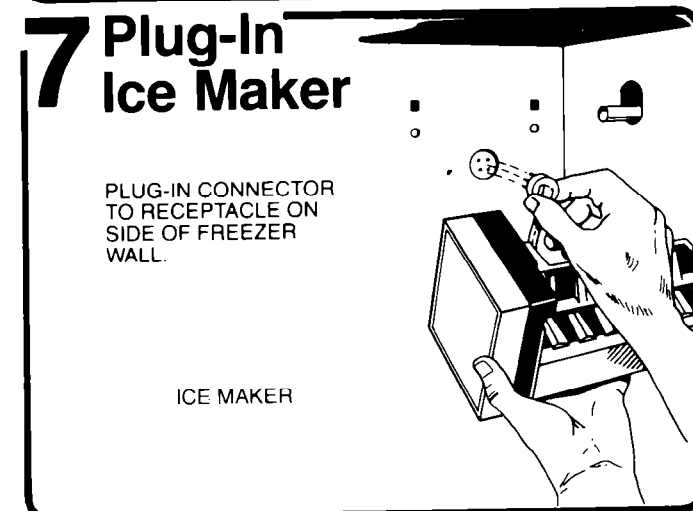
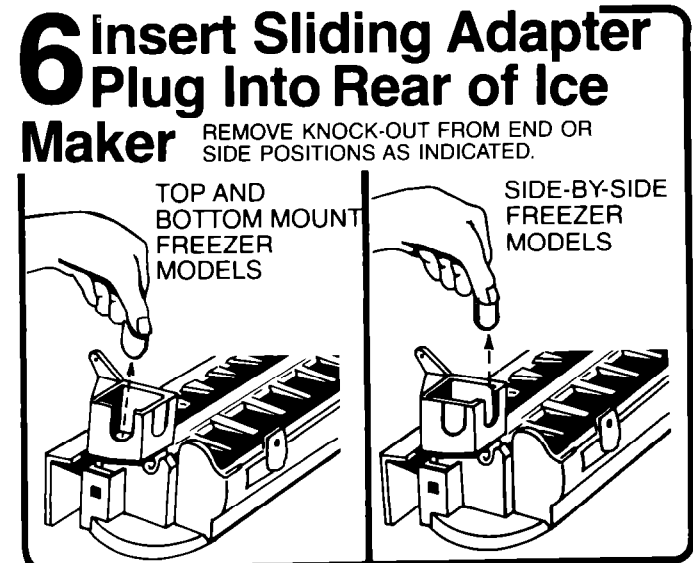
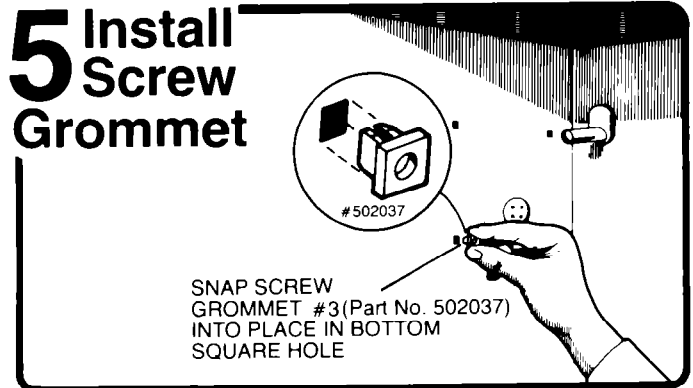
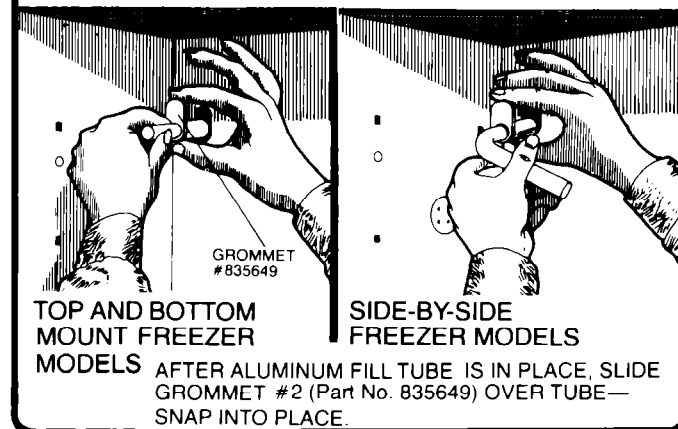
CONNECTING ICE MAKER TO FREEZER WALL



3 Install Water Tube



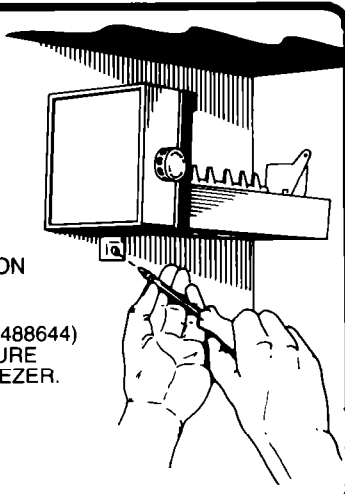
4 Install Water Fill Tube Grommet



9 Secure Ice Maker To Wall

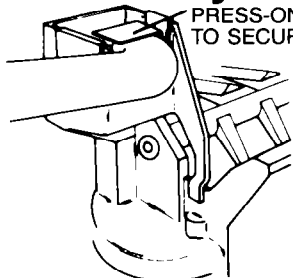
Install COVER
INSTALL KNOB. ALIGN INDEX MARK ON KNOB WITH MARK ON COVER AND PUSH ON.

INSTALL SCREW #5 (Part No. 488644) THROUGH BRACKET TO SECURE ICE MAKER TO WALL OF FREEZER.



10 Install Tube Clip On Side-By-Side Models Only

PRESS-ON CLIP #6 (Part No. 652604) TO SECURE TUBE.

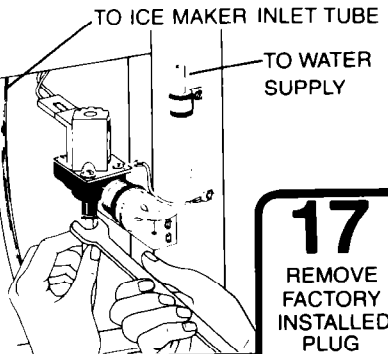


NOW ICE BUCKET #7 (PART NO. 939529) CAN BE SLID UNDER ICE MAKER.

Connect Water Line Between Water Valve (At The Bottom) To Inlet Tube (At The Top)

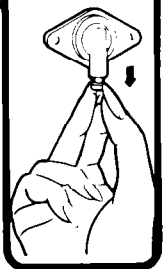
16

ATTACH WATER LINE #10 (Part No. 627709) BY PUSHING THE METAL INSERT END OF TUBING INTO WATER VALVE. TIGHTEN NYLON NUT (NOT TOO TIGHT) ONTO VALVE THREADS.



17

REMOVE FACTORY INSTALLED PLUG



18

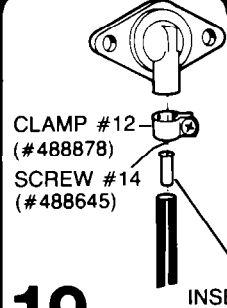
REMOVE SEALING SCREWS FROM BACK PANEL. CLAMP TUBE TO BACK PANEL.

2—CLAMPS #13 (Part No. 488366)
2—SCREWS #14 (Part No. 488645)



19

CUT TUBE TO LENGTH—PLACE INSERT IN END OF TUBE AND SLIDE INTO INLET TUBE. TIGHTEN CLAMP



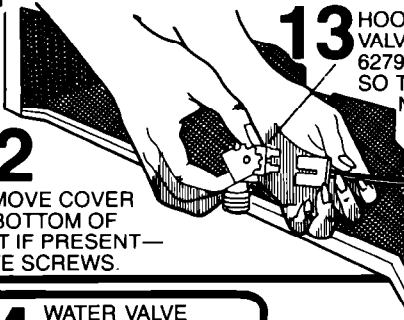
INSERT #11 (841707)

“OUTSIDE PARTS”-BAG

11 Now Go To Back Of Refrigerator To Hook-Up Water Line

12

REMOVE COVER AT BOTTOM OF UNIT IF PRESENT—SAVE SCREWS.



13 HOOK-UP WATER VALVE #4 (Part No. 627908) TO TERMINALS SO TERMINALS ARE NOT EXPOSED.

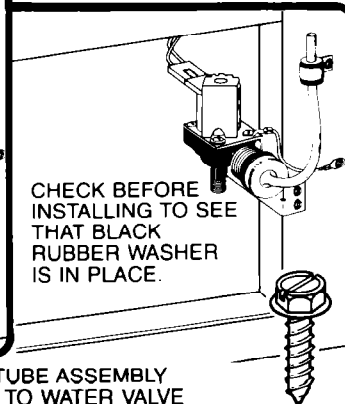
14

WATER VALVE #4 (Part No. 627908)

ATTACH WATER VALVE TO RIGHT REAR LEG OF REFRIGERATOR WITH SCREWS #8 (Part No. 488649)



CHECK BEFORE INSTALLING TO SEE THAT BLACK RUBBER WASHER IS IN PLACE.



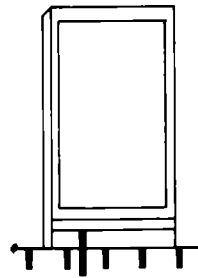
15

HOOK-UP COPPER TUBE ASSEMBLY #9 (Part No. 627858) TO WATER VALVE AND CLIP TO LEG WITH SCREW #14 (Part No. 488645)

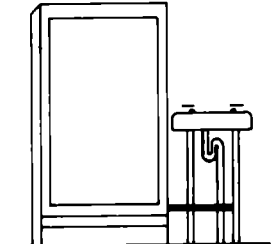
CONNECT ICE MAKER TO WATER SUPPLY

YOU WILL NEED ENOUGH 1/4-INCH O.D. COPPER TUBING TO CONNECT REFRIGERATOR TO WATER SOURCE. (SEE STEP 2 ON NEXT PAGE.)

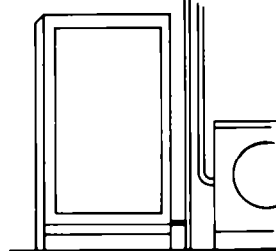
TYPICAL WAYS TO CONNECT TO WATER SUPPLY.



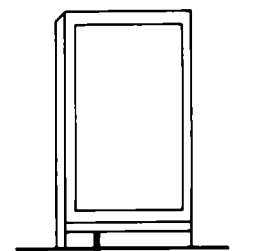
THROUGH FLOOR TO BASEMENT COLD WATER PIPE.



UNDER SINK TO COLD WATER PIPE.



THROUGH WALL TO UTILITY ROOM COLD WATER PIPE.



IN CRAWL SPACE UNDER HOME TO COLD WATER PIPE.

CAUTION: ICE MAKER TUBING SHOULD NOT BE INSTALLED WHERE TEMPERATURE MAY FALL BELOW FREEZING.

Connect Ice-Maker To Water (Contd.)

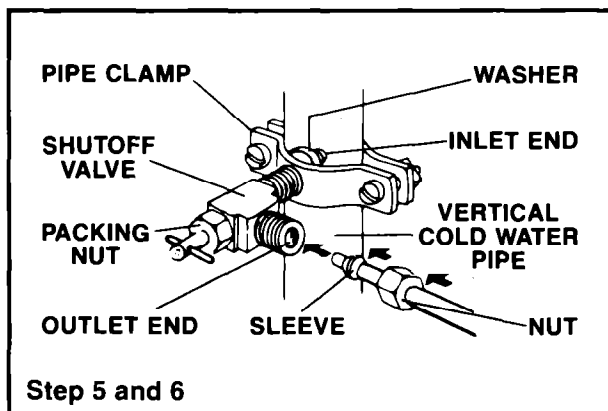
1. Find a 3/8-inch to 1-inch vertical COLD water pipe near the refrigerator. (Horizontal pipe will work...but extra precautions must be taken.) (See * in Step 4.) Connect to unsoftened water line if possible.
2. Measure from inlet on rear of refrigerator to water pipe. Add 7 feet to allow for moving refrigerator for cleaning. This is the length of 1/4-inch O.D. copper tubing you will need for the job (length from inlet tube to water pipe PLUS 7 feet). Be sure both ends of copper tubing are cut square.
3. Turn OFF main water supply. Turn ON nearest faucet long enough to clear line of water.
4. Using a grounded drill, drill a 1/4-inch hole in the vertical cold water pipe you have selected. Use of self piercing valve may lead to flow problems in the future. Some water almost always remains in pipes. If it enters the drill, it can cause lethal shock. BE SURE YOUR DRILL IS GROUNDED.

Fasten a separate ground wire from drill to a good ground that complies to local electrical codes. (If in doubt, consult a licensed electrician.) UNLESS PROPER GROUNDING IS FOLLOWED, YOU ARE NOT PROTECTED AGAINST SEVERE OR LETHAL SHOCK.

* If you must use a horizontal pipe, take extra precautions:

Drill on the top or side of the pipe, not bottom. This helps keep water away from the drill. Also, it keeps normal sediment from collecting in the valve.

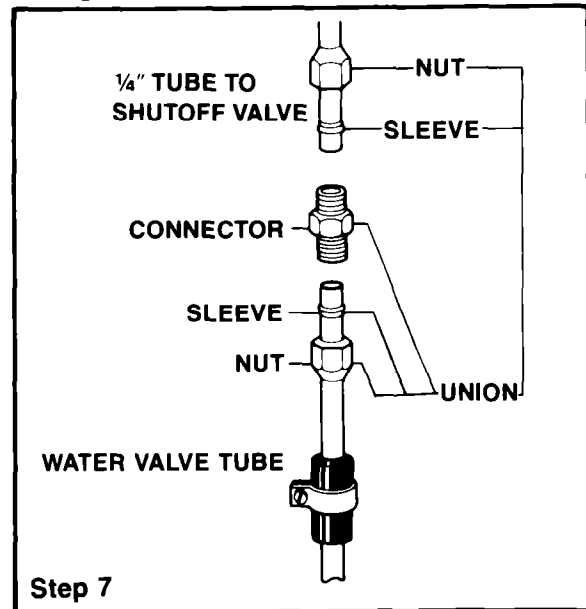
5. Fasten *shutoff valve* to cold water pipe with pipe clamp. Be sure *inlet end* is solidly in the 1/4-inch drilled hole in the water pipe and that *washer* is under the *pipe clamp*. Tighten packing nut. Tighten the *pipe clamp* screws carefully and evenly so *washer* makes a watertight connection. Do not overtighten or you may crush copper tubing, especially if soft copper tubing is used. Now you are ready to connect the copper tubing.



6. Slip *compression nut* and *compression sleeve* on copper tubing as shown in diagram. Insert end of tubing into *outlet end* squarely as far as it will go. Screw *compression nut* to *outlet end* with adjustable wrench. Do not overtighten. Turn ON main water supply and flush out tubing until water is clear. Turn

OFF *shutoff valve* on the water pipe. You are now ready to connect other end of 1/4-inch copper tubing to inlet tube or water valve on back of refrigerator.

7. Assemble *compression nuts* on tubing as shown in diagram. Insert ends of tubing into *connector* and tighten *compression nuts*. Be sure ends of tubing are squarely in connector as far as they will go. Do not overtighten.



8. Turn shutoff valve ON. TIGHTEN ANY CONNECTIONS OR NUTS THAT LEAK.
9. REPLACE LOWER BACK COVER PREVIOUSLY REMOVED IN STEP 12, PAGE 3.
10. Copper tubing may now be fastened to baseboard.
11. The Ice Maker has a built-in water strainer on the inlet side of the water valve. Use a second water strainer when local water conditions require periodic cleaning or a well is your source of water. The strainer can be installed in the 1/4-inch water line.
12. Water pressure should not be below (15 P.S.I.) or above (125 P.S.I.). If problem occurs call your Utility Company.
13. **PLUG IN YOUR REFRIGERATOR.** When you have your first batch of ice you may throw away extra parts.

IMPORTANT:

It may take up to 24 hours for your Ice Maker to begin producing ice crescents.

To enjoy your Ice Maker most PLEASE READ CAREFULLY THE ICE MAKER SECTION OF YOUR USE AND CARE GUIDE.

Free Manuals Download Website

<http://myh66.com>

<http://usermanuals.us>

<http://www.somanuals.com>

<http://www.4manuals.cc>

<http://www.manual-lib.com>

<http://www.404manual.com>

<http://www.luxmanual.com>

<http://aubethermostatmanual.com>

Golf course search by state

<http://golfingnear.com>

Email search by domain

<http://emailbydomain.com>

Auto manuals search

<http://auto.somanuals.com>

TV manuals search

<http://tv.somanuals.com>