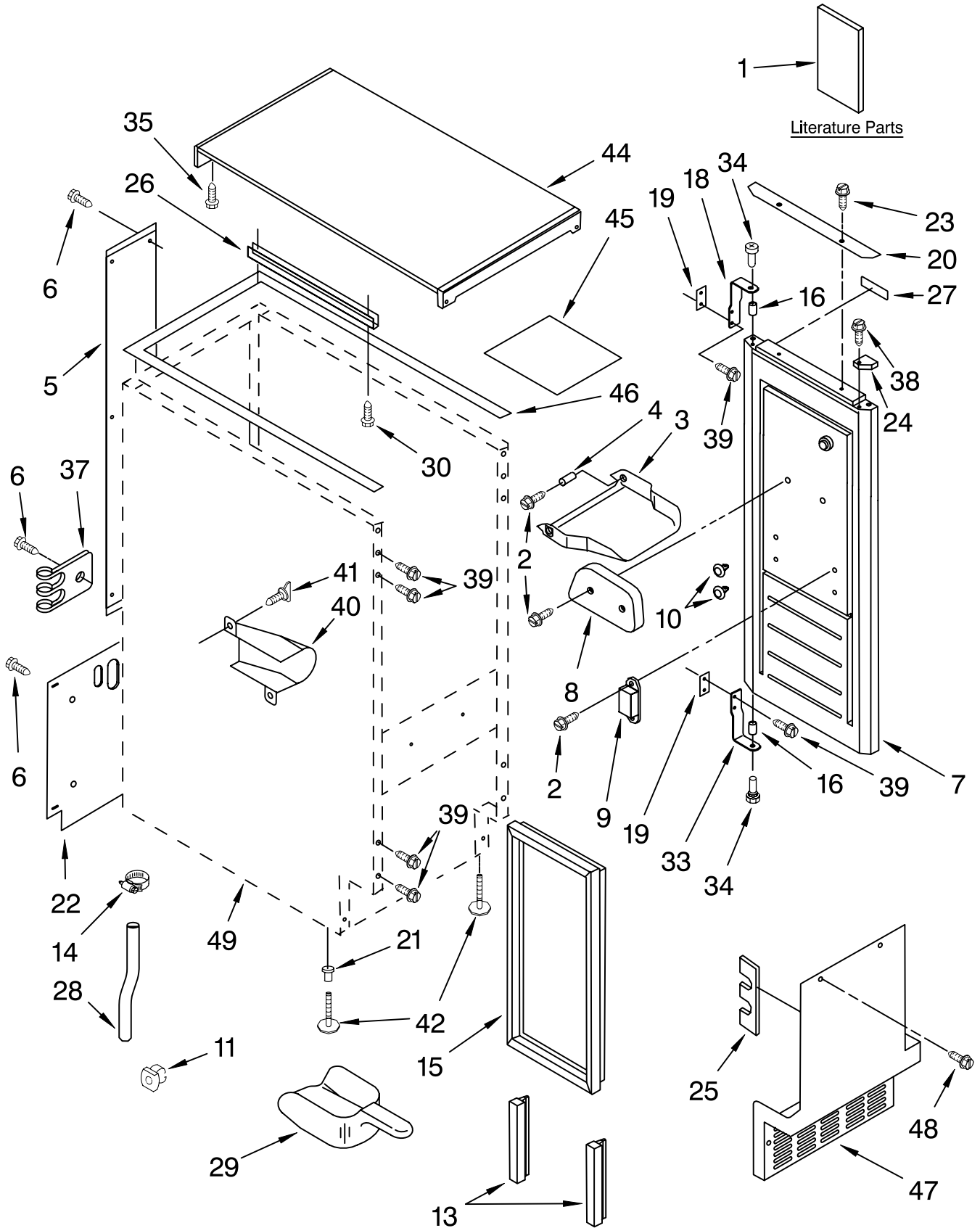




# CABINET LINER AND DOOR PARTS

For Models: G15NDXTQ0, G15NDXTB0, G15NDXTS0  
(White) (Black) (Stainless Steel)

ICE CUBE  
MAKER



FOR ORDERING INFORMATION REFER TO PARTS PRICE LIST

# CABINET LINER AND DOOR PARTS

For Models: GI15NDXTQ0, GI15NDXTB0, GI15NDXTS0  
(White) (Black) (Stainless Steel)

Illus. No.	Part No.	DESCRIPTION	Illus. No.	Part No.	DESCRIPTION	Illus. No.	Part No.	DESCRIPTION
1		Literature Parts	18	2185710	Hinge, Top	28	2185989	Tube, Drain
	2313683	Use & Care Guide	19	2185709	Shim, Hinge	29	585158	Scoop
	8052029	Label, 800-Number	20		Handle, Door	30	3400884	Screw 8-18 x 5/8
	2324311	Service & Wiring Sheet		2208493W	White	33	2185711	Hinge, Bottom
				2208493B	Black	34	2185712	Pin, Hinge
2	3400886	Screw 8-18 x 1 1/4		2208493AP	Apollo Grey	35	489048	Screw, Ground 8-32 x 1/2
3	2185742	Bin, Door	21	3400240	Nut, Leg Leveler	37	2208136	Clip, Water Tube
4	2185678	Spacer	22	2185730	Assembly, Unit Cover	38	348689	Screw 8-18 x 3/4
5	2217394	Cover, Wiring	23		Screw	39	489423	Screw
6	489442	Screw		8281188	White	40	2185927	Holder, Scoop
7		Door		8281186	Black	41	8281228	Thumbscrew
	2932803W	White	24		Filler, Endcap	42	3374849	Leg, Leveler (4)
	2932803B	Black			Left Side	44		Top
	2932803US	Stainless Steel		2185655W	White		2929700W	White
8	2185695	Cam, Door		2185655B	Black		2929700B	Black
9	2217393	Assembly, Magnetic Catch		2185655AP	Apollo Grey	45	2185690	Shield, Electrical
10	2189000	Hole Plug, Handle			Right Side	46	2217293	Gasket, Top Panel
11	692400	Nut, Push-In		2185656W	White	47		Grill, Front
13	2217367	Gasket, Bottom		2185656B	Black		2185571W	White
14	489503	Clamp		2185656AP	Apollo Grey		2185571B	Black
15	2217294	Gasket, Door	25	2185756	Pad, Foam	48	489474	Screw 8-18 x 1
16	2185640	Sleeve, Hinge	26	2185691	Channel, Wiring	49		Cabinet & Liner (NOT SERVICED)
			27	8303810	Badge (Whpl.Gold)			

FOR ORDERING INFORMATION REFER TO PARTS PRICE LIST

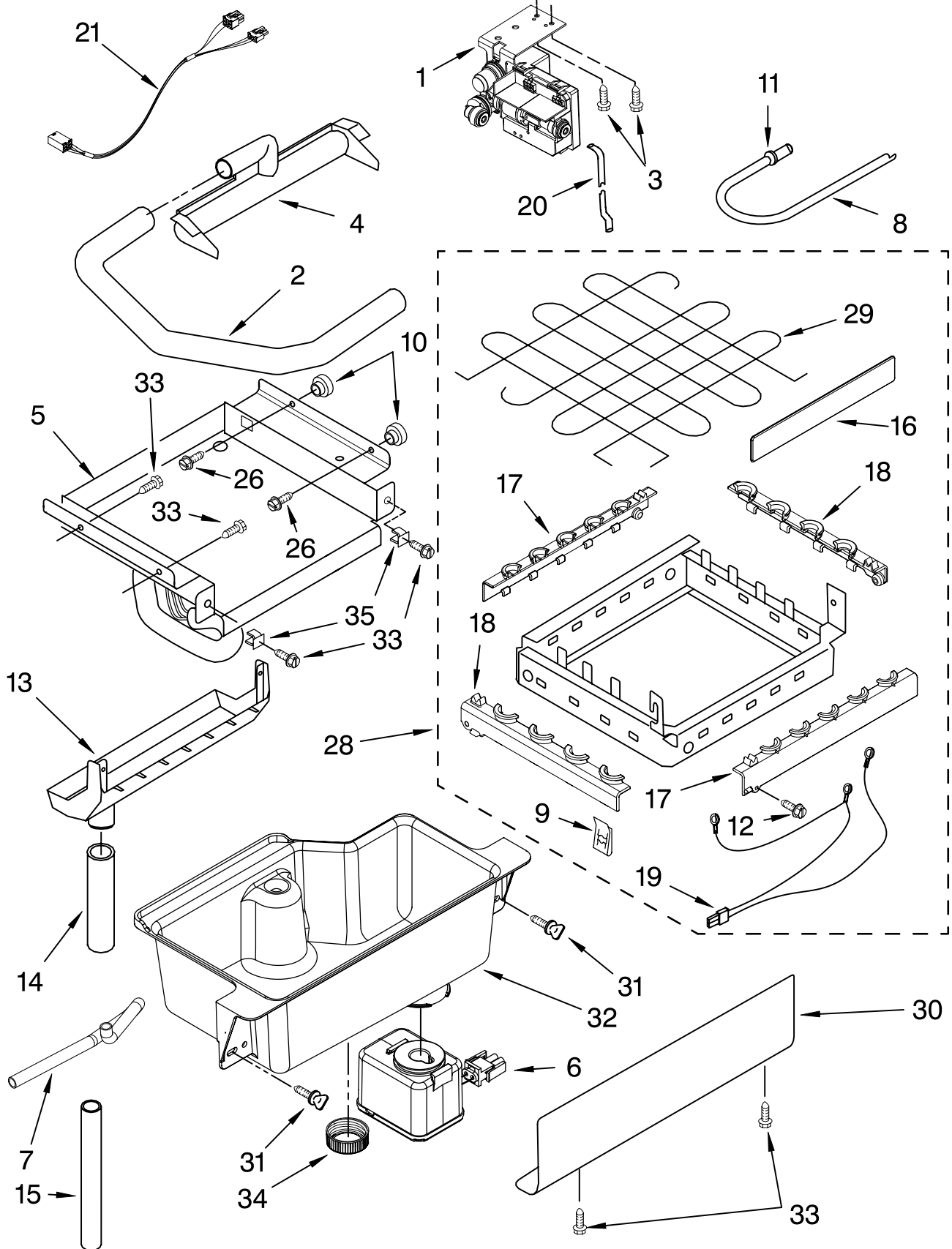
# EVAPORATOR, ICE CUTTER GRID AND WATER PARTS

For Models: GI15NDXTQ0, GI15NDXTB0, GI15NDXTS0

(White)

(Black)

(Stainless Steel)



FOR ORDERING INFORMATION REFER TO PARTS PRICE LIST

# EVAPORATOR, ICE CUTTER GRID AND WATER PARTS

For Models: GI15NDXTQ0, GI15NDXTB0, GI15NDXTS0

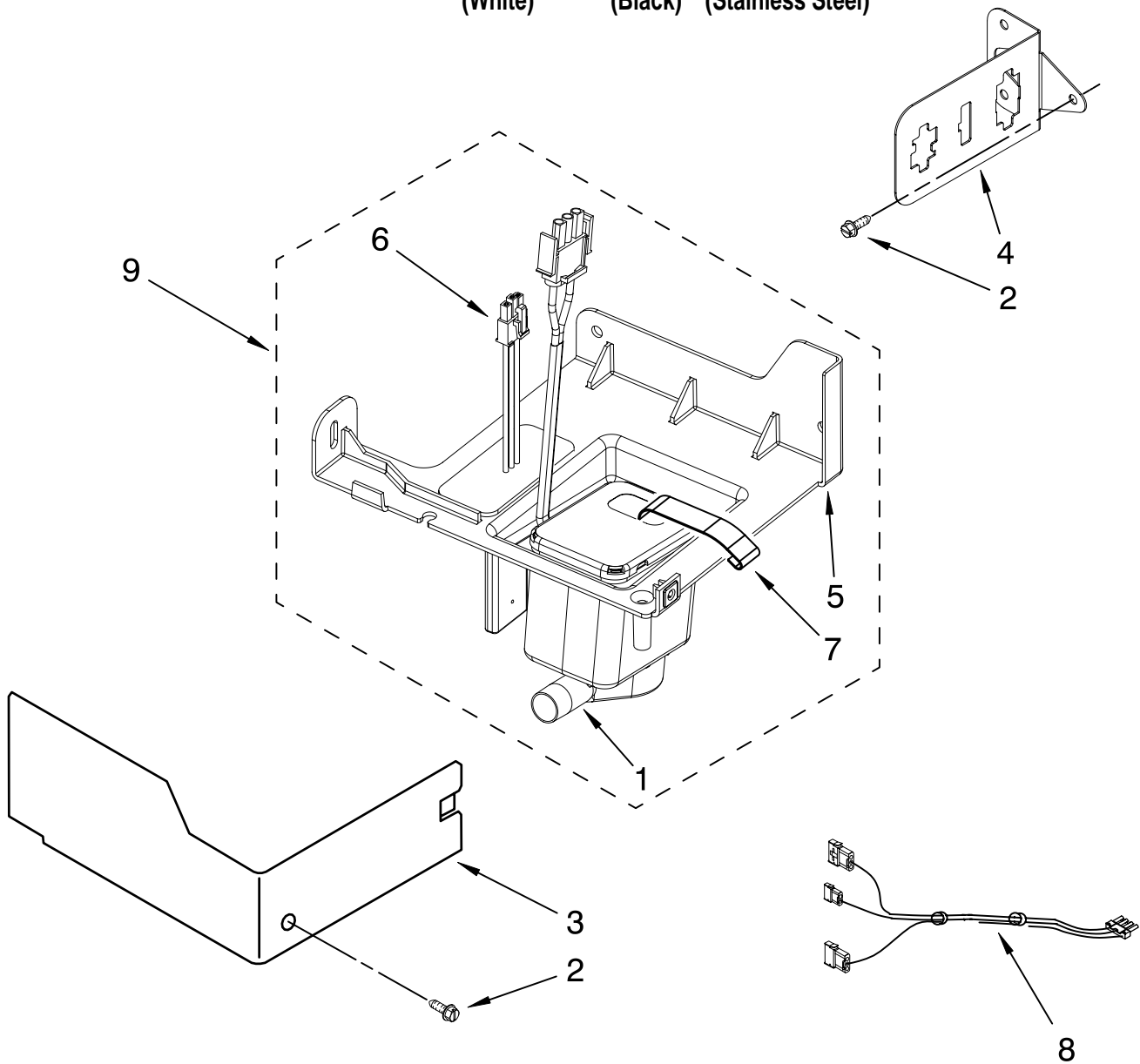
(White) (Black) (Stainless Steel)

<u>Illus.</u> <u>No.</u>	<u>Part</u> <u>No.</u>	<u>DESCRIPTION</u>
1	2313741	Valve, Complete Water
2	2217286	Tube, Plastic
3	488208	Screw
4	2185523	Dispenser, Water
5	2217269	Evaporator
6	2313705	Pump, Drain
7	2313851	Tube, Reservoir Pump
8	2172593	Tube, Water Fill
9	488660	Nut, Speed
10	836667	Spacer
11	2208539	Fastener, Pushnut
12	489443	Screw
13	2185625	Reservoir, Water Slide
14	2185626	Tube
15	2313890	Hose, Overflow
16	2313604	Guide-Ice, Grid
17	2313603	Bracket, Front and Rear
18	2313602	Bracket, Side Left and Right
19	2185681	Harness, Grid
20	2324305	Tube
21	2310169	Wire Assembly Valve
26	3400886	Screw 8-18 x 1 1/4
28	2313637	Grid Assembly (Complete)
29	2174754	Wire, Grid Cutter
30	2185570	Cover, Grid
31	8281228	Thumbscrew
32	2313834	Reservoir, Water
33	3400884	Screw 8-18 x 5/8
34	2185696	Cap, Drain
35	3400909	Nut, Push-In

FOR ORDERING INFORMATION REFER TO PARTS PRICE LIST

# PUMP PARTS

For Models: G15NDXTQ0, G15NDXTB0, G15NDXTS0  
(White) (Black) (Stainless Steel)

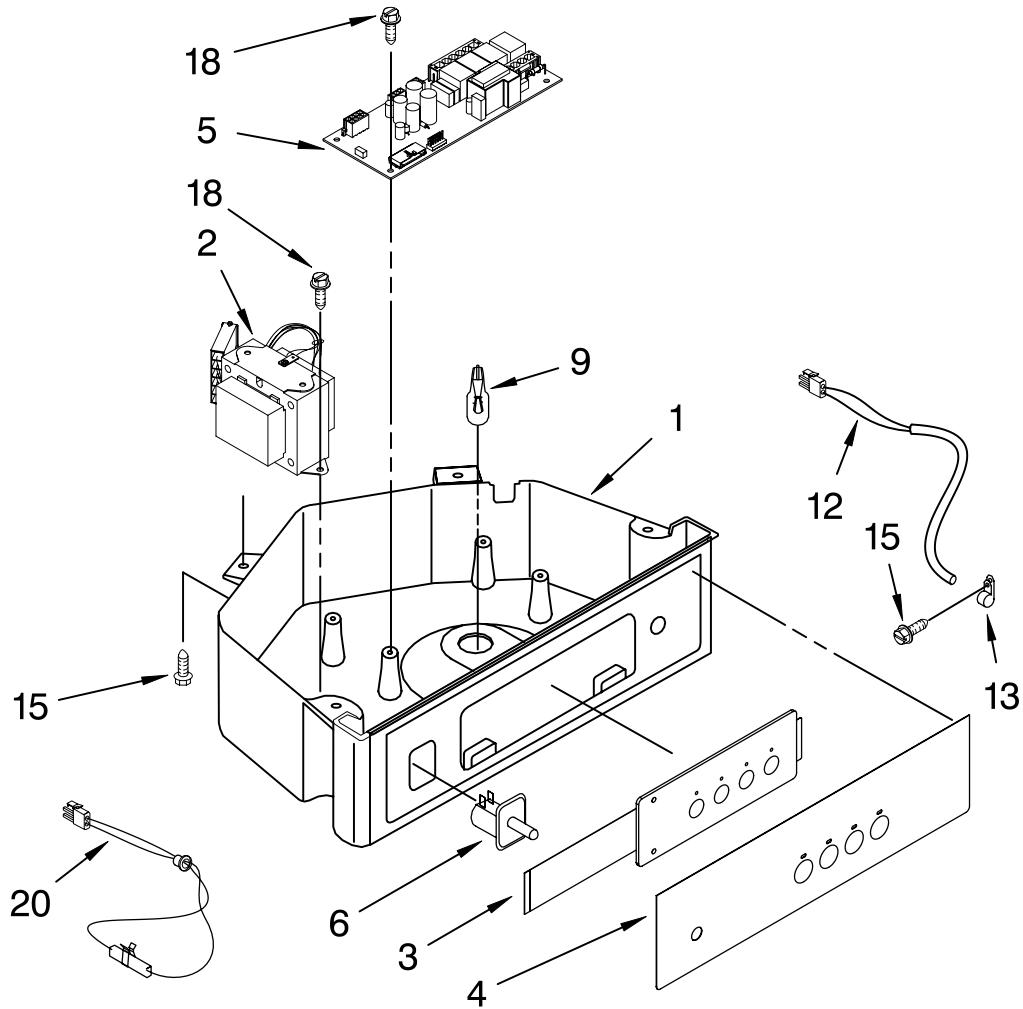


Illus. No.	Part No.	DESCRIPTION
1	2313628	Pump-Recirculating
2	3400884	Screw 8-18 x 5/8
3	2185677	Cover, Pump
4	2313844	Bracket, Connector Assembly
5	2313627	Bracket-Pump
6	2313643	Sensor-Water Level
7	2324307	Clip-Retainer
8	2310092	Wiring Harness Main To Pump
9	2313702	Pump Assembly

FOR ORDERING INFORMATION REFER TO PARTS PRICE LIST

# CONTROL PANEL PARTS

For Models: GI15NDXTQ0, GI15NDXTB0, GI15NDXTS0  
(White) (Black) (Stainless Steel)

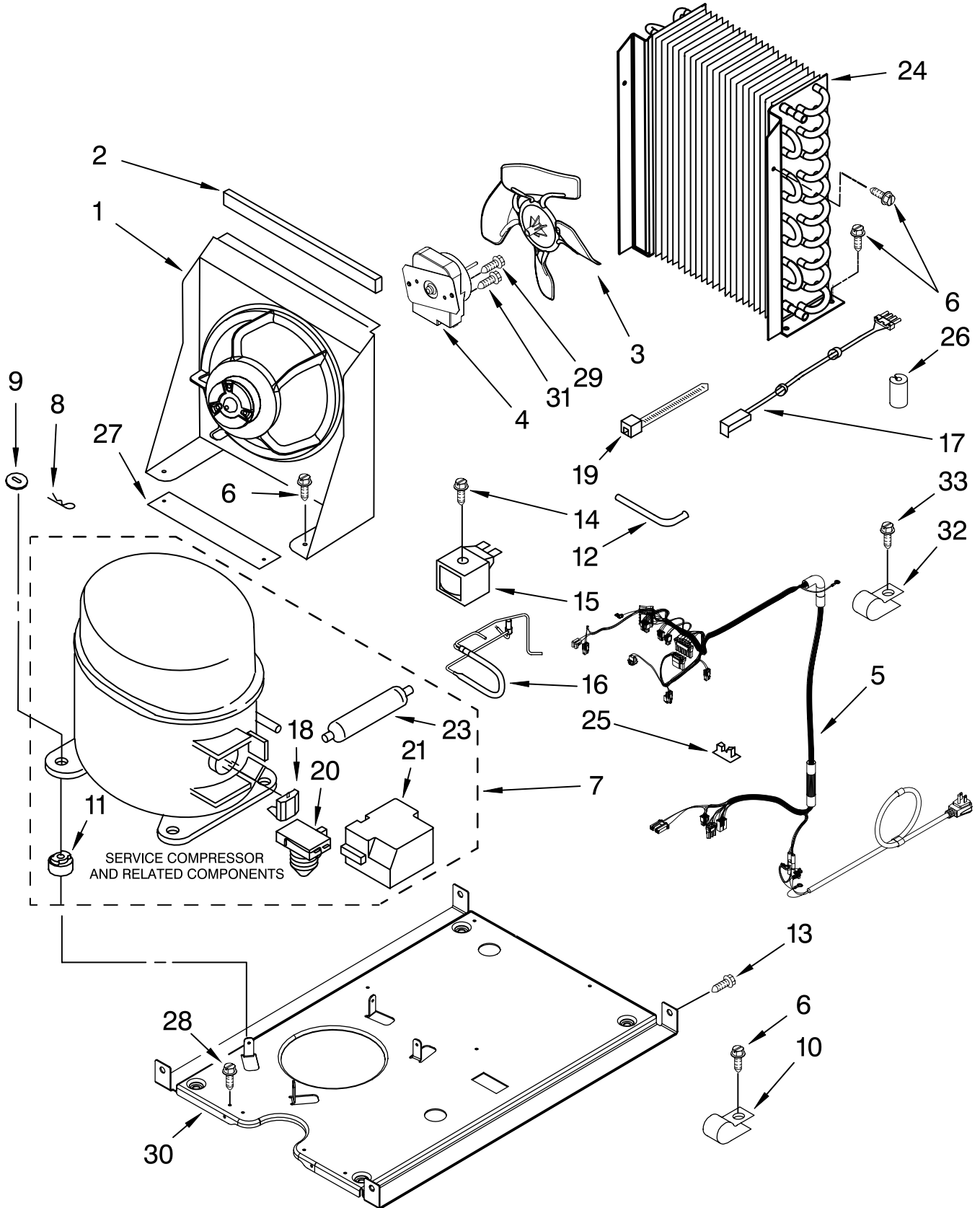


Illus. No.	Part No.	DESCRIPTION
1	2185738	Box, Control
2	2310139	Transformer
3	2304121	Assembly, Switch (Also Order #4)
4	2313692	Overlay
5	2321774	Control Board
6	2149705	Switch, Plunger (Also Order # 4)
9	745362	Bulb
12	2313633	Thermostat, Bin
13	2185825	Clamp
15	3400884	Screw
18	3400850	Screw 8-16 x 3/8
20	2313635	Thermister, Ice Control

FOR ORDERING INFORMATION REFER TO PARTS PRICE LIST

# UNIT PARTS

For Models: G115NDXTQ0, G115NDXTB0, G115NDXTS0  
(White) (Black) (Stainless Steel)



FOR ORDERING INFORMATION REFER TO PARTS PRICE LIST

# UNIT PARTS

For Models: GI15NDXTQ0, GI15NDXTB0, GI15NDXTS0  
(White) (Black) (Stainless Steel)

Illus. No.	Part No.	DESCRIPTION	Illus. No.	Part No.	DESCRIPTION	Illus. No.	Part No.	DESCRIPTION
1	2185532	Bracket, Fan Mtg.	13	489423	Screw	23		Drier
2	2185675	Pad, Foam	14	489472	Screw		2319826	Production
3	2188935	Blade, Fan	15	759112	Coil, Solenoid		4387019	Service
4	2315558	Motor & Mounting Plate Assembly	16	2313806	Hot Gas Valve	24	2313624	Condenser
5	2310125	Wiring Harness, Complete Unit (Includes Power Cord	17	2187629	Wiring Harness, Condenser Fan	25	1115375	Clip-Wiring
6	304392	Screw	18		Overload	26	2319835	Grommet-Cond.(1)
7	2313858	Compressor (Includes Illus. 11,18, 20,21 & 23)		2217223	Production	27	2217397	Pad, Foam (2)
8	A201435	Clip, Mounting		4387938	Service (Includes Relay)	28	488500	Screw
9	A201441	Shim (4)	19	2155774	Strap	29	8281197	Screw
10	2185960	Clamp	20		Relay, Start	30	2217388	Base, Unit
11		Grommet (4)		2217224	Production	31	8281196	Screw
	2217318	Production		4387938	Service (Includes Overload)	32	W10005420	Clamp-Nylon-Cable
	4387558	Service	21		Cover, Terminal	33	3400884	Screw
12	2208415	Tube, Process		2208371	Production	<b>REFRIGERANT CHARGE</b>		
				4387731	Service	6.5 OZ. (R134A)		



FOR ORDERING INFORMATION REFER TO PARTS PRICE LIST



# OPTIONAL PARTS (NOT INCLUDED)

For Models: GI15NDXTQ0, GI15NDXTB0, GI15NDXTS0  
(White) (Black) (Stainless Steel)

<b>Illus. No.</b>	<b>Part No.</b>	<b>DESCRIPTION</b>
<hr/>		
Parts Not Illustrated and Optional Parts (Not Included)		
<hr/>		
	503695	Sealer, Cork (1/4 Pound)
	797403	Cement, Insulation (1 Oz.)
	505587	Sealer, Mastic (1 Qt.)
	212643	Sealer, Gum (22 Pcs. 3/16" x 7")
	479976	Kit, Insulation (5 Pcs. 3" x 24" x 48")
	8537055	Cleaner, Stainless Steel
	978025	Valve, Access (1/4")
	978026	Valve, Access (5/16")
	978027	Valve, Access (3/8")
	978028	Valve, Access (1/2")
	978029	Valve, Access (5/8")
	978030	Valve, Access (3/4")

FOR ORDERING INFORMATION REFER TO PARTS PRICE LIST

## Free Manuals Download Website

<http://myh66.com>

<http://usermanuals.us>

<http://www.somanuals.com>

<http://www.4manuals.cc>

<http://www.manual-lib.com>

<http://www.404manual.com>

<http://www.luxmanual.com>

<http://aubethermostatmanual.com>

Golf course search by state

<http://golfingnear.com>

Email search by domain

<http://emailbydomain.com>

Auto manuals search

<http://auto.somanuals.com>

TV manuals search

<http://tv.somanuals.com>