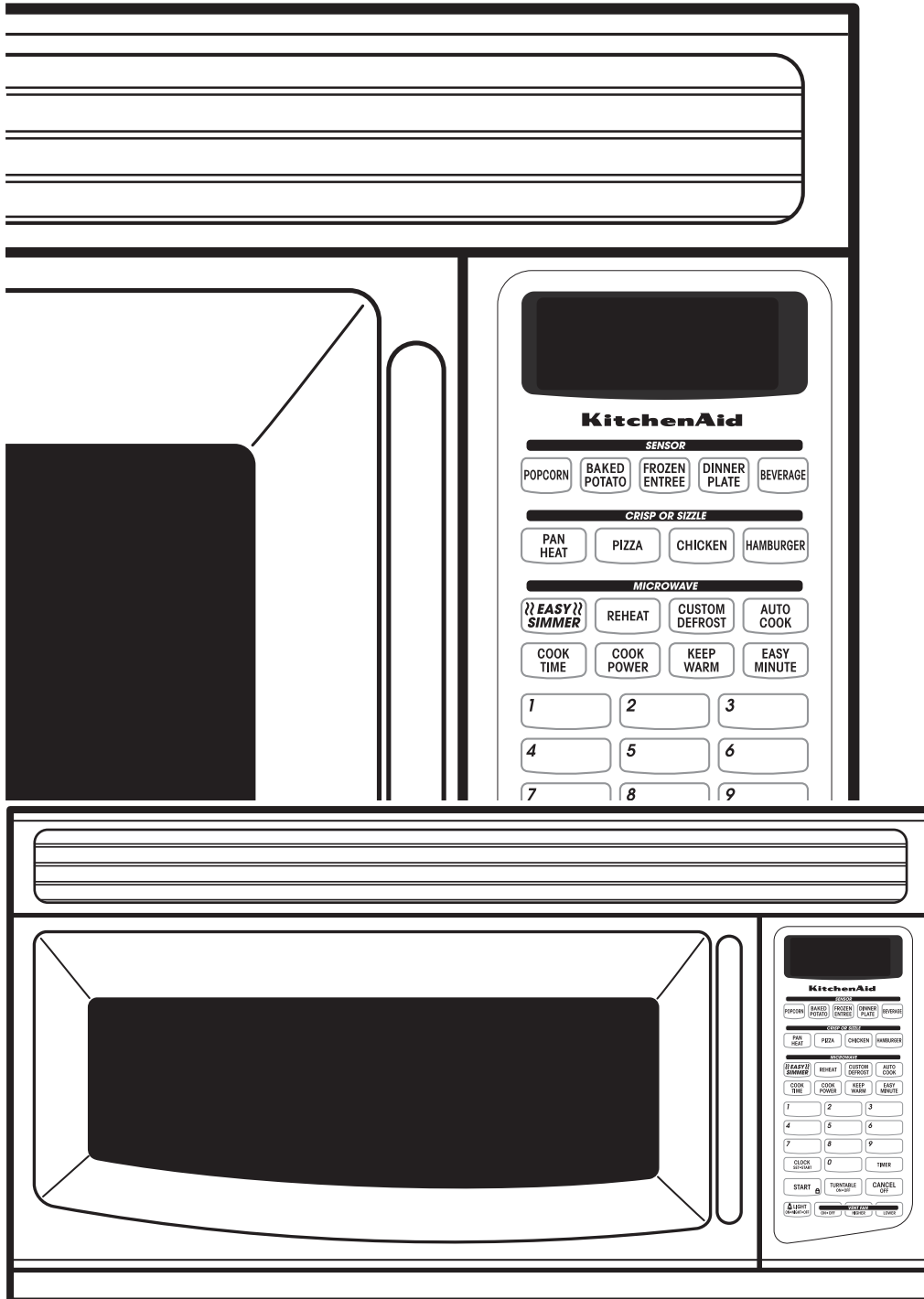


# USE & CARE GUIDE

## KitchenAid® Microwave Hood Combination



A Note to You .....2  
 Microwave Oven Safety.....3  
 Removing and Replacing  
 the Microwave Oven .....6  
 Getting to Know Your  
 Microwave Oven.....7  
     Operating tips .....7  
     Electrical connection.....7  
     Microwave oven features.....8  
     Control panel features .....9  
     Using the child lock.....11  
     Using the demo/  
     learning feature .....11  
     Using the vent fan .....12  
     Using the cooktop/  
     countertop light .....12  
     Setting the clock .....13  
     Using the timer .....14  
**Using Your Microwave Oven ..15**  
     Cooking at high cook power ...15  
     Cooking at different  
     cook powers .....16  
     Cooking in stages .....18  
     Using AUTO COOK .....20  
     Using EASY SIMMER .....21  
     Using REHEAT .....22  
     Using CUSTOM DEFROST ...23  
     Using KEEP WARM.....26  
     Sensor cooking .....27  
     Using CRISP OR SIZZLE.....28  
     Using EASY MINUTE .....29  
     Changing preset cooking times ..29  
     Using aluminum foil .....30  
     Cooking you should not do  
     in your microwave oven .....30  
     Using 2-4 Plates .....30  
     Using the cooking rack .....30  
**Caring for Your  
 Microwave Oven.....31**  
     Installing and caring for filters ..31  
     Replacing the cooktop  
     and oven lights .....32  
**Questions and Answers .....33**  
**Troubleshooting .....34**  
 Requesting Assistance  
 or Service.....36  
 Warranty.....40

# A NOTE TO YOU

## Thank you for buying a KITCHENAID® appliance!

KitchenAid designs the best tools for the most important room in your house. To ensure that you enjoy many years of trouble-free operation, we developed this Use and Care Guide. It contains valuable information concerning how to operate and maintain your new appliance properly. Please read it carefully.

Also, please complete and mail the enclosed Product Registration Card.

### For assistance

Call the Customer Interaction Center toll free ..... **1-800-461-5681**

**For service**..... **1-800-807-6777**

If you need assistance or service, first see the “Troubleshooting” section of this book. After checking “Troubleshooting,” additional help can be found by checking the “Requesting Assistance or Service” section, or by calling the telephone number above.

When calling, you will need to know your appliance’s complete model number and serial number. You can find this information on the model and serial number label/plate (see diagram in the “Getting to Know Your Microwave Oven” section.)

Keep this book and the sales slip together in a safe place for future reference. **You must provide proof of purchase or installation date for in-warranty service.**

<b>Model Number</b> _____	<b>Builder/Dealer Name</b> _____
<b>Serial Number</b> _____	<b>Address</b> _____
<b>Date Installed</b> _____	<b>Phone</b> _____

# MICROWAVE OVEN SAFETY

## Your safety and the safety of others are very important.

We have provided many important safety messages in this manual and on your appliance. Always read and obey all safety messages.



This is the safety alert symbol.

This symbol alerts you to potential hazards that can kill or hurt you and others.

All safety messages will follow the safety alert symbol and either the word "DANGER" or "WARNING." These words mean:

**⚠ DANGER**

**You can be killed or seriously injured if you don't immediately follow instructions.**

**⚠ WARNING**

**You can be killed or seriously injured if you don't follow instructions.**

All safety messages will tell you what the potential hazard is, tell you how to reduce the chance of injury, and tell you what can happen if the instructions are not followed.

## IMPORTANT SAFETY INSTRUCTIONS

When using electrical appliances basic safety precautions should be followed, including the following:

**WARNING:** To reduce the risk of burns, electric shock, fire, injury to persons, or exposure to excessive microwave energy:

- Read all instructions before using the microwave oven.
- Read and follow the specific "PRECAUTIONS TO AVOID POSSIBLE EXPOSURE TO EXCESSIVE MICROWAVE ENERGY" found in this section.
- The microwave oven must be grounded. Connect only to properly grounded outlet. See "GROUNDING INSTRUCTIONS" found in this section and in the provided Installation Instructions.
- Install or locate the microwave oven only in accordance with the provided Installation Instructions.
- Some products such as whole eggs in the shell and sealed containers – for example, closed glass jars – may explode and should not be heated in the microwave oven.
- Use the microwave oven only for its intended use as described in this manual. Do not use corrosive chemicals or vapors in the microwave oven. This type of oven is specifically designed to heat, cook, or dry food. It is not designed for industrial or laboratory use.
- As with any appliance, close supervision is necessary when used by children.
- Do not operate the microwave oven if it has a damaged cord or plug, if it is not working properly, or if it has been damaged or dropped.
- The microwave oven should be serviced only by qualified service personnel. Call an authorized service company for examination, repair, or adjustment.
- See door surface cleaning instructions in the "Caring for Your Microwave Oven" section.
- To reduce the risk of fire in the oven cavity:
  - Do not overcook food. Carefully attend the microwave oven if paper, plastic, or other combustible materials are placed inside the oven to facilitate cooking.
  - Remove wire twist-ties from paper or plastic bags before placing bags in oven.
  - If materials inside the oven should ignite, keep oven door closed, turn oven off, and disconnect the power cord, or shut off power at the fuse or circuit breaker panel.
  - Do not use the cavity for storage purposes. Do not leave paper products, cooking utensils, or food in the cavity when not in use.

**SAVE THESE INSTRUCTIONS**

continued on next page

# MICROWAVE OVEN SAFETY

## IMPORTANT SAFETY INSTRUCTIONS

- Suitable for use above both gas and electric cooking equipment.
- Intended to be used above ranges with maximum width of 36 inches.
- Clean Ventilating Hoods Frequently - Grease should not be allowed to accumulate on hood or filter.
- Oversized foods or oversized metal utensils should not be inserted in the microwave oven as they may create a fire or risk of electric shock.
- Do not clean with metal scouring pads. Pieces can burn off the pad and touch electrical parts involving a risk of electric shock.
- Do not use paper products when appliance is operated in the "PAN BROWN" mode.
- Do not store any materials, other than manufacturer's recommended accessories, in this oven when not in use.
- Do not store anything directly on top of the microwave oven when the microwave oven is in operation.
- When flaming foods under the hood, turn the fan on.
- Use care when cleaning the vent-hood filter. Corrosive cleaning agents, such as lye-based oven cleaners, may damage the filter.
- Do not cover or block any openings on the microwave oven.
- Do not store this microwave oven outdoors. Do not use the microwave oven near water - for example, near a kitchen sink, in a wet basement, or near a swimming pool, and the like.
- Do not immerse cord or plug in water.
- Keep cord away from heated surfaces.
- Do not let cord hang over edge of table or counter.
- Do not mount over a sink.
- Do not cover racks or any other part of the oven with metal foil. This will cause overheating of the oven.

## SAVE THESE INSTRUCTIONS

## PRECAUTIONS TO AVOID POSSIBLE EXPOSURE TO EXCESSIVE MICROWAVE ENERGY

- (a) Do not attempt to operate this oven with the door open since open-door operation can result in harmful exposure to microwave energy. It is important not to defeat or tamper with the safety interlocks.
- (b) Do not place any object between the oven front face and the door or allow soil or cleaner residue to accumulate on sealing surfaces.
- (c) Do not operate the oven if it is damaged. It is particularly important that the oven door close properly and that there is no damage to the:
  - (1) Door (bent),
  - (2) Hinges and latches (broken or loosened),
  - (3) Door seals and sealing surfaces.
- (d) The oven should not be adjusted or repaired by anyone except properly qualified service personnel.

# MICROWAVE OVEN SAFETY

## Electrical requirements

Observe all governing codes and ordinances. A 120-Volt, 60-Hz, AC-only, 15- or 20-amp fused electrical supply is required. (A time-delay fuse is recommended.) It is recommended that a separate circuit serving only this appliance be provided.

### **⚠ WARNING**



#### **Electrical Shock Hazard**

**Plug into a grounded 3 prong outlet.**  
**Do not remove ground prong.**  
**Do not use an adapter.**  
**Do not use an extension cord.**  
**Failure to follow these instructions can result in death, fire, or electrical shock.**

## GROUNDING INSTRUCTIONS

### • **For all cord connected appliances:**

The microwave oven must be grounded. In the event of an electrical short circuit, grounding reduces the risk of electric shock by providing an escape wire for the electric current. The microwave oven is equipped with a cord having a grounding wire with a grounding plug. The plug must be plugged into an outlet that is properly installed and grounded.

**WARNING:** Improper use of the grounding plug can result in a risk of electric shock. Consult a qualified electrician or serviceman if the grounding instructions are not completely understood, or if doubt exists as to whether the microwave oven is properly grounded.

Do not use an extension cord. If the power supply cord is too short, have a qualified electrician or serviceman install an outlet near the microwave oven.

# REMOVING AND REPLACING THE MICROWAVE OVEN

## ⚠ WARNING

### Excessive Weight Hazard

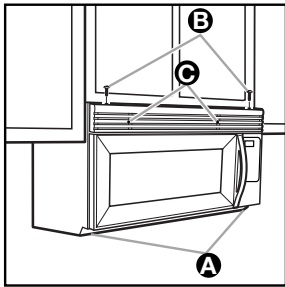
Use two or more people to move and install microwave oven.

Failure to do so can result in back or other injury.

If you need to remove your Microwave Hood Combination for any reason, follow these simple steps:

## To remove:

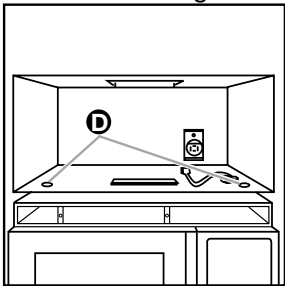
1. Unplug microwave oven or disconnect power.
2. Remove filters and vent grille.



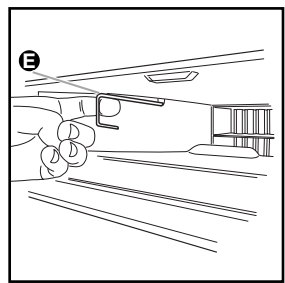
- If filters **A** are installed, push in at the tab and slide filter to the outside edge to remove.
- Remove the two screws **B** from the top of the microwave oven cabinet (the screws located closest to the front corners). Do not remove the screws located towards the center of the cabinet.

- Remove the vent grille **C**. Set the screws and grille aside. (If grille cannot be removed, see step 4.)

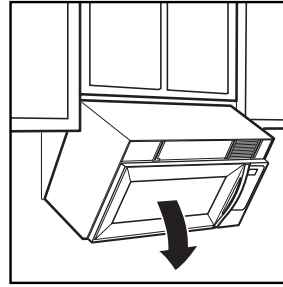
3. After removing all oven contents, including the turntable and support, tape the door in the closed position. Then remove the two bolts **D** securing the microwave oven to the upper cabinet.



4. Hold microwave hood combination in place with one hand. Pull hook **E** to release microwave hood from mounting plate. If grille cannot be removed (per instructions in step 2.), insert a thin looped wire or similar tool through an opening in grille to pull hook.



5. Grasp the microwave oven. Rotate the microwave oven downward. (Be careful that door does not swing open.) Lift off the support tabs **F** at the bottom of the mounting plate. Set the microwave oven aside on a protected surface.



## To replace:

1. Carefully lift microwave oven and hang it on the support tabs at the bottom of the mounting plate.
2. Rotate the front of the microwave oven cabinet downward. Thread the power supply cord through the power supply cord hole in the bottom of the upper cabinet.
3. Rotate the microwave oven towards the cabinet. Push the microwave oven against the mounting plate until locking latch snaps into the cabinet.
4. Replace the two bolts securing the microwave oven to the upper cabinet.
5. Untape the door and replace the turntable and support.
6. Replace the vent grille.
7. Replace the two screws in the top of microwave oven cabinet (the screws located closest to front corners).
8. If filters were installed, replace them (see "Installing and caring for the filters" in the "Caring for Your Microwave Oven" section, if needed).
9. Plug in microwave oven or reconnect power.

# GETTING TO KNOW YOUR MICROWAVE OVEN

This section discusses the concepts behind microwave cooking. It also shows you the basics you need to know to operate your microwave oven. Please read this information before you use your oven.

## Operating tips

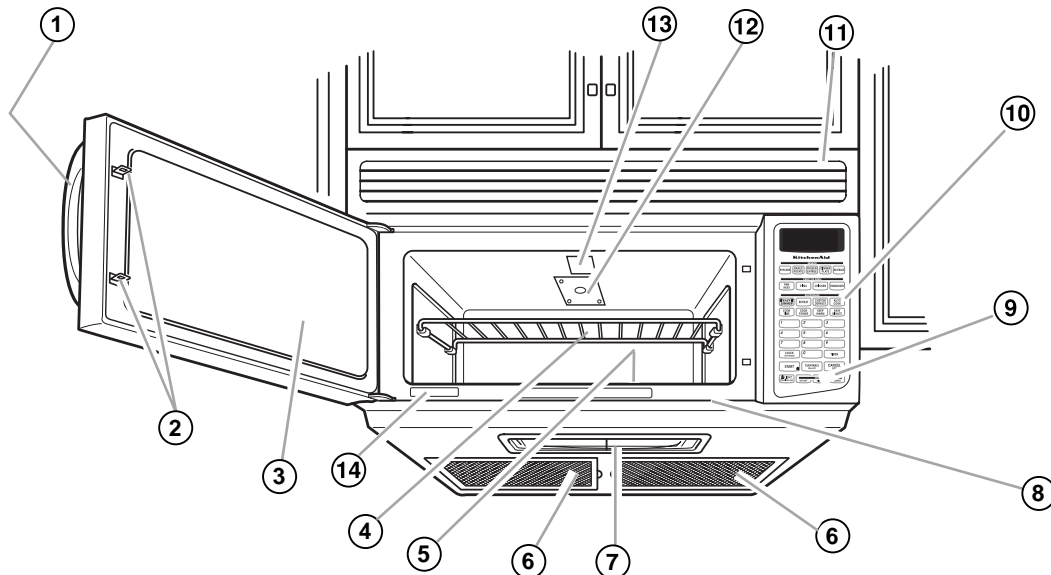
- **Never** lean on the door or allow a child to swing on it when the door is open.
- **Use hot pads.** Microwave energy does not heat containers, but the heat from the food can make the container hot.
- **Do not** use newspaper or other printed paper in the oven.
- **Do not** dry flowers, fruit, herbs, wood, paper, gourds, or clothes in the oven.
- **Do not** start a microwave oven when it is empty. Product life may be shortened. If you practice programming the oven, **put** a container of water in the oven. It is normal for the oven door to look wavy after the oven has been running for a while.
- **Do not** try to melt paraffin wax in the oven. Paraffin wax will not melt in a microwave oven because it allows microwaves to pass through it.
- **Do not** operate the microwave oven unless the glass turntable is securely in place and can rotate freely. The turntable can rotate in either direction. **Make sure** the turntable is correct-side up in the oven. **Handle your turntable with care** when removing it from the oven to avoid possibly breaking it. If your turntable cracks or breaks, contact your dealer for a replacement.
- **When you use a browning dish,** the browning dish bottom must be at least  $\frac{3}{16}$ -inch (5.5 mm) above the turntable. Follow the directions supplied with the browning dish.
- **Never cook or reheat a whole egg inside the shell.** Steam buildup in whole eggs may cause them to burst, and possibly damage the oven. **Slice** hard-boiled eggs before heating. In rare cases, poached eggs have been known to explode. **Cover** poached eggs and **allow** a standing time of one minute before cutting into them.
- **For best results, stir any liquid several times during heating or reheating.** Liquids heated in certain containers (especially containers shaped like cylinders) may become overheated. The liquid may splash out with a loud noise during or after heating when stirring or when adding ingredients (coffee granules, tea bags, etc.). This can damage the oven.
- **Microwaves** may not reach the center of a roast. The heat spreads to the center from the outer, cooked areas just as in regular oven cooking. This is one of the reasons for letting some foods (for example, roasts or baked potatoes) stand for a while after cooking, or for stirring some foods during the cooking time.
- **Do not deep fry in the oven.** Microwavable utensils are not suitable and it is difficult to maintain appropriate deep-frying temperatures.
- **Do not overcook potatoes.** At the end of the recommended cooking time, potatoes should be slightly firm because they will continue cooking during standing time. **After microwaving, let** potatoes stand for 5 minutes. They will finish cooking while standing.

## Electrical connection

**If your electric power line or outlet voltage** is less than 110 volts, cooking times may be longer. Have a qualified electrician check your electrical system.

# GETTING TO KNOW YOUR MICROWAVE OVEN

## Microwave oven features

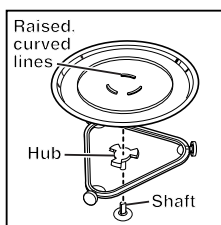


Your microwave oven is designed to make your cooking experience as enjoyable and productive as possible. To help get you up and running quickly, the following is a list of the oven's basic features:

- 1. Door Handle.** Pull to open door.
- 2. Door Safety Lock System.** The oven will not operate unless the door is securely closed.
- 3. Window with Metal Shield.** Shield prevents microwaves from escaping. It is designed as a screen to allow you to view food as it cooks.
- 4. Cooking Rack.** Use for extra space when cooking in more than one container at the same time. (See Page 30.)
- 5. Glass Turntable** (Part No. 4393751) (not shown). Included in oven cavity – see below for installation instructions. This turntable rotates food as it cooks for more even cooking. It must be in the oven during operation for best cooking results. The turntable is sunken into the cavity floor to give you more cooking space and better cooking results.
- 6. Charcoal and Grease Filters.** Packed in oven cavity during shipment. (See Page 31.)
- 7. Cooktop/Countertop Light.** Turn on to light your cooktop or countertop or turn on as a night light. (See Page 12.)
- 8. Cooking Guide Label.** Use as a quick reference for various oven functions.
- 9. Exhaust Fan and Cooktop Light Pads.** (See Page 12.)
- 10. Control Panel.** Touch the pads on this panel to perform all functions.
- 11. Vent Grille.**
- 12. Microwave Inlet Cover.** Do not remove or disturb.
- 13. Oven Cavity Light.**
- 14. Model and Serial Number Plate.**

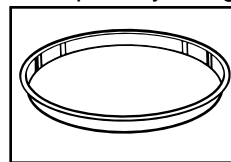
### To install turntable and support:

- Remove tape holding the hub (Part No. 4393754) in place.
- Place the support (Part No. 4393752) on the cavity in bottom.
- Place the turntable on the hub. Make sure the raised, curved lines in the center of the turntable bottom are between the three "spokes" of the hub.
  - The rollers (Part No. 4393753) on the support should fit inside the ridge on the bottom of the turntable.
- The turntable turns both clockwise and counter-clockwise. This is normal.



### Crisper pan:

This specially designed microwave pan (Part No. 4393536) lets you cook crispy pizza, sizzle chicken, fry breakfast foods like eggs and sausage, or prepare juicy hamburgers.

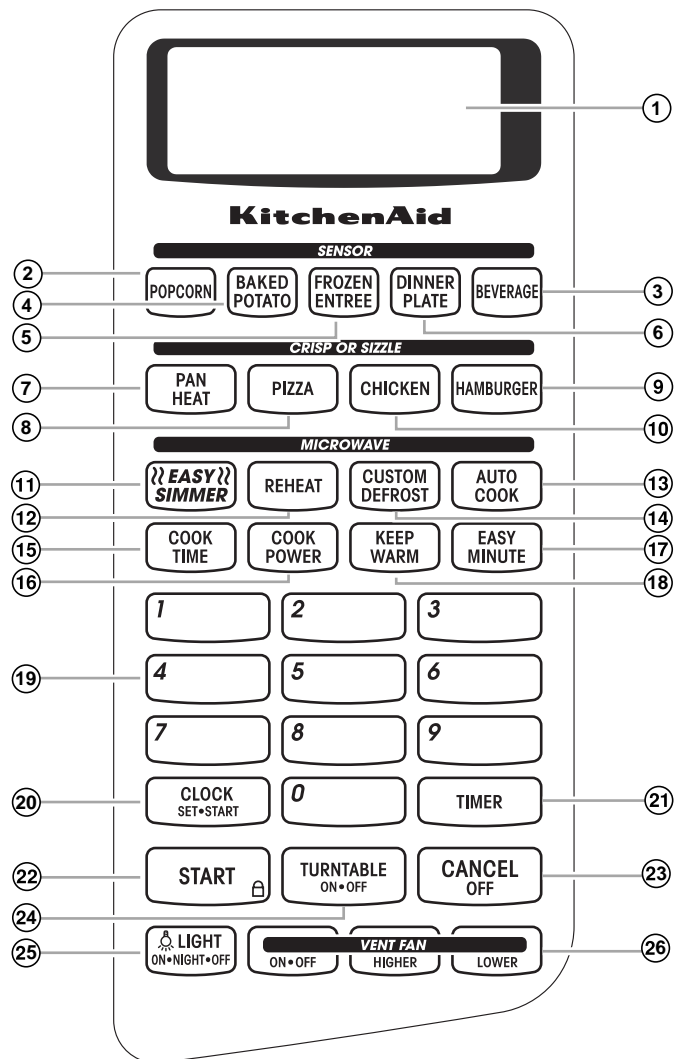




# GETTING TO KNOW YOUR MICROWAVE OVEN

## Control panel features

- 1. Display.** This display includes a clock and indicators to tell you the time of day, cooking time settings, and cooking functions you chose.
- 2. POPCORN.** Touch this pad to pop one of 3 bag sizes of popcorn, without entering a cook power or time. The oven's sensor will tell the oven how long to cook depending on the amount of humidity it detects from the popcorn. (See Page 27.)
- 3. BEVERAGE.** Touch this pad to heat 1 or 2 cups (250 - 500 mL) of a beverage, without entering a cook power or time. The oven's sensor will tell the oven how long to heat depending on the amount of humidity it detects from the beverage. (See Page 27.)
- 4. BAKED POTATO.** Touch this pad to bake 1 to 4 potatoes, without entering a cook power or time. The oven's sensor will tell the oven how long to cook depending on the amount of humidity it detects from the potato(es). (See Page 27.)
- 5. FROZEN ENTREE.** Touch this pad to cook a 10- or 20-oz (284-567 g) frozen entree, without entering a cook power or time. The oven's sensor will tell the oven how long to cook depending on the amount of humidity it detects from the frozen entree. (See Page 27.)
- 6. DINNER PLATE.** Touch this pad to heat a dinner plate of food, without entering a cook power or time. The oven's sensor will tell the oven how long to heat depending on the amount of humidity it detects from the food. (See Page 27.)
- 7. PAN HEAT.** Touch this pad to preheat a pan, without entering a cook power or time. (See Page 28.)
- 8. PIZZA.** Touch this pad to heat one of three sizes of pizza, without entering a cook time. Touch COOK POWER to adjust doneness. (See Page 28.)
- 9. HAMBURGER.** Touch this pad to cook 1 to 4 hamburgers, without entering a cook time. Touch COOK POWER to adjust doneness. (See Page 28.)
- 10. CHICKEN.** Touch this pad to bake 1 to 4 pieces of chicken, without entering a cook time. Touch COOK POWER to adjust doneness. (See Page 28.)
- 11. EASY SIMMER.** Touch this pad to simmer soups, casseroles, stews, and other liquid foods. (See Page 21.)
- 12. REHEAT.** Touch this pad to reheat microwavable foods without entering times and cook powers. (See Page 22.)
- 13. AUTO COOK.** Touch this pad to cook microwavable foods without entering times and cook powers. (See Page 20.)



- 14. CUSTOM DEFROST.** Touch this pad to defrost frozen foods, without entering times and cook powers. (See Page 23.)
- 15. COOK TIME.** Touch this pad followed by Number pads to set a cooking time. (See Pages 15, 16, 17, and 18.)
- 16. COOK POWER.** Touch this pad after the cooking time has been set, followed by a Number pad to set the amount of microwave energy released to cook the food. Also touch this pad to lengthen or shorten a preset cooking time. (See Pages 16, 17, and 18.)
- 17. EASY MINUTE.** Touch this pad to cook food for 1 minute at 100% cook power or to extend cooking time by 1 minute. (See Page 29.)
- 18. KEEP WARM.** Touch this pad to keep hot, cooked foods warm in your microwave oven. You can use KEEP WARM by itself, or to automatically follow a cooking cycle. (See Page 26.)

# GETTING TO KNOW YOUR MICROWAVE OVEN

## Control panel features (cont.)

19. **Number pads.** Touch Number pads to enter cooking times, cook powers, quantities, weights, or food categories.
20. **CLOCK SET/START.** Touch this pad to enter the correct time of day.
21. **TIMER.** Touch this pad to set or cancel the Kitchen Timer.
22. **START.** Touch this pad to start a function.
23. **CANCEL/OFF.** Touch this pad to erase an incorrect command, cancel a program during cooking, or to clear the display.
24. **TURNTABLE ON/OFF.** Touch this pad to turn your turntable on and off. (See Page 11.)
25. **LIGHT ON/NIGHT/OFF.** Touch this pad to turn the light or night light on or off. (See Page 12.)
26. **VENT FAN ON/OFF higher or lower.** Touch this pad to turn the fan on or off. (See Page 12.)

### NOTES:

- If you have entered all settings for a function but do not touch START/ENTER in 5 seconds, the START? indicator light will show.
- For nonsensor functions, if you open the door while the oven is on and then shut the door within 15 minutes, the START? indicator light will show. Touch START to continue. If you open the door when sensor cooking, cooking is cancelled and you have to start over.
- If you choose a function but do not touch another command pad within 1 minute, the display returns to the time of day and you have to start over.

### Interrupting cooking

You can stop the oven during a cycle by opening the door. The oven stops heating and the fan stops, but the light stays on. To restart cooking, close the door and

#### TOUCH



#### If you do not want to continue cooking:

- Close the door and the light goes off.

OR

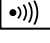
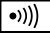
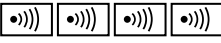
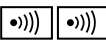
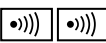
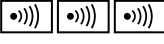
#### TOUCH



**NOTE:** Before setting a function, touch CANCEL/OFF to make sure no other function is on.

### Audible signals

Your microwave oven comes with audible signals that can guide you when setting and using your oven:

-  A programming tone will sound each time you touch a pad.
-  One long tone signals the end of a Timer countdown.
-  Four tones signal the end of a cooking cycle.
-  Two quick, short tones sound once every minute for the first 15 minutes after an end-of-cooking signal as a reminder if the food has not been removed from the oven.
-  Two quick, short tones will sound while entering and exiting from a hidden feature (for example, Child Lock) or time of day.
-  Three tones sound if you have made an incorrect entry.

#### To disable the programming tone:

#### TOUCH



and hold for 5 seconds

#### To turn the programming tone back on:

#### TOUCH



and hold for 5 seconds

#### To disable all audible signals except the end-of-timer and hidden feature signals:

#### TOUCH



and hold for 5 seconds

#### To turn signals back on:

#### TOUCH



and hold for 5 seconds

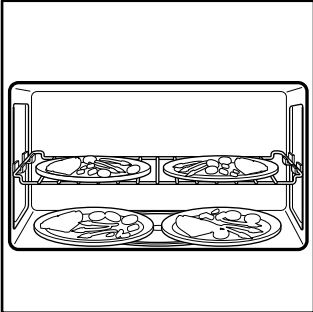
**NOTE:** Two tones will sound when audible signals are turned on or off.

# GETTING TO KNOW YOUR MICROWAVE OVEN

## Control panel features (cont.)

### Heating more than one plate of food

When heating plates of food with a cook time that you set, you can heat two 10¼-in. (26.7 cm) plates side by side or one dish larger than the turntable. You can heat 2 more plates on the Cooking Rack for a possible total of 4 plates. For best results, halfway through cooking turn the plates halfway around until the food in the front is in the back. Do the same when heating a larger (9- to 13-in. [23 - 33 cm]) casserole. When heating 4 dinner plates turn as described above and switch the top plates with the bottom plates.



To heat 2 bottom plates together or one larger dish, the turntable should not be turning.

**TURNTABLE**  
ON • OFF

You can shut the turntable off by touching TURNTABLE ON/OFF.

“TURNTABLE OFF” appears on the display. If you touch TURNTABLE ON/OFF before starting to set the cooking function, your oven will prompt you to enter a cooking time without you needing to touch COOK TIME. Your turntable will be turned back on when cooking is over or when you touch CANCEL/OFF.

**NOTE:** You cannot turn off the turntable when using an “auto” function.

## Using the child lock


The Child Lock locks the control panel so children cannot use the microwave oven when you do not want them to.

**To lock the control panel:**

**TOUCH**



**and hold for 5 seconds**


Two tones will sound and  will appear on the display. When the control panel is locked, 3 tones will sound and LOCK will appear when you touch any pad except for EXHAUST FAN and LIGHT, Number pads 1 and 2, and START.

**To unlock the control panel:**

**TOUCH**



**and hold for 5 seconds**

Two tones will sound and  will be cleared from the display.

## Using the demo/learning feature

You can set your microwave oven to display your commands as you enter them without turning the magnetron on. This feature helps you learn to use your oven without actually cooking food.

**To set the demo/learning feature:**

**TOUCH**



**and hold for 5 seconds**

Two tones will sound and a small “d” will appear on the display.

**To cancel the demo/learning feature:**

**TOUCH**



**and hold for 5 seconds**

Two tones will sound and the small “d” will disappear from the display.

# GETTING TO KNOW YOUR MICROWAVE OVEN

## Using the vent fan

The pads on the bottom right of the control panel control the 5-speed exhaust fan.

### NOTES:

- Two seconds after the last time you touch VENT FAN, the display returns to the previous display.
- The first time you turn on the fan after connecting the microwave oven to power, the fan will start at speed 1. The next time the fan is turned on, it will start at the last speed used.

### 1. Turn on the fan and choose fan speed.

Touch the "HIGHER" pad to increase fan speed. Touch the "LOWER" pad to decrease fan speed. The display will show "FAN" and a number from 1 to 5 to indicate fan speed.

**NOTE:** If the temperature from the range or cooktop below the oven gets too hot, the exhaust fan in the vent hood will automatically turn on at the HIGH setting to protect the oven. **It may stay on up to an hour to cool the oven. When this occurs, the VENT FAN pad will not turn the fan off.**

### TOUCH



### 2. Turn off fan when desired.

### TOUCH



## Using the cooktop/countertop light

The pad on the bottom left of the control panel controls the cooktop/countertop light.

### 1. Turn on light.

### TOUCH



(once for regular light, twice for night light)

### 2. Turn off light when desired.

### TOUCH



(1 or 2 more times, depending on light setting)

# GETTING TO KNOW YOUR MICROWAVE OVEN

## Setting the clock

When your microwave oven is first plugged in, or after a power failure, the display will flash “:”. If a time of day is not set, “:” will flash until you touch any pad.

### NOTES:

- If you touch in an invalid time and touch CLOCK, 3 tones will sound. Enter the correct time.
- If you touch CANCEL/OFF while setting the clock, the display will show the last time of day set.
- To turn off the clock, touch CLOCK SET/START, Number pad 0, and CLOCK SET/START again, the set time will disappear and “:” will show on the display.

1. Touch CLOCK SET/START.

### TOUCH

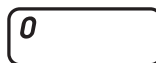


### YOU SEE



2. Enter the time of day.  
Example for 12:00:

### TOUCH



### YOU SEE



3. Touch START pad or CLOCK SET/START pad.

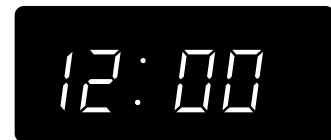
### TOUCH



OR



### YOU SEE



# GETTING TO KNOW YOUR MICROWAVE OVEN

## Using the timer

You can use your microwave oven as a kitchen timer. Use the Timer for timing up to 99 minutes, 99 seconds.

**NOTE:** The oven can operate while the Timer is in use. To see the Timer while the oven is cooking, touch **TIMER**.

1. Touch **TIMER**.

**TOUCH**



**YOU SEE**



2. Enter the time to be counted down.

Example for 1 minute, 30 seconds:

**NOTE:** If you enter more than 4 digits, the first 4 digits will disappear and the following digit(s) will appear on the right side as you enter them.

**TOUCH**



**YOU SEE**



3. Start the countdown.

**NOTE:** If you do not do this step within 5 seconds of doing Step 2, "START?" will appear. You then have 1 minute to touch **TIMER** or **START** before the display returns to the time of day.

**TOUCH**



**OR**



**YOU SEE**



At the end of the countdown:

**YOU SEE**



(one long tone will sound)

**To cancel the timer:**

During the countdown:

**TOUCH**



**OR**



**YOU SEE**



(time of day)

# USING YOUR MICROWAVE OVEN

This section gives you instructions for operating each function. Please read these instructions carefully.

## Cooking at high cook power

1. Put your food in the oven and close the door.

2. Touch COOK TIME.

TOUCH



YOU SEE



3. Enter the cooking time.

Example for 1 minute, 30 seconds:

TOUCH



YOU SEE



4. Start the oven.

TOUCH



YOU SEE



At the end of the cooking time:

YOU SEE



(four tones will sound)

### Changing instructions

You can change the cooking time any time during cooking by repeating Steps 2, 3, and 4.

# USING YOUR MICROWAVE OVEN

## Cooking at different cook powers

For best results, some recipes call for different cook powers. The lower the cook power, the slower the cooking. Each Number pad also stands for a different percentage of cook power. Many microwave cookbook recipes tell you by number, percent, or name which cook power to use.

The following chart gives the percentage of cook power each Number pad stands for, and the cook power name usually used. It also tells you when to use each cook power. Follow recipe or food package instructions if available.

**NOTE:** Refer to a reliable cookbook for cooking times.

COOK POWER	NAME	WHEN TO USE IT
10=100% of full power (automatic)	High	<ul style="list-style-type: none"> <li>Quick heating many convenience foods and foods with high water content, such as soups, beverages, and vegetables</li> </ul>
9=90% of full power		<ul style="list-style-type: none"> <li>Cooking small tender pieces of meat, ground meat, poultry pieces, and fish fillets</li> <li>Heating cream soups</li> </ul>
8=80% of full power		<ul style="list-style-type: none"> <li>Heating rice, pasta, or casseroles</li> <li>Cooking and heating foods that need a cook power lower than high (for example, whole fish and meat loaf)</li> </ul>
7=70% of full power	Medium-High	<ul style="list-style-type: none"> <li>Reheating a single serving of food</li> </ul>
6=60% of full power		<ul style="list-style-type: none"> <li>Cooking sensitive foods, such as cheese and egg dishes, pudding, and custards</li> <li>Cooking non-stirtable casseroles, such as lasagna</li> </ul>
5=50% of full power	Medium	<ul style="list-style-type: none"> <li>Cooking ham, whole poultry, and pot roasts</li> <li>Simmering stews</li> </ul>
4=40% of full power		<ul style="list-style-type: none"> <li>Melting chocolate</li> <li>Heating bread, rolls and pastries</li> </ul>
3=30% of full power	Medium-Low, Defrost	<ul style="list-style-type: none"> <li>Defrosting foods, such as bread, fish, meats, poultry, and precooked foods</li> </ul>
2=20% of full power		<ul style="list-style-type: none"> <li>Softening butter, cheese, and ice cream</li> </ul>
1=10% of full power	Low	<ul style="list-style-type: none"> <li>Keeping food warm</li> <li>Taking chill out of fruit</li> </ul>

**NOTE:** Once cook time has been entered you can also use the COOK POWER pad as a second Timer by entering "0" for the cook power. The oven will count down the cooking time you set without cooking.

1. Put your food in the oven and close the door.

2. Touch COOK TIME.

**TOUCH**



**YOU SEE**





# USING YOUR MICROWAVE OVEN

## Cooking at different cook powers (cont.)

3. Enter the cooking time.

Example for 7 minutes, 30 seconds:

TOUCH

7

3

0

YOU SEE

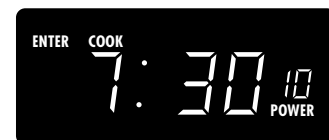


4. Set the cook power.

TOUCH

COOK  
POWER

YOU SEE



Example for 50% cook power:

TOUCH

5

OR

COOK  
POWER

(repeat until desired  
cook power appears)

YOU SEE

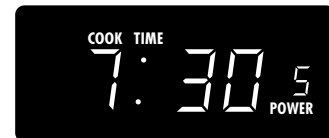


5. Start the oven.

TOUCH

START 

YOU SEE



At the end of the cooking time:

YOU SEE



(four tones will sound)

### Changing instructions

You can change the cooking time or cook power any time during cooking by repeating Steps 2, 3 and/or 4 and 5.

# USING YOUR MICROWAVE OVEN

## Cooking in stages

For best results, some recipes call for one cook power for a certain length of time, and another cook power for another length of time. Your oven can be set to change from one to another automatically, for up to 3 stages.

You can set your chosen cook functions in any order. However, if you use CUSTOM DEFROST it must be the first stage.

**NOTE:** You cannot sensor cook with stages.

1. Put your food in the oven and close the door.

2. Touch COOK TIME.

TOUCH



YOU SEE

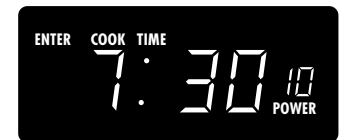


3. Enter the cooking time for the first stage.  
Example for 7 minutes, 30 seconds:

TOUCH



YOU SEE

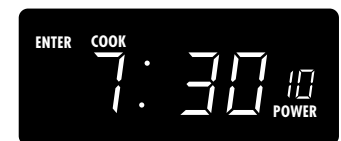


4. Set the cook power for the first stage.

TOUCH



YOU SEE



Example for 50% cook power:

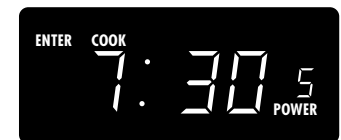
TOUCH



OR



YOU SEE



(repeat until desired cook power appears)

5. Repeat Steps 2, 3, and 4 to set the cooking time and cook power for each additional stage.

# USING YOUR MICROWAVE OVEN

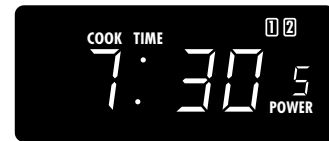
## Cooking in stages (cont.)

6. Start the oven.

TOUCH



YOU SEE

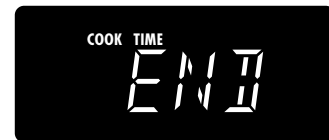


(first stage, when cooking with 2 stages)

After the first stage is over, the next stage(s) will count down.

At the end of the cooking time:

YOU SEE



(four tones will sound)

### Changing instructions

You can change cooking times or cook powers for a stage any time after that stage starts by repeating Steps 2, 3 and/or 4 and 5.

# USING YOUR MICROWAVE OVEN

## Using AUTO COOK

You can cook microwavable foods just by choosing a category and quantity. AUTO COOK has preset times and cook powers for 5 categories (see chart below).

To use AUTO COOK, follow the steps below:

1. Touch



once

You see



2. Touch AUTO COOK 1 to 5 times to choose the type of food.



twice

OR

Touch a Number pad to choose the type of food.



Example  
for canned  
vegetables

You see



Example  
for canned  
vegetables



3. Touch one or more Number pads to enter the quantity. **This step is not needed for the Rice setting.**



Example  
for 1 cup (250 mL)

You see



Example  
for 1 cup (250 mL)

4. Touch



You see



(countdown time  
may vary)

### NOTES:

- If you do not enter a quantity within 2 seconds, AUTO COOK will prompt you to choose a quantity. You then have 1 minute to enter a quantity and to touch START. If you do not do so, AUTO COOK will be canceled.
- If you touch AUTO COOK 6 times, the display returns to the Rice setting.
- If you need more or less cooking time, do not touch AUTO COOK again. Touch COOK POWER before you touch START. (See “Changing preset cooking times” in the “Using Your Microwave Oven” section.)
- When cooking bacon, keep in mind that differences in the amount of fat, meat, thickness, and curing process will affect how bacon is cooked. Also, regular sliced bacon averages about 16 slices per pound.

This chart shows you how to choose a type of food and the amounts you can choose for each type.

FOOD	TOUCH AUTO COOK*	OR	TOUCH NUMBER PAD	AMOUNTS YOU CAN CHOOSE
Rice (sensor)	once		1	0.5 to 2 cups (125 mL - 500 mL)**
Bacon	twice		2	1 to 6 pieces, average thickness
Cereal (instant)	3 times		3	1 to 4 servings
French Toast (frozen)	4 times		4	1 to 4 pieces
Canned Vegetables	5 times		5	1 to 4 cups (250 mL - 1L)
Fresh Vegetables	6 times		6	1 to 4 cups (250 mL - 1L)**
Frozen Vegetables	7 times		7	1 to 4 cups (250 mL - 1L)**

\* You must touch AUTO COOK once before choosing the food type.

\*\* Because this food is cooked by the sensor, you don't need to enter a quantity. The amount shown here is the amount you can cook. After you choose the food type and touch START, “SENSE” appears on the display. Also, the sensor needs 2 minutes, 30 seconds to warm up after the oven is connected to power or after a power failure. If you start sensor cooking during the warm-up, “SENSE” shows on the display until the warm-up is over. Microwave energy will not be turned on until the sensor is warm.

# USING YOUR MICROWAVE OVEN

## Using EASY SIMMER

Your microwave oven lets you simmer soups, casseroles, stews, and other liquid foods. All you do is set a simmer time and your oven will bring your food to a boil and then simmer it for the time you specify.

### NOTES:

- You cannot change the cook power or doneness for EASY SIMMER.

- This function uses the sensor. The sensor needs 2 minutes, 30 seconds to warm up after the oven is connected to power or after a power failure. If you start EASY SIMMER during the warm-up, microwave energy will not be turned on until the sensor is warm.
- When cooking vegetables, increase amount of water to  $\frac{1}{4}$  to  $\frac{1}{2}$  cup (63 - 125 mL).
- Cover dish with a hard lid, i.e., the lid that comes with the dish or a dinner plate. Do not use plastic wrap.

1. Place the food in the oven and shut the door.

2. Touch EASY SIMMER.

TOUCH



YOU SEE



3. Touch Number pads to enter the simmer time.

Example for 30 minutes:

TOUCH



YOU SEE



4. Touch START.

The oven will bring the food to a boil.

TOUCH



YOU SEE



The food will then simmer for the time you set.

YOU SEE



### When simmering foods like pasta

Use a container that can hold enough water to cover the food completely when cooking, such as a 3-quart (12-cup [3 L]) casserole with a lid. When cooking pasta or noodles, add 1 tbsp (14.8 mL) oil to the water before boiling. Use the following method.

Place container with water in the oven and follow Steps 2-4, setting the simmer time at 1 second. At the end of the signal, place the food in the water and stir until completely covered by water. Cover. Repeat Steps 2-4, setting the simmer time you want.

### Changing instructions

You can change the simmering time while simmering by repeating Steps 3 and 4.

# USING YOUR MICROWAVE OVEN

## Using REHEAT

You can reheat microwavable foods just by choosing a category and quantity. REHEAT has preset times and cook powers for 4 categories (see chart below).

To use REHEAT, follow the steps below:

1. Touch



once

You see



2. Touch REHEAT 1 to 5 times to choose the type of food.



Example for  
casserole

3 times

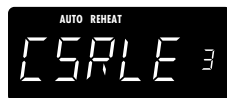
OR

Touch a Number pad to choose the type of food.



Example for  
casserole

You see



Example for  
casserole



3. Touch a Number pad to enter the quantity.



Example for  
1 cup (250 mL)

You see

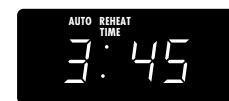


Example for  
1 cup (250 mL)

4. Touch



You see



(countdown  
time may  
vary)

### NOTES:

- If you do not enter a quantity within 2 seconds, REHEAT will prompt you to choose a quantity. You then have 1 minute to enter a quantity and to touch START. If you do not do so, REHEAT will be canceled.
- If you touch REHEAT 5 times, the display returns to the Pizza Slice setting.
- If you need more or less cooking time, do not touch REHEAT again. Touch COOK POWER before you touch START. (See “Changing preset cooking times” in the “Using Your Microwave Oven” section.)
- When reheating a large (4 oz [113 g]) muffin or bagel use the 2-piece setting. The 1-piece setting warms 1 regular-size muffin or bagel, or 2 small dinner rolls.

This chart shows you how to choose a type of food and the amounts you can choose for each type.

FOOD	TOUCH AUTO REHEAT*	OR	TOUCH NUMBER PAD	AMOUNTS YOU CAN CHOOSE
<b>Pizza Slice**</b> (sensor)	once		1	1 to 3 slices, 5 oz (127 g) each
<b>Sauce**</b> (sensor)	twice		2	1 to 4 cups (250 mL - 1L)
<b>Casserole</b>	3 times		3	1 to 4 cups (250 mL - 1L)
<b>Baked Goods</b>	4 times		4	1 to 6 pieces, 2 oz (56 g) each
<b>Soup**</b>	5 times		5	1 to 4 cups (250 mL - 1L)

\* You must touch REHEAT once before choosing the food type.

\*\* After you choose the food type and quantity and touch START, “SENSE” appears on the display. Also, the sensor needs 2 minutes, 30 seconds to warm up after the oven is connected to power or after a power failure. If you start sensor cooking during the warm-up, “SENSE” shows on the display until the warm-up is over. Microwave energy will not be turned on until the sensor is warm.

# USING YOUR MICROWAVE OVEN

## Using CUSTOM DEFROST

You can defrost food by choosing a category and setting a weight. CUSTOM DEFROST has preset times and cook powers for 3 categories (see chart below).

To use CUSTOM DEFROST, follow the steps below:

### 1. Touch



once

You see



### 2. Touch CUSTOM DEFROST 1 to 3 times to choose the type of food.



Example for meats

once

OR

Touch a Number pad to choose the type of food.



Example for meats

You see



Example for meats



### 3. Touch Number pad(s) to enter the weight.



Example for 1.1 lbs (.5 kgs)

twice

You see



Example for 1.1 lbs (.5 kgs)

### 4. Touch



You see



(countdown time may vary)

### NOTES:

- If you do not enter a weight within 2 seconds, CUSTOM DEFROST will prompt you to enter a weight. You then have 1 minute to enter a weight and to touch START. If you do not do so, CUSTOM DEFROST will be canceled.
- If you enter a weight higher than the highest weight allowed for your food setting, 3 tones will sound and "RETRY" will appear on the display when you touch START.
- If you touch CUSTOM DEFROST 4 times, the display returns to the Meats setting.
- If you need more or less defrosting time, do not touch CUSTOM DEFROST again. Touch COOK POWER before you touch START. (See "Changing preset cooking times" in the "Using Your Microwave Oven" section.)
- See the "Custom defrost chart" later in this section for defrosting directions for each food.
- To defrost items not listed in the "Custom defrost chart," use 30% cook power. Refer to a reliable cookbook for defrosting information.

### For even, complete defrosting

- The shape of the package affects how quickly food will defrost. Shallow packages will defrost more quickly than a deep block.
- As food begins to defrost, separate the pieces. Separated pieces defrost more evenly.
- Use small pieces of aluminum foil to shield parts of food such as chicken wings, leg tips, fish tails, or areas that start to get warm. Make sure the foil does not touch the sides, top, or bottom of the oven.

This chart shows you how to choose a type of food and the weights you can set for each type.

FOOD	TOUCH CUSTOM DEFROST*	OR TOUCH NUMBER PAD	WEIGHTS YOU CAN SET (tenths of a pound)
Meats	once	1	.1 to 6.6 (45 g - 3 kgs)
Poultry	twice	2	.1 to 6.6 (45 g - 3 kgs)
Fish	3 times	3	.1 to 4.4 (45 g - 2 kgs)

\* You must touch CUSTOM DEFROST once before choosing the food type.

# USING YOUR MICROWAVE OVEN

## Custom defrost chart

### Meat setting

FOOD	SPECIAL INSTRUCTIONS
<b>Beef</b>	Meat of irregular shape and large, fatty cuts of meat should have the narrow or fatty areas shielded with foil at the beginning of a defrost cycle.
Ground Beef, Bulk	Do not defrost less than ¼ lb (113 g).
Ground Beef, Patties	Do not defrost less than two 4 oz patties (113 g).
Round Steak, Tenderloin Steak, Pot Roast, Chuck Roast, Rib Roast, Rolled Rump Roast	Place on a microwavable roasting rack.
Stew Beef	Place in a microwavable baking dish.
<b>Lamb</b>	
Cubes for Stew	Place in a microwavable baking dish.
Chops (1 in. [25.4 mm] thick)	Place on a microwavable roasting rack.
<b>Pork</b>	
Chops (½ in. [12.7 mm] thick), Hot Dogs, Spareribs, Country-Style Ribs, Loin Roast (Boneless), Sausage, Links	Place on a microwavable roasting rack.
Sausage, Bulk	Place in a microwavable baking dish.

### Fish setting

FOOD	SPECIAL INSTRUCTIONS
<b>Fish</b>	
Fillets	Place in a microwavable baking dish. Carefully separate fillets under cold water.
Steaks	Place in a microwavable baking dish. Run cold water over to finish defrosting.
Whole	Place in a microwavable baking dish. Cover head and tail with foil; do not let foil touch sides of microwave oven. Finish defrosting by immersing in cold water.
<b>Shell Fish</b>	
Crabmeat, Lobster Tails, Shrimp, Scallops	Place in a microwavable baking dish.



# USING YOUR MICROWAVE OVEN

## Custom defrost chart (cont.)

### Poultry setting

FOOD	SPECIAL INSTRUCTIONS
<b>Chicken</b>	
Whole (up to 9½ lbs [4.3 kgs])	Place chicken breast-side up on a microwavable roasting rack. Finish defrosting by immersing in cold water. Remove giblets when chicken is partially defrosted.
Cut Up	Place on a microwavable roasting rack. Finish defrosting by immersing in cold water.
<b>Cornish Hens</b>	
Whole	Place on a microwavable roasting rack. Finish defrosting by immersing in cold water.
<b>Turkey</b>	
Breast (under 6 lbs [2.7 kgs])	Place on a microwavable roasting rack. Finish defrosting by immersing in cold water.

### Defrosting tips

- When using CUSTOM DEFROST, you need to enter the net weight (the weight of the food minus the container). Enter the weight to the nearest ¼ lb (45 g).
- Only use CUSTOM DEFROST for raw food. CUSTOM DEFROST gives best results when the food to be thawed is completely frozen. If the food is partially defrosted, always set a lower food weight (for a shorter defrosting time) to prevent cooking the food.
- For better results, a preset standing time is included in the defrosting time. This may make the defrosting time seem longer than expected.

### Weight conversion chart

You are probably used to food weights as being in pounds and ounces that are fractions of a pound (for example 4 ounces equals ¼ lb (113 g)). However, in order to enter food weight in CUSTOM DEFROST, you must specify pounds and tenths of a pound.

If the weight on the food package is in fractions of a pound, you can use the following chart to convert the weight to decimals.

DECIMAL WEIGHT	EQUIVALENT OUNCE WEIGHT	EQUIVALENT GRAM WEIGHT
.10	1.6	45
.20	3.2	91
.25 One-Quarter Pound	4.0	113
.30	4.8	136
.40	6.4	181
.50 One-Half Pound	8.0	227
.60	9.6	272
.70	11.2	318
.75 Three-Quarters Pound	12.0	340
.80	12.8	363
.90	14.4	408
1.00 One Pound	16.0	454

# USING YOUR MICROWAVE OVEN

## Using KEEP WARM

### **⚠️ WARNING**

#### **Food Poisoning Hazard**

**Do not let food sit in oven more than one hour before or after cooking.**

**Doing so can result in food poisoning or sickness.**

You can keep hot, cooked food warm in your microwave oven.

#### **NOTES:**

- Opening the oven door cancels KEEP WARM. Close the door and touch KEEP WARM, then touch START if additional Keep Warm time is desired.
- Food cooked covered should be covered during Keep Warm.
- Pastry items (pies, turnovers, etc.) should be uncovered during Keep Warm.
- Complete meals kept warm on a dinner plate should be covered during Keep Warm.
- Do not use more than one complete Keep Warm cycle. The quality of some foods will suffer with extended time.

1. Put hot, cooked food in the oven and close the door.

2. Touch KEEP WARM.

#### **TOUCH**



#### **YOU SEE**



3. Start the oven.

#### **TOUCH**



#### **YOU SEE**



### **To make KEEP WARM automatically follow another cycle:**

- While entering cooking instructions, touch KEEP WARM before touching START, or during cooking.
- When the last cooking cycle is over, you will hear two tones. "WARM" will come on while the oven continues to run.

# USING YOUR MICROWAVE OVEN

## Sensor cooking

Food releases humidity during cooking/heating. How much humidity food releases is affected by the quantity, temperature, and shape of the food. Your microwave oven has a sensor that detects this humidity. The amount of humidity detected tells the oven how long to cook or heat your food. You can sensor cook when preparing any of 8 types of food. Just touch the pad for the food you want to cook or heat (see the chart below).

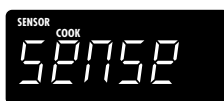
### To sensor cook:

1. Touch a Sensor pad.



Example for baked potato

You see



(until cooking time is estimated)



("MAX" appears every 3 seconds)

### NOTES:

- You do not need to touch START to start the oven. The oven will start cooking/heating when you touch one of the Sensor pads.
- If you need more or less cooking time, do not touch the selected Sensor pad again. Touch COOK POWER within 20 seconds after choosing the food type. (See "Changing preset cooking times" in the "Using Your Microwave Oven" section.) You cannot change preset cooking times for POPCORN.
- The sensor needs 2 minutes, 30 seconds to warm up after the oven is connected to power or after a power failure. If you start sensor cooking during the warm-up, "SENSE" shows on the display until the warm-up is over. Microwave energy will not be turned on until the sensor is warm.
- When cooking foods for a long time, allow the oven to cool down before sensor cooking again.

### Popcorn brands make a difference

How well your popcorn cooks will depend on the brand of popcorn and how much fat it has in it. Try several brands to decide which pops the best. For best results, use fresh bags of popcorn.

This chart shows you how to choose a type of food and the amount you can choose for each type.

PAD	INSTRUCTIONS	AMOUNT
<b>Popcorn*</b>	Pop only 1 package at a time. If you are using a microwave popcorn popper, follow manufacturer's instructions.	3.5 oz (99 g), 3.0 oz (85 g), 1.75 oz (50 g)
<b>Baked Potato</b>	Before baking, remember to pierce the potato with a fork several times. After cooking, let the potato stand 5 minutes to finish cooking.	1 to 4 potatoes (10 oz to 13 oz [284 - 369 g] each)
<b>Frozen Entree</b>	Loosen the covering for venting.	10- or 20-ounce (284 - 567 g)
<b>Dinner Plate</b>	Place food to be heated on a dinner plate or similar dish. Cover with plastic wrap and vent.	1 serving (or 1 plate) (0.5 to 1 lb [227 -454 g])
<b>Beverage*</b>	Do not cover. The shape of the mug will affect how the contents heat – if narrow and tall, contents may be hotter; if more open area on top (i.e., 1-cup measuring cup) contents may be cooler.	1 or 2 8-ounce cups (250 - 500 mL)

\* The display does not show cooking time for this setting. "SENSE" stays on the display until cooking is finished.

# USING YOUR MICROWAVE OVEN

## Using CRISP OR SIZZLE

The PAN HEAT feature, combined with CRISP OR SIZZLE, uses a pan to brown, crisp and pan fry foods in the microwave oven. PAN HEAT preheats the pan to 410°F in approximately 3 minutes. While microwaves heat the food from above, they also heat the pan very quickly from below to brown and crisp food.

**IMPORTANT:** You must use PAN HEAT before using the other CRISP OR SIZZLE features.

### To use PAN HEAT

1. Touch **PAN HEAT** once



Pan will preheat for 3 minutes.

### To use PIZZA

1. Use PAN HEAT

2. Touch



**once** for 7" (17.78 cm) pizza  
**twice** for 9" (22.86 cm) pizza  
**3 times** for 12" (30.48 cm) pizza

3. Touch **COOK POWER** to adjust cooking time for more or less well done.



4. Touch **START** to begin cooking. (If you do not touch **START** within 5 seconds after Step 2, cooking will begin automatically.)



### To use CHICKEN

1. Use PAN HEAT

2. Touch



**once** - 1 piece  
**twice** - 2 pieces  
**3 times** - 3 pieces  
**4 times** - 4 pieces

3. Touch **COOK POWER** to adjust cooking time for more or less well done.



4. Touch **START** to begin cooking. (If you do not touch **START** within 5 seconds after Step 2, cooking will begin automatically.)



### To use HAMBURGER

1. Use PAN HEAT

2. Touch



**once** - 1 hamburger  
**twice** - 2 hamburgers  
**3 times** - 3 hamburgers  
**4 times** - 4 hamburgers

3. Touch **COOK POWER** to adjust cooking time for more or less well done.



4. Touch **START** to begin cooking. (If you do not touch **START** within 5 seconds after Step 2, cooking will begin automatically.)



### Using the pan

**NOTE:** Use the pan only when the turntable is on.

- Use the plastic handle to grasp and remove the pan from the oven.
- Do not use plastic utensils on the pan. The pan becomes very hot quickly and could melt the utensils.
- Do not use any metal utensils, as they can scratch the pan.
- Do not use the pan in any other microwave oven or in a thermal oven.
- Always use the turntable as support for the pan.
- Coat the pan lightly with cooking oil to make removing food and cleaning easier.

### Cleaning the pan

Wash the pan in dishwasher or in mild, soapy water. Avoid abrasive cleansers or scrubbers.

# USING YOUR MICROWAVE OVEN

## Using EASY MINUTE

EASY MINUTE lets you cook food for 1 minute at 100% cook power or add an extra minute to your cooking time cycle. You can also use it to extend cooking time cycles in multiples of 1 minute, up to 99 minutes.

### NOTES:

- To extend cooking time cycles in multiples of 1 minute, touch EASY MINUTE repeatedly during cooking.
- After closing the door, you can enter EASY MINUTE without having to touch START.

- If you touch EASY MINUTE during cooking, the oven will cook at the currently selected cook power. If you touch EASY MINUTE after cooking is over, the oven will cook at 100% cook power. You can also change the cook power after you touch EASY MINUTE by touching COOK POWER, Number pads for the new cook power, and START.
- You can use EASY MINUTE only for the cook time function.

1. Make sure the food is in the oven.

2. Touch EASY MINUTE.

Example for cooking for 1 MINUTE:

### TOUCH



### YOU SEE



## Changing preset cooking times

If a preset cooking time is too long or too short, you can lengthen or shorten the cooking time after choosing AUTO COOK, REHEAT, CUSTOM DEFROST, or SENSOR (except for the POPCORN setting). For an auto function, you can only change

cooking times after entering a food quantity, but before cooking starts. For sensor cooking, you can only change cooking times within 20 seconds after choosing the food type.

For example, in REHEAT, after choosing the type of food and entering the quantity:

To lengthen cooking time:

### TOUCH



once

### YOU SEE



To shorten cooking time:

### TOUCH



twice

### YOU SEE



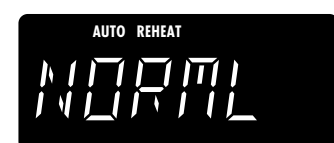
To reset to the original cooking time:

### TOUCH



three times

### YOU SEE



# USING YOUR MICROWAVE OVEN

## Using aluminum foil

Metal containers should not be used in a microwave oven. There are, however, some exceptions. If you have purchased food which is prepackaged in an aluminum foil container, refer to the instructions on the package. When using aluminum foil containers, cooking times may be longer because microwaves will only penetrate the top of the food.

If you use aluminum containers without package instructions, follow these guidelines:

- **Place** the container in a glass bowl and add some water so that it covers the bottom of the container, not more than ¼ in. (6.35 mm) high. This ensures even heating of the container bottom.
- **Always remove** the lid to avoid damage to the oven.

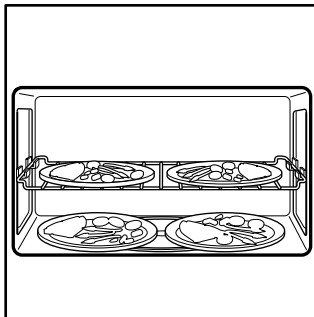
- **Use only** undamaged containers.
- **Do not use** containers taller than ¾ in. (19 mm)
- **Container must be** at least half filled.
- **To avoid arcing**, there must be a minimum ¼ in. (6.35 mm) between the aluminum container and the walls of the oven and also between two aluminum containers.
- **Always place** the container on the turntable.
- **Reheating food** in aluminum foil containers usually takes up to double the time compared to reheating in plastic, glass, china, or paper containers. The time when food is ready will vary depending upon the type of container you use.
- **Let food stand** for 2 to 3 minutes after heating so that heat is spread evenly throughout container.

## Cooking you should not do in your microwave oven

- **Do not** do canning of foods in the oven. Closed glass jars may explode, resulting in damage to the oven.
- **Do not** use the microwave oven to sterilize objects (baby bottles, etc.). It is difficult to keep the oven at the high temperature needed for safe sterilization.

## Using 2-4 Plates

When heating food with a cook time that you set, you can heat two 10 ¼-in. (25.5 cm) plates side by side or one dish larger than the turntable, plus two plates on the cooking rack. For best results, halfway through cooking turn the plates halfway around. Do the same when heating a larger (9- to 13-in. [23 - 33 cm])



casserole. When heating 4 dinner plates, switch the plates between top and bottom when you turn them.

To heat 2 bottom plates together or one larger dish, the turntable should not be turning.



You can shut the turntable off by touching TURNTABLE ON/OFF.

"TURNTABLE OFF" appears on the display. PRESS to enter setting.

1. TOUCH First Screen pad, TURN to 2-4 Plates and TOUCH.
2. TURN to select number of plates and TOUCH.
3. Arrange plates as shown on left. TOUCH to Start.

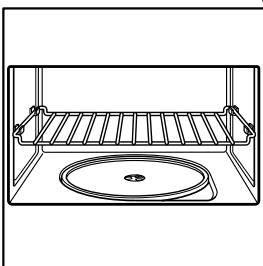
**NOTE:** You cannot choose Turntable Off during auto cook functions.

## Using the cooking rack

The cooking rack gives you extra space when cooking in more than one container at the same time.

### Inserting the rack

Insert the rack securely into the rack supports on the side walls of the oven.



### NOTES:

- Only use the cooking rack when cooking at more than one level.
- Use rack only in the microwave oven.
- Do not let food container on rack touch the top or sides of the oven.
- Do not use rack with browning dish.
- Do not place a metal cooking container on rack.
- Do not store the metal rack in the oven. Do not operate the oven with the metal rack stored on the floor of the oven. Damage to the interior finish will result.
- Use oven mitts to remove items from microwave oven.
- Do not cook foods directly on rack. Put them in microwave-safe containers first.

# CARING FOR YOUR MICROWAVE OVEN

## Installing and caring for filters

The grease filters should be removed and cleaned often, at least once a month.

**NOTE:** Your microwave hood combination comes with a charcoal filter to provide clean recirculated air. **The charcoal filter cannot be cleaned and should be replaced every 6 to 12 months.**

You can order replacements (Part No. 4393690) by calling **1-800-807-6777** and following the instructions and telephone prompts you hear.

If you prefer, you can visit our website at: [www.kitchenaid.com/canada](http://www.kitchenaid.com/canada)

### ⚠ WARNING



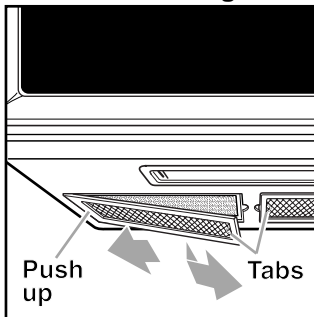
#### Electrical Shock Hazard

**Disconnect power before removing filters.  
Replace all panels before operating.  
Failure to do so can result in death  
or electrical shock.**

### Removing, cleaning, and replacing

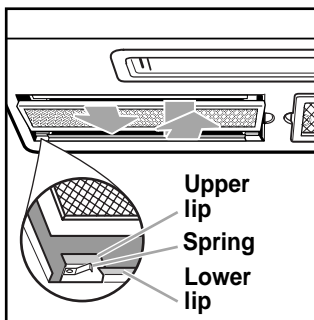
1. Unplug microwave oven or disconnect power.

2. To remove the grease filters (Part No.

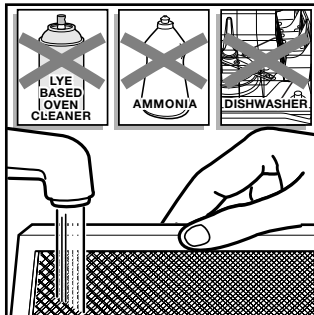


4393691), push each filter up on the side opposite the tab. Grasp the tab and slide the filter to the side. Pull the filter downward. It will drop out.

3. To remove the charcoal filters, push the back of each filter away from you. This will slide the front of the filter off the lower lip. Swing the front of the filter down and slide the filter out.

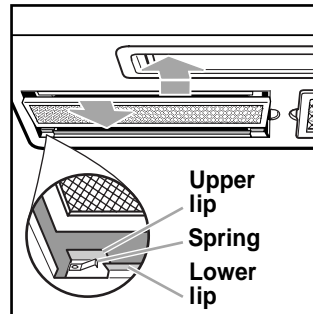


4. Soak grease filters in hot water and a mild detergent. Scrub and swish to remove embedded dirt and grease. Rinse well and shake to dry.



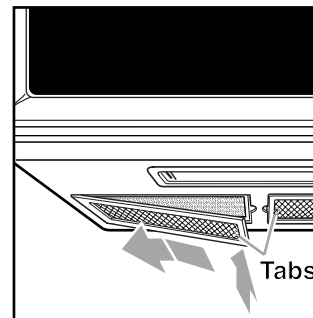
**Do not use ammonia, corrosive cleaning agents such as lye-based oven cleaners, or place in a dishwasher. The filter will turn black or could be damaged.**

5. To replace the charcoal filters, push each filter



to the back of the opening, between the upper and lower lips against the springs. Swing the front of the filter up against the upper lip. Slide the filter forward while pushing it up against the upper lip. The filter will now be held in position between the lips by the spring.

6. To replace the grease filters, slide each filter into the outer side of the filter opening. Make sure you are sliding in the side of the filter that does not have the tab. Hold the tab with your other hand. Push up the tab side of the filter and slide the filter to the other side of the opening to lock into place.



7. Plug in microwave oven or reconnect power.

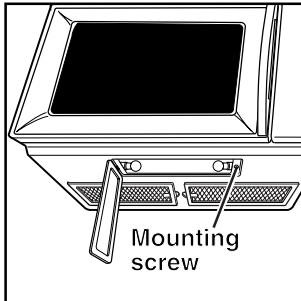
**NOTE:** Do *not* operate the vent fan without the grease filters in place.

# CARING FOR YOUR MICROWAVE OVEN

## Replacing the cooktop and oven lights

### The cooktop light

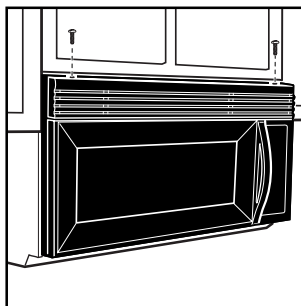
1. Unplug microwave oven or disconnect power.
2. Remove the bulb cover mounting screw and carefully remove the cover.



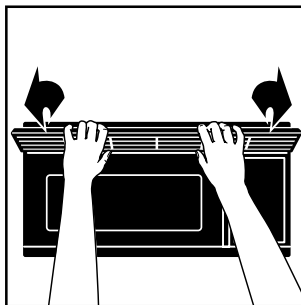
3. Remove the burnt-out bulb(s) and replace with 10W low-voltage halogen capsule bulb(s) (Part No. 8169418). Use a soft tissue to handle bulb(s), or wear a cotton glove. Do not touch bulb(s) with your bare fingers.
4. Replace the bulb cover and mounting screw.
5. Plug in microwave oven or reconnect power..

### The oven light

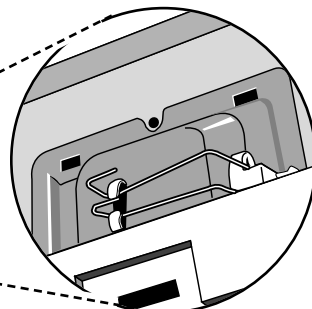
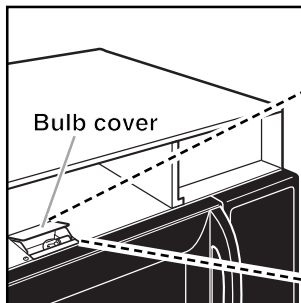
1. Unplug microwave oven or disconnect power.
2. Remove the two vent grille mounting screws located above the cover (the two outer screws).



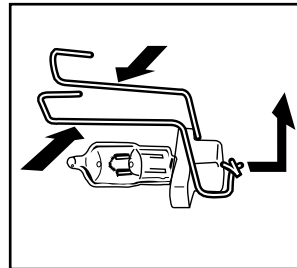
3. Tip the grille forward, then lift out to remove.



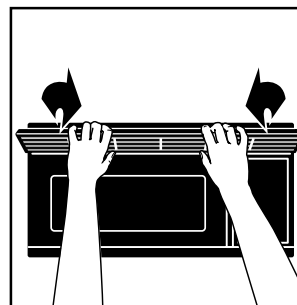
4. Lift up the bulb cover.



5. Remove the burnt-out bulb by squeezing the wire clip together, pulling to the right and lifting up. Replace the bulb with a 10W low-voltage halogen capsule bulb (Part No. 8169418). Use a soft tissue to handle the lamp, or wear a cotton glove. Do not touch lamp with your bare fingers.



6. Close the bulb cover.
7. Slide the top of the vent grille into place. Push the bottom until it snaps into place. Replace the mounting screws.



8. Plug in microwave oven or reconnect power.

\* To order bulbs call **1-800-807-6777** and follow the instructions and telephone prompts you hear.

If you prefer, you can visit our website at:  
**[www.kitchenaid.com/canada](http://www.kitchenaid.com/canada)**



# QUESTIONS AND ANSWERS

QUESTIONS	ANSWERS
Can I operate my microwave oven without the turntable or turn the turntable over to hold a large dish?	You can turn off the turntable to heat 2 dinner plates side by side or one dish that's larger than the turntable. However, if you only need to heat one plate on the turntable, keep the turntable on for best cooking results. Also, you should not turn over the turntable. A plate used on the turntable must fit on it when the turntable is correct side up.
Can I use a rack in my microwave oven so that I may reheat or cook on two levels at a time?	You can use a rack only if the rack is supplied with your microwave oven. If you use a rack not supplied with the microwave oven, you can get poor cooking performance and/or arcing.
Can I use either metal or aluminum pans in my microwave oven?	You can use aluminum foil for shielding (use small, flat pieces), small skewers, and shallow foil trays (if tray is $\frac{3}{4}$ in. (19 mm) deep or less and half filled with food to absorb microwave energy). Never allow metal to touch walls or door.
Is it normal for the turntable to turn in either direction?	Yes. The turntable rotates clockwise or counter-clockwise, depending on the rotation of the motor when the cooking cycle begins.
Sometimes the door of my microwave oven appears wavy. Is this normal?	This appearance is normal and does not affect the operation of your oven.
What are the humming noises that I hear when my microwave oven is operating?	You hear the sound of the transformer when the magnetron tube cycles on.
Why does the dish become hot when I microwave food in it? I thought that this should not happen.	As the food becomes hot it will conduct the heat to the dish. Be prepared to use hot pads to remove food after cooking.
Why does steam come out of the air exhaust vent?	Steam is normally produced during cooking. The microwave oven has been designed to vent this steam out the vent.

# TROUBLESHOOTING

Most cooking problems often are caused by little things you can find and fix without tools of any kind. Check the lists below and on the next page before calling for assistance or service. If you still need help, see the “Requesting Assistance or Service” section.

## Microwave oven does not work

PROBLEM	CAUSE
Nothing works.	<ul style="list-style-type: none"><li>• Plug into a grounded 3 prong outlet. (See the “Electrical requirements” section on page 5 and the “Electrical connection” section on Page 7.)</li><li>• A household fuse has blown or a circuit breaker has tripped.</li><li>• The electric company has had a power failure.</li></ul>
The microwave oven will not run.	<ul style="list-style-type: none"><li>• You are using the oven as a timer. Touch CANCEL/OFF to cancel the Timer.</li><li>• The door is not firmly closed and latched.</li><li>• You did not touch START at the end of a function.</li><li>• You did not follow directions exactly.</li><li>• An operation that you set earlier is still running. Touch CANCEL/OFF to cancel that operation.</li></ul>

## Cooking times

PROBLEM	CAUSE
Food is not cooked enough.	<ul style="list-style-type: none"><li>• The electric supply to your home or wall outlets is low or lower than normal. Your electric company can tell you if the line voltage is low. Your electrician or service technician can tell you if the outlet voltage is low.</li><li>• The cook power is not at the recommended setting. Check the chart on page 16.</li><li>• You have not allowed enough cooking time for the amount of food being cooked. Larger amounts of food need longer cooking times.</li></ul>
The display shows a time counting down but the oven is not cooking.	<ul style="list-style-type: none"><li>• The oven door is not closed completely.</li><li>• You have set the controls as a timer. Touch TIMER or CANCEL/OFF to cancel the Timer.</li></ul>

## Turntable

PROBLEM	CAUSE
The turntable will not turn.	<ul style="list-style-type: none"><li>• You have turned off the turntable. (See the “Using 2-4 Plates” section on Page 30.)</li><li>• The turntable is not correctly in place. It should be correct-side up and sitting firmly on the center shaft.</li><li>• The support is not operating correctly. Remove the turntable and restart the oven. If the support still does not move, call a designated service technician for repair. Cooking without the turntable can give you poor results.</li></ul>

## Tones

PROBLEM	CAUSE
You do not hear the programming or end-of-cycle tone.	<ul style="list-style-type: none"><li>• You have turned off the tone. (See the “Audible signals” section on Page 10.)</li></ul>

If none of these items are causing your problem, see “Requesting Assistance or Service.”

# REQUESTING ASSISTANCE OR SERVICE

To avoid unnecessary service calls, please check the “Troubleshooting” section. It may save you the cost of a service call. If you still need help, follow the instructions below.

## If you need assistance:

### Call the KitchenAid Canada Customer



Interaction Center toll free, 8:30 a.m. – 5:30 p.m. (EST), at 1-800-461-5681. Our consultants are available to assist you.

When calling:

Please know the purchase date, and the complete model and serial number of your appliance (see the “A Note to You” section). This information will help us better respond to your request.

## If you need service:

Contact Inglis Limited Service from anywhere in Canada at **1-800-807-6777**.

## For further assistance:

If you need further assistance, you can write to KitchenAid with any questions or concerns at:

Customer Interaction Center  
KitchenAid Canada  
1901 Minnesota Court  
Mississauga, Ontario L5N 3A7

Please include a daytime phone number in your correspondence.

# MICROWAVE HOOD WARRANTY

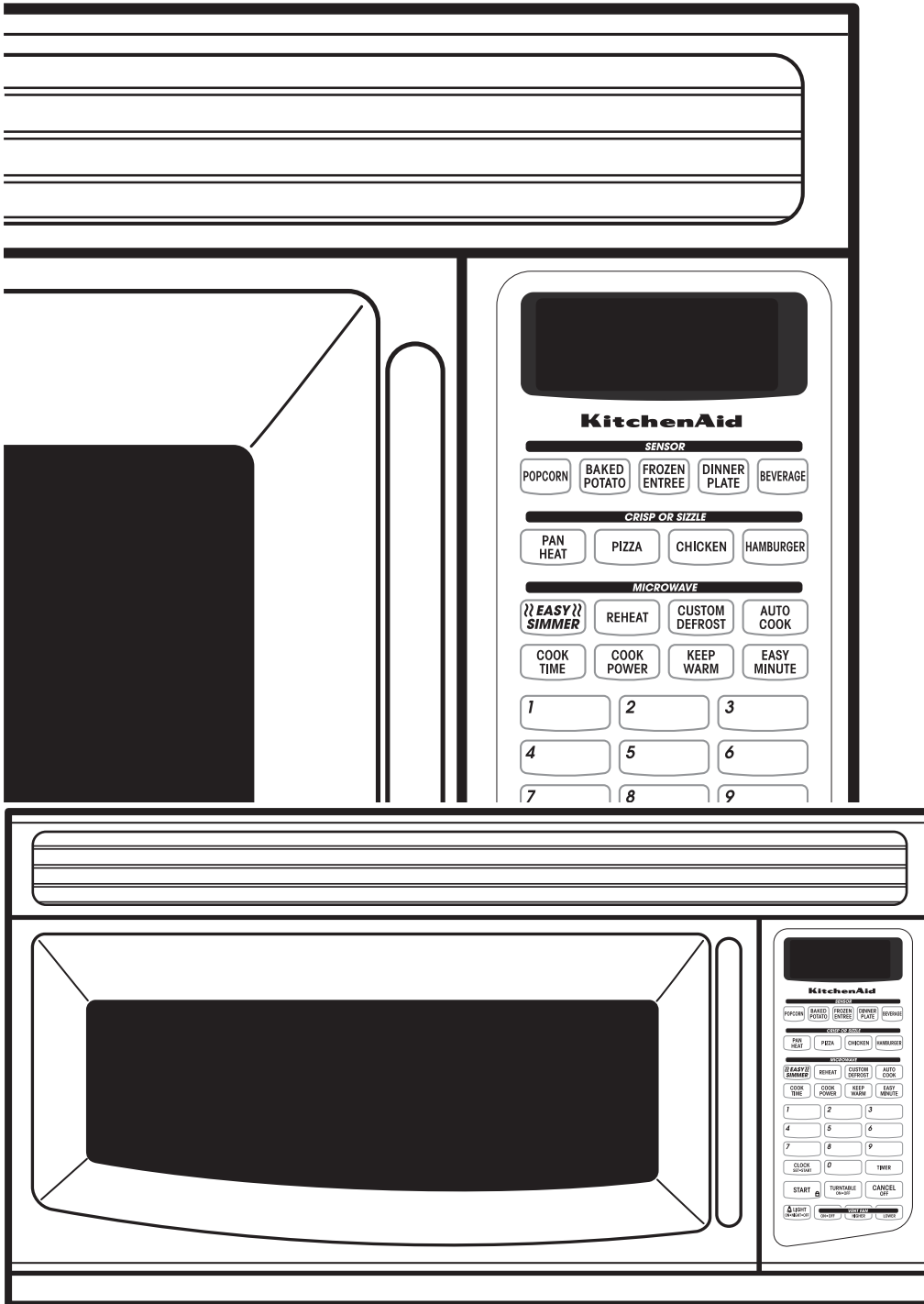
<b>LENGTH OF WARRANTY:</b>	<b>KITCHENAID CANADA WILL PAY FOR:</b>
<b>TWO-YEAR FULL WARRANTY FROM DATE OF PURCHASE</b>	Replacement parts and repair labor costs to correct defects in materials or workmanship. Service must be provided by a KitchenAid designated servicing company.
<b>THIRD-THROUGH FIFTH- YEAR LIMITED WARRANTY FROM DATE OF PURCHASE</b>	Replacement of parts for microwave magnetron tube on microwave oven to correct defects in materials or workmanship.
<b>KITCHENAID CANADA WILL NOT PAY FOR:</b>	
<p><b>A.</b> Service calls to:</p> <ol style="list-style-type: none"> <li>1. Correct the installation of the oven.</li> <li>2. Instruct you how to use the oven.</li> <li>3. Replace house fuses or correct house wiring.</li> <li>4. Service to replace customer-accessible light bulbs and filters.</li> </ol> <p><b>B.</b> Repairs when oven is used in other than normal, single-family home use.</p> <p><b>C.</b> Damage resulting from accident, alteration, misuse, abuse, fire, flood, acts of God, improper installation, or installation not in accordance with local electrical codes, or use of products not approved by KitchenAid Canada.</p> <p><b>D.</b> Replacement of disposable charcoal filter and browning pan that require replacement due to normal use.</p> <p><b>E.</b> Any labor costs during the limited warranty.</p> <p><b>F.</b> Pickup and delivery. This product is designed to be repaired in the home.</p> <p><b>G.</b> Repairs to parts or systems resulting from unauthorized modifications made to the appliance.</p> <p><b>H.</b> Replacement parts or repair labor costs for units operated outside Canada</p> <p><b>I.</b> Travel or transportation expenses for customers who reside in remote areas.</p>	
3/00	

**KITCHENAID CANADA DOES NOT ASSUME ANY RESPONSIBILITY FOR INCIDENTAL OR CONSEQUENTIAL DAMAGES.** Some provinces do not allow the exclusion or limitation of incidental or consequential damages, so this exclusion or limitation may not apply to you. This warranty gives you specific legal rights and you may also have other rights which may vary from province to province.

**Outside Canada, this warranty does not apply. Contact your authorized KitchenAid dealer to determine if another warranty applies.**

If you need service, first see the "Troubleshooting" section of this book. After checking "Troubleshooting," additional help can be found by checking the "Requesting Assistance or Service" section or by calling our Customer Interaction Center telephone number, **1-800-461-5681**, from anywhere in Canada.

# GUIDE D'UTILISATION ET D'ENTRETIEN



## KitchenAid® Four à Micro-ondes Combiné Avec Hotte

Note à l'utilisateur .....	2
Sécurité du four à micro-ondes .....	3
Enlèvement et réinstallation du four à micro-ondes.....	6
Familiarisation du four à micro-ondes.....	7
Conseils de fonctionnement.....	7
Connexion électrique.....	7
Caractéristiques du four.....	8
Caractéristiques du tableau de commande .....	9
Utilisation du verrouillage de sécurité.....	12
Utilisation de la caractéristique de démonstration/connaissance.....	12
Utilisation du ventilateur de l'évent..	13
Utilisation de la lampe de la table de cuisson/comptoir.....	13
Réglage de l'horloge.....	14
Utilisation de la minuterie.....	15
<b>Utilisation du four à micro-ondes.....</b>	<b>16</b>
Cuisson à la puissance maximale....	16
Cuisson à différentes puissances....	17
Cuisson par étapes .....	19
Utilisation de AUTO COOK (Cuisson automatique).....	21
Utilisation de EASY SIMMER (Mijotage facile) .....	22
Utilisation de REHEAT (Réchauffage).....	23
Utilisation de CUSTOM DEFROST (Decongelation sur commande).....	24
Utilisation de KEEP WARM (Garder su chaud).....	27
Cuisson par détecteur.....	28
Utilisation de CRISP OR SIZZLE (Croustillage ou grillage).....	29
Utilisation de EASY MINUTE (Minute facile).....	30
Changement des temps de cuisson pré-réglés.....	30
Utilisation du papier d'aluminium....	31
Cuisson à ne pas faire dans un four à micro-ondes.....	31
Utilisation de 2-4 assiettes.....	31
Utilisation de la grille de cuisson....	32
<b>Entretien du four à micro-ondes.....</b>	<b>33</b>
<b>Installation et entretien des filtres .....</b>	<b>33</b>
<b>Remplacement des ampoules de la table de cuisson et du four ..</b>	<b>34</b>
<b>Questions et réponses.....</b>	<b>35</b>
<b>Dépannage.....</b>	<b>36</b>
<b>Demande d'assistance ou de service .....</b>	<b>38</b>
<b>Garantie .....</b>	<b>40</b>

# NOTE À L'UTILISATEUR

## Nous vous remercions de votre achat d'un appareil ménager KITCHENAID®!

KitchenAid conçoit les meilleurs outils pour la pièce la plus importante dans votre maison. Nous avons préparé ce Guide d'utilisation et d'entretien pour que votre appareil puisse vous fournir de nombreuses années de service sans problème. Il contient des renseignements importants concernant l'utilisation et l'entretien convenables et en sécurité de votre nouvel appareil. Veuillez le lire attentivement.

Veuillez également remplir et nous retourner la carte ci-jointe d'enregistrement du produit.

### Pour assistance

Contactez le Centre d'interaction avec la clientèle, sans frais .....1-800-461-5681

Pour service .....1-800-807-6777

Si vous avez besoin d'assistance ou de service, consultez d'abord la section "Dépannage" dans cette brochure. Après avoir consulté la section "Dépannage", on peut également obtenir de l'aide à la section "Demande d'assistance ou de service" ou en téléphonant à l'un des numéros mentionnés ci-dessus.

Lors de votre appel, vous devrez communiquer le numéro de série et le numéro de modèle au complet de l'appareil. Vous pouvez trouver cette information sur la plaque signalétique (voir le schéma à la section "Familiarisation du four à micro-ondes").

Conserver cette brochure et la facture d'achat ensemble en lieu sûr pour consultation ultérieure. **Pour obtenir le service sous garantie, vous devez fournir une preuve d'achat ou la date d'installation.**

Numéro de modèle \_\_\_\_\_ Constructeur/Concessionnaire \_\_\_\_\_

Numéro de série \_\_\_\_\_ Adresse \_\_\_\_\_

Date d'installation \_\_\_\_\_ Téléphone \_\_\_\_\_

# SÉCURITÉ DU FOUR À MICRO-ONDES

## Votre sécurité et celle des autres est très importante.

Nous donnons de nombreux messages de sécurité importants dans ce manuel et sur votre appareil ménager. Assurez-vous de toujours lire tous les messages de sécurité et de vous y conformer.



Voici le symbole d'alerte de sécurité.

Ce symbole d'alerte de sécurité vous signale les dangers potentiels de décès et de blessures graves à vous et à d'autres.

Tous les messages de sécurité suivront le symbole d'alerte de sécurité et le mot "DANGER" ou "AVERTISSEMENT". Ces mots signifient :

**! DANGER**

**Risque possible de décès ou de blessure grave si vous ne suivez pas immédiatement les instructions.**

**! AVERTISSEMENT**

**Risque possible de décès ou de blessure grave si vous ne suivez pas les instructions.**

Tous les messages de sécurité vous diront quel est le danger potentiel et vous disent comment réduire le risque de blessure et ce qui peut se produire en cas de non-respect des instructions.

## IMPORTANTES INSTRUCTIONS DE SÉCURITÉ

Lors de l'utilisation de tout appareil ménager électrique on doit observer certaines précautions de sécurité fondamentales, dont les suivantes :

**AVERTISSEMENT :** Pour réduire le risque de brûlures, de choc électrique, d'incendie, de blessures et l'exposition excessive à l'énergie des micro-ondes :

- Lire la totalité des instructions avant d'utiliser le four à micro-ondes.
- Lire et observer les instructions spécifiques de "PRÉCAUTIONS CONTRE LE RISQUE D'EXPOSITION EXCESSIVE À L'ÉNERGIE DES MICRO-ONDES" dans cette section.
- Le four à micro-ondes doit être relié à la terre. Brancher l'appareil uniquement sur une prise de courant convenablement reliée à la terre. Voir les "INSTRUCTIONS DE LIAISON À LA TERRE" présentées dans cette section et dans les instructions d'installation fournies.
- Installer ou placer le four à micro-ondes uniquement selon les instructions d'installation fournies.
- Certains produits, comme les oeufs entiers dans leur coquille et les récipients fermés – par exemple les bocaux en verre fermés – peuvent exploser et on ne doit pas les faire chauffer dans le four à micro-ondes.
- Utiliser le four à micro-ondes uniquement pour les applications auxquelles il est destiné, telles qu'elles sont décrites dans ce manuel. Ne pas utiliser de vapeurs ou de produits chimiques corrosifs dans le four à micro-ondes. Ce type de four est spécifiquement conçu pour chauffer, cuire ou sécher des aliments. Il n'est pas conçu pour des applications industrielles ou de laboratoire.
- Comme pour tout appareil ménager, les enfants ne devraient utiliser ce four que sous une supervision adéquate.
- Ne pas faire fonctionner le four à micro-ondes si le cordon d'alimentation ou la fiche de branchement est endommagé, s'il ne fonctionne pas correctement, s'il a subi des dommages ou s'il est tombé sur le plancher.
- Tous les travaux de service doivent être exécutés exclusivement par un personnel d'entretien qualifié. Contacter un centre de service autorisé pour les opérations d'inspection, de réparation ou de réglage.
- Voir les instructions de nettoyage de la surface de la porte à la section "Entretien du four à micro-ondes".

**CONSERVEZ CES INSTRUCTIONS**

suite à la page suivante



## IMPORTANTES INSTRUCTIONS DE SÉCURITÉ

- Pour réduire le risque d'incendie dans la cavité du four :
  - Ne pas faire cuire les aliments excessivement. Surveiller attentivement le four à micro-ondes après y avoir placé des produits en papier, en plastique ou autres matériaux combustibles pour faciliter la cuisson des aliments.
  - Enlever les attaches métalliques des sachets en papier ou en plastique avant de placer de tels sachets dans le four.
  - En cas d'inflammation de matériaux placés à l'intérieur du four, maintenir la porte du four fermée, arrêter le four, débrancher le four, ou interrompre l'alimentation électrique au niveau du tableau de distribution (fusible ou disjoncteur).
  - Ne pas utiliser la cavité du four comme espace de rangement. Ne pas laisser dans le four des produits en papier, ustensiles de cuisine ou produits alimentaires, lorsqu'il n'est pas utilisé.
- Convient à l'utilisation des appareils de cuisson au gaz et électriques.
- Destiné à l'utilisation au-dessus des cuisinières avec une largeur maximale de 36 po (91,44 cm).
- Nettoyer souvent les hottes de ventilation. Il ne faut pas laisser la graisse s'accumuler sur la hotte ou le filtre.
- Les aliments trop volumineux ou des ustensiles en métal de grande taille ne doivent pas être insérés dans le four à micro-ondes car ils peuvent créer un incendie ou un risque de choc électrique.
- Ne pas nettoyer avec des tampons métalliques à récurer. Des pièces peuvent se détacher du tampon en brûlant et venir en contact avec des pièces électriques qui pourraient causer un risque de choc électrique.
- Ne pas utiliser des produits en papier lorsque l'appareil fonctionne au mode "PAN BROWN".
- Ne pas remiser des matériaux autres que les accessoires recommandés par le fabricant dans ce four lorsqu'il n'est pas utilisé.
- Veiller à ne rien remiser directement sur le four lorsqu'il est en service.
- Lorsque vous flambez des aliments sous la hotte, mettre le ventilateur en marche.
- Nettoyer avec soin le filtre du ventilateur de la hotte. Des agents de nettoyage corrosifs, tels que les produits de nettoyage de four à base de soude, peuvent endommager le filtre.
- Ne pas couvrir ni obstruer toute ouverture sur le four à micro-ondes.
- Ne pas remiser ce four à micro-ondes à l'extérieur. Ne pas utiliser le four à micro-ondes à proximité d'eau - par exemple, près d'un évier de cuisine, dans un sous-sol humide ou près d'une piscine ou à un emplacement similaire.
- Ne pas immerger le cordon ou la fiche de branchement dans l'eau.
- Garder le cordon d'alimentation loin des surfaces chauffées.
- Ne pas laisser le cordon d'alimentation pendre sur le bord d'une table ou d'un comptoir.
- Ne pas faire le montage au-dessus d'un évier.
- Ne pas couvrir les grilles ou autre partie du four avec du papier métallique. Cette action causera un surchauffage du four.

**CONSERVEZ CES INSTRUCTIONS**

## PRÉCAUTIONS CONTRE LE RISQUE D'EXPOSITION EXCESSIVE À L'ÉNERGIE DES MICRO-ONDES

- (a) Ne pas tenter de faire fonctionner ce four lorsque la porte est ouverte, car ceci pourrait susciter une exposition dangereuse à l'énergie des micro-ondes. Il est important de ne pas déranger ni de modifier les dispositifs de sécurité.
- (b) Ne pas placer d'objet entre la surface avant du four et la porte, et ne pas laisser des souillures ou résidus de produits de nettoyage s'accumuler sur les surfaces d'étanchéité.
- (c) Ne pas faire fonctionner le four lorsqu'il est endommagé. Il est particulièrement important que la porte du four ferme convenablement et que les composants suivants ne soient pas endommagés :
  - (1) Porte (déformation),
  - (2) Charnières et loquets (brisés ou desserrés),
  - (3) Joints de porte et surfaces d'étanchéité.
- (d) Seul un personnel d'entretien qualifié doit exécuter des réparations ou réglages sur ce four à micro-ondes.

## Spécifications électriques

Observer les dispositions de tous les codes et règlements d'électricité en vigueur. L'appareil doit être alimenté uniquement par un circuit de 120 V CA, 60 Hz, protégé par un fusible de 15 ou 20 A (on recommande l'utilisation d'un fusible temporisé). Il est recommandé que cet appareil soit alimenté par un circuit indépendant.

### ⚠ AVERTISSEMENT



**Risque de choc électrique**  
**Brancher sur une prise à 3 alvéoles reliée à la terre.**  
**Ne pas enlever la broche de liaison à la terre.**  
**Ne pas utiliser un adaptateur.**  
**Ne pas utiliser un câble de rallonge.**  
**Le non-respect de ces instructions peut causer un décès, un incendie ou un choc électrique.**

## INSTRUCTIONS DE MISE À LA TERRE

- **Pour appareils ménagers connectés par un cordon de courant électrique :**  
Il faut que le four à micro-ondes soit relié à la terre. En cas de court-circuit électrique, la liaison à la terre réduit le risque de choc électrique et dis- pose d'un itinéraire direct d'acheminement à la terre. Le four à micro-ondes est doté d'un cordon de courant électrique qui comporte un fil de liaison à la terre, avec broche de liaison à la terre. On doit brancher la fiche sur une prise de courant convenablement installée et reliée à la terre.

**AVERTISSEMENT :** L'utilisation incorrecte du dispositif de liaison à la terre peut susciter un risque de choc électrique. L'utilisateur qui ne comprend pas bien les instructions de liaison à la terre, ou qui n'est pas certain que le four à micro-ondes soit convenablement relié à la terre, devrait consulter un électricien qualifié.

Ne pas utiliser un câble de rallonge. Si le cordon de courant électrique est trop court, demander à un électricien qualifié d'installer une prise de courant à proximité du four à micro-ondes.

## CONSERVEZ CES INSTRUCTIONS

# ENLÈVEMENT ET RÉINSTALLATION DU FOUR À MICRO-ONDES

## ⚠️ AVERTISSEMENT

### Risque de poids excessif

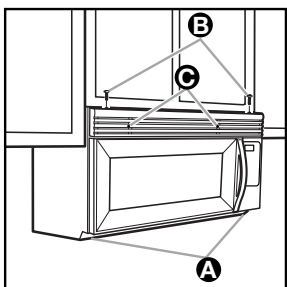
Utiliser deux ou plus de personnes pour déplacer et installer le four à micro-ondes.

Le non-respect de cette instruction peut causer une blessure au dos ou d'autre blessure.

Si on doit pour une raison quelconque, enlever le four à micro-ondes combiné avec hotte, suivre ces étapes simples :

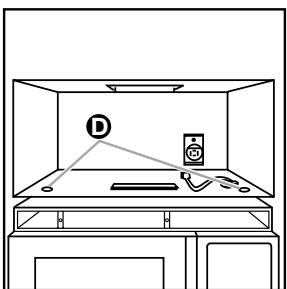
## Enlèvement :

1. Débrancher le four à micro-ondes ou débrancher la source de courant électrique.
2. Retirer les filtres et la grille de ventilation.



- Si les filtres **A** sont installés, appuyer sur la languette et glisser le filtre vers la bordure extérieure pour l'enlever.
- Retirer les deux vis **B** au sommet du boîtier du four à micro-ondes (les vis situées le plus près des coins avant). Ne pas enlever les vis situées près du centre du boîtier.

- Retirer la grille de ventilation **C**. Mettre de côté les vis et la grille. (S'il est impossible de retirer la grille, voir l'étape 4.)

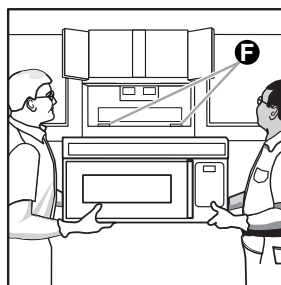
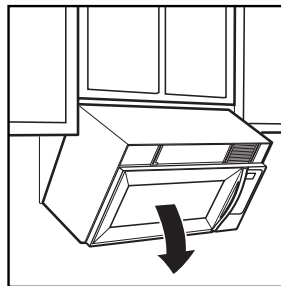


3. Après avoir enlevé tout le contenu du four, y compris le plateau tournant et le support, fermer la porte et la fixer au moyen de ruban adhésif. Ensuite retirer les deux boulons **D** servant à fixer le four à

4. Tenir le four à micro-ondes combiné avec hotte en place d'une main. Retirer le crochet **E** pour dégager la hotte du four à micro-ondes de la plaque de montage. S'il est impossible de retirer la grille (d'après les instructions à l'étape 2), insérer dans une ouverture

de la grille un mince fil de fer plié en deux ou tout autre outil semblable pour pouvoir tirer sur le crochet.

5. Saisir le four à micro-ondes. Faire pivoter le four à micro-ondes vers le bas. (Faire attention et voir à ce que la porte ne s'ouvre pas.) Soulever les languettes d'appui **F** situées à la base du plateau de fixation. Mettre le four à micro-ondes de côté sur une surface protégée.



## Réinstallation :

1. Soulever doucement le four à micro-ondes et l'accrocher aux languettes de support situées à la base de la plaque de montage.
2. Faire pivoter le devant du boîtier du four à micro-ondes vers le bas. Passer le cordon d'alimentation électrique dans le trou destiné à cette fin situé au bas du boîtier supérieur.
3. Faire pivoter le four à micro-ondes vers le boîtier. Pousser le four à micro-ondes contre la plaque de montage jusqu'à ce que le dispositif de fixation s'enclenche dans le boîtier.
4. Remettre les deux boulons qui fixent le four à micro-ondes à l'armoire supérieure.
5. Enlever le ruban adhésif qui retenait la porte et replacer le plateau tournant et son support.
6. Replacer la grille de ventilation.
7. Remettre les deux vis sur le dessus du boîtier du four à micro-ondes (les vis situées le plus près des coins avant).
8. Si des filtres étaient installés, les replacer (voir "Installation et soin des filtres" à la section "Entretien du four à micro-ondes", si nécessaire).
9. Brancher le four à micro-ondes ou remettre le courant.

# FAMILIARISATION DU FOUR À MICRO-ONDES

Cette section traite des concepts de la cuisson aux micro-ondes et présente les principes de base que l'utilisateur doit connaître pour faire fonctionner le four à micro-ondes. Lire ces renseignements avant d'utiliser votre four.

## Conseils de fonctionnement

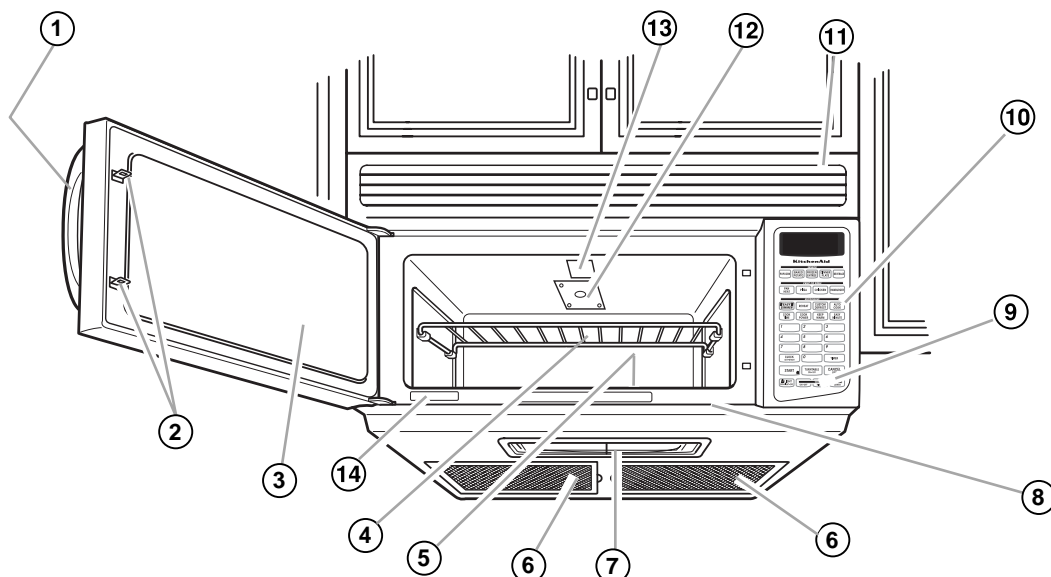
- **Ne jamais** s'appuyer sur la porte ou permettre à un enfant de se suspendre de la porte quand elle est ouverte.
- **Utiliser des mitaines de four.** L'énergie des micro-ondes ne chauffe pas les récipients, mais les aliments chauds peuvent les réchauffer.
- **Ne pas** placer de journal ou autre papier imprimé dans le four.
- **Ne pas** essayer de faire sécher des articles comme des fleurs, fruits, herbes, bois, papier, gourdes ou vêtements dans le four.
- **Ne pas** mettre en marche un four à micro-ondes lorsqu'il est vide. La durée de vie de l'appareil peut être raccourcie. Pour les essais de programmation du four, **mettre** un récipient contenant de l'eau dans le four. Il est normal que la porte du four paraisse ondulée après que le four ait fonctionné pendant quelque temps.
- **Ne pas** essayer de faire fondre de la cire de paraffine dans le four. La cire de paraffine ne fond pas dans un four à micro-ondes car elle est transparente aux micro-ondes.
- **Ne pas** faire fonctionner le four à micro-ondes à moins que le plateau tournant en verre soit bien en place et puisse tourner librement. Le plateau tournant peut tourner dans un sens ou l'autre. **S'assurer** que le plateau tournant est à l'endroit dans le four. **Manipuler le plateau tournant avec soin** lorsqu'on le retire du four pour éviter de le casser. Si le plateau tournant se fend ou casse, contacter le marchand pour obtenir un plateau de remplacement.
- **Quand on emploie un plat à brunissement**, il doit être à  $\frac{1}{16}$  po (5,5 mm) au-dessus du plateau tournant. Suivre le mode d'emploi fourni avec le plat à brunissement.
- **Ne jamais faire cuire ou réchauffer un oeuf entier dans la coquille.** L'accumulation de vapeur dans les oeufs entiers peut faire exploser l'oeuf et risque d'endommager le four. **Trancher** les oeufs bouillis avant de les réchauffer. Dans de rares cas, des oeufs cuits à la vapeur ont explosé. **Couvrir** les oeufs cuits à la vapeur et les **laisser** reposer pendant une minute avant de les couper.
- **Pour l'obtention de meilleurs résultats, remuer plusieurs fois un liquide quelconque avant de le chauffer ou de le réchauffer.** Les liquides chauffés dans certains récipients (particulièrement les récipients de forme cylindrique), peuvent s'échauffer excessivement. Le liquide peut projeter des éclaboussures en émettant un fort bruit pendant ou après la période de chauffage, ou lors de l'addition d'ingrédients (granules de café, sachets de thé, etc). Ceci peut endommager le four.
- **Les micro-ondes** peuvent ne pas atteindre le centre d'un rôti. C'est la chaleur générée dans les zones périphériques du rôti qui provoque la cuisson comme dans un four ordinaire. C'est là l'une des raisons pour lesquelles on doit prévoir un temps de repos après la cuisson avant la consommations de mets (comme rôtis ou pommes de terre), ou pour prévoir de remuer certains aliments au cours de la période de cuisson.
- **Ne pas cuire en friture profonde dans le four.** Les ustensiles de cuisson pour micro-ondes ne conviennent pas et il est difficile de maintenir des températures appropriées de friture.
- **Ne pas faire cuire excessivement les pommes de terre.** À la fin du temps de cuisson recommandé, les pommes de terre devraient être encore légèrement fermes, parce que leur cuisson se poursuit au cours du temps de repos. **Après la cuisson au four à micro-ondes, laisser** les pommes de terre reposer pendant 5 minutes. Ce temps permettra à la cuisson de se terminer.

## Connexion électrique

**Si la tension de la ligne d'alimentation électrique ou de la prise de courant** est inférieure à la tension normale de 110 volts, le temps de cuisson peut être plus long. Demander à un électricien qualifié d'inspecter l'installation électrique.

# FAMILIARISATION DU FOUR À MICRO-ONDES

## Caractéristiques du four



Votre four à micro-ondes est conçu pour rendre votre expérience de cuisson aussi agréable et productive que possible. Pour vous aider à l'utiliser efficacement et rapidement, la liste suivante présente les caractéristiques principales du four :

- 1. Poignée de la porte.** Tirer pour ouvrir la porte.
- 2. Système de verrouillage de sécurité de la porte.** Le four ne peut pas fonctionner si la porte n'est pas bien fermée.
- 3. Hublot avec grille métallique.** La grille métallique empêche les micro-ondes de s'échapper. Il s'agit d'une grille comme un écran qui permet à l'utilisateur de voir les aliments dans le four au cours de la cuisson.
- 4. Grille de cuisson.** Utiliser cette grille pour avoir plus d'espace lorsqu'on désire faire cuire simultanément plus d'un plat. (Voir page 30).
- 5. Plateau tournant en verre.** ((N° de pièce 4393751) (non illustrée). Inclus dans la cavité du four – voir ci-dessous pour instructions d'installation. Le plateau tournant peut tourner les aliments au cours de la cuisson pour une cuisson plus égale. Il doit être dans le four au cours du fonctionnement pour les meilleurs résultats de cuisson.
- 6. Filtres au charbon de bois et à graisse.** Emballés dans la cavité du four au cours de l'expédition. (Voir page 31.)
- 7. Lampe de la table de cuisson/comptoir.** Utiliser cette lampe pour éclairer la table de cuisson ou le dessus du comptoir ou comme éclairage nocturne. (Voir page 12.)
- 8. Étiquette du guide de cuisson.** Utiliser ce guide comme référence rapide pour des fonctions variées du four.
- 9. Touches du ventilateur d'échappement d'air et d'éclairage de la table de cuisson.** (Voir page 12.)

**10. Tableau de commande.** Les touches de ce tableau commandent toutes les fonctions du four.

**11. Grille du ventilateur.**

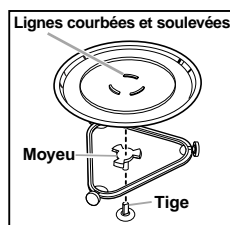
**12. Couvercle d'entrée des micro-ondes.** Ne pas enlever ou déranger.

**13. Lumière de la cavité du four.**

**14. Plaque signalétique des numéros de modèle et de série**

## Installation de la table tournante et du support :

- Enlever le ruban adhésif en tenant le moyeu pivotant (N° de pièce 4393754) en place.
- Placer le support (N° de pièce 4393752) sur le fond de la cavité.

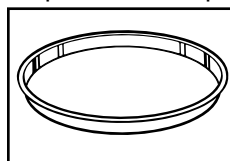


- Placer le plateau tournant sur le moyeu. S'assurer que les lignes soulevées et courbées au centre de la base de la table tournante sont entre les trois "prolongements" du moyeu.
- Les roulettes (N° de pièce 4393753) sur le support devrait convenir à l'intérieur du rebord à la base de la table tournante.

- La table tournante tourne dans le sens horaire et antihoraire. Ceci est normal.

## Plat pour les aliments croustillants :

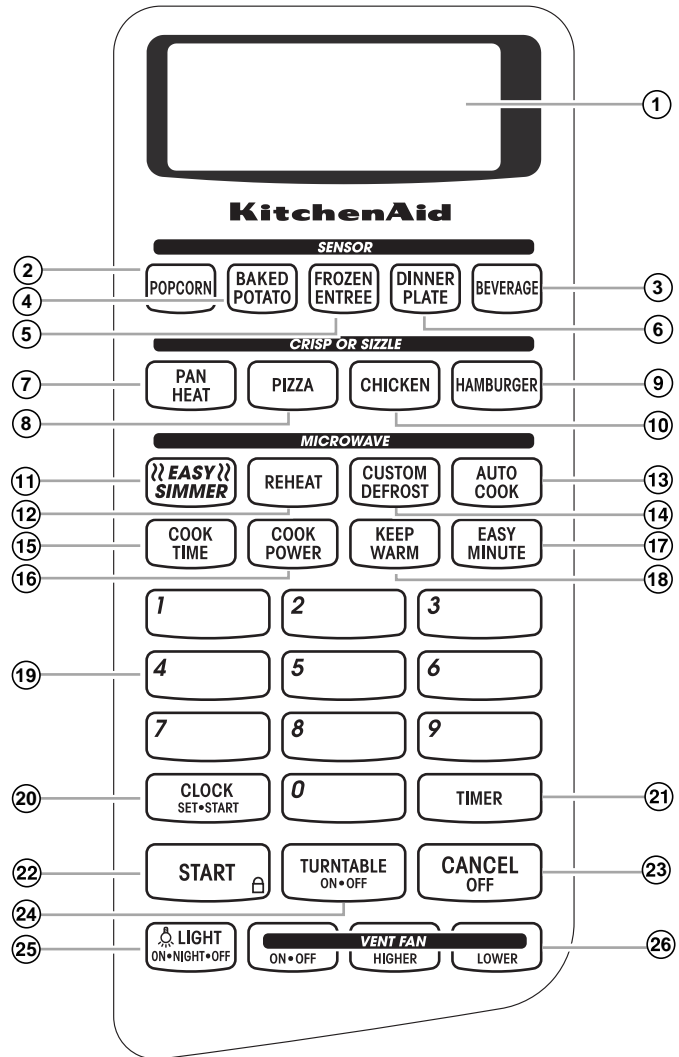
Ce plat de concept spécial pour four à micro-ondes (N° de pièce 4393536) vous permet de cuire des pizzas croustillantes, des poulets grillés, des aliments frits pour le petit déjeuner comme des oeufs et des saucisses, ou pour préparer des hamburgers juteux.



## Caractéristiques du tableau de commande

# FAMILIARISATION DU FOUR À MICRO-ONDES

1. **Afficheur.** L'afficheur comprend une horloge et des indicateurs qui identifient l'heure du jour, les réglages de temps de cuisson et les fonctions de cuisson que vous avez choisies.
2. **POPCORN (Maïs soufflé).** Appuyer sur cette touche pour faire éclater un de trois grandeurs de sacs de maïs soufflé, sans entrer une puissance ou un temps de cuisson. Le détecteur du four indiquera au four le temps de cuisson selon la quantité d'humidité détectée du maïs soufflé. (Voir page 27.)
3. **BEVERAGE (Réchauffage de boisson - liquide).** Appuyer sur cette touche pour chauffer 1 ou 2 tasses (250 – 500 mL) de boisson, sans entrer une puissance ou un temps de cuisson. Le détecteur du four indiquera au four le temps de cuisson selon la quantité d'humidité détectée de la boisson. (Voir page 27.)
4. **BAKED POTATO (Pomme de terre au four).** Appuyer sur cette touche pour commander la cuisson de 1 à 4 pommes de terre, sans entrer une puissance ou un temps de cuisson. Le détecteur du four indiquera au four le temps de cuisson selon la quantité d'humidité détectée de la ou des pomme(s) de terre. (Voir page 27.)
5. **FROZEN ENTREE (Mets surgelé).** Appuyer sur cette touche pour commander la cuisson d'un mets surgelé de 10 ou 20 onces (284 – 567 g), sans entrer une puissance ou un temps de cuisson. Le détecteur du four indiquera au four le temps de cuisson selon la quantité d'humidité détectée du mets surgelé. (Voir page 27.)
6. **DINNER PLATE (Assiettée d'aliments).** Appuyer sur cette touche pour chauffer une assiettée d'aliments, sans entrer une puissance ou un temps de cuisson. Le détecteur du four indiquera au four le temps de cuisson selon la quantité d'humidité détectée de l'aliment. (Voir page 27.)
7. **PAN HEAT (Chauffage de plat à cuisson).** Appuyer sur cette touche pour préchauffer un plat à cuisson, sans entrer une puissance ou un temps de cuisson. (Voir page 28.)
8. **PIZZA.** Appuyer sur cette touche pour chauffer l'une des trois tailles de pizza, sans entrer un temps de cuisson. Appuyer sur COOK POWER (puissance de chauffage) pour ajuster le résultat de cuisson. (Voir page 28.)
9. **HAMBURGER.** Appuyer sur cette touche pour commander la cuisson de 1 à 4 hamburgers, sans entrer un temps de cuisson. Appuyer sur COOK POWER (puissance de chauffage) pour ajuster le résultat de cuisson. (Voir page 28.)
10. **CHICKEN (Poulet).** Appuyer sur cette touche pour commander la cuisson de 1 à 4 morceaux de poulet, sans entrer un temps de cuisson. Appuyer sur COOK POWER (puissance de chauffage) pour ajuster le degré de cuisson. (Voir page 28.)



11. **EASY SIMMER (Mijotage facile).** Appuyer sur cette touche pour faire mijoter soupe, mets en sauce, ragoûts et autres aliments liquides. (Voir page 21.)
12. **REHEAT (Réchauffage).** Appuyer sur cette touche pour réchauffer des aliments qui vont au four à micro-ondes sans entrer des temps et des puissances de chauffage. (Voir page 22.)
13. **AUTO COOK (Cuisson automatique).** Appuyer sur cette touche pour faire cuire des aliments qui vont au four à micro-ondes sans entrer des temps et des puissances de chauffage. (Voir page 20.)
14. **CUSTOM DEFROST (Décongélation)** Appuyer sur cette touche pour commander la décongélation d'aliments, sans entrer des temps et des puissances de chauffage. (Voir page 23.)
15. **COOK TIME (Temps de cuisson).** Appuyer sur cette touche suivie par des touches numériques pour établir des temps de cuisson. (Voir pages 15, 16, 17 et 18.)

# FAMILIARISATION DU FOUR À MICRO-ONDES

## Caractéristiques du tableau de commande (suite)

- 16. COOK POWER (Puissance de chauffage).** Appuyer sur cette touche après le réglage du temps, puis sur une touche numérique pour régler la quantité de puissance du four à micro-ondes utilisée pour cuire l'aliment. Appuyer aussi sur cette touche pour prolonger ou diminuer un temps de cuisson pré-réglé. (Voir pages 16, 17 et 18).
- 17. EASY MINUTE (Minute Facile)** Appuyer sur cette touche pour faire cuire pendant une minute à 100% de la puissance de chauffage ou pour prolonger le temps de cuisson par une minute. (Voir page 30.)
- 18. KEEP WARM (Garder au chaud).** Appuyer sur cette touche pour garder au chaud des aliments cuits dans votre four à micro-ondes. On peut utiliser KEEP WARM indépendamment ou pour suivre automatiquement un programme de cuisson. (Voir page 26).
- 19. Touches numériques.** Appuyer sur les touches numériques pour entrer les temps de cuisson, les puissances de chauffage, les quantités, les poids ou les catégories d'aliments.
- 20. CLOCK SET/START (Réglage/mise en marche de l'horloge).** Appuyer sur cette touche pour entrer l'heure correcte du jour.
- 21. TIMER (Minuterie).** Appuyer sur cette touche pour régler ou annulez la minuterie.
- 22. START (Mise en marche).** Appuyer sur cette touche pour commander la mise en marche d'une fonction.
- 23. CANCEL/OFF (Annulation/arrêt).** Appuyer sur cette touche pour annuler une commande incorrecte, pour annuler un programme durant la cuisson ou pour effacer l'affichage.
- 24. TURNTABLE ON/OFF (Mise en marche/arrêt du plateau tournant).** Appuyer sur cette touche pour faire tourner et arrêter le plateau tournant. (Voir page 12.)
- 25. LIGHT ON/NIGHT/OFF (Allumage/Veilleuse/Éteindre).** Appuyer sur cette touche pour allumer la lumière ou la veilleuse ou pour les éteindre. (Voir page 12.)
- 26. VENT FAN ON/OFF higher or lower (Ventilateur en fonction ou arrêté, vitesse plus rapide ou plus lente).** Appuyer sur cette touche pour mettre le ventilateur en fonction ou pour l'arrêter. (Voir page 12.)

### REMARQUES :

- Si vous avez entré tous les réglages pour une fonction mais n'avez pas appuyé sur START/ENTER en moins de 5 secondes, l'indicateur lumineux START? apparaîtra.
- Pour des fonctions non soumises au détecteur, si vous ouvrez la porte pendant que le four est en marche et ensuite vous fermez la porte dans l'intervalle de 15 minutes, l'indicateur lumineux START? apparaîtra. Appuyer sur START (mise en marche) pour continuer. Si vous ouvrez la porte lorsque la cuisson est soumise au détecteur, la cuisson est annulée et vous devez recommencer.
- Si vous choisissez une fonction mais ne touchez pas une autre touche de commande en moins de minute, l'afficheur revient à l'heure du jour et vous devez tout recommencer.

### Interruption de la cuisson

On peut interrompre le fonctionnement du four pendant un programme en ouvrant la porte. Le four cesse immédiatement de chauffer et la ventilateur s'arrête mais la lampe reste allumée. Pour reprendre la cuisson, fermer la porte et

### APPUYER SUR



### Si vous ne désirez pas continuer la cuisson :

- Fermer la porte et la lumière s'étendra.

### OU

- **APPUYER SUR**



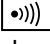
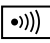
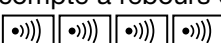
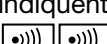
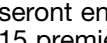

**REMARQUE :** Avant de régler une fonction, appuyer sur la touche CANCEL/OFF (Annulation/Arrêt) pour s'assurer qu'il n'y a pas d'autres fonctions en marche.

# FAMILIARISATION DU FOUR À MICRO-ONDES

## Caractéristiques du tableau de commande (suite)

### Signaux sonores

Votre four à micro-ondes est muni de signaux sonores qui peuvent vous guider lors du réglage et de l'utilisation de votre four :

-  Un signal de programme sera entendu chaque fois que vous appuyez sur une touche.
-  Un long signal sonore indique la fin d'un compte à rebours de la minuterie.
-  Quatre signaux sonores indiquent la fin d'un programme de cuisson.
-  Deux courts signaux sonores rapides seront entendus à chaque minute pendant les 15 premières minutes après la fin d'un signal de fin de cuisson comme rappel si l'aliment n'a pas été retiré du four.
-  Deux courts signaux sonores rapides seront entendus pendant que vous entrez une caractéristique dissimulée ou en sortez (par exemple, verrouillage de sécurité) ou l'heure du jour.
-  Trois signaux sonores seront entendus si vous avez fait une entrée incorrecte.

**Pour désactiver la programmation des signaux sonores :**

**APPUYER SUR**



**et tenir pendant 5 secondes**

**Pour remettre en marche la programmation des signaux sonores :**

**APPUYER SUR**



**et tenir pendant 5 secondes**

**Pour désactiver tous les signaux sonores à l'exception des signaux de fin de la minuterie et des caractéristiques dissimulées :**

**APPUYER SUR**



**et tenir pendant 5 secondes**

**Pour réactiver les signaux sonores :**

**APPUYER SUR**



**et tenir pendant 5 secondes**

**REMARQUE :** Deux signaux sonores seront entendus lorsque les signaux sonores sont activés ou désactivés.

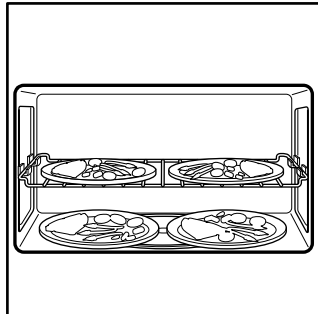


# FAMILIARISATION DU FOUR À MICRO-ONDES

## Caractéristiques du tableau de commande (suite)

### Pour chauffer plus d'une assiettée d'aliments

Lors du chauffage d'assiettées d'aliments avec un



temps de cuisson que vous réglez, vous pouvez chauffer deux assiettées de 10¼ po (26,7 cm) côte à côte ou un plat plus grand que le plateau tournant. Vous pouvez chauffer 2 autres assiettées sur la grille de cuisson pour un total possible de 4

assiettées. Pour obtenir des meilleurs résultats, à la mi-temps durant la cuisson, tourner les assiettées d'un demi cercle jusqu'à ce que l'aliment à l'avant soit à l'arrière. Agir ainsi lorsque vous chauffez un mets en sauce plus grand (9 à 13 po [23 à 33 cm]).

Pour faire chauffer 2 assiettées ensemble à la base ou un plat plus grand, le plateau tournant ne doit pas tourner. On peut arrêter le plateau tournant en appuyant sur la touche TURNTABLE

TURNTABLE  
ON•OFF

ON/OFF (Arrêt/Marche du plateau tournant). "TURNTABLE OFF" apparaît sur l'afficheur. Si vous appuyez sur la touche TURNTABLE ON/OFF avant de commencer à régler la fonction de cuisson, le four vous incitera à entrer un temps de cuisson sans le besoin pour vous d'appuyer sur COOK TIME (temps de cuisson). Votre plateau tournant sera réactivé lorsque la cuisson est terminée ou quand vous appuyez sur la touche CANCEL/OFF (annulation/arrêt).

**REMARQUE :** On ne peut pas arrêter le plateau tournant lorsqu'on utilise une fonction "auto".

## Utilisation du verrouillage de sécurité


Le verrouillage de sécurité immobilise le tableau de commande de sorte que les enfants ne peuvent pas utiliser le four à micro-ondes quand vous ne désirez pas qu'ils l'utilisent.

**Pour verrouiller le tableau de commande :**

**APPUYER SUR**



**et tenir pendant 5 secondes**


Deux signaux sonores seront entendus et  apparaîtra sur l'afficheur. Lorsque le tableau de commande est verrouillé, 3 signaux sonores seront entendus et le mot LOCK apparaîtra lorsqu'on appuie sur une touche à l'exception de EXHAUST FAN et LIGHT, les touches numériques 1 et 2, et START.

**Pour déverrouiller le tableau de commande :**

**APPUYER SUR**



**et tenir pendant 5 secondes**

Deux signaux sonores seront entendus et  sera effacé de l'afficheur.

## Utilisation de la caractéristique de démonstration/connaissance

Vous pouvez régler le four à micro-ondes pour afficher vos commandes alors que vous les entrez sans activer le magnétron. Cette caractéristique vous aide à apprendre comment utiliser votre four sans réellement cuire des aliments.

**Pour régler la caractéristique démonstration/connaissance :**

**APPUYER SUR**



**et tenir pendant 5 secondes**

Deux signaux sonores seront entendus et un petit "d" apparaîtra sur l'afficheur.

**Pour annuler la caractéristique démonstration/connaissance :**

**APPUYER SUR**



**et tenir pendant 5 secondes**

Deux signaux sonores seront entendus et le petit "d" disparaîtra de l'afficheur.

# FAMILIARISATION DU FOUR À MICRO-ONDES

## Utilisation du ventilateur de l'évent

Les touches au bas à droite du tableau de commande, commandent le ventilateur à 5 vitesses.

### REMARQUES :

- Deux secondes après la dernière fois où l'on touche VENT FAN, l'afficheur retourne à l'affichage précédent.
- La première fois que vous mettez le ventilateur en marche après avoir branché le four à micro-ondes au courant électrique, le ventilateur commencera à la vitesse 1. La prochaine fois que le ventilateur est mis en marche, il commencera à la dernière vitesse utilisée.

1. Mettre le ventilateur en marche et choisir la vitesse du ventilateur.

Appuyer sur la touche "HIGHER" (plus vite) pour augmenter la vitesse du ventilateur. Appuyer sur la touche "LOWER" (plus lente) pour la vitesse du ventilateur. L'afficheur indiquera "FAN" et un numéro de 1 à 5 pour indiquer les vitesses du ventilateur.

**REMARQUE :** Si la température devient trop chaude au voisinage du four à micro-ondes ou de la table de cuisson au-dessous du four, le ventilateur de la hotte se mettra automatiquement en marche au réglage HIGH (vite) pour protéger le four. **Le ventilateur peut continuer à fonctionner jusqu'à une heure de temps pour refroidir le four. Dans ce cas, la touche VENT FAN (ventilateur) n'arrêtera pas le ventilateur.**

### APPUYER SUR



2. Arrêter le ventilateur si désiré.

### APPUYER SUR



## Utilisation de la lampe de la table de cuisson/comptoir

La touche à la base à gauche du tableau de commande commande la lumière de la surface de cuisson/comptoir.

1. Allumer la lumière.

### APPUYER SUR



(une fois pour la lumière régulière, deux fois pour la veilleuse)

2. Éteindre la lumière si désiré.

### APPUYER SUR



(1 ou 2 autres fois, selon le réglage de la lumière)

# FAMILIARISATION DU FOUR À MICRO-ONDES

## Réglage de l'horloge

Lors du branchement initial du four à micro-ondes, ou après une panne de courant, l'afficheur affichera " : ". Si l'heure du jour n'est pas réglée, " : " clignotera jusqu'au moment où l'on appuie sur une touche.

### REMARQUES :

- Si on appuie sur une heure incorrecte et on appuie sur CLOCK (Horloge), 3 signaux sonores seront entendus. Entrer l'heure correcte.
- Si on appuie sur CANCEL/OFF (Annulation/Arrêt) pendant le réglage de l'horloge, l'afficheur indiquera la dernière heure du jour réglée.
- Pour arrêter l'horloge, appuyer sur CLOCK SET/START (Réglage/Mise en marche de l'horloge), touche numéro 0, et de nouveau sur la touche CLOCK SET/START, l'heure réglée s'effacera et " : " apparaîtra sur l'afficheur.

1. Appuyer sur CLOCK SET/START.

### APPUYER SUR



### AFFICHAGE

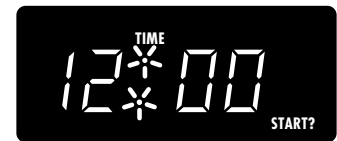


2. Entrer l'heure correcte.  
Exemple pour 12:00 :

### APPUYER SUR



### AFFICHAGE



3. Appuyer sur la touche START  
ou la touche CLOCK SET/START.

### APPUYER SUR



OU



### AFFICHAGE



# FAMILIARISATION DU FOUR À MICRO-ONDES

## Utilisation de la minuterie

On peut utiliser le four à micro-ondes comme minuterie de cuisine. Utiliser la minuterie pour des durées jusqu'à 99 minutes, 99 secondes.

**REMARQUE :** Le four peut fonctionner pendant que la minuterie est utilisée. Pour voir la minuterie pendant que le four cuit, appuyer sur TIMER (Minuterie).

1. Appuyer sur TIMER.

APPUYER SUR



AFFICHAGE



2. Entrer la durée de la période du compte à rebours.

Exemple pour 1 minute, 30 secondes :

**REMARQUE :** Si vous entrez plus de 4 chiffres, les 4 premiers chiffres disparaîtront et les chiffres suivants apparaîtront du côté droit alors que vous les entrez.

APPUYER SUR



AFFICHAGE



3. Commencer le compte à rebours.

**REMARQUE :** Si vous n'exécutez pas cette étape dans l'intervalle de 5 secondes après l'étape 2, "START?" apparaîtra. Vous avez alors 1 minute pour appuyer sur TIMER ou START avant que l'afficheur retourne à l'heure du jour.

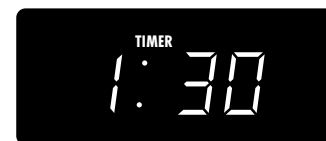
APPUYER SUR



OU



AFFICHAGE



À la fin du compte à rebours :

AFFICHAGE



(un long signal sonore sera entendu)

### Pour annuler la minuterie :

Durant le compte à rebours :

APPUYER SUR



OU



AFFICHAGE



(heure du jour)

# UTILISATION DU FOUR À MICRO-ONDES

On présente dans cette section les instructions pour utiliser chaque fonction. Lire attentivement ces instructions.

## Cuisson à la puissance maximale

1. Placer le mets dans le four et fermer la porte.

2. Appuyer sur COOK TIME.

APPUYER SUR



AFFICHAGE



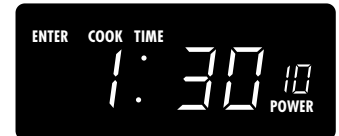
3. Entrer le temps de cuisson.

Exemple pour 1 minute, 30 secondes :

APPUYER SUR



AFFICHAGE

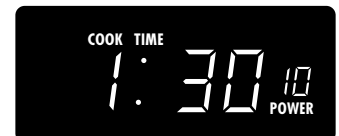


4. Mettre le four en marche.

APPUYER SUR



AFFICHAGE



À la fin du temps de cuisson :

AFFICHAGE



(quatre signaux sonores seront entendus)

### Changement d'instructions

On peut changer le temps de cuisson à tout moment au cours de la cuisson en répétant les étapes 2, 3, et 4.

# UTILISATION DU FOUR À MICRO-ONDES

## Cuisson à différentes puissances

Pour obtenir les meilleurs résultats, certaines recettes demandent différentes puissances de chauffage. Chaque touche numérique indique aussi un pourcentage différent de la puissance de chauffage. De nombreuses recettes de cuisine au micro-ondes vous indiquent par numéro, par pourcentage ou par le nom quelle puissance de chauffage à employer. Le tableau suivant indique les pourcentages de chauffage qui correspondre aux

touches numériques, et l'appellation habituellement utilisée pour chaque niveau de puissance. Le tableau indique aussi quand utiliser chaque niveau de puissance de chauffage. Suivre les instructions de la recette ou de l'étiquette d'emballage des produits, si disponibles.

**REMARQUE :** Se référer à un livre de recettes fiable pour les temps de cuisson.

PUSSANCE DE CHAUFFAGE	APPELATION	UTILISATION
10=100% de la puissance maximale (automatique)	Haute	<ul style="list-style-type: none"><li>• Réchauffage rapide d'aliments contenant beaucoup d'eau, tels que soupes, boissons et légumes</li></ul>
9=90% de la puissance maximale		<ul style="list-style-type: none"><li>• Cuisson de petits morceaux tendres de viande, viande hachée, morceaux de poulet et filets de poissons</li><li>• Chauffage de soupes en crème</li></ul>
8=80% de la puissance maximale		<ul style="list-style-type: none"><li>• Réchauffage de riz, pâtes alimentaires ou plats en sauce remuable</li><li>• Cuisson et chauffage d'aliments qui demandent une puissance de chauffage moindre que maximale (p. ex. poisson entier et pain de viande)</li></ul>
7=70% de la puissance maximale	Moyenne-haute	<ul style="list-style-type: none"><li>• Réchauffage d'une seule portion d'aliments</li></ul>
6=60% de la puissance maximale		<ul style="list-style-type: none"><li>• Cuisson nécessitant une attention spéciale, comme les plats à base de fromage et d'oeufs, poudings et crème anglaise</li><li>• Cuisson de plats en sauce non remuable (ex. lasagne)</li></ul>
5=50% de la puissance maximale	Moyenne	<ul style="list-style-type: none"><li>• Cuisson de jambon, volaille en entier et rôtis</li><li>• Mijotage des ragoûts</li></ul>
4=40% de la puissance maximale		<ul style="list-style-type: none"><li>• Pour fondre la chocolat</li><li>• Chauffage du pain, des brioches et des pâtisseries</li></ul>
3=30% de la puissance maximale	Moyenne-basse, Décongélation	<ul style="list-style-type: none"><li>• Décongélation d'aliments comme pain, poisson, viande, volaille et mets précuits</li></ul>
2=20% de la puissance maximale		<ul style="list-style-type: none"><li>• Amollissement du beurre, fromage et crème glacée</li></ul>
1=10% de la puissance maximale	Basse	<ul style="list-style-type: none"><li>• Maintien d'aliments au chaud</li><li>• Éliminer le froid des fruits</li></ul>

**REMARQUE :** Une fois que le temps de cuisson a été entré, on peut aussi utiliser la touche COOK POWER (puissance de chauffage) comme deuxième minuterie en entrant "0" pour la puissance de chauffage. Le four comptera à rebours le temps de cuisson que vous avez réglé sans cuisson.

# UTILISATION DU FOUR À MICRO-ONDES

## Cuisson à différentes puissances (suite)

1. Placer le mets dans le four et fermer la porte.

2. Appuyer sur COOK TIME.

APPUYER SUR



AFFICHAGE



3. Entrer le temps de cuisson.  
Exemple pour 7 minutes, 30 secondes :

APPUYER SUR



AFFICHAGE



4. Régler la puissance de chauffage.

APPUYER SUR



AFFICHAGE



Exemple pour 50% de la puissance de chauffage :

APPUYER SUR



OU



AFFICHAGE



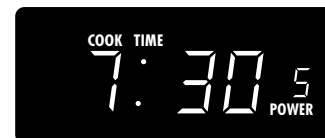
(répéter jusqu'à ce que la puissance de chauffage désirée apparaisse)

5. Mettre le four en marche.

APPUYER SUR



AFFICHAGE



À la fin du temps de cuisson :

AFFICHAGE



(quatre signaux sonores seront entendus)

### Changement d'instructions

On peut changer le temps de cuisson ou la puissance de chauffage à tout moment au cours de la cuisson en répétant les étapes 2, 3 et/ou 4 et 5.

# UTILISATION DU FOUR À MICRO-ONDES

## Cuisson par étapes

Pour l'obtention de meilleurs résultats, certaines recettes demandent une puissance de chauffage pendant une certaine durée de temps, et une autre puissance de chauffage pendant une autre durée de temps. Le four peut être réglé pour passer de l'une à l'autre puissance automatiquement, jusqu'à 3 étapes.

On peut régler les fonctions de cuisson choisies selon tout ordre. Toutefois, lorsqu'on utilise CUSTOM DEFROST (Décongélation sur commande), cette fonction doit être la première étape.

**REMARQUE :** On ne peut pas faire cuire par détecteur si on utilise la cuisson par étapes.

1. Placer l'aliment dans le four et fermer la porte.

2. Appuyer sur COOK TIME.

APPUYER SUR



AFFICHAGE

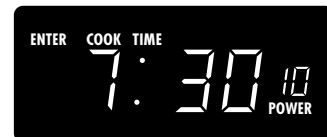


3. Entrer le temps de cuisson pour la première étape.  
Exemple pour 7 minutes, 30 secondes :

APPUYER SUR



AFFICHAGE

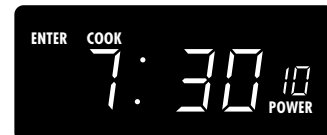


4. Régler la puissance de chauffage la première étape.

APPUYER SUR



AFFICHAGE



Exemple pour 50% de la puissance de chauffage :

APPUYER SUR



OU



AFFICHAGE



(répéter jusqu'à ce que la puissance de cuisson désirée apparaisse)

5. Répéter les étapes 2, 3 et 4 pour régler le temps de cuisson et la puissance de chauffage pour chaque étape additionnelle.



# UTILISATION DU FOUR À MICRO-ONDES

## Cuisson par étapes (suite)

6. Mettre le four en marche.

**APPUYER SUR**



**AFFICHAGE**



(première étape, lors de la cuisson à 2 étapes)

À la fin du temps de la première étape, l'étape ou les étapes suivante(s) compteront à rebours.

À la fin du temps de cuisson :

**AFFICHAGE**



(quatre signaux sonores seront entendus)

### Changement d'instructions

On peut changer les temps de cuisson ou les puissances de chauffage pour une étape à tout moment après que l'étape commence, en répétant les étapes 2, 3 et/ou 4 et 5.

# UTILISATION DU FOUR À MICRO-ONDES

## Utilisation de AUTO COOK (Cuisson automatique)

Vous pouvez cuire des aliments aux micro-ondes tout simplement en choisissant une catégorie et une quantité. AUTO COOK a des temps et des puissances de chauffage pré-réglés pour 5 catégories (voir tableau ci-dessous).

Pour utiliser AUTO COOK, suivre les étapes ci-dessous :

1. Appuyer sur



une fois

Affichage



2. Appuyer sur AUTO COOK 1 à 5 fois pour choisir le type d'aliments.



Exemple pour les légumes en boîtes

deux fois

OU

Appuyer sur une touche numérique pour choisir le type d'aliments.

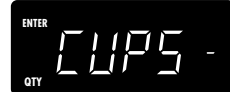


Exemple pour les légumes en boîtes

Affichage



Exemple pour les légumes en boîtes



3. Appuyer sur 1 ou plusieurs autres touches numériques pour entrer la quantité. Cette étape ne sera pas requise pour le réglage pour le riz.



Exemple pour 1 tasse (250 mL)

Affichage



Exemple pour 1 tasse (250 mL)

4. Appuyer sur



Affichage



(le compte à rebours peut varier)

### REMARQUES :

- Si vous n'entrez pas une quantité en moins de 2 secondes, AUTO COOK vous incitera à choisir une quantité. Vous avez alors 1 minute pour entrer une quantité et appuyer sur START (Mise en marche). À défaut de le faire, AUTO COOK sera annulé.
- Si vous appuyez 6 fois sur la touche AUTO COOK, l'afficheur retourne au réglage pour le riz.
- Si vous avez besoin de plus ou de moins de temps de cuisson, ne pas toucher de nouveau AUTO COOK. Appuyer sur COOK POWER (Puissance de chauffage) avant de toucher à START (Mise en marche). (Voir "Changement des temps de cuisson pré-réglés" à la section "Utilisation du four à micro-ondes".)
- Lors de la cuisson du bacon, considérer que les différences dans la teneur de gras, de la viande, de l'épaisseur et du traitement affecteront la façon dont le bacon est cuit. Également, le bacon tranché ordinairement, donne en moyenne 16 tranches par livre.

Ce tableau vous montre comment choisir un type d'aliment et les quantités que vous pouvez choisir pour chaque type.

ALIMENT	APPUYER SUR AUTO COOK*	OU	APPUYER SUR TOUCHE NUMÉRIQUE	QUANTITÉS QU'ON PEUT CHOISIR
Riz (détecteur)	1 fois		1	0.5 à 2 tasses (125 à 500 mL)**
Bacon	2 fois		2	1 à 6 tranches, épaisseur moyenne
Céréales (instantanées)	3 fois		3	1 à 4 portions
Pain doré (congelé)	4 fois		4	1 à 4 morceaux
Légumes en boîtes	5 fois		5	1 à 4 tasses (250 mL à 1L)
Légume frais	6 fois		6	1 à 4 tasses (250 mL à 1L)**
Légumes congelés	7 fois		7	1 à 4 tasses (250 mL à 1L)**

\* Vous devez appuyer sur AUTO COOK une fois avant de choisir le type d'aliments.

\*\*Puisque cet aliment est cuit par détection, vous n'avez pas à entrer une quantité. La quantité indiquée ici est la quantité que vous pouvez faire cuire. Après avoir choisi le type d'aliment et après avoir appuyé sur la touche START, "SENSE" (Détection) apparaît sur l'afficheur. Aussi, le détecteur a besoin de 2 minutes, 30 secondes pour se réchauffer après la connexion du four à un courant électrique ou après une panne d'électricité. Si vous commencez la cuisson par détection au cours de la période de réchauffage, "SENSE" apparaîtra sur l'afficheur jusqu'à ce que la période de réchauffage soit terminée. L'énergie des micro-ondes ne sera pas activée avant que le détecteur soit tiède.

# UTILISATION DU FOUR À MICRO-ONDES

## Utilisation de EASY SIMMER (Mijotage facile)

Votre four à micro-ondes vous permet de faire mijoter des soupes, mets en sauce, ragoûts et autres aliments liquides. Il suffit de sélectionner un temps de mijotage et votre four portera vos aliments à ébullition, puis maintiendra la température de mijotage pour toute la durée spécifiée de l'opération.

### REMARQUES :

- Cette fonction met en oeuvre un détecteur qui nécessite une période de réchauffage de 2 minutes et 30. On ne peut pas changer la puissance de chauffage ou le résultat de cuisson pour EASY SIMMER.
- Cette fonction met en oeuvre un détecteur qui nécessite une période de réchauffage de 2 minutes et 30 secondes lorsque le four est connecté au courant électrique ou après une panne d'électricité. Si on met en marche EASY SIMMER (Mijotage facile) durant la période de réchauffage, l'énergie des micro-ondes ne sera pas activée avant que le détecteur se soit réchauffé.
- Pour la cuisson de légumes, augmenter la quantité d'eau à  $\frac{1}{4}$  à  $\frac{1}{2}$  tasse (63 à 125 mL) d'eau.
- Recouvrir le plat avec un couvercle dur (ex. : le couvercle qui vient avec le plat ou une assiette). Ne pas utiliser d'enveloppe de plastique.

1. Placer le mets dans le four et fermer la porte.

2. Appuyer sur la touche EASY SIMMER.

APPUYER SUR



AFFICHAGE



3. Appuyer sur les touches numériques pour entrer le temps de mijotage.  
Exemple pour 30 minutes :

APPUYER SUR



AFFICHAGE



4. Appuyer sur START.  
Le four portera l'aliment à ébullition.

APPUYER SUR



AFFICHAGE



L'aliment mijotera alors pendant le temps que vous avez réglé.

AFFICHAGE



### Lors du mijotage d'aliments comme les pâtes alimentaires

Utiliser un récipient qui peut contenir assez d'eau pour couvrir complètement l'aliment lors de la cuisson, comme par exemple une casserole de 12 tasses (3 L) avec un couvercle. Lors de la cuisson de pâtes alimentaires ou de nouilles, ajouter 1 c. à soupe (14,8 mL) d'huile à l'eau avant de faire bouillir. Utiliser la méthode suivante.

Placer le contenant avec l'eau dans le four et suivre les étapes 2 à 4, en réglant le temps de mijotage à 1 seconde. À la fin du signal, placer l'aliment dans l'eau et remuer jusqu'à ce qu'il soit complètement recouvert par l'eau. Couvrir. Répéter les étapes 2 à 4 en réglant le temps de mijotage que vous voulez.

### Changement d'instructions

On peut changer le temps de mijotage pendant le mijotage en répétant les étapes 3 et 4.

# UTILISATION DU FOUR À MICRO-ONDES

## Utilisation de REHEAT (Réchauffage)

On peut réchauffer les aliments au four à micro-ondes tout simplement en choisissant une catégorie et une quantité. REHEAT a des temps et des puissances de chauffage pré-réglés pour 4 catégories (voir tableau ci-dessous).

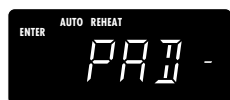
Pour utiliser REHEAT, suivre les étapes ci-dessous :

1. Appuyer sur



une fois

Affichage



2. Appuyer sur REHEAT 1 à 5 fois pour choisir le type d'aliments.



Exemple pour mets en sauce

3 fois

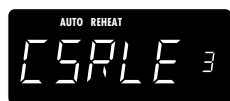
OU

Appuyer sur une touche numérique pour choisir le type d'aliment



Exemple pour mets en sauce

Affichage



Exemple pour mets en sauce



3. Appuyer sur une touche numérique pour entrer la quantité.



Exemple pour 1 tasse (250 mL)

Affichage

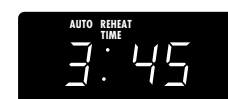


Exemple pour 1 tasse (250 mL)

4. Appuyer sur



Affichage



(le compte à rebours peut varier)

### REMARQUES :

- Si vous n'entrez pas une quantité en moins de 2 secondes, REHEAT vous incitera à choisir une quantité. Vous avez alors 1 minute pour entrer une quantité et appuyer sur START (Mise en marche). À défaut de le faire, REHEAT sera annulé.
- Si vous appuyez 5 fois sur la touche REHEAT, l'afficheur retourne au réglage pour tranche de pizza.
- Si vous avez besoin de plus ou de moins de temps de cuisson, ne pas toucher de nouveau REHEAT. Appuyer sur COOK POWER (Puissance de chauffage) avant de toucher à START. (Voir "Changement des temps de cuisson pré-réglés" à la section "Utilisation du four à micro-ondes".)
- Lors du réchauffage d'un gros muffin (4 oz [113 g]) ou d'un bagel, utiliser le réglage pour 2 pièces. Le réglage pour 1 pièce réchauffe un muffin ou bagel de grosseur régulière ou 2 petites brioches.

Ce tableau vous montre comment choisir un type d'aliment et les quantités que vous pouvez choisir pour chaque type.

ALIMENT	APPUYER SUR AUTO REHEAT* OU	APPUYER SUR TOUCHE NUMÉRIQUE	QUANTITÉS QU'ON PEUT CHOISIR
Tranche de pizza**(détecteur)	1 fois	1	1 à 3 tranches, 5 oz (127 g) chacune
Sauce** (détecteur)	2 fois	2	1 à 4 tasses (250 mL à 1L)
Mets en sauce	3 fois	3	1 à 4 tasses (250 mL à 1L)
Aliments cuits	4 fois	4	1 à 6 morceaux, 2 oz (56 g) chacun
Soupe**	5 fois	5	1 à 4 tasses (250 mL à 1L)

\* Vous devez appuyer sur REHEAT une fois avant de choisir le type d'aliments.

\*\* Après avoir choisi le type d'aliments et la quantité et après avoir appuyé sur START, "SENSE" (Détection) apparaît sur l'afficheur. Aussi, l'afficheur a besoin de 2 minutes, 30 secondes pour se réchauffer après la connexion du four à un courant électrique ou après une panne d'électricité. Si vous commencez la cuisson par détection au cours de la période de réchauffage, "SENSE" apparaîtra sur l'afficheur jusqu'à ce que la période de réchauffage soit terminée. L'énergie des micro-ondes ne sera pas activée avant que le détecteur soit tiède.

# UTILISATION DU FOUR À MICRO-ONDES

## Utilisation de CUSTOM DEFROST (Décongélation sur commande)

On peut décongeler des aliments en choisissant une catégorie et un réglage du poids. La fonction CUSTOM DEFROST a des temps et des puissances de chauffage pré-réglés pour 3 catégories (voir tableau ci-dessous).

Pour utiliser CUSTOM DEFROST, suivre les étapes ci-dessous :

### 1. Appuyer sur



une fois

Affichage



### 2. Appuyer sur CUSTOM DEFROST 1 à 3 fois pour choisir le type d'aliments.



Exemple pour les viandes

une fois

OU

Appuyer sur une touche numérique pour choisir le type d'aliment



Exemple pour les viandes

Affichage



Exemple pour les viandes



### 3. Appuyer sur une ou des touches numériques pour entrer le poids.



Exemple pour for 1,1 lbs (0,5 kgs)

deux fois

Affichage



Exemple pour for 1,1 lbs (0,5 kgs)

Ce tableau vous indique comment choisir un type d'aliment et les poids que vous pouvez régler pour chaque type.

ALIMENTS	APPUYER SUR CUSTOM DEFROST*	OU	APPUYER SUR TOUCHE NUMÉRIQUE	POIDS QUE VOUS POUVEZ RÉGLER (dixièmes d'une livre)
Viandes	1 fois		1	0,1 to 6,6 (45 g - 3 kgs)
Volaille	2 fois		2	0,1 to 6,6 (45 g - 3 kgs)
Poisson	3 fois		3	0,1 to 4,4 (45 g - 2 kgs)

\* Vous devez appuyer sur CUSTOM DEFROST une fois avant de choisir le type d'aliments.

### 4. Appuyer sur



Affichage



(le compte à rebours peut varier)

### REMARQUES :

- Si vous n'entrez pas un poids en moins de 2 secondes, CUSTOM DEFROST vous incitera à entrer un poids. Vous avez alors 1 minute pour entrer un poids et pour appuyer sur START (Mise en marche). À défaut de le faire, la fonction CUSTOM DEFROST sera annulée.
- Si vous entrez un poids plus élevé que le poids le plus élevé accordé pour votre réglage d'aliments, trois signaux sonores se feront entendre et "RETRY" (Essayez de nouveau) apparaît sur l'afficheur lorsque vous appuyez sur START.
- Si vous appuyez sur CUSTOM DEFROST 4 fois, l'afficheur retourne au réglage pour les viandes.
- Si vous avez besoin de plus ou de moins de temps de décongélation, ne pas appuyer de nouveau sur CUSTOM DEFROST. Appuyer sur COOK POWER (Puissance de chauffage) avant d'appuyer sur START. (Voir "Changement des temps de cuisson pré-réglés" à la section "Utilisation du four à micro-ondes".)
- Voir le tableau de décongélation sur commande plus loin dans cette section pour les directives de décongélation pour chaque aliment.
- Pour décongeler des articles non indiqués sur le Tableau de décongélation sur commande, utiliser 30% de la puissance de chauffage. Se référer à un livre de recettes fiable pour des renseignements au sujet de la décongélation.

### Pour une décongélation égale et complète

- La forme de l'emballage affecte la rapidité de décongélation des aliments. Les emballages minces se décongèlent plus rapidement qu'un bloc épais.
- Alors que l'aliment commence à se décongeler, le séparer en morceaux. Les morceaux séparés se décongèlent plus également.
- Utiliser de petits morceaux de papier d'aluminium pour protéger des parties d'aliments telles que les ailes de poulet, bouts des cuisses, queues de poissons, ou endroits qui commencent à devenir tièdes. S'assurer que le papier d'aluminium ne touche pas les côtés, le sommet ou le fond du four.

# UTILISATION DU FOUR À MICRO-ONDES

## Tableau de décongélation sur commande

### Réglage pour les viandes

ALIMENT	INSTRUCTIONS SPÉCIALES
<b>Boeuf</b>  Boeuf haché, vrac Boeuf haché, pâtés  Steak de ronde, steak de filet, pot-au-feu, rôti de paleron, rôti de côtes, rôti roulé  Ragoût de boeuf	<p>La viande en formes irrégulières et les gros morceaux gras de viande devraient avoir les surfaces étroites ou grasses protégées avec du papier d'aluminium au début d'un programme de décongélation.</p> <p>Ne pas décongeler moins de 1/4 lb (113 g). Ne pas décongeler moins de deux pâtés de 4 oz (113 g).</p> <p>Placer sur une grille de rôtissage pour micro-ondes.</p> <p>Placer sur un plat à cuisson pour micro-ondes.</p>
<b>Agneau</b> En cubes pour ragoût Côtelettes (épaisseur 1 po [25,4 mm])	<p>Placer dans un plat à cuisson pour micro-ondes.</p> <p>Placer sur un plat de rôtissage pour micro-ondes.</p>
<b>Porc</b> Côtelette (épaisseur ½ po [12,7 mm]) Hot Dogs, côtes, style campagnard, rôti de, longe (désossé), saucisses en chapelet Saucisse, vrac	<p>Placer sur une grille de rôtissage pour micro-ondes.</p> <p>Placer sur une grille de cuisson au four pour micro-ondes.</p>

### Réglage pour poisson

ALIMENT	INSTRUCTIONS SPÉCIALES
<b>Poisson</b>  Filets Steaks Poisson entier	<p>Placer dans un plat à cuisson, pour micro-ondes. Séparer soigneusement les filets sous l'eau froide.</p> <p>Placer dans un plat à cuisson, pour micro-ondes. Faire couler l'eau froide sur le produit pour terminer la décongélation.</p> <p>Placer dans un plat à cuisson, pour micro-ondes. Couvrir la tête et la queue avec une feuille d'aluminium; ne pas laisser la feuille d'aluminium toucher les parois du four à micro-ondes. Terminer la décongélation par immersion dans de l'eau froide.</p>
<b>Crustacés et mollusques</b> Viande de crabe Queues de homard Crevettes Pétoncles	<p>Placer dans un plat à cuisson, pour micro-ondes.</p>

# UTILISATION DU FOUR À MICRO-ONDES

## Tableau de décongélation sur commande (suite)

### Réglage pour volaille

ALIMENT	INSTRUCTIONS SPÉCIALES
<b>Poulet</b> Poulet entier (jusqu'à 9½ lb [4,3 kg])  Morceaux	Placer le poulet (poitrine vers le haut) sur immersion dans de l'eau froide. Retirer les abats lorsque le poulet est partiellement décongelé. Placer sur une grille de rôtissage pour micro-ondes. Terminer la décongélation par immersion dans de l'eau froide.
<b>Poule de Cornouailles</b> Entière	Placer sur une grille de rôtissage pour micro-ondes. Terminer la décongélation par immersion dans de l'eau froide.
<b>Dinde</b> Poitrine (moins de 6 lb [2,7 kg])	Placer sur une grille de rôtissage pour micro-ondes. Terminer la décongélation par immersion dans de l'eau froide.

### Conseils pour la décongélation

- Lors de l'utilisation de la fonction CUSTOM DEFROST, il faut entrer le poids net (le poids de l'aliment moins le poids de l'emballage). Entrer le poids au plus proche de ¼ lb (45 g).
- Utiliser uniquement la fonction CUSTOM DEFROST pour des produits alimentaires crus. CUSTOM DEFROST donne les meilleurs résultats lorsque l'aliment à décongeler est complètement gelé. Si l'aliment est partiellement décongelé, régler toujours le poids de l'aliment plus bas (pour une durée plus courte de décongélation) afin d'empêcher de cuire l'aliment.
- Pour l'obtention de meilleurs résultats, un temps de décongélation pré-réglé est compris dans le temps de décongélation. Ceci peut faire sembler le temps de décongélation plus long que prévu.

### Tableau de conversion des poids

Vous avez probablement l'habitude de lire les poids en livres et en onces qui sont des fractions de livre (p. ex. 4 onces = ¼ lb [113 g]). Cependant, pour entrer le poids d'un aliment au réglage CUSTOM DEFROST, on doit indiquer le poids en livres et en dixièmes de livre.

Si le poids indiqué sur l'emballage est exprimé en fraction de livre, on peut utiliser le tableau ci-dessous pour effectuer la conversion en valeur décimale.

VALEUR DÉCIMALE	POIDS ÉQUIVALENTS EN ONCES	POIDS ÉQUIVALENTS EN GRAMMES
.10	1.6	45
.20	3.2	91
.25 ¼ Pound (Quart de livre)	4.0	113
.30	4.8	136
.40	6.4	181
.50 ½ Pound (Demi-livre)	8.0	227
.60	9.6	272
.70	11.2	318
.75 ¾ Pound (Trois quarts de livre)	12.0	340
.80	12.8	363
.90	14.4	408
1.00 One Pound (Une livre)	16.0	454

# UTILISATION DU FOUR À MICRO-ONDES

## Utilisation de KEEP WARM (Garder au chaud)

### **⚠️ AVERTISSEMENT**

#### Risque d'empoisonnement alimentaire

**Ne pas laisser des aliments dans un four plus d'une heure avant ou après la cuisson.**

**Le non-respect de cette instruction peut causer un empoisonnement alimentaire ou une maladie.**

On peut garder au chaud, des aliments cuits dans votre four à micro-ondes.

#### REMARQUES :

- L'ouverture de la porte du four annule la fonction KEEP WARM. Fermer la porte et appuyer sur KEEP WARM, ensuite appuyer sur START si un temps additionnel est désiré pour garder l'aliment au chaud.
- Les aliments cuits sous couvercle doivent demeurer couverts pendant le programme Keep Warm.
- Les produits de pâtisserie (tartes, chaussons, etc.) ne devraient pas être couverts pendant la période Keep Warm.
- Des repas complets gardés tièdes sur une assiette doivent être recouverts pendant la période Keep Warm.
- Ne pas utiliser Keep Warm pendant plus d'un programme complet. La qualité de certains aliments pourrait être affectée par une prolongation.

1. Placer l'aliment cuit chaud dans le four et fermer la porte.

2. Appuyer sur la touche KEEP WARM.

#### APPUYER SUR



#### AFFICHAGE



3. Mettre le four en marche.

#### APPUYER SUR



#### AFFICHAGE



### Pour faire le réglage KEEP WARM automatiquement à la suite d'un autre programme :

- Lorsque vous entrez les instructions de cuisson, appuyer sur KEEP WARM avant d'appuyer sur START ou durant la cuisson.
- À la fin de la dernière période de cuisson du programme, vous entendrez deux signaux sonores. Le mot "GARDER" apparaîtra pendant que le four continue à fonctionner.



# UTILISATION DU FOUR À MICRO-ONDES

## Cuisson par détecteur

Durant le chauffage et la cuisson, les aliments émettent de l'humidité. La quantité de vapeur d'eau émise dépend de divers facteurs, comme quantité, température et forme des aliments. Votre four à micro-ondes comporte un détecteur qui détecte cette humidité. Ceci détermine alors la durée de la période de chauffage ou de cuisson. On peut cuire par détecteur lors de la préparation d'un des 8 types d'aliments. Il suffit d'appuyer sur la touche pour l'aliment qu'on souhaite chauffer ou cuire (voir tableau ci-dessous).

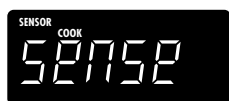
### Pour la cuisson par détection :

#### 1. Appuyer sur la touche Sensor.



Exemple pour  
pomme de terre au four

Affichage



(jusqu'à ce que le  
temps de cuisson  
est estimé)



("MAX" apparaît  
à toutes  
les 3 secondes)

### REMARQUES :

- Il n'est pas nécessaire d'appuyer sur START pour mettre le four en marche. Le four commencera la cuisson/le chauffage lorsque vous appuyez sur l'une des touches Sensor.

Ce tableau vous montre comment choisir un type d'aliment et les quantités que vous pouvez choisir pour chaque type.

TOUCHE	INSTRUCTIONS	QUANTITÉ
<b>Popcorn* (Maïs soufflé)</b>	Faire souffler 1 sac à la fois. Si vous utilisez un appareil pour maïs soufflé aux micro-ondes, suivre les instructions du fabricant.	3.5 oz, 3.0 oz, 1.75 oz (99 g, 85 g, 50 g)
<b>Baked Potato (Pommes de terre au four)</b>	Avant la cuisson au four, rappelez-vous de percer la pomme de terre plusieurs fois avec une fourchette. Après la cuisson, laisser la pomme de terre reposer pendant 5 minutes pour terminer la cuisson.	1 to 4 pommes de terre (10 oz to 13 oz [284 à 567g] each)
<b>Frozen Entree (Mets congelé)</b>	Dégager le recouvrement pour la ventilation.	10- ou 20-oz (284 à 567 g)
<b>Dinner Plate (Assiettée)</b>	Placer les aliments à chauffer sur une assiette ou un plat semblable. Recouvrir avec enveloppe de plastique et aérer.	1 portion (ou 1 assiette) (0.5 à 1 lb [227 à 454 g])
<b>Beverage* (Boisson)</b>	Ne pas recouvrir. La forme de la tasse affectera comment le contenu chauffe – si étroit et long, le contenu peut être plus chaud; si plus d'espace existe ouvert au sommet (p.ex. 1 tasse [250 mL]) à mesurer pour 1 tasse, le contenu peut être plus frais.	1 ou 2 8-tasses de 8 oz (250 à 500 mL)

\*L'afficheur ne montre pas le temps de cuisson pour ce réglage. "SENSE" demeure sur l'afficheur jusqu'à ce que la cuisson est achevée.

- Si vous avez besoin de plus ou de moins de temps de cuisson, ne pas appuyer de nouveau sur la touche Sensor choisi. Appuyer sur COOK POWER (Puissance de chauffage) dans l'intervalle de 20 secondes après avoir choisi le type d'aliment. (Voir "Changement des temps de cuisson pré-réglés" à la section "Utilisation du four à micro-ondes"). Vous ne pouvez pas changer le temps de cuisson pré-réglé pour la fonction POPCORN (Maïs soufflé.)
- Le détecteur a besoin de 2 minutes, 30 secondes pour se réchauffer après la connexion du four au courant électrique ou après une panne d'électricité. Si vous commencez la cuisson par détection durant la période de réchauffage, "SENSE" apparaît sur l'afficheur jusqu'à ce que le temps de réchauffage soit achevé. L'énergie des micro-ondes ne sera pas activée avant que le détecteur soit tiède.
- Lorsque les aliments sont cuits pendant une période prolongée, laisser le four se refroidir avant de faire de nouveau la cuisson par détection.

### Les marques de maïs soufflé font une différence

La qualité de la cuisson de votre maïs dépendra de la marque de maïs soufflé et de la quantité de matières grasses dans le maïs. Essayer plusieurs marques pour décider laquelle éclate le mieux. Pour obtenir les meilleurs résultats, utiliser des sacs de maïs frais.

# UTILISATION DU FOUR À MICRO-ONDES

## Utilisation de CRISP OR SIZZLE (Croustillage ou grillage)

La caractéristique PAN HEAT combinée avec le réglage CRISP OR SIZZLE, emploie un plat à cuisson pour brunir, croustiller et griller des aliments dans un four à micro-ondes. La fonction PAN HEAT réchauffe le plat à cuisson jusqu'à 410°F en environ 3 minutes. Pendant que les micro-ondes chauffent l'aliment en provenance du sommet, la chaleur chauffe aussi le plat très rapidement à la base pour brunir et rendre croustillants les aliments.

**IMPORTANT :** Vous devez utiliser PAN HEAT avant d'utiliser les autres caractéristiques CRISP OR SIZZLE.

### Pour utiliser PAN HEAT

#### 1. Appuyer sur PAN HEAT une fois

PAN HEAT

Le plat se réchauffera d'avance pendant 3 minutes.

### Pour utiliser PIZZA

#### 1. Use PAN HEAT

#### 2. Appuyer sur

PIZZA

- 1 fois pour pizza de 7" (17,78 cm)
- 2 fois pour pizza de 9" (22,86 cm)
- 3 fois pour pizza de 12" (30,48 cm)

3. Appuyer sur COOK POWER pour ajuster le temps de cuisson pour un résultat de cuisson plus ou moins cuit.

COOK POWER

4. Appuyer sur la touche START pour mettre la cuisson en marche. (Si vous n'appuyez pas sur START dans l'intervalle de 5 secondes après l'étape 2, la cuisson commencera automatiquement.)

START

### Pour utiliser CHICKEN

#### 1. Utiliser PAN HEAT

#### 2. Appuyer sur

CHICKEN

- 1 fois - 1 morceau
- 2 fois - 2 morceau
- 3 fois - 3 morceau
- 4 fois - 4 morceau

3. Appuyer sur COOK POWER pour ajuster le temps de cuisson pour un résultat de cuisson plus ou moins cuit.

COOK POWER

4. Appuyer sur la touche START pour mettre la cuisson en marche. (Si vous n'appuyez pas sur START dans l'intervalle de 5 secondes après l'étape 2, la cuisson commencera automatiquement.)

START

### Pour utiliser la touche HAMBURGER

#### 1. Utiliser PAN HEAT

#### 2. Appuyer sur

HAMBURGER

- 1 fois - 1 hamburger
- 2 fois - 2 hamburgers
- 3 fois - 3 hamburgers
- 4 fois - 4 hamburgers

3. Appuyer sur COOK POWER pour ajuster le temps de cuisson pour un résultat de cuisson plus ou moins cuit.

COOK POWER

#### 4. Appuyer sur la touche START

pour mettre la cuisson en marche. (Si vous n'appuyez pas sur START dans l'intervalle de 5 secondes après l'étape 2, la cuisson commencera automatiquement.)

START

### Utilisation du plat

**REMARQUE :** Utiliser le plat seulement lorsque le plateau tournant est activé.

- Utiliser la poignée de plastique pour saisir et enlever le plat du four.
- Ne pas utiliser des ustensiles de plastique dans le plat. Le plat devient très chaud très rapidement et pourrait faire fondre ces ustensiles.
- Ne pas utiliser des ustensiles métalliques susceptibles d'érafler le plat.
- Ne pas utiliser le plat dans un autre four à micro-ondes ou dans un four thermique.
- On doit toujours utiliser le plateau tournant comme support pour le plat.
- Enduire le plat légèrement d'huile à cuisson pour rendre l'enlèvement des aliments et le nettoyage plus faciles.

### Nettoyage du plat

Laver le plat au lave-vaisselle ou dans une eau savonneuse douce. Éviter l'emploi d'un produit de nettoyage abrasif ou produit de récurage.

# UTILISATION DU FOUR À MICRO-ONDES

## Utilisation de EASY MINUTE (Minute facile)

La fonction EASY MINUTE vous permet de cuire l'aliment pendant une minute à la puissance maximale de chauffage ou d'ajouter une minute de plus à votre programme de temps de cuisson. Vous pouvez aussi utiliser cette fonction pour prolonger les programmes de temps de cuisson en multiples de 1 minute, jusqu'à 99 minutes.

### REMARQUES :

- Pour prolonger les programmes de temps de cuisson en multiples de 1 minute, appuyez sur EASY MINUTE plusieurs fois durant la cuisson.
- Après avoir fermé la porte, vous pouvez entrer la fonction EASY MINUTE sans avoir à appuyer sur START.

- Si vous appuyez sur la touche EASY MINUTE durant la cuisson, le four fera cuire à la puissance de chauffage couramment choisie. Si vous appuyez sur la touche EASY MINUTE après la fin de la cuisson, le four cuira à la puissance de chauffage maximale. Vous pouvez aussi changer la puissance de chauffage après avoir appuyé sur EASY MINUTE en appuyant sur COOK POWER, les touches numériques pour la nouvelle puissance de chauffage et START.
- Vous pouvez utiliser EASY MINUTE seulement pour la fonction de temps de cuisson.

1. S'assurer que l'aliment est dans le four.

2. Appuyer sur la touche EASY MINUTE.  
Exemple pour la cuisson pour 1 minute.

### APPUYER SUR



### AFFICHAGE



## Changement des temps de cuisson pré-réglés

Si un temps de cuisson pré-réglé est trop long ou trop court, vous pouvez prolonger ou raccourcir le temps de cuisson après avoir choisi AUTO COOK, REHEAT, CUSTOM DEFROST ou SENSOR (excepté pour le réglage POPCORN). Pour une fonction automatique, vous pouvez seulement changer les

temps de cuisson après la quantité d'aliments, mais avant que la cuisson ne commence. Pour la cuisson à détection, vous pouvez seulement changer les temps de cuisson dans les 20 secondes du choix du type d'aliment.

Par exemple, dans la fonction REHEAT, après avoir choisi le type d'aliments et après avoir entré la quantité :

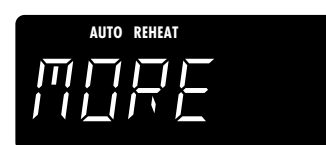
Pour prolonger le temps de cuisson :

### APPUYER SUR



une fois

### AFFICHAGE



(exemple pour réchauffage automatique)

Pour raccourcir le temps de cuisson :

### APPUYER SUR



deux fois

### AFFICHAGE



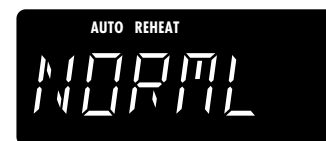
Pour remettre en marche le temps de cuisson original :

### APPUYER SUR



trois fois

### AFFICHAGE



# UTILISATION DU FOUR À MICRO-ONDES

## Utilisation du papier d'aluminium

On ne doit pas utiliser un récipient métallique dans un four à micro-ondes. Il y a cependant certaines exceptions. Lorsqu'on achète un aliment ou mets pré-emballés dans un récipient en aluminium, voir les instructions indiquées sur l'emballage. Lors de l'emploi de contenants en papier d'aluminium, le temps de cuisson peut être plus long parce que les micro-ondes ne pénètrent que le dessus de l'aliment.

Dans le cas de récipients en aluminium qui ne sont pas accompagnés d'instructions, observer les directives suivantes :

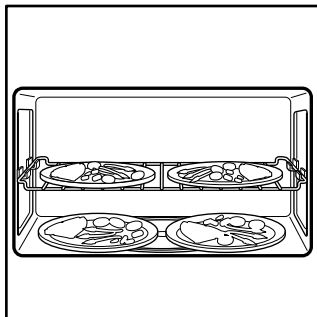
- **Placer** le récipient dans un bol en verre et ajouter un peu d'eau pour recouvrir le fond du récipient, pas plus de ¼ po (6.35 mm) de hauteur. Ceci permettra un chauffage uniforme du fond du récipient.
- **Toujours** le couvercle pour éviter que le four subisse des dommages.
- **Utiliser uniquement** des récipients non endommagés.
- **Ne pas utiliser** des récipients de hauteur supérieure à ¾ po (19 mm).
- **Le récipient doit** être au moins à moitié rempli.
- **Pour éviter les étincelles**, il faut qu'il y ait un espace d'au moins ¼ po (6.35 mm) entre le récipient en aluminium et les parois du four, et également entre deux récipients en aluminium.
- **Toujours placer** le contenant sur le plateau tournant.
- **Le réchauffage d'aliments** dans des récipients en aluminium est généralement deux fois plus long que pour le réchauffage dans un récipient en plastique, verre, porcelaine ou papier. Le temps de cuisson est également très variable.
- **Prévoir un temps** de repos de 2 à 3 minutes après la cuisson afin que la chaleur se répartisse uniformément dans tout le récipient.

## Cuisson à ne pas faire dans un four à micro-ondes

- **Ne pas** préparer de conserves dans le four. Les pots en verre fermés peuvent exploser et faire subir des dommages au four, et éventuellement provoquer des blessures.
- **Ne pas** utiliser le four pour la stérilisation d'objets comme biberons, etc. Il est difficile de maintenir la température élevée nécessaire pour une bonne stérilisation.

## Utilisation de 2-4 assiettes

Lors de la cuisson d'aliments avec temps de cuisson sélectionné par l'utilisateur, vous pouvez faire chauffer deux assiettes de 10 ¼ po (25,5 cm) côte à côte, ou bien une assiette plus grande sur le plateau tournant et deux assiettes sur la grille de cuisson. Pour obtenir les meilleurs résultats, vers le milieu de la période de



cuisson, faire pivoter les assiettes d'un demi-tour. Procéder de même pour le réchauffage du contenu d'un grand plat de 9 à 13 po (23 à 33 cm). Pour le chauffage du contenu de 4 assiettes, permuter les assiettes entre le bas et le haut lorsque vous les tournez.

Pour chauffer deux assiettes côte à côte au bas du four, ou bien une assiette plus grande, il ne faut pas que le plateau tournant tourne. Arrêter le plateau tournant en appuyant sur TURNTABLE ON/OFF (Plateau tournant marche/arrêt). Le message "TURNTABLE OFF" apparaît sur l'afficheur. APPUYER pour entrer le réglage.



1. APPUYER SUR la touche First Screen (Premier écran); FAIRE TOURNER pour sélectionner "2-4 assiettes", et APPUYER.
2. FAIRE TOURNER pour sélectionner le nombre d'assiettes, et APPUYER.
3. Placer les assiettes dans le four selon l'illustration (à gauche). APPUYER pour commander la mise en marche.

**REMARQUE :** Vous ne pouvez pas choisir l'arrêt du plateau tournant durant les fonctions de cuisson automatique.

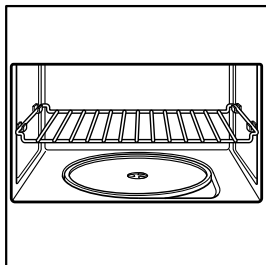
# UTILISATION DU FOUR À MICRO-ONDES

## Utilisation de la grille de cuisson

La grille de cuisson permet une meilleure utilisation de l'espace disponible pour la cuisson simultanée du contenu de plusieurs récipients.

### Insertion de la grille

Placer correctement la grille sur ses supports (sur les parois latérales du four).



### REMARQUES :

- Utiliser la grille de cuisson uniquement lorsque la cuisson se fait à plus d'un niveau.
- Utiliser la grille seulement dans le four à micro-ondes.
- Ne pas laisser le récipient placé sur la grille, toucher le plafond ou les parois du four.
- Ne pas utiliser la grille avec le plat de brunissement.
- Ne pas placer un récipient métallique sur la grille.
- Ne pas remettre la grille métallique dans le four. Ne pas faire fonctionner le four lorsque la grille est placée sur le fond du four; ceci pourrait faire subir des dommages à la finition intérieure du four.
- Utiliser des mitaines de four pour enlever les articles du four à micro-ondes.
- Ne pas faire cuire des aliments directement sur la grille. Les placer d'abord dans des contenants qui vont au four à micro-ondes.

## Installation et entretien des filtres

On doit fréquemment enlever et nettoyer les filtres à graisse, au moins une fois par mois.

**REMARQUE :** L'ensemble de four à micro-ondes combiné avec hotte est fourni avec un filtre au charbon qui purifie l'air recyclé. **On ne peut pas nettoyer le filtre au charbon; on doit le remplacer à intervalles de 6 à 12 mois.**

Vous pouvez commander des remplacements (N° de pièce 4393690) en composant le **1-800-807-6777** et en suivant les instructions et les renseignements donnés au téléphone.

Si vous le préférez, vous pouvez consulter notre site Internet à l'adresse :

[www.kitchenaid.com/canada](http://www.kitchenaid.com/canada)

### ⚠ AVERTISSEMENT



#### Risque de choc électrique

**Déconnecter la source de courant électrique avant de retirer les filtres.**

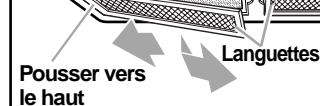
**Replacer tous les panneaux avant de faire la remise en marche.**

**Le non-respect de ces instructions peut causer un décès ou un choc électrique.**

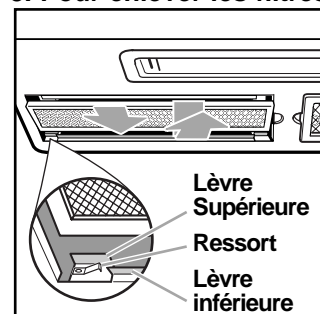
### Enlèvement, nettoyage et réinstallation

1. Déconnecter le four à micro-ondes ou interrompre l'alimentation électrique.

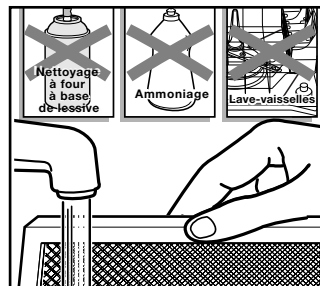
2. **Pour retirer les filtres à graisse** (N° de pièce 4393691) de pousser chaque filtre vers le côté opposé à la languette. Saisir la languette et faire glisser le filtre vers le côté. Tirer le filtre vers le bas. Le filtre sortira.



3. **Pour enlever les filtres au charbon**, pousser l'arrière de chaque filtre en l'éloignant de vous. Cette action fera glisser l'avant du filtre hors de la lèinférieure. Abaisser le devant du filtre vers le bas, et extraire le filtre.

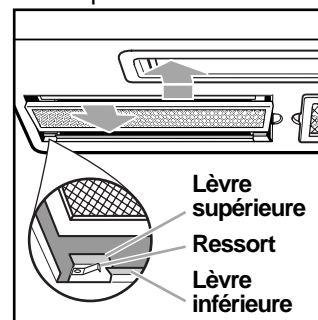


4. **Faire tremper les filtres à graisse dans de l'eau chaude et un détergent doux.** Frotter et l'agiter dans l'eau pour éliminer la saleté et la graisse incrustées. Bien rincer, et secouer. **Ne pas utiliser d'ammoniaque, d'agents de nettoyage**

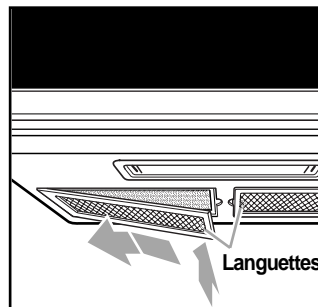


**à four corrosifs tels que les produits de nettoyage à base de lessive, et ne pas placer les filtres dans un lave-vaisselle. Le filtre deviendra noir et pourrait être endommagé.**

5. **Pour réinstaller les filtres au charbon**, pousser chaque filtre vers l'arrière de l'ouverture, entre les lèvre supérieure et inférieure, contre les ressorts. Abaisser le devant du filtre contre la lèvre supérieure. Faire glisser le filtre vers l'avant tout en le poussant contre la lèvre supérieure. Le filtre sera maintenant tenu en place entre les lèvres, par le ressort.



6. **Pour réinstaller les filtres à graisse**, slide each filter faire glisser chaque filtre dans le côté extérieur de l'ouverture du filtre. S'assurer que vous glissez le côté du filtre qui n'a pas de languette. Tenir la languette avec l'autre main. Pousser le côté de la languette du filtre et le glisser de l'autre côté de l'ouverture pour le fixer en position.



7. Reconnecter l'alimentation électrique ou brancher le four à micro-ondes.

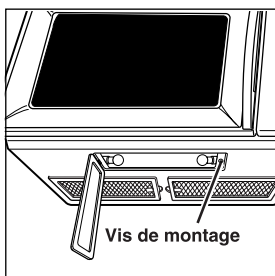
**REMARQUE :** Ne pas faire fonctionner le ventilateur d'aspiration lorsque les filtres à graisse ne sont pas en place.

# ENTRETIEN DU FOUR À MICRO-ONDES

## Remplacement des ampoules de la table de cuisson et du four

### Lampe d'illumination de la table de cuisson

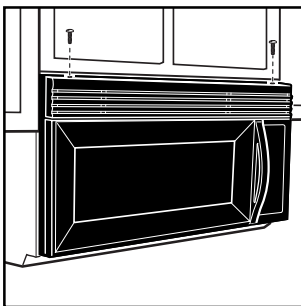
1. Déconnecter le four à micro-ondes ou interrompre l'alimentation électrique.
2. Ôter la vis de montage du cabochon; enlever prudemment le cabochon.



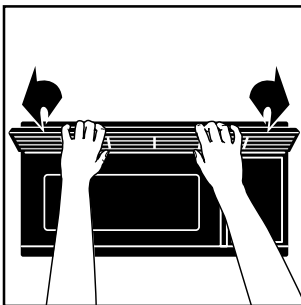
3. Enlever l'ampoule grillée; installer une ampoule halogène de basse tension 10 W (N° de pièce 8169418). Utiliser un linge doux pour manipuler les ampoules, ou porter un gant de coton. Ne pas toucher les ampoules avec les doigts nus.
4. Réinstaller le cabochon et la vis de montage.
5. Reconnecter l'alimentation électrique ou brancher le four à micro-ondes.

### Lampe du four

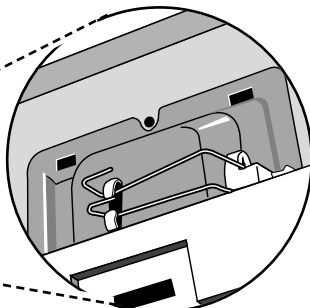
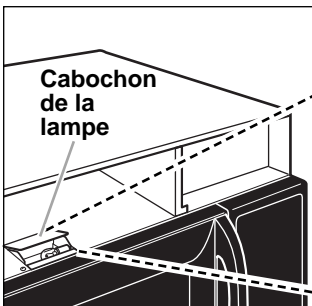
1. Déconnecter le four à micro-ondes ou interrompre l'alimentation électrique.
2. Ôter les deux vis de montage de la grille d'évent, au-dessus du couvercle (les deux vis externes).



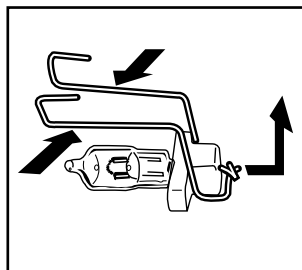
3. Faire basculer la grille vers l'avant, puis soulever pour enlever la grille.



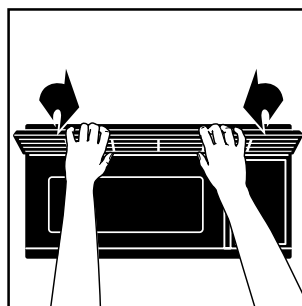
4. Soulever pour enlever le cabochon.



5. Enlever l'ampoule grillée en pinçant les agrafes métalliques et tirer vers la droite et soulever. Installer une ampoule halogène de basse tension de 10 W (N° de pièce 8169418). Utiliser un linge doux pour manipuler les ampoules, ou porter un gant de coton. Ne pas toucher les ampoules avec les doigts nus.



6. Rabattre le cabochon.



7. Insérer le sommet de la grille d'évent dans son logement. Pousser par-dessous pour exécuter l'emboîtement. Réinstaller les vis de montage.

8. Reconnecter l'alimentation électrique ou brancher le four à micro-ondes.

\* Pour commander les ampoules, composer le **1-800-807-6777** et suivre les instructions et renseignements donnés au téléphone.

Si vous le préférez, vous pouvez consulter notre site Internet à l'adresse :

**[www.kitchenaid.com/canada](http://www.kitchenaid.com/canada)**

# QUESTIONS ET RÉPONSES

QUESTIONS	RÉPONSES
Puis-je faire fonctionner le four à micro-ondes sans le plateau tournant, ou placer le plateau tournant à l'envers pour pouvoir y placer un plus grand plat?	On peut arrêter le plateau tournant pour faire chauffer 2 assiettes ou un plat plus grand que le plateau tournant. Toutefois, si on a besoin de chauffer une seule assiette sur le plateau tournant, maintenir le plateau tournant en marche pour obtenir un meilleur résultat de cuisson. Vous ne devez pas non plus placer le plateau tournant à l'envers. Une assiette utilisée sur le plateau tournant doit convenir sur la surface lorsque le plateau tournant est sur le bon côté.
Puis-je utiliser une grille dans mon four à micro-ondes afin de réchauffer ou cuire deux plats simultanément (sur deux niveaux)?	Vous pouvez utiliser seulement la grille fournie avec le four à micro-ondes. L'utilisation d'une grille qui n'est pas fournie avec le four à micro-ondes peut susciter une médiocre performance de cuisson et/ou la formation d'arcs.
Puis-je utiliser des ustensiles en métal ou en aluminium pour la cuisson aux micro-ondes?	Il est possible d'utiliser certains articles métalliques ou en aluminium, comme le papier d'aluminium, pour protéger certains aliments durant la cuisson (pour les aliments minces ou de petite taille), des petites brochettes ou des petites coupelles en aluminium (d'une profondeur de ¼ po (19 mm) remplies d'aliments qui absorberont l'énergie des micro-ondes). Ne jamais laisser des articles métalliques toucher les parois ou la porte.
Est-il normal que le plateau tournant puisse tourner dans un sens ou dans l'autre?	Oui. Le plateau tournant tourne dans le sens horaire ou antihoraire, selon la rotation du moteur lorsque le programme de cuisson commence.
Parfois, la porte de mon four à micro-ondes semble être ondulée; est-ce normal?	Cette apparence est normale, et elle n'affecte pas le fonctionnement du four.
Quelle est la cause du son de bourdonnement que j'entends lorsque mon four à micro-ondes fonctionne?	Il s'agit du son émis par le transformateur lors du fonctionnement du magnétron.
Pourquoi le plat s'échauffe-t-il lorsque j'en cuis le contenu aux micro-ondes? Je croyais que ceci ne se produisait pas.	Le contenu du plat s'échauffe et transmet de la chaleur au plat par conduction. Utiliser des mitaines de four pour enlever les aliments après la cuisson.
Pourquoi observe-t-on un rejet de vapeur par l'évent d'air?	De la vapeur est normalement générée au cours de la cuisson. Le four à micro-ondes est conçu pour qu'il évacue cette vapeur par l'évent supérieur.



La plupart des problèmes de cuisson sont souvent causés par de petits détails que l'on peut souvent découvrir et régler soi-même sans outillage. Voir la liste ci-dessous et à la page suivante avant de faire un appel pour assistance ou service. Si vous avez encore besoin d'aide, voir la section "Demande d'assistance ou de service".

## Le four à micro-ondes ne fonctionne pas

PROBLÈME	CAUSE
Rien ne fonctionne.	<ul style="list-style-type: none"> <li>• Brancher l'appareil sur une prise à 3 alvéoles reliée à la terre. (Voir "Spécifications électriques" à la page 5 et la section "Raccordement au réseau électrique" à la page 7.)</li> <li>• Un fusible du domicile est grillé ou un disjoncteur s'est ouvert.</li> <li>• Il y a eu une panne du réseau d'alimentation électrique.</li> </ul>
Le four à micro-ondes ne fonctionne pas.	<ul style="list-style-type: none"> <li>• Vous utilisez le four comme minuterie. Appuyer sur la touche CANCEL/OFF (Annulation/Arrêt) pour annuler la minuterie..</li> <li>• La porte n'est pas parfaitement fermée et enclenchée.</li> <li>• Vous n'avez pas appuyé sur la touche START (Mise en marche).</li> <li>• Vous n'avez pas exécuté exactement les instructions.</li> <li>• Une opération qui a été programmée antérieurement est encore en cours. Appuyer sur la touche CANCEL/OFF pour annuler cette fonction.</li> </ul>

## Temps de cuisson

PROBLÈME	CAUSE
Les aliments ne sont pas suffisamment cuits.	<ul style="list-style-type: none"> <li>• L'alimentation électrique dans votre foyer ou dans les prises de courant murales est faible ou plus faible que normalement. Votre compagnie d'électricité peut vous dire si le voltage est faible. Votre électricien ou technicien de service peut vous dire si le voltage de la prise est faible.</li> <li>• La puissance de cuisson n'est pas au réglage recommandé. Voir le tableau de la page 16.</li> <li>• Vous n'avez pas accordé assez de temps de cuisson pour la quantité d'aliments à cuire. Pour une quantité d'aliments plus grande, il faut sélectionner un temps de cuisson plus long.</li> </ul>
L'afficheur montre un compte à rebours mais le four ne cuit pas.	<ul style="list-style-type: none"> <li>• La porte du four n'est pas parfaitement fermée.</li> <li>• Vous avez réglé les commandes comme une minuterie. Appuyer sur la touche TIMER (Minuterie) ou CANCEL/OFF pour annuler la minuterie.</li> </ul>

## Plateau tournant

PROBLÈME	CAUSE
La plateau tournant ne tourne pas.	<ul style="list-style-type: none"><li>• Le plateau tournant a été désactivé. (Voir à la page 30 "Utilisation de 2-4 assiettes".)</li><li>• Le plateau tournant n'est pas correctement placé. Il doit être sur le bon côté à l'endroit et doit reposer fermement sur la tige du centre.</li><li>• Le support ne fonctionne pas correctement. Retirer le plateau tournant et remettre le four en marche. Si le support ne tourne pas, faire venir un technicien/dépanneur désigné pour la réparation. La cuisson sans le plateau tournant peut donner des résultats médiocres de cuisson.</li></ul>

## Signaux sonores

PROBLÈME	CAUSE
Vous n'entendez pas le signal sonore de programmation ou de fin de programme.	<ul style="list-style-type: none"><li>• Vous avez désactivé le signal sonore. (Voir à la page 10, la section "Signaux sonores".)</li></ul>

Si aucune de ces situations ne cause votre problème, voir "Demande d'assistance ou de service".

# DEMANDE D'ASSISTANCE OU DE SERVICE

Avant de faire un appel pour assistance ou service, veuillez vérifier la section "Dépannage". Cette action peut vous faire économiser le coût d'une visite de service. Si vous avez encore besoin d'assistance, suivre les instructions ci-dessous.

## Si vous avez besoin d'assistance :

**Téléphoner au Centre d'interaction avec la clientèle KitchenAid Canada sans frais d'interurbain, entre 8 h 30 et 17 h 30 (HNE) en composant le 1-800-461-5681. Nos consultants sont prêts à vous aider.**



Lors de l'appel :  
Veuillez connaître la date d'achat, le numéro e série et le numéro de modèle complets de l'appareil (voir la section "Note à l'intention de l'utilisateur"). Ces renseignements nous aideront à mieux répondre à votre demande.

## Si vous avez besoin service :

Contactez le service d'appareils ménagers Inglis Limited de n'importe où au Canada au **1-800-807-6777**.

## Pour plus d'assistance :

Si vous avez besoin de plus d'assistance, vous pouvez écrire à KitchenAid en soumettant toute question ou préoccupation au :

Centre d'interaction avec la clientèle  
KitchenAid Canada  
1901 Minnesota Court  
Mississauga, Ontario L5N 3A7

Veuillez indiquer dans votre correspondance un numéro de téléphone où l'on peut vous joindre le jour.

# NOTES

# GARANTIE DU FOUR À MICRO-ONDES

<b>DURÉE DE LA GARANTIE :</b>	<b>KITCHENAID CANADA PAIERA POUR :</b>
<b>GARANTIE COMPLÈTE DE DEUX ANS À COMPTER DE LA DATE D'ACHAT</b>	Coûts de remplacement des pièces et de la main-d'oeuvre pour réparation pour corriger les vices de matériau ou de fabrication. Le service doit être fourni par une compagnie de service désignée par KitchenAid.
<b>GARANTIE LIMITÉE DE LA TROISIÈME À LA CINQUIÈME ANNÉE INCLUSIVEMENT À COMPTER DE LA DATE D'ACHAT.</b>	Remplacement des pièces pour le tube magnétron du four à micro-ondes sur le four à micro-ondes pour corriger les vices de matériau ou de fabrication.
<b>KITCHENAID CANADA NE PAIERA PAS POUR :</b>	
<p><b>A.</b> Les visites d'entretien pour les raisons suivantes :</p> <ol style="list-style-type: none"> <li>1. Correction de l'installation du four à micro-ondes.</li> <li>2. Instructions de l'utilisateur du four quant à l'utilisation du four à micro-ondes.</li> <li>3. Remplacement des fusibles ou correction du câblage de la résidence.</li> <li>4. Service pour remplacer les ampoules accessibles par le client et les filtres.</li> </ol> <p><b>B.</b> Réparations lorsque le four est utilisé à des fins autres que domestiques.</p> <p><b>C.</b> Dommages causés par accident, modification, usage impropre, abus, incendie, inondation, actes de Dieu, installation inappropriée ou installation du produit non conforme aux codes locaux d'électricité ou l'utilisation de produits non approuvés par KitchenAid Canada.</p> <p><b>D.</b> Remplacement du filtre au charbon jetable et du plat à brunissement qui exigent des remplacements par suite de l'utilisation normale.</p> <p><b>E.</b> Tous frais de main-d'oeuvre pendant la période de garantie limitée.</p> <p><b>F.</b> Transport pour aller chercher et livrer l'appareil. Ce produit est conçu pour être réparé à la maison.</p> <p><b>G.</b> Réparations des pièces ou de systèmes imputables à des modifications non autorisées exécutées sur l'appareil.</p> <p><b>H.</b> Coûts des pièces de remplacement ou de la main-d'oeuvre de réparation pour les appareils fonctionnant hors du Canada.</p> <p><b>I.</b> Les dépenses de voyage ou de transport pour les clients qui habitent dans des régions éloignées.</p>	
3/00	

**KITCHENAID CANADA DÉCLINE TOUTE RESPONSABILITÉ AU TITRE DE DOMMAGES SECONDAIRES OU INDIRECTS.** Certaines provinces ne permettent pas l'exclusion ou la limitation des dommages secondaires ou indirects; par conséquent, cette exclusion ou limitation peut ne pas s'appliquer dans votre cas. Cette garantie vous confère des droits juridiques spécifiques; vous pouvez également jouir d'autres droits, variables d'une province à une autre.

**Hors du Canada, cette garantie ne s'applique pas. Contacter votre marchand KitchenAid autorisé pour déterminer si une autre garantie s'applique.**

Si vous avez besoin de service, consulter d'abord la section "Dépannage" de ce manuel. Après avoir vérifié la section "Dépannage", une aide additionnelle peut être trouvée en consultant la section "Demande d'assistance ou de service" ou en téléphonant au Centre d'interaction avec la clientèle en composant le **1-800-461-5681**, de partout au Canada.

## Free Manuals Download Website

<http://myh66.com>

<http://usermanuals.us>

<http://www.somanuals.com>

<http://www.4manuals.cc>

<http://www.manual-lib.com>

<http://www.404manual.com>

<http://www.luxmanual.com>

<http://aubethermostatmanual.com>

Golf course search by state

<http://golfingnear.com>

Email search by domain

<http://emailbydomain.com>

Auto manuals search

<http://auto.somanuals.com>

TV manuals search

<http://tv.somanuals.com>