



Service Manual

Built-in oven
AKZ130/WH

Model Version		Page
	AKZ130/WH	
	8585 130 42000	
	Spare part list	2
	Exploded view	3
	Wiring diagram	4
	Technical data	5

This documentation is only intended for qualified technicians who are aware of the respective safety regulations.

Date: 24.08.1999

Document-No.: 4812 725 11682

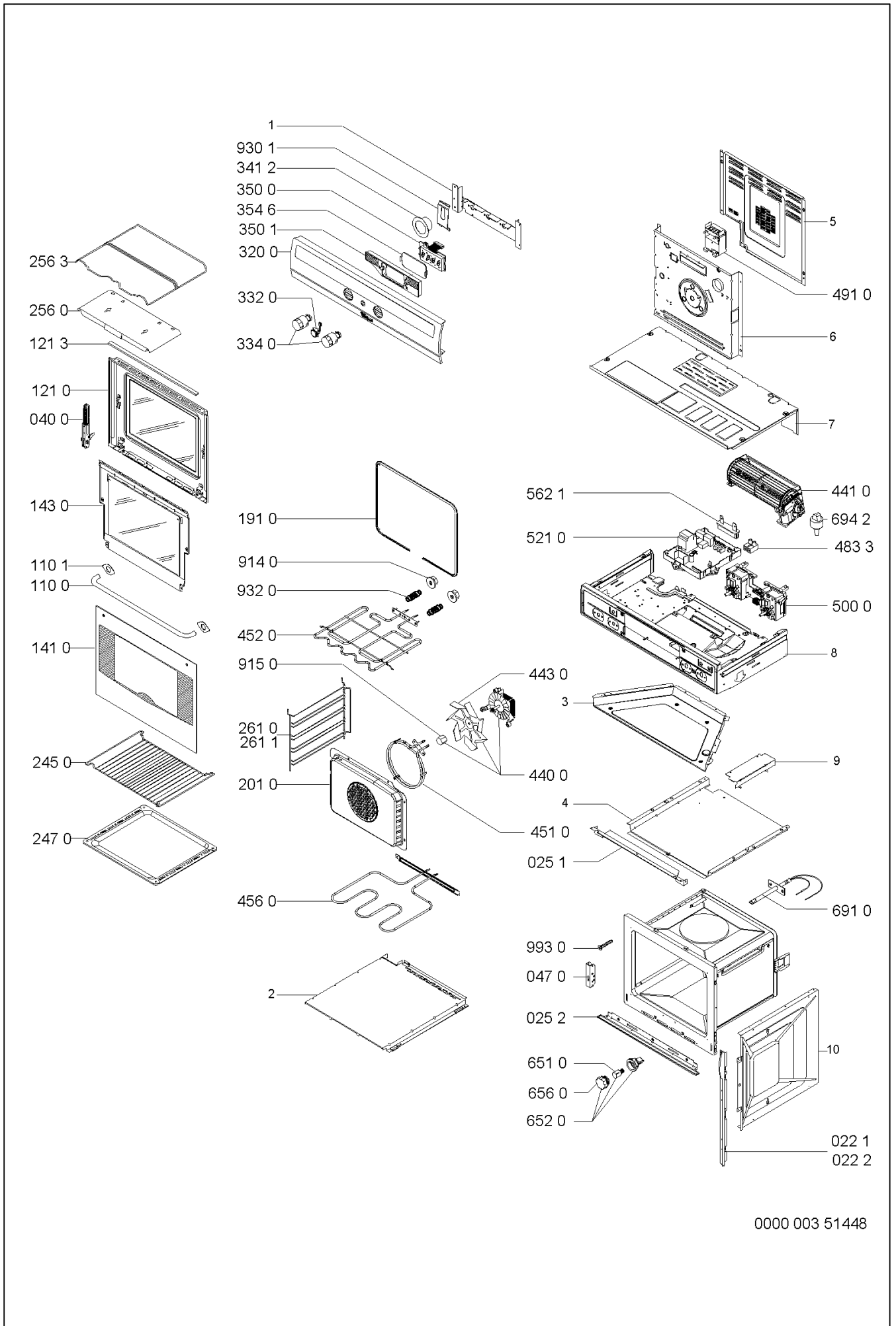
Subject to modification

Spare part list

Model AKZ130/WH
Service No. 858513042000
Version 858513042000

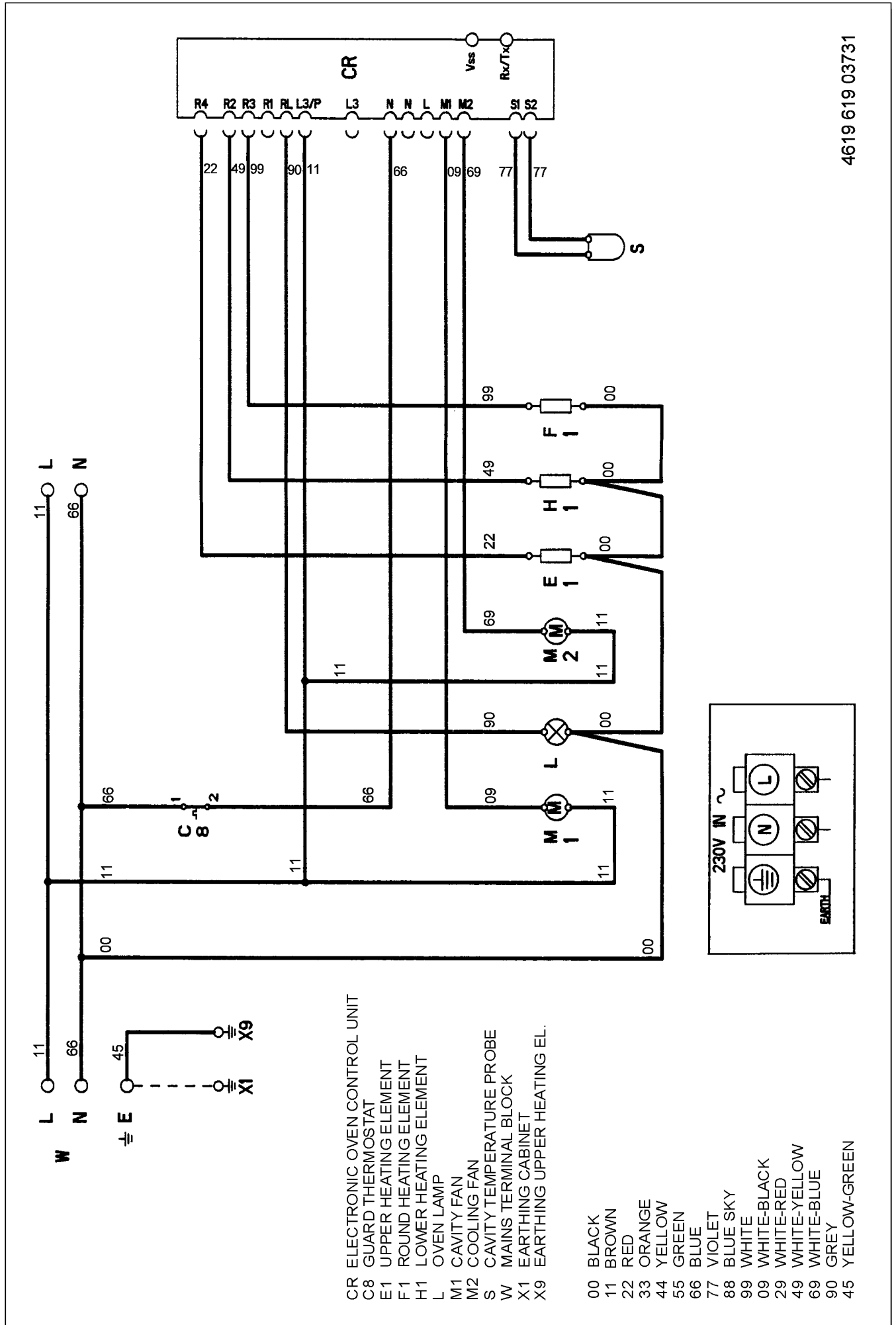
Pos. No.	12NC Code	Description
022 1	4819 460 78916	Trim, side left
022 2	4819 460 78915	Trim, side right
025 1	4819 460 78627	Trim, lower
025 2	4819 460 78849	Trim, lower
040 0	4812 417 18839	Hinge
047 0	4812 417 18837	Hinge run.mech.
110 0	4819 498 78066	Handle,door
110 1	4819 462 48456	Rubber ring
121 0	4819 442 39501	Innerdoor,oven
121 3	4819 460 89431	Trim
141 0	4812 450 58212	Oven glass
143 0	4819 459 28301	Frame
191 0	4819 468 18109	Gasket
201 0	4819 442 39496	Panel
245 0	4819 458 19991	Oven shelf
247 0	4819 418 38367	Tray,leak
256 0	4819 466 89268	Protector sheet
256 3	4819 458 68011	Grid
261 0	4819 458 68266	Inset grid left
261 1	4819 458 68265	Inset grid right
320 0	4812 453 19402	Panel,control
332 0	4819 276 18434	Microswitch
334 0	4812 412 48023	Knob ,PP WHITE
341 2	4812 413 78496	Indication disc
350 0	4819 130 38087	Display
350 1	4819 404 79544	Holder
354 6	4819 902 00644	Display glass
440 0	4819 361 78242	Motor
441 0	4819 361 18475	Motor 230 V 22W
443 0	4819 515 48065	Fan wheel
451 0	4819 259 28823	Heating element circulation
452 0	4819 259 28992	Heating element upper/grill
456 0	4819 259 28989	Heating element lower KIT 240 V1450W
483 3	4819 290 68357	Plug,female
491 0	4812 290 68168	Connectionblock
500 0	4819 214 78694	Module oven selector+timer
521 0	4819 310 39791	Control unit electronic KIT 2 D
562 1	4819 252 28091	Thermal fuse TL
651 0	4819 134 88153	Lamp,oven
652 0	4819 255 18237	Holder,lamp
656 0	4819 450 69844	Lamp screen
691 0	4819 210 78097	Sensor temper.
694 2	4819 466 69505	Stopper
914 0	4819 505 18323	Nut
915 0	4819 505 18145	Nut
930 1	4819 492 68887	Spring
932 0	4819 492 68714	Spring
993 0	4819 310 39087	Mounting kit

Exploded view



0000 003 51448

Wiring diagram



4619 619 03731

Technical data

Electrical connection

Rated voltage	230 V ~	50	Hz
Main connection	230 V	1N~	

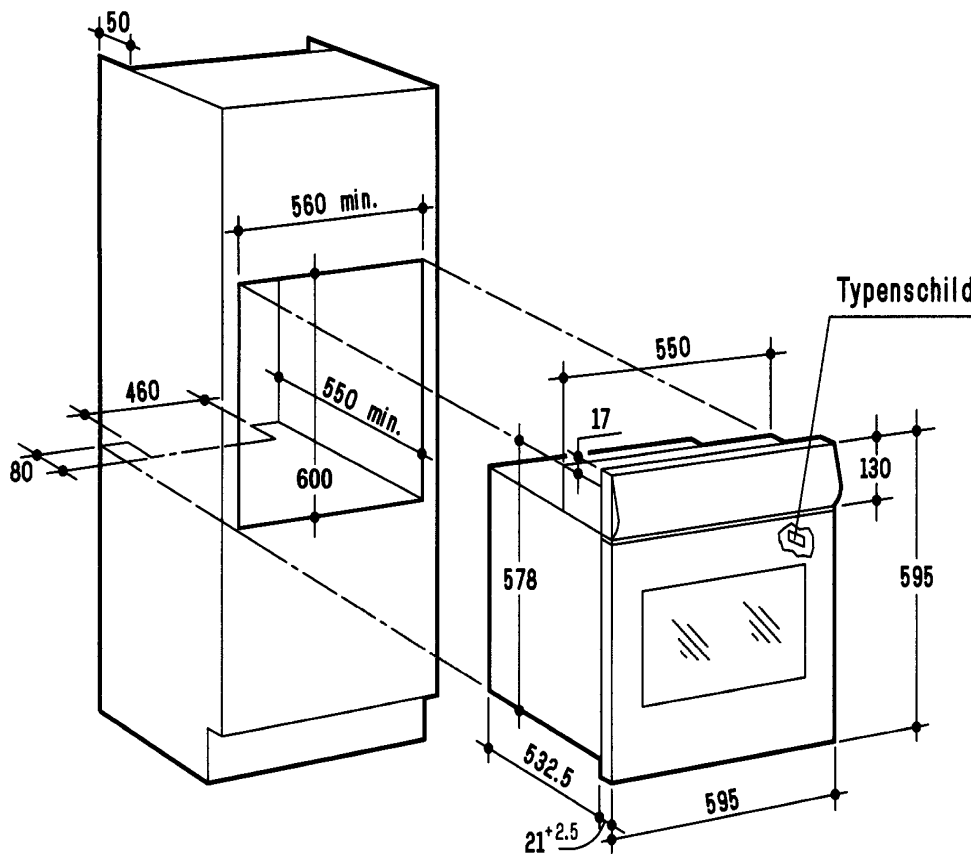
Power usable contemporaneously	2550	W
Lower heating element	1450	W
Forced air	2000	W
Upper grill heating element	2450	W

Electrical components

Auto timer	Interface module
------------	------------------

Accessories

Fat pan enameled	445.5 x 375	mm
Grid chrome	446.5 x 340	mm



z8100002

Free Manuals Download Website

<http://myh66.com>

<http://usermanuals.us>

<http://www.somanuals.com>

<http://www.4manuals.cc>

<http://www.manual-lib.com>

<http://www.404manual.com>

<http://www.luxmanual.com>

<http://aubethermostatmanual.com>

Golf course search by state

<http://golfingnear.com>

Email search by domain

<http://emailbydomain.com>

Auto manuals search

<http://auto.somanuals.com>

TV manuals search

<http://tv.somanuals.com>