



BUILT-IN ELECTRIC CONVECTION OVEN

Use & Care Guide

For questions about features, operation/performance,
parts, accessories or service, call: **1-800-253-1301**
or visit our website at www.whirlpool.com

In Canada call **1-800-807-6777** or visit our website at
www.whirlpoolappliances.ca

FOUR ÉLECTRIQUE ENCASTRÉ À CONVECTION

Guide d'utilisation et d'entretien

Pour des questions à propos des caractéristiques, du fonctionnement/
rendement, des pièces, des accessoires ou du service, composez le :
1-800-807-6777 ou visitez notre site Web
www.whirlpoolappliances.ca

Table of Contents/Table des matières 2

Models/Modèles
RBD277, RBS277, RBD307, RBS307

W10191015A

TABLE OF CONTENTS

OVEN SAFETY	2
ELECTRONIC OVEN CONTROL	4
Display	4
Start	4
Upper Off/Cancel, Lower Off/Cancel or Off/Cancel	4
Clock	4
Tones	4
Fahrenheit and Celsius	5
Timer	5
Control Lock	5
Oven Temperature Control	5
OVEN USE	6
Aluminum Foil	6
Positioning Racks and Bakeware	6
Bakeware	6
Meat Thermometer	7
Oven Vent	7
Baking and Roasting	7
Broiling and Custom Broiling	8
Convection Cooking	9
Convection Baking and Roasting	9
Timed Cooking	11
OVEN CARE	12
Self-Cleaning Cycle (on some models)	12
General Cleaning	13
Oven Lights	14
Oven Door	14
TROUBLESHOOTING	15
ASSISTANCE OR SERVICE	16
WARRANTY	17

TABLE DES MATIÈRES

SÉCURITÉ DU FOUR	18
COMMANDE ÉLECTRONIQUE DU FOUR	19
Affichage	19
Mise en marche	19
Upper Off/Cancel (Four supérieur - Arrêt/annulation), Lower Off/Cancel (Four inférieur - Arrêt/annulation) ou Off/Cancel (Arrêt/annulation)	19
Horloge	19
Signaux sonores	20
Fahrenheit et Celsius	20
Minuterie	20
Verrouillage des commandes	20
Commande de la température du four	20
UTILISATION DU FOUR	21
Papier d'aluminium	21
Positionnement des grilles et des ustensiles de cuisson	21
Ustensiles de cuisson	22
Thermomètre à viande	22
Évent du four	22
Cuisson au four et rôtissage	22
Cuisson au gril et cuisson au gril personnalisée	23
Cuisson par convection	24
Cuisson au four et rôtissage par convection	24
Cuisson minutée	25
ENTRETIEN DU FOUR	26
Programme d'autonettoyage (sur certains modèles)	26
Nettoyage général	27
Lampes du four	28
Porte du four	28
DÉPANNAGE	29
ASSISTANCE OU SERVICE	30
GARANTIE	31

OVEN SAFETY

Your safety and the safety of others are very important.

We have provided many important safety messages in this manual and on your appliance. Always read and obey all safety messages.



This is the safety alert symbol.

This symbol alerts you to potential hazards that can kill or hurt you and others.

All safety messages will follow the safety alert symbol and either the word "DANGER" or "WARNING."

These words mean:

⚠ DANGER

You can be killed or seriously injured if you don't immediately follow instructions.

⚠ WARNING

You can be killed or seriously injured if you don't follow instructions.

All safety messages will tell you what the potential hazard is, tell you how to reduce the chance of injury, and tell you what can happen if the instructions are not followed.

IMPORTANT SAFETY INSTRUCTIONS

WARNING: To reduce the risk of fire, electrical shock, injury to persons, or damage when using the oven, follow basic precautions, including the following:

- Proper Installation – Be sure the oven is properly installed and grounded by a qualified technician.
- Never Use the Oven for Warming or Heating the Room.
- Do Not Leave Children Alone – Children should not be left alone or unattended in area where oven is in use. They should never be allowed to sit or stand on any part of the oven.
- Wear Proper Apparel – Loose-fitting or hanging garments should never be worn while using the oven.
- User Servicing – Do not repair or replace any part of the oven unless specifically recommended in the manual. All other servicing should be referred to a qualified technician.
- Storage in Oven – Flammable materials should not be stored in an oven.
- Do Not Use Water on Grease Fires – Smother fire or flame or use dry chemical or foam-type extinguisher.
- Use Only Dry Potholders – Moist or damp potholders on hot surfaces may result in burns from steam. Do not let potholder touch hot heating elements. Do not use a towel or other bulky cloth.
- Use Care When Opening Door – Let hot air or steam escape before removing or replacing food.
- Do Not Heat Unopened Food Containers – Build-up of pressure may cause container to burst and result in injury.

- Keep Oven Vent Ducts Unobstructed.
- Placement of Oven Racks – Always place oven racks in desired location while oven is cool. If rack must be moved while oven is hot, do not let potholder contact hot heating element in oven.
- DO NOT TOUCH HEATING ELEMENTS OR INTERIOR SURFACES OF OVEN – Heating elements may be hot even though they are dark in color. Interior surfaces of an oven become hot enough to cause burns. During and after use, do not touch, or let clothing or other flammable materials contact heating elements or interior surfaces of oven until they have had sufficient time to cool. Other surfaces of the oven may become hot enough to cause burns – among these surfaces are oven vent openings and surfaces near these openings, oven doors, and windows of oven doors.

For self-cleaning ovens:

- Do Not Clean Door Gasket – The door gasket is essential for a good seal. Care should be taken not to rub, damage, or move the gasket.
- Do Not Use Oven Cleaners – No commercial oven cleaner or oven liner protective coating of any kind should be used in or around any part of the oven.
- Clean Only Parts Listed in Manual.
- Before Self-Cleaning the Oven – Remove broiler pan and other utensils.

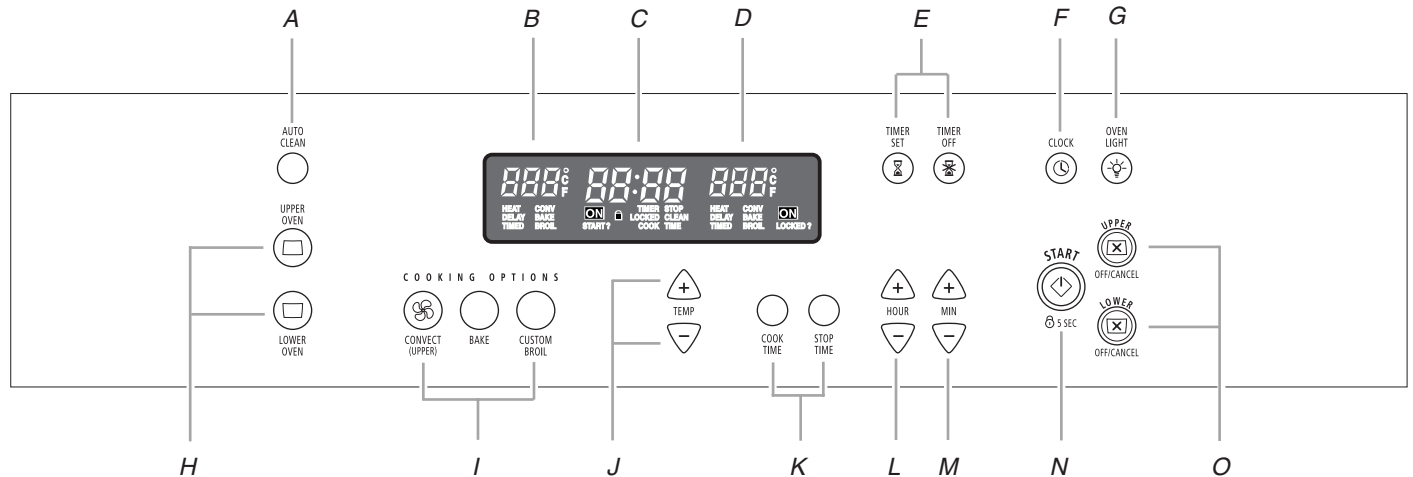
SAVE THESE INSTRUCTIONS

The California Safe Drinking Water and Toxic Enforcement Act requires the Governor of California to publish a list of substances known to the State of California to cause cancer, birth defects, or other reproductive harm, and requires businesses to warn of potential exposure to such substances.

WARNING: This product contains a chemical known to the State of California to cause cancer, birth defects, or other reproductive harm.

This appliance can cause low-level exposure to some of the substances listed, including benzene, formaldehyde, carbon monoxide, and toluene.

ELECTRONIC OVEN CONTROL



A. Auto clean

B. Upper oven temperature display

C. Electronic display

D. Lower oven temperature display

E. Timer

F. Clock

G. Oven light

H. Oven selector

I. Oven settings

J. Temperature setting

K. Timed cooking

L. Hour

M. Minute

N. Start (control lock)

O. Upper off/cancel
Lower off/cancel

Display

When power is first supplied to the appliance, everything on both displays will light up for 5 seconds. Then, the time of day and "PF" will appear on the electronic oven display.

If "PF" appears at any other time, a power failure has occurred. To reset the clock, press UPPER OFF/CANCEL or LOWER OFF/CANCEL on double oven models. On single oven models, press OFF/CANCEL.

Electronic Display

When the oven(s) are in use, this display shows the oven temperature. On double oven models, this display will also show which oven is being set. The left cavity symbol in the oven display represents the upper oven, and the right cavity symbol in the oven display represents the lower oven.

If "Err" appears on the oven display, an invalid pad was pressed. Press UPPER OFF/CANCEL or LOWER OFF/CANCEL and retry entry. On single oven models, press OFF/CANCEL.

When the oven(s) are not in use, the display will show the time of day.

Start

The Start pad begins any oven function except the Timer. If the Start pad is not pressed within 5 seconds after pressing a pad, "START?" will appear on the oven display as a reminder. If the Start pad is not pressed within 4 minutes after pressing a pad, the oven display will return to the time of day mode and the programmed function will be canceled.

Upper Off/Cancel, Lower Off/Cancel or Off/Cancel

The UPPER OFF/CANCEL, LOWER OFF/CANCEL and OFF/CANCEL pads stop their respective oven functions except for the Clock, Timer and Control Lock.

The cooling fan may continue to operate even after an oven function has been canceled, depending on the oven temperature.

Clock

This is a 12-hour clock and does not show a.m. or p.m.

To Set:

Before setting, make sure the ovens, Timer and Timed Cooking are off.

1. Press CLOCK.
2. Press the HOUR or MIN "+" or "-" keypads to set the time of day.
3. Press CLOCK or START.

To remove the time of day from the display: Press and hold CLOCK for 5 seconds. Repeat to return the time of day to the display. The time should not have to be reset.

Tones

Tones are audible signals, indicating the following:

One tone

- Valid pad press
- Oven is preheated
- Function has been entered

Three tones

- Invalid pad press

Four tones

- End of cycle
- Reminder, repeating each minute after the end-of-cycle tones

All Tones

All of the above tones are preset on, but can be turned off.

To Turn Off/On: Press and hold STOP TIME for 5 seconds, and a tone will sound. On double ovens only, "Snd OFF" and "Snd On" will remain in the display. To remove, press UPPER OFF/CANCEL, LOWER OFF/CANCEL, or OFF/CANCEL.

Reminder Tones

The Timer and Timed Cooking reminder tones are preset on, but can be turned off. Reminder tones do not include end-of-cycle tones. If "All Tones" have been turned off, the reminder tones cannot be turned on independently.

Timer

To Turn Tones Off/On: Press and hold TIMER SET until a tone sounds. The display will show "TIMER" and "NA9 On" or "TIMER" and "NA9 OFF." To remove from the display, press UPPER OFF, LOWER OFF or OFF/CANCEL. Repeat to turn back on.

Timed Cooking

To Turn Tones Off/On: Press and hold COOK TIME until a tone sounds. The display will show "COOK TIME" and "NA9 OFF" or "COOK TIME" and "NA9 On" to indicate the status of the cook time tones. To remove from the display, press UPPER OFF, LOWER OFF or OFF/CANCEL. Repeat to turn back on.

Fahrenheit and Celsius

The temperature is preset at Fahrenheit, but can be changed to Celsius.

To Change: Touch and hold CUSTOM BROIL for 5 seconds. A tone will sound, and "C" will appear on the display. Repeat to change back to Fahrenheit. To remove, touch UPPER OFF, LOWER OFF or OFF/CANCEL.

Timer

The Timer can be set in hours and minutes and counts down the set time. The Timer does not start or stop the oven.

To Set:

1. Press TIMER SET.
If no action is taken after 4 minutes, the electronic oven display will return to the time of day mode.
2. Press the HOUR or MIN "+" or "-" keypads to set length of time.
3. Press TIMER SET or START.
If not pressed within 4 minutes, the display will return to the time of day mode and the programmed function will be canceled.
When the set time ends, if enabled, end of cycle tones will sound, then reminder tones will sound every minute.
4. Press TIMER OFF anytime to cancel the Timer and/or stop reminder tones.
Remember, do not press the Off/Cancel pads because the respective oven will turn off.
The time can be reset during the countdown by repeating the above steps.

Control Lock

The Control Lock shuts down the control panel pads to avoid unintended use of the ovens.

When the control is locked, only the CLOCK, TIMER SET and TIMER OFF pads will function.

The Control Lock is preset unlocked, but can be locked.

To Lock/Unlock Control: Before locking, make sure the ovens, Timer and Timed Cooking are off. Press and hold START until a single tone sounds, and "LOCKED," a picture of a lock and "START?" will appear on the oven display for about 5 seconds. Repeat to unlock and remove "LOCKED" from display.

Oven Temperature Control

IMPORTANT: Do not use a thermometer to measure oven temperature because opening the oven door and element or burner cycling may give incorrect readings.

The oven provides accurate temperatures; however, it may cook faster or slower than your previous oven, so the temperature calibration can be adjusted. It can be changed in Fahrenheit or Celsius.

A minus sign means the oven will be cooler by the displayed amount. The absence of a minus sign means the oven will be warmer by the displayed amount. Use the following chart as a guide.

ADJUSTMENT °F (ADJUSTMENT °C)	COOKS FOOD
10°F (5°C)	...a little more
20°F (10°C)	...moderately more
30°F (15°C)	...much more
-10°F (-5°C)	...a little less
-20°F (-10°C)	...moderately less
-30°F (-15°C)	...much less

To Adjust Oven Temperature Calibration:

1. Press and hold BAKE until the oven display shows the current calibration, for example, "0° CAL."
2. On double oven models only, press UPPER OVEN or LOWER OVEN.
3. Press the TEMP "+" or "-" keypads to increase or to decrease the temperature in 10°F (5°C) amounts. The adjustment can be set between 30°F (15°C) and -30°F (-15°C).
4. Press START.

OVEN USE

Odors and smoke are normal when the oven is used the first few times, or when it is heavily soiled.

IMPORTANT: The health of some birds is extremely sensitive to the fumes given off. Exposure to the fumes may result in death to certain birds. Always move birds to another closed and well-ventilated room.

Aluminum Foil

IMPORTANT: To avoid permanent damage to the oven bottom finish, do not line the oven bottom with any type of foil, liners or cookware.

- For best cooking results, do not cover entire rack with foil because air must be able to move freely.
- To catch spills, place foil on rack below dish. Make sure foil is at least ½" (1.3 cm) larger than the dish and that it is turned up at the edges.

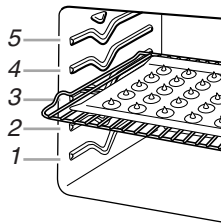
Positioning Racks and Bakeware

IMPORTANT: To avoid permanent damage to the porcelain finish, do not place food or bakeware directly on the oven door or bottom.

RACKS

- Position racks before turning on the oven.
- Do not position racks with bakeware on them.
- Make sure racks are level.

To move a rack, pull it out to the stop position, raise the front edge, and then lift out. Use the following illustration and charts as a guide.



Traditional Cooking

FOOD	RACK POSITION
Large roasts, turkeys, angel food, bundt and tube cakes, quick breads, pies	1 or 2
Yeast breads, casseroles, meat and poultry	2
Cookies, biscuits, muffins, cakes	2 or 3

Convection Cooking

FUNCTION	NUMBER OF RACKS USED	RACK POSITION(S)
Convection baking or roasting	1	1, 2 or 3
Convection baking	2	2 and 4
Convection baking	3	1, 3 and 5

BAKEWARE

To cook food evenly, hot air must be able to circulate. Allow 2" (5 cm) of space around bakeware and oven walls. Use the following chart as a guide.

NUMBER OF PAN(S)	POSITION ON RACK
1	Center of rack.
2	Side by side or slightly staggered.
3 or 4	Opposite corners on each rack. Make sure that no bakeware piece is directly over another.

Bakeware

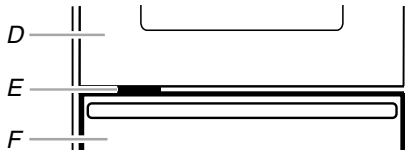
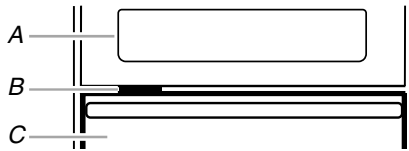
The bakeware material affects cooking results. Follow manufacturer's recommendations and use the bakeware size recommended in the recipe. Use the following chart as a guide.

BAKEWARE/ RESULTS	RECOMMENDATIONS
Light colored aluminum <ul style="list-style-type: none"> ■ Light golden crusts ■ Even browning 	<ul style="list-style-type: none"> ■ Use temperature and time recommended in recipe.
Dark aluminum and other bakeware with dark, dull and/or nonstick finish <ul style="list-style-type: none"> ■ Brown, crisp crusts 	<ul style="list-style-type: none"> ■ May need to reduce baking temperatures slightly. ■ Use suggested baking time. ■ For pies, breads and casseroles, use temperature recommended in recipe. ■ Place rack in center of oven.
Insulated cookie sheets or baking pans <ul style="list-style-type: none"> ■ Little or no bottom browning 	<ul style="list-style-type: none"> ■ Place in the bottom third of oven. ■ May need to increase baking time.
Stainless steel <ul style="list-style-type: none"> ■ Light, golden crusts ■ Uneven browning 	<ul style="list-style-type: none"> ■ May need to increase baking time.
Stoneware/Baking stone <ul style="list-style-type: none"> ■ Crisp crusts 	<ul style="list-style-type: none"> ■ Follow manufacturer's instructions.
Ovenproof glassware, ceramic glass or ceramic <ul style="list-style-type: none"> ■ Brown, crisp crusts 	<ul style="list-style-type: none"> ■ May need to reduce baking temperatures slightly.

Meat Thermometer

On models without a temperature probe, use a meat thermometer to determine whether meat, poultry and fish, are cooked to the desired degree of doneness. The internal temperature, not appearance, should be used to determine doneness. A meat thermometer is not supplied with this appliance. Follow manufacturer's directions for using a meat thermometer.

Oven Vent



Single Oven

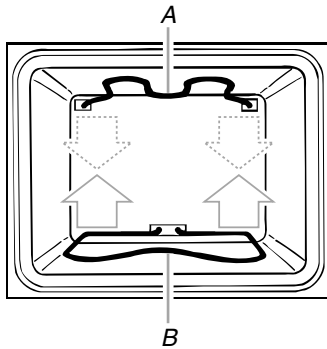
- A. Control panel
- B. Oven vent
- C. Oven

Double Oven

- D. Upper oven
- E. Oven vent
- F. Lower oven

The oven vent should not be blocked or covered since it allows the release of hot air and moisture from the oven. Blocking or covering vents will cause poor air circulation, affecting cooking and cleaning results. Do not set plastics, paper or other items that could melt or burn near the oven vent.

Baking and Roasting



- A. Broil element
- B. Bake element

ACCUBAKE® Temperature Management System

(on some models)

The ACCUBAKE® system electronically regulates the oven heat levels during preheat and bake to maintain a precise temperature range for optimal cooking results. The bake and broil elements cycle on and off in intervals. The bake element will glow red when cycling on, the broil element will not. This feature is automatically activated when the oven is in use.

Before baking and roasting, position racks according to the "Positioning Racks and Bakeware" section. When roasting, it is not necessary to wait for the oven preheat conditioning time to end before putting food in unless recommended in the recipe.

If the oven door is opened during baking and roasting, the bake and broil elements will turn off immediately. They will come back on once the door is closed.

To Bake or Roast:

1. On double oven models only, press UPPER OVEN or LOWER OVEN.

Close oven door. The display will show "door" and the heating elements will not heat if the door is open when baking and roasting.

2. Press BAKE.

Press the TEMP "+" or "-" keypads to enter a temperature other than 350°F (177°C). The bake range can be set between 170°F and 500°F (77°C and 260°C).

3. Press START.

A preheat time will count down and "PrE" will appear on the oven display if the actual oven temperature is under 170°F (77°C).

When the actual oven temperature reaches 170°F (77°C), the timer will continue counting down. The temperature setting can be changed anytime after pressing START.

When the set temperature is reached, if enabled, one tone will sound.

4. Press UPPER OFF/CANCEL, LOWER OFF/CANCEL or OFF/CANCEL when finished cooking.

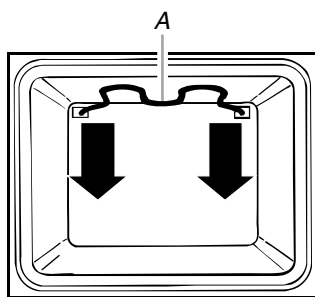
Preheating

After START is pressed, the oven will enter a timed preheat conditioning. "PrE" and the time countdown will appear on the display. When the preheat conditioning time ends, a tone will sound and the selected temperature will appear on the display.

Preheat temperatures are affected by varying factors such as room temperature and peak energy usage times. It is normal for the temperature showing on the display and the actual oven temperature to differ.

Waiting an additional 10 minutes after the preheat conditioning time ends to put food in the oven is suggested when baking foods with leavening ingredients, such as yeast, baking powder, baking soda and eggs.

Broiling and Custom Broiling



A. Broil element

Broiling uses direct radiant heat from the broil element to cook food. During broiling, the broil element cycles on and off in intervals to maintain the oven temperature.

If the oven door is opened during broiling, the broil element will turn off immediately and come back on once the door is closed.

- For best results, use a broiler pan and grid. They are designed to drain juices and help avoid spatter and smoke.
If you would like to purchase a broiler pan, one may be ordered. See "Assistance or Service" section to order. Ask for Part Number 4396923.
- For proper draining, do not cover the grid with foil. The bottom of the pan may be lined with aluminum foil for easier cleaning.
- Trim excess fat to reduce spattering. Slit the remaining fat on the edges to avoid curling.
- Pull out oven rack to stop position before turning or removing food. Use tongs to turn food to avoid the loss of juices. Very thin cuts of fish, poultry or meat may not need to be turned.
- After broiling, remove the pan from the oven when removing the food. Drippings will bake on the pan if left in the heated oven, making cleaning more difficult.

To Broil:

Before broiling or custom broiling, position the rack according to the Broiling Chart.

Position food on the grid in the broiler pan, then place it in the center of the oven rack with the longest side parallel to the door. It is not necessary to preheat the oven before putting in food, unless recommended in the recipe.

Close the door.

1. On double oven models only, press UPPER OVEN or LOWER OVEN.
2. Press CUSTOM BROIL.
3. Press START.
The set oven temperature will appear on the oven display until the oven is turned off.
4. Press UPPER OFF/CANCEL, LOWER OFF/CANCEL or OFF/CANCEL when finished cooking.

To Custom Broil:

When custom broiling, changing the temperature allows more precise control. The lower the temperature, the slower the cooking. Thicker cuts and unevenly shaped pieces of meat, fish and poultry may cook better at lower broiling temperatures.

1. On double oven models only, press UPPER OVEN or LOWER OVEN.
2. Press CUSTOM BROIL.
3. Press the TEMP "+" or "-" keypads to enter a temperature other than 500°F (260°C). The broil range can be set between 170°F and 500°F (77°C and 260°C).
4. Press START.
The set oven temperature will appear on the oven display until the oven is turned off.
5. Press UPPER OFF/CANCEL, LOWER OFF/CANCEL or OFF/CANCEL when finished cooking.

BROILING CHART

For best results, place food 3" (7 cm) or more from the broil element. Times are guidelines only and may need to be adjusted for individual foods and tastes. Recommended rack positions are numbered from the bottom (1) to the top (5). For diagram, see the "Positioning Racks and Bakeware" section.

FOOD	RACK POSITION	COOK TIME (in minutes)	
		SIDE 1	SIDE 2
Steak			
1" (2.5 cm) thick			
medium rare	4	14-15	7-8
medium	4	15-16	8-9
well-done	4	18-19	9-10
Ground meat patties*			
¾" (2 cm) thick			
well-done	4	13-14	7-8
Pork chops			
1" (2.5 cm) thick	4	20-22	10-11
Ham slice, precooked			
½" (1.25 cm) thick	4	8-10	4-5
Frankfurters			
	4	5-7	3-4
Lamb chops			
1" (2.5 cm) thick	4	14-17	8-9
Chicken			
bone-in pieces	3	17-20	17-20
boneless breasts	4	11-16	11-16
Fish Fillets			
¼-½" (0.6-1.25 cm) thick	4	8-10	4-5
Fish Steaks			
¾-1" (2-2.5 cm) thick	4	16-18	8-9

*Place up to 12 patties, equally spaced, on broiler grid.

Convection Cooking

(on some models)

In a convection oven, the fan-circulated hot air continually distributes heat more evenly than the natural movement of air in a standard thermal oven. This movement of hot air helps maintain a consistent temperature throughout the oven, cooking foods more evenly, crisping surfaces while sealing in moisture and yielding crustier breads.

Most foods can be cooked by lowering cooking temperatures 25°F to 50°F (14°C to 28°C), and cooking time can be shortened by as much as 30 percent, especially for large turkeys and roasts.

- It is important not to cover foods with lids or aluminum foil so that surface areas remain exposed to the circulating air, allowing browning and crisping.
- Keep heat loss to a minimum by opening the oven door only when necessary.
- Choose cookie sheets without sides and roasting pans with lower sides to allow air to move freely around the food.
- Test baked goods for doneness a few minutes before the minimum cooking time with an alternative method such as using a toothpick.

! WARNING



Burn Hazard

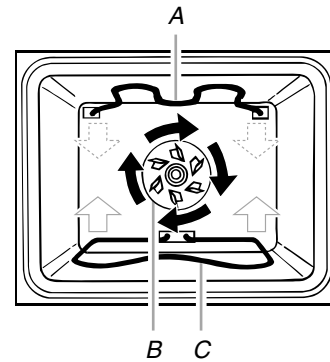
Use an oven mitt to remove temperature probe.

Do not touch broil element.

Failure to follow these instructions can result in burns.

- Use a meat thermometer or the temperature probe (on some models) to determine the doneness of meats and poultry.

Convection Baking and Roasting



A. Broil element
B. Convection fan
C. Bake element

During convection baking or roasting, the bake and broil elements cycle on and off in intervals to maintain the oven temperature, while the fan constantly circulates the hot air.

If the oven door is opened during convection baking or roasting, the bake and broil elements and fan will turn off immediately. They will come back on once the door is closed.

- For optimal cooking results, do not use aluminum foil.
- Reduce recipe temperature 25°F (14°C). The cook time may need to be reduced also.

To Convection Bake or Roast:

Before convection baking or roasting, position the racks according to the "Positioning Racks and Bakeware" section. When using two racks, place them on rack positions 2 and 4.

For best results, it is recommended you use a roasting rack when roasting using Convection Bake. This allows air to circulate completely around all surfaces of the food. If you would to purchase a Broiler Pan/Roasting Rack Kit, it may be ordered. See "Assistance or Service" section to order. Ask for Part Number W10123240.

1. Press CONVECT (UPPER).

Close oven door. The display will show "door" and the heating elements will not heat if the door is open when baking and roasting.

Press the TEMP "+" or "-" keypads to enter a temperature other than 325°F (165°C). The bake range can be set between 170°F and 500°F (75°C and 260°C).

2. Press START.

A preheat time will count down and “PrE” will appear on the oven display if the actual oven temperature is under 170°F (75°C).

When the actual oven temperature reaches 170°F (75°C), the timer will continue counting down. The temperature setting can be changed anytime after pressing START.

When the set temperature is reached, if enabled, one tone will sound.

3. Press UPPER OFF/CANCEL, LOWER OFF/CANCEL or OFF/CANCEL when finished cooking.

CONVECTION ROASTING CHART

FOOD/RACK POSITION	COOK TIME (min. per 1 lb [454 g])	OVEN TEMP.	INTERNAL FOOD TEMP.
Beef, Rack Position 2			
Rib Roast			
rare	20-25	300°F (149°C)	140°F (60°C)
medium	25-30		160°F (71°C)
well-done	30-35		170°F (77°C)
Rib Roast (boneless)			
rare	22-25	300°F (149°C)	140°F (60°C)
medium	27-30		160°F (71°C)
well-done	32-35		170°F (77°C)
Rump, Sirloin Tip Roast			
rare	20-25	300°F (149°C)	140°F (60°C)
medium	25-30		160°F (71°C)
well-done	30-35		170°F (77°C)
Meat Loaf			
	20-25	325°F (163°C)	165°F (74°C)
Veal, Rack Position 2			
Loin, Rib, Rump Roast			
medium	25-35	325°F (163°C)	160°F (71°C)
well-done	30-40		170°F (77°C)
Pork, Rack Position 2			
Loin Roast (boneless)			
	30-40	325°F (163°C)	160°F-170°F (71°C-77°C)
Shoulder Roast			
	35-40	325°F (163°C)	160°F-170°F (71°C-77°C)

FOOD/RACK POSITION	COOK TIME (min. per 1 lb [454 g])	OVEN TEMP.	INTERNAL FOOD TEMP.
Ham, Rack Position 2			
Fresh (uncooked)			
	25-35	300°F (149°C)	160°F (71°C)
Fully Cooked			
	15-20	300°F (149°C)	160°F (71°C)
Lamb, Rack Position 2			
Leg, Shoulder Roast			
medium	25-30	300°F (149°C)	160°F (71°C)
well-done	30-35		170°F (77°C)
Chicken*, Rack Position 2			
Whole			
3-5 lbs (1.5-2.2 kg)	20-25	325°F (163°C)	180°F (82°C)
5-7 lbs (2.2-3.1 kg)	15-20	325°F (163°C)	180°F (82°C)
Turkey*, Rack Positions 1 or 2			
13 lbs and under (5.85 kg)	10-15	300°F (149°C)	180°F (82°C)
Over 13 lbs (5.85 kg)	10-12	300°F (149°C)	180°F (82°C)
Cornish Game Hens*, Rack Position 2 or 3			
1-1.5 lbs (0.5-0.7 kg)	50-60	325°F (163°C)	180°F (82°C)

*Do not stuff poultry when convection roasting.

Timed Cooking

WARNING

Food Poisoning Hazard

Do not let food sit in oven more than one hour before or after cooking.

Doing so can result in food poisoning or sickness.

Timed Cooking allows the oven to be set to turn on at a certain time of day, cook for a set length of time, and/or shut off automatically.

To Set a Cook Time:

1. On double oven models only, press UPPER OVEN or LOWER OVEN.
2. Press BAKE or CONVECT UPPER (on some models).
Press the number pads to enter a temperature other than the one displayed.
3. Press COOK TIME.
4. Press the HOUR and MIN “+” or “-” keypads to enter the length of time to cook.
5. Press START.

The start time, the stop time countdown and “TIMED” will appear on the oven display.

On double oven models only, when both upper and lower ovens are being used at the same time, touch UPPER OVEN or LOWER OVEN to display the respective cook time.

When the stop time is reached, the oven will shut off automatically and “End” will appear on the oven display.

If enabled, end of cycle tones will sound, then reminder tones will sound every minute.

6. Press UPPER OFF/CANCEL, LOWER OFF/CANCEL or OFF/CANCEL or open the oven door to clear the display and/or stop reminder tones.

To Set a Cook Time and Stop Time:

Before setting, make sure the clock is set to the correct time of day. See “Clock” section.

1. On double oven models only, press UPPER OVEN or LOWER OVEN.
2. Press BAKE or CONVECT UPPER (on some models).
Press the TEMP “+” or “-” arrow pad to enter a temperature other than the one displayed.
3. Press COOK TIME.
4. Press the HOUR and MIN “+” or “-” keypads to enter the length of time to cook.
5. Press STOP TIME.

When the stop time is reached, the oven will shut off automatically and “End” will appear on the oven display.

If enabled, end of cycle tones will sound, then reminder tones will sound every minute.

6. Press START
The start is automatically calculated and displayed. “TIMED,” “DELAY” and stop time will also appear on the oven display.

When the start time is reached, the oven will automatically turn on. Minute time countdown will appear on the oven display.

7. Press UPPER OFF/CANCEL, LOWER OFF/CANCEL or OFF/CANCEL or open the oven door to clear the display and/or stop reminder tones.

OVEN CARE

Self-Cleaning Cycle (on some models)

! WARNING



Burn Hazard

Do not touch the oven during the Self-Cleaning cycle.

Keep children away from oven during Self-Cleaning cycle.

Failure to follow these instructions can result in burns.

IMPORTANT: The health of some birds is extremely sensitive to the fumes given off during the Self-Cleaning cycle. Exposure to the fumes may result in death to certain birds. Always move birds to another closed and well-ventilated room.

Self-clean the oven before it becomes heavily soiled. Heavy soil results in longer cleaning and more smoke.

Keep the kitchen well-ventilated during the Self-Cleaning cycle to help get rid of heat, odors, and smoke.

Do not block the oven vent(s) during the Self-Cleaning cycle. Air must be able to move freely. Depending on your model, see "Oven Vent" or "Oven Vents" section.

Do not clean, rub, damage or move the oven door gasket. The door gasket is essential for a good seal.

Prepare Oven:

- Remove the broiler pan, grid, cookware and bakeware (not included) and, on some models, the temperature probe from the oven.

Remove oven racks to keep them shiny and easy to slide. See "General Cleaning" section for more information.

- Remove any foil from the oven because it may burn or melt, damaging the oven.
- Hand clean inside door edge and the 1½" (3.8 cm) area around the inside oven cavity frame, being certain not to move or bend the gasket. This area does not get hot enough during self-cleaning to remove soil. Do not let water, cleaner, etc. enter slots on door frame. Use a damp cloth to clean this area.
- Wipe out any loose soil to reduce smoke and avoid damage. At high temperatures, foods react with porcelain. Staining, etching, pitting or faint white spots can result. This will not affect cooking performance.

How the Cycle Works

IMPORTANT: The heating and cooling of porcelain on steel in the oven may result in discoloring, loss of gloss, hairline cracks and popping sounds.

The Self-Cleaning cycle uses very high temperatures, burning soil to a powdery ash.

The oven is preset for a 3 hour 30 minute clean cycle, but the time can be changed. Suggested clean times are 2 hours 30 minutes for light soil and between 3 hours 30 minutes to 4 hours 30 minutes for average to heavy soil.

Once the oven has completely cooled, remove ash with a damp cloth. To avoid breaking the glass, do not apply a cool damp cloth to the inner door glass before it has completely cooled.

The oven light will not work during the Self-Cleaning cycle.

On combination oven models, the upper oven will not work during the Self-Cleaning cycle.

To Self-Clean:

Before self-cleaning, make sure the door is closed completely or it will not lock and the cycle will not begin.

1. Press AUTO CLEAN.

Press the number pads to set a clean time other than 3 hours 30 minutes. The clean time can be set between 2 hours 30 minutes and 4 hours 30 minutes in 30-minute increments.

2. Press START.

The lower oven door will automatically lock. "DOOR LOCKED," the start time and stop time will appear on the lower oven display. The door will not unlock until the lower oven cools.

When the cycle is complete and the oven cools, "End" will appear on the lower oven display and "DOOR LOCKED" will disappear.

3. Press any pad or open the lower oven door to clear the lower oven display.

To Delay Start Self-Clean:

Before delay starting Self-Clean, make sure the clock is set to the correct time of day. See "Clock" section. Also, make sure the door is closed completely or it will not lock and the cycle will not begin.

1. Press AUTO CLEAN.

Press the number pads to set a clean time other than 3 hours 30 minutes. The clean time can be set between 2 hours 30 minutes and 4 hours 30 minutes in 30-minute increments.

2. Press STOP TIME.

3. Press the number pads to enter the time of day to stop.

4. Press START.

The start time is automatically calculated and displayed.

The door will automatically lock, and "DOOR LOCKED," "DELAY," and the stop time will also appear on the display. The door will not unlock until the oven cools.

When the start time is reached, the lower oven will automatically turn on.

When the cycle is complete and the oven cools, "End" will appear on the lower oven display and "DOOR LOCKED" will disappear.

5. Press any pad or open the lower oven door to clear the oven display.

To Stop Self-Clean anytime:

Press lower oven OFF/CANCEL. If the lower oven temperature is too high, the door will remain locked. It will not unlock until the lower oven cools.

General Cleaning

IMPORTANT: Before cleaning, make sure all controls are off and the oven is cool. Always follow label instructions on cleaning products.

Soap, water and a soft cloth or sponge are suggested first unless otherwise noted.

STAINLESS STEEL (on some models)

Cleaning Method:

NOTE: To avoid damage to stainless steel surfaces, do not use soap-filled scouring pads, abrasive cleaners, Cooktop Cleaner, steel-wool pads, gritty washcloths or some paper towels.

Rub in direction of grain to avoid damaging.

- Stainless Steel Cleaner and Polish Part Number 31462 (not included):

See "Assistance or Service" section to order.

- Liquid detergent or all-purpose cleaner:

Rinse with clean water and dry with soft, lint-free cloth.

OVEN DOOR EXTERIOR

Cleaning Method:

- Glass cleaner and a soft cloth or sponge:
Apply glass cleaner to soft cloth or sponge, not directly on panel.

- All-Purpose Appliance Cleaner Part Number 31682 (not included):

See "Assistance or Service" section to order.

CONTROL PANEL

Cleaning Method:

To avoid damage to the control panel, do not use abrasive cleaners, steel-wool pads, gritty washcloths or some paper towels.

- Glass cleaner and soft cloth or sponge:
Apply glass cleaner to soft cloth or sponge, not directly on panel.

- All-Purpose Appliance Cleaner Part Number 31682 (not included):

See "Assistance or Service" section to order.

OVEN CAVITY

Do not use oven cleaners.

Food spills should be cleaned when oven cools. At high temperatures, foods react with porcelain and staining, etching, pitting or faint white spots can result.

Cleaning Method:

- Self-Cleaning cycle: See "Self-Cleaning Cycle" first.

OVEN RACKS

Cleaning Method:

- Self-Cleaning cycle:

See "Self-Cleaning Cycle" first. Remove racks or they will discolor and become harder to slide. If this happens, a light coating of vegetable oil applied to the rack guides will help them slide.

- Steel-wool pad

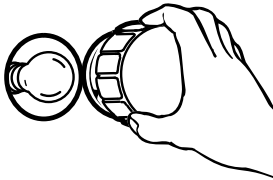
Oven Lights

The oven lights are standard 15-watt appliance bulbs. They will come on when the oven door is opened. They will not work during the Self-Cleaning cycle. When the oven door is closed, press OVEN LIGHT to turn them on or off.

To Replace:

Before replacing, make sure the oven is off and cool.

1. Disconnect power.
2. Turn the glass bulb cover in the back of the oven counterclockwise to remove.



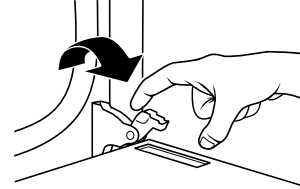
3. Turn bulb counterclockwise to remove from socket.
4. Replace bulb and bulb cover by turning clockwise.
5. Reconnect power.

Oven Door

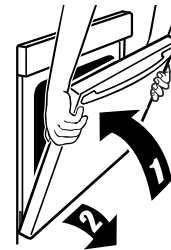
For normal oven use, it is not suggested to remove the oven door. However, if removal is necessary, make sure the oven is off and cool. Then, follow these instructions. The oven door is heavy.

To Remove:

1. Open oven door all the way.
2. Flip up the hinge latch on each side.



3. Close the oven door as far as it will shut.
4. Lift the oven door while holding both sides. Continue to push the oven door closed and pull it away from the oven door frame.



To Replace:

1. Insert both hanger arms into the door.



2. Open the oven door. You should hear a "click" as the door is set into place.
3. Move the hinge levers back to the locked position. Check that the door is free to open and close. If it is not, repeat the removal and installation procedures.

TROUBLESHOOTING

Try the solutions suggested here first in order to avoid the cost of an unnecessary service call.

Nothing will operate

- **Has a household fuse blown, or has a circuit breaker tripped?**
Replace the fuse or reset the circuit breaker. If the problem continues, call an electrician.
 - **Is the appliance wired properly?**
See Installation Instructions.
-

Oven will not operate

- **Is the electronic oven control set correctly?**
See "Electronic Oven Control" section.
 - **Has a delay start been set?**
See "Timed Cooking" section.
 - **On some models, is the Control Lock set?**
See "Control Lock" section.
 - **On some models, is the Sabbath Mode set?**
See "Sabbath Mode" section.
 - **On double oven models, is one oven self-cleaning?**
When one oven is self-cleaning the other oven cannot be set or turned on.
 - **On double oven models, has the correct oven been selected?**
Choose UPPER OVEN or LOWER OVEN first.
-

Oven temperature too high or too low

- **Does the oven temperature calibration need adjustment?**
See "Oven Temperature Control" section.
-

Display shows messages

- **Is the display showing "PF," "PF id=27" or "PF id=30"?**
There has been a power failure. Clear the display. See "Display(s)" section. On some models, reset the clock, if needed. See "Clock" section.
 - **Is the display showing a letter followed by a number?**
Clear the display. See "Display(s)" section. If it reappears, call for service. See "Assistance or Service" section.
-

Self-Cleaning cycle will not operate

- **Is the oven door open?**
Close the oven door all the way.
 - **Has the function been entered?**
See "Self-Cleaning Cycle" section.
 - **On some models, has a delay start Self-Clean cycle been set?**
See "Self-Cleaning Cycle" section.
 - **Has a delay start been set?**
See "Timed Cooking" section.
 - **On double oven models, is one oven self-cleaning?**
When one oven is self-cleaning, the other oven cannot be set to self-clean.
-

Oven cooking results not what expected

- **Is the appliance level?**
Level the appliance. See the Installation Instructions.
 - **Is the proper temperature set?**
Double-check the recipe in a reliable cookbook.
 - **Is the proper oven temperature calibration set?**
See "Oven Temperature Control" section.
 - **Was the oven preheated?**
See "Baking and Roasting" section.
 - **Is the proper bakeware being used?**
See "Bakeware" section.
 - **Are the racks positioned properly?**
See "Positioning Racks and Bakeware" section.
 - **Is there proper air circulation around bakeware?**
See "Positioning Racks and Bakeware" section.
 - **Is the batter evenly distributed in the pan?**
Make sure batter is level in the pan.
 - **Is the proper length of time being used?**
Adjust cooking time.
 - **Has the oven door been opened while cooking?**
Oven peeking releases oven heat and can result in longer cooking times.
 - **Are baked items too brown on the bottom?**
Move rack to higher position in the oven.
 - **Are pie crust edges browning early?**
Use aluminum foil to cover the edge of the crust and/or reduce baking temperature.
-

ASSISTANCE OR SERVICE

Before calling for assistance or service, please check "Troubleshooting." It may save you the cost of a service call. If you still need help, follow the instructions below.

When calling, please know the purchase date and the complete model and serial number of your appliance. This information will help us to better respond to your request.

If you need replacement parts

If you need to order replacement parts, we recommend that you use only FSP® replacement parts. FSP® replacement parts will fit right and work right because they are made with the same precision used to build every new WHIRLPOOL® appliance.

To locate FSP® replacement parts in your area, call us or your nearest Whirlpool designated service center.

In the U.S.A.

Call the Whirlpool Customer eXperience Center toll free: **1-800-253-1301**.

Our consultants provide assistance with:

- Features and specifications on our full line of appliances.
- Installation information.
- Use and maintenance procedures.
- Accessory and repair parts sales.
- Specialized customer assistance (Spanish speaking, hearing impaired, limited vision, etc.).
- Referrals to local dealers, repair parts distributors and service companies. Whirlpool designated service technicians are trained to fulfill the product warranty and provide after-warranty service, anywhere in the United States.

To locate the Whirlpool designated service company in your area, you can also look in your telephone directory Yellow Pages.

For further assistance

If you need further assistance, you can write to Whirlpool Corporation with any questions or concerns at:

Whirlpool Brand Home Appliances
Customer eXperience Center
553 Benson Road
Benton Harbor, MI 49022-2692

Please include a daytime phone number in your correspondence.

Accessories

Accessories U.S.A.

To order accessories, call the Whirlpool Customer eXperience Center toll free at **1-800-442-9991** and follow the menu prompts. Or visit our website at **www.whirlpool.com** and click on "Parts & Accessories."

Stainless Steel Cleaner and Polish

(stainless steel models)

Order Part Number 31462

Broiler Pan and Grid

Order Part Number 4396923

All-Purpose Appliance Cleaner

Order Part Number 31682

In Canada

Call the Whirlpool Canada LP Customer eXperience Centre toll free: **1-800-807-6777**.

Our consultants provide assistance with:

- Features and specifications on our full line of appliances.
- Use and maintenance procedures.
- Accessory and repair parts sales.
- Referrals to local dealers, repair parts distributors, and service companies. Whirlpool Canada LP designated service technicians are trained to fulfill the product warranty and provide after-warranty service, anywhere in Canada.

For further assistance

If you need further assistance, you can write to Whirlpool Canada LP with any questions or concerns at:

Customer eXperience Centre
Whirlpool Canada LP
1901 Minnesota Court
Mississauga, Ontario L5N 3A7

Please include a daytime phone number in your correspondence.

WHIRLPOOL CORPORATION MAJOR APPLIANCE WARRANTY

LIMITED WARRANTY

For one year from the date of purchase, when this major appliance is operated and maintained according to instructions attached to or furnished with the product, Whirlpool Corporation or Whirlpool Canada LP (hereafter "Whirlpool") will pay for Factory Specified Parts and repair labor to correct defects in materials or workmanship. Service must be provided by a Whirlpool designated service company. This limited warranty is valid only in the United States or Canada and applies only when the major appliance is used in the country in which it was purchased. Outside the 50 United States and Canada, this limited warranty does not apply. Proof of original purchase date is required to obtain service under this limited warranty.

ITEMS EXCLUDED FROM WARRANTY

This limited warranty does not cover:

1. Service calls to correct the installation of your major appliance, to instruct you on how to use your major appliance, to replace or repair house fuses, or to correct house wiring or plumbing.
2. Service calls to repair or replace appliance light bulbs, air filters or water filters. Consumable parts are excluded from warranty coverage.
3. Repairs when your major appliance is used for other than normal, single-family household use or when it is used in a manner that is contrary to published user or operator instructions and/or installation instructions.
4. Damage resulting from accident, alteration, misuse, abuse, fire, flood, acts of God, improper installation, installation not in accordance with electrical or plumbing codes, or use of consumables or cleaning products not approved by Whirlpool.
5. Cosmetic damage, including scratches, dents, chips or other damage to the finish of your major appliance, unless such damage results from defects in materials or workmanship and is reported to Whirlpool within 30 days from the date of purchase.
6. Any food loss due to refrigerator or freezer product failures.
7. Costs associated with the removal from your home of your major appliance for repairs. This major appliance is designed to be repaired in the home and only in-home service is covered by this warranty.
8. Repairs to parts or systems resulting from unauthorized modifications made to the appliance.
9. Expenses for travel and transportation for product service if your major appliance is located in a remote area where service by an authorized Whirlpool servicer is not available.
10. The removal and reinstallation of your major appliance if it is installed in an inaccessible location or is not installed in accordance with published installation instructions.
11. Major appliances with original model/serial numbers that have been removed, altered or cannot be easily determined. This warranty is void if the factory applied serial number has been altered or removed from your major appliance.

The cost of repair or replacement under these excluded circumstances shall be borne by the customer.

DISCLAIMER OF IMPLIED WARRANTIES; LIMITATION OF REMEDIES

CUSTOMER'S SOLE AND EXCLUSIVE REMEDY UNDER THIS LIMITED WARRANTY SHALL BE PRODUCT REPAIR AS PROVIDED HEREIN. IMPLIED WARRANTIES, INCLUDING WARRANTIES OF MERCHANTABILITY OR FITNESS FOR A PARTICULAR PURPOSE, ARE LIMITED TO ONE YEAR OR THE SHORTEST PERIOD ALLOWED BY LAW. WHIRLPOOL SHALL NOT BE LIABLE FOR INCIDENTAL OR CONSEQUENTIAL DAMAGES. SOME STATES AND PROVINCES DO NOT ALLOW THE EXCLUSION OR LIMITATION OF INCIDENTAL OR CONSEQUENTIAL DAMAGES, OR LIMITATIONS ON THE DURATION OF IMPLIED WARRANTIES OF MERCHANTABILITY OR FITNESS, SO THESE EXCLUSIONS OR LIMITATIONS MAY NOT APPLY TO YOU. THIS WARRANTY GIVES YOU SPECIFIC LEGAL RIGHTS, AND YOU MAY ALSO HAVE OTHER RIGHTS WHICH VARY FROM STATE TO STATE OR PROVINCE TO PROVINCE.

If outside the 50 United States and Canada, contact your authorized Whirlpool dealer to determine if another warranty applies.

If you need service, first see the "Troubleshooting" section of the Use & Care Guide. After checking "Troubleshooting," you may find additional help by checking the "Assistance or Service" section or by calling Whirlpool. In the U.S.A., call **1-800-253-1301**. In Canada, call **1-800-807-6777**.

9/07

Keep this book and your sales slip together for future reference. You must provide proof of purchase or installation date for in-warranty service.

Write down the following information about your major appliance to better help you obtain assistance or service if you ever need it. You will need to know your complete model number and serial number. You can find this information on the model and serial number label located on the product.

Dealer name _____
Address _____
Phone number _____
Model number _____
Serial number _____
Purchase date _____

SÉCURITÉ DU FOUR

Votre sécurité et celle des autres est très importante.

Nous donnons de nombreux messages de sécurité importants dans ce manuel et sur votre appareil ménager. Assurez-vous de toujours lire tous les messages de sécurité et de vous y conformer.



Voici le symbole d'alerte de sécurité.

Ce symbole d'alerte de sécurité vous signale les dangers potentiels de décès et de blessures graves à vous et à d'autres.

Tous les messages de sécurité suivront le symbole d'alerte de sécurité et le mot "DANGER" ou "AVERTISSEMENT". Ces mots signifient :

⚠ DANGER

Risque possible de décès ou de blessure grave si vous ne suivez pas immédiatement les instructions.

⚠ AVERTISSEMENT

Risque possible de décès ou de blessure grave si vous ne suivez pas les instructions.

Tous les messages de sécurité vous diront quel est le danger potentiel et vous disent comment réduire le risque de blessure et ce qui peut se produire en cas de non-respect des instructions.

IMPORTANTES INSTRUCTIONS DE SÉCURITÉ

AVERTISSEMENT : Pour réduire le risque d'incendie, de choc électrique, de blessures corporelles ou de dommages lors de l'utilisation du four, il convient d'observer certaines précautions élémentaires dont les suivantes :

- Installation appropriée – S'assurer que le four est convenablement installé et relié à la terre par un technicien qualifié.
- Ne jamais utiliser le four pour chauffer ou réchauffer une pièce.
- Ne pas laisser les enfants seuls – Les enfants ne doivent pas être laissés seuls ou sans surveillance dans la pièce où le four est en service. Ne jamais laisser les enfants s'asseoir ou se tenir sur une partie quelconque du four.
- Porter des vêtements appropriés – Les vêtements amples ou détachés ne doivent jamais être portés pendant l'utilisation du four.
- Entretien par l'utilisateur – Ne pas réparer ni remplacer toute pièce du four si ce n'est pas spécifiquement recommandé dans le manuel. Toute autre opération d'entretien ou de réparation doit être confiée à un technicien qualifié.
- Ne pas utiliser d'eau pour éteindre un feu de graisse – Éteuffer le feu ou les flammes ou utiliser des extincteurs polyvalents à produits chimiques secs ou un extincteur à mousse.
- Utiliser seulement des mitaines sèches de four – Des mitaines de four mouillées ou humides sur des surfaces chaudes peuvent provoquer des brûlures provenant de la vapeur. Ne pas laisser les mitaines de four toucher les éléments chauffants. Ne pas utiliser une serviette ou un tissu épais.
- Exercer une grande prudence lors de l'ouverture de la porte. Laisser l'air chaud ou la vapeur s'échapper avant d'enlever ou de remplacer un plat.
- Ne pas faire chauffer des contenants fermés – L'accumulation de pression peut causer une explosion du contenant et des blessures.

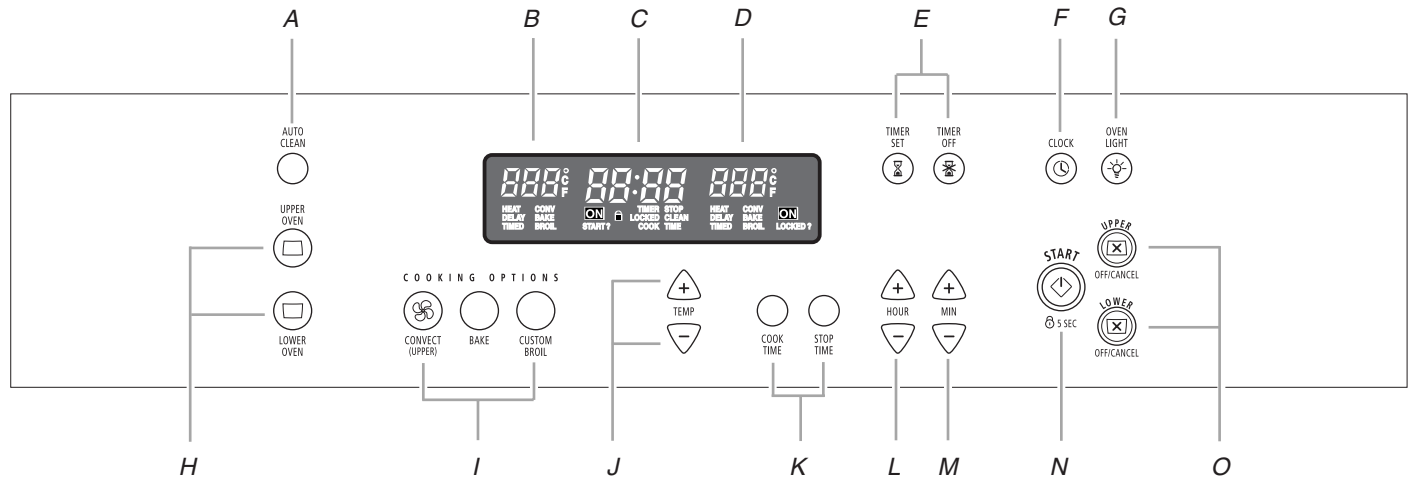
- Ne jamais obstruer les ouvertures des événements.
- Placement des grilles du four – Toujours placer les grilles du four à l'endroit désiré, lorsque le four est froid. Si la grille doit être déplacée lorsque le four est chaud, ne pas laisser des mitaines de four toucher l'élément chauffant dans le four.
- Remisage dans le four – Des matériaux inflammables ne doivent pas être remisés dans un four.
- NE PAS TOUCHER LES ÉLÉMENTS CHAUFFANTS OU LES SURFACES INTÉRIEURES DU FOUR – Les éléments chauffants peuvent être chauds même s'ils ont une teinte foncée. Les surfaces intérieures de four deviennent assez chaudes pour causer des brûlures. Pendant et après l'utilisation, ne pas toucher ou laisser des vêtements ou autres matériaux inflammables venir en contact avec les éléments chauds ou les surfaces intérieures chaudes du four avant qu'ils aient eu assez de temps pour refroidir. D'autres surfaces du four peuvent devenir assez chaudes pour causer des brûlures. Ces surfaces comprennent les ouvertures de l'événement du four et la surface près de ces ouvertures, les portes du four, et les hublots des portes du four.

Fours autonettoyants :

- Ne pas nettoyer le joint de la porte – Le joint de la porte est essentiel pour l'étanchéité. Veiller à ne pas froter, endommager ou déplacer le joint.
- Ne pas utiliser les produits commerciaux de nettoyage de four – On ne doit pas utiliser un produit commercial de nettoyage de four ou un enduit de protection des surfaces internes du four quel qu'en soit le type, sur les surfaces du four ou les surfaces voisines.
- Nettoyer uniquement les pièces indiquées dans le manuel.
- Avant d'exécuter le programme d'autonettoyage du four, enlever la lèchefrite et sa grille et les autres ustensiles.

CONSERVEZ CES INSTRUCTIONS

COMMANDE ÉLECTRONIQUE DU FOUR



A. Autonettoyage

B. Affichage de la température du four supérieur

C. Affichage électronique

D. Affichage de la température du four inférieur

E. Minuterie

F. Horloge

G. Lampe du four

H. Sélecteur du four

I. Réglages du four

J. Réglage de température

K. Cuisson minutée

L. Heure

M. Minute

N. Mise en marche (verrouillage des commandes)

O. Four supérieur - arrêt/annulation
Four inférieur - arrêt/annulation

Affichage

Lors de la mise sous tension initiale de l'appareil, tout s'allumera sur les deux affichages pendant 5 secondes. Puis, l'heure et "PF" apparaîtront sur l'affichage électronique du four.

Si "PF" apparaît à tout autre moment, une panne de courant s'est produite. Pour régler de nouveau l'horloge, appuyer sur UPPER OFF/CANCEL ou LOWER OFF/CANCEL sur les modèles de four double. Sur les modèles de four simple, appuyer sur OFF/CANCEL.

Affichage électronique

Lorsque le ou les fours sont en cours d'utilisation, cet affichage indique la température du four. Sur les modèles de four double, cet affichage indiquera aussi lequel des deux fours est en cours de réglage. Le symbole de cavité de gauche correspond au four supérieur et le symbole de cavité de droite correspond au four inférieur.

Si "Err" apparaît sur l'affichage du four, c'est qu'on a appuyé sur la mauvaise touche. Appuyer sur UPPER OFF/CANCEL ou LOWER OFF/CANCEL et essayer de nouveau. Sur les modèles de four simple, appuyer sur OFF/CANCEL.

Lorsque le ou les fours ne sont pas en cours d'utilisation, l'affichage indique l'heure.

Mise en marche

La touche Start démarre toutes les fonctions du four à l'exception de la minuterie. Si l'on n'appuie pas sur la touche Start dans les 5 secondes après avoir appuyé sur une touche, "START?" apparaît sur l'afficheur du four à titre de rappel. Si on n'appuie pas sur la touche Start dans les 4 minutes après avoir appuyé sur une touche de fonction, l'affichage du four retourne au mode de l'heure et la fonction programmée est annulée.

Upper Off/Cancel (Four supérieur - Arrêt/annulation), Lower Off/Cancel (Four inférieur - Arrêt/annulation) ou Off/Cancel (Arrêt/annulation)

Les touches UPPER OFF/CANCEL, LOWER OFF/CANCEL et OFF/CANCEL arrêtent les fonctions des fours respectifs à l'exception de l'horloge, de la minuterie et du verrouillage des commandes.

Le ventilateur de refroidissement peut continuer à fonctionner même après qu'une fonction de four a été annulée, en fonction de la température du four.

Horloge

Cette horloge de 12 heures n'indique pas a.m. ou p.m.

Réglage :

Avant de verrouiller, s'assurer que les fours, la minuterie et la cuisson minutée sont désactivés.

1. Appuyer sur CLOCK (horloge).
2. Appuyer sur les touches HOUR ou MIN "+" ou "-" pour régler l'heure.
3. Appuyer sur CLOCK (horloge) ou START (mise en marche).

Pour enlever l'heure de l'affichage : Appuyer sur la touche CLOCK (horloge) pendant 5 secondes. Répéter pour réactiver l'affichage de l'heure. L'heure ne devrait pas nécessiter d'être réglée de nouveau.

Signaux sonores

Les signaux sonores indiquent ce qui suit :

Un signal sonore

- Appui sur une touche valide
- Four préchauffé
- Fonction entrée

Trois signaux sonores

- Appui sur une touche non valide

Quatre signaux sonores

- Fin du programme
- Signaux de rappel émis à intervalles de une minute après les signaux de fin de programme

Tous les signaux sonores

Tous les signaux sonores ci-dessus sont préréglés à marche, mais ils peuvent être désactivés.

Désactivation/activation : Appuyer sur STOP TIME pendant 5 secondes, un signal sonore est émis. Sur les fours doubles uniquement, "Snd OFF" et "Snd On" resteront affichés. Pour effacer l'affichage, appuyer sur UPPER OFF/CANCEL, LOWER OFF/CANCEL, ou OFF/CANCEL.

Signaux sonores de rappel

Les signaux sonores de rappel de la minuterie et de la cuisson minutée sont préréglés à marche mais peuvent être désactivés. Les signaux sonores de rappel ne comprennent pas les signaux de fin de programme. Si tous les signaux sonores ont été désactivés, les signaux sonores de rappel ne peuvent être activés indépendamment.

Minuterie

Désactivation/activation des signaux sonores : Appuyer sur TIMER SET (réglage de la minuterie) jusqu'au signal sonore. L'affichage indique "TIMER" et "NA9 On" ou "TIMER" et "NA9 OFF". Pour effacer l'affichage, appuyer sur UPPER OFF, LOWER OFF ou OFF/CANCEL. Répéter pour réactiver la fonction.

Cuisson minutée

Désactivation/activation des signaux sonores : Appuyer sur COOK TIME (durée de cuisson) jusqu'au signal sonore. L'affichage présente "COOK TIME" et "NA9 OFF" ou "COOK TIME" et "NA9 On" pour indiquer le statut des signaux sonores de la durée de cuisson. Pour effacer l'affichage, appuyer sur UPPER OFF, LOWER OFF ou OFF/CANCEL. Répéter pour réactiver la fonction.

Fahrenheit et Celsius

La température est préréglée à Fahrenheit, mais elle peut être changée à Celsius.

Modification : Appuyer sur CUSTOM BROIL (cuisson au gril personnalisée) pendant 5 secondes. Un signal sonore se fera entendre et "C" apparaîtra sur l'affichage. Recommencer pour revenir à Fahrenheit. Pour effacer l'affichage, appuyer sur UPPER OFF, LOWER OFF ou OFF/CANCEL.

Minuterie

La minuterie peut être réglée en heures et minutes et procède à un compte à rebours de la durée réglée. La minuterie ne met pas en marche le four et ne l'éteint pas.

Réglage :

1. Appuyer sur TIMER SET (réglage de la minuterie).
Si aucune fonction n'est entrée après 4 minutes, l'affichage électronique du four retourne au mode d'affichage de l'heure.
2. Appuyer sur les touches HOUR ou MIN "+" ou "-" pour régler la durée.
3. Appuyer sur TIMER SET (réglage de la minuterie) ou sur START (mise en marche).
Si l'on n'appuie pas sur la touche en moins de 4 minutes, l'afficheur retourne au mode d'affichage de l'heure et la fonction programmée est annulée.
À la fin de la durée réglée, si activés, des signaux sonores de fin de programme se font entendre, puis des signaux sonores de rappel suivront à intervalles de 1 minute.
4. Appuyer sur TIMER OFF (arrêt minuterie) à tout moment pour annuler la minuterie et/ou arrêter les signaux de rappel.
Noter qu'il ne faut pas appuyer sur les touches Off/Cancel (arrêt/annulation) car le four correspondant s'éteindra.
La durée peut être réglée de nouveau durant le compte à rebours en répétant les étapes ci-dessus.

Verrouillage des commandes

Le verrouillage des commandes désactive les touches du tableau de commande pour empêcher l'utilisation non intentionnelle des fours.

Lorsque le tableau de commande est verrouillé, seules les touches CLOCK, TIMER SET et TIMER OFF fonctionnent.

Le verrouillage des commandes est préréglé désactivé, mais peut être activé.

Pour verrouiller/déverrouiller les commandes : Avant de verrouiller, s'assurer que les fours, la minuterie et la cuisson minutée sont désactivés. Appuyer sur START pendant environ 5 secondes jusqu'à l'émission d'un signal sonore unique; "LOCKED", une image de cadenas et "START?" apparaissent sur l'affichage du four. Répéter pour déverrouiller et effacer "LOCKED" de l'affichage.

Commande de la température du four

IMPORTANT : Ne pas utiliser un thermomètre pour mesurer la température du four car l'ouverture de la porte du four et le fonctionnement par intermittence de l'élément ou du brûleur peuvent donner des mesures incorrectes.

Le four fournit des températures précises; toutefois, il peut cuire plus rapidement ou plus lentement que votre ancien four, de sorte que le calibrage de la température peut être ajusté. Il peut être changé en degrés Fahrenheit ou en Celsius.

Un signe moins signifie que le four sera plus froid du nombre de degrés affiché. L'absence de signe moins signifie que le four sera plus chaud du nombre de degrés affiché. Utiliser le tableau suivant comme guide.

ADJUSTMENT °F (ADJUSTMENT °C)	CUIT LES ALIMENTS
10°F (5°C)	...un peu plus
20°F (10°C)	...modérément plus
30°F (15°C)	...beaucoup plus
-10°F (-5°C)	...un peu moins
-20°F (-10°C)	...modérément moins
-30°F (-15°C)	...beaucoup moins

Ajustement du calibrage de la température du four :

1. Appuyer sur BAKE (cuisson au four) jusqu'à ce que l'affichage du four indique le calibrage courant, par exemple "0° CAL".
2. Sur les modèles de four double uniquement, appuyer sur UPPER OVEN ou LOWER OVEN.
3. Appuyer sur les touches TEMP "+" or "-" pour augmenter ou diminuer la température par tranches de 10°F (5°C). L'ajustement peut être réglé entre 30°F (15°C) et -30°F (-15°C).
4. Appuyer sur START (mise en marche).

UTILISATION DU FOUR

Des odeurs et de la fumée sont normales lorsque le four est utilisé les premières fois, ou lorsqu'il est très sale.

IMPORTANT : La santé de certains oiseaux est très sensible aux émanations de fumée. L'exposition aux émanations peut entraîner la mort de certains oiseaux. Toujours déplacer les oiseaux dans une autre pièce fermée et bien aérée.

Papier d'aluminium

IMPORTANT : Pour éviter des dommages permanents au fini du fond du four, ne pas recouvrir le fond avec du papier d'aluminium, un revêtement quelconque ou un ustensile de cuisson.

- Pour assurer une bonne circulation de l'air et des résultats de cuisson optimaux, ne pas recouvrir la grille entière de papier d'aluminium.
- Pour récupérer les renversements, placer une feuille de papier d'aluminium sur la grille sur laquelle le plat est placé. Veiller à ce qu'elle dépasse d'au moins 1/2" (1,3 cm) tout autour du plat et à ce que les bords soient relevés.

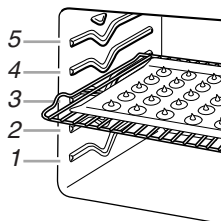
Positionnement des grilles et des ustensiles de cuisson

IMPORTANT : Pour éviter des dommages permanents au fini en porcelaine, ne pas placer d'aliments ou d'ustensiles de cuisson directement sur la porte ou le fond du four.

GRILLES

- Positionner les grilles avant d'allumer le four.
- Ne pas déplacer les grilles sur lesquelles repose un ustensile de cuisson.
- S'assurer que les grilles sont de niveau.

Pour déplacer une grille, la tirer jusqu'à la position d'arrêt, soulever le bord avant et la sortir. Utiliser le schéma et les tableaux suivants comme guides.



Cuisson traditionnelle

ALIMENT	POSITION DE LA GRILLE
Gros rôtis, dindes, gâteaux des anges et gâteaux Bundt, pains éclairs, tartes	1 ou 2
Pains à la levure, mets en sauce, viande et volaille	2
Biscuits, muffins et gâteaux	2 ou 3

Cuisson par convection

FONCTION DU FOUR	NOMBRE DE GRILLES UTILISÉES	POSITION(S) DE LA GRILLE
Cuisson au four ou rôtissage par convection	1	1, 2 ou 3
Cuisson au four par convection	2	2 et 4
Cuisson au four par convection	3	1, 3 et 5

USTENSILES DE CUISSON

L'air chaud doit pouvoir circuler autour de l'aliment pour le cuire uniformément. Laisser 2" (5 cm) d'espace entre les ustensiles de cuisson et les parois du four. Se servir du tableau suivant comme guide.

NOMBRE D'USTENSILES	POSITION SUR LA GRILLE
1	Centre de la grille.
2	Côte à côte ou légèrement décalés.
3 ou 4	Dans les coins opposés sur chaque grille. Décaler les ustensiles de sorte qu'aucun ne soit directement au-dessus de l'autre.

Ustensiles de cuisson

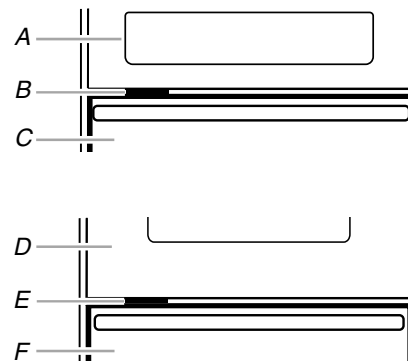
Le matériau des ustensiles de cuisson affecte les résultats de cuisson. Suivre les recommandations du fabricant et utiliser le format d'ustensiles recommandé dans la recette. Se servir du tableau suivant comme guide.

USTENSILES DE CUISSON/RÉSULTATS	RECOMMANDATIONS
Aluminium légèrement coloré <ul style="list-style-type: none"> ■ Croûtes légèrement dorées ■ Brunissage uniforme 	<ul style="list-style-type: none"> ■ Utiliser la température et la durée recommandées dans la recette.
Aluminium foncé et autres ustensiles de cuisson avec fini foncé, terne et/ou antiadhésif <ul style="list-style-type: none"> ■ Croûtes brunes, croustillantes 	<ul style="list-style-type: none"> ■ Peut nécessiter de réduire légèrement les températures de cuisson. ■ Utiliser la durée de cuisson suggérée. ■ Pour les tartes, pains et mets en sauce, utiliser la température recommandée dans la recette. ■ Placer la grille au centre du four.
Tôles à biscuits ou moules à cuisson à isolation thermique <ul style="list-style-type: none"> ■ Brunissage faible ou non existant à la base 	<ul style="list-style-type: none"> ■ Placer à la troisième position au bas du four. ■ Peut nécessiter d'augmenter le temps de cuisson.
Acier inoxydable <ul style="list-style-type: none"> ■ Croûtes dorées, légères ■ Brunissage inégal 	<ul style="list-style-type: none"> ■ Peut nécessiter d'augmenter le temps de cuisson.
Plats en grès/Pierre de cuisson <ul style="list-style-type: none"> ■ Croûtes croustillantes 	<ul style="list-style-type: none"> ■ Suivre les instructions du fabricant.
Plats en verre, vitrocéramique ou céramique allant au four <ul style="list-style-type: none"> ■ Croûtes brunes, croustillantes 	<ul style="list-style-type: none"> ■ Peut nécessiter de réduire légèrement la température de cuisson.

Thermomètre à viande

Sur les modèles sans sonde thermométrique, se servir d'un thermomètre à viande pour vérifier si la cuisson de la viande, de la volaille et du poisson est au degré de cuisson désiré. C'est la température interne qui indique le degré de cuisson et non l'apparence. Il n'y a pas de thermomètre à viande fourni avec cet appareil. Suivre les instructions du fabricant pour l'emploi d'un thermomètre à viande.

Évent du four



Four simple

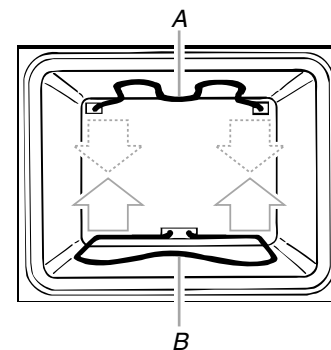
A. Tableau de commande
B. Évent du four
C. Four

Four double

D. Four supérieur
E. Évent du four
F. Four inférieur

Ne pas obstruer ni couvrir l'évent du four car il permet à l'air chaud et à l'humidité de s'échapper du four. Son obstruction nuirait à la circulation adéquate de l'air et affecterait les résultats de cuisson et de nettoyage. Ne pas placer de plastiques, de papiers ou tout autre article qui pourrait fondre ou brûler près de l'évent du four.

Cuisson au four et rôtissage



A. Élément de cuisson au gril
B. Élément de cuisson au four

Système de gestion de la température ACCUBAKE®

(sur certains modèles)

Le système ACCUBAKE® règle électroniquement les niveaux de chaleur du four pendant le préchauffage et la cuisson au four pour maintenir une gamme de températures précises pour des résultats de cuisson optimaux. Les éléments de cuisson au four et du gril s'allument et s'éteignent par intermittence. L'élément de cuisson au four devient rouge lorsque le programme est activé, mais pas l'élément du gril. Cette caractéristique est automatiquement activée lorsque le four est utilisé.

Avant la cuisson au four et le rôtissage, placer les grilles tel qu'indiqué à la section "Positionnement des grilles et des ustensiles de cuisson". Lors du rôtissage, il n'est pas nécessaire d'attendre que la durée de préchauff du four soit écoulée avant de placer l'aliment au four, excepté si la recette le recommande.

Si la porte du four est ouverte durant la cuisson au four et le rôtissage, les éléments de cuisson au four et de cuisson au gril s'éteindront immédiatement. Ces éléments reviendront en fonction lorsque la porte sera fermée.

Cuisson au four ou rôtissage :

1. Sur les modèles à double four seulement, appuyer sur UPPER OVEN (four supérieur) ou LOWER OVEN (four inférieur).
Fermer la porte du four. L'affichage indiquera "door" et les éléments de chauffage ne chaufferont pas si la porte est ouverte durant la cuisson au four et le rôtissage.
2. Appuyer sur BAKE (cuisson au four).
Appuyer sur la touche TEMP "plus" (+) ou "moins" (-) pour entrer une température autre que 350°F (177°C). La température de cuisson au four peut être réglée entre 170°F et 500°F (77°C et 260°C).
3. Appuyer sur START (mise en marche).
Une durée de préchauffage fera l'objet d'un compte à rebours et "PrE" apparaîtra sur l'affichage du four si la température réelle du four est inférieure à 170°F (77°C).
Lorsque la température réelle atteint 170°F (77°C), la minuterie poursuivra le compte à rebours. Le réglage de la température peut être modifié en tout temps après avoir appuyé sur START.
Lorsque la température réglée est atteinte, un signal sonore (si activé) se fait entendre.
4. Appuyer sur UPPER OFF/CANCEL (arrêt du four supérieur), LOWER OFF/CANCEL (arrêt du four inférieur) ou OFF/CANCEL (arrêt/annulation) lorsque la cuisson est terminée.

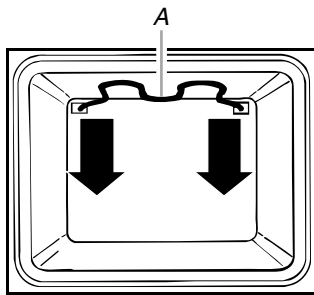
Préchauffage

Après que l'on a appuyé sur START, le four commence un préchauffage de conditionnement minuté. "PrE" et la durée du compte à rebours apparaissent sur l'afficheur. À la fin du préchauffage de conditionnement, un signal sonore se fait entendre et la température sélectionnée apparaît sur l'afficheur.

Les températures de préchauffage sont affectées par divers facteurs tels que la température ambiante et les heures de pointe de consommation d'énergie. Il est normal que la température indiquée sur l'affichage diffère de la température réelle du four.

On recommande d'attendre encore 10 minutes après la fin de la durée de préchauffage de conditionnement avant de mettre les aliments au four lorsqu'on fait cuire des aliments comportant des levains tels que levure de bière, poudre à lever, bicarbonate de soude et oeufs.

Cuisson au gril et cuisson au gril personnalisée



A. Élément de cuisson au gril

La cuisson au gril utilise une chaleur radiante directe pour cuire les aliments. Durant la cuisson au gril, l'élément de cuisson au gril s'allume et s'éteint par intermittence pour maintenir la température du four.

En cas d'ouverture de la porte durant la cuisson au gril, l'élément du gril s'éteint immédiatement et se rallume dès la fermeture de la porte.

- Pour de meilleurs résultats, utiliser une lèchefrite et une grille. Elles sont conçues pour laisser s'écouler les jus et empêcher les éclaboussures et la fumée.
Il est possible de commander une lèchefrite si votre modèle n'en comporte pas. Voir la section "Assistance ou service" pour placer une commande. Demandez la pièce numéro 4396923.
- Pour un écoulement approprié, ne pas couvrir la grille avec du papier d'aluminium. Le fond de la lèchefrite peut être garni de papier d'aluminium pour faciliter le nettoyage.
- Enlever l'excès de gras pour réduire les éclaboussures. Entailler le gras qui reste pour l'empêcher de se cintrer.
- Retirer la grille jusqu'à la butée d'arrêt avant de tourner ou d'enlever les aliments. Utiliser des pinces pour tourner les aliments afin d'éviter la perte de jus. Des coupes très minces de poisson, volaille ou viande peuvent ne pas nécessiter d'être tournées.
- Après la cuisson au gril, retirer la lèchefrite lors de l'enlèvement de l'aliment. Des résidus de graisse cuiront sur la lèchefrite si on laisse celle-ci dans un four encore chaud, ce qui rend le nettoyage plus difficile.

Cuisson au gril :

Avant la cuisson au gril ou avant la cuisson au gril personnalisée, placer la grille conformément au tableau de cuisson au gril.

Placer l'aliment sur la grille de la lèchefrite, puis placer la lèchefrite au centre de la grille du four, le côté le plus long parallèle à la porte du four. Il n'est pas nécessaire de préchauffer le four avant d'y mettre l'aliment, excepté si la recette le recommande.

Fermer la porte.

1. Sur les modèles à double four seulement, appuyer sur UPPER OVEN (four supérieur) ou LOWER OVEN (four inférieur).
2. Appuyer sur CUSTOM BROIL (cuisson au gril personnalisée).
3. Appuyer sur START (mise en marche).
La température du four réglée apparaîtra sur l'affichage du four jusqu'à ce que le four soit éteint.
4. Appuyer sur UPPER OFF/CANCEL (arrêt/annulation du four supérieur), LOWER OFF/CANCEL (arrêt/annulation du four inférieur) ou OFF/CANCEL (arrêt/annulation) lorsque la cuisson est terminée.

Cuisson au gril personnalisée :

Le changement de température lors de la cuisson au gril personnalisée permet un contrôle plus précis de la cuisson. Plus la température est basse, plus la cuisson est lente. Les coupes plus épaisses et les pièces de viande, de poisson et de volaille de forme inégale peuvent mieux cuire à des températures de cuisson plus basses.

1. Sur les modèles à double four seulement, appuyer sur UPPER OVEN (four supérieur) ou LOWER OVEN (four inférieur).
2. Appuyer sur CUSTOM BROIL (cuisson au gril personnalisée).
3. Appuyer sur la touche TEMP "plus" (+) ou "moins" (-) pour entrer une température autre que 500°F (260°C). La température de cuisson au gril peut être réglée entre 170°F et 500°F (77°C et 260°C).
4. Appuyer sur START (mise en marche).
La température du four réglée apparaîtra sur l'affichage du four jusqu'à ce que le four soit éteint.

- Appuyer sur UPPER OFF/CANCEL (arrêt/annulation du four supérieur), LOWER OFF/CANCEL (arrêt/annulation du four inférieur) ou OFF/CANCEL (arrêt/annulation) lorsque la cuisson est terminée.

TABLEAU DE CUISSON AU GRIL

Pour obtenir les meilleurs résultats, placer l'aliment à au moins 3" (7 cm) de l'élément de cuisson au grill. Les durées de cuisson indiquées sont seulement des recommandations et peuvent être ajustées selon les goûts individuels. Les positions recommandées de la grille sont indiquées de la base (1) jusqu'en haut (5). Pour un dessin, voir la section "Positionnement des grilles et ustensiles de cuisson".

ALIMENTS	POSITION DE LA GRILLE	DURÉE DE CUISSON (minutes)	
		CÔTÉ 1	CÔTÉ 2
Bifteck 1" (2,5 cm) d'épaisseur			
saignant-à point	4	14-15	7-8
à point	4	15-16	8-9
bien cuit	4	18-19	9-10
Galettes de viande hachée* ¾" (2 cm) d'épaisseur	4	13-14	7-8
bien cuites			
Côtelettes de porc 1" (2,5 cm) d'épaisseur	4	20-22	10-11
Tranche de jambon précuit ½" (1,25 cm) d'épaisseur	4	8-10	4-5
Saucisses de Francfort	4	5-7	3-4
Côtelettes d'agneau 1" (2,5 cm) d'épaisseur	4	14-17	8-9
Poulet morceaux avec os	3	17-20	17-20
poitrines désossées	4	11-16	11-16
Filets de poisson ¼-½" (0,6-1,25 cm) d'épaisseur	4	8-10	4-5
Darnes de poisson ¾-1" (2-2,5 cm) d'épaisseur	4	16-18	8-9

*Placer jusqu'à 12 galettes, également espacées sur la grille de la lèchefrite.

Cuisson par convection

(sur certains modèles)

Dans un four à convection, l'air chaud que fait circuler le ventilateur distribue la chaleur de façon continue et plus uniformément que le mouvement naturel de l'air dans un four thermique standard. Ce déplacement de l'air chaud aide à maintenir une température constante dans tout le four, permettant de cuire les aliments plus uniformément, en plus de donner des surfaces et du pain croustillants tout en conservant l'humidité.

La plupart des aliments peuvent être cuits en réduisant les températures de cuisson de 25°F à 50°F (14°C à 28°C) et la durée de cuisson peut être réduite jusqu'à 30 pour cent, surtout pour les gros rôtis et dindes.

- Il est important de ne pas couvrir les aliments avec des couvercles ou du papier d'aluminium de telle sorte que la surface reste exposée au déplacement de l'air, permettant ainsi le brunissage et le croustillant.
- Éviter au maximum la perte de chaleur en ouvrant la porte du four seulement lorsque c'est nécessaire.
- Choisir des tôles à biscuits sans bord et des plats de rôtissage à côtés plus bas pour permettre à l'air de circuler librement autour de l'aliment.
- Vérifier le degré de cuisson des aliments quelques minutes avant le temps de cuisson minimum, en utilisant un cure-dents par exemple.

⚠ AVERTISSEMENT



Risque de brûlures

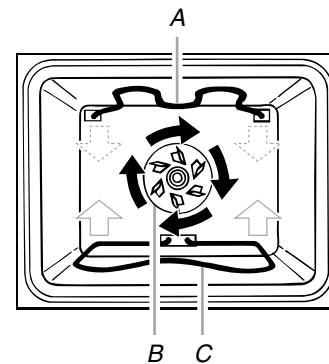
Utiliser des mitaines de four pour retirer la sonde thermométrique.

Ne pas toucher l'élément du grill.

Le non-respect de ces instructions peut causer des brûlures.

- Utiliser un thermomètre à viande ou la sonde thermométrique (sur certains modèles) pour déterminer le degré de cuisson des viandes et de la volaille.

Cuisson au four et rôtissage par convection



A. Élément de cuisson au grill

B. Ventilateur de convection

C. Élément de cuisson au four

Durant la cuisson au four ou le rôtissage par convection, les éléments de cuisson au four et au grill s'allument et s'éteignent par intermittence pour maintenir la température du four et le ventilateur fait circuler constamment l'air chaud.

Si la porte du four est ouverte durant la cuisson au four ou le rôtissage par convection, les éléments de cuisson au four et au grill et le ventilateur s'éteignent immédiatement. Ils se rallument une fois la porte fermée.

- Pour des résultats de cuisson idéale, ne pas utiliser de papier d'aluminium.
- Réduire la température recommandée dans la recette de 25°F (14°C). La durée de cuisson peut également être diminuée. Consulter le livre de recettes fourni avec ce four pour de plus amples informations.

Cuisson au four ou rôtissage par convection :

Avant la cuisson au four ou le rôtissage par convection, placer les grilles tel qu'indiqué à la section "Positionnement des grilles et des ustensiles de cuisson". Lors de l'utilisation de deux grilles, les placer aux positions 2 et 4.

Pour de meilleurs résultats, il est recommandé d'utiliser une grille de rôtissage lors de la cuisson au four par convection. Ceci permet la libre circulation de l'air autour de toutes les surfaces des aliments. Il est possible de commander un ensemble lèche-frite/grille de rôtissage. Voir la section "Assistance ou service" pour passer commande. Demander la pièce N° W10123240.

1. Appuyer sur CONVECT (UPPER) (four supérieur).

Fermer la porte du four. L'affichage indiquera "door" et les éléments de chauffage ne chaufferont pas si la porte est ouverte durant la cuisson au four et le rôtissage.

Appuyer sur la touche TEMP "+" ou "-" pour entrer une température autre que 325°F (165°C). La température de cuisson peut être réglée entre 170°F et 500°F (75°C et 260°C).

2. Appuyer sur START (mise en marche).

La durée de préchauffage fera l'objet d'un compte à rebours et "PrE" apparaîtra sur l'affichage du four si la température réelle du four est inférieure à 170°F (75°C).

Lorsque la température réelle atteint 170°F (75°C), la minuterie poursuivra le compte à rebours. Le réglage de la température peut être modifié en tout temps après avoir appuyé sur START.

Lorsque la température réglée est atteinte, un signal sonore (si activé) se fait entendre.

3. Appuyer sur UPPER OFF/CANCEL (arrêt/annulation du four supérieur), LOWER OFF/CANCEL (arrêt/annulation du four inférieur) ou OFF/CANCEL (arrêt/annulation) lorsque la cuisson est terminée.

TABLEAU DE RÔTISSAGE PAR CONVECTION

ALIMENTS/ POSITION DE LA GRILLE	DURÉE DE CUISSON (en min par lb [454 g])	TEMP. DU FOUR	TEMP. INTERNE DES ALIMENTS
Bœuf, position de grille 2			
Rôti de côte			
saignant	20-25	300°F (149°C)	140°F (60°C)
à point	25-30		160°F (71°C)
bien cuit	30-35		170°F (77°C)
Rôti de côte (désossé)			
saignant	22-25	300°F (149°C)	140°F (60°C)
à point	27-30		160°F (71°C)
bien cuit	32-35		170°F (77°C)
Rôti de croupe ou d'ailoyau			
saignant	20-25	300°F (149°C)	140°F (60°C)
à point	25-30		160°F (71°C)
bien cuit	30-35		170°F (77°C)
Pain de viande	20-25	325°F (163°C)	165°F (74°C)
Veau, position de grille 2			
Rôti de longe, de côte, de croupe			
à point	25-35	325°F (163°C)	160°F (71°C)
bien cuit	30-40		170°F (77°C)

ALIMENTS/ POSITION DE LA GRILLE	DURÉE DE CUISSON (en min par lb [454 g])	TEMP. DU FOUR	TEMP. INTERNE DES ALIMENTS
Porc, position de grille 2			
Rôti de longe (désossé)	30-40	325°F (163°C)	160°F-170°F (71°C-77°C)
Rôti d'épaule	35-40	325°F (163°C)	160°F-170°F (71°C-77°C)

Jambon, position de grille 2			
Frais (non cuit)	25-35	300°F (149°C)	160°F (71°C)
Entière- ment cuit	15-20	300°F (149°C)	160°F (71°C)

Agneau, position de grille 2			
Gigot, rôti d'épaule			
à point	25-30	300°F (149°C)	160°F (71°C)
bien cuit	30-35		170°F (77°C)

Poulet*, position de grille 2			
Entier			
3 à 5 lb (1,5 à 2,2 kg)	20-25	325°F (163°C)	180°F (82°C)
5 à 7 lb (2,2 à 3,1 kg)	15-20	325°F (163°C)	180°F (82°C)

Dinde*, position de grille 1 ou 2			
13 lb et moins (5,85 kg)	10-15	300°F (149°C)	180°F (82°C)
Plus de 13 lb (5,85 kg)	10-12	300°F (149°C)	180°F (82°C)

Poulet de Cornouailles*, position de grille 2 ou 3			
1 à 1,5 lb (0,5 à 0,7 kg)	50-60	325°F (163°C)	180°F (82°C)

*Ne pas farcir la volaille lors du rôtissage par convection.

Cuisson minutée

AVERTISSEMENT

Risque d'empoisonnement alimentaire

Ne pas laisser des aliments dans un four plus d'une heure avant ou après la cuisson.

Le non-respect de cette instruction peut causer un empoisonnement alimentaire ou une maladie.

La cuisson minutée permet d'allumer le four à une certaine heure de la journée, de faire cuire pendant une durée réglée et/ou d'éteindre le four automatiquement.

Réglage d'une durée de cuisson :

1. Sur les modèles à double four seulement, appuyer sur UPPER OVEN (four supérieur) ou LOWER OVEN (four inférieur).

2. Appuyer sur BAKE (cuisson au four) ou CONVECT UPPER (convection four supérieur) sur certains modèles.
Appuyer sur les touches numériques pour entrer une température autre que celle qui est affichée.
3. Appuyer sur COOK TIME (durée de cuisson).
4. Appuyer sur les touches HOUR et MIN "+" ou "-", pour entrer la durée de cuisson.
5. Appuyer sur START (mise en marche).
Le compte à rebours de l'heure de mise en marche et d'arrêt
Sur les modèles de four double uniquement, lorsque les fours supérieur et inférieur sont utilisés au même moment, appuyer sur UPPER OVEN (four supérieur) ou LOWER OVEN (four inférieur) pour afficher les durées de cuisson respectives. sur l'afficheur.
Lorsque l'heure d'arrêt est atteinte, le four s'arrête automatiquement et "End" (fin) apparaît sur l'afficheur du four.
Si activés, les signaux sonores de fin de programme se font entendre, suivis des signaux de rappel à intervalles de 1 minute.
6. Appuyer sur UPPER OFF/CANCEL, LOWER OFF/CANCEL ou OFF/CANCEL (arrêt/annulation) ou ouvrir la porte du four pour effacer l'affichage et/ou arrêter les signaux de rappel.

Réglage de la durée de cuisson et de l'heure d'arrêt :

Avant le réglage, s'assurer que l'horloge est réglée à l'heure exacte. Voir la section "Horloge".

1. Sur les modèles à double four seulement, appuyer sur UPPER OVEN (four supérieur) ou LOWER OVEN (four inférieur).

2. Appuyer sur BAKE (cuisson au four) ou CONVECT UPPER (convection four supérieur) sur certains modèles.
Appuyer sur la touche TEMP "+" ou "-" pour entrer une température autre que celle qui est affichée.
3. Appuyer sur COOK TIME (durée de cuisson).
4. Appuyer sur les touches HOUR et MIN "+" ou "-", pour entrer la durée de cuisson.
5. Appuyer sur STOP TIME (heure d'arrêt).
Lorsque l'heure d'arrêt est atteinte, le four s'arrête automatiquement et "End" (fin) apparaît sur l'afficheur du four.
Si activés, les signaux sonores de fin de programme se font entendre, suivis des signaux de rappel à intervalles de 1 minute.
6. Appuyer sur START (mise en marche).
L'heure de mise en marche est calculée et affichée automatiquement. "TIMED", "DELAY" et l'heure d'arrêt apparaissent aussi sur l'afficheur.
Lorsque l'heure de mise en marche est atteinte, le four s'allume automatiquement. Lorsque l'heure d'arrêt est atteinte, le four se met en marche. automatiquement et le compte à rebours en minutes apparaît sur l'afficheur du four.
7. Appuyer sur UPPER OFF/CANCEL (arrêt/annulation du four supérieur), LOWER OFF/CANCEL (arrêt/annulation du four inférieur) ou OFF/CANCEL (arrêt/annulation) ou ouvrir la porte du four pour effacer l'affichage et/ou arrêter les signaux de rappel.

ENTRETIEN DU FOUR

Programme d'autonettoyage (sur certains modèles)

AVERTISSEMENT



Risque de brûlures

Ne pas toucher le four au cours du programme d'autonettoyage.

Garder les enfants loin du four au cours du programme d'autonettoyage.

Le non-respect de ces instructions peut causer des brûlures.

IMPORTANT : La santé de certains oiseaux est très sensible aux émanations qui surviennent durant le programme d'autonettoyage. L'exposition aux émanations peut entraîner la mort de certains oiseaux. Toujours déplacer les oiseaux dans une autre pièce fermée et bien aérée.

Procéder à l'autonettoyage du four avant qu'il ne devienne très sale. Les saletés intenses nécessitent un nettoyage plus long et dégagent plus de fumée.

Veiller à ce que la cuisine soit bien aérée pendant le programme d'autonettoyage afin d'aider à éliminer la chaleur, les odeurs et la fumée.

Ne pas obstruer le ou les événements du four durant le programme d'autonettoyage. L'air doit pouvoir circuler librement. Selon votre modèle, voir la section "Évent du four" ou "Événements du four".

Ne pas nettoyer, frotter, endommager ou déplacer le joint d'étanchéité de la porte du four. Le joint de la porte est essentiel pour une bonne étanchéité.

Préparation du four :

- Sortir du four la lèchefrite, la grille et les ustensiles de cuisson au four et, sur certains modèles, la sonde thermométrique.
Sortir les grilles du four pour les garder brillantes et pour qu'elles glissent facilement. Voir la section "Nettoyage général" pour plus de renseignements.
- Enlever tout papier d'aluminium du four ; celui-ci risquerait de brûler ou de fondre et d'endommager le four.
- Nettoyer manuellement l'intérieur de la porte et une zone de 1½" (3,8 cm) sur le pourtour du cadre de la cavité du four, en prenant soin de ne pas déplacer ni plier le joint d'étanchéité. Cette section ne devient pas assez chaude au cours du programme d'autonettoyage pour pouvoir éliminer la saleté. Ne pas laisser de l'eau, un nettoyant, etc. pénétrer dans les fentes du cadre de la porte. Nettoyer cette zone avec un chiffon humide.

- Essuyer toute saleté décollée afin de réduire la fumée et d'éviter les dommages. À des températures élevées, les aliments réagissent avec la porcelaine. Cette réaction peut causer des taches, des attaques, des piqûres ou de légères taches blanches. Ceci n'affectera pas la performance de cuisson.

Comment fonctionne le programme :

IMPORTANT : Le chauffage et le refroidissement de la porcelaine sur l'acier dans le four peuvent causer une décoloration, une perte de fini luisant, des fissures minuscules et des sons d'éclatement.

Le programme d'autonettoyage utilise des températures très élevées, en brûlant les saletés pour les réduire en cendre.

Le four est préréglé pour un programme de nettoyage de 3 h 30 minutes, mais la durée peut être changée. Les durées de nettoyage suggérées sont de 2 h 30 minutes pour des saletés légères et entre 3 h 30 minutes et 4 h 30 minutes pour des saletés moyennes à abondantes.

Lorsque le four a complètement refroidi, retirer la cendre avec un chiffon humide. Pour éviter de casser le verre, ne pas appliquer de chiffon froid humide sur le hublot de la porte interne avant qu'il n'ait complètement refroidi.

La lampe du four ne fonctionnera pas durant le programme d'autonettoyage.

Sur les modèles combinés, le four supérieur ne fonctionnera pas durant le programme d'autonettoyage.

Autonettoyage :

Avant l'autonettoyage, s'assurer que la porte est complètement fermée sinon elle ne se verrouillera pas et le programme ne commencera pas.

1. Appuyer sur AUTO CLEAN (autonettoyage).
Appuyer les touches numériques établir une durée de nettoyage autre que 3 h 30 minutes. La durée de nettoyage peut être réglée entre 2 h 30 minutes et 4 h 30 minutes par tranches de 30 minutes.
2. Appuyer sur START (mise en marche).
La porte du four se verrouillera automatiquement. "DOOR LOCKED" (porte verrouillée) apparaît sur l'afficheur du four inférieur. La porte ne se déverrouillera pas avant que le four n'ait refroidi.
Lorsque le programme est terminé et que le four a refroidi, "End" (fin) apparaîtra sur l'afficheur du four inférieur et "DOOR LOCKED" (porte verrouillée) s'effacera.
3. Appuyer sur n'importe quelle touche ou ouvrir la porte du four pour effacer l'affichage.

Pour différer l'autonettoyage :

Avant de retarder la mise en marche de l'autonettoyage, s'assurer que l'horloge est réglée à la bonne heure du jour. Voir la section "Horloge". S'assurer également que la porte est complètement fermée sinon elle ne se verrouillera pas et le programme ne commencera pas.

1. Appuyer sur AUTO CLEAN (autonettoyage).
Appuyer sur les touches numériques pour établir une durée de nettoyage autre que 3 h 30 minutes. La durée de nettoyage peut être réglée entre 2 h 30 minutes et 4 h 30 minutes par tranches de 30 minutes.
Appuyer sur STOP TIME (heure d'arrêt).
2. Appuyer sur les numériques pour entrer l'heure d'arrêt.

3. Appuyer sur START (mise en marche).
L'heure de mise en marche est automatiquement calculée et affichée.
La porte se verrouille automatiquement et "DOOR LOCKED" (porte verrouillée), "DELAY", apparaîtront sur l'afficheur. La porte ne se déverrouille pas avant que le four ait refroidi.
Lorsque l'heure de mise en marche est atteinte, le four s'allume automatiquement.
Lorsque le programme est terminé et le four a refroidi, "End" (fin) apparaîtra sur l'afficheur du four inférieur et "DOOR LOCKED" (porte verrouillée) s'effacera.
4. Appuyer sur n'importe quelle touche ou ouvrir la porte du four pour effacer l'affichage.

Pour arrêter le programme d'autonettoyage à tout moment :

Appuyer sur OFF/CANCEL (arrêt/annulation) du four inférieur. Si la température du four est trop élevée, la porte demeure verrouillée. Elle ne se déverrouille pas jusqu'à ce que le four ait refroidi.

Nettoyage général

IMPORTANT : Avant le nettoyage, s'assurer que toutes les commandes sont éteintes et que le four est froid. Toujours suivre les instructions sur les étiquettes des produits de nettoyage.

Du savon, de l'eau et un chiffon doux ou une éponge sont recommandés à moins d'indication contraire.

ACIER INOXYDABLE (sur certains modèles)

Méthode de nettoyage :

Frotter dans le sens du grain pour éviter d'endommager le fini.

- Nettoyant et poli pour acier inoxydable - Pièce n° 31462 (non inclus) :
Voir la section "Assistance ou service" pour placer une commande.
- Détergent liquide ou nettoyant tout-usage :
Rincer à l'eau propre et sécher avec un chiffon doux sans charpie.

Ne pas utiliser de tampons de récurage savonneux, nettoyants abrasifs, crème à polir pour table de cuisson, tampons en laine d'acier, chiffons de lavage rudes ou certains essuie-tout abrasifs sur les surfaces en acier inoxydable. Des dommages peuvent survenir.

EXTÉRIEUR DE LA PORTE DU FOUR

Méthode de nettoyage :

- Nettoyant à vitre et chiffon doux ou éponge :
Appliquer le nettoyant à vitre sur un chiffon doux ou une éponge, et non pas directement sur le tableau.
- Nettoyant tout-usage pour appareil ménager - Pièce n° 31682 (non inclus) :
Voir la section "Assistance ou service" pour placer une commande.

TABLEAU DE COMMANDE

Méthode de nettoyage :

- Nettoyant à vitre et chiffon doux ou éponge : Appliquer le nettoyant à vitre sur un chiffon doux ou une éponge, et non pas directement sur le tableau.
- Nettoyant tout-usage pour appareil ménager - Pièce n° 31682 (non inclus) : Voir la section "Assistance ou service" pour placer une commande.

Ne pas utiliser des nettoyants abrasifs, tampons en laine d'acier, chiffons de lavage rudes ou certains essuie-tout abrasifs. Des dommages peuvent survenir.

CAVITÉ DU FOUR

Ne pas utiliser les nettoyants à four.

Les renversements d'aliments devraient être nettoyés lorsque le four est refroidi. Aux températures élevées, les aliments affectent la porcelaine et des taches, éclats, piqûres ou marques blanchâtres peuvent survenir.

Méthode de nettoyage :

- Programme d'autonettoyage : Voir d'abord "Programme d'autonettoyage".

GRILLES DU FOUR

Méthode de nettoyage :

- Programme d'autonettoyage : Voir d'abord "Programme d'autonettoyage". Il faut ôter les grilles sinon elles se décolorent et deviendront plus difficiles à faire glisser. Le cas échéant, un léger revêtement d'huile végétale appliqué sur les glissières des grilles les aidera à mieux glisser.
- Tampon en laine d'acier

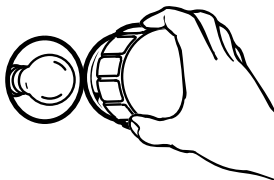
Lampes du four

Les lampes du four ont des ampoules d'appareil ménager standard de 15 watts. Elles s'allument lorsque la porte du four est ouverte. Elles ne fonctionneront pas durant le programme d'autonettoyage. Lorsque la porte du four est fermée, appuyer sur OVEN LIGHT (lampe du four) pour les allumer ou les éteindre.

Remplacement :

Avant le remplacement, s'assurer que le four est éteint et froid.

1. Déconnecter la source de courant électrique.
2. Tourner le couvercle en verre des ampoules au fond du four dans le sens antihoraire pour l'enlever.



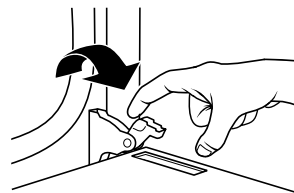
3. Tourner l'ampoule dans le sens antihoraire pour l'enlever de la douille.
4. Replacer l'ampoule et le couvercle de l'ampoule en les tournant dans le sens horaire.
5. Reconnecter la source de courant électrique.

Porte du four

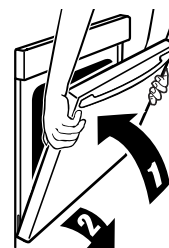
Il n'est pas recommandé d'enlever la porte du four pour une utilisation normale. Toutefois, si la dépose est nécessaire, s'assurer que le four est éteint et froid. Puis, suivre ces instructions. La porte du four est lourde.

Dépose :

1. Ouvrir la porte du four complètement.
2. Relever le verrou de charnière de chaque côté.



3. Fermer la porte du four aussi loin qu'elle peut aller.
4. Soulever la porte du four en la retenant de chaque côté. Continuer de maintenir la porte du four fermée et la dégager du châssis de la porte du four.



Réinstallation :

1. Insérer les deux bras de suspension dans la porte.



2. Ouvrir la porte du four. Vous devriez entendre un déclic lors de la mise en place de la porte.
3. Remettre les leviers des charnières à la position verrouillée. Effectuer quelques manœuvres d'ouverture/fermeture de la porte du four pour en vérifier le bon fonctionnement. En cas d'impossibilité d'ouverture ou de fermeture parfaite de la porte, répéter le processus de dépose et d'installation de la porte.

DÉPANNAGE

Essayer d'abord les solutions suggérées ici afin d'éviter le coût d'une visite de service non nécessaire.

Rien ne fonctionne

- **Un fusible est-il grillé ou le disjoncteur s'est-il déclenché?**
Remplacer le fusible ou réenclencher le disjoncteur. Si le problème persiste, appeler un électricien.
- **L'appareil est-il correctement raccordé?**
Voir les instructions d'installation.

Le four ne fonctionne pas

- **La commande électronique du four est-elle correctement réglée?**
Voir la section "Commande électronique du four".
- **Une mise en marche différée a-t-elle été réglée?**
Voir la section "Cuisson minutée".
- **Sur certains modèles, le verrouillage des commandes est-il réglé?**
Voir la section "Verrouillage des commandes".
- **Sur certains modèles, le mode Sabbat est-il réglé?**
Voir la section "Mode Sabbat".
- **Sur les modèles à double four, un des fours est-il en train d'effectuer un programme d'autonettoyage?**
Lorsqu'un four effectue un programme d'autonettoyage, l'autre four ne peut pas être réglé ou allumé.
- **Pour les modèles à double four, a-t-on sélectionné le bon four?**
Choisir d'abord UPPER OVEN (four supérieur) ou LOWER OVEN (four inférieur).

La température du four est trop élevée ou trop basse

- **Le calibrage de la température du four a-t-il besoin d'être ajusté?**
Voir la section "Commande de la température du four".

L'affichage indique des messages

- **L'affichage indique-t-il "PF", "PF id=27" ou "PF id=30"?**
Une panne de courant est survenue. Effacer l'affichage. Voir la section "Affichage(s)". Sur certains modèles, régler de nouveau l'horloge au besoin. Voir la section "Horloge".
- **L'affichage indique-t-il une lettre suivie d'un chiffre?**
Effacer l'affichage. Voir la section "Affichage(s)". S'il réapparaît, faire un appel de service. Voir la section "Assistance ou service".

Le programme d'autonettoyage ne fonctionne pas

- **La porte du four est-elle ouverte?**
Fermer la porte du four complètement.

- **La fonction a-t-elle été entrée?**
Voir la section "Programme d'autonettoyage".
- **Sur certains modèles, un programme d'autonettoyage à mise en marche différée a-t-il été réglé?**
Voir la section "Programme d'autonettoyage".
- **Une mise en marche différée a-t-elle été réglée?**
Voir la section "Cuisson minutée".
- **Sur les modèles à double four, un des fours est-il en train d'effectuer un programme d'autonettoyage?**
Lorsqu'un four effectue un programme d'autonettoyage, l'autre four ne peut pas être réglé pour un programme d'autonettoyage.

Les résultats de cuisson au four ne sont pas les résultats prévus

- **L'appareil est-il d'aplomb?**
Mettre l'appareil d'aplomb. Voir les instructions d'installation.
- **La température correcte est-elle réglée?**
Contre-vérifier la recette dans un livre de recettes fiable.
- **La température correcte du four est-elle réglée?**
Voir la section "Commande de la température du four".
- **Le four a-t-il été préchauffé?**
Voir la section "Cuisson au four et rôtissage".
- **Utilise-t-on un ustensile de cuisson au four approprié?**
Voir la section "Ustensiles de cuisson".
- **Les grilles sont-elles en bonne position?**
Voir la section "Positionnement des grilles et ustensiles de cuisson".
- **Existe-t-il une circulation d'air appropriée autour des ustensiles de cuisson?**
Voir la section "Positionnement des grilles et ustensiles de cuisson".
- **La pâte est-elle distribuée uniformément dans le plat?**
Vérifier que la pâte est répartie uniformément dans le plat.
- **Utilise-t-on une durée de cuisson appropriée?**
Ajuster la durée de cuisson.
- **La porte a-t-elle été ouverte pendant la cuisson?**
L'ouverture de la porte pour vérifier la cuisson laisse la chaleur du four s'échapper et peut nécessiter des durées de cuisson plus longues.
- **Les articles cuits au four sont-ils trop bruns à la base?**
Déplacer la grille à une position plus élevée dans le four.
- **Les bords des croûtes de tarte ont-ils bruni trop tôt?**
Utiliser du papier d'aluminium pour couvrir le bord de la croûte et/ou réduire la température de cuisson du four.

ASSISTANCE OU SERVICE

Avant de faire un appel pour assistance ou service, consulter la section "Dépannage". Ce guide peut vous faire économiser le coût d'une visite de service. Si vous avez encore besoin d'aide, suivre les instructions ci-dessous.

Lors d'un appel, veuillez connaître la date d'achat, le numéro de modèle et le numéro de série au complet de l'appareil. Ces renseignements nous aideront à mieux répondre à votre demande.

Si vous avez besoin de pièces de rechange

Si vous avez besoin de commander des pièces de rechange, nous vous recommandons d'employer uniquement des pièces de rechange FSP®. Les pièces de rechange FSP® conviendront et fonctionneront bien parce qu'elles sont fabriquées avec la même précision utilisée dans la fabrication de chaque nouvel appareil WHIRLPOOL®.

Pour obtenir des pièces de rechange FSP® dans votre région, nous contacter ou appeler le Centre de service désigné de Whirlpool le plus proche.

Accessoires aux États-Unis

Pour commander des accessoires, téléphoner sans frais au Centre d'interaction avec la clientèle de Whirlpool en composant le **1-800-442-9991** et en suivant les messages du menu. Ou visiter notre site web à **www.whirlpool.com** et cliquer sur "Parts & Accessories" (Pièces et accessoires).

Nettoyant et poli pour acier inoxydable

(modèles en acier inoxydable)

Commander la pièce n° 31462

Lèchefrite et grille

Commander la pièce n° 4396923

Nettoyant tout-usage pour appareils ménagers

Commander la pièce n° 31682

Au Canada

Veuillez appeler sans frais le Centre pour l'eXpérience de la clientèle de Whirlpool Canada LP au : **1-800-807-6777**.

Nos consultants vous renseigneront sur les sujets suivants :

- Caractéristiques et spécifications sur toute notre gamme d'appareils électroménagers.
- Consignes d'utilisation et d'entretien.
- Ventes d'accessoires et de pièces de rechange.
- Références aux marchands locaux, aux distributeurs de pièces de rechange et aux compagnies de service. Les techniciens de service désignés par Whirlpool Canada LP sont formés pour remplir la garantie des produits et fournir un service après la garantie, partout au Canada.

Pour plus d'assistance

Si vous avez besoin de plus d'assistance, vous pouvez soumettre par écrit toute question ou préoccupation à Whirlpool Canada LP à l'adresse suivante :

Centre pour l'eXpérience de la clientèle
Whirlpool Canada LP
1901 Minnesota Court
Mississauga, Ontario L5N 3A7

Veuillez inclure dans votre correspondance un numéro de téléphone où on peut vous joindre dans la journée.

GARANTIE DES GROS APPAREILS MÉNAGERS WHIRLPOOL CORPORATION

GARANTIE LIMITÉE

Pendant un an à compter de la date d'achat, lorsque ce gros appareil ménager est utilisé et entretenu conformément aux instructions jointes à ou fournies avec le produit, Whirlpool Corporation ou Whirlpool Canada LP (ci-après désignées "Whirlpool") paiera pour les pièces spécifiées par l'usine et la main-d'œuvre pour corriger les vices de matériaux ou de fabrication. Le service doit être fourni par une compagnie de service désignée par Whirlpool. Cette garantie limitée est valide uniquement aux États-Unis ou au Canada et s'applique exclusivement lorsque l'appareil est utilisé dans le pays où il a été acheté. À l'extérieur du Canada et des 50 États des États-Unis, cette garantie limitée ne s'applique pas. Une preuve de la date d'achat original est exigée pour obtenir un service dans le cadre de la présente garantie limitée.

ARTICLES EXCLUS DE LA GARANTIE

La présente garantie limitée ne couvre pas :

1. Les visites de service pour rectifier l'installation du gros appareil ménager, montrer à l'utilisateur comment utiliser l'appareil, remplacer ou réparer des fusibles ou rectifier le câblage ou la plomberie du domicile.
 2. Les visites de service pour réparer ou remplacer les ampoules électriques de l'appareil, les filtres à air ou les filtres à eau. Les pièces consommables ne sont pas couvertes par la garantie.
 3. Les réparations lorsque le gros appareil ménager est utilisé à des fins autres que l'usage unifamilial normal ou lorsque les instructions d'installation et/ou les instructions de l'opérateur ou de l'utilisateur fournies ne sont pas respectées.
 4. Les dommages imputables à : accident, modification, usage impropre ou abusif, incendie, inondation, actes de Dieu, installation fautive ou installation non conforme aux codes d'électricité ou de plomberie, ou l'utilisation de pièces consommables ou de produits nettoyants non approuvés par Whirlpool.
 5. Les défauts apparents, notamment les éraflures, les bosses, fissures ou tout autre dommage au fini du gros appareil ménager, à moins que ces dommages soient dus à des vices de matériaux ou de fabrication et soient signalés à Whirlpool dans les 30 jours suivant la date d'achat.
 6. Toute perte d'aliments due à une défaillance du réfrigérateur ou du congélateur.
 7. Les coûts associés au transport du gros appareil ménager du domicile pour réparation. Ce gros appareil ménager est conçu pour être réparé à domicile et seul le service à domicile est couvert par la présente garantie.
 8. Les réparations aux pièces ou systèmes résultant d'une modification non autorisée faite à l'appareil.
 9. Les frais de transport pour le service d'un produit si votre gros appareil est situé dans une région éloignée où un service d'entretien Whirlpool autorisé n'est pas disponible.
 10. La dépose et la réinstallation de votre gros appareil si celui-ci est installé dans un endroit inaccessible ou n'est pas installé conformément aux instructions d'installation fournies.
 11. Les gros appareils ménagers dont les numéros de série et de modèle originaux ont été enlevés, modifiés ou qui ne peuvent pas être facilement identifiés. La présente garantie est nulle si le numéro de série d'usine a été modifié ou enlevé du gros appareil ménager.
- Le coût d'une réparation ou des pièces de rechange dans le cadre de ces circonstances exclues est à la charge du client.

CLAUSE D'EXONÉRATION DE RESPONSABILITÉ AU TITRE DES GARANTIES IMPLICITES; LIMITATION DES RECOURS

LE SEUL ET EXCLUSIF RECOURS DU CLIENT DANS LE CADRE DE LA PRÉSENTE GARANTIE LIMITÉE CONSISTE EN LA RÉPARATION PRÉVUE CI-DESSUS. LES GARANTIES IMPLICITES, Y COMPRIS LES GARANTIES APPLICABLES DE QUALITÉ MARCHANDE ET D'APTITUDE À UN USAGE PARTICULIER, SONT LIMITÉES À UN AN OU À LA PLUS COURTE PÉRIODE AUTORISÉE PAR LA LOI. WHIRLPOOL N'ASSUME AUCUNE RESPONSABILITÉ POUR LES DOMMAGES FORTUITS OU INDIRECTS. CERTAINES JURIDICTIONS NE PERMETTENT PAS L'EXCLUSION OU LA LIMITATION DES DOMMAGES FORTUITS OU INDIRECTS, OU LES LIMITATIONS DE LA DURÉE DES GARANTIES IMPLICITES DE QUALITÉ MARCHANDE OU D'APTITUDE À UN USAGE PARTICULIER, DE SORTÉ QUE CES EXCLUSIONS OU LIMITATIONS PEUVENT NE PAS S'APPLIQUER DANS VOTRE CAS. CETTE GARANTIE VOUS CONFÈRE DES DROITS JURIDIQUES SPÉCIFIQUES ET VOUS POUVEZ ÉGALEMENT JOUIR D'AUTRES DROITS QUI PEUVENT VARIER D'UNE JURIDICTION À UNE AUTRE.

Si vous résidez à l'extérieur du Canada et des 50 États des États-Unis, contactez votre marchand Whirlpool autorisé pour déterminer si une autre garantie s'applique.

Si vous avez besoin de service, voir d'abord la section "Dépannage" du Guide d'utilisation et d'entretien. Après avoir vérifié la section "Dépannage", de l'aide supplémentaire peut être trouvée en vérifiant la section "Assistance ou service" ou en appelant Whirlpool. Aux É.-U., composer le **1-800-253-1301**. Au Canada, composer le **1-800-807-6777**. 1/08

Keep this book and your sales slip together for future reference. You must provide proof of purchase or installation date for in-warranty service.

Write down the following information about your major appliance to better help you obtain assistance or service if you ever need it. You will need to know your complete model number and serial number. You can find this information on the model and serial number label located on the product.

Dealer name _____

Address _____

Phone number _____

Model number _____

Serial number _____

Purchase date _____

W10191015A

© 2008 Whirlpool Corporation.
Tous droits réservés.

® Marque déposée/TM Marque de commerce de Whirlpool, U.S.A.,
Emploi licencié par Whirlpool Canada LP au Canada

4/08
Imprimé aux É.-U.

Free Manuals Download Website

<http://myh66.com>

<http://usermanuals.us>

<http://www.somanuals.com>

<http://www.4manuals.cc>

<http://www.manual-lib.com>

<http://www.404manual.com>

<http://www.luxmanual.com>

<http://aubethermostatmanual.com>

Golf course search by state

<http://golfingnear.com>

Email search by domain

<http://emailbydomain.com>

Auto manuals search

<http://auto.somanuals.com>

TV manuals search

<http://tv.somanuals.com>