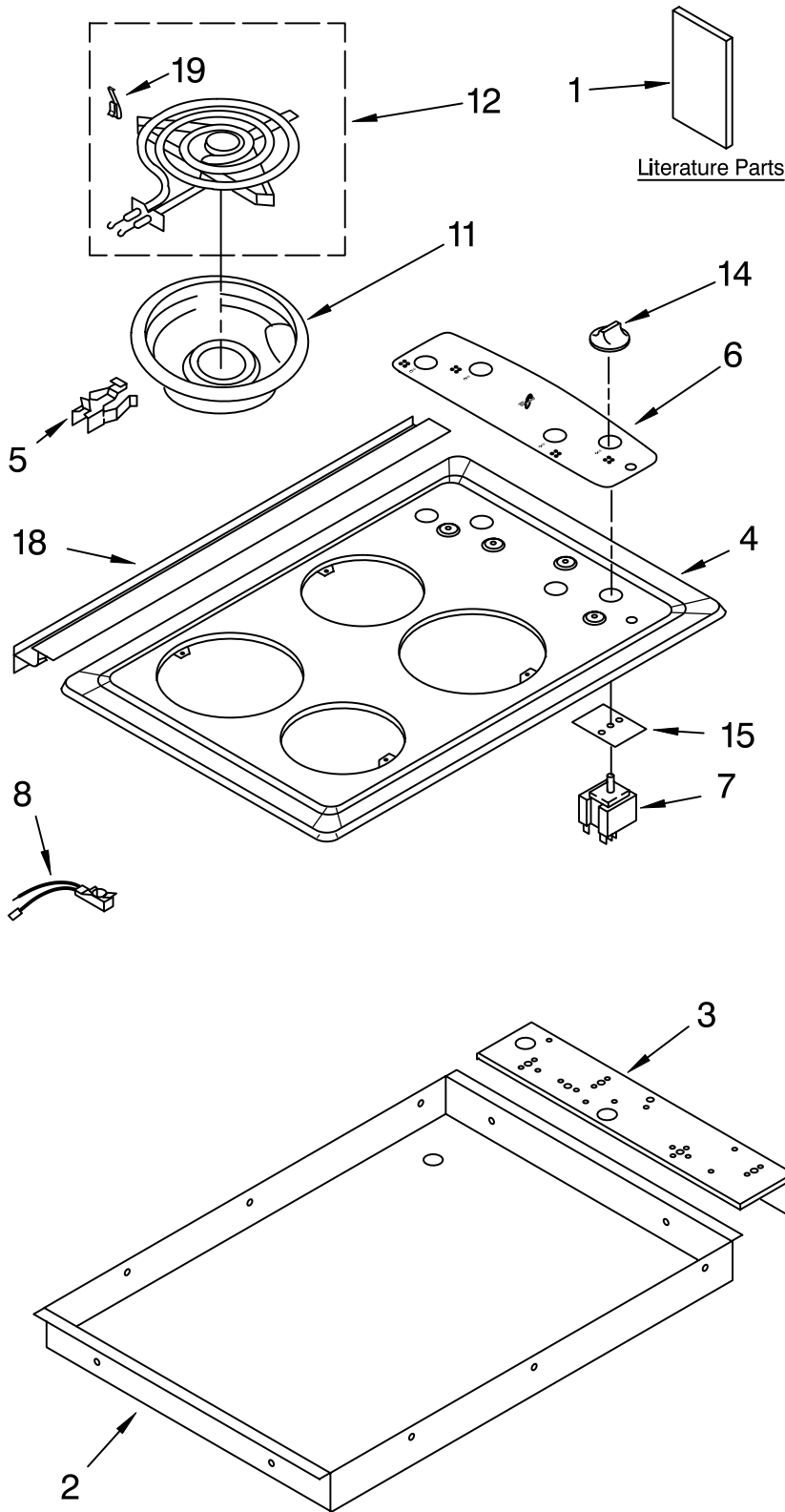




# COOKTOP PARTS

For Models: RS675PXGB14, RS675PXGQ14, RS675PXGT14  
(Black) (White) (Biscuit)

30" DROP-IN  
ELECTRIC OVEN  
SELF CLEAN

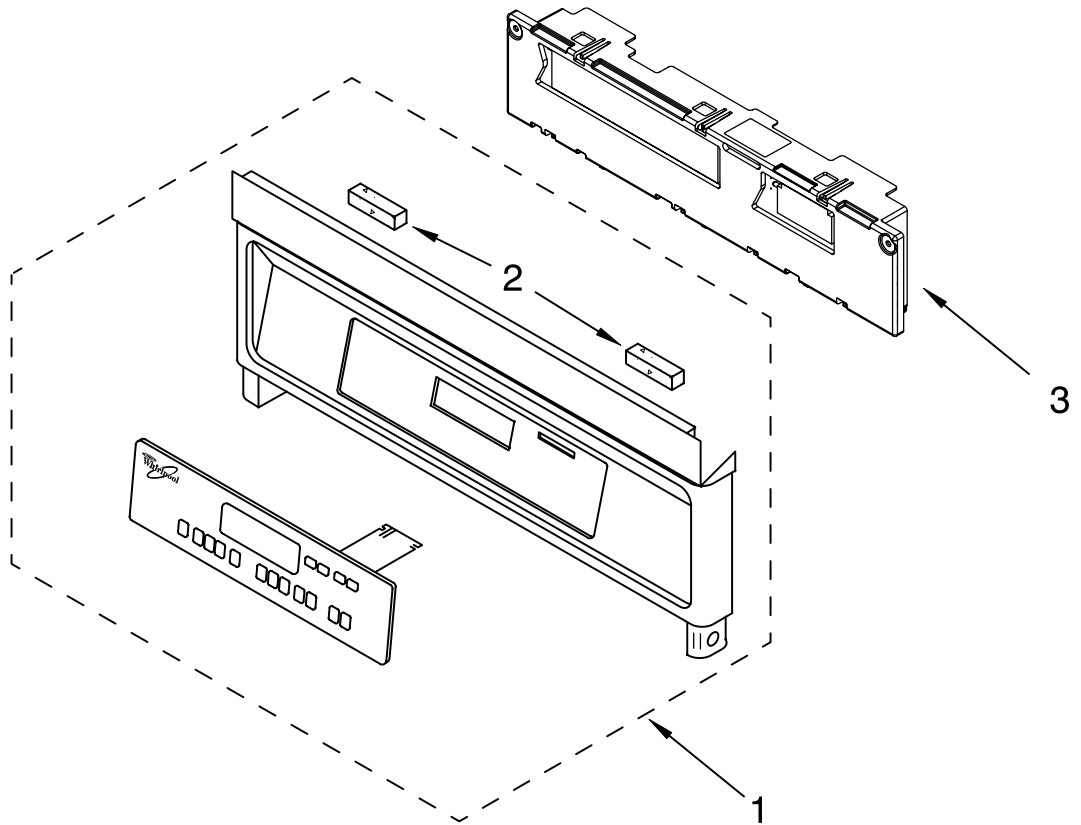


| Illus. No. | Part No. | DESCRIPTION                                      |
|------------|----------|--|
| 1          | 8300649  | Literature Parts<br>Installation<br>Instructions |
|            | 8300666  | Use & Care Guide                                 |
|            | 8302072  | Tech Sheet                                       |
|            | 3191638  | Safe Cooking Tips                                |
| 2          | 3192459  | Burner Box                                       |
| 3          | 3192330  | Bracket, Mounting                                |
|            | 3177991  | Screw  |
| 4          |          | Cooktop  |
|            | 8284709  | Biscuit  |
|            | 3191168  | White  |
|            | 3191167  | Black  |
| 5          | 3192575  | Clip, Mtg. (4)                                   |
|            | 3400843  | Screw  |
| 6          |          | Panel, Control                                   |
|            | 8284707  | Biscuit  |
|            | 3191229  | White  |
|            | 3191228  | Black  |
| 7          |          | Switch, Infinite                                 |
|            | 3191471  | Use W/6" Surface<br>(Blue Shaft)                 |
|            | 3191473  | Use W/8" Surface<br>(Red Shaft)                  |
|            | 3400855  | Screw, 8-32 x 1/4                                |
| 8          | 4456181  | Light, Indicator                                 |
| 11         |          | Pan, Surface                                     |
|            | 3195208  | 6" Pan   |
|            | 3195209  | 8" Pan   |
| 12         |          | Element, Surface                                 |
|            | 8053266  | 6" Burner  |
|            | 8053268  | 8" Burner  |
| 14         |          | Knob, Control                                    |
|            | 3196232  | White  |
|            | 8272506  | Biscuit  |
|            | 3196231  | Black  |
| 15         | 3183956  | Seal, Switch<br>Shaft (4)                        |
| 18         |          | Trim, Extension                                  |
|            | 3192103  | White  |
|            | 8300518  | Biscuit  |
|            | 3192102  | Black  |
| 19         | 3195917  | Clip, Element                                    |

FOR ORDERING INFORMATION REFER TO PARTS PRICE LIST

# CONTROL PANEL PARTS

For Models:RS675PXGB14, RS675PXGQ14, RS675PXGT14  
(Black) (White) (Biscuit)

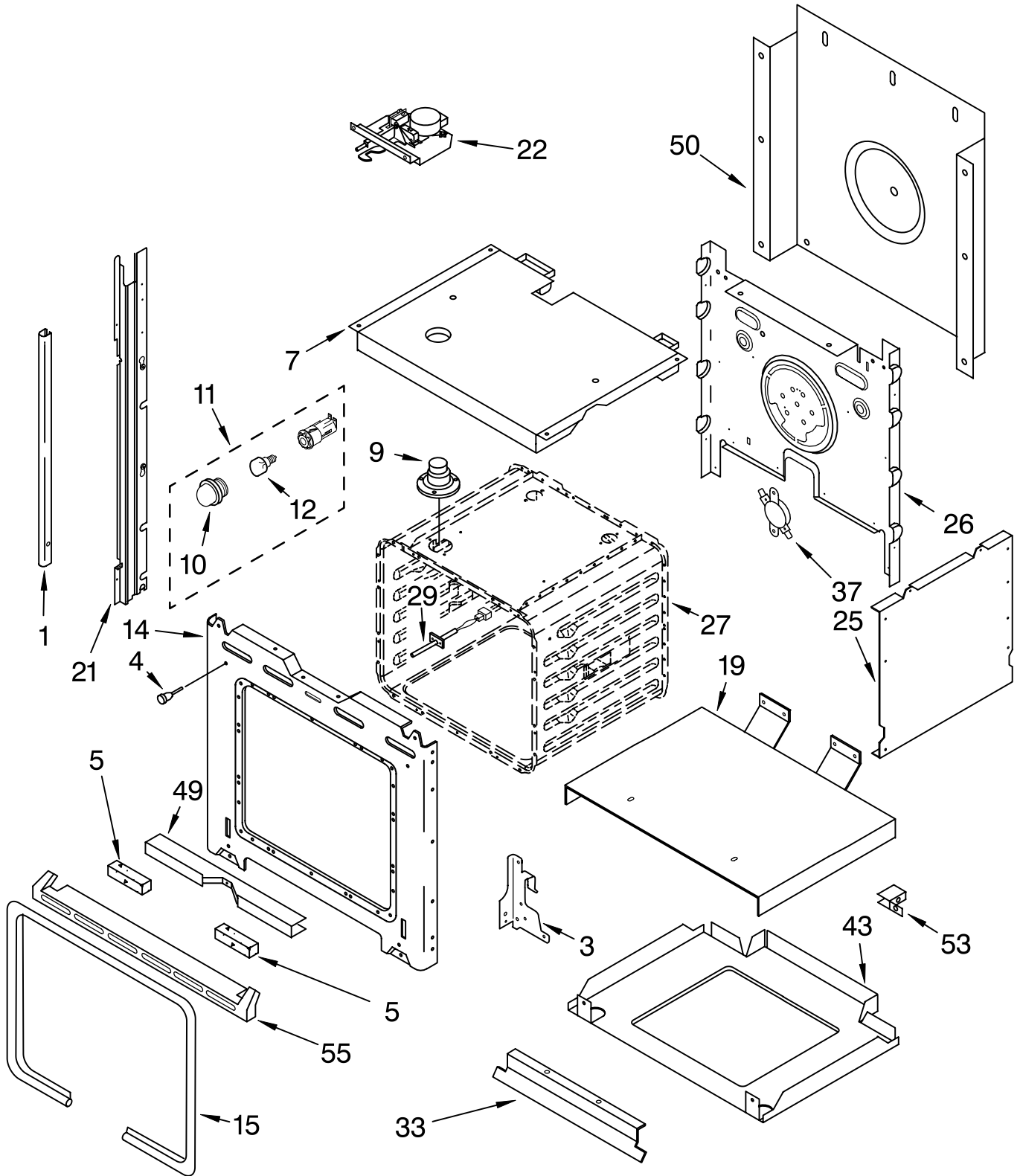


| <u>Illus. No.</u> | <u>Part No.</u> | <u>DESCRIPTION</u>    |
|-------------------|-----------------|-----------------------|
| 1                 |                 | Control Panel Assy.   |
|                   | 4456311         | White                 |
|                   | 4456309         | Biscuit               |
|                   | 4456312         | Black                 |
|                   |                 | W/Membrane Switch     |
|                   | 3400832         | Screw                 |
| 2                 | 4451034         | Gasket, Control Panel |
| 3                 | 8301919         | Assy, Control         |
|                   | 4449745         | Screw                 |

FOR ORDERING INFORMATION REFER TO PARTS PRICE LIST

# OVEN PARTS

For Models: RS675PXGB14, RS675PXGQ14, RS675PXGT14  
(Black) (White) (Biscuit)



FOR ORDERING INFORMATION REFER TO PARTS PRICE LIST

# OVEN PARTS

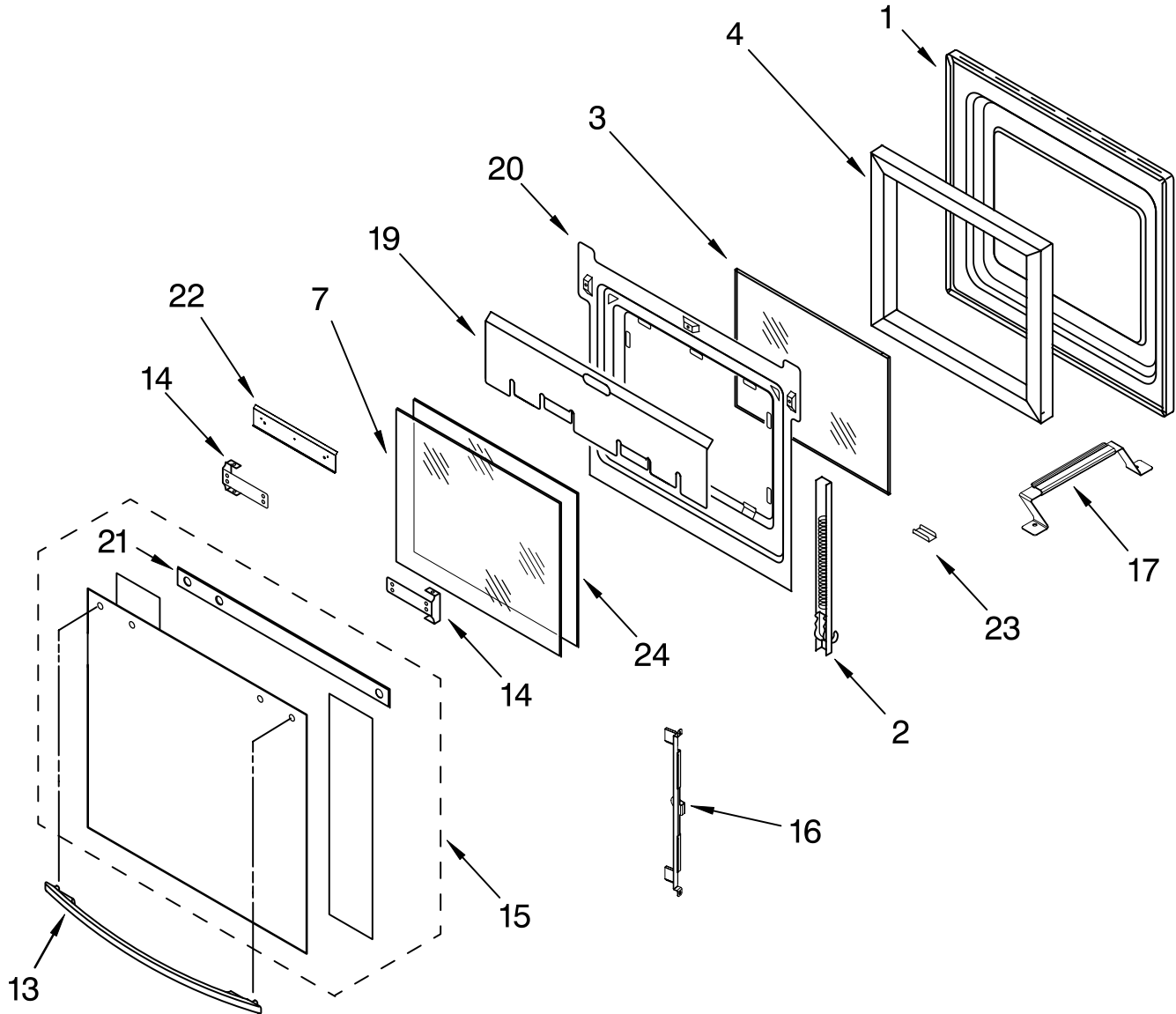
For Models:RS675PXGB14, RS675PXGQ14, RS675PXGT14  
(Black) (White) (Biscuit)

| Illus. No. | Part No. | DESCRIPTION             | Illus. No. | Part No. | DESCRIPTION                   | Illus. No.                             | Part No. | DESCRIPTION                   |
|------------|----------|-------------------------|------------|----------|-------------------------------|--|----------|-------------------------------|
| 1          |          | Trim, Side (Right Hand) | 14         | 9759060  | Frame, Front                  | 37                                     | 9759243  | Thermostat (TOD) (Temp.) SPST |
|            | 4450845  | White                   |            | 4449040  | Screw                         | 43                                     | 4455530  | Base, Chassis                 |
|            | 4452120  | Biscuit                 |            | 4450118  | Nut                           | 49                                     | 4448933  | Retainer, Gasket              |
|            | 4450844  | Black                   | 15         | 4455382  | Gasket, Door                  |  | 4449154  | Screw                         |
|            |          | (Left Hand)             | 19         | 4451478  | Support, Insulation           | 50                                     | 4451747  | Cover, Back                   |
|            | 4450848  | White                   |            | 4449809  | Screw                         |  | 4449809  | Screw                         |
|            | 4452121  | Biscuit                 | 21         |          | Rail, Side                    | 53                                     | 4449845  | Support, Bracket              |
|            | 4450847  | Black                   |            | 4450579  | Right Side                    |  | 4449809  | Screw                         |
|            | 8281236  | Screw                   |            | 4450580  | Left Side                     |  | 4449809  | Screw                         |
| 3          |          | Hinge Receiver          |            | 4448444  | Grommet                       | 55                                     |          | Trim, Bottom                  |
|            | 4455605  | Left Hand               |            | 4449154  | Screw                         |  | 4448478  | White                         |
|            | 4455606  | Right Hand              | 22         | 8302157  | Latch, Motorized              |  | 4452415  | Biscuit                       |
| 4          | 4448520  | Bumper, Door            |            | 4449154  | Screw                         |  | 4448477  | Black                         |
| 5          | 4452260  | Spacer, Foam            | 25         | 4455641  | Side, Chassis (R.H. & L.H.)   | <b>FOLLOWING PARTS NOT ILLUSTRATED</b> |          |                               |
| 7          | 4455865  | Top Chassis             |            | 4449809  | Screw                         | <b>INSULATION</b>                      |          |                               |
|            | 4449809  | Screw                   | 26         | 4452234  | Back, Chassis                 |  | 4449316  | Insulation, Wrap              |
| 9          | 4452158  | Tube, Vent              |            | 4449809  | Screw                         |  | 4450365  | Insulation, Back              |
|            | 3196176  | Screw                   | 27         |          | Liner, Oven (Not serviceable) |  |          |                               |
| 10         | 4452165  | Lens, Light             | 29         | 4455636  | Sensor                        |  |          |                               |
| 11         | 4452368  | Oven Light Assy         |            | 4449154  | Screw                         |  |          |                               |
| 12         | 4452166  | Bulb, Light             | 33         | 4457117  | Deflector, Vent               |  |          |                               |

FOR ORDERING INFORMATION REFER TO PARTS PRICE LIST

# OVEN DOOR PARTS

For Models: RS675PXGB14, RS675PXGQ14, RS675PXGT14  
(Black) (White) (Biscuit)



| Illus. No. | Part No. | DESCRIPTION      | Illus. No. | Part No. | DESCRIPTION          | Illus. No. | Part No. | DESCRIPTION        |
|------------|----------|------------------|------------|----------|----------------------|------------|----------|--------------------|
| 1          | 4457127  | Door Liner       | 14         | 4450813  | Bracket, Handle      | 19         | 4457103  | Shield, Heat       |
| 2          |          | Hinge, Door      |            | 4451040  | Screw                |            | 4449809  | Screw              |
|            | 8300571  | R.Side           | 15         |          | Door Assembly, Glass | 20         | 4457132  | Retainer, Glass    |
|            | 8300572  | L.Side           |            | 8300899  | White                |            | 4449809  | Screw              |
|            | 4449743  | Screw            |            | 8300894  | Biscuit              | 21         | 8300820  | Seal, Door Top     |
| 3          | 4449259  | Glass, Inner     |            | 8300903  | Black                | 22         | 4457114  | Shield, Heat (Btm) |
| 4          | 4451722  | Insulation, Door | 16         | 9759229  | Bracket(2nd Glass)   | 23         |          | Retainer, Clip     |
| 7          | 9759225  | Glass, Inner     | 17         | 9759230  | Bracket(3rd Glass)   |            | 4450864  | White              |
| 13         |          | Door Handle      |            |          |                      |            | 4452119  | Biscuit            |
|            | 4448855  | White            |            |          |                      |            | 4450863  | Black              |
|            | 4452860  | Biscuit          |            |          |                      | 24         | 9759228  | Glass, Inner       |
|            | 4448854  | Black            |            |          |                      |            |          |                    |

FOR ORDERING INFORMATION REFER TO PARTS PRICE LIST

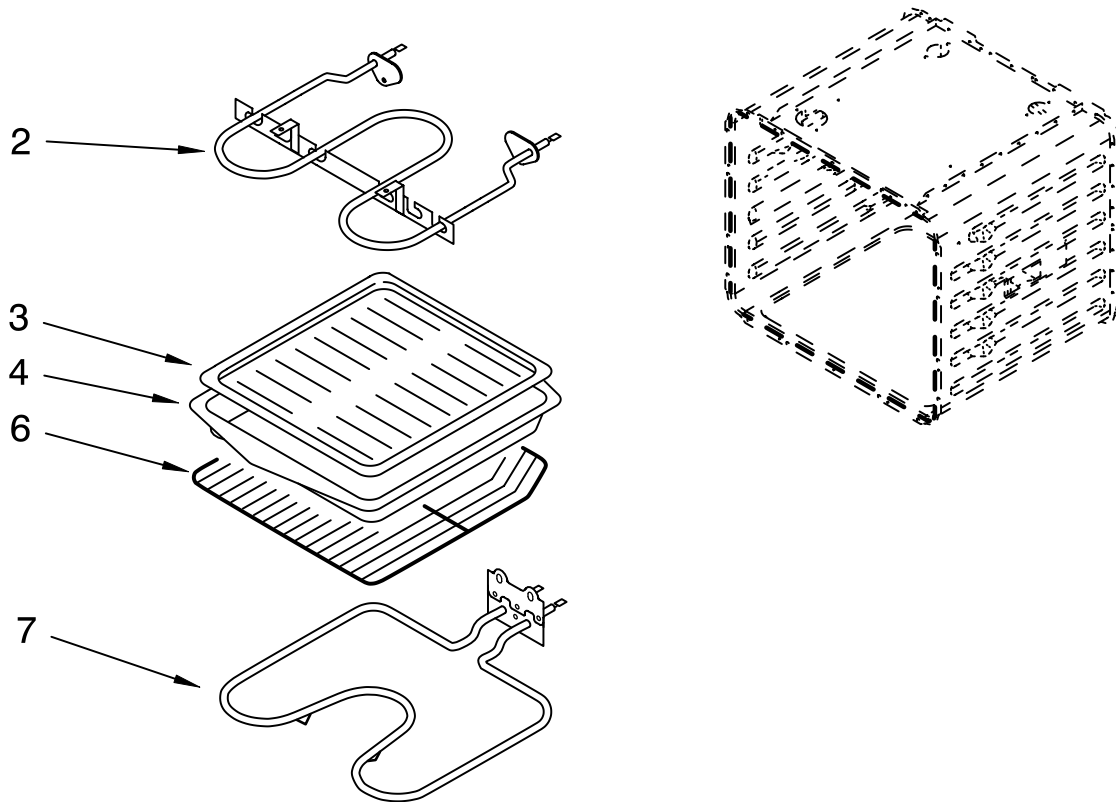
# INTERNAL OVEN PARTS

For Models: RS675PXGB14, RS675PXGQ14, RS675PXGT14

(Black)

(White)

(Biscuit)

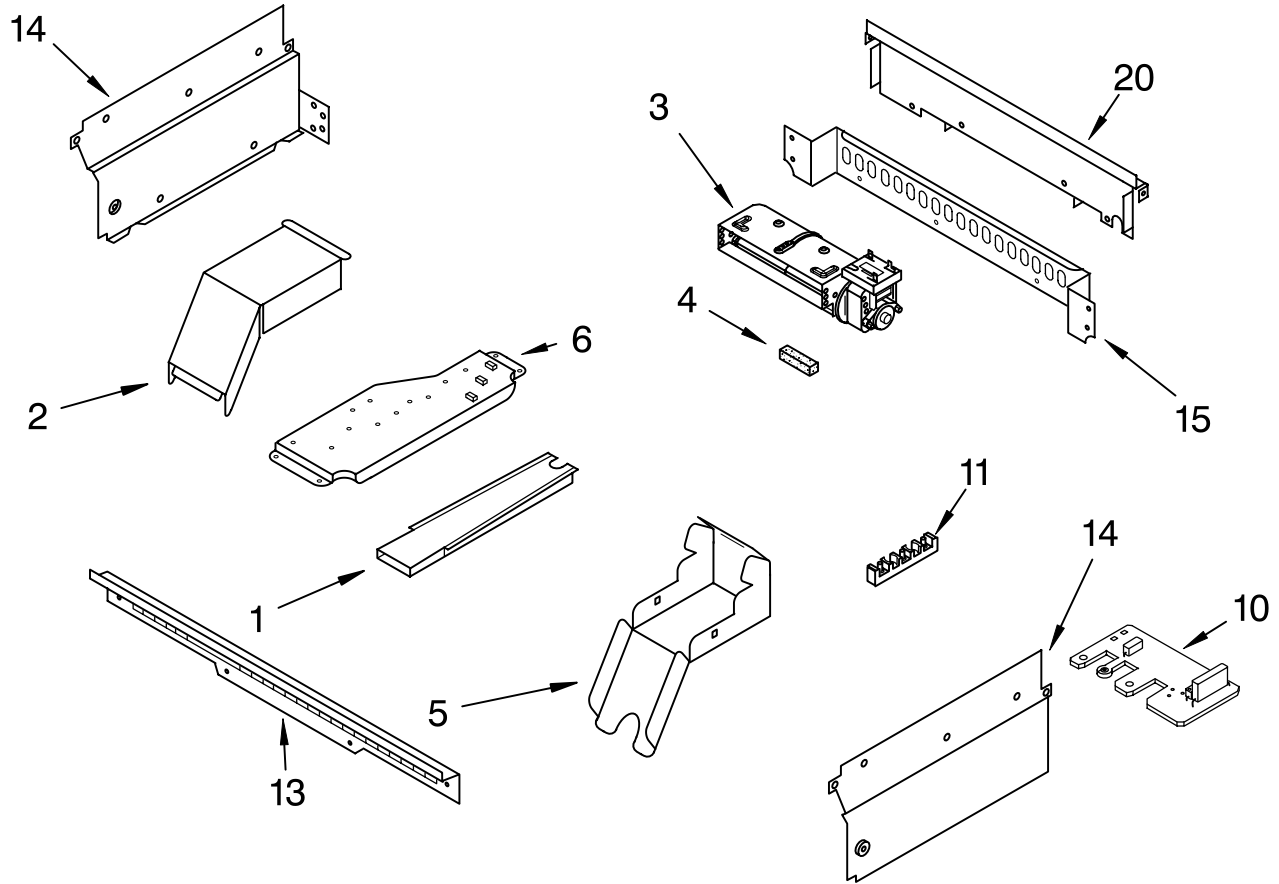


| Illus. No. | Part No. | DESCRIPTION    |
|------------|----------|----------------|
| 2          | 4456103  | Element, Broil |
|            | 4449154  | Screw          |
| 3          | 4457277  | Grill, Broiler |
| 4          | 4457276  | Pan, Broiler   |
| 6          | 4448717  | Rack, Oven     |
|            | 9759322  | Pad, Rack      |
| 7          | 4452153  | Element, Bake  |
|            | 4449154  | Screw          |

FOR ORDERING INFORMATION REFER TO PARTS PRICE LIST

# TOP VENTING PARTS

For Models:RS675PXGB14, RS675PXGQ14, RS675PXGT14  
(Black) (White) (Biscuit)



| Illus. No. | Part No. | DESCRIPTION        |
|------------|----------|--------------------|
| 1          | 4451759  | Vent, Exhaust      |
|            | 4449040  | Screw, 8-18 x 3/8  |
| 2          | 4455178  | Elbow, Vent Top    |
| 3          | 4457289  | Blower, 65MM       |
| 4          | 4451758  | Block, Foam        |
| 5          | 4455177  | Elbow, Vent Bottom |
| 6          | 4451761  | Plate, Service     |

| Illus. No. | Part No. | DESCRIPTION           |
|------------|----------|-----------------------|
| 10         | 4451985  | Suppressor            |
| 11         | 4449868  | Block, Terminal       |
|            | 3400080  | Screw                 |
| 13         | 4448549  | Vent, (Control Panel) |
|            | 4450038  | Screw                 |

| Illus. No. | Part No. | DESCRIPTION          |
|------------|----------|----------------------|
| 14         |          | Side, Control Compt. |
|            | 3191832  | Right                |
|            | 3191833  | Left                 |
|            | 4449809  | Screw                |
| 15         | 9759135  | Back, Control        |
|            | 4449809  | Screw                |
| 20         | 3191842  | Cover, Rear          |

FOR ORDERING INFORMATION REFER TO PARTS PRICE LIST

# OPTIONAL PARTS

For Models:RS675PXGB14, RS675PXGQ14, RS675PXGT14  
(Black) (White) (Biscuit)

| Illus. No. | Part No. | DESCRIPTION |
|------------|----------|-------------|
|------------|----------|-------------|

**PAINT, TOUCH-UP (1/2oz.)**

72017 White  
261869 Cord Brown  
72032 Black

**PAINT, SPRAY**

350930 White  
261900 Citrine White  
830864 Black

**ADHESIVE**

591014 Adhesive  
Loctite (1/3 oz.)  
482338 Sealer, Silastic  
(3 oz.)

| Illus. No. | Part No. | DESCRIPTION |
|------------|----------|-------------|
|------------|----------|-------------|

**SPLICING WIRES--25FT.**

**LENGTH**

242828 Wire (12 Ga.  
150 c Black)  
242820 Wire (14 Ga.  
150 c Black)  
242821 Wire (14 Ga.  
150 c Blue)  
242822 Wire (14 Ga.  
150 c Brown)  
242830 Wire (14 Ga.  
200 c Brown)  
242823 Wire (14 Ga.  
150 c Green)  
242824 Wire (14 Ga.  
150 c Orange)  
242829 Wire (12 Ga.  
150 c Red)  
242825 Wire (14 Ga.  
150 c Red)  
242831 Wire (14 Ga.  
200 c Red)  
242826 Wire (14 Ga.  
150 c White)  
242827 Wire (14 Ga.  
150 c Yellow)  
242832 Wire (14 Ga.  
200 c Yellow)

| Illus. No. | Part No. | DESCRIPTION |
|------------|----------|-------------|
|------------|----------|-------------|

**WIRING HARNESS PARTS**

3191220 Harness, Wire  
(Main)  
8301876 Harness, Wire  
FE02313 Bushing  
(EDC)  
4451163 Conduit  
4448664 Clamp  
4449809 Screw  
112432 Nut  
4450800 Screw, Ground  
3192236 Harness, Wire  
(Infinite Switch)  
4455592 Harness, Wire  
(Light)  
4452222 Spacer, Harness  
4454384 Ground, Wire  
3400015 Screw, Ground

**Miscellaneous**

814381 Hinge Pin Kit  
4448950 Screw, Install (4)

FOR ORDERING INFORMATION REFER TO PARTS PRICE LIST



## Free Manuals Download Website

<http://myh66.com>

<http://usermanuals.us>

<http://www.somanuals.com>

<http://www.4manuals.cc>

<http://www.manual-lib.com>

<http://www.404manual.com>

<http://www.luxmanual.com>

<http://aubethermostatmanual.com>

Golf course search by state

<http://golfingnear.com>

Email search by domain

<http://emailbydomain.com>

Auto manuals search

<http://auto.somanuals.com>

TV manuals search

<http://tv.somanuals.com>