

WALLOVEN

Repair Parts List

MODEL NUMBER

X9875VVV

When requesting service or ordering parts, always provide the following information:

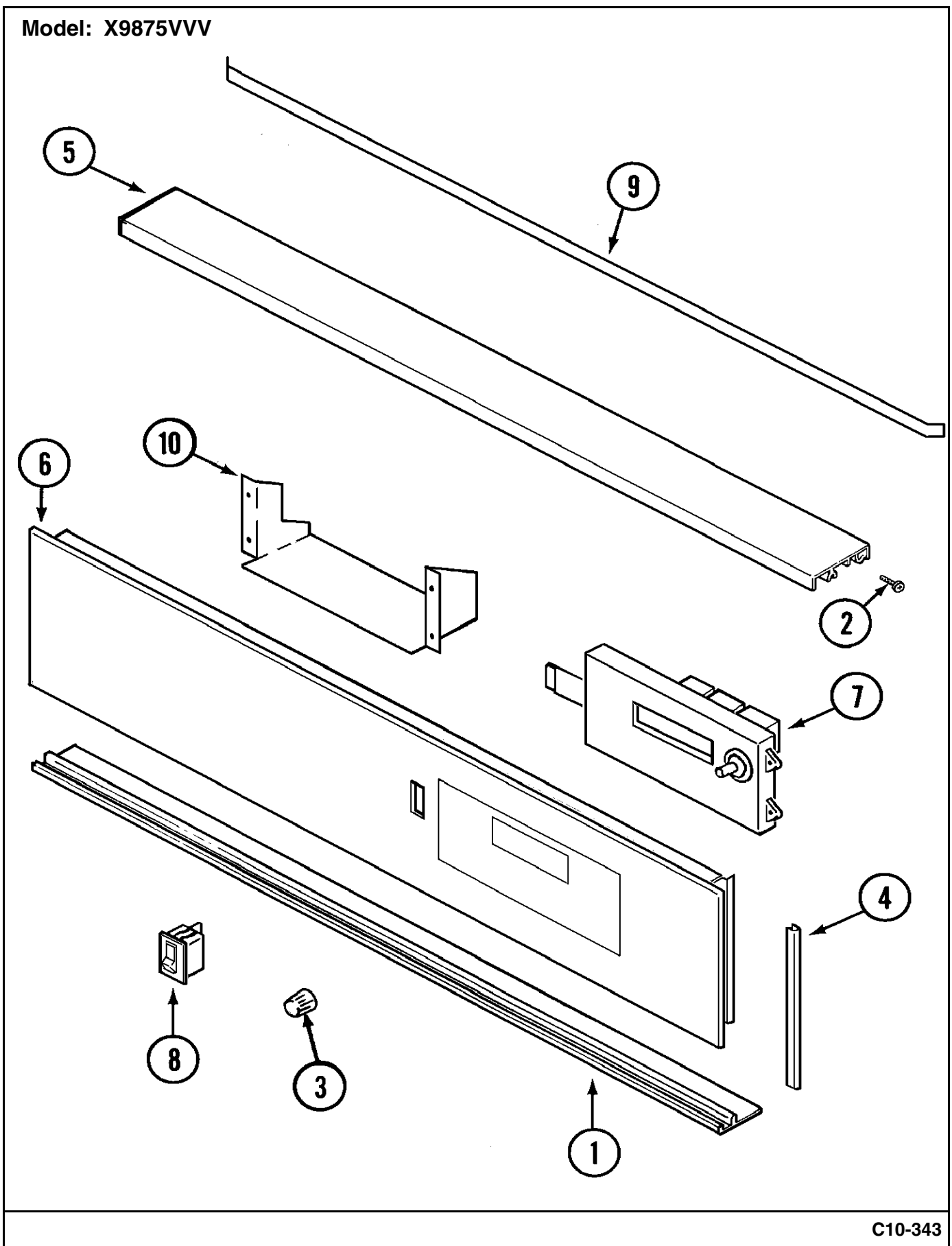
- Product Type
- Part Number
- Model Number
- Part Description

MAYTAG®

©2005 Maytag Services

Section: CONTROL PANEL

Model: X9875VVV



C10-343

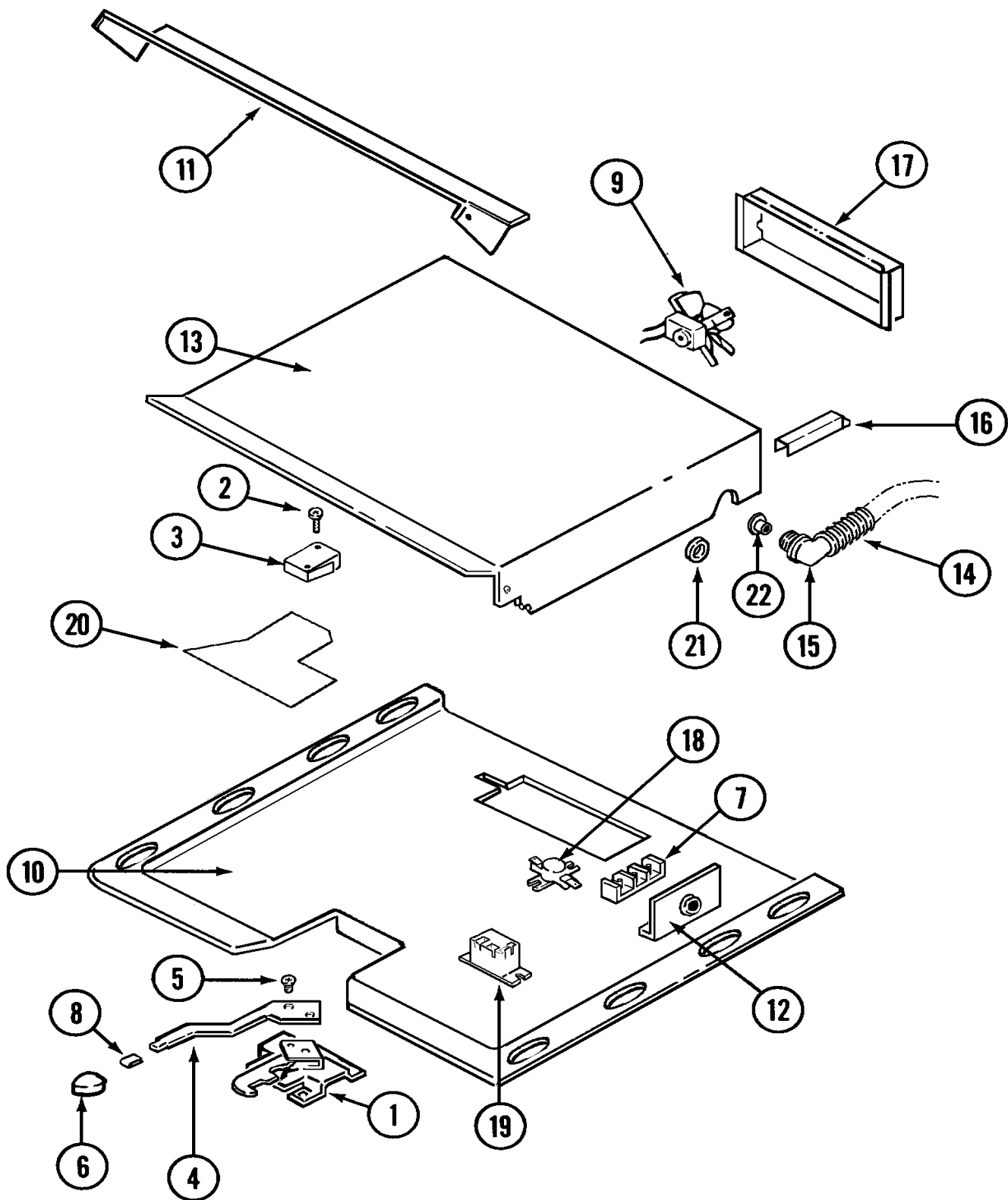
Section: CONTROL PANEL

No.	Part No.	Description	Series	Qty
1	N 7756P099-60	TRIM, VENT (CHR) Note: (CHR)	16	1
2	7101P373-60	SCREW (1/2"-WHT) Note: SCREW, TRIM (WHT)	16	4
3	7711P487-60	KNOB, CLOCK (WHT) Note: (WHT)	16	1
3	74002336	KNOB, CLOCK (WHT)	18	1
4	N 7720P164-60	TRIM, CONTROL PANEL (WHT) Note: (WHT)	16	2
5	7756P101-60	TRIM, TOP (WHT) Note: (WHT)	16	1
6	N 74002243	PANEL, CONTROL (WHT) Note: (WHT)	16	1
-	7101P077-60	SCREW (6ABX38-ZN) Note: SCREW, CLOCK	16	4
7	7601P233-60	CLOCK	16	1
8	7403P200-60	SWITCH, ROCKER (WHT) Note: (WHT)	16	1
9	N 7752P014-60	TRIM, FILLER STRIP (WHT)----NA Note: (WHT)	16	1
10	7003P056-60	INSULATION, FIBERBOARD	16	1
-	N 5170D209-60	HARNESS, MAIN	16	1
-	5170P207-60	HARNESS, SENSOR/LOCK Note: HARNESS, SENSOR/LATCH	16	1
-	8113P024-60	MANUAL, USE & CARE	16	1
-	8113P056-60	MANUAL, USE & CARE (FRENCH) Note: MANUAL, USE & CARE (FRENCH)	16	1

*Color Code (-)=Not Shown #=Series, Serial Prefix or Run No., N=Not Available

Section: INTERNAL CONTROLS

Model: X9875VVV



C17-59

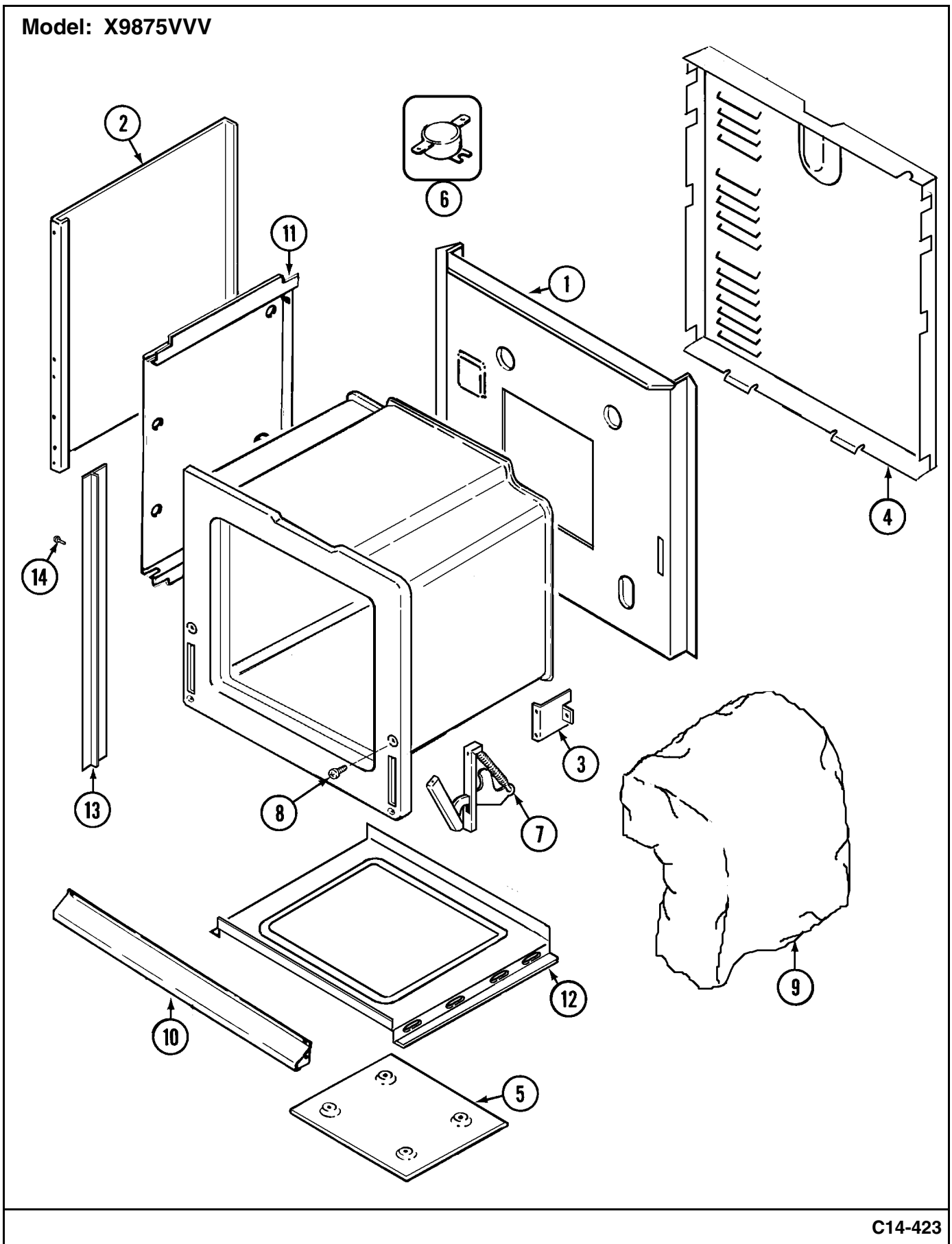
Section: INTERNAL CONTROLS

No.	Part No.	Description	Series	Qty
1	8002P025-60	LATCH ASSY.	16	1
-	4804F028-60	INSULATION, LATCH ASSY.	16	1
-	7101P280-60	SCREW W/WASHER (BLK)	16	2
-	74001530	SCREW (8AB1/2-NI) Note: SCREW, LATCH	16	1
2	7101P330-60	SCREW, SWITCH	16	2
3	7403P361-60	SWITCH, DOOR LATCH Note: SWITCH, DOOR LATCH	16	1
4	74002973	LEVER, LATCH (GRY)	19	1
4	74001725	LEVER, DOOR LATCH Note: LEVER, DOOR LATCH	16	1
5	7101P230-60	SCREW, LEVER Note: SCREW, LATCH LEVER	16	2
6	7701P153-60	HANDLE, DOOR LATCH (WHT) Note: (WHT)	16	1
6	-----	NOT REQUIRED PART OR SEE NOTE	19	1
7	7401P038-60	BLOCK, TERMINAL	16	1
8	7112P112-60	CLIP, LATCH LEVER Note: CLIP, HANDLE	16	1
8	-----	NOT REQUIRED PART OR SEE NOTE	19	1
9	7427P010-60	FAN ASSY. Note: FAN, COOLING	16	1
10	N 74001793	RETAINER, TOP INSULATION	16	1
11	N 4005F431-51	COVER, FAN HOUSING	16	1
12	N 3605F174-51	PLATE, CONDUIT TUBING	16	1
13	N 4001F092-51	HOUSING, FAN	16	1
14	3414F066-51	TUBING, CONDUIT Note: TUBING, CONDUIT	16	1
-	N 5140A037-60	WIRES, CONDUIT TUBING	16	1
15	7417P005-60	CONNECTOR, CONDUIT Note: CONNECTOR, RT ANGLE	16	1
16	N 3830F008-51	RACEWAY, WIRE	16	1
17	4005F262-51	COVER, FAN	16	1
18	7403P313-60	SWITCH, HI-LIMIT	16	1
-	N 7101P313-60	SCREW (8ABX3/8-ZN) Note: SCREW, SWITCH	16	2
20	74001804	INSULATOR, LATCH SWITCH	16	1
21	N 7109P002-60	WASHER Note: WASHER, GROMMET	16	2
22	N 8008P017-60	GROMMET Note: GROMMET, HOUSING	16	2

*Color Code (-)=Not Shown #=Series, Serial Prefix or Run No., N=Not Available

Section: BODY

Model: X9875VVV



C14-423

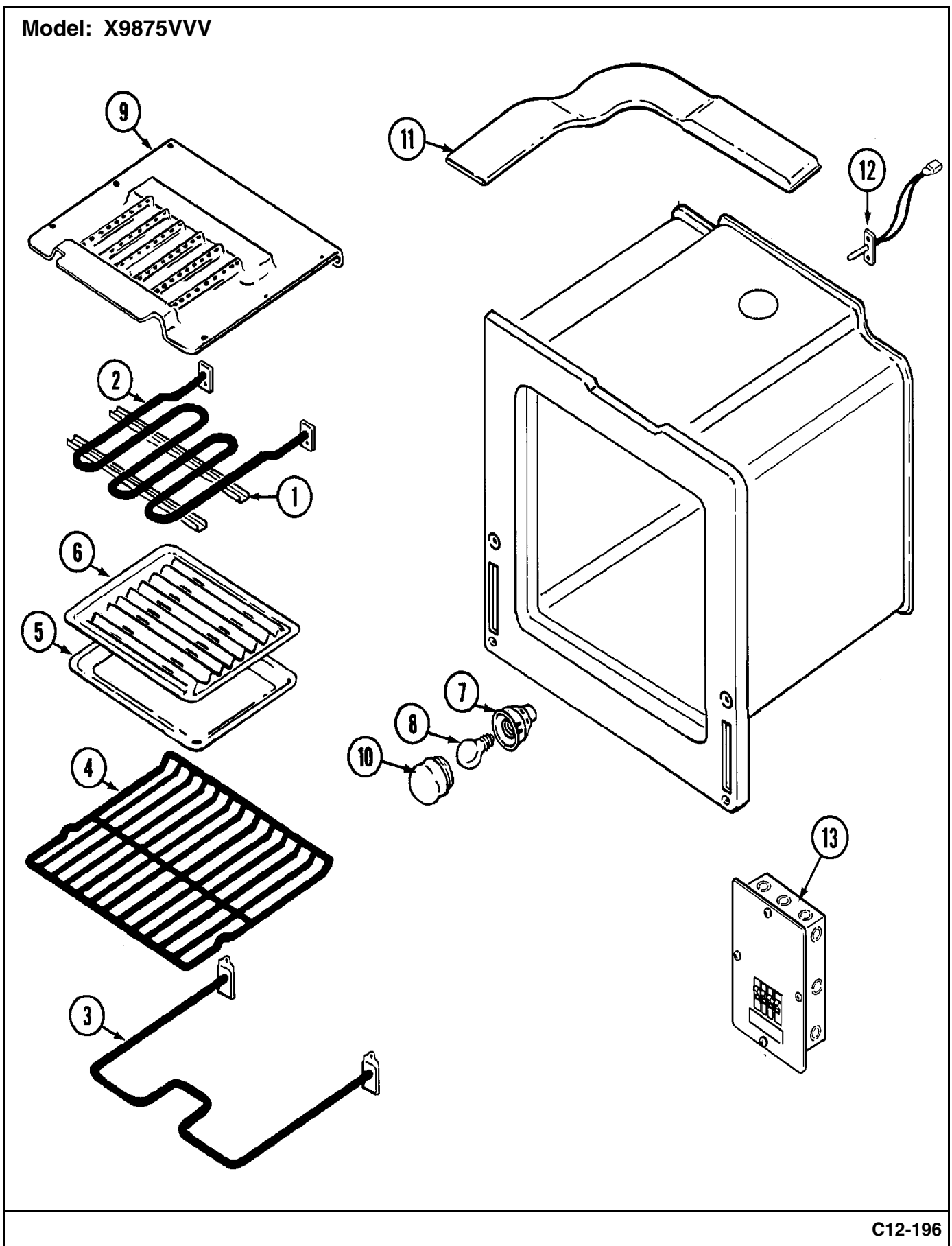
Section: BODY

No.	Part No.	Description	Series	Qty
1	74001581	BACK, MAIN	16	1
2	N 2618F082-51	PANEL, SIDE	16	2
3	3807F400-51	SUPPORT, OVEN REAR	16	2
-	74002240	INSULATOR, OVEN LIGHT	16	1
4	N 4005F434-51	COVER, REAR Note: COVER, MAIN BACK	16	1
5	N 3604F189-51	SHIELD, HEAT	16	1
6	7403P316-60	SWITCH, HI-LIMIT	16	1
7	7106P057-60	HINGE Note: HINGE, DOOR	16	2
8	7101P282-60	SCREW (10-24X5/16-NI) Note: SCREW, DOOR HINGE	16	4
-	N 74001800	INSULATION, BACK	16	2
9	N 74001799	INSULATION, WRAPPER	16	1
10	N 3604F181-71	SHIELD, LOWER VENT (WHT) Note: (WHT)	16	1
11	74001436	RETAINER, INSULATION (SIDE)	16	2
12	74001742	BOTTOM, MAIN	16	1
13	N 74001390	EXTRUSION, SIDE (RT-WHT) Note: (RT-WHT)	16	1
13	74001392	EXTRUSION, SIDE (LT-WHT) Note: (LT-WHT)	16	1
-	74001393	SPACER, MTG. ADAPTER (WHT)	16	2
14	7101P373-60	SCREW (1/2"-WHT) Note: SCREW, TRIM (WHT)	16	4

*Color Code (-)=Not Shown #=Series, Serial Prefix or Run No., N=Not Available

Section: OVEN

Model: X9875VVV



C12-196

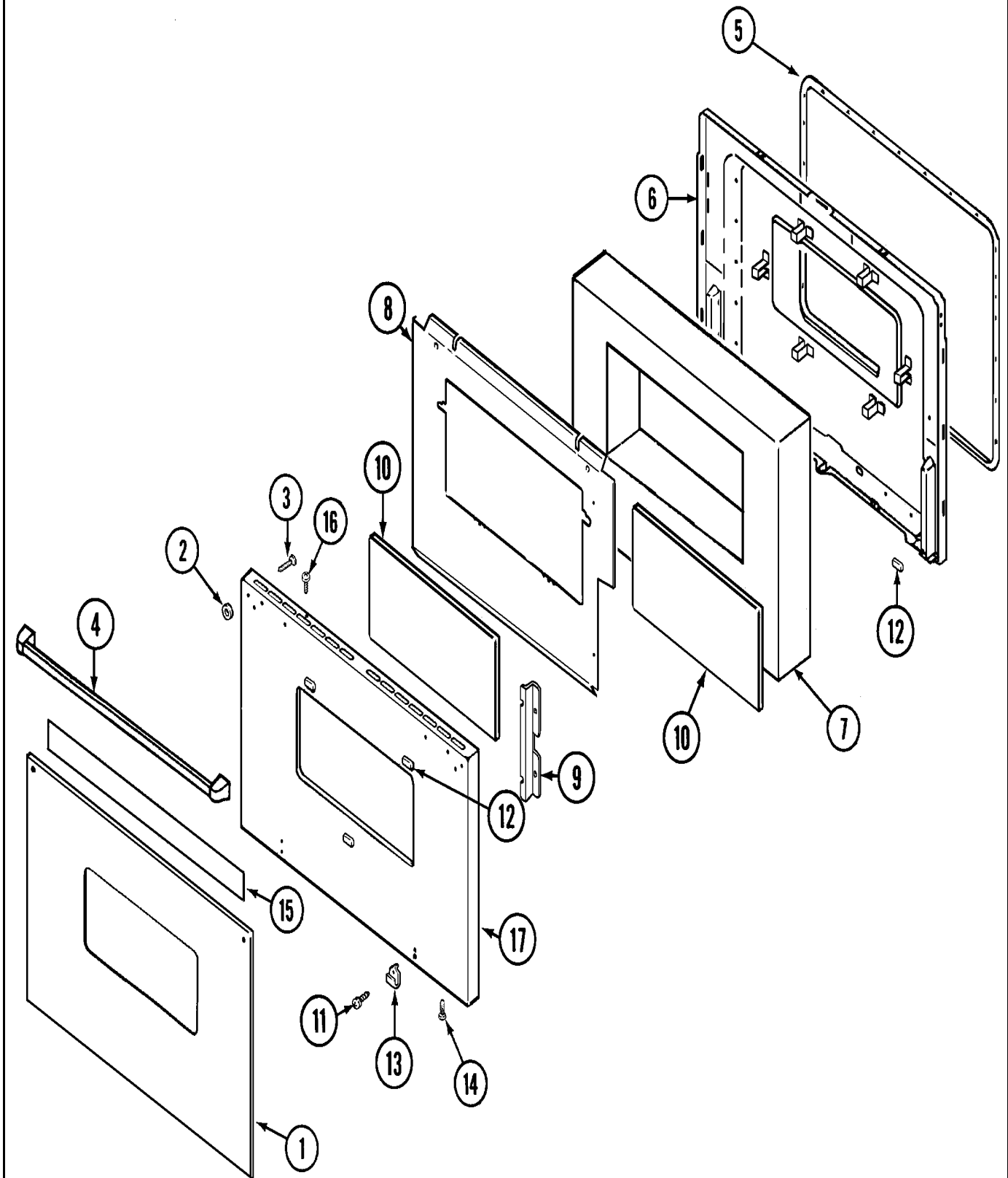
Section: OVEN

No.	Part No.	Description	Series	Qty
1	3807F387-45	SUPPORT, BROIL ELEMENT	16	2
-	7101P345-60	SCREW Note: SCREW, SUPPORT	16	6
2	7406P079-60	ELEMENT, BROIL	16	1
-	74001530	SCREW (8AB1/2-NI) Note: SCREW, ELEMENTS	16	8
3	04000071	ELEMENT, BAKE	16	1
4	7801P047-60	RACK, OVEN Note: RACK, OVEN	16	2
5	3401F020-19	PAN, BROIL	16	1
6	3413F016-19	INSERT, BROIL PAN	16	1
7	7407P088-60	RECEPTACLE, BULB Note: RECEPTACLE/HOUSING	16	1
8	7407P103-60	BULB, OVEN	16	1
9	3601F237-47	BAFFLE, BROIL	16	1
-	74001530	SCREW (8AB1/2-NI) Note: SCREW, BAFFLE	16	10
10	7724P047-60	COVER, BULB Note: COVER, OVEN BULB	16	1
-	N 4005F403-51	COVER, VENT Note: COVER, VENT TUBE	16	1
11	N 7506P125-60	TUBE, VENT	16	1
12	7430P010-60	SENSOR, OVEN	16	1

*Color Code (-)=Not Shown #=Series, Serial Prefix or Run No., N=Not Available

Section: DOOR

Model: X9875VVV



C11-410

Section: DOOR

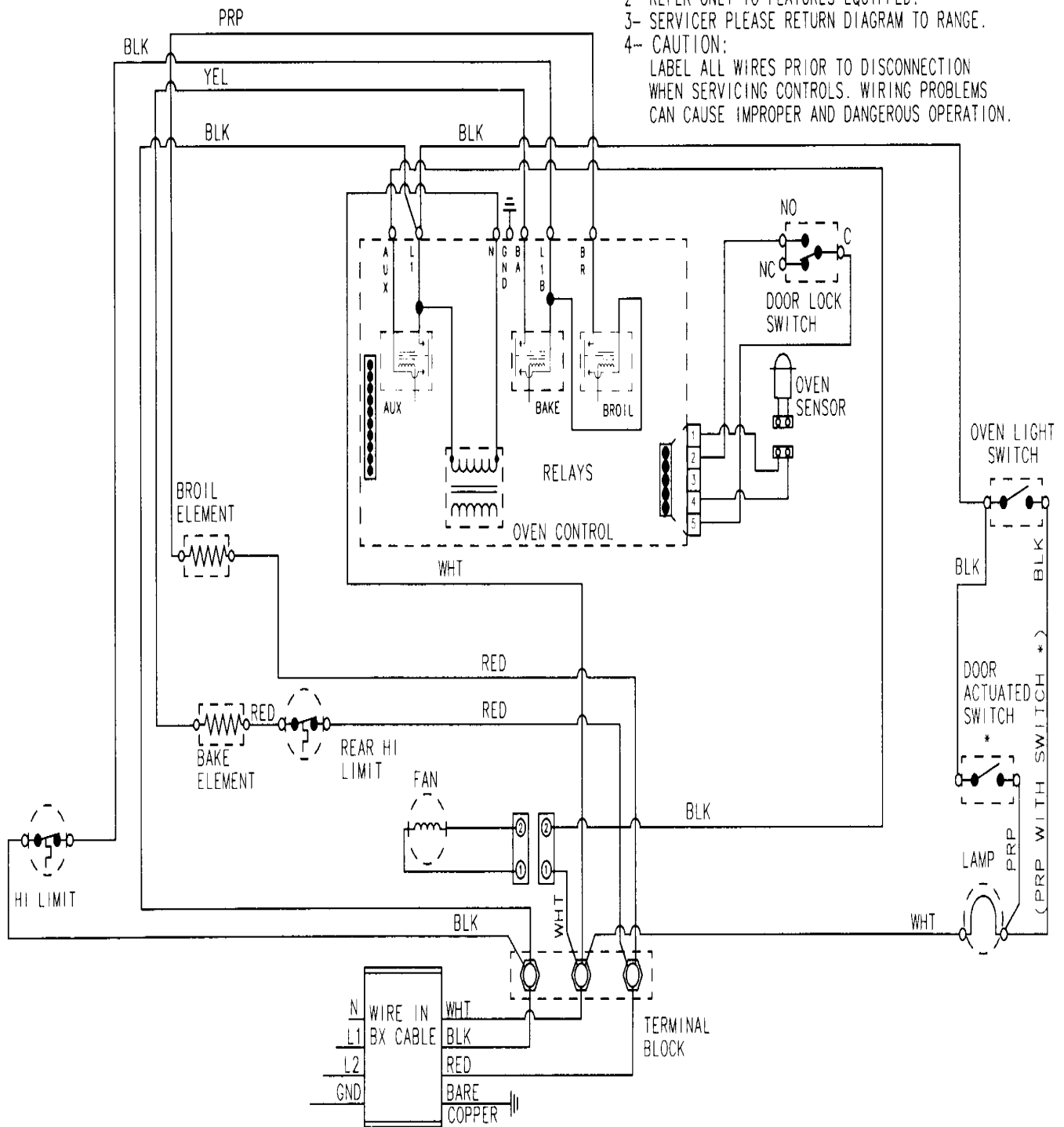
No.	Part No.	Description	Series	Qty
1	N 7902P383-60	GLASS, DOOR (WHT) Note: (WHT)	16	1
2	790260	SPACER, GLASS	16	2
3	7101P326-60	SCREW Note: SCREW, HANDLE	16	2
4	N 7701P111-60	HANDLE, DOOR (WHT) Note: (WHT)	16	1
5	7201P046-60	GASKET, DOOR	16	1
6	N 2402W209-19	LINING, DOOR	16	1
7	74001842	INSULATION, DOOR	16	1
8	74001843	BAFFLE, DOOR	16	1
-	74001530	SCREW (8AB1/2-NI) Note: SCREW, BAFFLE	16	6
-	74001530	SCREW (8AB1/2-NI) Note: SCREW, RETAINER	16	4
9	74001844	RETAINER, GLASS	16	2
10	74001841	GLASS, INNER	16	2
11	7101P373-60	SCREW (1/2"-WHT) Note: SCREW, RETAINER CLIP (WHT)	16	2
12	8010P085-60	SPACER, RUBBER Note: SPACER, FOAM	16	5
13	7112P094-60	CLIP, GLASS (WHT) Note: (WHT)	16	2
14	74001530	SCREW (8AB1/2-NI) Note: SCREW, PANEL (LOWER)	16	10
15	8270P078-60	TAPE, FOIL (29 1/2") Note: TAPE, FOIL (3" WIDE)	16	1
16	7101P373-60	SCREW (1/2"-WHT) Note: (WHT)	16	2
17	N 2401F123-71	PANEL, DOOR (WHT) Note: (WHT)	16	1

*Color Code (-)=Not Shown #=Series, Serial Prefix or Run No., N=Not Available

Section: WIRING INFORMATION (X9875VVV/XVB)

Model: X9875VVV

- NOTICE:
- 1- DISCONNECT RANGE FROM POWER BEFORE REMOVING WIRE COVER.
 - 2- REFER ONLY TO FEATURES EQUIPPED.
 - 3- SERVICER PLEASE RETURN DIAGRAM TO RANGE.
 - 4- CAUTION:
LABEL ALL WIRES PRIOR TO DISCONNECTION WHEN SERVICING CONTROLS. WIRING PROBLEMS CAN CAUSE IMPROPER AND DANGEROUS OPERATION.



15001717

Section: WIRING INFORMATION (X9875VVV/XVB)

No.	Part No.	Description	Series Qty	
-	N 15001717	WIRING INFORMATION	16	1

*Color Code (-)=Not Shown #=Series, Serial Prefix or Run No., N=Not Available

Free Manuals Download Website

<http://myh66.com>

<http://usermanuals.us>

<http://www.somanuals.com>

<http://www.4manuals.cc>

<http://www.manual-lib.com>

<http://www.404manual.com>

<http://www.luxmanual.com>

<http://aubethermostatmanual.com>

Golf course search by state

<http://golfingnear.com>

Email search by domain

<http://emailbydomain.com>

Auto manuals search

<http://auto.somanuals.com>

TV manuals search

<http://tv.somanuals.com>