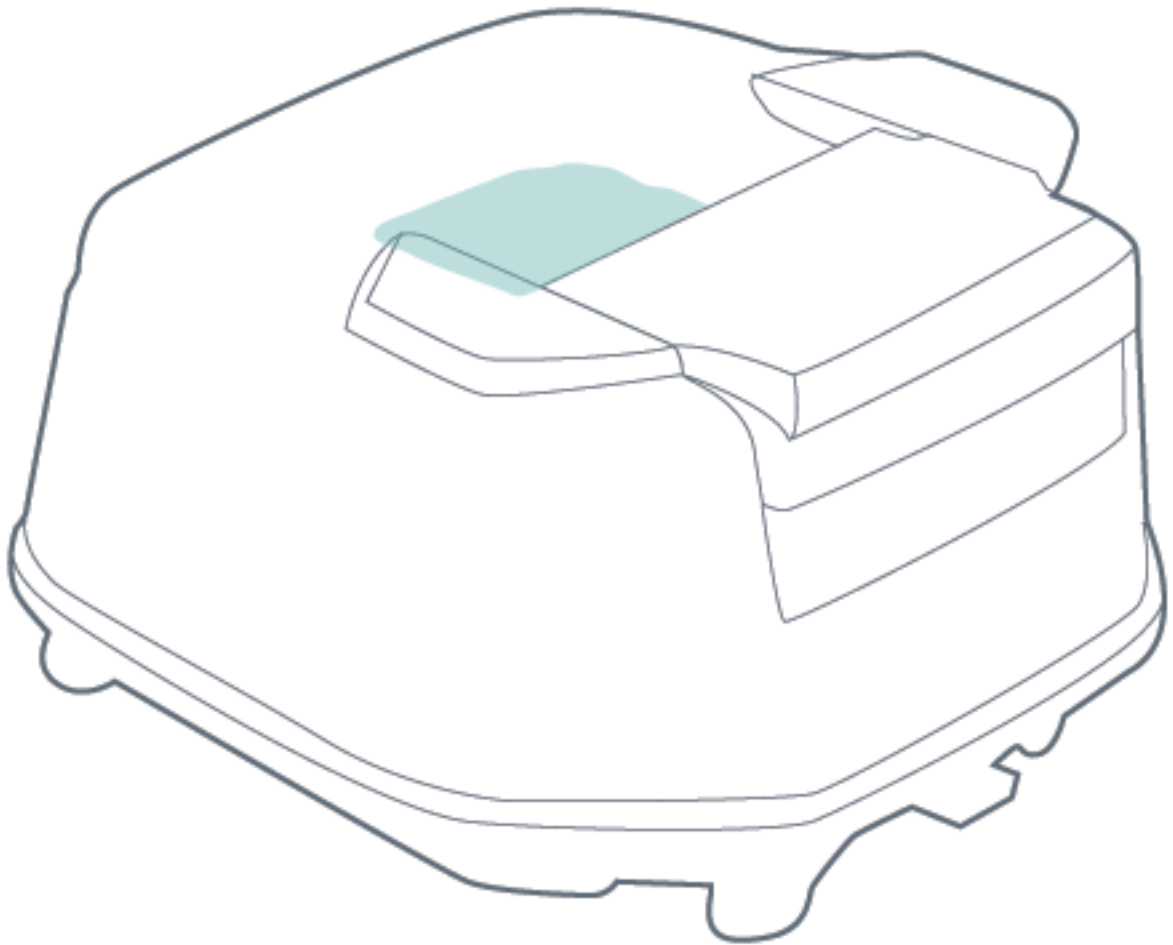


PETITE™ PORTABLE WHIRLPOOL PEDICURE SPA

OWNERS MANUAL



PETITE™ PORTABLE WHIRLPOOL PEDICURE SPA OWNERS MANUAL



EUROPEAN TOUCH™

Table of Contents

Introduction	4
Receipt & Inspection	4
Precautions	4
Electrical Requirements	5
Filling and Operation	5
Draining	6
Cleaning the Petite™ Pedicure Spa	7
Cleaning/Replacing Jet Parts	8
Pedicure Product Guidelines	9
Parts List	10
Limited Warranty	11

**VERY IMPORTANT: PLEASE READ THIS
MANUAL BEFORE OPERATING THE
PETICURE SPA**

Introduction

European Touch™ sincerely thanks you for your Spa purchase! The Petite™ Portable Pedicure Spa (herein called Pedicure Spa) has been developed and is manufactured by European Touch™. This innovative Whirlpool Pedicure Spa has been designed to serve you dependably for many years. Please take time to read through this entire manual before installation and use.

Please read and follow instructions carefully!



Meets ANSI Specifications ASME/ANSI
A112.19.7M (1995). Patents Granted.
Made in USA.

PRECAUTIONS

Excessive water temperature is dangerous and should be checked BEFORE use. Maximum temperature of the water inside the Pedicure Spa tub should never exceed 100 degrees Fahrenheit .

VERY IMPORTANT! DO NOT STAND IN TUB!

The Pedicure Spa has been designed to massage the feet and toes with gentle water movement. THE TUB IS NOT INTENDED TO BE STOOD IN. Standing in tub may cause severe damage to the unit as well as possible serious injury to the person. NEVER bring and/or operate any electrical devices into or near the Pedicure Spa.

RECEIPT & INSPECTION

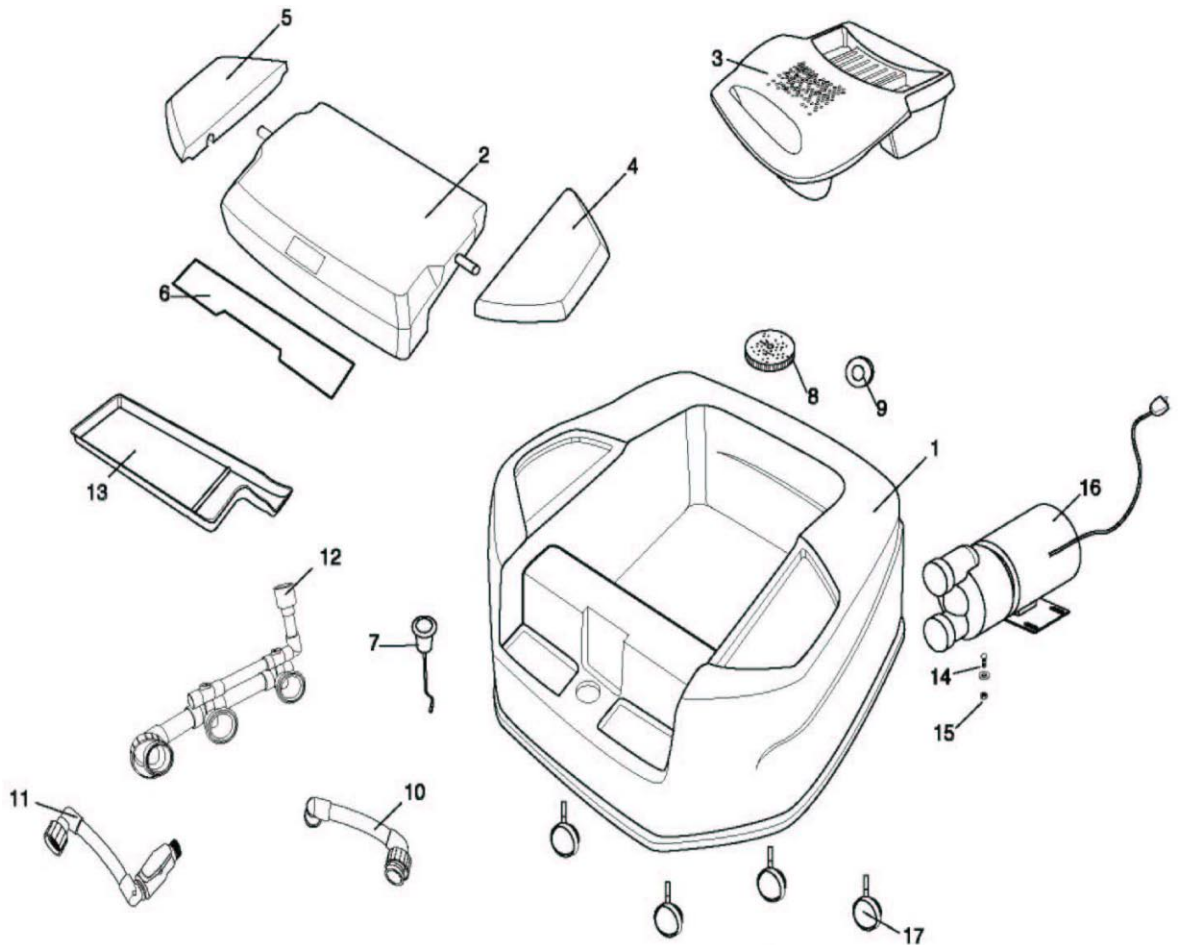
Thoroughly inspect each shipment immediately upon arrival. It is important that you notify the driver of any damage and insist on a notation directly on the face of the freight bill. Failure to note damage on the face of the freight bill may impede and/or prevent any claims that you may have against the carrier. If concealed loss or damage is found, you must notify the carrier at once and request an inspection. DO NOT DISCARD THE SHIPPING CARTON. If you give the carrier a clear receipt for goods that have been damaged in transit, you do so at your own risk and expense.

WARNING

Do Not use if you are diabetic, have poor circulation, or if any area of your feet or legs are inflamed or have open wounds. Consult a physician before using if you have any kind of fungal infection, swelling, fracture, or persistent pain. IF YOU EXPERIENCE PAIN OR DISCOMFORT, DISCONTINUE USE IMMEDIATELY AND CONSULT A PHYSICIAN.

* European Touch™, reserves the right to make changes in product characteristics, packaging, colors, and design at anytime without notice.

Parts & Contents



Item, Part Number, Description

1	Petite™ Shell	9	03010010 Suction Head Guard
2	01010023 Footrest – Center	10	01150006 Suction Pipe Assembly
3	01010021 Petite Tub Cover	11	01150002 Discharge Valve Assembly
4	01010031 Footrest – Left Side	12	01150004 Jet Sub-Assembly
5	01010032 Footrest – Right Side	13	01010020 Spill Tray
6	01130006 Rivet – Aluminum 12	14	01130003 5/16 X Bolt
7	03130002 Air Button	15	01130005 5/16 Locknut
8	03010008 Suction Cover	16	01040002 Whirlpool pump
		17	01130002 Front Caster – Locking
		17A	01130010 Rear Caster – Non-Locking

Petite™ Portable Pedicure Spa Operating Instructions

A) Electrical Outlet: Your Petite™ Portable Pedicure Spa should be conveniently located near adequate utilities during use. A 115V, 60HZ GFCI protected outlet must be used. DO NOT operate the Pedicure Spa without GFCI protection. The Petite™ Portable Pedicure Spa is also available in a 100v and 220v version. **WARNING: DO NOT USE EXTENSION CORDS WITH THE Pedicure Spa**

B) Filling and running the Petite™ Pedicure Spa:



Replace the faucet aerator with the faucet adaptor included in the hose kit.



Screw the white quick connect adaptor into the blue female hose. Connect the adaptor to the faucet by sliding the white sleeve down while sliding the connector onto the faucet adaptor.



The discharge valve is located at the bottom of the Spa. **Make sure that the valve is closed before filling with water.**

4



The discharge valve is closed when the valve handle is horizontal.

5



Fill the Spa with warm water. It is not recommended that the water temperature exceeds 100 degrees F.

6



Fill the tub with water to the wavy line on the tub wall.

7



The on/off button is located underneath the footrest. Push it once to start the Spa, push it again to stop the Spa.

8



Adjust the pressure of the jets by turning the round adjusting cover on each jet. To adjust the direction of the water flow, move the jet eyeball located in the center of the jet assembly.

Petite™ Portable Pedicure Spa Operating Instructions

C.) Draining the Petite™ Pedicure Spa:



1
Close the jets by turning the adjusting cover clockwise, so that no water flows through the jets.



2
Turn the Spa off by pushing the on/off button located under the footrest.



3
Screw the orange disconnect adapter to the male hose. Slide the orange quick connect onto the discharge valve. Make sure that the connection is secure.



4
Route the discharge hose into a drain or sink.

5



Open the discharge valve by turning the handle so that it is straight with the discharge valve.

6



Make sure the hose is secure, then turn the Spa on by pushing the on/off button located under the footrest.

7



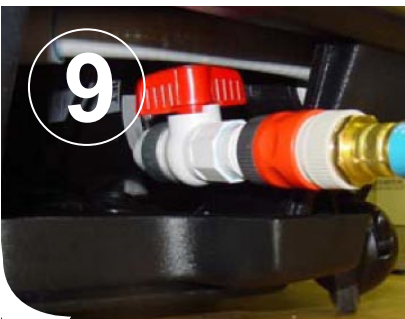
Run the pump until the water stops draining out of the hose. It is normal for a low volume of water to run out of the jets while the Spa is draining.

8



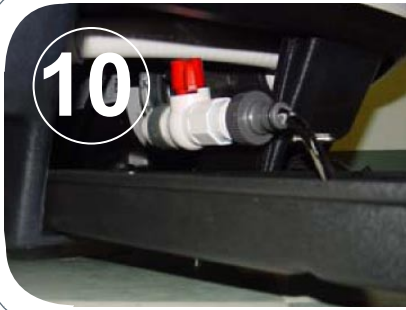
Turn the Spa off by pushing the on/off button located under the footrest.

9



Close the discharge valve handle and disconnect the drain hose from the discharge valve.

10



Pull the drip pan out about halfway and slowly open the discharge valve. Drain the remaining water into the drip pan and pour the water into a drain or sink. Repeat this until there is no more water draining out. Once this is done, close the discharge valve handle.

Cleaning your Petite™ Portable Pedicure Spa

Between Each Customer

- Drain all water and remove debris from the Pedicure Spa.
- Clean the Pedicure Spa with soap or detergent and water.
- Spray the surfaces and walls of the foot Spa with European Touch Sanitizing Spray.*
- Wipe the Pedicure Spa dry with a clean towel.

Daily flushing of the Whirlpool System

European Touch™ requires that the Pedicure Spa be thoroughly cleaned after the last pedicure of the day in the following manner:

- Remove the suction fitting cover with a Phillips head screwdriver.
- All debris trapped behind the screen needs to be removed.
- The inlet behind the screen needs to be cleaned with soap or detergent and water.
- Before replacing the screen, clean it with a chlorine bleach solution of 1(one) teaspoon of 5% chlorine bleach to 1 gallon of water, **or** Totally immerse the suction fitting cover in European Touch™ Sanitizing Spray.*
- Replace the suction fitting cover with a Phillips head screwdriver. Do not over tighten the mounting screw.
- **Do not run the Pedicure Spa whirlpool jets without the suction fitting cover in place.**
- Fill the tub basin with warm water near the wave mark on the rear wall.
- Turn the whirlpool jets on.
- Add one packet of European Touch Scrub.**to the tub basin.
- Run whirlpool for 10-15 minutes. Let the water sit overnight in the tub (6-10 hours)
- Fill the tub basin with cool water up to the wave mark on the rear wall.
- Run the whirlpool jets for 5 minutes and drain the tub basin.
- Clean the exterior of the Pedicure Spa with European Touch™ Sanitizing Spray.*

Every other week cleaning of the Whirlpool System

In addition to the daily cleaning, the following cleaning procedures must be done every other week:

- Fill the tub basin near the wave mark on the rear wall.
- Turn the whirlpool jets on.

- Add one packet of European Touch™ Scrub** to the tub basin.
- Run whirlpool for 10-15 minutes. Let the water sit overnight in the tub (6-10 hours)
- Run the whirlpool jets for 5 minutes and drain the tub basin.
- Follow the “daily flushing of the Whirlpool System instructions”.

Cleaning and disinfecting records

A record must be made of the date and time of each cleaning and disinfecting as required in the above procedures, and indicate whether the cleaning was a “Daily” or “Bi-weekly”. This record should be made available when requested by a customer or inspector.

*Failure to follow these instructions may result in voiding warranty coverage.

* An EPA approved disinfectant spray may be used in place of the European Touch Disinfectant Spray.

** 3 teaspoons of low-foaming dishwasher detergent and 2 ounces of bleach may be substituted for the European Touch™ Scrub.

Cleaning/Replacing Jet Parts

Tools needed: Needle nose pliers, 7/8" deep well socket with extension.

European Touch™ recommends that the jet assemblies are cleaned periodically. **European Touch™ Sanitizing Spray** is the recommended cleaning agent. Follow these steps to clean your jet parts or to replace any of the pieces:



1 Remove the jet eyeball using the needle nose pliers.



2 Remove the adjusting cover. This should pull out.



3 Remove the jet nozzle and nut using a 7/8" deepwell socket and extension.



4 Clean the individual parts and reassemble the jet assembly. The jet nozzle nut should be hand tightened. If the adjustment cover is hard to turn, slightly loosen the jet nozzle nut.

Pedicure Product Guidelines

Because there are so many different products on the market, it is difficult for us to list all of the pedicure products that are safe to use in our Spas. However, the following guidelines can be used:

- It has been determined that products containing non-dissolving abrasives (such as sand and sea salts) will not harm the internal component structure of your Foot Spa as long as the entire European Touch cleaning requirements are followed without deviation.
- Oil based products may be used in your pedicure Spa as long as the cleaning requirements are met.
- Do not use any products containing a foaming agent; this will cause excessive foam.
- Please use pedicure products and cleaning solutions in accordance with each manufacturer's directions.
- It is your responsibility to understand and follow your states regulations.

European Touch™ Whirlpool Pedicure Spas will give you many years of service as long as proper precautions and precise cleaning and operating instructions are followed. It is the responsibility of the Spa owner to properly clean the Spa. If you are experiencing problems cleaning your Spa, please contact the manufacturer of your pedicure products or **European Touch™ Technical Support @ 800-626-6912.**

EUROPEAN TOUCH™ LIMITED WARRANTY JANUARY 1, 2003

European Touch™ manufactures its Petite™ Whirlpool Pedicure Spa under high standards of workmanship and with high quality materials. Accordingly, European Touch™ expressly warrants their products as follows:

To the original owner of the Petite™ Whirlpool Pedicure Spa (herein called “Pedicure Spa”). European Touch™ may repair or exchange at it's option, any Pedicure Spa found to be defective in material or workmanship upon inspection by an authorized representative of European Touch™. This warranty covers the following components for the following time periods:

Recirculating Pump: Two (2) years from date of shipment.

Pedicure Spa and plumbing parts: One year from date of shipment.

Pedicure Spa Shell: One year from date of shipment.

The exchange of a Pedicure Spa is limited to supplying a replacement Pedicure Spa of comparable style and size. Owner must pay all labor and shipping charges necessary to replace or repair the Pedicure Spa. NO CONSEQUENTIAL, INCIDENTAL, OR CONTINGENT DAMAGES WILL BE ALLOWED WHATSOEVER. This warranty does not apply if the Pedicure Spa has been subject to misapplication, improper installation or maintenance, negligence, proper cleaning guidelines are not followed, or other circumstances beyond European Touch's™ control.

EXCLUSIONS

1.) Damage to pump parts and/or motor parts due to loss of prime or obstruction in plumbing lines, etc. 2.) Staining, fading or discoloration of plastic surfaces due to exposure to direct sunlight and/or the use of harmful cleaning agents or chemicals. 3.) Staining, fading or discoloration caused by improper or poor water additives not related to maintenance of proper water are not covered by this warranty. **Should service be required for any reason of any defect or any malfunction during the warranty period, please contact:**

European Touch™, Technical Support Department, 8301 W Parkland Court, Milwaukee, WI 53223, Phone Number: 414-357-7016, Toll Free: 1-800-626-6912, Fax: 414-357-6360

Online: www.europeantouch.com, E-mail: info@europeantouch.com

The owner agrees by using this Pedicure Spa that the obligation of European Touch™ shall not extend to indirect or contingent damage, of injury, which may result from such use that the obligation of European Touch™ are limited to those set forth herein, and other obligations, expressed or implied are assumed by European Touch™. No dealer or other person has any authority to make any warranties or representatives concerning European Touch™ or its products. Accordingly, European Touch™ is not responsible for any such warranties or representations. This warranty gives you specific legal rights. And you may also have other rights which vary from state to state.

IMPORTANT INFORMATION

Serial Number

WO Number

Installed by

Installation Date

Free Manuals Download Website

<http://myh66.com>

<http://usermanuals.us>

<http://www.somanuals.com>

<http://www.4manuals.cc>

<http://www.manual-lib.com>

<http://www.404manual.com>

<http://www.luxmanual.com>

<http://aubethermostatmanual.com>

Golf course search by state

<http://golfingnear.com>

Email search by domain

<http://emailbydomain.com>

Auto manuals search

<http://auto.somanuals.com>

TV manuals search

<http://tv.somanuals.com>