

No Frost Refrigerator



PARTS & SERVICE Manual



Models

5622 285L 2G UL 110V QCS - WHITE
5624 285L 2G UL 110V QCS - S.GREY
6670 220L 2G 110V/60 HZ,NARSO-GREY UL Kitting

This document is only intended for qualified technicians who are aware of the respective safety regulations.
Revised on 25/03/2003 Subject to modification
Document No. WOI/GNF/2003/003

Whirlpool of India Limited

Contents

1.0	Safety precautions & warnings	2-3
2.0	Technical Specifications	4-6
3.0	Circuit diagram	7
4.0	Sealed system schematic layout	8
7.0	Refrigerator does not operate	9
7.0	Trouble shooting -cooling system	10
7.1	Trouble shooting defrosting	11
8.10	Cabinet assembly parts diagram	12
8.11	Cabinet assembly parts list	13
8.20	Shelves part diagram	14
8.21	Shelves parts list	15
8.30	Freezer compartment parts diagram	16
8.31	Freezer compartment parts list	17
8.40	Control box parts diagram	18
8.41	Control box parts list	19
8.50	Compressor assembly parts diagram	20
8.51	Compressor assembly parts list	21
8.6	Packing and other parts	22

Safety precautions and warnings:

Read all instructions before using this appliance in order to avoid risk of accident or possible damage.

Warning / Caution



Warning

This symbol is intended to alert the user to the possible death or injury.



Caution

This symbol is intended to alert the user to the possible injury or damage.

Description of symbols



Indicates prohibition



Do not disassemble



Do not contact



Adhere the instruction strictly



Unplug from the electrical outlet



Earth the appliance to avoid the risk of an electric shock.



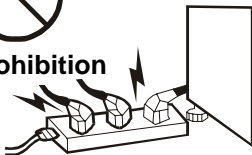
Warning

Do not plug multiple electric appliances into the same outlet.

This may cause abnormal heating or fire hazard.



Prohibition

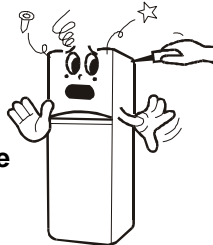


Do not disassemble repair or alter.

It may cause fire or abnormal operation which leads to injury.

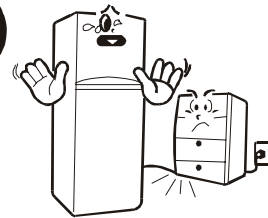


Do not disassemble



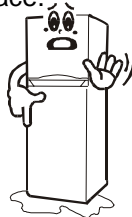
Do not bend the power cord with excessive force or do not have the power cord pressure by heavy article.

This may cause fire.



Check the operating environment

Do not install the refrigerator in a humid (with condensation) location or an unstable surface.

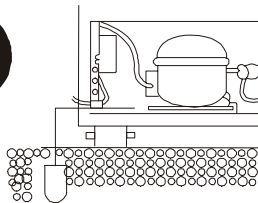


Be sure to earth.

If earthing is not done, it will cause break down and electric shock.



Earth

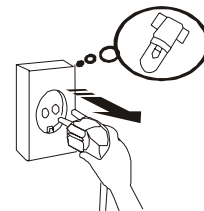


Pull the power plug out for exchanging the interior lam of the refrigerator.

It may cause electric shock



Unplug





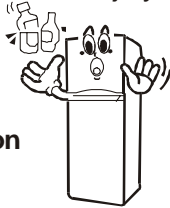
Caution

Do not store bottled food or drinks in the freezing compartment.

Bottles may explode causing personal injury.



Prohibition



Do not store food in unstable manner.

Opening the door may trigger loose items to slip & cause injury.



Prohibition



Do not store anything other than food in the refrigerator.

Medical supplies, which need to be under strict temperature control, should not be stored in the refrigerator.



Prohibition



Do not put on top of the refrigerator.

Opening or closing the door may trigger the loose items to slip & cause injury.

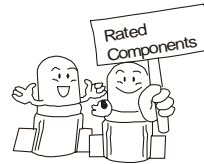


Prohibition



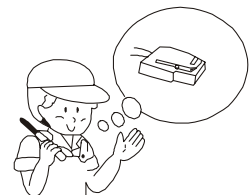
When replacing electric components, be sure to use rated components.

Check the model, rated voltage, rated current, operating temperature etc. of the component.



When servicing the refrigerator completely remove dust or foreign substances from the housing, electric connections etc.

This can protect against the risk of fire hazard caused by tracking and short circuit.



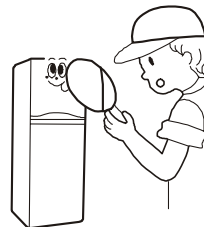
Please wipe out foreign materials of the metal option of power plug cleanly.

Use of it as it is may cause fire.



After servicing the refrigerator be sure to check the components are reassembled in a correct manner.

The service unit should be reassembled & return to its original assembly state.

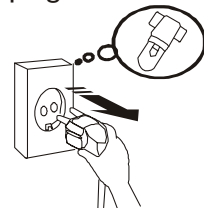


Check electrical ports for the trace of moisture penetration.

When the trace of moisture penetration is detected, insulation tapping.



Unplug



Technical Specifications for 220L DLX Model

Dimensions

Height 1408mm

Width 550mm

Depth 625mm

Capacity 220L

Refrigerator compartment-150L

Freezer compartment-70L

Thermostat Cooling

Total – 220L

Electrical Connection

Switch off Temperature

Frequency- For every 8 hours.

Power consumption

In 24 hours -1.36kwh

***With Control knobs in Mid Position**

Compressor

A2111580000

COMPRESSOR

ASSY

Compressor (for service)

Type OIL FILLED

Cooling agent

Type -R134a

Quantity – 96Grams

Switching values

Cut in Temperature

COLD:-3.9 to -7.3 Deg.Cen,

MID: -2.4 to -0.9 Deg.Cen,

WARM: 0.5 to 3.9 Deg.Cen

Voltage

Max. Voltage- 130V

Min. Voltage- 100V

This document is only intended for qualified technicians who are aware of the respective safety regulations.

Revised on 25/03/2003

Subject to modification

Document No. WOI/GNF/2003/003

Technical Specifications for 285L Elite Model

Dimensions

Height: 1725mm

Width: 550mm

Depth: 625mm

Capacity-285L

Refrigerator Compartment: 215L

Freezer Compartment: 70L

Total : 285L

Electrical Connection

Switch off Frequency: For every 8 hours.

Power consumption

In 24 hours - 1.4392 Kwh.

***With control knobs in "Mid Position"**

Compressor

A2111580000 COMPRESSOR ASSY

Compressor (for service)

Type OIL FILLED

Cooling agent

Type R134a

Quantity 96Grams

Thermostat Cooling

Cut in temperature

COLD:-1.7 to 1.7 Deg.Cen

MID : 2.0 to3.6 Deg.Cen

WARM:2.8 to 6.2 Deg.Cen

Voltage

Maximum: 130V

Minimum: 100V

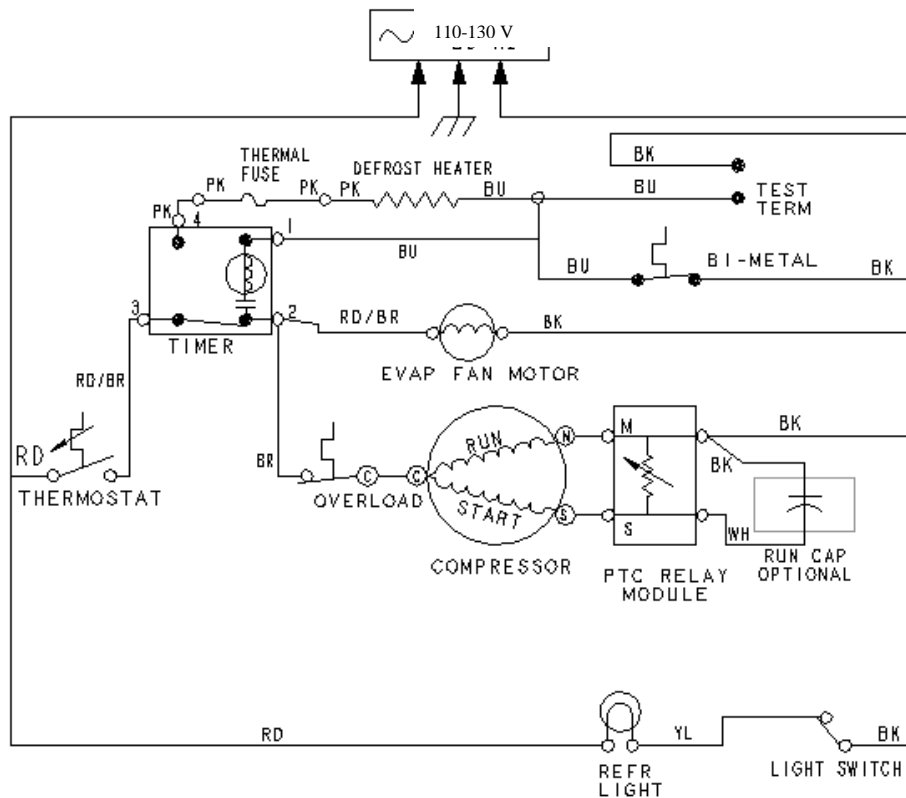
This document is only intended for qualified technicians who are aware of the respective safety regulations.

Revised on 25/03/2003

Subject to modification

Document No. WOI/GNF/2003/003

WIRING DIAGRAM



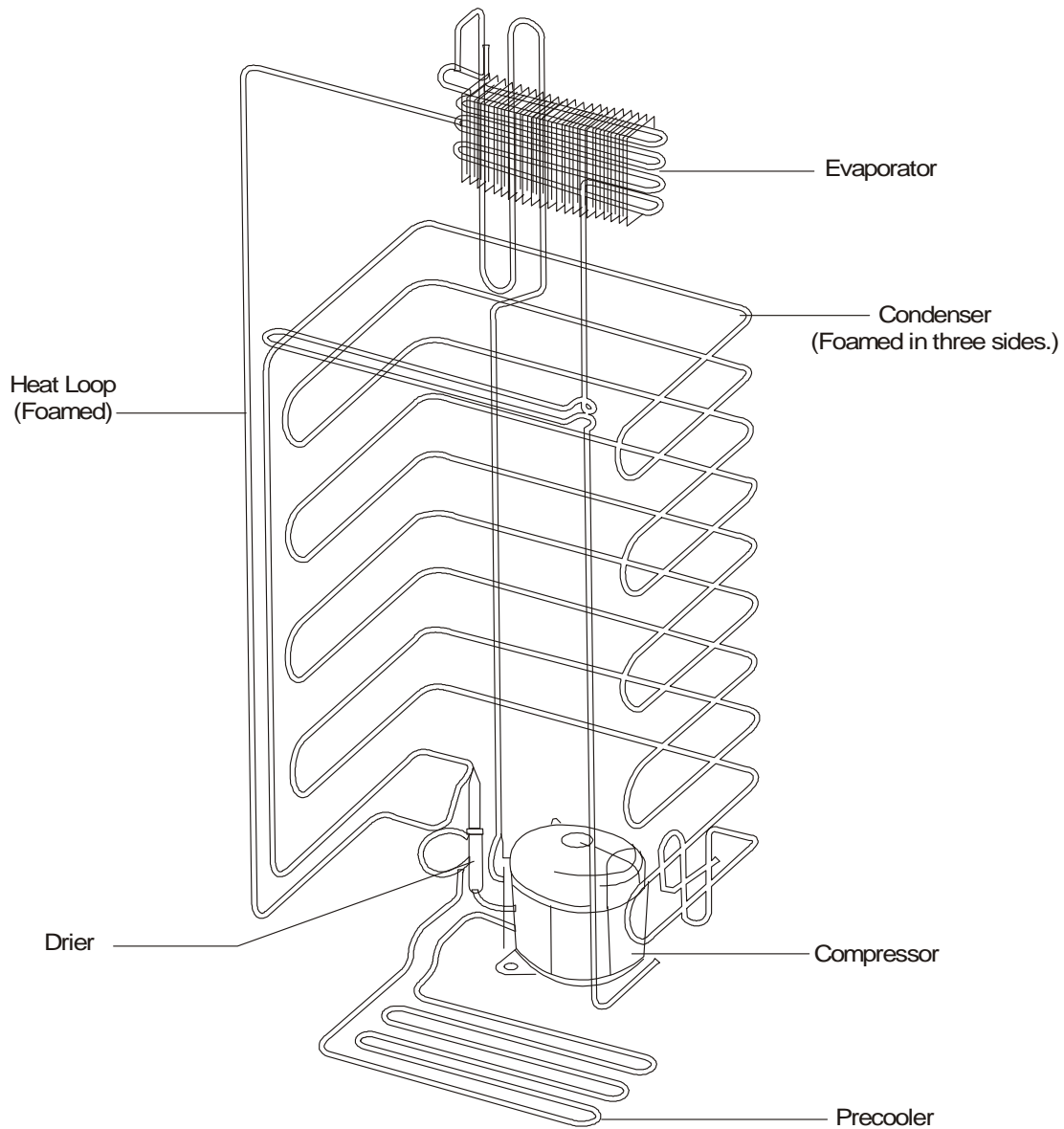
SYMBOL CODE

- ⊙ = CONNECTOR - SCREW ON
- ⊕ = CONNECTOR - CLOSED END
- = DISCONNECT TERMINAL
- = PERMANENT CONNECTION
- = PLUG CONNECTOR
- ⏏ = GROUND (CHASSIS)

WIRE COLOR CODE

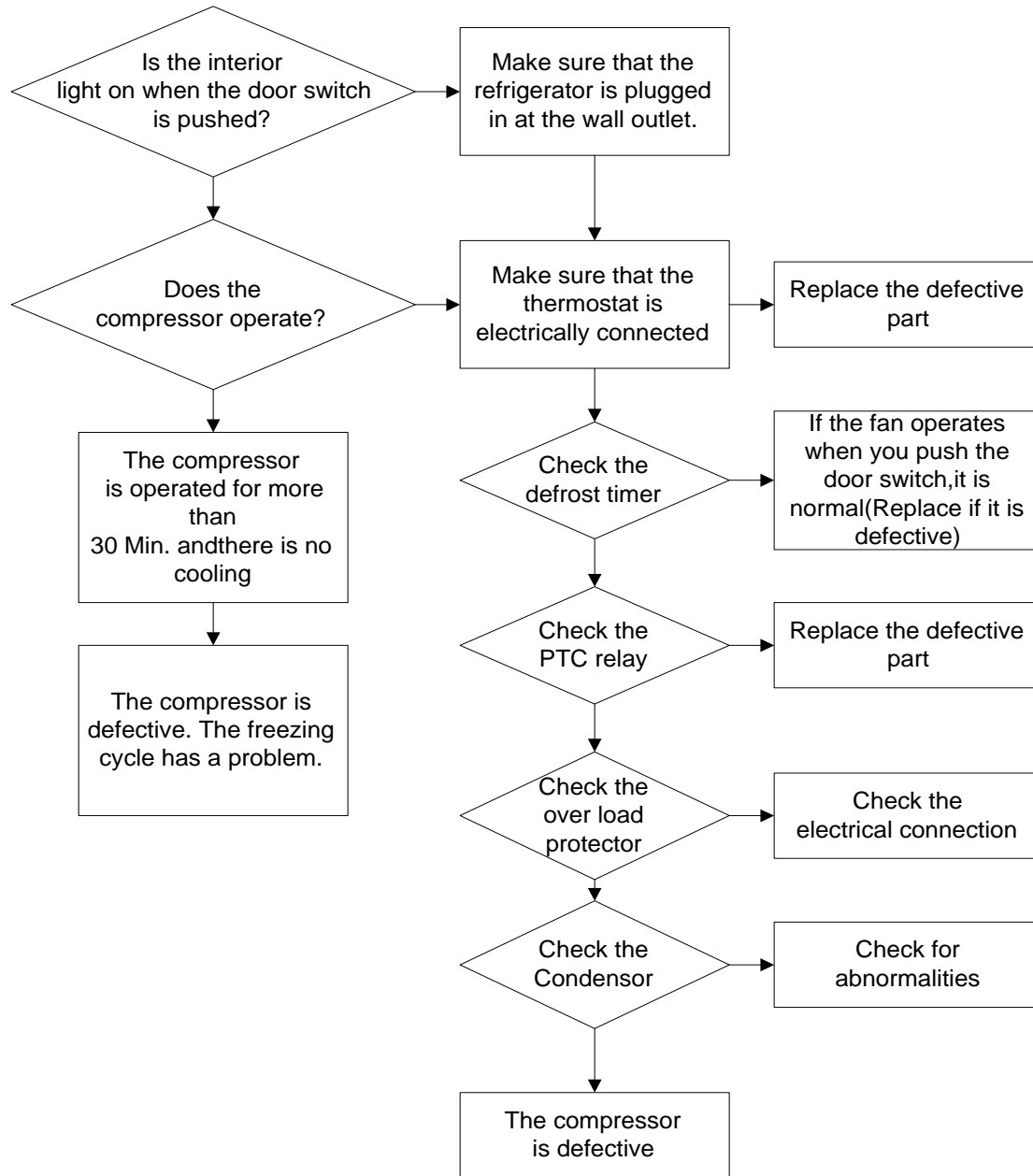
- GN = GREEN
- BU = BLUE
- BK = BLACK
- RD = RED
- WH = WHITE
- YL = YELLOW
- BR = BROWN
- PK = PINK
- RD/BR = RED/BROWN TRACER
- BR/BK = BROWN/BLACK TRACER

6.0 Sealed System Schematic Layout :



7.0 Trouble shooting method

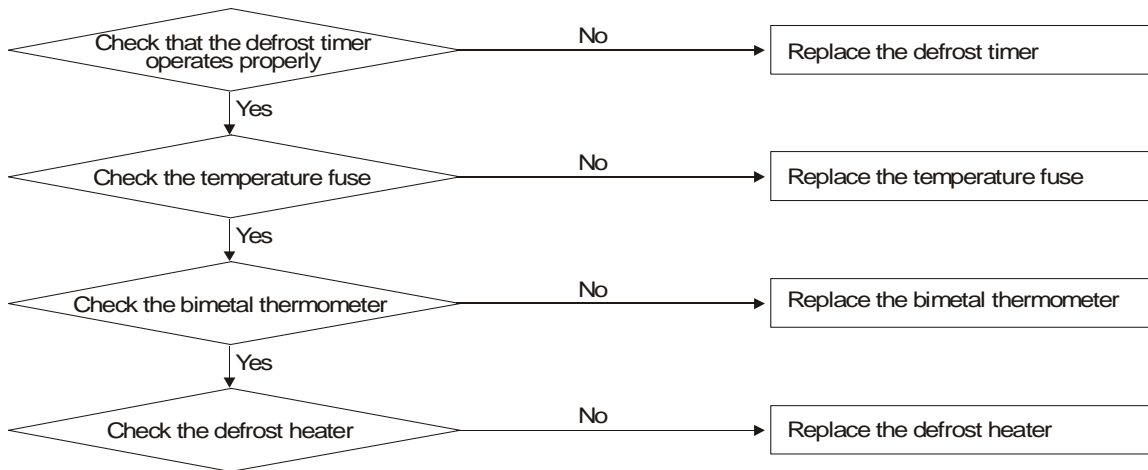
The refrigerator does not operate



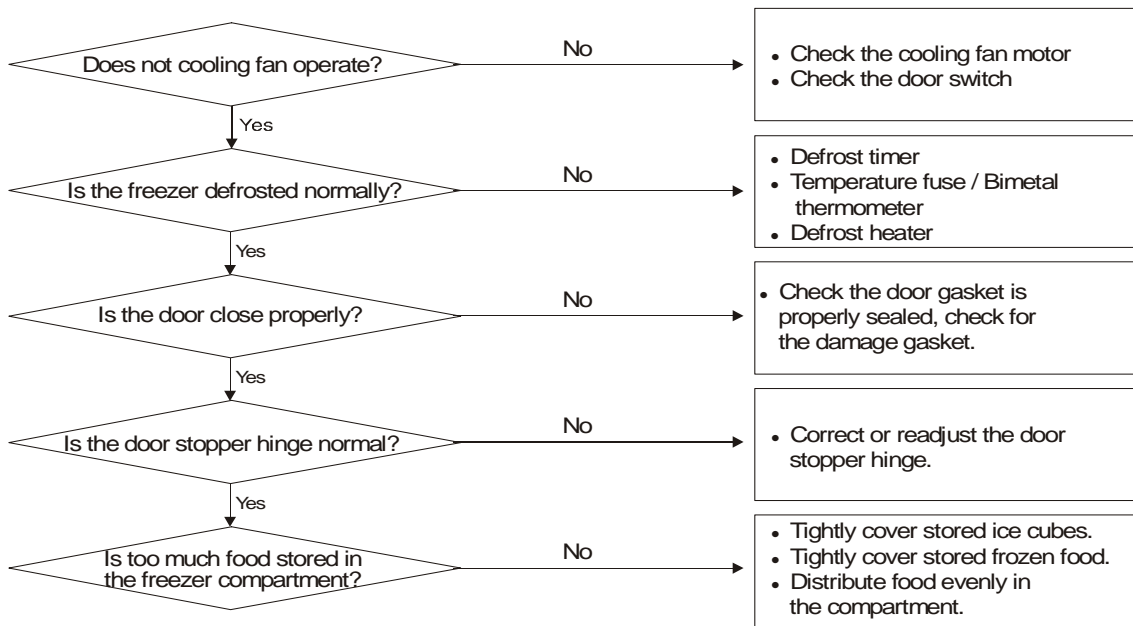
7.0. Trouble check for the cooling cycle :

Symptom	Cause	Suggestions
<ul style="list-style-type: none"> • The EVAP cools down and warms again. • The condenser warms in proportion as the EVAP cools. • The process continues to repeat. 	Moisture in the refrigerant cause the malfunction.	Replace the refrigerant.
<ul style="list-style-type: none"> • The condenser is cold. • The EVAP is not cold. • The temperature of the compressor is high. 	Foreign substances hamper the cooling cycle.	Locate the disturbed section and make repairs.
<ul style="list-style-type: none"> • No difference in temperatures between suction pipe and discharge pipe. • The temperature of the compressor is maintained at room temperature. • The EVAP does not cool down. 	The compressor is defective.	Replace the compressor.
<ul style="list-style-type: none"> • Frost on the suction pipe. • The condenser is overheated. • The refrigeration in the EVAP is not efficient. 	To much refrigerant.	Replace the refrigerant.
<ul style="list-style-type: none"> • The condenser is cold. • The compressor surface temperature is high. • The refrigerator is not easily get cooled. 	Refrigerant licks (Slight refrigerant leakage causes partial cooling with frost on the EVAP)	After welding the licked parts, replace the refrigerant.

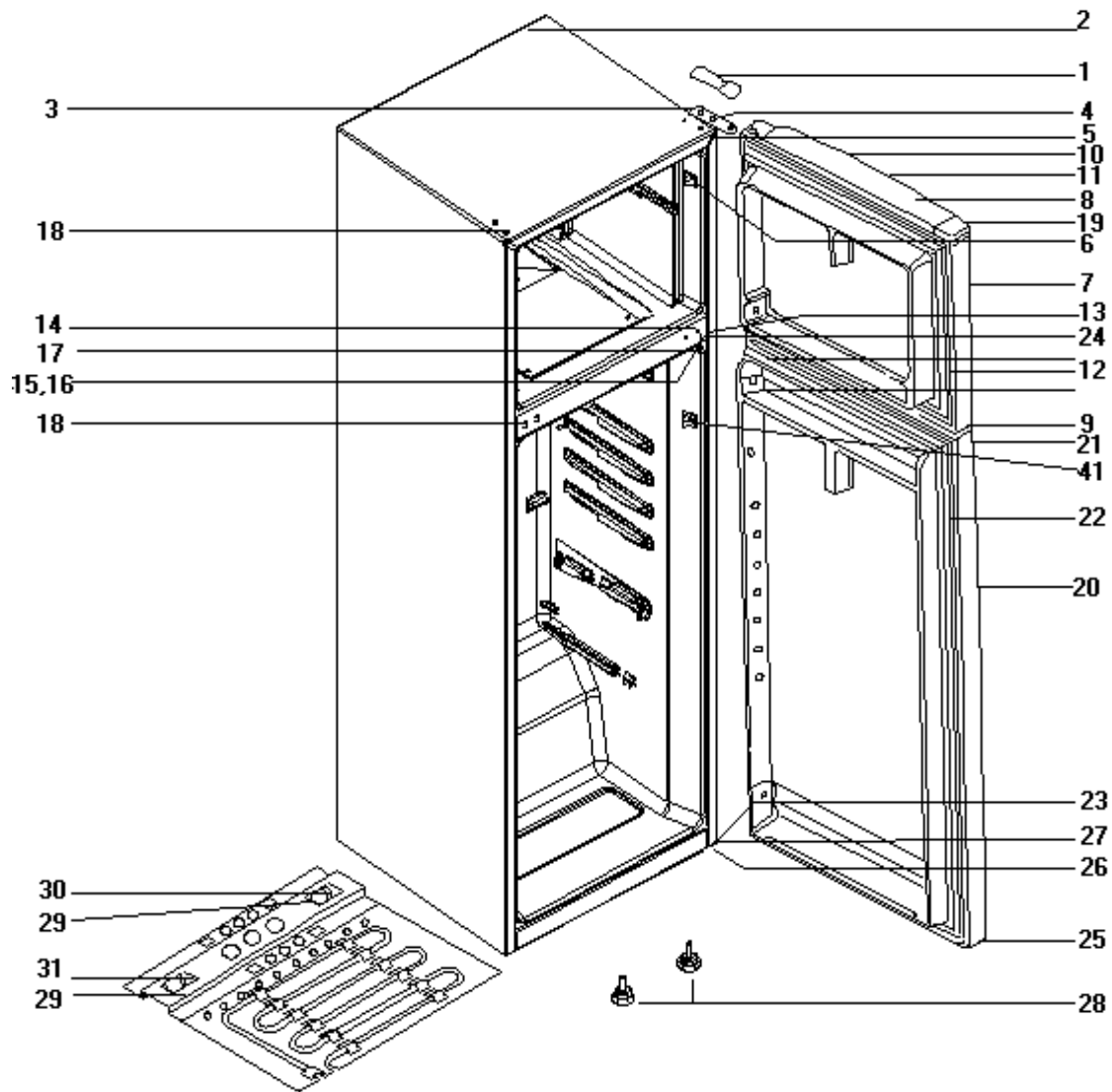
7.1 Defrosting mechanism does not work :



7.2 Defrosting mechanism does not work :



8.10 Cabinet Assembly Parts :



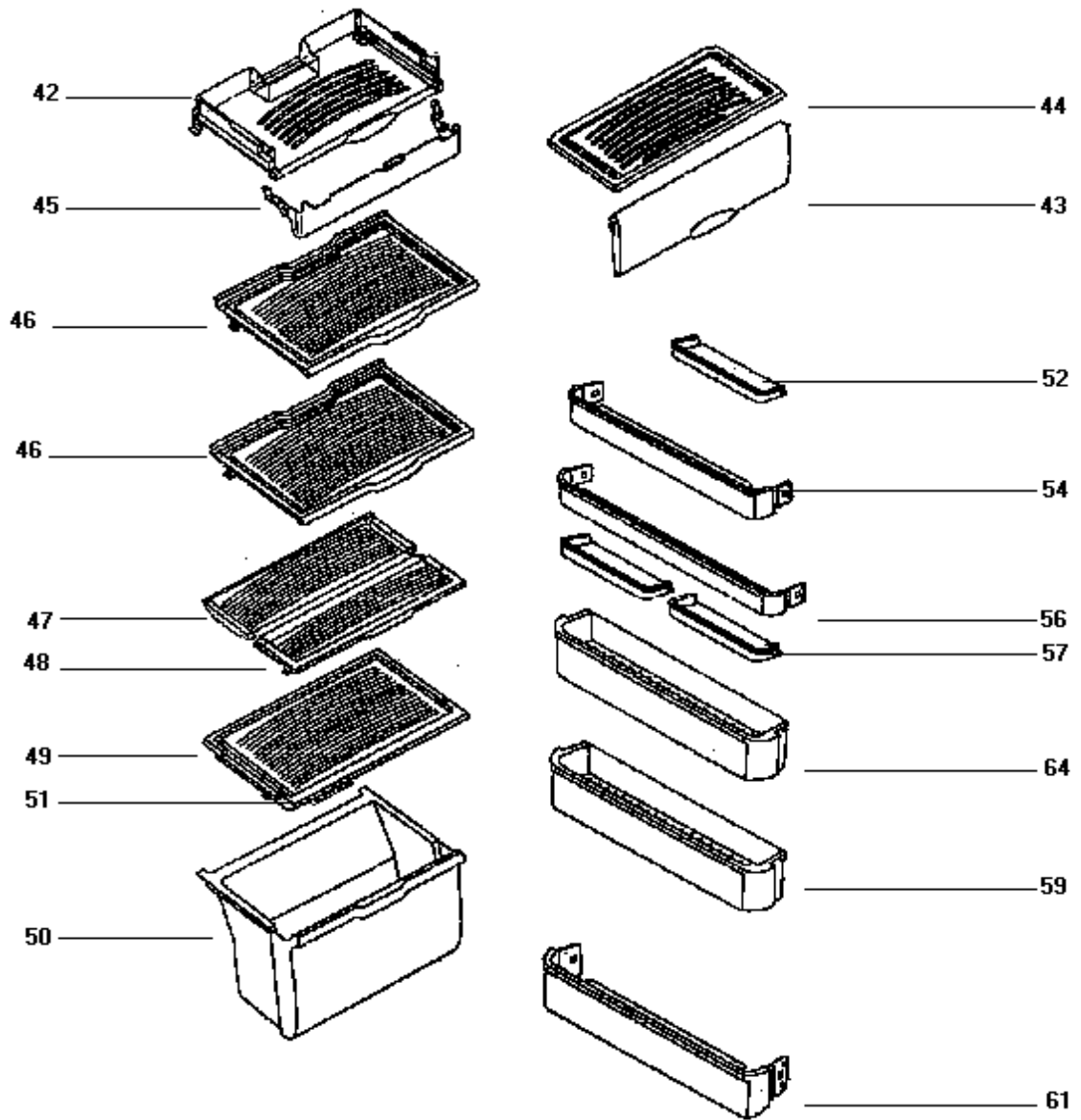
8.11 CABINET ASSEMBLY PARTS

Loc No	Part Code	Description	5622	5624	6670
1	A2010870000	SLEEVE- HINGE	2	2	2
1	A201416000J	HINGE ASSY TOP - GNF, 2G, 3G	1	1	1
5	A201107200B	FILLER- WRAPPER CORNER- WHITE	1		
6	21499540000	SWITCH 2 TERM ROCKER ARM	1	1	1
7	A2080630700	DOOR ASSEMBLY FC (FIP) - GREY SLICK		1	1
7	A2080632000	DOOR ASSEMBLY FC (FIP) 2G - WHITE	1		
8	A2080452000	END CAP FC-TOP, WHITE	1		
9	A2080152000	HANDLE- DOOR, FC- WHITE	1		
9	A2080462000	END CAP - FC BOTTOM, WHITE	1		
9	A2080150700	HANDLE- DOOR, FC- GREY		1	1
9	A208046070B	END CAP - FC BOTTOM, GREY SLICK		1	1
9	A2081330000	RETAINER - FC HANDLE, 2G	1		
11	A2080090000	QUICK CHILL LOGO, 2G	1	1	1
11	A208045070B	END CAP FC-TOP, GREY		1	1
12	A2035270000	GASKET- FC, DOOR - SERVICE	1	1	1
14	A201156200D	STOP - DOOR ,FC- RH SWING- WHITE	1		
14	A2011560700	STOP - DOOR, FC- RH SWING- GREY		1	1
16	A201198000A	SUPPORT- DOOR	1	1	1
18	9400140000	HOLE PLUG	1	1	1
18	A2016462000	HOLE PLUG, PRESSFIT- WHITE	1		
18	A2011070700	FILLER- WRAPPER CORNER, GREY		1	1
18	A201646070A	HOLE PLUG, PRESSFIT- GREY		1	1
20	A2080600700	DOOR ASSEMBLY RC (FIP) 220L-GREY SLICK			1
20	A2099630700	DOOR ASSY RC 285, 2G-VCM W/O LOCK-S Grey		1	
20	A2099632000	DOOR ASSY RC 285, 2G-HPP W/O LOCK-WHITE	1		
21	A2080472000	END CAP - RC TOP, WHITE	1		
21	DA20413003E	HANDLE M.GREY-190/215L ELITE	1	1	1
21	A208047070B	END CAP - RC TOP, GREY SLICK		1	1
22	A2035260000	GASKET- RC, DOOR 285L- SERVICE	1	1	
22	A2035770000	GASKET- RC, DOOR 220L- SERVICE			1
25	A2080482000	END CAP - RC BOTTOM, WHITE	1		
25	A208048070B	END CAP - RC BOTTOM, GREY SLICK		1	1
26	A2017410000	HINGE SUB ASSY, BOTTOM - 2G	1	1	1
26	A2113670000	STOP- DOOR, RC- NYLON6(MoS)		1	1
29	2150304000	ROLLER BACK	1	1	1
41	11153730000	SWITCH 3 TERM ROCKER ARM	1	1	1

This document is only intended for qualified technicians who are aware of the respective safety regulations.
 Revised on 25/03/2003
 Document No. WOI/GNF/2003/003

Subject to modification

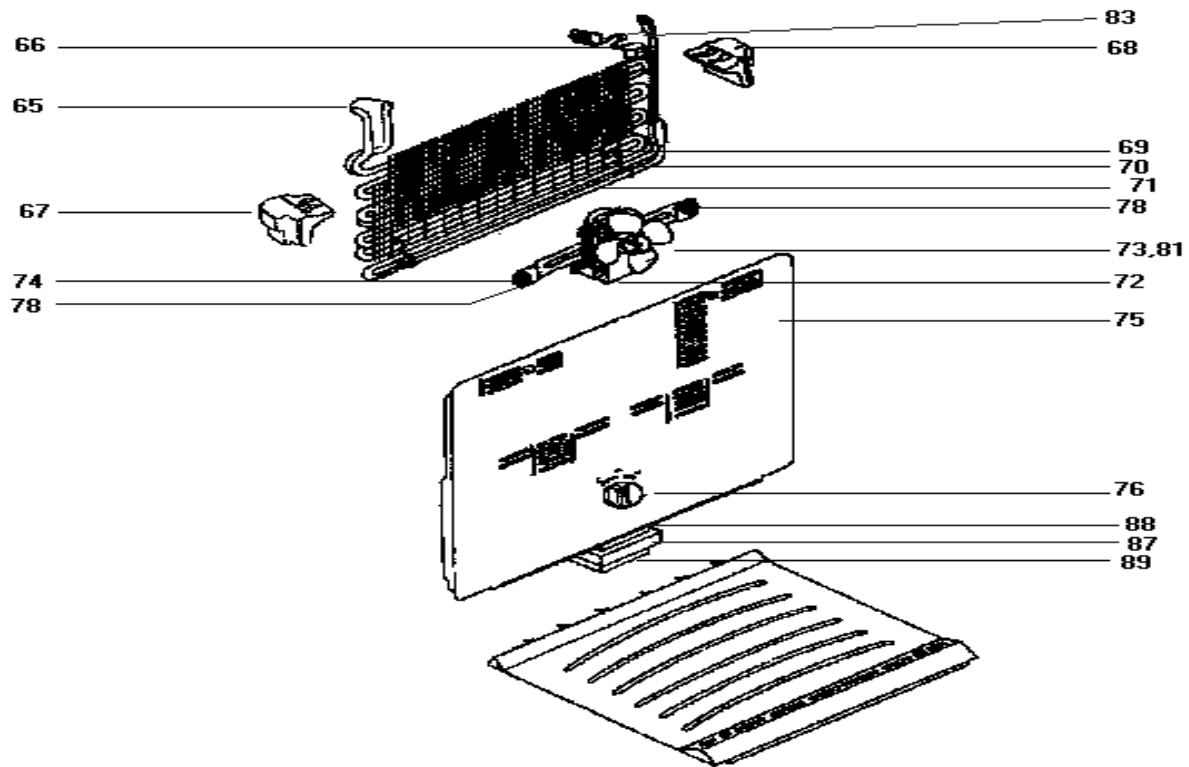
8.20 Shelves :



8.21 SHELVES PARTS

Loc No	Part Code	Description	5622	5624	6670
42	A201012000A	PAN CHILLER 285L	1	1	
42	A201224000E	PAN CHILLER- 220/250L			1
44	A208172000A	HALF SHELF - QUICK FREEZE	1	1	1
44	A2083020000	WIRE SHELF ASSY, DOOR COOLING -INTELCOOL			1
45	A201013000G	DOOR- CHILLER	1	1	
46	A203793000B	SHELF- RC (SAN)	2	2	1
47	A2037950000	SHELF BACK- TRIPLE (SAN)	1	1	1
48	A203794000A	SHELF FRONT- TRIPLE (SAN)	1	1	1
49	A201036000K	COVER -CRISPER	1	1	
49	A201207000H	COVER -CRISPER			1
50	A201206000H	CRISPER PAN	1	1	1
51	A201178000B	SLIDE, HUMIDITY CONTROL BLUE	1	1	1
52/57	A201391000C	SHELF FLIP UP 65L	1	1	2
54	A201034000E	TRIVET, FC	1	1	1
57	A201021000F	DOOR BIN	1	1	
59	A201008000G	TRIVET- RC- DEEP	1	1	1
61	A201001000G	TRIVET- RC, SHALLOW	1	1	1

8.30 Freezer Compartment Assembly :

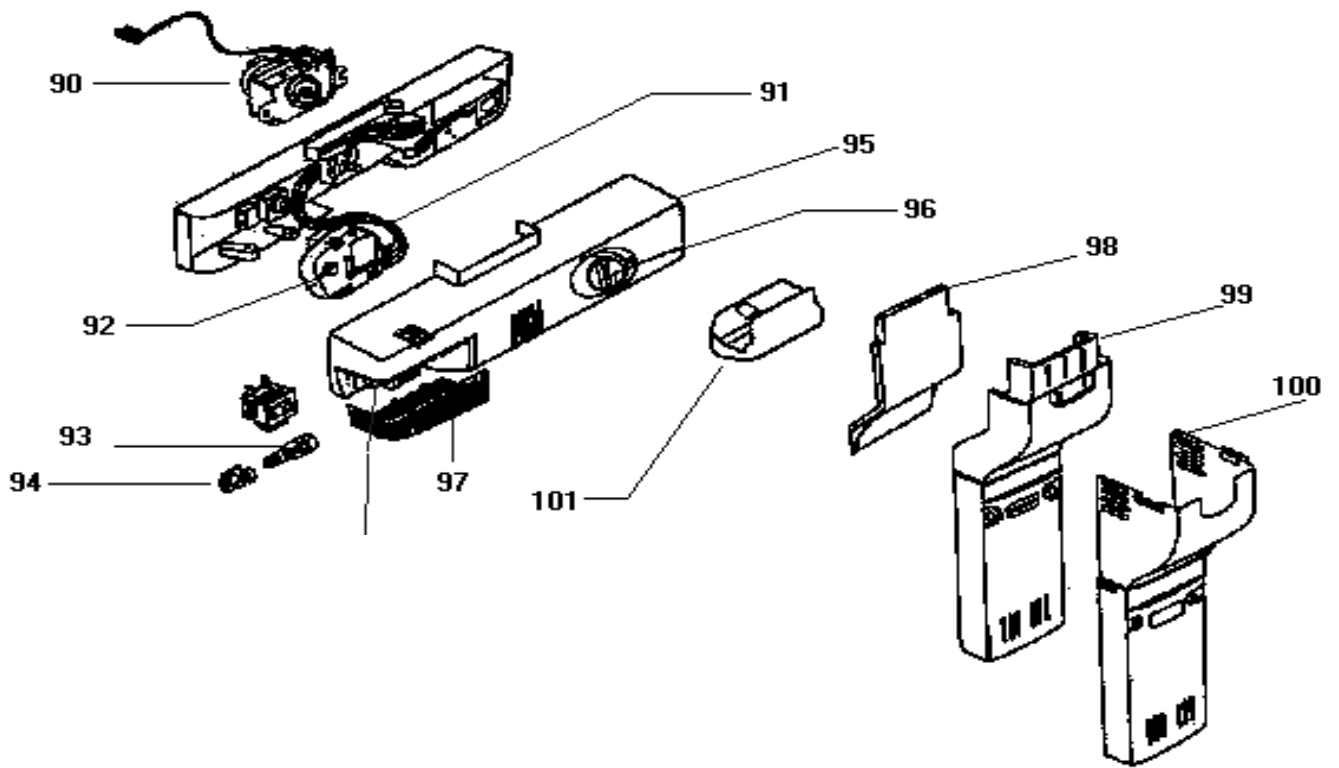


8.31 FREEZER COMP. ASSY. PARTS LIST

Loc No	Part Code	Description	5622	5624	6670
65	A2016380000	GROMMET SOUND DEADENING- BACK	1	1	1
66	A201637000A	GROMMET SOUND DEADENING- FRONT	1	1	1
67	A201476000A	WEDGE ,EVAP MOUNTING- LH	1	1	1
68	A201475000D	WEDGE ,EVAP MOUNTING- RH	1	1	1
68	A2035710000	FOIL- EVAPORATOR WEDGE	1	1	1
69	A2013780000	SOUND DEADENING- EVAPORATOR	1	1	1
69	A2112900000	EVAPORATOR-SPIROTECH	1	1	1
70	A2036310000	DEFROST HEATER, 110V/60HZ- TAIWAN	1	1	1
72	A201492000B	COVER EVAP, BACK	1	1	1
73	A203627000A	FAN MOTOR- EXPORT, 110V/60HZ	1	1	1
75	A201493000H	COVER EVAP, FRONT	1	1	
75	A2036600000	COVER EVAP, FRONT- EXPORT			1
76	A201494000C	DAMPER -FREEZER CONTROL	1	1	
76	A201495000C	KNOB -FREEZER CONTROL	1	1	1
76	A201566000A	DAMPER, FREEZER CONTROL- 220/250L			1
78	5319330000	GROMMET FAN MTG	1	1	1
81	A201179000C	BLADE -FAN, EVAPORATOR	1	1	1
83	A2036380000	WIRING ASSY- FC 110V/60HZ	1	1	1
87	A201164000A	GASKET- EVAP COVER ,SIDE	1	1	1
88	A2011630000	GASKET -EVAP COVER ,TOP	1	1	1
89	A201068000J	FREEZER FLOOR-INTEGERATED, HIPS	1	1	1
89	A2012550000	GASKET- EVAPORATOR COVER,BOTTOM	1	1	1

This document is only intended for qualified technicians who are aware of the respective safety regulations.
 Revised on 25/03/2003 Subject to modification
 Document No. WOI/GNF/2003/003

8.40 Box Assembly :

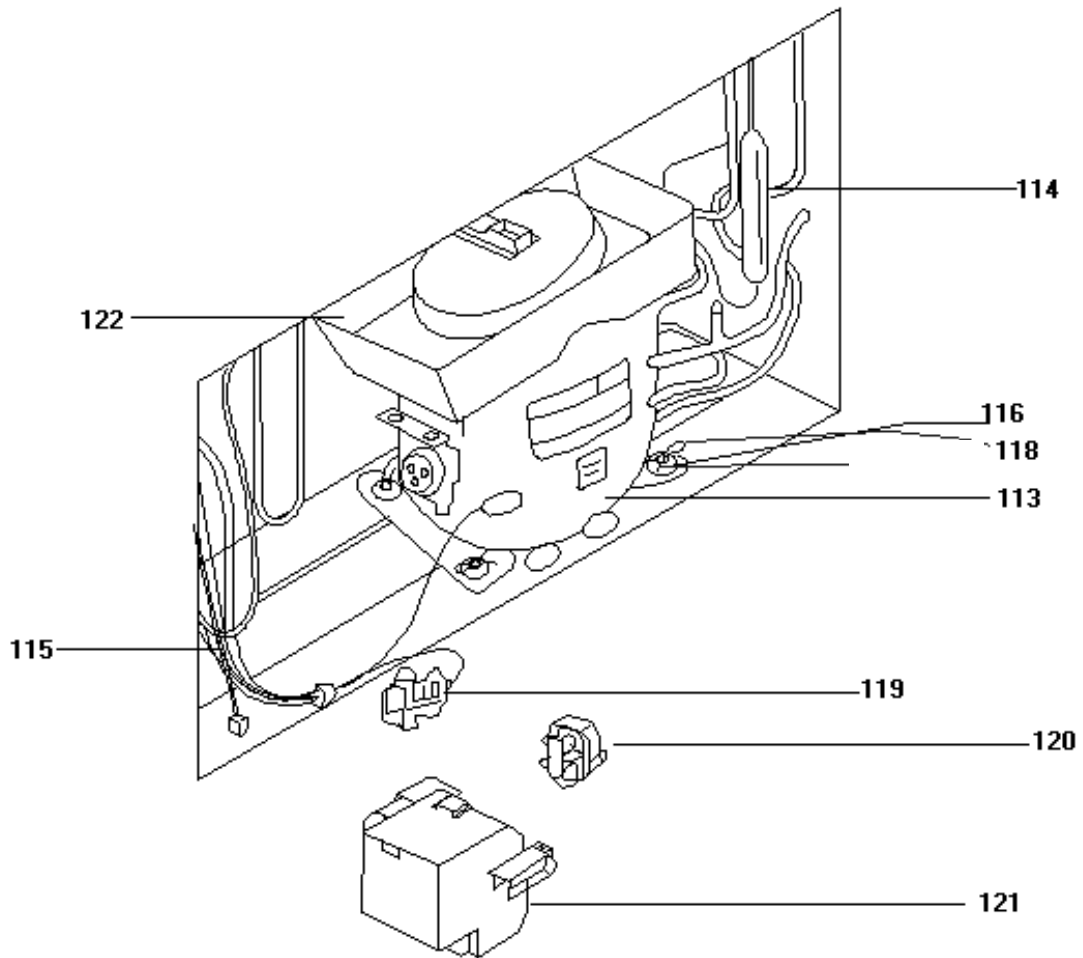


8.41 CONTROL BOX ASSY. PARTS LIST

Loc No	Part Code	Description	5622	5624	6670
90	A201617000B	THERMOSTAT GE- 220L			1
90	A2016300000	THERMOSTAT WT ASSY -220L			1
90	A2016940000	THERMOSTAT WT ASSY -285L, SIEBE	1	1	
91	A2113830000	WIRING ASSY.CONT BOX- PUERTORICO NON BAT	1	1	1
92	A2111090000	DEFROST TIMER, PARAGON - 115V-60HZ	1	1	1
93	A2013960000	BULB- E14, 110V SUNSHINE KOREA	1	1	1
94	A2014490000	SOCKET ASSY- LIGHT	1	1	1
95	A201593000G	CONTROL BOX -285L NEW GRAPHICS	1	1	
95	A2036980000	CONTROL BOX, 220L, HK- RETAIL			1
96	A201135000D	KNOB - THERMOSTAT	1	1	
96	A2036590000	KNOB, CONTROL- RC, EXPORT			1
97	A201037000A	LIGHT LENS	1	1	1
97	A201616000B	SHIELD, ELECTRICAL LIGHT	1	1	1
99	A2017080000	EXTN- BODY AIR DIFFUSER FRONT- 285L (L.C	1	1	
99	A208217000A	BODY AIR DIFFUSER, REAR - DOOR COOLING	1	1	1

This document is only intended for qualified technicians who are aware of the respective safety regulations.
 Revised on 25/03/2003 Subject to modification
 Document No. WOI/GNF/2003/003

8.50 Compressor Assembly :



8.51 COMPRESSOR ASSY. PARTS LIST

Loc No	Part Code	Description	5622	5624	6670
100	A201039000F	COVER - AIR DIFFUSER	1	1	1
100	A201709000B	EXTN. COVER AIR DIFFUSER- 285L (L.C)	1	1	
100	A208216000A	BODY AIR DIFFUSER, FRONT - DOOR COOLING	1	1	
100	A2082830000	BODY -AIR DIFFUSER, FRONT - INTELCOOL			1
101	A201042000B	DRAIN CUP	1	1	1
113	A2111580000	COMPRESSOR ASSY- DA51C72RBU6 W/O OIL	1	1	1
114	GNF43870190000	SERVICE DRIER	1	1	1
115	A201365000B	PLATE -COMPRESSOR MOUNTING	1	1	1
115	A2019930000	ASSY, PLATE - LEVELER - 2G	1	1	1
115	A2113860000	WIRE ASSY UNIT INT.- UL 115V/60Hz	1	1	1
116	A201105000A	GROMMET- COMPRESSOR	1	1	1
116	A201435000A	CLIP-COMPRESSOR MOUNTING	1	1	1
116	A201441000A	SHIM-MOUNTING CLIP COMPRESSOR	1	1	1
122	A2072080000	TRAY- EVAPORATING- QB51	1	1	1

8.6 Packing and Accessories/spares

Part Code	Description	5622	5624	6670
2153908000	GROMMET-HEAT EXCH	1	1	1
97918330000	BI-METAL CLIP	1	1	1
A201030000E	COVER - UNIT- MTG	1	1	1
A201139000A	TRAY - EGG	1	1	1
A2011660000	FOIL- EVAP COVER	1	1	1
A201197000C	POST-CORNER, BACK	1	1	
A201437000A	PUSHNUT	1	1	1
A201458000F	POLYBAG, 285L - DOMESTIC	1	1	
A201461000E	POLYBAG, 220L - DOMESTIC			1
A201466000B	GROMMET - DRAIN SEAL	1	1	1
A201471000A	FOIL- CONTROL BOX	1	1	1
A2075240000	WASHER HINGE BEARING	1	1	1
A2080820000	WEDGE- HANDLE, FC	1	1	1
A208084000A	CORNER POST FRONT, RH	1	1	
A208086000D	BASE PACKAGING - 2G	1	1	
A208089000A	BOTTOM CAP FLAT - 2G	1	1	
A2080990000	SUPPORT DOOR, FC - EPS	1	1	
A208100000A	CORNER POST FRONT, LH	1	1	
A208106000A	EPS TOP - 250, 285L - 2G	1	1	
A2111160000	EDGE BOARD, BASE PACKAGING			1
A2112620000	PHILIPS HEAD SCREW M5.5X1.8, DASH BOARD	1	1	1
A2113550000	TUBE RESTRICTOR, OD 1.93	1	1	1
A211405000A	CLIP-DEFROST HEATER (SPIROTECH EVAP)	1	1	1
D111404100C	TIE CLAMP ALL MODELS	1	1	1

This document is only intended for qualified technicians who are aware of the respective safety regulations.

Revised on 25/03/2003

Subject to modification

Document No. WOI/GNF/2003/003

Part Code	Description	5622	5624	6670
A201671000B	RETAINER- BOTTLE, 285L BLUE	1	1	
A2036320000	USE & CARE GUIDE-Eng/Fren/Arabic	1	1	1
A204131070A	Handle cover-grey 310L		1	1
A2041312000	HANDLE COVER- WHITE	1		
A208053070D	DASH BOARD - BOTTOM, GREY SLICK		1	1
A208053200D	DASH BOARD - BOTTOM, WHITE	1		
A208054070D	DASH BOARD, TOP - GREY SLICK		1	1
A208054200D	DASH BOARD, TOP - WHITE	1		
A208142000E	SLEEVE 4 FLAP, 285L 2G EXPORT,5 PLY	1	1	
A2081650000	SUB ASSY, EPS BOTTOM - GNF 2G	1	1	
A208168000A	BRACKET, ICE TWISTER	1	1	1
A208170000A	ICE TRAY	1	1	1
A208171000A	ICE COLLECTOR	1	1	1
A2081860000	SUPPORT BUSH, ICE TWISTER	1	1	1
A208203000A	CUSHION SHELF PIPE - DOOR COOLING	1		
A2082050000	AIR DIRECTOR, ICE TWISTER	1	1	1
A208211000B	HOUSING CUSHION - DOOR COOLING	1		
A208213000A	SHELF DUCT RH - DOOR COOLING	1	1	1
A208214000A	SHELF DUCT LH - DOOR COOLING	1	1	1
A208222000A	SHELF DUCT PIPE - DOOR COOLING	1	1	1
A2082230000	PLUG SHELF PIPE - DOOR COOLING	1	1	1
A2082240000	VALVE - DOOR COOLING	1	1	1
A2082250000	KNOB, FLOW CONTROL - DOOR COOLING	1	1	1
A2082300000	SUB ASSY, AIR SEPARATOR - DOOR COOLING	2	1	1
A208245000A	AIR DEFLECTOR, DOOR COOLING	1	1	1
A2084290000	ICE TWISTER SUB ASSY	1	1	1
A2084300000	ICE BRAKET SUB ASSY	1	1	1
A2110910000	BASE PACKAGING, GNF EXPORTS			1
A2110920000	PAD TOP, GNF EXPORTS			1
A2110930000	CORNER POST-FRONT, GNF EXPORTS			1
A2110940000	CORNER POST-BACK, GNF EXPORTS			1
A2110950000	SLEEVE 220L, GNF EXPORTS (Optimised)			1
A2114310000	ANGLE BOARD - NEW	1	1	

This document is only intended for qualified technicians who are aware of the respective safety regulations.
Revised on 25/03/2003 Subject to modification
Document No. WOI/GNF/2003/003

Free Manuals Download Website

<http://myh66.com>

<http://usermanuals.us>

<http://www.somanuals.com>

<http://www.4manuals.cc>

<http://www.manual-lib.com>

<http://www.404manual.com>

<http://www.luxmanual.com>

<http://aubethermostatmanual.com>

Golf course search by state

<http://golfingnear.com>

Email search by domain

<http://emailbydomain.com>

Auto manuals search

<http://auto.somanuals.com>

TV manuals search

<http://tv.somanuals.com>