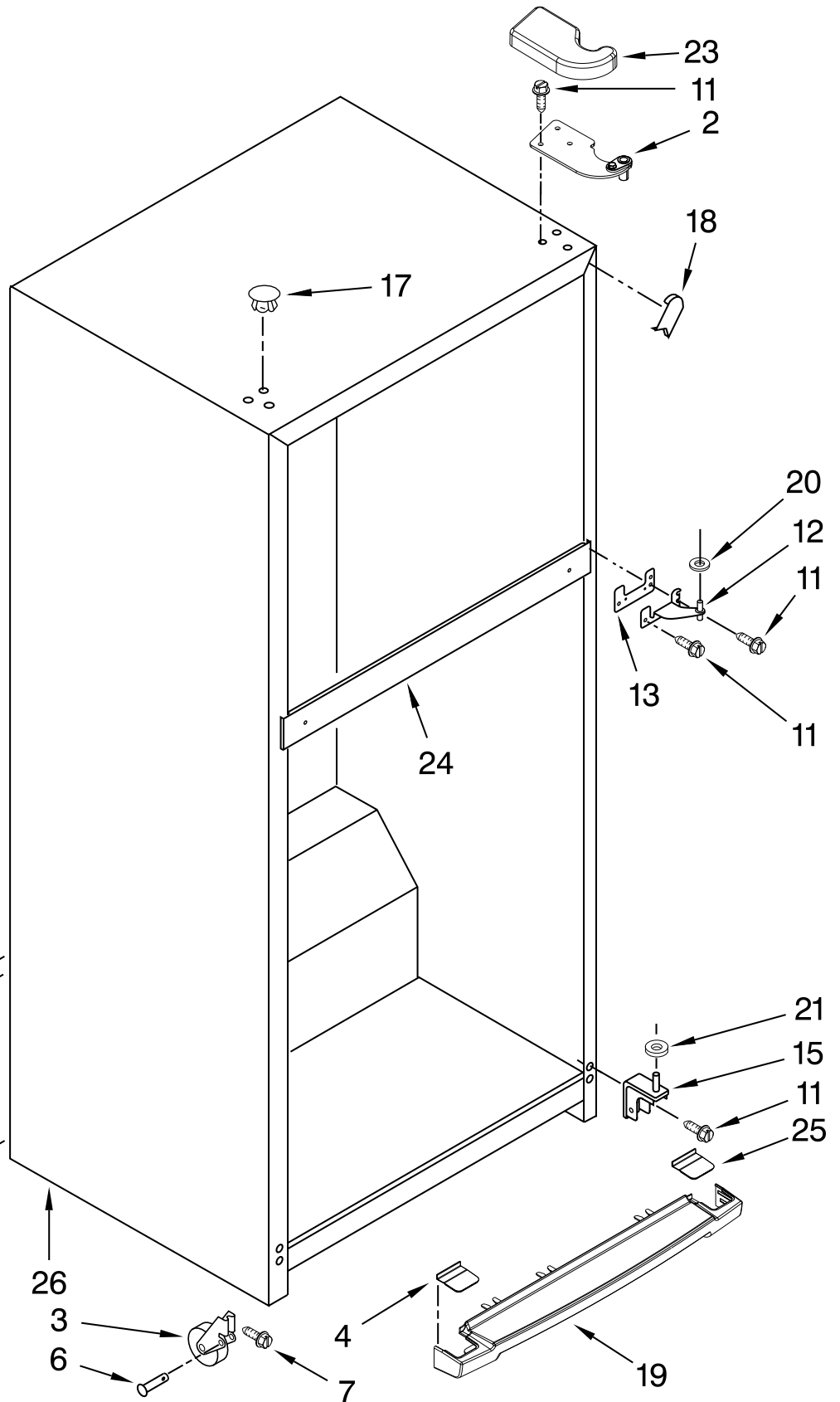
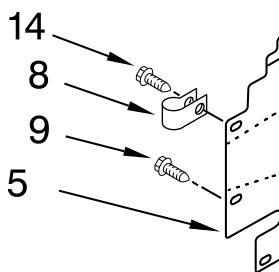
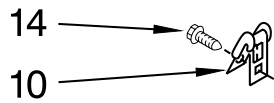
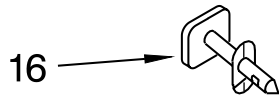
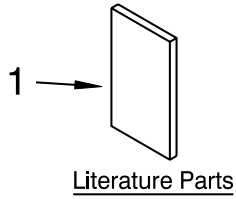


CABINET PARTS

REFRIGERATOR

For Models: WRT351SFYW00, WRT351SFYB00, WRT351SFYF00, WRT351SFYM00
(White) (Black) (Stainless Steel) Sparkle



FOR ORDERING INFORMATION REFER TO PARTS PRICE LIST

CABINET PARTS

For Models: WRT351SFYW00, WRT351SFYB00, WRT351SFYF00, WRT351SFYM00
 (White) (Black) (Stainless Steel) Sparkle)

| Illus. No. | Part No. | DESCRIPTION | Illus. No. | Part No. | DESCRIPTION | Illus. No. | Part No. | DESCRIPTION |
|------------|-----------|------------------------|------------|-----------|------------------------------------|------------|-----------|----------------------------------|
| 1 | | Literature Parts | 6 | 2221797 | Rivet | 19 | | Grille |
| | W10404596 | Service & Wiring Sheet | 7 | 3400517 | Screw | | | (Includes Illus. 4 & 22) |
| | W10353988 | Energy Label | 8 | 489385 | Tube Clamp | | W10300129 | White |
| | W10343810 | Use & Care Guide | 9 | 489427 | Screw | | W10353939 | Black |
| | | | 10 | 549193 | Clamp, Cord | | W10353941 | Grey |
| | | | 11 | 489497 | Screw | 20 | 489341 | Washer, Plain |
| | | | 12 | 2254618 | Hinge, Center | 21 | 487576 | Washer, Nylon |
| | | | 13 | 2183852 | Shim, Hinge Center | 23 | | Cover, Hinge |
| | | | 14 | 8281265 | Screw | | W10331560 | White RS |
| | | | 15 | 2254473 | Hinge Butt | | W10331654 | White LS |
| | | | 16 | | Fitting, Water Tube (NOT SERVICED) | | W10353945 | Black RS |
| | | | 17 | | Hole Plug (6) | | W10353948 | Black LS |
| | | | | 2201012 | White | | W10353947 | Grey RS |
| | | | | 2183998 | Black | | W10353950 | Grey LS |
| | | | | 2254506 | Grey | 24 | | Rail, Center (NOT SERVICED) |
| | | | 18 | | Corner Filler (2) | 25 | | Cover, Toe Grille |
| | | | | W10283959 | White | | | Hinge |
| | | | | W10283960 | Black | | W10381059 | White |
| | | | | W10283961 | Grey | | W10381060 | Black |
| | | | | | | | W10381064 | Midnight Grey |
| | | | | | | 26 | | Cabinet (Not a Serviceable Part) |

Following May Be Purchased

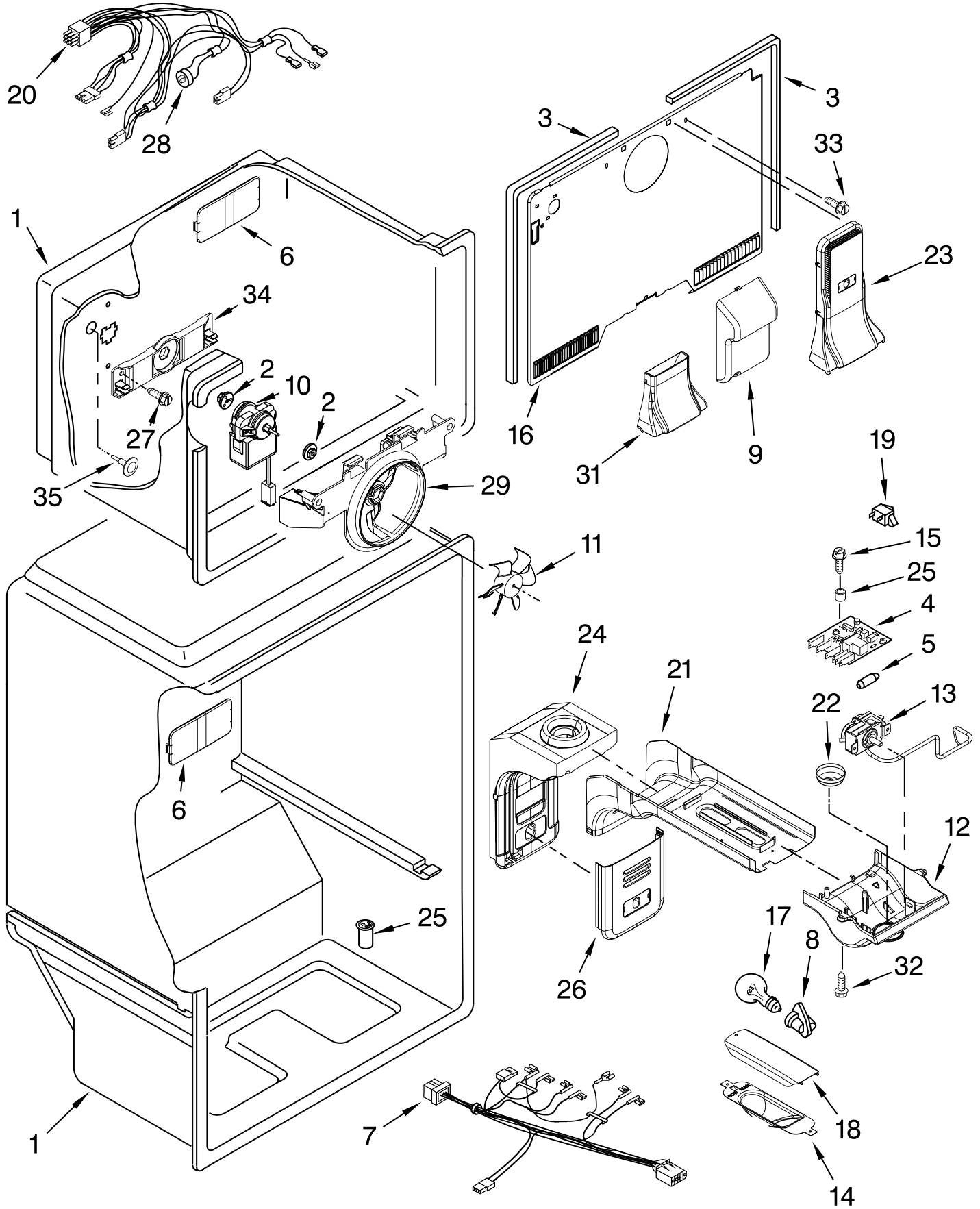
DO-IT-YOURSELF REPAIR MANUALS

677969 Do-It-Yourself Manual Ref./Fzr.

- 2 W10300065 Hinge (Top)
- 3 2166108 Roller, Front (2)
- 4 Endcap, Grille
- W10339257 White
- W10353930 Black
- W10353932 Midnight Grey
- 5 W10384414 Cover, Unit

LINER PARTS

For Models: WRT351SFYW00, WRT351SFYB00, WRT351SFYF00, WRT351SFYM00
 (White) (Black) (Stainless Steel) Sparkle



FOR ORDERING INFORMATION REFER TO PARTS PRICE LIST

LINER PARTS

For Models: WRT351SFYW00, WRT351SFYB00, WRT351SFYF00, WRT351SFYM00
 (White) (Black) (Stainless Steel) Sparkle)

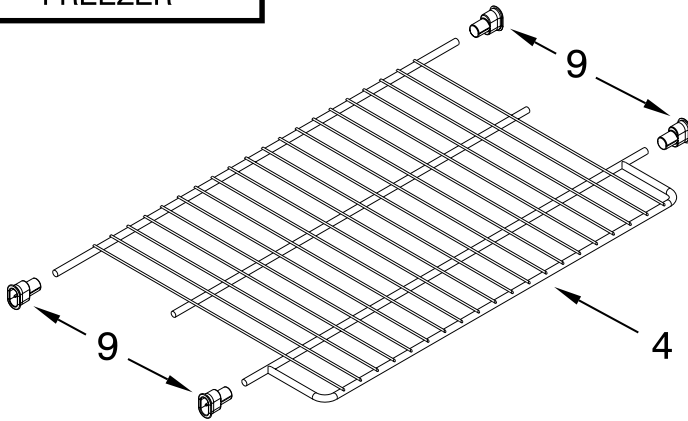
| Illus. No. | Part No. | DESCRIPTION |
|------------|-----------|---|
| 1 | | Liner (Not A Serviceable Part) |
| 2 | 2197380 | Grommet (2) |
| 3 | 2254360 | Gasket, Evaporator Cover (2) |
| 4 | W10352689 | Electronic Control |
| 5 | W10381575 | Thermostat Tube Barrier |
| 6 | W10336009 | Screw Cup |
| 7 | W10318068 | Wire Assembly, Control Box |
| 8 | 2162085 | Socket, Light |
| 9 | W10339203 | Water Tube Cover |
| 10 | 2315539 | Fan Motor |
| 11 | 2200509 | Fan Blade |
| 12 | W10316941 | Control Box |
| 13 | W10343913 | Thermostat Assembly (Includes #5) |
| 14 | W10300161 | Shield, Light |
| 15 | 488208 | Screw |
| 16 | W10305173 | Cover, Evaporator |
| 17 | W10311528 | Light Bulb (2) |
| 18 | W10348614 | Cover, Light |
| 19 | 1118894 | Rocker Arm Switch |
| 20 | W10339627 | Wire Assembly, Frzr. Compartment (Includes Illus. 28) |
| 21 | W10305175 | Cover, Air Diffuser |
| 22 | W10356940 | Knob, Thermostat |
| 23 | W10305174 | Air Tower |
| 24 | W10376137 | Air Diffuser, Bottom Assembly |
| 25 | 2210509 | Valve |
| 26 | W10310927 | Air Diffuser Cup |
| 27 | 488208 | Screw |
| 28 | W10392132 | Defrost, BI-Metal |
| 29 | W10321162 | Bracket, Fan Motor |
| 31 | W10396926 | Tower Conn Assy |
| 32 | 489442 | Screw |
| 33 | 489478 | Screw |
| 34 | 2254454 | Bracket |
| 35 | 941839 | Evap. Fan, Rear Hole Plug (Icemaker) |

FOR ORDERING INFORMATION REFER TO PARTS PRICE LIST

SHELF PARTS

For Models: WRT351SFYW00, WRT351SFYB00, WRT351SFYF00, WRT351SFYM00
 (White) (Black) (Stainless Steel) Sparkle)

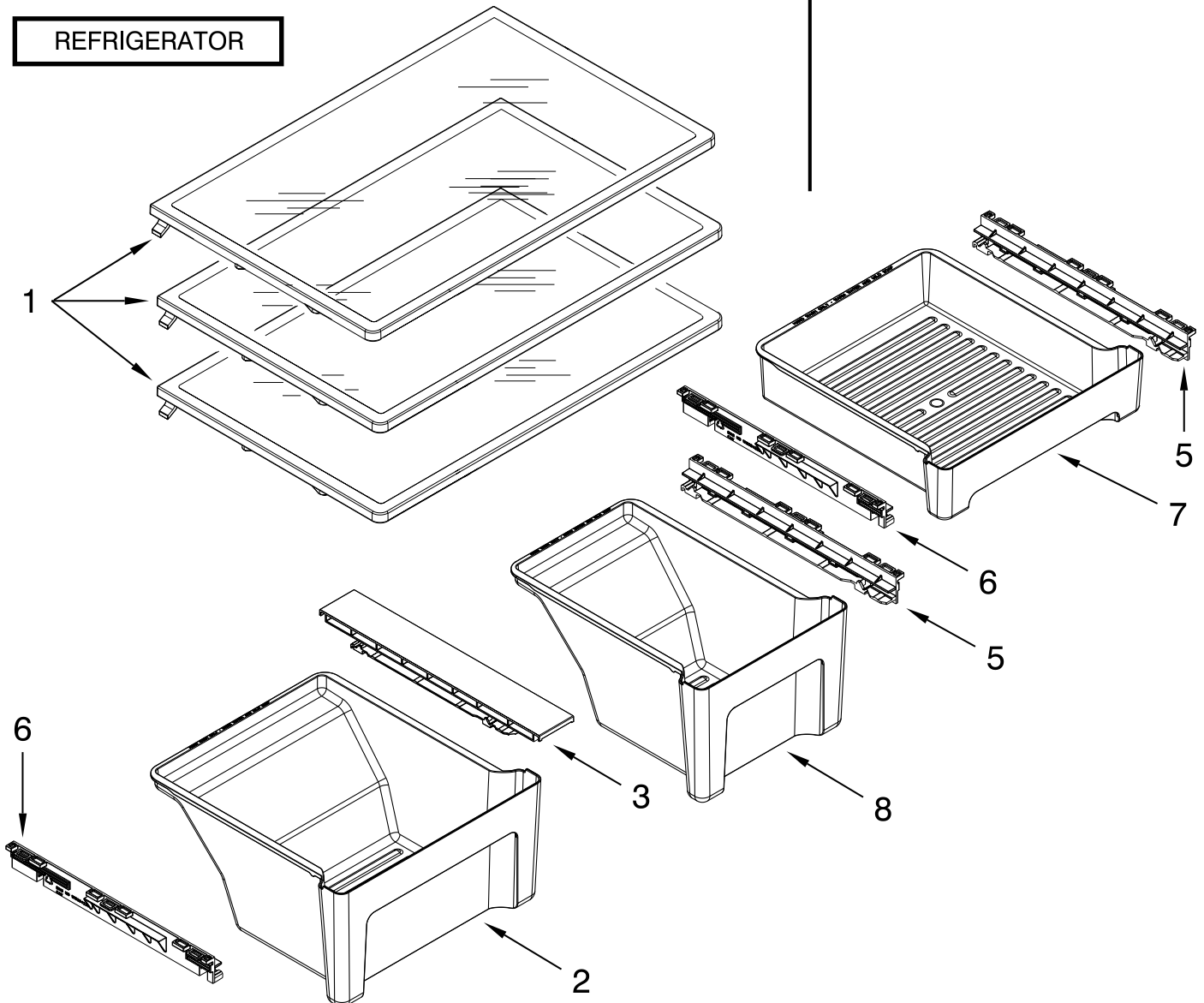
FREEZER



| Illus. No. | Part No. | DESCRIPTION |
|------------|----------|-------------|
|------------|----------|-------------|

- | | | |
|---|-----------|-------------------|
| 1 | W10486289 | Shelf, Glass |
| 2 | W10308861 | Pan, Crisper |
| 3 | W10404446 | Track Rail Center |
| 4 | W10384386 | Shelf, Wire FC |
| 5 | W10404450 | Track Rail RH |
| 6 | W10404449 | Track Rail LH |
| 7 | W10308849 | Pan, Meat |
| 8 | W10373943 | Pan Crisper 12" |
| 9 | W10130299 | Shelf Cup FC |

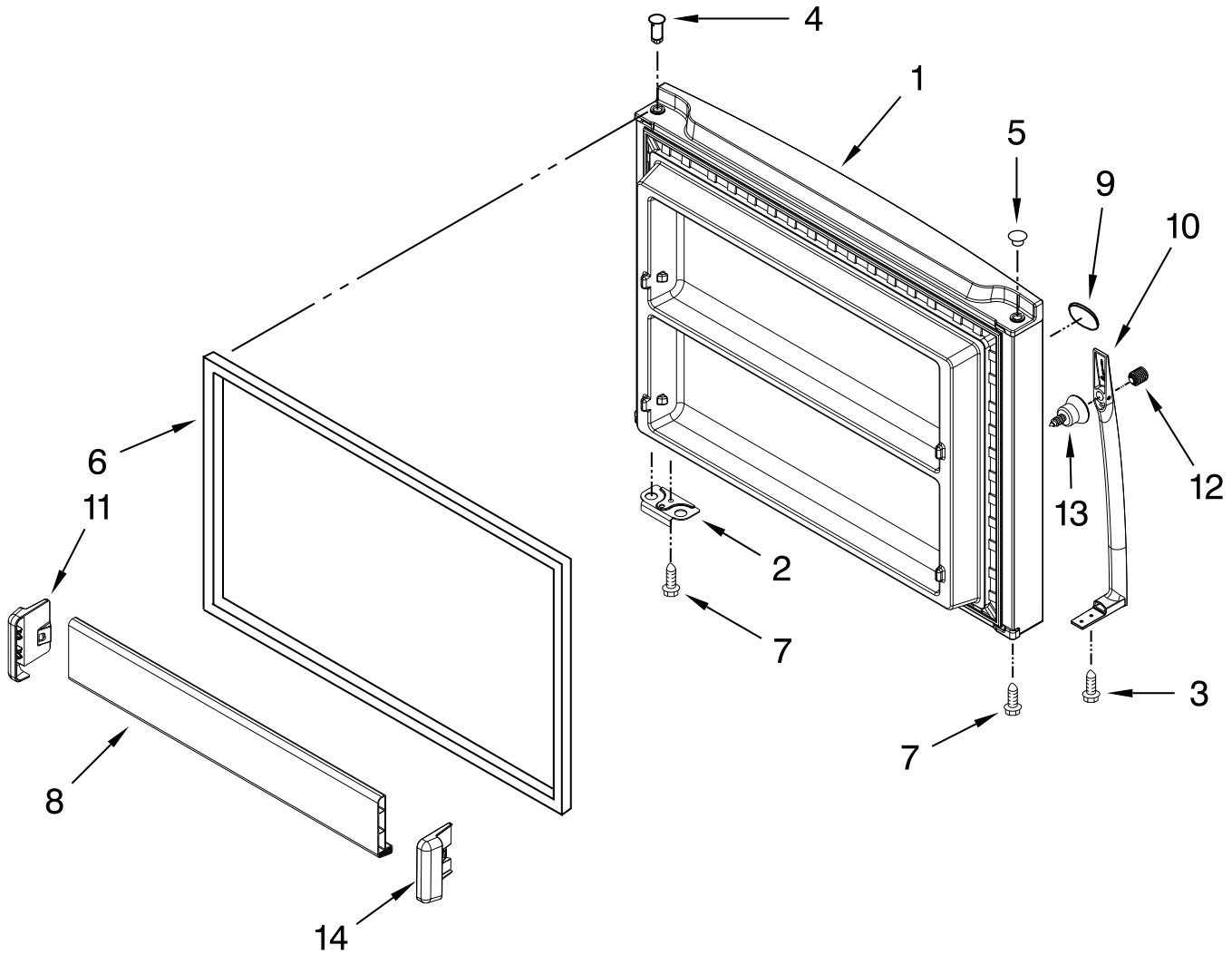
REFRIGERATOR



FOR ORDERING INFORMATION REFER TO PARTS PRICE LIST

FREEZER DOOR PARTS

For Models: WRT351SFYW00, WRT351SFYB00, WRT351SFYF00, WRT351SFYM00
 (White) (Black) (Stainless Steel) Sparkle)



| Illus. No. | Part No. | DESCRIPTION |
|------------|-----------|--------------------------------------|
| 1 | | Freezer Door (Includes Illus. 4 & 6) |
| | W10406259 | White |
| | W10406261 | Black |
| | W10406263 | Stainless Steel |
| | W10406262 | Sparkle |
| 2 | 2189202 | Bracket, Door Stop |
| 3 | 489357 | Screw |
| 4 | W10334042 | Thimble |

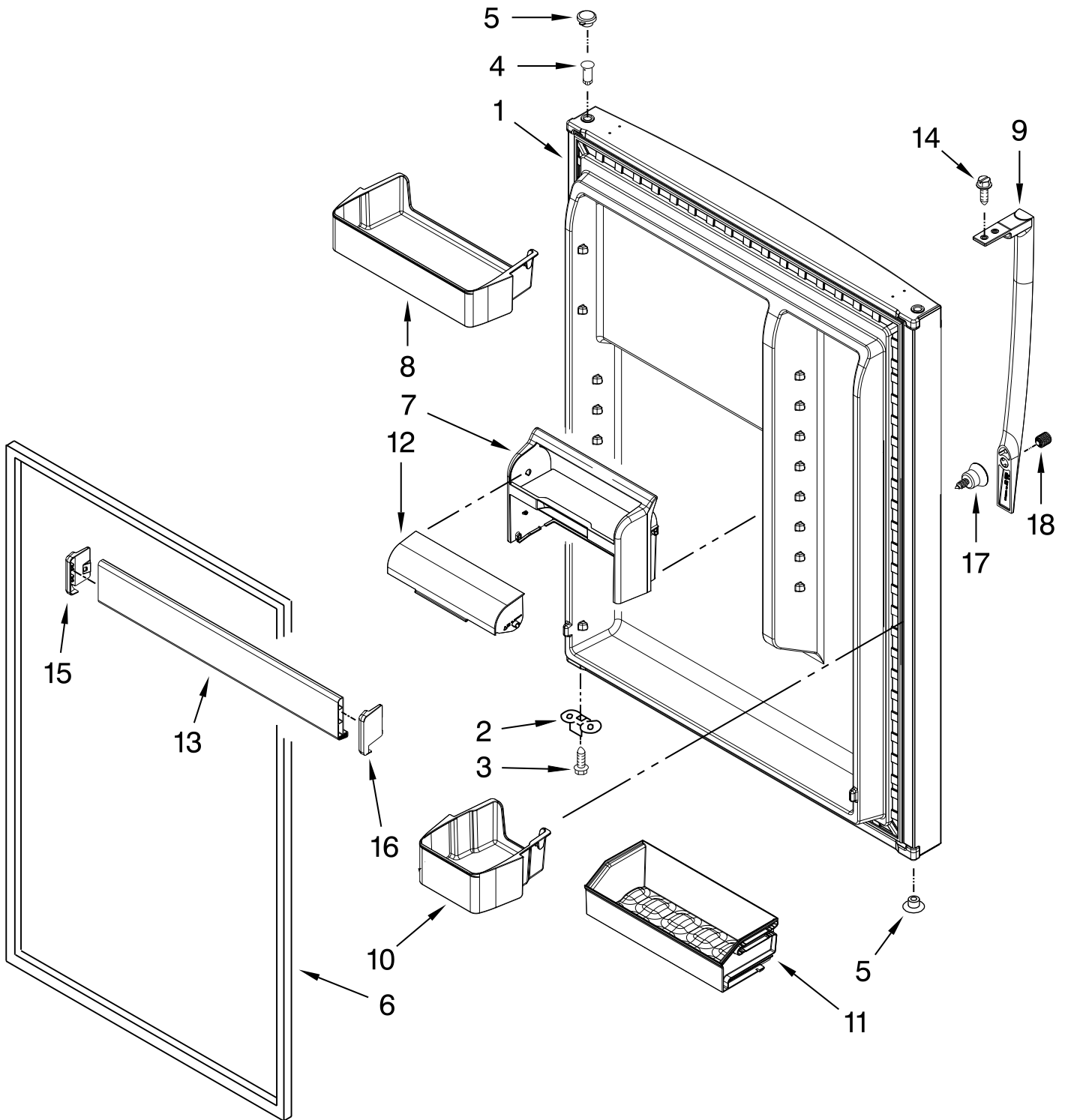
| Illus. No. | Part No. | DESCRIPTION |
|------------|-----------|-------------------------|
| 5 | | Hole Plug, Hinge Sleeve |
| | 2212648 | White |
| | 2212651 | Black |
| | 2254517 | Grey |
| 6 | | Door Gasket, Magnetic |
| | 2214967 | Mist Beige |
| | 2214969 | Black |
| | W10171479 | Grey |
| 7 | 489276 | Screw |

| Illus. No. | Part No. | DESCRIPTION |
|------------|-----------|----------------------|
| 8 | W10308875 | Trim, Door Shelf (2) |
| 9 | | Nameplate |
| | W10481434 | White |
| | W10481433 | Shadow Grey |
| 10 | | Handle |
| | W10498429 | White |
| | W10498430 | Black |
| | W10498431 | Titanium Sparkle |
| 11 | W10338485 | EndCap Trim LS |
| 12 | 690046 | Set Screw |
| 13 | W10170540 | Screw |
| 14 | W10308871 | Endcap Trim RS |

FOR ORDERING INFORMATION REFER TO PARTS PRICE LIST

REFRIGERATOR DOOR PARTS

For Models: WRT351SFYW00, WRT351SFYB00, WRT351SFYF00, WRT351SFYM00
(White) (Black) (Stainless Steel) Sparkle



FOR ORDERING INFORMATION REFER TO PARTS PRICE LIST

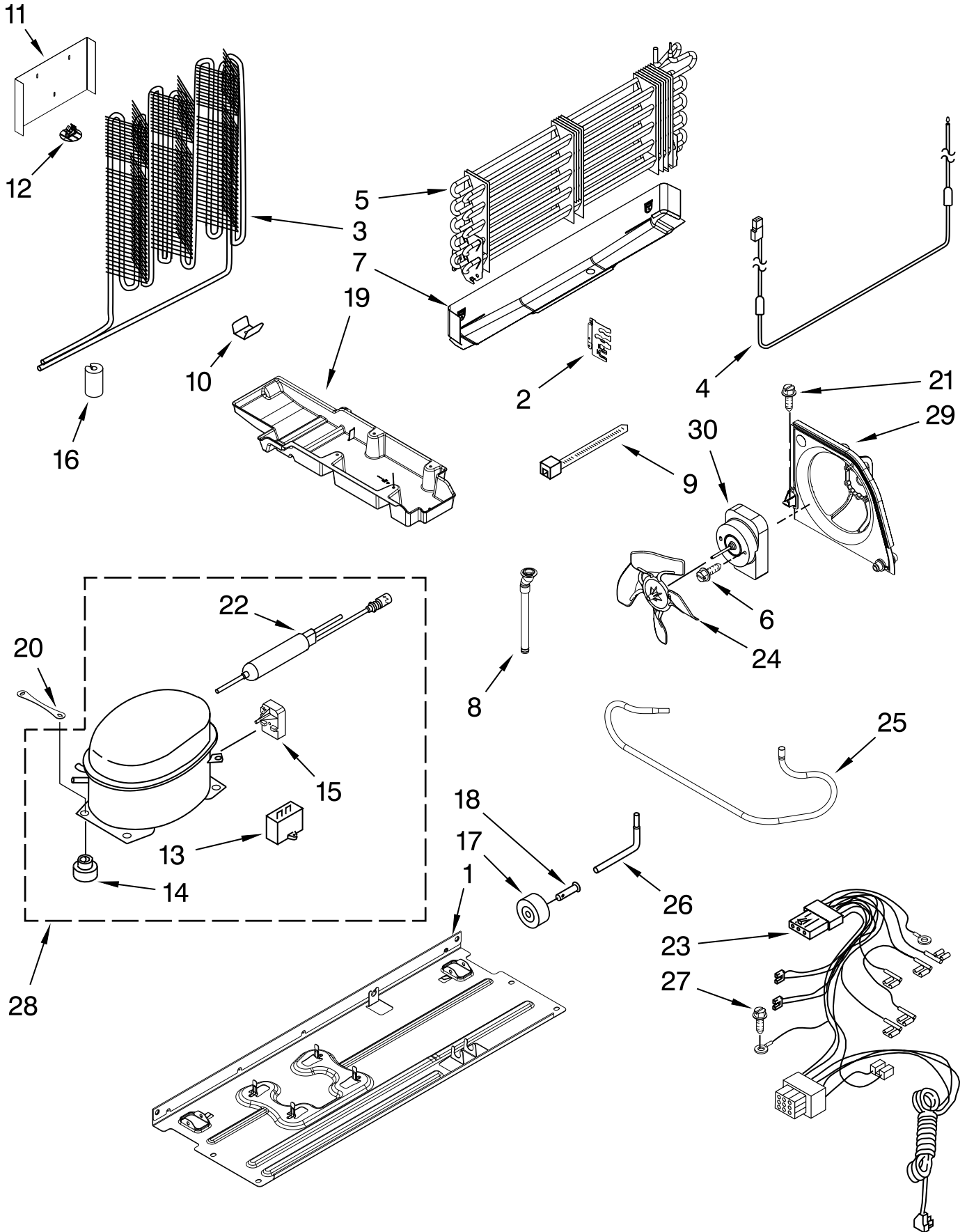
REFRIGERATOR DOOR PARTS

For Models: WRT351SFYW00, WRT351SFYB00, WRT351SFYF00, WRT351SFYM00
 (White) (Black) (Stainless Steel) Sparkle)

| Illus. No. | Part No. | DESCRIPTION |
|------------|-----------|---|
| 1 | | Refrigerator Door (Includes Illus. 4 & 6) |
| | W10406239 | White |
| | W10406240 | Black |
| | W10406244 | Stainless Steel |
| | W10406242 | Sparkle |
| 2 | 2189202 | Bracket, Door Stop |
| 3 | 489276 | Screw, 8 x 1/2 |
| 4 | W10334042 | Thimble |
| 5 | | Hole Plug, Hinge Sleeve |
| | 2212648 | White |
| | 2212651 | Black |
| | 2254517 | Grey |
| 6 | | Door Gasket, Magnetic |
| | 2202875 | Mist Beige |
| | 2202882 | Black |
| | W10171475 | Grey |
| 7 | W10308809 | Utility Compartment |
| 8 | W10308868 | Bin Long |
| 9 | | Handle |
| | W10498429 | White |
| | W10498430 | Black |
| | W10498431 | Titanium Sparkle |
| 10 | W10308869 | Bin Med |
| 11 | W10308845 | Can Caddy |
| 12 | W10308843 | Utility Flip Lid |
| 13 | W10308874 | Trim, Door Shelf |
| 14 | 489357 | Screw |
| 15 | W10338485 | Endcap Trim LS |
| 16 | W10308871 | Endcap Trim RS |
| 17 | W10170540 | Screw |
| 18 | 690046 | Set Screw |

UNIT PARTS

For Models: WRT351SFYW00, WRT351SFYB00, WRT351SFYF00, WRT351SFYM00
(White) (Black) (Stainless Steel) Sparkle



FOR ORDERING INFORMATION REFER TO PARTS PRICE LIST

UNIT PARTS

For Models: WRT351SFYW00, WRT351SFYB00, WRT351SFYF00, WRT351SFYM00
(White) (Black) (Stainless Steel) Sparkle)

| Illus. No. | Part No. | DESCRIPTION | Illus. No. | Part No. | DESCRIPTION | Illus. No. | Part No. | DESCRIPTION |
|------------|-----------|-------------------------|------------|-----------|---|---|----------|-----------------------|
| 1 | W10300118 | Plate, Unit Mounting | 15 | | Start-Device Combination (Start Relay and Overload) | Following Parts Not Illustrated and Optional Parts Not Included | | |
| 2 | W10314197 | Bracket, Evap | | | | | | |
| 3 | W10342567 | Condenser | | W10194431 | Production | 978025 | | Valve, Access (1/4") |
| 4 | W10316428 | Heater, Defrost | | W10194431 | Service | 978026 | | Valve, Access (5/16") |
| 5 | W10314205 | Evaporator Assy. | 16 | 2319835 | Condenser Grommet | 978027 | | Valve, Access (3/8") |
| 6 | 8533961 | Screw | 17 | 2150304 | Roller | 978028 | | Valve, Access (1/2") |
| 7 | W10314195 | Shield, Heat | 18 | 2179826 | Rivet | 978029 | | Valve, Access (5/8") |
| 8 | W10316650 | Drain Valve | 19 | W10466213 | Drain Tray | 978030 | | Valve, Access (3/4") |
| 9 | 2263990 | Strap | 20 | W10236396 | Strap, Compressor | 876764 | | Valve, Access (3/16") |
| 10 | W10248621 | Clip, Condenser | 21 | 3400518 | Screw | REFRIGERANT CHARGE | | |
| 11 | W10349515 | Cover, Condenser Bottom | 22 | | Drier | | | |
| 12 | W10296661 | Clip, Cover | | W10177049 | Production | | | |
| 13 | | Capacitor | | W10143759 | Service | | | |
| | 2264017 | Production | 23 | W10410814 | Wire Assembly Unit | | | |
| | 2264017 | Service | 24 | W10139483 | Fan Blade | | | |
| 14 | | Grommet | 25 | W10466683 | Tube, Suction | | | |
| | 10835903 | Production | 26 | 2212848 | Tube, Process | | | |
| | 1100826 | Service | 27 | 488500 | Screw | | | |
| | | | 28 | W10164016 | Compressor (Includes Items 13, 14, 15 & 22) | | | |
| | | | 29 | 2315541 | Air Baffle | | | |
| | | | 30 | 2188874 | Motor, Condenser | | | |

FOR ORDERING INFORMATION REFER TO PARTS PRICE LIST

OPTIONAL PARTS

For Models: WRT351SFYW00, WRT351SFYB00, WRT351SFYF00, WRT351SFYM00
(White) (Black) (Stainless Steel) Sparkle)

| Illus. No. | Part No. | DESCRIPTION |
|---|-----------|---|
| Parts Not Illustrated and Optional Parts (Not Included) | | |
| | 978941 | Insulation, Fiberglass (63-1/2" x 35-1/2" x 2-5/8") |
| | 212643 | Sealer, Gum (4 Feet) |
| | 479502 | Tape, Vinyl (3/4" x 108") |
| | W10395148 | Kit, Door Reversal |
| | 876305 | Kit, Insulation (14 Pcs. 3" x 24" x 48") |
| | 876370 | Kit, Insulation (2 Pcs. 3" x 24" x 48") |
| | 876029 | Kit, Foam Slab (30" x 32-1/2" x 1-1/2") |
| | 505587 | Sealer, Mastic (1 Qt.) |
| | 511873 | Touch-Up, White Porcelain (2 Oz.) |
| | 542638 | Grease, Silicone (1/2 Oz.) |
| | 542639 | Cement, Aluimilastic (1-1/4 Oz.) |
| | 606755 | Bag, Insulation (36-5/8" x 46") |
| | 503695 | Cork Sealer (1/4 Pound) |

| Illus. No. | Part No. | DESCRIPTION |
|-----------------------------------|----------|---|
| Customer Touch-Up Material | | |
| | *350942 | Primer, White (12 Oz. Spray Can) |
| | *350939 | Enamel, Black (12 Oz. Spray Can) |
| | *350930 | Enamel, White (12 Oz. Spray Can) |
| | *4392901 | Enamel, Biscuit (12 Oz. Spray Can) |
| | 72017 | Brush Touch-Up Kit (White) |
| | 72032 | Brush Touch-Up Kit (Black) |
| | 4392899 | Brush Touch-Up Kit (Biscuit) |
| Refinishing Material | | |
| | 799344 | Enamel, White (1 Qt. Uncut) |
| | 4392900 | Enamel, Biscuit (1 Qt. Uncut) |
| | 833938 | Kit, Terminal Connector |
| | * | Important: The spray paint is not to be used where the paint may make contact with the door gaskets. |

| Illus. No. | Part No. | DESCRIPTION |
|------------------------------------|----------|-------------|
| ICE MAKER FIELD INSTALLABLE | | |
| | 2155469 | ECKMF94 |
| TORX SCREW WRENCH | | |
| | 1117510 | Torx Key |

Free Manuals Download Website

<http://myh66.com>

<http://usermanuals.us>

<http://www.somanuals.com>

<http://www.4manuals.cc>

<http://www.manual-lib.com>

<http://www.404manual.com>

<http://www.luxmanual.com>

<http://aubethermostatmanual.com>

Golf course search by state

<http://golfingnear.com>

Email search by domain

<http://emailbydomain.com>

Auto manuals search

<http://auto.somanuals.com>

TV manuals search

<http://tv.somanuals.com>