

# Service Manual

Washing machine

Frontloader

AWM 243

Model Version		Page
	AWM 243	
	8570 243 42001	
	Technical data	2 - 3
	Spare part list	4 - 5
	Exploded view	6 - 7
	Wiring diagram	8
	Circuit diagram	9
	Program diagram	10
	Family	1A

This documentation is only intended for qualified technicians who are aware of the respective safety regulations.

Date: 23.07.1999

Document-No.: 4812 712 14543

Subject to modification

## Technical data

### Dimensions

Height	85	cm
Width	59.5	cm
Depth	51	cm

### Weight

Without packing	72	kg
-----------------	----	----

### Main connection

Voltage	230	V
Frequency	50	Hz
Power consumption	2.3	kW
Fuse rating	10	A

### Drum

Volume	42	l
Wash spin	54	rpm
Speed spinning max.	500	rpm

### Capacity of dry laundry

Cotton/ coloured laundry	4.5	kg
Cotton rapid	2.5	kg
Easy care	2	kg
Delicate	1.5	kg
Wool	1	kg

### Pressostat

#### Quantity of water washing

Cotton/ coloured laundry	6	l
Easy care	6	l
Delicate/ Wool	16.5	l
Overflow	30	l

#### Quantity of water rinse

Cotton/ coloured laundry	16	l
Easy care	16	l
Delicate/ Wool	16	l
Overflow	30	l

### Nominal current

#### Contacts:

11 - 12	4 (4)	A
11 - 14	16 (4)	A
11 - 16	1 (1)	A

#### Contactsystem:

11-12-14	jump contacts
11 - 16	slow action contacts

### Door lock

Lock time	3" - 6"	(20°C)
Unlock time	60" - 90"	
Nominal voltage	230	V
Nominal current contact	4 - 5	16 (4) A

### Heating element

Kind of heating	Tubular heating element withfuses	
Nominal voltage	230	V
Nominal power	2050	W
Heat conductor resistance	24.1	Ω

### Inlet valve

Water temperature	60	°C
Rated flow < 1 bar	8	l/min
Pressure range	0.5 - 10	bar
Nominal voltage	220 - 240	V
Frequency	50	Hz
Starting voltage < 6 bar	160	V
6-10 bar	170	V
Nominal current	35	mA
Nominal power	6	VA
Nominal resistor( 20°C )	4060	Ω

### Drain pump (synchronous)

Nominal voltage	230	V
Nominal current	0.3	A
Nominal consumption	34	W
Frequency	50	Hz
Resistor (coil)	155 ± 7%	Ω
Motor protection	no	
Capacity (1.25m height)	14 ± 2	l/min

## Technical data

### Program timer

Type	Electromechanical timer with time system		
Fab.	EC 4522 (Timer 1a)		
Nominal voltage	230	V	
Frequency	50	Hz	
Total positions	60		

### Cotton/coloured laundry

Pre wash	pos.	01 - 05	
Main wash	pos.	06 - 19	
Rinse	pos.	20 - 32	
Spin	pos.	33 - 36	
Stop	pos.	37	

### Easy care

Pre wash	pos.	01 - 05	
Main wash	pos.	06 - 19	
Rinse	pos.	20 - 32	
Spin	pos.	33 - 36	
Stop	pos.	37	

### Delicate

Pre wash	pos.	-	
Main wash	pos.	38 - 46	
Rinse	pos.	47 - 55	
Spin	pos.	56 - 59	
Stop	pos.	60	

### Wool

Pre wash	pos.	-	
Main wash	pos.	40 - 46	
Rinse	pos.	47 - 55	
Spin	pos.	56 - 59	
Stop	pos.	60	

### Output

motor		
- reversing	A2-D12/C12	230 V
- spin	A2-D11	230 V
pump	A4-B2	230 V
doorlock	A8-B12	230 V
pressostat	A4-B3	230 V
- empty	A4-B4	230 V
- full	A4-C3	230 V
valve	B2-B8	>170 V

### Motor

Type	2/16 - 158/ Wh	
	i = 1 : 6.5	

#### Resistance contacts:

1 - 2	80	± 7% Ω
1 - 3	41	± 7% Ω
1 - 4	80	± 7% Ω
1 - 5	17.5	± 7% Ω
2 - 4	94	± 7% Ω

### Radio interference supression

Type	KPB 7325	
Nominal voltage	230	V
Nominal capacity	100nFX1+2x22nFY2	
Nominal resistance	1	MΩ

### Motor capacitor

Capacity	16	μ F
Nominal voltage	450	V

### Variable thermostat

Nominal voltage	230	V
Nominal current	16 (4)	A
Temperature range	28 - 80	°C

### Push button switch

Start stop	SM
Half load	SHL
Rinse stop	SRS

**Spare part list**

**Model** AWM 243  
**Service No.** 857024342001  
**Version** 857024342001

Pos. No.	12NC Code	Description	Pos. No.	12NC Code	Description
001 0	<b>4819 440 19716</b>	Cabinet	581 0	<b>4812 271 28381</b>	Pressostat EATON
003 0	<b>4812 464 48099</b>	Traverse	620 1	<b>4819 410 29005</b>	Switch Options N.C.
011 0	<b>4819 462 48472</b>	Foot	621 0	<b>4819 410 29004</b>	Switch ON/OFF
021 0	<b>4819 440 19715</b>	Front	630 0	<b>4812 280 58019</b>	Door lock
021 1	<b>4812 440 19343</b>	Flap	701 0	<b>4819 530 28848</b>	Hose, inlet
024 0	<b>4819 440 19892</b>	Panel, rear	701 1	<b>4819 466 69704</b>	Gasket and filter
024 1	<b>4819 418 79837</b>	Box hose	702 0	<b>4819 530 29019</b>	Hose intern
025 0	<b>4812 440 19346</b>	Holder Control Device	707 0	<b>4812 526 48031</b>	Nozzle Distribution
030 0	<b>4812 440 19531</b>	Cover plate	707 1	<b>4812 526 48028</b>	Nozzle
040 0	<b>4812 417 18787</b>	Hinge	708 1	<b>4812 530 48143</b>	Bend
053 0	<b>4819 440 19791</b>	Plinth	711 0	<b>4812 418 88026</b>	Dispenser WH-4CH
061 0	<b>4812 466 88458</b>	Counter weight upper	712 0	<b>4812 418 78047</b>	Drawer
061 1	<b>4812 466 88459</b>	Counter weight front	713 0	<b>4812 418 88028</b>	Flap Detergent Cont.
080 0	<b>4812 529 18038</b>	Shock absorber 800-1000	717 0	<b>4819 321 28092</b>	Bowden cable
084 0	<b>4812 466 58001</b>	Silent bloc	717 1	<b>4812 321 38013</b>	Lever , Nozzle
086 2	<b>4812 401 18412</b>	Stopper	717 2	<b>4812 321 38012</b>	Holder,adjust.
110 0	<b>4812 498 18139</b>	Handle,door white	717 3	<b>4812 278 88007</b>	Slide
130 0	<b>4812 417 28046</b>	Lock Door	717 5	<b>4819 528 38444</b>	Cam
130 1	<b>4812 417 28045</b>	Pin Door Lock	718 0	<b>4812 526 48032</b>	Siphon
131 0	<b>4812 417 28047</b>	Plate Door lock	718 1	<b>4812 418 88024</b>	Accessory
131 1	<b>4812 417 28048</b>	Plate Doorlock Lower	750 0	<b>4819 526 48474</b>	Container
141 0	<b>4812 450 68219</b>	Door glass	753 1	<b>4819 418 68234</b>	Chamber,air
143 0	<b>4812 440 19342</b>	Glassdoor frame	754 0	<b>4812 530 28826</b>	Drainhose
144 0	<b>4812 459 28043</b>	Frame,door glas	754 1	<b>4812 530 28832</b>	Lock eco
144 1	<b>4812 498 18137</b>	Knob Door safety	754 2	<b>4812 530 28829</b>	Flange eco
144 2	<b>4812 492 58023</b>	Spring Door Safety	760 0	<b>4812 480 58075</b>	Filter Set Pump
144 3	<b>4812 290 68153</b>	Holder,adjust. Door Safety	760 1	<b>4812 418 68138</b>	Gasket Sieve / Rough
190 0	<b>4812 460 68527</b>	Door bellow	781 0	<b>4819 530 29032</b>	Hose,draining
190 1	<b>4812 492 18017</b>	Strap	781 1	<b>4819 530 28977</b>	Pipe,exhaust
190 2	<b>4819 530 58059</b>	Ring	783 0	<b>4812 530 28827</b>	Hose Pressostat
200 1	<b>4819 418 18378</b>	Tub front	787 0	<b>4812 530 28813</b>	Hose
200 2	<b>4819 418 18381</b>	Tub non removable 400/500	794 5	<b>4812 530 58095</b>	Gasket Air trap
200 4	<b>4812 290 88054</b>	Clamp for tub WH	901 0	<b>4819 401 18868</b>	Clamp,hose
220 0	<b>4819 418 18329</b>	Drum	901 2	<b>4819 401 18872</b>	Clamp,hose
223 0	<b>4819 515 28267</b>	Agitator	901 3	<b>4812 401 18414</b>	Clamp,hose
271 0	<b>4812 358 18056</b>	V-ribbed belt WH 1250 J5	902 0	<b>4812 290 88049</b>	Bracket
272 0	<b>4819 528 88112</b>	Pulley	902 1	<b>4812 255 18204</b>	Holder Hose outlet
292 0	<b>4812 530 58101</b>	Gasket Tub	903 0	<b>4812 255 18205</b>	Holder Pressostat
301 0	<b>4819 453 19794</b>	Control panel	903 5	<b>4812 290 88048</b>	Cable clamp
303 0	<b>4819 498 78177</b>	Handle	903 7	<b>4819 401 18823</b>	Clamp
331 0	<b>4819 412 58532</b>	Knob,timer	903 9	<b>4812 290 88046</b>	Cable clamp
331 1	<b>4812 413 18198</b>	Adapter Button	910 1	<b>4812 505 18368</b>	Nut M10
332 0	<b>4812 410 28562</b>	Push button	911 7	<b>4812 903 08014</b>	Screw M5x12
335 0	<b>4819 412 58534</b>	Knob Thermostat	923 0	<b>4812 532 18024</b>	Washer
354 1	<b>4819 134 48501</b>	Pilot lamp	931 0	<b>4819 492 38139</b>	Spring Suspension
401 0	<b>4819 361 58182</b>	Motor	932 3	<b>4812 492 58022</b>	Spring Door Lock
420 0	<b>4819 121 18267</b>	Capacitor	932 5	<b>4812 492 38359</b>	Spring , Nozzle
421 0	<b>4819 121 18271</b>	Interf.filter	941 0	<b>4812 520 28002</b>	Bearing,ball 6203 2Z C3
430 0	<b>4812 360 18383</b>	Pump	941 1	<b>4819 520 18034</b>	Bearing 6202 2Z
451 0	<b>4819 259 28932</b>	Heating element	952 0	<b>4819 466 69882</b>	Gasket thermostat
490 0	<b>4819 321 18234</b>	Cable,mains	953 0	<b>4819 532 78223</b>	Ring
490 1	<b>4812 321 28367</b>	Strain relief	961 0	<b>4812 321 48004</b>	Cover
504 0	<b>4819 282 18743</b>	Timer	990 0	<b>4819 310 39227</b>	Mounting kit Weight top
554 0	<b>4819 282 48313</b>	Thermostat	990 1	<b>4819 310 39228</b>	Mounting kit Weight bottom
571 0	<b>4812 271 28375</b>	Valve,magnet Single	993 0	<b>4812 530 48017</b>	Bow

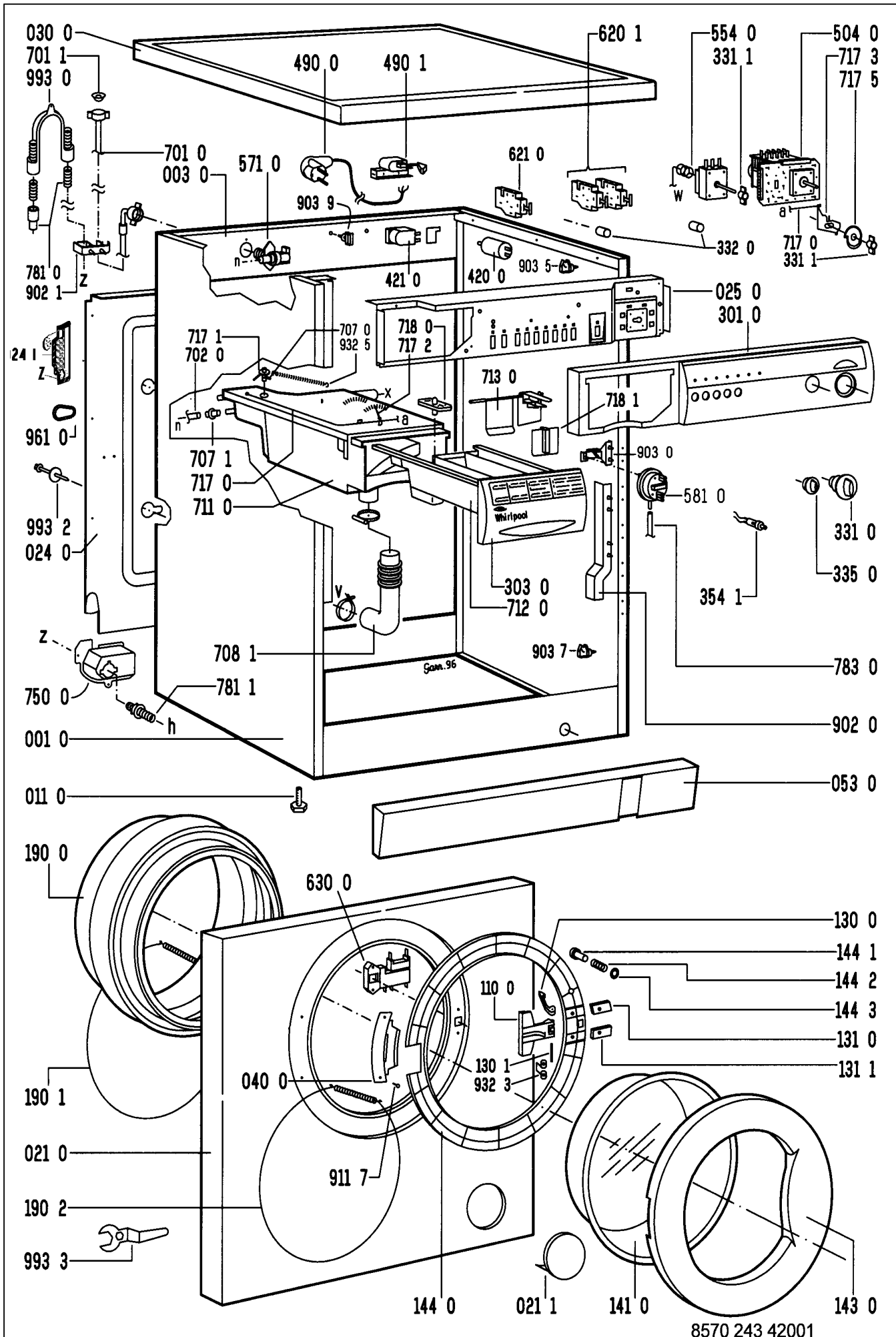
## Spare part list

Model	AWM 243
Service No.	857024342001
Version	857024342001

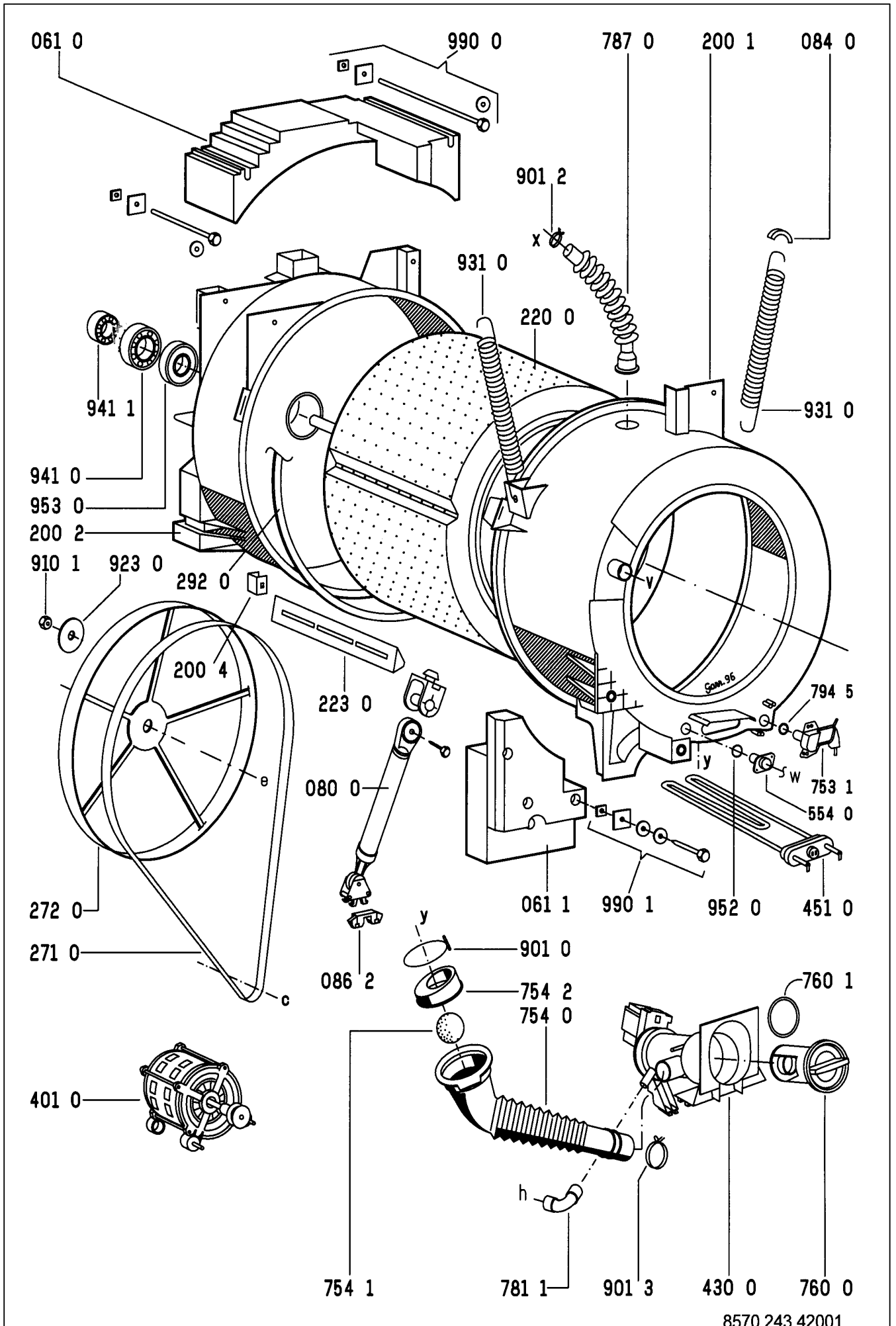
---

Pos. No.	12NC Code	Description
993 2	<b>4812 268 18015</b>	Lever,security
993 3	<b>4812 395 58004</b>	Tool

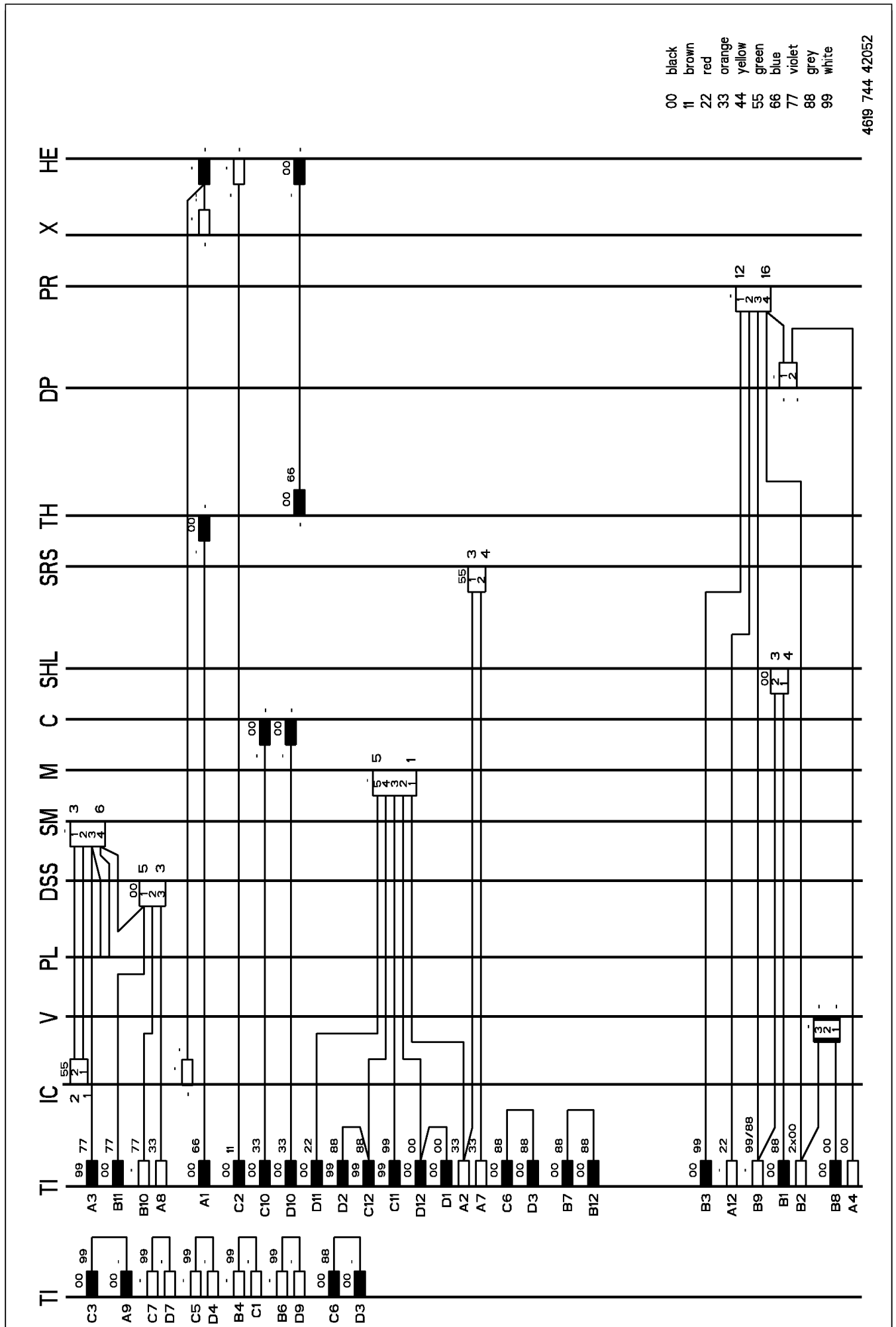
**Exploded view**



**Exploded view**

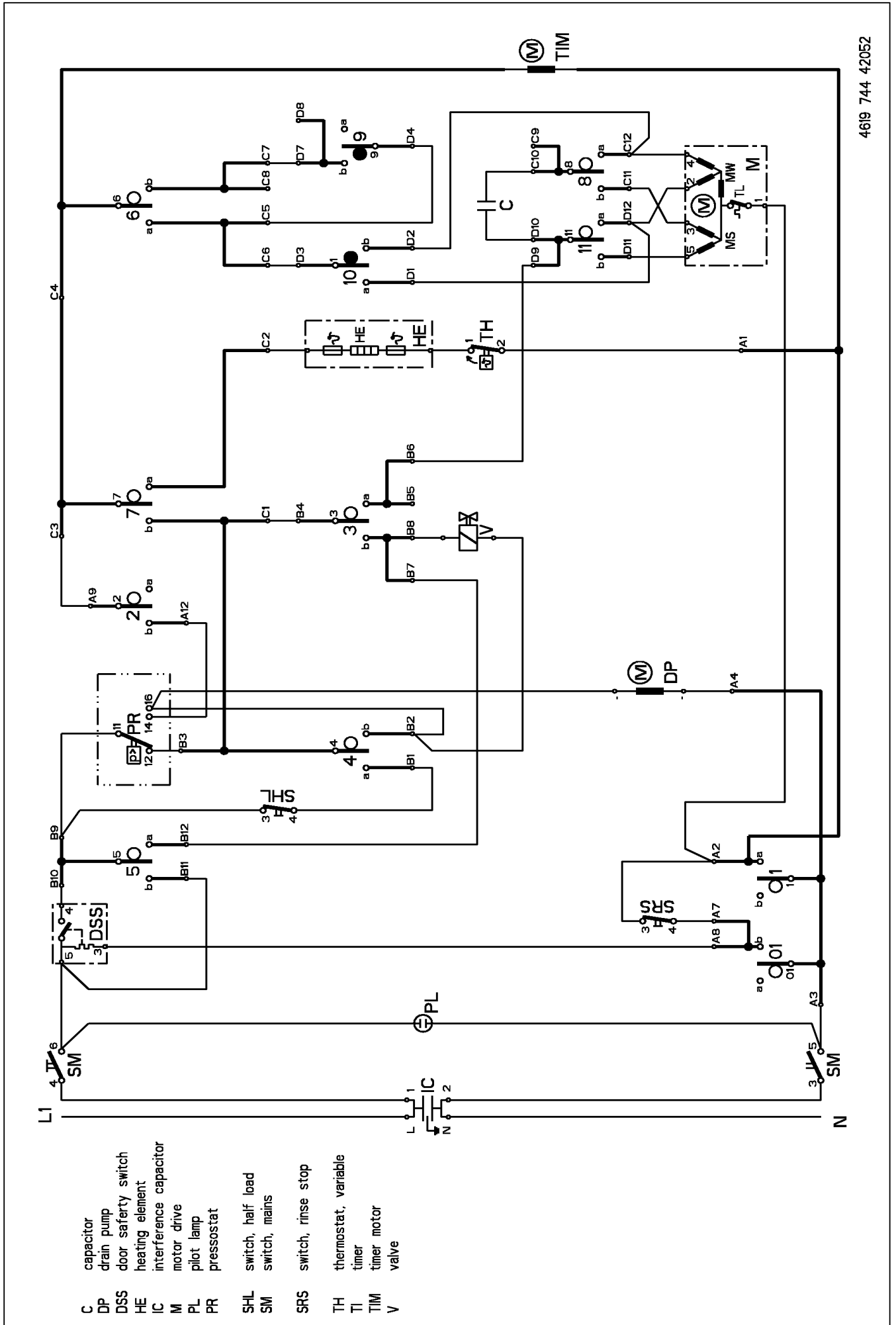


**Wiring diagram**





**Circuit diagram**



- C capacitor
- DP drain pump
- DSS door safety switch
- HE heating element
- IC interference capacitor
- M motor drive
- PL pilot lamp
- PR pressostat
- SHL switch, half load
- SM switch, mains
- SRS switch, rinse stop
- TH thermostat, variable
- TI timer
- TIM timer motor
- V valve

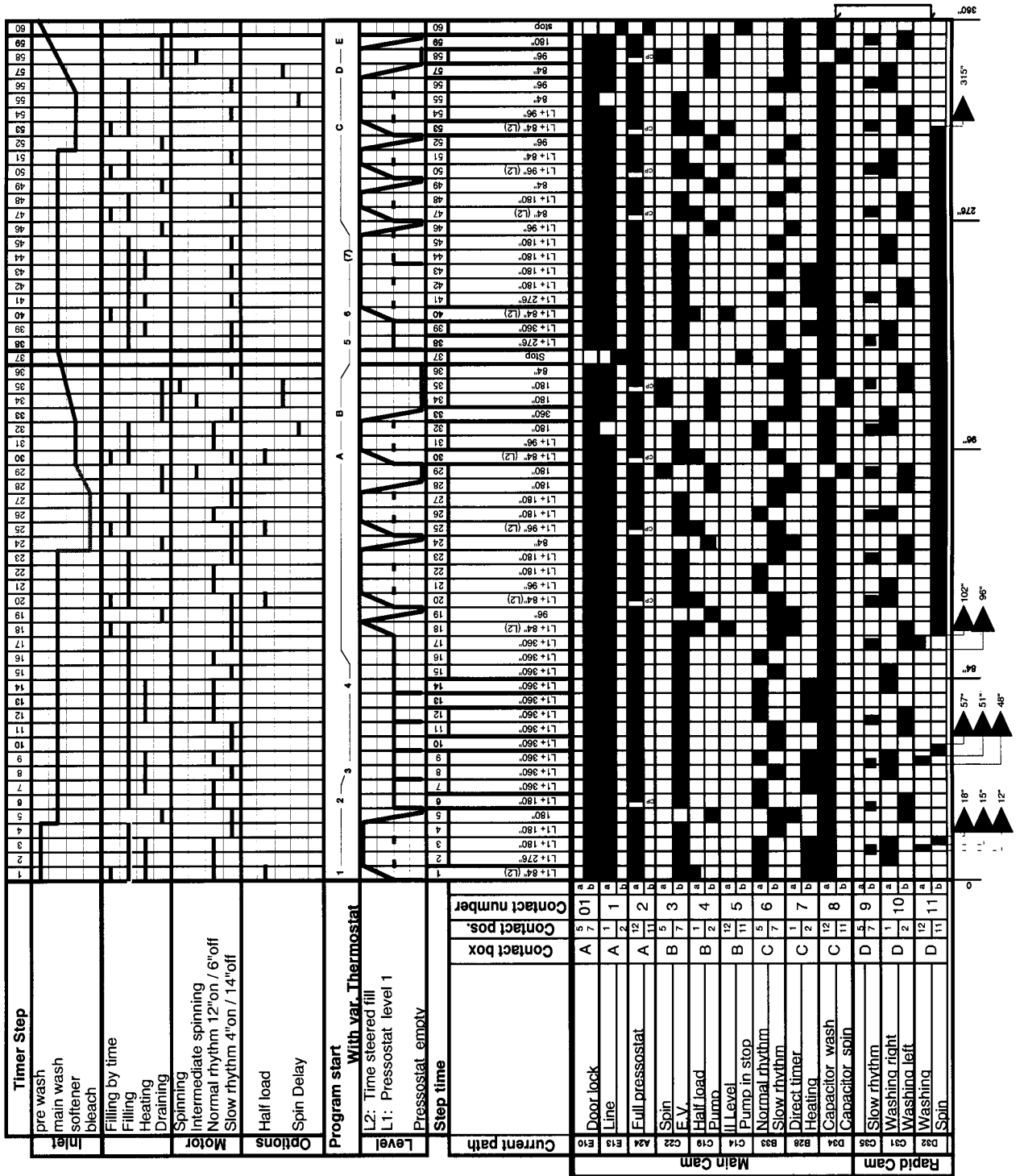
**Program diagram**

4619 744 60582

**With variable temperature**

- 1 Cotton with prewash (Cold - 40 - 60 - 95°C)
- 2 Cotton without prewash (Cold-40-60-95°C)
- 3 Easy Care (Cold - 40 - 60°C)
- 4 Cotton ( Cold - 40°C ) - SHORT
- A Rinse + Spin
- B Spin
- 5 Delicate 40°C
- 6 Wool 30°C
- C Rinse + Gentle Spin
- D Gentle Spin
- E Draining

**Whirlpool Program flow Timer 1a ( EC 4522/0 ) 240V- 50Hz.**



## Free Manuals Download Website

<http://myh66.com>

<http://usermanuals.us>

<http://www.somanuals.com>

<http://www.4manuals.cc>

<http://www.manual-lib.com>

<http://www.404manual.com>

<http://www.luxmanual.com>

<http://aubethermostatmanual.com>

Golf course search by state

<http://golfingnear.com>

Email search by domain

<http://emailbydomain.com>

Auto manuals search

<http://auto.somanuals.com>

TV manuals search

<http://tv.somanuals.com>