

Use & Care

G U I D E

Three speed automatic washers

A Note to You	2
Washer Safety	3
Parts and Features ...	4
Operating Your Washer	5
Caring for Your Washer	12
Troubleshooting	13
Requesting Assistance or Service	17
Index	19
Warranty	20



3366875

A NOTE TO YOU

Thank you for buying a WHIRLPOOL* appliance.

Because your life is getting busier and more complicated, WHIRLPOOL washers are easy to use, save time, and help you manage your home better. To ensure that you enjoy years of trouble-free operation, we developed this Use and Care Guide. It is full of valuable information about how to operate and maintain your appliance properly and safely. Please read it carefully.

Also, complete and mail the **Ownership Registration Card** provided with your appliance. The card helps us notify you about any new information on your appliance.

Please record your model's information.

Whenever you call to request service for your appliance, you need to know your complete model number and serial number. You can find this information on the model and serial number label (see the diagram on the "Parts and Features" page for the location of the label). Also, record the other information shown in the next column.

Model Number _____

Serial Number _____

Purchase Date _____

Dealer Name _____

Dealer Address _____

Dealer Phone _____

Keep this book and the sales slip together in a safe place for future reference.

WASHER SAFETY

Your safety and the safety of others is very important.

We have provided many important safety messages in this manual and on your appliance. Always read and obey all safety messages.



This is the safety alert symbol.

This symbol alerts you to hazards that can kill or hurt you and others.

All safety messages will be preceded by the safety alert symbol and the word "DANGER" or "WARNING." These words mean:

⚠ DANGER

You will be killed or seriously injured if you don't follow instructions.

⚠ WARNING

You can be killed or seriously injured if you don't follow instructions.

All safety messages will identify the hazard, tell you how to reduce the chance of injury, and tell you what can happen if the instructions are not followed.

IMPORTANT SAFETY INSTRUCTIONS

WARNING – To reduce the risk of fire, electric shock, or injury to persons when using the washer, follow basic precautions, including the following:

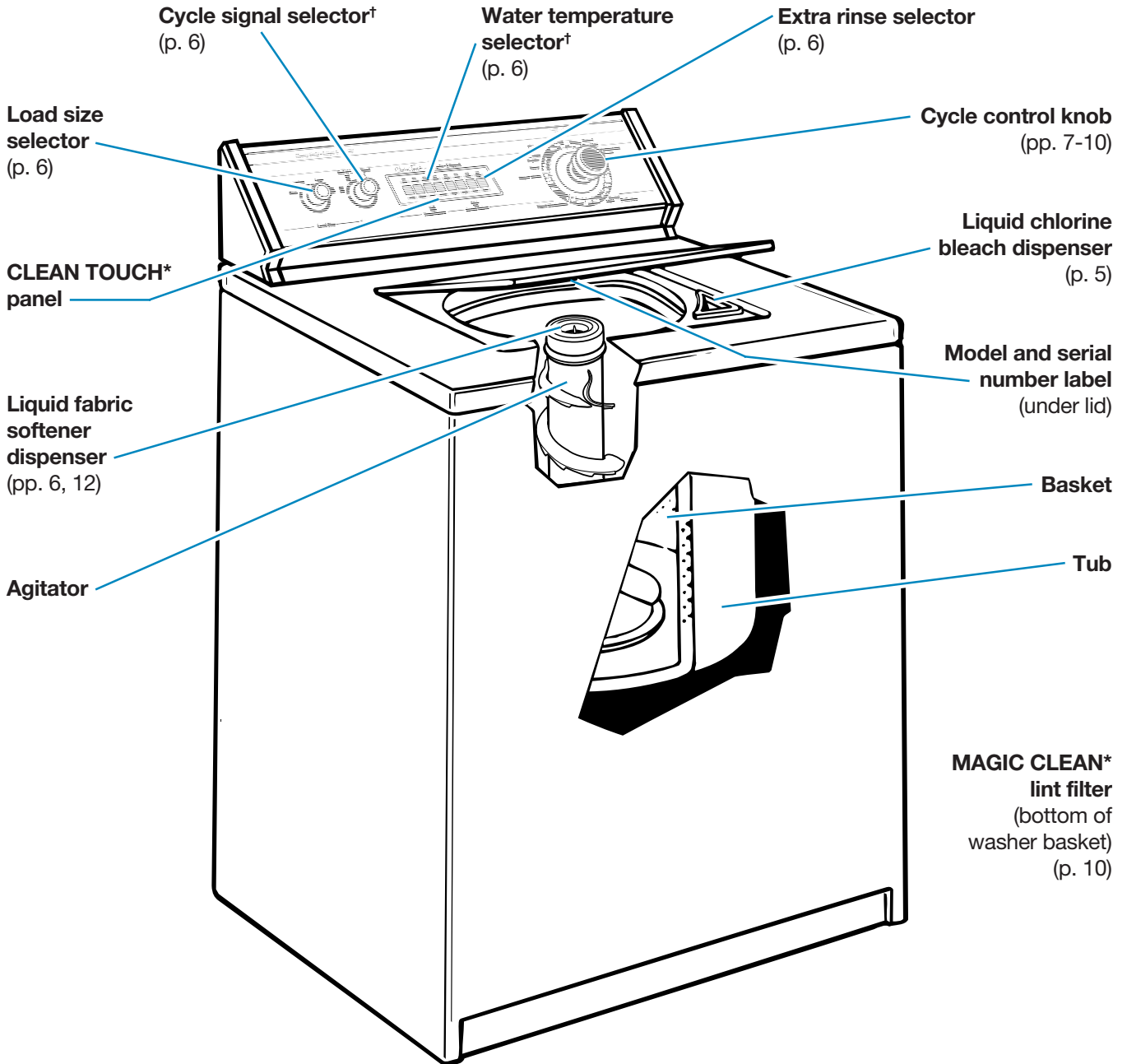
- Read all instructions before using the washer.
- Do not wash articles that have been previously cleaned in, washed in, soaked in, or spotted with gasoline, dry-cleaning solvents, other flammable, or explosive substances as they give off vapors that could ignite or explode.
- Do not add gasoline, dry-cleaning solvents, or other flammable, or explosive substances to the wash water. These substances give off vapors that could ignite or explode.
- Under certain conditions, hydrogen gas may be produced in a hot water system that has not been used for 2 weeks or more. **HYDROGEN GAS IS EXPLOSIVE.** If the hot water system has not been used for such a period, before using the washing machine, turn on all hot water faucets and let the water flow from each for several minutes. This will release any accumulated hydrogen gas. As the gas is flammable, do not smoke or use an open flame during this time.
- Do not allow children to play on or in the washer. Close supervision of children is necessary when the washer is used near children.
- Before the washer is removed from service or discarded, remove the door.
- Do not reach into the washer if the tub or agitator is moving.
- Do not install or store the washer where it will be exposed to the weather.
- Do not tamper with controls.
- Do not repair or replace any part of the washer or attempt any servicing unless specifically recommended in this Use and Care Guide or in published user-repair instructions that you understand and have the skills to carry out.
- See Installation Instructions for grounding requirements.

– SAVE THESE INSTRUCTIONS –

PARTS AND FEATURES

The parts and features of your washer are illustrated on this page. Become familiar with all parts and features before using your washer. Page references are included next to some features. Refer to those pages for more information about the features.

NOTE: The drawings in this book may vary from your washer model. They are designed to show the different features of all models covered by this book. Your model may not include all features.



† CLEAN TOUCH panel on some models;
other models have rotary knob.

OPERATING YOUR WASHER

To get the best washing results possible, you must use your washer correctly. This section tells you how to use your washer properly and efficiently.

USING YOUR WASHER

⚠ WARNING



Explosion Hazard

Never place items in the washer that are dampened with gasoline or other flammable fluids.

No washer can completely remove oil.

Do not dry anything that has ever had any type of oil on it (including cooking oils).

Doing so can result in death, explosion, or fire.

⚠ WARNING



Electrical Shock Hazard

Plug into a grounded 3 prong outlet.

Do not remove ground prong.

Do not use an adapter.

Do not use an extension cord.

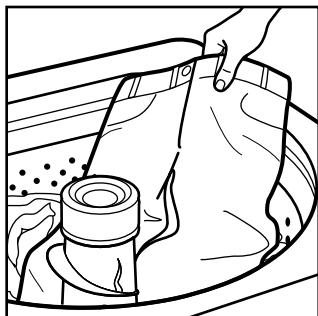
Failure to follow these instructions can result in death, fire, or electrical shock.

1. Measure detergent and pour it into the washer.



- If desired, you may also add powder or liquid color safe bleach.
- Add extra detergent for the Super Wash cycle.

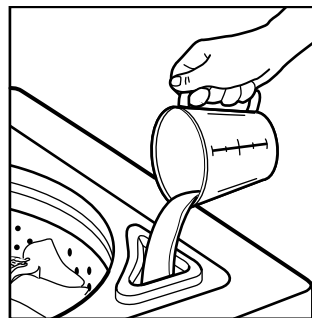
2. Drop a sorted load of clothes loosely into your washer, filling to the top row of holes.



- Load evenly to maintain washer balance. Mix large and small items.
- Items should move easily through the wash water. Overloading can cause poor cleaning.
- To reduce wrinkling

of permanent press clothes and some synthetic knits, use a large load size to provide more space (see step 6).

3. (OPTIONAL STEP) Pour measured liquid chlorine bleach into the liquid chlorine bleach dispenser.



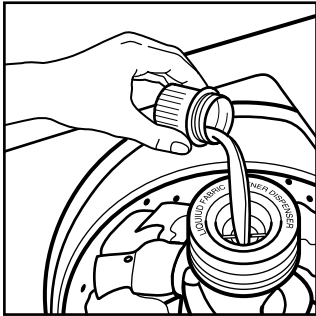
bleach into the liquid chlorine bleach dispenser. Bleach will be diluted automatically during the wash part of the cycle.

- Never use more than 1 cup (250 mL) for a full load. Use less with a smaller load size.
- Follow the manufacturer's directions for safe use.
- To avoid spilling, use a cup with a pouring spout. Do not let bleach splash, drip, or run down into the washer basket.
- Make sure you use only liquid chlorine bleach in this dispenser.

continued on next page

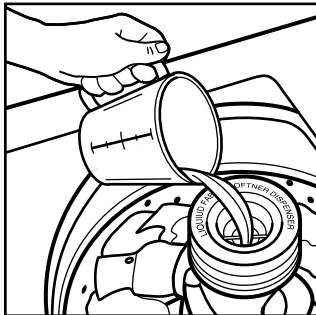
USING YOUR WASHER (CONT.)

- 4. (OPTIONAL STEP)** Pour measured **liquid fabric softener** into the fabric softener dispenser.



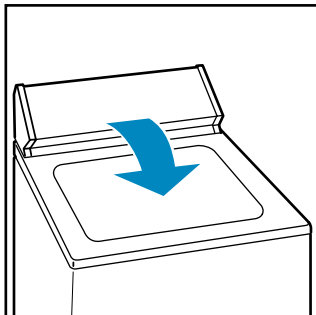
- Do not spill or drip any fabric softener on the clothes.
- Make sure you use only liquid fabric softener in this dispenser.

- Dilute liquid fabric softener by filling the dispenser with warm water until liquid reaches the crossbar in the opening.

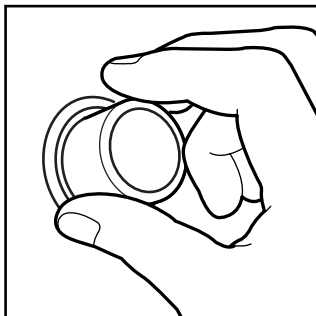


- Softener is added automatically during the rinse portion of the cycle.

- 5.** Close the washer lid.



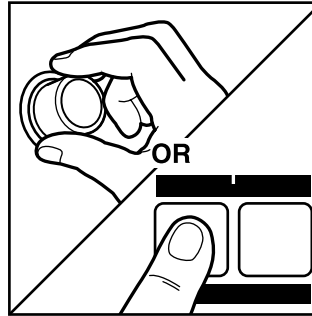
- 6.** Turn the Load Size selector to the correct setting for your wash load and the type of fabric being washed.



- Your washer has five load size settings.
- Choose a load size that allows the load to move freely for best fabric care. See the "Loading" section.
- Change the setting

after the washer has started filling by turning the selector to a different setting.

- 7.** Set the Water Temperature selector to the correct setting for the type of fabric and soils being washed.



- Use the warmest water safe for fabric.

- Follow garment label instructions.

HOT: 130°F (54°C) or above.

- Whites and pastels.
- Heavy and greasy soils.

WARM: 90 to 110°F (32 to 44°C).

- Bright colors.
- Moderate to light soils.

COLD: 70 to 90°F (21 to 32°C).

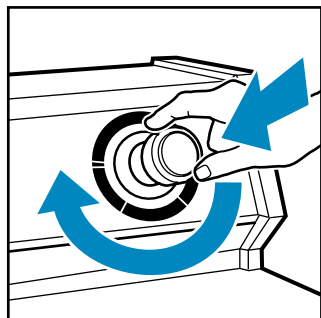
- Colors that bleed or fade.
- Light soils.

- 8. (OPTIONAL STEP)** For an additional rinse and spin at the end of a wash cycle, set the Extra Rinse selector to On.

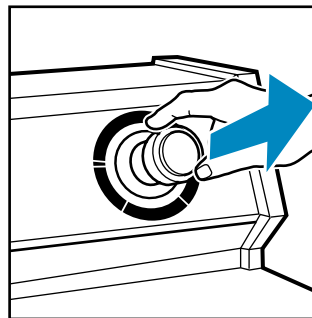
- 9. (OPTIONAL STEP)** Set the Cycle Signal selector to On if you want your washer to sound a signal when the wash cycle is finished. This signal is helpful when you are washing items that should be removed from the washer as soon as the cycle ends.

USING YOUR WASHER (CONT.)

- 10.** Push in the Cycle Control Knob and turn it clockwise to the wash cycle you want. See the “Cycle Descriptions” section.
- Reduce the wash time when using a small load size setting.



- 11.** Pull out the Cycle Control Knob to start the washer.



NOTE: To **stop** the washer at any time, push in the Cycle Control Knob. To **restart** the washer, close the lid (if open) and pull out the Cycle Control Knob.

LOADING

Loading suggestions

For these suggested full-sized loads, set the Load Size selector to the highest load size setting.

SUPER CAPACITY PLUS WASHERS

Heavy Work Clothes	Delicates	Towels	Mixed Load
3 pair pants	3 camisoles	10 bath towels	3 double sheets
3 shirts	1 quilted robe	10 hand towels	4 pillowcases
4 pair jeans	4 slips	14 wash cloths	8 T-shirts
1 coverall	4 panties	1 bath mat	6 pair shorts
1 overall	2 bras		2 shirts
	2 nighties		2 blouses
	1 baby's dress		8 handkerchiefs

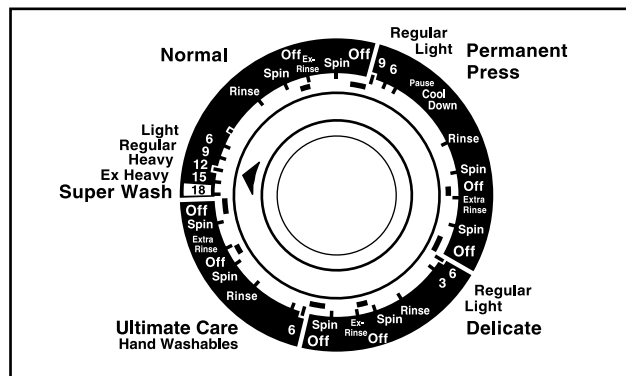
SELECTING A CYCLE AND TIME

This section describes the available wash cycles and will help you make the best cycle selections for your wash loads. Each cycle is designed for different types of fabric and soil levels.

- The washer pauses briefly throughout each cycle. These pauses are normal. Refer to “Understanding normal washer sounds” to learn more about the sounds you may hear during a wash cycle.
- Refer to “Understanding what happens in each cycle” to learn what happens during a wash cycle.

CYCLE DESCRIPTIONS

(Models LSL9345, LSC9345, LSL9355, LSC9355)



Cycles may vary with model

Normal cycle

(Models LSL9355 and LSC9355)

The Normal cycle features extended high speed agitation followed by a brief period of low speed agitation for cleaning cottons and linens. High spin speeds shorten drying times. Select 9 (Regular), 12 (Heavy), or 15 (Ex Heavy) minutes of wash time, depending on whether your load is moderately or heavily soiled. For lightly soiled cotton and linen fabrics, use the 6-minute Light setting.

Super Wash – Select the 18-minute Super Wash feature to wash heavily soiled loads that need maximum soil removal. Use two times the amount of recommended detergent for this cycle.

Normal cycle

(Models LSL9345 and LSC9345)

The Normal cycle features high speed agitation for cleaning cottons and linens. High spin speeds shorten drying times. Select 9 (Regular), 12 (Heavy), or 15 (Ex Heavy) minutes of wash time, depending on whether your load is moderately or heavily soiled. For lightly soiled cotton and linen fabrics, use the 6-minute Light setting.

Super Wash – Select the 18-minute Super Wash feature to wash heavily soiled loads that need maximum soil removal. Use two times the amount of recommended detergent for this cycle.

Permanent Press cycle

The Permanent Press cycle starts with high speed agitation and then steps down to low speed agitation for cleaning permanent press blends and synthetic fabrics. To minimize wrinkling, this cycle features a cool down rinse and a low speed final spin. Select 6 (Light) or 9 (Regular) minutes to clean light to moderately soiled loads.

Delicate cycle

The Delicate cycle features an extra low speed agitation for gentle soil removal from delicate items and washable knits. Low spin speeds minimize wrinkling. Select 3 (Light) or 6 (Regular) minutes to clean light to moderately soiled loads.

Ultimate Care cycle

(Hand Washables)

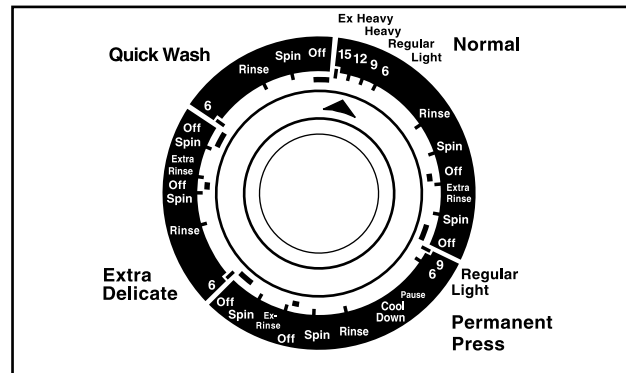
The Ultimate Care (Hand Washables) cycle features a series of brief, extra low speed agitations (7 seconds) and short soaks (13 seconds) to gently clean special-care items. Low spin speeds minimize wrinkling. Use 6 minutes of wash time to clean lightly soiled hand washables.

Garments are labeled “Hand Wash” because:

- The fiber or construction may be sensitive to agitation.
- The fabric contains sensitive dyes that may bleed. Properly sort and then use your Hand Washables cycle for gentle washing. Follow care label directions for drying. Items that may shrink should be dried flat. Block these items by gently stretching to original measurements. Woolens tend to shrink more the first time they are washed.
- If items appear to be floating due to trapped air, stop the washer by pushing in the Cycle Control Knob. Push items down into the water. Restart the washer.

CYCLE DESCRIPTIONS

(Model LSR8300)



Normal cycle

The Normal cycle features extended high speed agitation followed by a brief period of low speed agitation for cleaning cottons and linens. High spin speeds shorten drying times. Select 9 (Regular), 12 (Heavy), or 15 (Ex Heavy) minutes of wash time, depending on whether your load is moderately or heavily soiled. For lightly soiled cotton and linen fabrics, use the 6-minute Light setting.

Permanent Press cycle

The Permanent Press cycle starts with high speed agitation and then steps down to low speed agitation for cleaning permanent press blends and synthetic fabrics. To minimize wrinkling, this cycle features a cool-down rinse and a low speed final spin. Select 6 (Light) or 9 (Regular) minutes to clean light to moderately soiled loads.

Extra Delicate

The Extra Delicate cycle features an extra low speed agitation for gentle soil removal from delicate items and washable knits. Low spin speeds minimize wrinkling. Select this 6-minute cycle to clean light to moderately soiled loads.

Quick Wash

The Quick Wash cycle features low agitation speed for gentle soil removal, while providing shortened wash/rinse, drain, and spin times. High spin speeds shorten drying times. Use this 6-minute cycle with a **low water level and a warm wash** to quickly clean a few lightly soiled items.

RINSE/DRAIN AND SPIN

Rinse and Spin feature

When using extra detergent for heavily soiled clothes, or washing special-care items, you may find an extra rinse and spin is needed.

- For an additional rinse and spin, push in the Cycle Control Knob and turn it clockwise to any of the Rinse settings. The washer fills to the selected load size, agitates, drains, and spins.

NOTE: An Extra Rinse option is also available. See “Using your washer.”

Drain and Spin feature

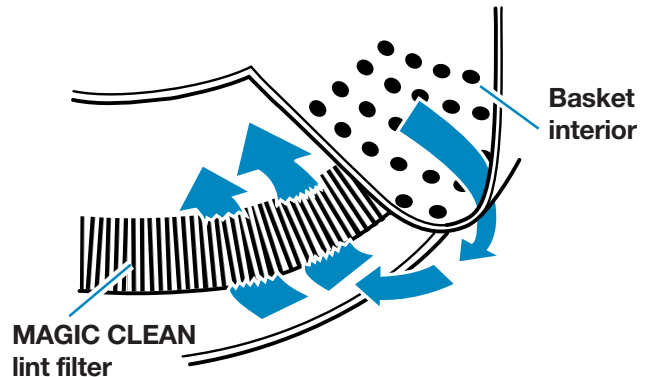
A drain and spin may help shorten drying times for some heavy fabrics or special-care items by removing excess water.

- For a drain and spin, push in the Cycle Control Knob and turn it clockwise to any of the Spin settings. Then pull out the Cycle Control Knob. The washer drains, then spins.

MAGIC CLEAN* LINT FILTER

Your washer has a self-cleaning lint filter at the bottom of the basket. Wash and rinse water flow over the filter during agitation, separating the lint from the water. The lint spins out of the system during the spin part of the cycle.

If your washer drains into a tub, remove any lint collected in the tub or strainer.



UNDERSTANDING NORMAL WASHER SOUNDS

Your new washer may make sounds your old one didn't. Because the sounds may be unfamiliar, you may be concerned about them. Don't be; most of them are normal.

The following describes some of the sounds you may hear and what causes them.

During washing

When you select a small load size setting, your washer has a lower water level. This may cause a clicking sound from the upper part of the agitator.

During drain

If water is drained quickly from your washer (depending on your installation), you may hear air being pulled through the pump during the end of draining.

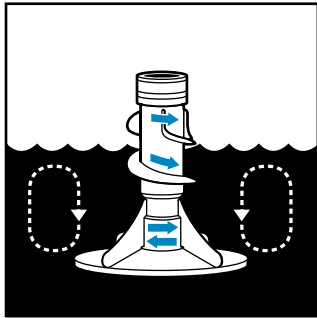
After drain and before spin

When the cycle changes from draining to spinning, you may hear gears engaging.

UNDERSTANDING WHAT HAPPENS IN EACH CYCLE

When the Cycle Control Knob is set to a number and pulled out, the washer fills (to the selected load size) before agitation and timing start. The washer begins agitating immediately after filling; agitation occurs with the washer lid up or down.

During agitation, the XTRA ROLL ACTION* agitator creates a continuous rollover action that provides a thorough cleaning of the wash load.



After agitation starts, the Cycle Control Knob turns clockwise until it points to an Off area and the cycle ends.

NOTE: The washer pauses briefly throughout each cycle. These pauses are normal for washer operation.

Sequence of cycles

WASH	
	Fill
	Wash selected time
	Drain† No agitation
	Spin
† The Permanent Press cycle partially drains, fills, agitates briefly, and drains.	

RINSE	
	Fill
	Rinse
	Drain-No agitation
	Spin-Spray rinse
	Spin
	Off

CARING FOR YOUR WASHER

Proper care of your washer can extend its life. This section explains how to care for your washer properly and safely.

CLEANING YOUR WASHER

Cleaning the exterior

Use a soft, damp cloth or sponge to wipe up any spills such as detergent or bleach. Occasionally wipe the outside of your washer to keep it looking new.



Cleaning the interior

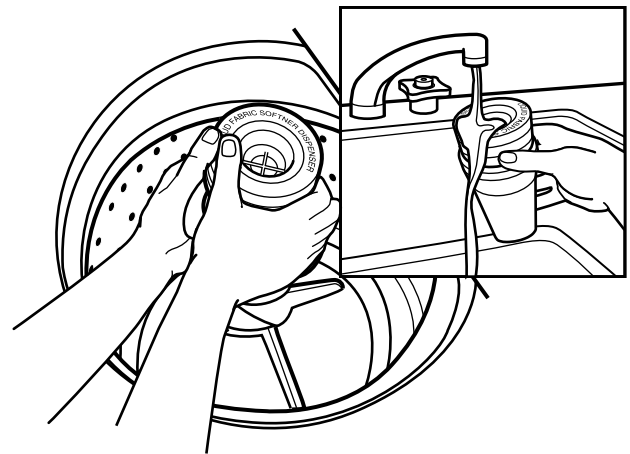
Clean your washer interior by mixing 1 cup (250 mL) of chlorine bleach and 2 cups (500 mL) of detergent. Pour this into your washer and run it through a complete cycle using hot water. Repeat this process if necessary.

NOTE: Remove any hard water deposits using only cleaners labeled as washer safe.

Cleaning the liquid fabric softener dispenser

Flush dispenser periodically with warm water, as shown. Remove the dispenser by grasping the top of the dispenser with both hands and squeezing and pushing upwards with thumbs. Clean the dispenser by rinsing it under a water faucet. Replace it after cleaning.

NOTE: Do not wash clothes with this dispenser removed. Do not add detergent or bleach to this dispenser; it is for liquid fabric softener use only.



WINTER STORAGE, MOVING, VACATION CARE

Install and store your washer where it will not freeze. Because some water may stay in the hoses, freezing can damage your washer. If storing or moving your washer during freezing weather, winterize it.

To winterize washer:

1. Shut off both water faucets.
2. Disconnect and drain water inlet hoses.
3. Put 1 quart (1 L) of R.V.-type antifreeze in the basket.
4. Run washer on a drain and spin setting (see "Drain and spin") for about 30 seconds to mix the antifreeze and water.
5. Unplug the power supply cord.

To use washer again:

1. Flush water pipes and hoses.
2. Reconnect water inlet hoses.
3. Turn on both water faucets.
4. Reconnect power supply cord.
5. Run the washer through a complete cycle with 1 cup (250 mL) of detergent to clean out antifreeze.

Non-use or vacation care:

Operate your washer only when you are at home. If you will be on vacation or not using your washer for an extended period of time, you should:

- Unplug the power supply cord or turn off electrical power to the washer.
- Turn off the water supply to the washer. This helps avoid accidental flooding (due to a water pressure surge) while you are away.

TROUBLESHOOTING

Most laundering problems are easily solved if you understand the cause. Check the following list for **common washing problems**. If you need further assistance, see the “Requesting Assistance or Service” section.

COMMON WASHING PROBLEMS

Problem ...	Cause ...	Solution ...
Washer leaks NOTE: After checking these, check household plumbing.	<ul style="list-style-type: none"> ● Fill hoses not tight. ● Fill hose washers not properly seated. ● Drain hose clamp not properly installed or is off. ● Drain is clogged. ● Tub moved forward during unloading, causing water to deflect off of tub ring. ● Unit not level, causing water to deflect off of tub ring. ● Fill or spray rinses are deflecting off of load. Washer is overloaded or load is unbalanced. 	<ul style="list-style-type: none"> ● Tighten hoses. See Installation Instructions. ● Reseat (reposition) washers. See Installation Instructions. ● Clamp drain hose. ● Unclog drain. Sink and standpipe must be able to handle 17 gallons (64.6 L) of water per minute. ● Ensure tub is centered before starting washer. ● Ensure front feet are installed and nuts are tightened. Level washer. ● Redistribute the load, or reduce load size.
Washer won't drain/spin	<ul style="list-style-type: none"> ● Drain hose is clogged. ● Lid is open. ● End of drain hose more than 72 inches (190.9 cm) above floor. ● Too much detergent – excessive sudsing. ● Low voltage or using an extension cord. 	<ul style="list-style-type: none"> ● Unclog hose. See Installation Instructions for proper installation of drain hose. ● Close the lid. ● Lower drain hose. ● Use less detergent. ● Check electrical source or call electrician. Do not use extension cords.
Wet loads	<ul style="list-style-type: none"> ● Wrong cycle for load being washed. ● Cold rinses. 	<ul style="list-style-type: none"> ● Choose a cycle with a higher spin speed. ● Cold rinses leave loads wetter than warm rinses. This is normal.
Washer continues to fill/drain or cycle stuck NOTE: Washer pauses briefly throughout each cycle. This is normal.	<ul style="list-style-type: none"> ● Top of drain hose is lower than water level in washer. ● Drain hose fits too tightly into standpipe. ● Drain hose taped into standpipe. 	<ul style="list-style-type: none"> ● Raise the drain hose. It must be higher for proper operation. ● Adjust drain hose for loose yet secure fit. See Installation Instructions. ● Do not seal off drain hose with tape. The hose needs an air gap.
Washer makes noise	<ul style="list-style-type: none"> ● Load is unbalanced. ● Washer is not level. ● Nuts on front feet not tight. ● Yellow shipping strap with cotter pins not completely removed. 	<ul style="list-style-type: none"> ● Redistribute load. ● Level washer. Reset rear leveling legs. See Installation Instructions. ● Tighten nuts. ● See Installation Instructions.

COMMON WASHING PROBLEMS (CONT.)

Problem ...	Cause ...	Solution ...
Washer makes noise (cont.)	<ul style="list-style-type: none"> ● Gears engaging after drain and before spin. ● Upper part of agitator clicks during wash. 	<ul style="list-style-type: none"> ● This is normal. ● This is normal.
Won't fill/rinse/agitate or wrong temperature	<ul style="list-style-type: none"> ● Power cord not plugged in. ● Timer dial is not lined up. ● Water inlet valve screens are plugged. ● Water is turned off. ● Hot and cold hoses are reversed. ● Inlet hose is kinked. 	<ul style="list-style-type: none"> ● Plug in power cord. ● Turn timer knob to the right slightly and pull to start. ● Clean screens. ● Turn on water. ● Reverse hoses. ● Straighten hoses.
Washer stops	<ul style="list-style-type: none"> ● Power cord not plugged in. ● No power at plug. ● Fuse blown or circuit breaker open. ● Using an extension cord. ● Timer dial is not lined up. ● Timer knob not pulled out. ● Washer at pause in Permanent Press cycle (approximately 2 minutes). ● Machine is overloaded. 	<ul style="list-style-type: none"> ● Plug in power cord. ● Check electrical source or call electrician. ● Replace fuse or reset circuit breaker. If problem continues, call electrician. ● Do not use extension cords. ● Turn timer to the right slightly and pull to start. ● Set and pull out knob. ● Allow cycle to continue. ● Wash smaller loads.
Agitator operation	<ul style="list-style-type: none"> ● The top of the agitator moves only in one direction. ● The top of the agitator is loose. 	<ul style="list-style-type: none"> ● This is normal. ● This is normal.
Water level seems too low or washer not completely filling	<ul style="list-style-type: none"> ● The top of the agitator is much higher than the highest water level. This creates a perception of the washer not being full. 	<ul style="list-style-type: none"> ● This is normal.
Washer tub is crooked	<ul style="list-style-type: none"> ● Tub is pulled forward when unloading. ● Tub moves. ● Unit not level. 	<ul style="list-style-type: none"> ● Push tub to center before starting. ● This is normal. ● Ensure front feet are installed and nuts tightened. Level washer. Reset rear leveling legs. See Installation Instructions.

COMMON WASHING PROBLEMS (CONT.)

Problem ...	Cause ...	Solution ...
Residue or lint on load	<ul style="list-style-type: none"> ● Improper sorting. ● Overloading. ● Paper or tissue in pockets. ● Not enough detergent. ● Detergent not dissolving. ● Wash water colder than 70°F (21°C). 	<ul style="list-style-type: none"> ● Sort lint givers (towels, chenille) from lint takers (corduroy, synthetics). Also sort by color. ● Lint can be trapped in load if overloaded. Wash smaller loads. ● Clean out pockets before washing. ● Use enough detergent to hold lint in water. ● Use wash water warmer than 70°F (21°C). ● Use wash water warmer than 70°F (21°C).
Tearing	<ul style="list-style-type: none"> ● Overloading. Improper use of washer. ● Improper use of chlorine bleach. ● Sharp items not removed from pockets; fasteners not fastened. ● Items damaged before washing. 	<ul style="list-style-type: none"> ● Loads should move freely during wash. Wash smaller loads. ● Do not pour chlorine bleach directly on load. Wipe up bleach spills. Undiluted bleach will damage fabrics. ● Clean out pockets before washing. Zip zippers before washing. ● Mend rips and broken threads in seams before washing.
Stains on load	<ul style="list-style-type: none"> ● Improper use of fabric softener. ● Iron (rust) in water. ● Not enough detergent used, causing soil to be redeposited. ● Dye transfer due to not sorting loads properly. ● Dye transfer due to not unloading washer promptly. 	<ul style="list-style-type: none"> ● Dilute fabric softener and add to rinse portion of cycle only. Do not drip fabric softener on clothes. ● Install an iron filter. ● Use enough detergent to remove soil and hold it in suspension. ● Sort dark clothing from whites and lights. ● Unload the washer as soon as it stops.
Load is wrinkled	<ul style="list-style-type: none"> ● Not removing load promptly. ● Wrong cycle for fabrics being washed. ● Overloading. ● Wash water not warm enough to relax wrinkles. Using warm rinses. ● Hoses reversed. 	<ul style="list-style-type: none"> ● Unload the washer as soon as it stops. ● Use the Permanent Press cycle or another cycle with low spin speeds to reduce wrinkling. ● Loads should move freely during wash. Wash smaller loads. ● If safe for fabric, use warm or hot wash water. Use cold rinse water. ● Reverse hoses.

continued on next page

COMMON WASHING PROBLEMS (CONT.)

Problem ...	Cause ...	Solution ...
Load is tangled/ twisted	<ul style="list-style-type: none"> ● Overloading. ● Clothes wrapped around agitator. 	<ul style="list-style-type: none"> ● Loads should move freely during wash. Wash smaller loads. ● Do not wrap items around agitator.
Clogged dispensers or bleach leaking.	<ul style="list-style-type: none"> ● Not diluting softener. ● Use of color safe bleach in chlorine bleach dispenser. ● Improper use of chlorine bleach. 	<ul style="list-style-type: none"> ● Dilute fabric softener in the dispenser. ● Add powder or liquid color safe bleach directly to the basket. Do not use chlorine bleach dispenser for color safe bleach. ● Always measure bleach before adding to the dispenser. Carefully pour into the dispenser. Wipe up bleach spills.
Gray whites, dingy colors.	<ul style="list-style-type: none"> ● Dye transfer. ● Wash temperature too low. ● Not enough detergent. ● Hard water. 	<ul style="list-style-type: none"> ● Sort dark clothes from whites and lights. ● Use hot or warm washes if safe for fabric. Hot water should be at least 130°F (54°C) to clean heavy or greasy soils. ● Use more detergent for washing heavy soils in cold or hard water. ● Use more detergent when washing in hard water.

REQUESTING ASSISTANCE OR SERVICE

To avoid unnecessary service calls, please check the “Troubleshooting” section. It may save you the cost of a service call. If you still need help, follow the instructions below.

IF YOU NEED ASSISTANCE OR SERVICE IN THE U.S.A.

Call the Whirlpool Consumer Assistance Center toll free at 1-800-253-1301. Our consultants are available to assist you.



When calling:

Please know the purchase date, and the complete model and serial number of your appliance (see “A Note to You”). This information will help us better respond to your request.

Our consultants provide assistance with:

- Features and specifications on our full line of appliances
- Installation information
- Use and maintenance procedures

- Accessory and repair parts sales
- Do-it-yourself repair help
- Specialized customer assistance (Spanish speaking, hearing impaired, limited vision, etc.)
- Referrals to local dealers, service companies, and repair parts distributors.

Whirlpool service technicians are trained to fulfill the product warranty and provide after-warranty service, anywhere in the United States.

To locate the authorized Whirlpool service company in your area, you can also look in your telephone directory Yellow Pages.

IF YOU NEED REPLACEMENT PARTS

If you need to order replacement parts, we recommend that you only use FSP* factory authorized parts. FSP replacement parts will fit right and work right, because they are made to the same exacting specifications used to build every new WHIRLPOOL* appliance.

To locate FSP replacement parts in your area, call our Consumer Assistance Center telephone number or your nearest authorized service center.

FOR FURTHER ASSISTANCE

If you need further assistance, you can write to Whirlpool with any questions or concerns at:

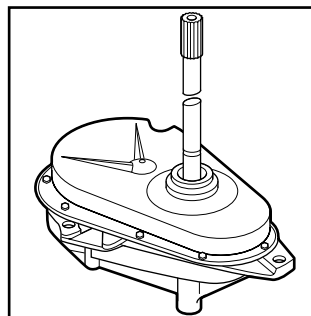
Whirlpool Brand Home Appliances
Consumer Assistance Center
c/o Correspondence Dept.
2000 North M-63
Benton Harbor, MI 49022-2692

Please include a daytime phone number in your correspondence.

If the dealer, authorized servicer, and Whirlpool have failed to resolve your problem, you can contact the Major Appliance Consumer Action Program (MACAP).

MACAP is a group of independent consumer experts that voice consumer views at the highest levels of the major appliance industry. MACAP will in turn inform us of your action.

Major Appliance Consumer Action Program
20 North Wacker Drive
Chicago, IL 60606



Gearcase assembly covered by your warranty.

IF YOU NEED ASSISTANCE OR SERVICE IN CANADA

1. If the problem is not due to one of the items listed in "Troubleshooting"†...

Contact the dealer from whom you purchased your appliance, or call the Inglis Limited Consumer Assistance Centre toll free, **8:30 a.m. – 6 p.m. (EST)**, at **1-800-461-5681**.



Please include a daytime phone number in your correspondence.

2. If you need service†...

Contact your nearest Inglis Limited Appliance Service branch or authorized servicing outlet to service your appliance. (See list below.)

† When asking for assistance or service, please provide a detailed description of the problem, your appliance's complete model and serial numbers, and the purchase date. (See the "A Note to You" section.) This information will help us respond properly to your request.

Inglis Limited Appliance Service – Consumer Services

Direct service branches:

BRITISH COLUMBIA		1-800-665-6788
ALBERTA		1-800-661-6291
ONTARIO (except 807 area code)	Ottawa area	1-800-267-3456
	Outside the Ottawa area	1-800-807-6777
MANITOBA, SASKATCHEWAN and 807 area code in ONTARIO		1-800-665-1683
QUEBEC	Montreal (except South Shore)	1-800-361-3032
	South Shore Montreal	1-800-361-0950
	Quebec City	1-800-463-1523
	Sherbrooke	1-800-567-6966
ATLANTIC PROVINCES		1-800-565-1598

FOR FURTHER ASSISTANCE

If you need further assistance, you can write to Inglis Limited with any questions or concerns at:

Consumer Relations Department
Inglis Limited
1901 Minnesota Court
Mississauga, Ontario L5N 3A7

Please include a daytime phone number in your correspondence.

INDEX

This index is alphabetical. Look for the word or phrase you are interested in, then look for the page number.

TOPIC	PAGE	TOPIC	PAGE
ASSISTANCE	17	PARTS/FEATURES	4
CLEANING		RINSE/DRAIN AND SPIN	10
Exterior	12	SAFETY	3
Interior	12	SOUNDS	10
Liquid fabric softener dispenser	12	STORAGE	12
CYCLES	8-10	TROUBLESHOOTING	13-16
DISPENSERS		WARRANTY	20
Liquid chlorine bleach	5	WASHER OPERATION	
Liquid fabric softener	6	Selecting a cycle and time	7-10
EXTRA RINSE	6	Selecting a load size	6
FEATURES/PARTS	4	Selecting a temperature	6
LINT FILTER	10	Stopping/restarting	7
LOADING	7	Using the dispensers	5, 6
OPERATING	5-11	Using your washer	5

WHIRLPOOL*

AUTOMATIC WASHER WARRANTY

(U.S.A.)

LENGTH OF WARRANTY	WHIRLPOOL WILL PAY FOR
FULL ONE-YEAR WARRANTY FROM DATE OF PURCHASE	FSP* replacement parts and repair labor to correct defects in materials or workmanship. Service must be provided by an authorized Whirlpool service company.
LIMITED FIVE-YEAR WARRANTY FROM DATE OF PURCHASE	FSP replacement parts for any part of gearcase assembly if defective in materials or workmanship. The gearcase assembly is shown in the "Requesting Assistance or Service" section of this book. FSP replacement parts for any top and lid rust.
LIMITED TEN-YEAR WARRANTY FROM DATE OF PURCHASE	FSP replacement parts for outer tub should it crack, or fail to contain water, due to defective materials or workmanship.
WHIRLPOOL WILL NOT PAY FOR	
<p>A. Service calls to:</p> <ol style="list-style-type: none"> 1. Correct the installation of your washer. 2. Instruct you how to use your washer. 3. Replace house fuses or correct house wiring or plumbing. <p>B. Repairs when your washer is used in other than normal, single-family household use.</p> <p>C. Pickup and delivery. Your washer is designed to be repaired in the home.</p> <p>D. Damage to your washer caused by accident, misuse, fire, flood, acts of God, or use of products not approved by Whirlpool.</p> <p>E. Any labor costs during the limited warranties.</p> <p>F. Replacement parts or repair labor costs for units operated outside the United States.</p> <p>G. Repairs to parts or systems caused by unauthorized modifications made to the appliance.</p>	

11/96

WHIRLPOOL CORPORATION SHALL NOT BE LIABLE FOR INCIDENTAL OR CONSEQUENTIAL DAMAGES.

Some states do not allow the exclusion or limitation of incidental or consequential damages, so this exclusion or limitation may not apply to you. This warranty gives you specific legal rights, and you may also have other rights which vary from state to state.

Outside the United States, a different warranty may apply. For details, please contact your authorized Whirlpool dealer.

If you need assistance or service, first see the "Troubleshooting" section of this book. After checking "Troubleshooting," additional help can be found by checking the "Requesting Assistance or Service" section. In the U.S.A., call our Consumer Assistance Center at **1-800-253-1301**.

For warranty information in Canada:

Please contact your authorized Whirlpool dealer or call the Consumer Assistance Centre at 1-800-461-5681 (toll free) between 8:30 a.m. and 6 p.m. EST from anywhere in Canada.

For assistance or service in Canada:

If you need assistance or service in Canada, first see the "Troubleshooting" section of this book. After checking "Troubleshooting," additional help can be found by checking the "Requesting Assistance or Service" section.



G U I D E

d'utilisation et d'entretien

Laveuses automatiques à trois vitesses

Félicitations! 2

Règles de
sécurité 3 et 4

Pièces et
caractéristiques 5

Fonctionnement de
la laveuse 6

Entretien de
la laveuse 14

Diagnostic 16

Demande
d'assistance ou
de service 21

Index 23

Garantie 24

3366875



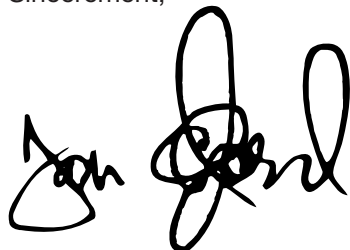
FÉLICITATIONS!

Félicitations pour l'achat de votre nouvelle laveuse automatique. Je suis persuadé que notre produit vous fournira les mêmes critères de qualité, performance et fiabilité qui ont établi notre réputation.

Veuillez prendre le temps de lire ce guide. Il contient de nombreuses idées et des renseignements utiles qui vous aideront à tirer le meilleur parti de ce produit pendant de nombreuses années.

Nous vous remercions d'avoir choisi l'un de nos produits de qualité. Vous avez fait un excellent choix.

Sincèrement,



Dan Clifford
Directeur général
Inglis Limitée

Si vous avez besoin d'assistance ou de service, consultez d'abord la section "Diagnostic" dans cette brochure. Après avoir consulté "Diagnostic", on peut également obtenir de l'aide supplémentaire à la section "Demande d'assistance ou de service".

Lors de votre appel, vous devrez communiquer le numéro de modèle et le numéro de série de l'appareil. Vous pouvez trouver ces renseignements sur la plaque signalétique donnant le numéro de modèle et le numéro de série (voir la section "Pièces et caractéristiques").

Conserver cette brochure et la facture de vente ensemble en lieu sûr pour consultation ultérieure. **Pour obtenir le service sous garantie, vous devez fournir une preuve d'achat ou la date d'installation.**

Numéro de modèle _____	Nom du marchand/constructeur _____
Numéro de série _____	Adresse _____
Date d'achat _____	Téléphone _____

RÈGLES DE SÉCURITÉ

Votre sécurité et celle des autres est très importante.

Nous donnons de nombreux messages de sécurité importants dans ce manuel et sur votre appareil ménager. Assurez-vous de toujours lire tous les messages de sécurité et de vous y conformer.



Voici le symbole d'alerte de sécurité.

Ce symbole d'alerte de sécurité vous signale les dangers susceptibles de causer le décès et des blessures graves.

Tous les messages de sécurité seront précédés du symbole d'alerte de sécurité et du mot "DANGER" ou "AVERTISSEMENT". Ces mots signifient :

! DANGER

Risque certain de décès ou de blessure grave si vous ne suivez pas les instructions.

! AVERTISSEMENT

Risque possible de décès ou de blessure grave si vous ne suivez pas les instructions.

Tous les messages de sécurité identifient le danger et vous disent comment réduire le risque de blessure et ce qui peut se produire en cas de non-respect des instructions.

IMPORTANTES INSTRUCTIONS DE SÉCURITÉ

AVERTISSEMENT – Pour réduire les risques d'incendie, de choc électrique ou des blessures lors de l'utilisation de la laveuse, suivre les précautions fondamentales dont les suivantes :

- Lire toutes les instructions avant d'utiliser la laveuse.
- Ne pas laver des articles qui ont été nettoyés ou lavés avec de l'essence ou imbibés d'essence, solvants de nettoyage à sec, ou autres substances inflammables ou explosives; ces substances peuvent émettre des vapeurs susceptibles de s'enflammer ou d'exploser.
- Ne pas ajouter d'essence, solvant de nettoyage à sec ou autre produit inflammable ou explosif dans l'eau de lavage. Ces substances peuvent émettre des vapeurs susceptible de s'enflammer ou d'exploser.
- Dans certaines conditions, de l'hydrogène gazeux a pu se former dans un circuit d'eau chaude qui n'a pas été utilisé pendant 2 semaines ou plus. **LE GAZ HYDROGÈNE EST EXPLOSIBLE.** Si le circuit d'eau chaude n'a pas été utilisé pendant une telle période, avant d'utiliser la laveuse, ouvrir tous les robinets d'eau chaude et laisser l'eau s'écouler pendant plusieurs minutes par chaque robinet. Ceci permettra l'évacuation de l'hydrogène gazeux accumulé. Comme ce gaz est inflammable, ne pas fumer ou utiliser une flamme nue au cours de cette période.
- Ne pas laisser des enfants jouer sur la laveuse ou à proximité. Bien surveiller les enfants lorsque la laveuse est utilisée à proximité d'enfants.

– CONSERVEZ CES INSTRUCTIONS –

suite à la page suivante

IMPORTANTES INSTRUCTIONS DE SÉCURITÉ (suite)

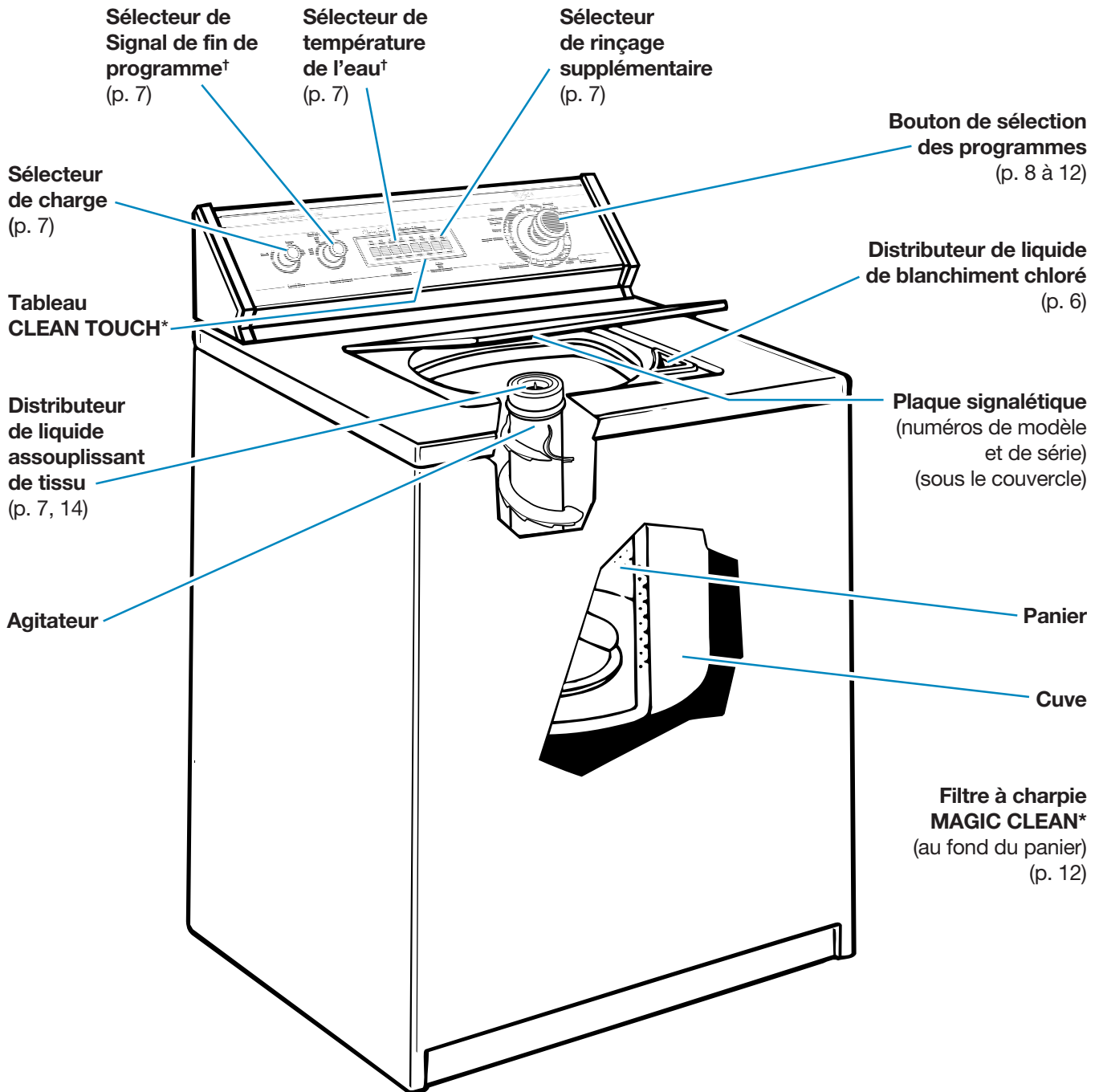
- Avant de mettre la laveuse au rebut ou hors de service, enlever la porte.
- Ne pas tenter d'atteindre un article à l'intérieur de la cuve de la laveuse lorsque la cuve ou l'agitateur est en mouvement.
- Ne pas installer ou remiser cette laveuse à un endroit où elle serait exposée aux intempéries.
- Ne pas modifier les organes de commandes.
- Ne pas réparer ou remplacer un composant quelconque de la laveuse, ni entreprendre une opération de service, si ce n'est spécifiquement recommandé dans le manuel de l'utilisateur ou dans un manuel d'instructions de réparations destiné à l'utilisateur; il est alors essentiel que la personne concernée comprenne ces instructions et soit compétente pour les exécuter.
- Voir les instructions d'installation pour les exigences de liaison à la terre.

- CONSERVEZ CES INSTRUCTIONS -

PIÈCES ET CARACTÉRISTIQUES

Les pièces et caractéristiques de la laveuse sont illustrées sur cette page. Il est bon de connaître toutes les pièces et caractéristiques avant d'utiliser la laveuse. Les pages de référence sont indiquées près de l'indication de certaines caractéristiques. Se référer à ces pages pour les détails au sujet de ces caractéristiques.

REMARQUE : Les illustrations de ce guide peuvent varier selon le modèle de votre laveuse. Ces illustrations sont destinées à montrer les différentes caractéristiques de tous les modèles couverts par ce guide. Le modèle que vous avez acheté peut ne pas comporter toutes les caractéristiques.



† CLEAN TOUCH sur certains modèles; d'autres modèles ont des boutons rotatifs.

FONCTIONNEMENT DE LA LAVEUSE

Pour obtenir les meilleurs résultats possibles de lavage, il convient d'utiliser la laveuse correctement. Cette section vous indique comment utiliser votre laveuse d'une façon sûre et efficace.

UTILISATION DE LA LAVEUSE

⚠ AVERTISSEMENT



Risque d'explosion

Ne jamais mettre des articles humectés d'essence ou d'autres fluides inflammables dans la laveuse.

Aucune laveuse ne peut complètement enlever l'huile.

Ne pas faire sécher des articles qui ont été salis par tout genre d'huile (y compris les huiles de cuisson).

Le non-respect de ces instructions peut causer un décès, une explosion ou un incendie.

⚠ AVERTISSEMENT



Risque de choc électrique

Brancher sur une prise à 3 alvéoles reliée à la terre.

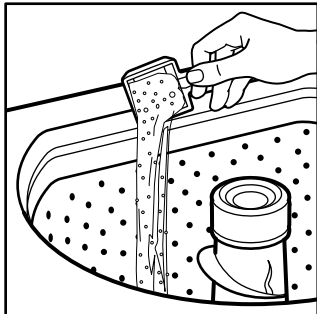
Ne pas enlever la broche de liaison à la terre.

Ne pas utiliser un adaptateur.

Ne pas utiliser un câble de rallonge.

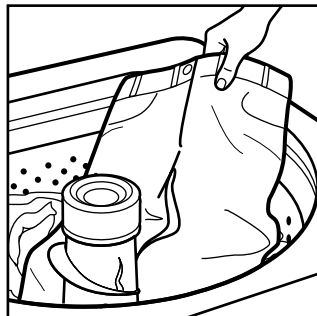
Le non-respect de ces instructions peut causer un décès, un incendie ou un choc électrique.

1. Mesurer la quantité nécessaire de détergent et le verser dans la laveuse.



- Si désiré, vous pouvez aussi ajouter un agent de blanchiment en poudre ou liquide, sans danger pour les couleurs.
- Ajouter plus de détergent au programme "Super Wash".

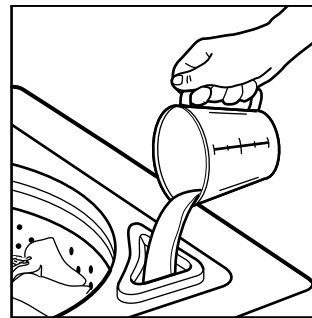
2. Ajouter une charge de linge trié sans le tasser dans la laveuse, en la remplissant jusqu'à la rangée supérieure des trous.



- Répartir la charge uniformément pour équilibrer la laveuse. Mélanger de gros articles avec de petits articles.
- Le linge doit se déplacer facilement dans l'eau de lavage. Une surcharge peut causer un nettoyage médiocre.

- Pour réduire le froissement des articles à pressage permanent et de certains tricotés synthétiques, sélectionner le niveau d'eau correspondant à une grosse charge pour disposer de plus d'espace pour ces articles. (Voir étape 6).

3. (ÉTAPE FACULTATIVE) Verser la quantité de

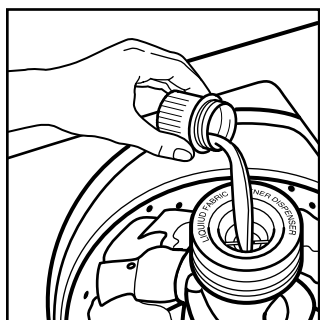


liquide de blanchiment chloré mesurée dans le distributeur de liquide de blanchiment chloré. Le liquide de blanchiment sera dilué automatiquement au cours de la partie de lavage du programme.

- Ne jamais utiliser plus de 250 mL (1 tasse) pour une charge complète. Utiliser une quantité moindre avec une charge plus petite.
- Suivre le mode d'emploi du fabricant pour un usage sûr.
- Utiliser une tasse avec un bec verseur pour éviter de renverser le liquide. Ne pas laisser le liquide de blanchiment éclabousser, dégoutter ou couler dans le panier de la laveuse.
- S'assurer d'utiliser seulement un agent de blanchiment liquide chloré dans ce distributeur.

UTILISATION DE LA LAVEUSE (SUITE)

4. (ÉTAPE FACULTATIVE) Sur les modèles avec

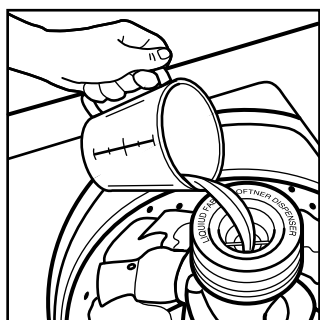


distributeur d'assouplissant de tissu liquide, verser l'**assouplissant de tissu liquide** mesuré dans le distributeur.

- Ne pas renverser ou laisser dégoutter de l'assouplissant de tissu sur le linge.
- S'assurer que vous utilisez seulement

de l'assouplissant de tissu liquide dans ce distributeur.

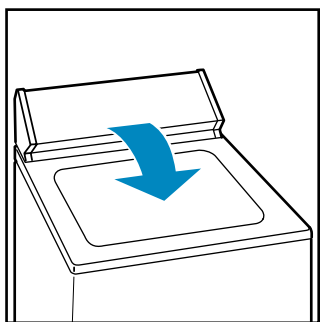
• Diluer l'assouplissant de tissu liquide en remplissant



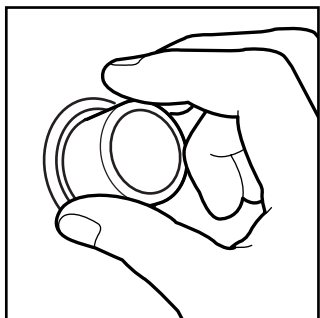
le distributeur d'eau tiède jusqu'à ce que le liquide atteigne le croisillon dans l'ouverture.

- L'assouplissant est ajouté automatiquement au cours de la section de rinçage du programme.

5. Fermer le couvercle de la laveuse.



6. Tourner le sélecteur de quantité au réglage qui correspond à la quantité de la charge de linge et du genre de tissu à laver.

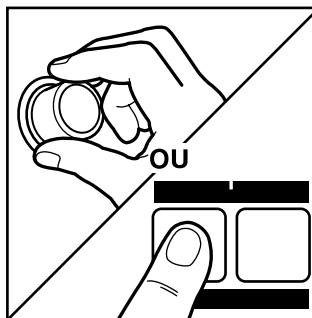


- La laveuse présente cinq réglages pour la quantité de linge à laver.
- Choisir une quantité de linge qui permet au linge de se déplacer

librement pour un meilleur soin des tissus. Voir "Chargement".

- Changer le réglage après que la laveuse a commencé à se remplir, en tournant le sélecteur à un réglage différent.

7. Tourner le sélecteur de température d'eau au



réglage correct selon le genre de tissu à laver et les saletés à éliminer.

- Utiliser l'eau la plus tiède qui convient au tissu.

- Suivre les instructions sur l'étiquette du vêtement.

HOT (CHAUDE) : 54°C (130°F) ou plus

- Blancs et pastels.
- Saletés intenses et grasses.

WARM (TIÈDE) : 32 à 44°C (90 à 110°F)

- Couleurs vives.
- Saletés modérées à légères.

COLD (FROIDE) : 21 à 32°C (70 à 90°F)

- Couleurs qui déteignent ou ternissent.
- Saletés légères.

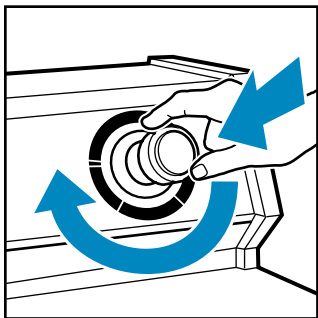
8. (ÉTAPE FACULTATIVE) Pour un rinçage et un essorage supplémentaires à la fin d'un programme de lavage, régler le sélecteur Extra Rinse (rinçage supplémentaire) à On (mise en marche).

9. (ÉTAPE FACULTATIVE) Régler le sélecteur de signal de fin de programme à On (mise en marche) si vous désirez que la laveuse laisse entendre un signal lorsque le programme de lavage est terminé. Ce signal est utile lorsque les articles lavés devraient être enlevés de la laveuse aussitôt que le programme se termine.

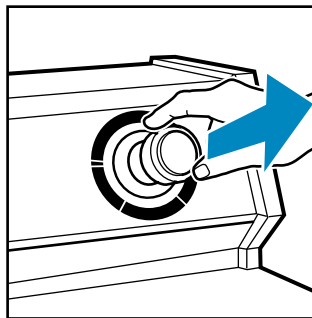
suite à la page suivante

UTILISATION DE LA LAVEUSE (SUITE)

- 10.** Appuyer sur le bouton de sélection de programme et le tourner dans le sens horaire jusqu'au programme de lavage que vous désirez. Voir "Selections de programme".
- Réduire le temps de lavage lors de l'utilisation du réglage pour petites charges de linge à laver.



- 11.** Tirer le bouton de sélection du programme pour commander la mise en marche de la laveuse.



REMARQUE : Pour **arrêter** la laveuse à un moment quelconque, enfoncer le bouton de réglage de programme. Pour **remettre** la laveuse en marche, fermer le couvercle (s'il est ouvert) et tirer le bouton de réglage de programme.

CHARGEMENT

Suggestions de chargement

Pour ces exemples de charges complètes de la laveuse, régler le sélecteur de charge au plus haut réglage de charge.

LAVEUSES DE SUPER CAPACITÉ

Vêtements de travail lourds

3 pantalons
3 chemises
4 jeans
1 combinaison de travail
1 salopette

Articles délicats

3 camisoles
1 robe de chambre piquée
4 jupons
4 culottes
2 soutiens-gorge
2 chemises de nuit
1 robe de bébé

Serviettes

10 serviettes de bain
10 serviettes à main
14 débarbouillettes
1 tapis de bain

Charge mixte

3 draps doubles
4 taies d'oreiller
8 T-shirts
6 shorts
2 chemises
2 chemisiers
8 mouchoirs

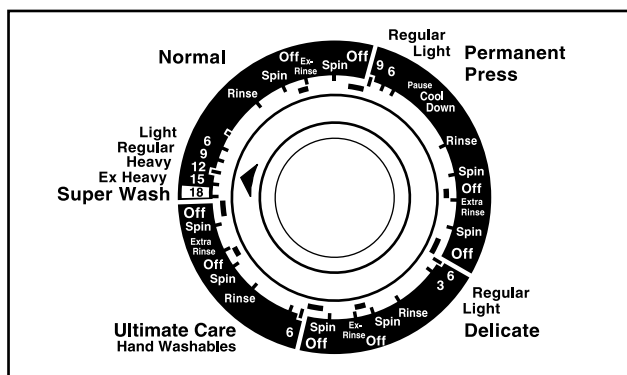
SÉLECTION D'UN PROGRAMME ET DE LA DURÉE DE LAVAGE

Cette section décrit les programmes de lavage disponibles et vous aidera à faire les meilleures sélections possibles de programme pour les charges de linge à laver. Chaque programme est destiné à différents types de tissus et niveaux de saletés.

- La laveuse fait de brèves pauses au cours de chaque programme. Ces pauses sont normales. Se référer à “Compréhension des bruits normaux de la laveuse” pour comprendre les bruits qu'on peut entendre pendant un programme.
- Se référer à “Compréhension de la fonction de chaque programme” pour comprendre ce qui arrive durant un programme de lavage.

DESCRIPTIONS DES PROGRAMMES

(Modèles LSL9345, LSC9345, LSL9355, LSC9355)



Les cycles peuvent varier selon le modèle

Programme normal (Normal)

(Modèles LSL9355 et LSC9355)

Le programme Normal présente un temps d'agitation prolongé à vitesse élevée suivi par une brève période d'agitation à vitesse faible pour nettoyer les articles de coton et le linge de maison. Des vitesses élevées d'essorage diminuent le temps de séchage. Pour le lavage, choisir 9 (Régulière), 12 (Lourde), ou 15 (Ex Lourde) minutes si votre charge est modérément ou très sale. Pour les tissus de coton et de toile légèrement sales, utiliser le réglage Light (Légère) de 6 minutes.

Super lavage – Choisir la caractéristique “Super Wash” de 18 minutes pour laver les charges de linge très sale qui exige un enlèvement maximal de la saleté. Utiliser deux fois la quantité de détergent recommandée pour ce programme.

Programme normal (Normal)

(Modèles LSL9345 et LSC9345)

Le programme Normal présente un temps d'agitation à vitesse élevée pour nettoyer les articles de coton et le linge de maison. Des vitesses élevées d'essorage diminuent le temps de séchage. Pour le lavage, choisir 9 (Régulière), 12 (Lourde), ou 15 (Ex Lourde) minutes si votre charge est modérément ou très sale. Pour les tissus de coton et de toile légèrement sales, utiliser le réglage Light (Légère) de 6 minutes.

Super lavage – Choisir la caractéristique “Super Wash” de 18 minutes pour laver les charges de linge très sale qui exige un enlèvement maximal de la saleté. Utiliser deux fois la quantité de détergent recommandée pour ce programme.

suite à la page suivante

DESCRIPTIONS DE PROGRAMMES (SUITE)

Programme de pressage permanent

Le programme de pressage permanent commence par une agitation à haute vitesse, suivie d'une agitation à basse vitesse pour nettoyer les tissus de pressage permanent et les tissus synthétiques. Pour réduire le froissement au minimum, ce programme comporte un rinçage refroidissant et un essorage final à basse vitesse. Choisir 6 (Légère) ou 9 (Régulière) minutes pour nettoyer les charges de légèrement à modérément sales.

Programme d'articles délicats (Delicate)

Le programme d'articles délicats présente une vitesse d'agitation réduite pour enlever en douceur les saletés. Les vitesses faibles d'agitation réduisent le froissement au minimum. Pour le lavage, choisir 3 (Légère) ou 6 (Régulière), si votre charge est légèrement ou modérément sale.

Programme soins ultimes (Ultimate Care) (Articles lavables à la main)

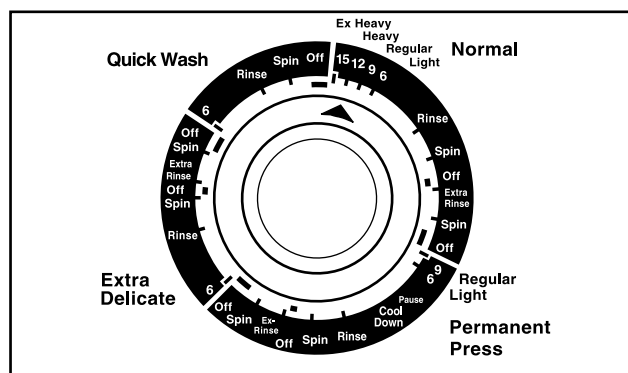
Le programme Ultimate Care (Articles lavables à la main) comporte une brève agitation à vitesse extra basse (7 secondes) et des trempages brefs (13 secondes) pour nettoyer délicatement les articles qui demandent un soin spécial. Des vitesses faibles d'essorage réduisent le froissement. Utiliser une durée de lavage de 6 minutes pour nettoyer les articles lavables à la main légèrement sales.

Les vêtements portent l'étiquette "Lavage manuel" parce que :

- La fibre ou le tissu peut être sensible à l'agitation.
- Le tissu contient des teintures sensibles qui peuvent couler. Faire un triage approprié et ensuite utiliser le programme de lavage manuel pour le lavage de tissus délicats. Suivre les instructions sur l'étiquette de soin pour le séchage. Les articles susceptibles de rétrécir doivent être séchés à plat. Bloquer ces articles en les étirant délicatement à leur mesure originale. Les articles en laine ont tendance à rétrécir davantage au premier lavage.
- Si les articles semblent flotter par suite d'air emprisonné, arrêter la laveuse en appuyant sur le bouton Réglage de programme. Submerger les articles dans l'eau. Remettre la laveuse en marche.

DESCRIPTIONS DE PROGRAMMES

(Modèle LSR8300)



Programme normal (Normal)

Le programme Normal présente un temps d'agitation prolongé à vitesse élevée suivi par une brève période d'agitation à vitesse faible pour nettoyer les articles de coton et le linge de maison. Des vitesses élevées d'essorage diminuent le temps de séchage. Pour le lavage, choisir 9 (Régulière), 12 (Lourde), ou 15 (Ex Lourde) minutes si votre charge est modérément ou très sale. Pour les tissus de coton et de toile légèrement sales, utiliser le réglage Light (Légère) de 6 minutes.

Programme de pressage permanent (Permanent Press)

Le programme de pressage permanent commence par une agitation à haute vitesse, suivie d'une agitation à basse vitesse pour nettoyer les tissus de pressage permanent et les tissus synthétiques. Pour réduire le froissement au minimum, ce programme comporte un rinçage refroidissant et un essorage final à basse vitesse. Choisir 6 (Légère) ou 9 (Régulière) minutes pour nettoyer les charges de légèrement à modérément sales.

Programme d'articles extra délicats (Extra Delicate)

Le programme d'articles extra délicats présente une vitesse d'agitation réduite pour enlever en douceur les saletés. Les vitesses faibles d'agitation réduisent le froissement au minimum. Utiliser une durée de lavage de 6 minutes pour nettoyer les articles délicats et tricotés lavables légèrement à modérément sales.

Programme de Lavage Vite (Quick Wash)

Le programme de lavage vite comporte une agitation à vitesse réduite pour enlever délicatement la saleté, en fournissant des temps plus courts de lavage/rinçage, vidange et essorage. Utiliser ce programme de 6 minutes avec un niveau **d'eau plus bas et un lavage tiède** pour nettoyer rapidement quelques articles légèrement sales.

RINÇAGE/VIDANGE ET ESSORAGE

Utilisation de la fonction Rinçage/Essorage (Rinse and Spin)

Lors de l'utilisation d'une plus grande quantité de détergent pour le lavage du linge très sale ou pour le lavage d'articles de soins spéciaux, un rinçage et un essorage supplémentaires peuvent être nécessaires.

- Pour un rinçage et un essorage supplémentaires, appuyer sur le bouton de sélection du programme et le tourner dans le sens horaire jusqu'à l'un des réglages de rinçage. La laveuse se remplit jusqu'au niveau correspondant au volume de la charge de linge et exécute les opérations d'agitation, de vidange et d'essorage.

REMARQUE : Une option Extra Rinse est disponible. Voir "Fonctionnement de la laveuse".

Utilisation de la fonction Vidange/Essorage (Drain and Spin)

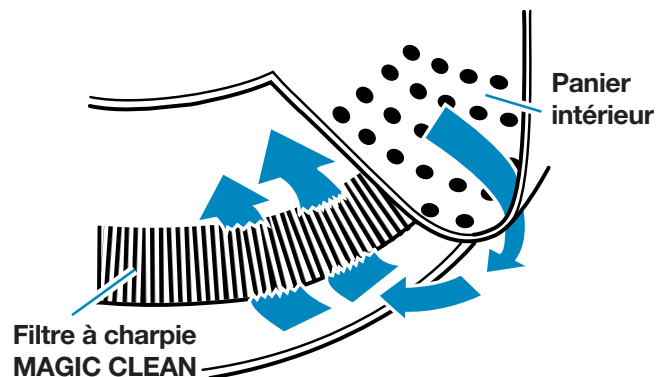
L'opération de vidange/essorage peut réduire le temps de séchage nécessaire pour certains tissus épais ou articles spéciaux, grâce à l'élimination de l'excès d'eau.

- Appuyer sur le bouton de sélection de programmes et le tourner dans le sens horaire jusqu'à l'un des réglages d'essorage. Ensuite tirer le bouton de sélection de programmes. La laveuse exécute l'opération de vidange, ensuite celle d'essorage.

FILTRE À CHARPIE MAGIC CLEAN*

Votre laveuse possède un filtre à charpie autonettoyant au fond du panier de la laveuse. Au cours de l'agitation, l'eau de lavage et de rinçage passe sur le filtre qui retient les fibres textiles et les sépare de l'eau. Les fibres accumulées sont ensuite séparées du filtre par essorage et rejetées à l'égout au cours de la période de centrifugation du programme.

Si l'eau de lavage est rejetée dans un évier de buanderie, enlever la charpie qui s'accumule dans l'évier ou sur la crépine.



COMPRÉHENSION DES BRUITS NORMAUX DE LA LAVEUSE

La nouvelle laveuse peut émettre des bruits que votre ancienne ne faisait pas. Comme les bruits ne sont pas familiers, vous vous inquiétez peut-être. Mais, ne vous en faites pas, car ces bruits sont normaux.

Les renseignements suivants décrivent certains des bruits que vous pouvez entendre et leur cause.

Pendant le lavage

Lorsque vous choisissez le réglage pour une petite charge à laver, votre laveuse a un niveau d'eau plus bas. Avec ce niveau d'eau plus bas, on peut entendre un cliquetis de la portion supérieure de l'agitateur.

Durant la vidange

Si l'eau est vidée rapidement de la laveuse (d'après l'installation), vous pouvez entendre de l'air attiré par la pompe pendant la fin de la vidange.

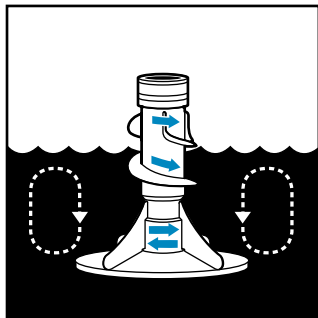
Après la vidange et avant l'essorage

Lorsque le programme change de vidange à essorage, vous pouvez entendre les engrenages qui s'enclenchent.

COMPRÉHENSION DE LA FONCTION DE CHAQUE PROGRAMME

Lorsqu'on tire le bouton des programmes après avoir placé l'index du bouton à la position désirée, la laveuse se remplit d'eau jusqu'au niveau choisi (correspondant au volume de la charge de linge) avant de se mettre en marche (agitation et chronométrage). L'agitation commence immédiatement après le remplissage, que le couvercle soit ouvert ou fermé.

Durant l'agitation, l'agitateur XTRA ROLL ACTION*



suscite une action continue de culbutage qui fournit un nettoyage en profondeur de la charge à laver.

Après le commencement de l'agitation, le bouton tourne dans le sens horaire jusqu'à la position Off (arrêt), qui correspond à la fin du programme.

REMARQUE : La laveuse effectue de brèves pauses au cours de chaque programme. Ceci est normal pour le fonctionnement de la laveuse.

Actions successives de la laveuse

LAVAGE	
	Remplissage
	Lavage : durée choisie
	Vidange† Sans agitation
	Essorage

† Pour le programme Pressage permanent, vidange partielle, remplissage, brève agitation et vidange.

RINÇAGE	
	Remplissage
	Rinçage
	Vidange-sans agitation
	Essorage-rinçage par arrosage
	Essorage
	Arrêt

ENTRETIEN DE LA LAVEUSE

Un entretien convenable de la laveuse en augmentera la longévité. Cette section explique comment assurer l'entretien convenable et en toute sécurité de la laveuse.

NETTOYAGE DE LA LAVEUSE

Extérieur



Essuyer immédiatement les résidus de détergent, agent de blanchiment et autres produits renversés, avec une éponge ou un linge doux humide. Essuyer occasionnellement les surfaces externes de la laveuse pour maintenir son aspect neuf.

Intérieur

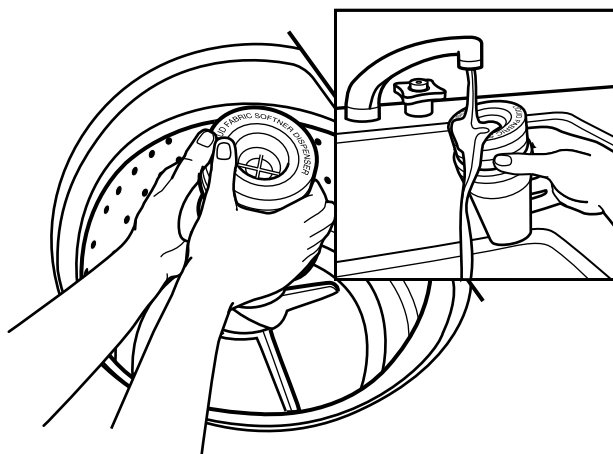
Nettoyer la surface intérieure en mélangeant 250 mL (1 tasse) d'agent de blanchiment chloré avec 500 mL (2 tasses) de détergent. Verser ce mélange dans la laveuse et faire exécuter à la laveuse un programme complet de lavage à l'eau chaude. Répéter cette opération si nécessaire.

REMARQUE : Pour éliminer les dépôts imputables à la dureté de l'eau, utiliser un produit de nettoyage sans danger pour la laveuse (ceci doit être indiqué sur l'étiquette).

Nettoyage du distributeur de liquide assouplissant de tissu

Rincer périodiquement le distributeur avec de l'eau tiède, tel qu'indiqué sur le dessin. Pour ôter le distributeur, saisir le sommet du distributeur avec les deux mains. Serrer et pousser vers le haut avec les pouces pour retirer le distributeur. Tenir le distributeur sous le robinet pour le nettoyer. Réinstaller le distributeur après l'avoir nettoyé.

REMARQUE : Ne pas laver de linge lorsque le distributeur a été retiré. Ne pas verser de détergent ou d'agent de blanchiment dans ce distributeur. Ce distributeur est destiné uniquement à l'assouplissant liquide de tissu.



PRÉPARATION AVANT UN DÉMÉNAGEMENT OU UN ENTREPOSAGE HIVERNAL

Installer et remiser la laveuse à un emplacement où elle ne sera pas exposée au gel. Comme il peut rester un résidu d'eau dans les tuyaux, le gel pourrait endommager la laveuse. Si la laveuse doit faire l'objet d'un déménagement ou être remise au cours d'une période hivernale, exécuter les opérations de préparation suivantes.

Préparation de la laveuse pour l'hiver :

1. Fermer les deux robinets d'arrivée d'eau.
2. Déconnecter et vider les tuyaux d'arrivée d'eau.
3. Verser dans la cuve 1 L (1 pinte) d'antigel pour véhicule récréatif.
4. Appuyer sur le bouton de sélection du programme et faire tourner le bouton pour sélectionner une opération de vidange (voir "Utilisation de la fonction vidange/essorage"). Laisser la laveuse fonctionner pendant environ 30 secondes pour que l'antigel se mélange à l'eau.
5. Débrancher le cordon d'alimentation électrique.

Avant de réutiliser la laveuse :

1. Rincer les tuyaux d'arrivée d'eau.
2. Reconnecter les tuyaux d'arrivée d'eau.
3. Ouvrir les deux robinets d'arrivée d'eau.
4. Rebrancher le cordon d'alimentation électrique.
5. Faire exécuter à la laveuse un programme de lavage complet avec 250 mL (1 tasse) de détergent, pour éliminer l'antigel.

Période d'inutilisation ou période de vacances :

On doit faire fonctionner la laveuse seulement lorsqu'on est présent sur place. Si les utilisateurs doivent partir en vacances ou ne pas utiliser la laveuse pendant une période prolongée, il convient d'exécuter les opérations suivantes :

- Débrancher le cordon d'alimentation électrique ou ouvrir le disjoncteur qui alimente la laveuse.
- Fermer les robinets d'arrivée d'eau. Ceci évitera les risques d'inondation (à l'occasion d'une surpression) au cours de la période d'absence.

DIAGNOSTIC

On peut facilement résoudre la plupart des problèmes de lavage si on en connaît la cause. Vérifier la liste suivante des **problèmes ordinaires de lavage**. Si vous avez besoin d'une assistance supplémentaire, voir "Demande d'assistance ou de service".

PROBLÈMES DE LAVAGE ORDINAIRES

Problème ...	Cause ...	Solution ...
Fuites d'eau de la laveuse REMARQUE : Après avoir vérifié ces détails, vérifier la plomberie de la maison	<ul style="list-style-type: none">● Tuyau de remplissage mal serré.● Joints des tuyaux de remplissage incorrectement placés.● Tuyau d'évacuation mal installé ou détaché.● Tuyau d'évacuation obstrué.● La cuve s'est déplacée vers l'avant durant le déchargement, entraînant l'écoulement hors de la cuve.● Aplomb de la laveuse incorrect entraînant l'écoulement hors de la cuve.● L'eau de rinçage et de remplissage gicle à partir de la charge. La laveuse est surchargée ou la charge est déséquilibrée.	<ul style="list-style-type: none">● Serrer les tuyaux. Voir Instructions d'installation.● Repositionner les joints de remplissage. Voir Instructions d'installation.● Bien fixer le tuyau avec la bride.● Enlever l'obstruction du tuyau d'évacuation. L'évier et le tuyau de vidange doivent pouvoir traiter 64,6 L (17 gallons) d'eau à la minute.● S'assurer que la cuve est centrée avant de mettre la laveuse en marche.● S'assurer que les pieds avant sont installés et les écrous bien serrés. Mettre la laveuse d'aplomb.● Redistribuer la charge ou réduire la quantité de la charge.
Mauvaise action de vidange/essorage	<ul style="list-style-type: none">● Tuyau d'évacuation obstrué.● Couvercle ouvert.● Extrémité du tuyau d'évacuation située à plus de 190,9 cm (72 po) au-dessus du sol.● Trop de détergent – blocage par excès de mousse.● Tension électrique insuffisante ou utilisation d'un cordon de rallonge.	<ul style="list-style-type: none">● Déboucher le tuyau. Voir Instructions d'installation pour la bonne installation du tuyau de vidange.● Fermer le couvercle.● Abaisser le tuyau d'évacuation.● Utiliser moins de détergent.● Vérifier la source électrique ou faire venir un électricien. Ne pas utiliser un cordon de rallonge.
Charges mouillées	<ul style="list-style-type: none">● Programme inapproprié pour la charge à laver.● Rinçages froids.	<ul style="list-style-type: none">● Choisir un programme avec une vitesse d'essorage plus élevée.● Les rinçages froids laissent les charges plus mouillées que les rinçages tièdes. Ceci est normal.

PROBLÈMES DE LAVAGE ORDINAIRES (SUITE)

Problème ...	Cause ...	Solution ...
<p>La laveuse continue de se remplir/vider ou le programme est bloqué</p> <p>REMARQUE : La laveuse fait de brèves pauses au cours de chaque programme. Ceci est normal</p>	<ul style="list-style-type: none"> ● Le sommet du tuyau d'évacuation est plus bas que le niveau d'eau dans la laveuse. ● Le tuyau d'évacuation est trop serré dans le tuyau rigide. ● Le tuyau d'évacuation est fixé par ruban gommé au tuyau rigide d'évacuation. 	<ul style="list-style-type: none"> ● Relever le tuyau d'évacuation. Il doit être plus haut pour un bon fonctionnement. ● Ajuster le tuyau d'évacuation pour le dégager mais aussi bien le fixer. Voir Instructions d'installation. ● Ne pas sceller le tuyau d'évacuation avec ruban gommé. Le tuyau a besoin d'un peu de jeu.
<p>La laveuse fait du bruit</p>	<ul style="list-style-type: none"> ● Charge déséquilibrée. ● Aplomb de la laveuse incorrect. ● Écrous aux pieds avant non serrés. ● La courroie jaune d'expédition avec protubérances non complètement enlevée. ● Engagement des engrenages après la vidange et avant l'essorage. ● La partie supérieure de l'agitateur fait un bruit durant le lavage. 	<ul style="list-style-type: none"> ● Redistribuer la charge. ● Mettre la laveuse d'aplomb. Régler de nouveau les pieds de nivellement à l'arrière. Voir Instructions d'installation. ● Serrer les écrous. ● Voir Instructions d'installation. ● Ceci est normal. ● Ceci est normal.
<p>Absence de remplissage/rinçage/agitation ou température incorrecte</p>	<ul style="list-style-type: none"> ● Cordon électrique non branché. ● La minuterie n'est pas bien alignée. ● Tamis des valves d'entrée d'eau obstrués. ● Robinets d'arrivée d'eau fermés. ● Inversion des tuyaux d'arrivée d'eau chaude et d'eau froide. ● Tuyau d'alimentation écrasé. 	<ul style="list-style-type: none"> ● Brancher le cordon électrique. ● Tourner la minuterie légèrement vers la droite et tirer pour la mise en marche. ● Nettoyer les filtres. ● Ouvrir les robinets d'eau. ● Inverser les tuyaux. ● Redresser les tuyaux.
<p>La laveuse s'arrête</p>	<ul style="list-style-type: none"> ● Cordon d'alimentation non branché. ● Aucune électricité à la prise de courant. ● Fusible grillé ou disjoncteur ouvert. ● Utilisation d'un cordon de rallonge. ● La minuterie n'est pas bien alignée. ● Le bouton de la minuterie n'est pas tiré. 	<ul style="list-style-type: none"> ● Brancher le cordon électrique. ● Vérifier la source d'électricité ou faire venir un électricien. ● Remplacer les fusibles ou fermer le circuit. Si le problème persiste, faire venir un électricien. ● Ne pas utiliser un cordon de rallonge. ● Tourner la minuterie légèrement vers la droite et tirer pour la mise en marche. ● Régler et tirer le bouton.

suite à la page suivante

PROBLÈMES DE LAVAGE ORDINAIRES (SUITE)

Problème ...	Cause ...	Solution ...
La laveuse s'arrête (suite)	<ul style="list-style-type: none"> ● Pause de la laveuse pendant le programme de pressage permanent (environ 2 minutes). ● La laveuse est surchargée. 	<ul style="list-style-type: none"> ● Laisser le programme se poursuivre. ● Laver de plus petites charges.
Opération de l'agitateur	<ul style="list-style-type: none"> ● Le sommet de l'agitateur bouge seulement dans une direction. ● Le sommet de l'agitateur est délogé. 	<ul style="list-style-type: none"> ● Ceci est normal. ● Ceci est normal.
Le niveau d'eau semble trop bas ou le remplissage de la laveuse est incomplet	<ul style="list-style-type: none"> ● Le sommet de l'agitateur est beaucoup plus haut que le niveau maximum de l'eau. Ceci crée l'impression que la laveuse n'est pas pleine. 	<ul style="list-style-type: none"> ● Ceci est normal.
Position incorrecte de la cuve	<ul style="list-style-type: none"> ● La cuve est tirée vers l'avant lors du déchargement. ● La cuve se déplace. ● La laveuse n'est pas d'aplomb. 	<ul style="list-style-type: none"> ● Pousser la cuve pour la centrer avant la mise en marche de la laveuse. ● Ceci est normal. ● Vérifier que les pieds avant sont installés et les écrous bien serrés. Mettre la laveuse d'aplomb. Régler de nouveau les pieds de nivellement à l'arrière. Voir Instructions d'installation.
Résidu ou charpie sur le linge	<ul style="list-style-type: none"> ● Tri incorrect du linge. ● Charge excessive. ● Résidu de papier ou mouchoir de papier dans les poches. ● Quantité insuffisante de détergent. ● Le détergent ne se dissout pas. ● Eau de lavage plus froide que 21°C (70°F). 	<ul style="list-style-type: none"> ● Trier le linge qui forme de la charpie (serviettes, chenille) du linge qui attrape la charpie (velours côtelé, synthétique). Assortir aussi les couleurs. ● Si la charge est excessive, elle peut piéger les particules de charpie. Laver de plus petites charges. ● Vider les poches avant le lavage. ● Utiliser une quantité suffisante de détergent pour maintenir la charpie en suspension dans l'eau. ● Utiliser de l'eau de lavage plus chaude que 21°C (70°F). ● Utiliser de l'eau de lavage plus chaude que 21°C (70°F).
Déchirure	<ul style="list-style-type: none"> ● Charge excessive. Utilisation incorrecte de la laveuse. 	<ul style="list-style-type: none"> ● Les charges de linge doivent se déplacer librement pendant le lavage. Laver de plus petites quantités.

PROBLÈMES DE LAVAGE ORDINAIRES (SUITE)

Problème ...	Cause ...	Solution ...
Déchirure (suite)	<ul style="list-style-type: none"> ● Utilisation incorrecte de l'agent de blanchiment chloré. ● Articles acérés présents dans les poches; fermeture éclair non fermée. ● Articles endommagés avant le lavage. 	<ul style="list-style-type: none"> ● Ne pas verser l'agent de blanchiment chloré directement sur le linge. Essuyer les renversements. L'agent de blanchiment non dilué endommagera les tissus. ● Vider les poches avant le lavage. Fermer les fermetures éclair avant le lavage. ● Réparer les déchirures et fils brisés dans les coutures avant le lavage.
Présence de taches sur le linge	<ul style="list-style-type: none"> ● Utilisation incorrecte de l'assouplissant de tissu. ● Présence de fer (rouille) dans l'eau. ● Utilisation insuffisante de détergent entraînant le dépôt de la saleté. ● Transfert de teinture après un tri fait incorrectement. ● Transfert de teinture du fait du déchargement tardif de la laveuse. 	<ul style="list-style-type: none"> ● Diluer l'assouplissant de tissu et ajouter à la portion de rinçage du programme seulement. Ne pas laisser dégoutter l'assouplissant de tissu sur le linge. ● Installer un filtre à fer. ● Utiliser suffisamment de détergent pour enlever la saleté et la tenir en suspension. ● Séparer le linge de teinte foncée, des articles blancs ou clairs. ● Décharger la laveuse dès la fin du programme.
Linge froissé	<ul style="list-style-type: none"> ● Enlèvement tardif du linge. ● Mauvais programme pour les tissus à laver. ● Charge excessive. ● Eau de lavage insuffisamment tiède pour défaire le froissement. Utilisation de rinçages tièdes. ● Tuyaux d'eau inversés. 	<ul style="list-style-type: none"> ● Décharger la laveuse aussitôt qu'elle s'arrête. ● Utiliser les programmes avec vitesse lente d'essorage pour réduire le froissement ou le programme de pressage permanent. ● Les charges doivent se déplacer librement durant le lavage. Laver des charges plus petites. ● Si approprié pour le tissu, utiliser un lavage à l'eau tiède ou à l'eau chaude avec rinçages à l'eau froide. ● Inverser les tuyaux d'eau.
Linge emmêlé	<ul style="list-style-type: none"> ● Chargement excessif ● Vêtements enroulés autour de l'agitateur. 	<ul style="list-style-type: none"> ● Les charges doivent se déplacer librement. Laver des charges plus petites. ● Ne pas enrouler les articles autour de l'agitateur.
Distributeurs obstrués ou fuite d'agent de blanchiment	<ul style="list-style-type: none"> ● Assouplissant non dilué. ● Utilisation d'agent de blanchiment sans danger pour les couleurs dans le distributeur d'agent de blanchiment chloré. 	<ul style="list-style-type: none"> ● Diluer l'assouplissant de tissu dans le distributeur. ● Ajouter un agent de blanchiment en poudre ou liquide sans danger pour les couleurs directement au panier. Ne pas utiliser un distributeur d'agent de blanchiment chloré pour un agent de blanchiment sans danger pour les couleurs.

suite à la page suivante

PROBLÈMES DE LAVAGE ORDINAIRES (SUITE)

Problème ...	Cause ...	Solution ...
Distributeurs obstrués ou fuite d'agent de blanchiment (suite)	<ul style="list-style-type: none"> ● Utilisation incorrecte de l'agent de blanchiment chloré. 	<ul style="list-style-type: none"> ● Toujours mesurer l'agent de blanchiment avant de l'ajouter au distributeur. Verser prudemment dans le distributeur. Essuyer tout renversement d'agent de blanchiment.
Blancs grisâtres, couleurs défraîchies.	<ul style="list-style-type: none"> ● Transfert de teinture. ● Température de lavage trop basse. ● Quantité insuffisante de détergent. ● Eau dure. 	<ul style="list-style-type: none"> ● Séparer le linge foncé du linge blanc et pâle. ● Utiliser les lavages à l'eau chaude ou tiède si sans danger pour le tissu. L'eau chaude devrait être au moins à 54°C (130°F) pour nettoyer la saleté intense ou grasseuse. ● Utiliser plus de détergent pour laver la saleté intense à l'eau froide ou à l'eau dure. ● Utiliser plus de détergent lors de lavages dans l'eau dure.

DEMANDE D'ASSISTANCE OU DE SERVICE

Avant de faire un appel pour assistance ou service, veuillez vérifier la section "Diagnostic". Cette action peut vous faire économiser le coût d'un appel de service. Si vous avez encore besoin d'assistance, suivre les instructions ci-dessous.

SI VOUS AVEZ BESOIN D'ASSISTANCE OU DE SERVICE

1. Si le problème n'est pas attribuable à l'une des causes indiquées dans "Diagnostic"[†] ...



Communiquer avec le marchand où vous avez acheté votre appareil électroménager, ou téléphoner à Inglis Limitée au Centre d'assistance aux consommateurs, sans frais d'interurbain, entre **8 h 30 et 18 h 00 (HNE)**, en composant **1-800-461-5681**.

Veuillez inclure un numéro de téléphone où l'on peut vous joindre le jour.

2. Si vous avez besoin de service[†] ...

Communiquer avec votre succursale ou établissement de service autorisé de Inglis Limitée la plus proche pour l'entretien de votre appareil. (Voir liste ci-dessous.)

[†] Lorsque vous demandez de l'assistance ou un service, veuillez fournir une description détaillée du problème, les numéros complets du modèle et de série de l'appareil, et la date d'achat. (Voir "Félicitations".) Ces renseignements nous aideront à mieux répondre à votre demande.

Service d'appareils ménagers Inglis Limitée – Service aux consommateurs

Succursales de service direct :

COLOMBIE-BRITANNIQUE		1-800-665-6788
ALBERTA		1-800-661-6291
ONTARIO (à l'exception du code régional 807)	Région d'Ottawa En dehors de la région d'Ottawa	1-800-267-3456 1-800-807-6777
MANITOBA, SASKATCHEWAN et code régional 807 en ONTARIO		1-800-665-1683
QUÉBEC	Montréal (à l'exception de la rive sud) Rive Sud Montréal Québec Sherbrooke	1-800-361-3032 1-800-361-0950 1-800-463-1523 1-800-567-6966
PROVINCES DE L'ATLANTIQUE		1-800-565-1598

POUR PLUS D'ASSISTANCE

Si vous avez besoin de plus d'assistance, vous pouvez écrire à Inglis Limitée en soumettant toute question ou préoccupation au :

Service des relations avec la clientèle
Inglis Limitée
1901 Minnesota Court
Mississauga, Ontario L5N 3A7

Veuillez indiquer dans votre correspondance un numéro de téléphone où l'on peut vous joindre le jour.

INDEX

Cet index est alphabétique. Cherchez les mots ou rubriques qui vous intéressent et identifiez ensuite le numéro de la page correspondante.

SUJET	PAGE	SUJET	PAGE
ASSISTANCE	21	Sélection d'un programme	9 à 12
BRUITS	12	Sélection de la température	7
CARACTÉRISTIQUES ET PIÈCES	5	Utilisation de la laveuse	6
CHARGEMENT	8	Utilisation des distributeurs	6, 7
DIAGNOSTIC	16	GARANTIE	24
DISTRIBUTEURS		NETTOYAGE	
Agent liquide de blanchiment chloré	6	Distributeur de liquide assouplissant de tissu	14
Liquide assouplissant de tissu	7 et 14	Extérieur	14
ENTREPOSAGE HIVERNAL	15	Intérieur	14
FILTRE À CHARPIE	12	PIÈCES ET CARACTÉRISTIQUES	5
FONCTIONNEMENT DE LA LAVEUSE		PROGRAMMES	9 à 12
Arrêt et mise en marche	8	RINÇAGE SUPPLÉMENTAIRE	7
Sélection de la charge	8	RINÇAGE/VIDANGE ET ESSORAGE	12
		SÉCURITÉ	3 et 4

POR RENSEIGNEMENTS AU SUJET DE LA GARANTIE AU CANADA

Veillez contacter votre marchand autorisé Whirlpool ou téléphoner au Centre d'assistance aux consommateurs en composant 1-800-461-5681 (sans frais) entre 8 h 30 et 18 h HNE de partout au Canada.

DEMANDE D'ASSISTANCE OU DE SERVICE AU CANADA

Si vous avez besoin d'assistance ou de service au Canada, voir d'abord la section "Diagnostic" de ce manuel. Après avoir vérifié la section "Diagnostic", une autre aide peut être trouvée en vérifiant la section "Demande d'assistance ou de service".

Free Manuals Download Website

<http://myh66.com>

<http://usermanuals.us>

<http://www.somanuals.com>

<http://www.4manuals.cc>

<http://www.manual-lib.com>

<http://www.404manual.com>

<http://www.luxmanual.com>

<http://aubethermostatmanual.com>

Golf course search by state

<http://golfingnear.com>

Email search by domain

<http://emailbydomain.com>

Auto manuals search

<http://auto.somanuals.com>

TV manuals search

<http://tv.somanuals.com>