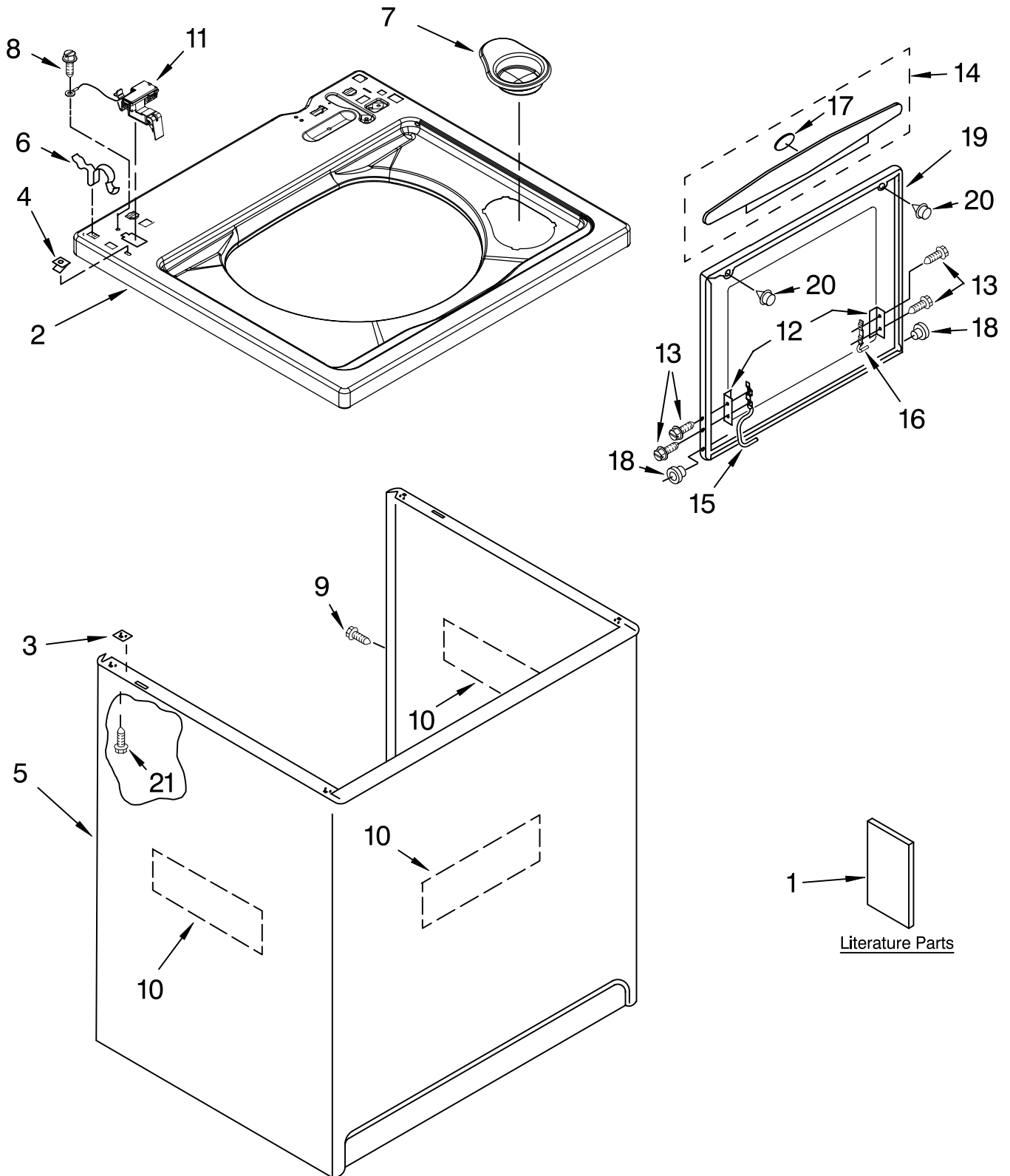




# TOP AND CABINET PARTS

For Model: 3RGSC9400RL0  
(Pewter)

AUTOMATIC  
WASHER



FOR ORDERING INFORMATION REFER TO PARTS PRICE LIST

# TOP AND CABINET PARTS

For Model: 3RGSC9400RL0

(Pewter)

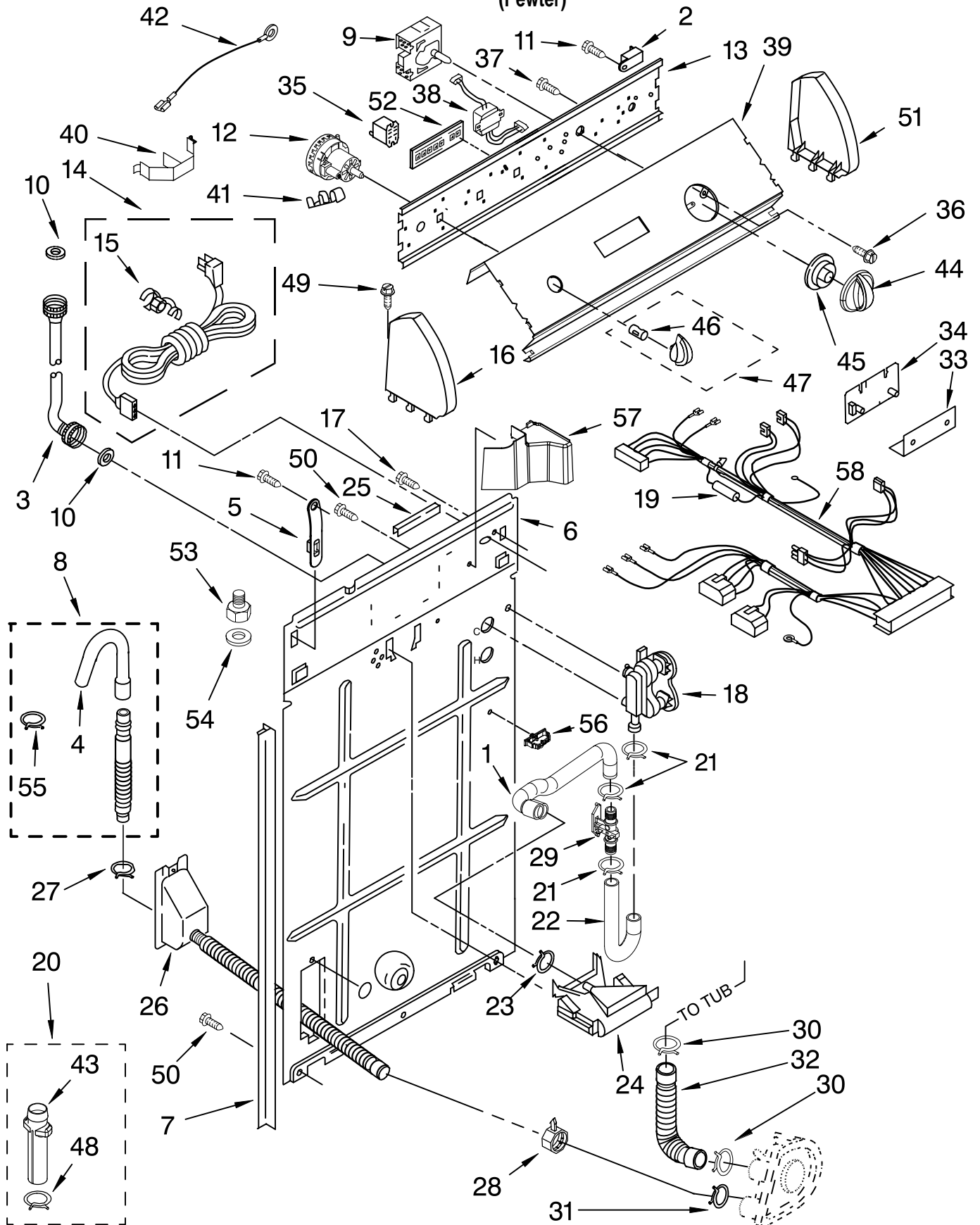
<b>Illus. No.</b>	<b>Part No.</b>	<b>DESCRIPTION</b>
1		Literature Parts
	8318424	Installation Instructions
	8315977	Use & Care Guide
	3954736	Wiring Diagram
	8315975	Installation & User Guide
2	3957075	Top
3	62750	Spacer, Cabinet To Top (4)
4	357213	Nut, Push-In (2)
5	3956112	Cabinet
6	62780	Clip, Top & Cabinet & Rear Panel (2)
7	8566266	Dispenser, Bleach
8	3351614	Screw, Ground
9	3357011	Screw, 10-16 x 1/2
10	3976348	Sound Dampener, Cabinet (3)
11	8318084	Switch, Lid
12	21097	Pad, Lid Hinge (2)
13	355274	Screw, Lid Hinge Mounting (4)
14	3957287	Handle, Lid
15	8559336	Hinge, Lid (L.H.)
16	91770	Hinge, Lid (R.H.)
17	3957286	Insert, Handle
18	8319539	Bearing, Lid Hinge (2)
19	8577123	Lid
20	9724509	Bumper, Lid (2)
21	3390631	Screw, 10-16 x 3/8 (4)

FOR ORDERING INFORMATION REFER TO PARTS PRICE LIST

# CONTROLS AND REAR PANEL PARTS

For Model: 3RGSC9400RL0

(Pewter)



FOR ORDERING INFORMATION REFER TO PARTS PRICE LIST

# CONTROLS AND REAR PANEL PARTS

For Model: 3RGSC9400RL0

(Pewter)

Illus. No.	Part No.	DESCRIPTION	Illus. No.	Part No.	DESCRIPTION	Illus. No.	Part No.	DESCRIPTION
1	3349365	Hose, Sensor (Upper)	17	3351614	Screw, Ground	42	3398893	Wire, Ground
2	3952439	Mini-Buzzer	18	3360397	Valve, Water Mixing	43	3363920	Adapter, Drain Hose
3	3949382	Hose, Water Inlet Red	19	3951198	Fuse (In Harness)	44	8544945	Knob, Timer
	3949383	Blue	20	285750	Kit, Adapter	45	8544947	Dial, Timer
4	3357027	Nozzle-Drain Hose	21	370451	Clamp, Hose	46	8536939	Clip, Knob
5	8568314	Strap, Console (2)	22	3357319	Hose, Vacuum Break	47	8544937	Knob, Control
6	8318405	Panel, Rear	23	371503	Clamp, Hose	48	356138	Clamp, Hose
7	62747	Pad, Rear Panel	24	387606	Break, Vacuum	49	388326	Screw, 8-18 x 1.25 (Panel to Top)
8	3951609	Hose, Drain (4 ft.)	25	303294	Edge Protector	50	62863	Screw, 10-16 x 3/8
	661577	Hose, Drain (9 ft.) (Not Included)	26	8317959	Assembly, Drain Hose	51	8541779	Cap, End (R.H.)
	3357090	Extension, Drain Hose (21 Inches.) (Not Included)	27	3366912	Clamp, Hose	52	8546302	Switch, Clean Touch (7 Pad)
9	3954781	Timer, Control (50 Hz.) (Motor Not A Service Part)	28	3976395	Clamp, Hose	53	3357397	Adapter, Water Inlet Hose
	3976300	Washer, Water Inlet Hose (4) (1-1/16 x 5/8)	29	3352282	Sensor, Inline	54	3976290	Washer, Inlet Hose Adapter
11	90767	Screw, 8-18 x 3/8	30	3363366	Clamp, Hose	55	3366913	Clamp, Drain Hose
12	3366845	Switch, Water Level	31	8317496	Clamp, Hose	56	3352944	Clip, Harness
13	3950194	Bracket, Control	32	3951449	Hose, Pump To Tub	57	8314879	Shield, Inlet Valve
14	8316047	Cord, Power	33	8316039	Shield, ATC	58	3957869	Harness, Wiring (For Detail See Pages 9 & 10)
15	3949468	Strain Relief, Power Cord	34	3407159	Control, ATC			
16	8541780	Cap, End (L.H.)	35	3388228	Screw (2)			
			36	3952442	Relay (240 VAC)			
			37	3400818	Screw, Timer Mounting			
			38	3179795	Screw, Ground			
			39	3407160	Transformer			
			40	8565453	Panel, Console			
			41	8055003	Clip, Harness & Pressure Hose			
				357572	Clip, Grounding			

**FOLLOWING PARTS  
NOT ILLUSTRATED**

8541754 Miscellaneous Parts Bag

FOR ORDERING INFORMATION REFER TO PARTS PRICE LIST



# AGITATOR, BASKET AND TUB PARTS

For Model: 3RGSC9400RLO

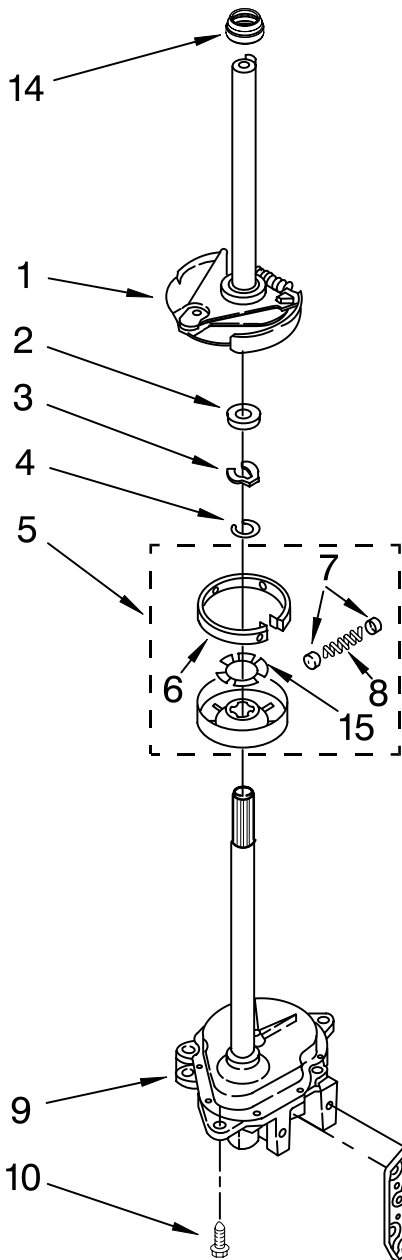
(Pewter)

<b>Illus. No.</b>	<b>Part No.</b>	<b>DESCRIPTION</b>
1	63580	Dispenser
2	358237	Screw & Washer (5/16-24 x 1)
3	3363003	Clothes Mover
4	3951632	Agitator
5	8528150	Tub Ring & Gasket
6	3976308	Gasket, Tub Ring
7	3354845	Clip, Agitator
8	3952374	Bearing, Driven Cam
9	3951682	Cam Driven
10	3366877	Dog, Agitator Clutch (4)
11	2219077	Clip, Pressure Switch Hose
12	21366	Nut, Spanner
13	8526016	Basket & Balance Ring
14	8519788	Balance Ring
15	8543666	Washer, Agitator
16	63849	Tub
17	389140	Block, Basket Drive
18	383727	Gasket, Centerpost
19	3347780	Hose, Pressure Switch
20	3951744	Agitator (Complete)
22	3951608	Spacer, Thrust
23	3354733	Cap, Barrier
24	3348855	Seal, Inner Cap
26	3949550	Washer

FOR ORDERING INFORMATION REFER TO PARTS PRICE LIST

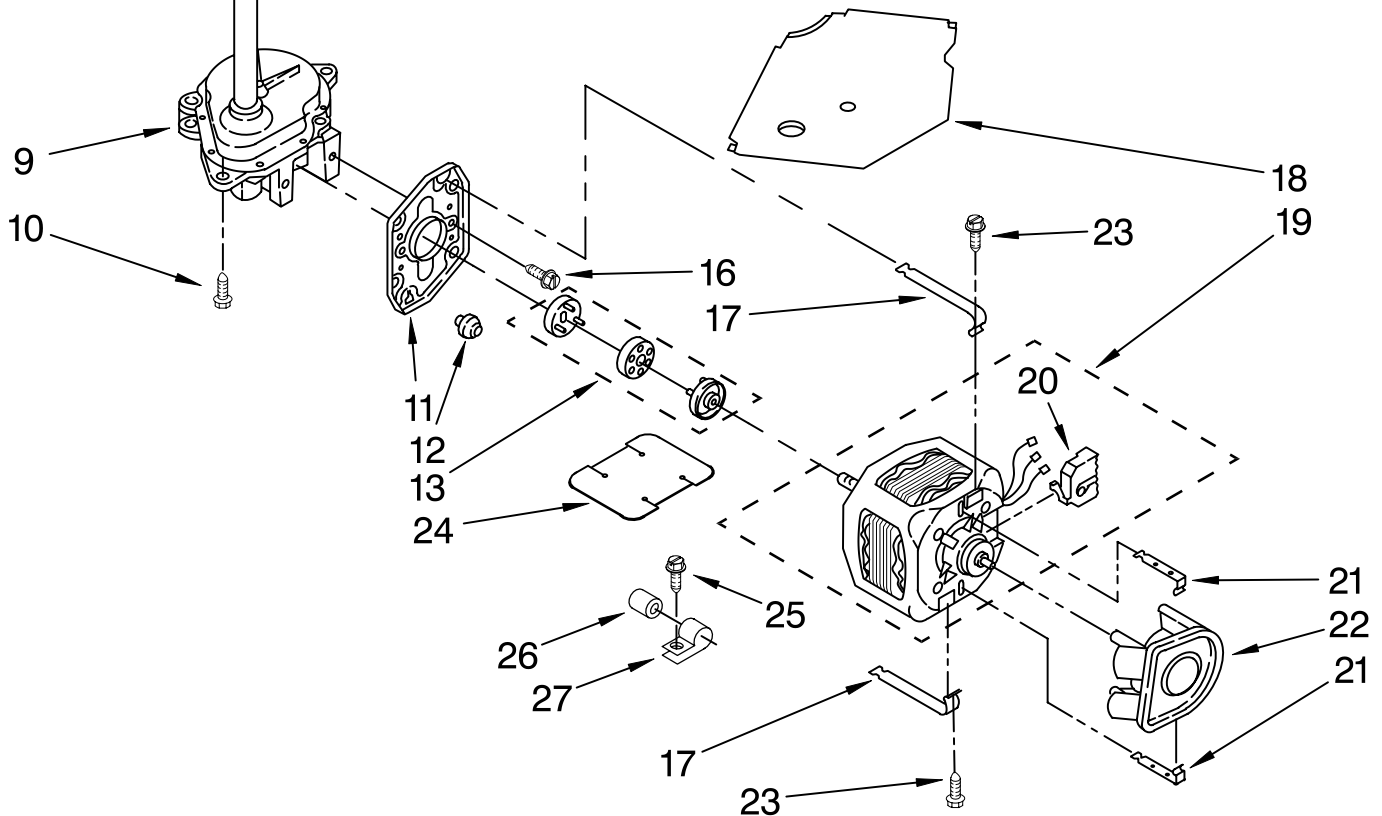
# BRAKE, CLUTCH, GEARCASE, MOTOR AND PUMP PARTS

For Model: 3RGSC9400RL0  
(Pewter)



Illus. No.	Part No.	DESCRIPTION
1	388952	Brake & Drive Tube (Complete) (Refer to Page 11 For Further Breakdown)
2	63292	Washer, Spin Tube Thrust
3	62697	Ring, Spin Tube Support
4	63283	Ring, Retainer
5	3951311	Clutch (Complete)
6	3951308	Band & Lining, Clutch (Includes Items 7 & 8)
7	62646	Cap, Clutch Spring (2)
8	3946792	Spring, Clutch
9	3949118	Gearcase (Complete) (Refer To Page 12 For Further Breakdown)
10	3357334	Screw, Gearcase To Base (3)

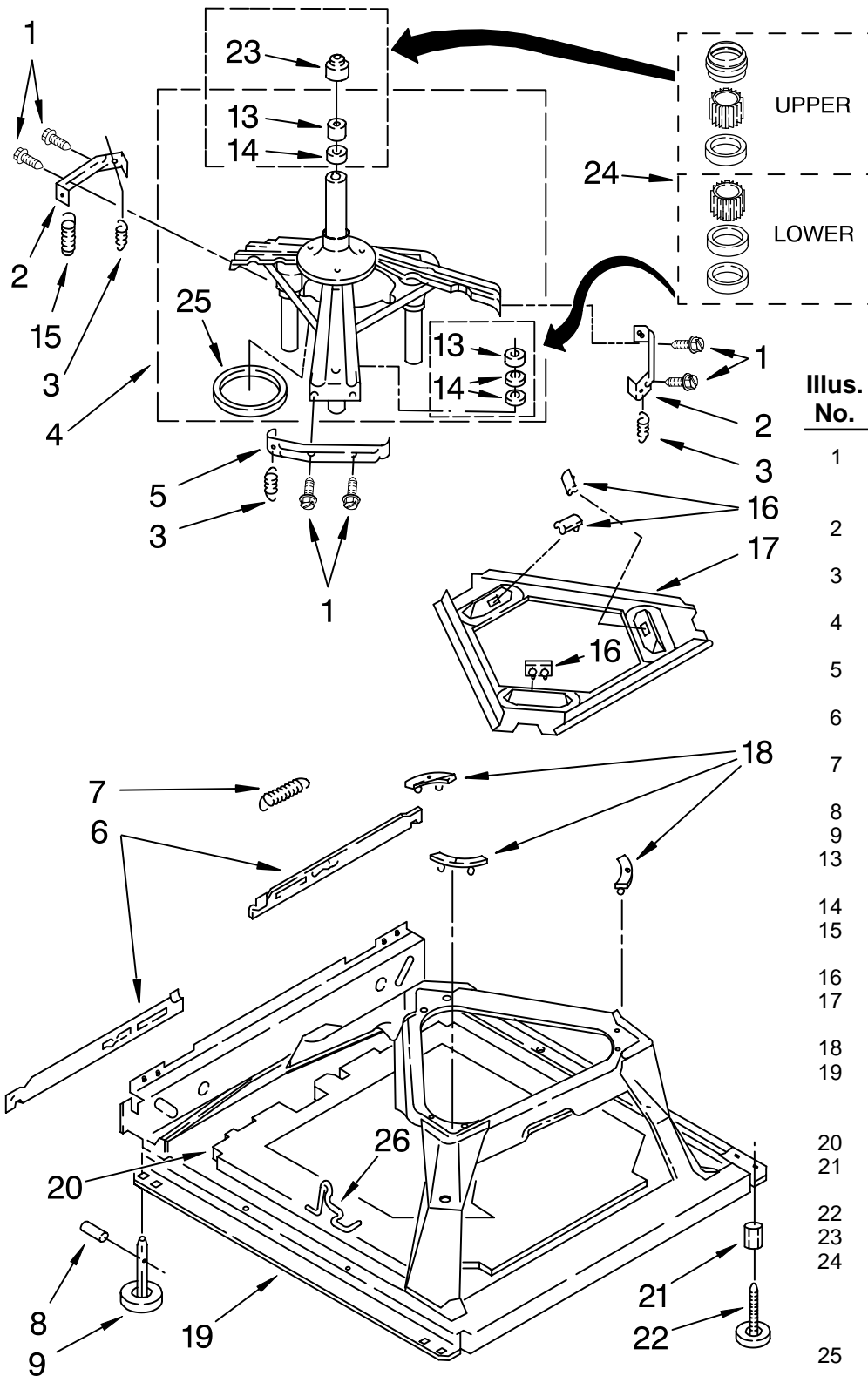
Illus. No.	Part No.	DESCRIPTION
11	62611	Plate, Motor Mount To Gearcase
12	62691	Grommet, Motor (4)
13	285753	Coupling, Motor & Isolation
14	8577374	Seal
15	3355454	Clip, Anti-Rattle
16	3400516	Screw
17	3349637	Retainer, Motor (2)
18	3362089	Shield, Tub To Motor
19	3950297	Motor, Main Drive
20	8529896	Switch, Main Drive Motor
21	8546127	Retainer, Pump (2)
22	3363394	Pump (Complete)
23	3387485	Screw, 10-16 x 5/8
24	8316060	Shield, Motor
25	62863	Screw, 10-16 x 5/16
26	8572719	Capacitor
27	3949496	Clamp, Capacitor



FOR ORDERING INFORMATION REFER TO PARTS PRICE LIST

# MACHINE BASE PARTS

For Model: 3RGSC9400RL0  
(Pewter)



Illus. No.	Part No.	DESCRIPTION
1	3400076	Screw, Bracket Mounting (10-32 x 5/8)
2	64067	Bracket, Spring Outer (2)
3	63907	Spring Suspension,(3)
4	8575214	Support & Brake, Tub
5	64065	Bracket, Spring Outer (L.F.)
6	63466	Link, Leveling Mechanism (2)
7	62597	Spring, Leveling Mechanism
8	62837	Pin, Knurled
9	62596	Foot, Rear (2)
13	8546455	Bearing, Centerpost (2)
14	357409	Seal, Centerpost (3)
15	388492	Spring, Counterweight
16	62568	Pad, Plate
17	3946509	Plate, Suspension (Includes Item 16)
18	3363660	Pad, Base
19	3946512	Base Assembly (Includes Items 6, 7, 8, 9, 18 & 26)
20	8544816	Sound Absorber
21	3359452	Nut, Lock (2) (3/8-16)
22	389102	Foot, Front (2)
23	8577376	Seal, Centerpost
24	285203	Centerpost Bearing Kit (Includes Items 13, 14 & 23)
25	63134	Ring, Sound Deadening
26	63806	Retainer, Suspension Spring

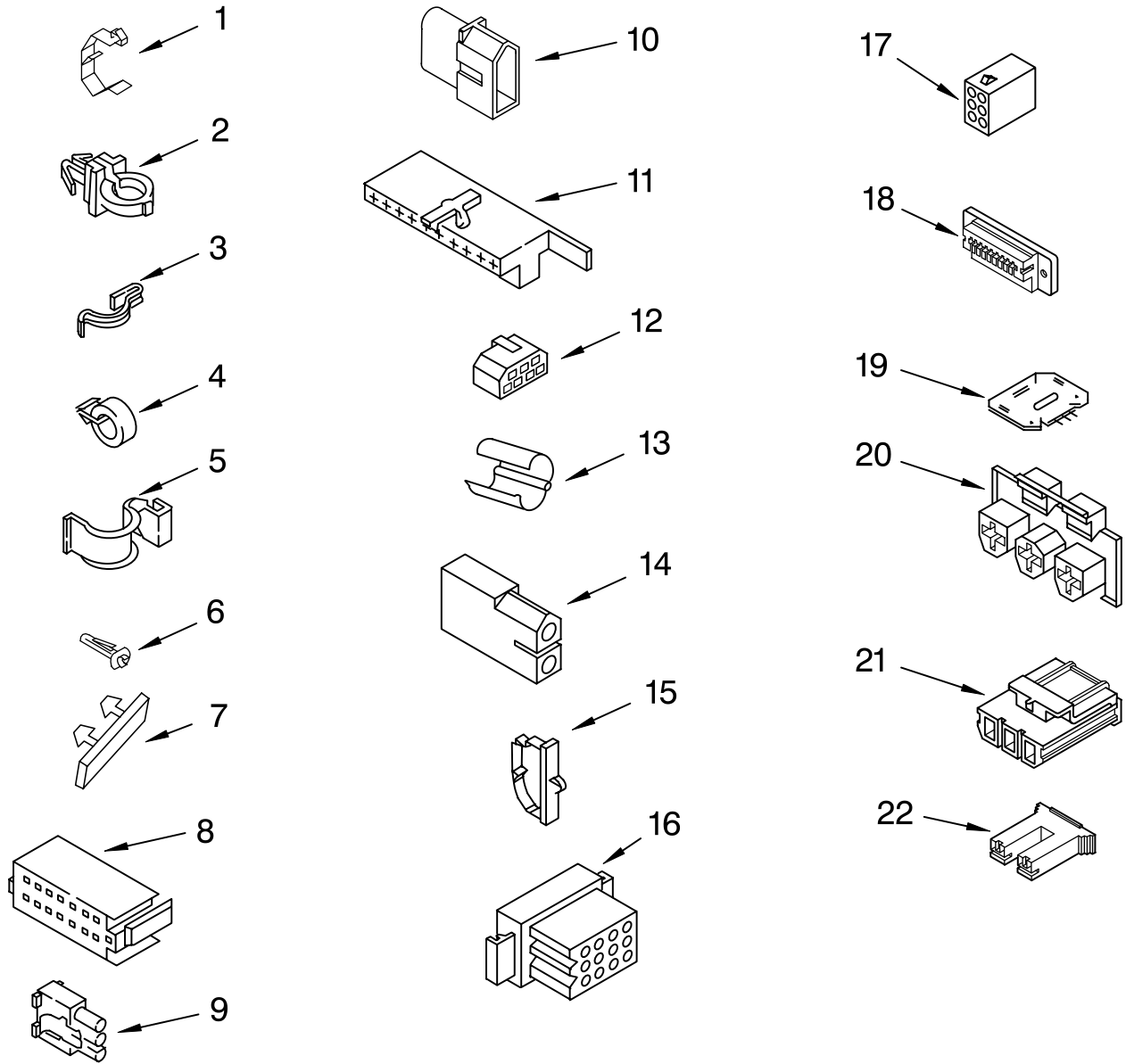
FOR ORDERING INFORMATION REFER TO PARTS PRICE LIST



# WIRING HARNESS PARTS

For Model: 3RGSC9400RL0

(Pewter)



WH2I

FOR ORDERING INFORMATION REFER TO PARTS PRICE LIST

# WIRING HARNESS PARTS

For Model: 3RGSC9400RL0  
(Pewter)

Illus. No.	Part No.	DESCRIPTION	Illus. No.	Part No.	DESCRIPTION	Illus. No.	Part No.	DESCRIPTION
1	3349557	Clip, Harness	10	353424	Plug, Terminal (3-Way) (Power Cord) (Use Term.94613)	17	3347730	Receptacle (6-Way) (Use Term. 94613)
2	388498	Clip, Harness				18	3349494	Connector, Etc
3	3347812	Clip, Harness	11	62505	Block, Disconnect (Motor 2 Speed) (Use Term.352088)	19	3407125	E.T.C. Control
4	3352501	Clip, Harness	12	3347243	Block, Disconnect (Use Term. 352088)	20	3948617	Connector (T.P.A.) (3-Circuit) (Lid Switch)
5	90016	Clip, Harness	13	63523	Protector	21	3360056	Connector (T.P.A.) (3-Circuit) (Pressure Switch)
6	3390496	Clip, Harness	14	717252	Connector (2-Way) (Use Term.94614)	22		Block, Connector
7	389379	Retainer, (Suds Models)	15	3352944	Clip, Harness		3354925	Cold Valve
8		Timer, Block Disconnect	16	3390423	Block, Disconnect (12-Way) (Timer) (Use Term. 94613)		3354926	Hot Valve
	3948614	White						
	352089	Black						
9	62889	Receptacle, Terminal (3-Way) (Lid Switch) (Use Term.94613) Or 94614.)						

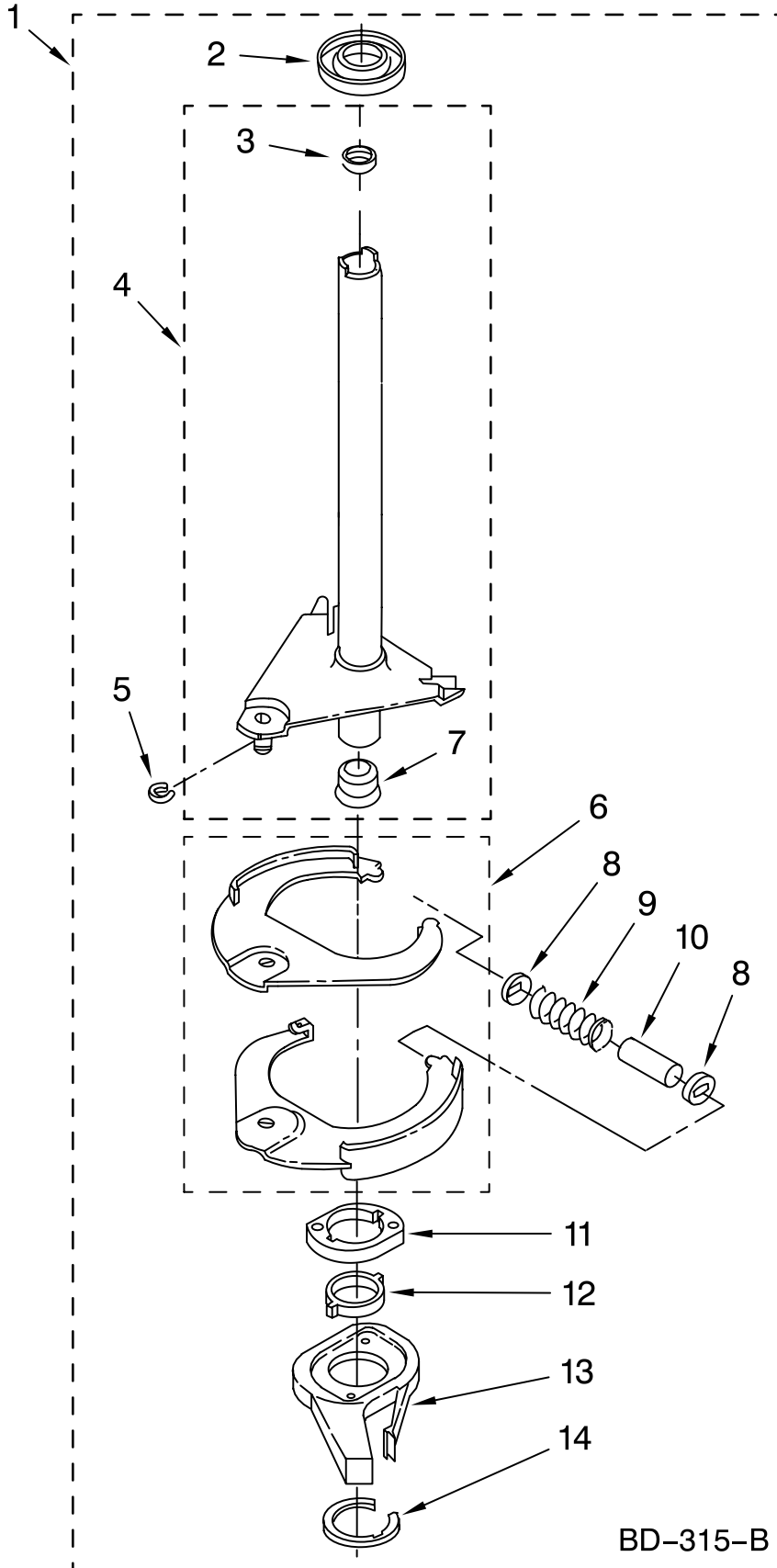
**FOR COMPLETE WIRING HARNESS REFER TO  
CONTROL AND REAR PANEL PARTS PAGE**

WH2I

FOR ORDERING INFORMATION REFER TO PARTS PRICE LIST

# BRAKE AND DRIVE TUBE PARTS

For Model: 3RGSC9400RL0  
(Pewter)



Illus. No.	Part No.	DESCRIPTION
------------	----------	-------------

1	388952	Brake And Drive Tube (Complete)
2	62658	Ring, Thrust
3	356427	Seal, Drive Tube
4	64027	Tube, Basket Drive (Includes Illus. 3, 4, 5 & 9)
5	64035	Ring, Retaining
6	64232	Shoe, Brake (2)
7	62703	"T" Bearing, Spin Tube
8	3353956	Cap, Brake Spring (2)
9	387806	Spring, Brake
10	3355360	Sleeve, Brake Spring
11	661516	Cam, Brake Release
12	63022	Sleeve, Cam
13	64194	Driver, Brake Cam
14	90368	Ring, Retaining

FOLLOWING PARTS NOT ILLUSTRATED

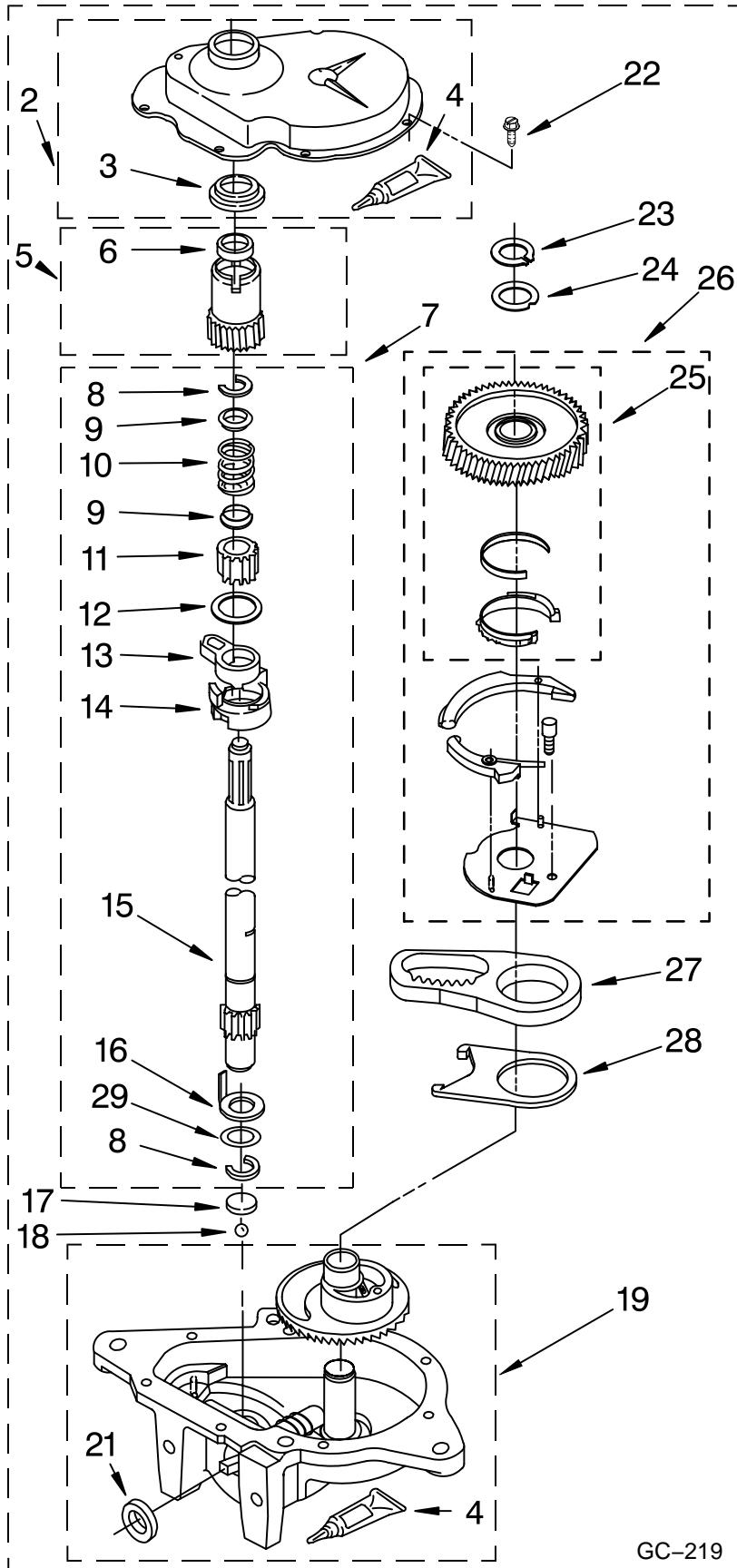
285208 Lubricant  
(Use Only In Brake Shoe Assembly On Roller & Pin)

BD-315-B

FOR ORDERING INFORMATION REFER TO PARTS PRICE LIST

# GEARCASE PARTS

For Model: 3RGSC9400RL0  
(Pewter)



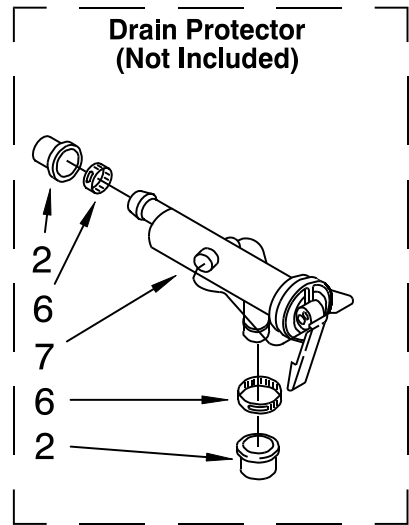
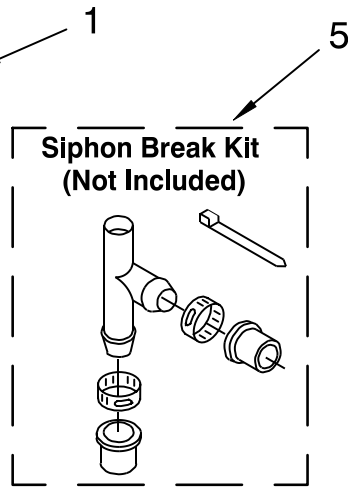
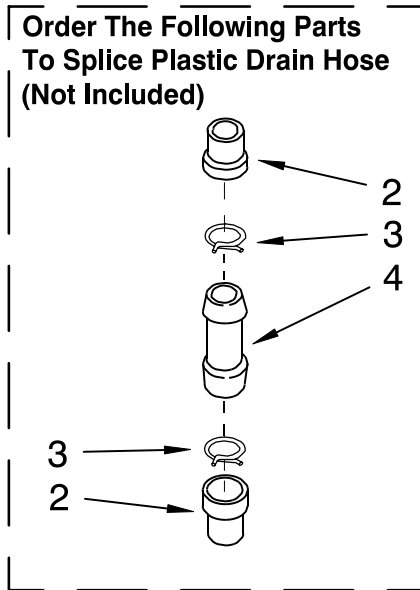
Illus. No.	Part No.	DESCRIPTION
1	3949118	Gearcase (Complete)
2	285202	Cover, Gearcase
3	3349985	Seal, Gearcase Cover
4	285195	Sealer, Gasket (.20 Fl. Oz.) (6 ml)
5	63320	Pinion, Spin (Includes Illus. 25)
6	356427	Seal, Spin Pinion
7	389387	Shaft, Agitator (Complete)
8	90369	Ring, Retaining (2)
9	62677	Retainer, Spring (2)
10	62676	Spring, Agitate
11	63273	Gear, Agitate (Includes 15 & 29)
12	62619	Washer, Agitate Gear
13	62580	Cam Follower (Includes 14)
14	62581	Cam, Agitate (Includes 13)
15	285509	Shaft, Agitator (Includes 11 & 29)
16	62618	Washer, Cam Thrust
17	16018	Bearing, Thrust (Includes 18)
18	85529	Ball, Bearing (Includes 17)
19	3366851	Bottom and Pinion Gearcase
21	285352	Seal, Thrust Plug
22	3351614	Screw, Gearcase Cover Mounting (8) (10-24 x 3/8)
23	3362552	Ring, Retaining
24	285735	Washer Kit, Thrust
25	3348567	Gear, Spin
26	285595	Neutral Assembly
27	3349296	Rack, Connecting
28	62621	Actuator, Shift
29	388815	Washer, Intermediate

GC-219

FOR ORDERING INFORMATION REFER TO PARTS PRICE LIST

# WATER SYSTEM PARTS

For Model: 3RGSC9400RL0  
(Pewter)



WS400

Illus. No.	Part No.	DESCRIPTION
1	285442	Connector Kit, Plastic Drain Hose
2	285321	Sleeve Kit, (Contains 2 Sleeves)
3	370447	Clamp, Hose
4	16272	Connector, Straight
5	285320	Siphon Break Kit (Not Included)
6	65349	Clamp, Hose
7	367031	Drain Protector (Not Included)

FOR ORDERING INFORMATION REFER TO PARTS PRICE LIST

# OPTIONAL PARTS (NOT INCLUDED)

For Model: 3RGSC9400RLO  
(Pewter)

<b>Illus. No.</b>	<b>Part No.</b>	<b>DESCRIPTION</b>
-----------------------	---------------------	--------------------

## PAINT, TOUCH-UP (1/2oz.)

72017 White

## PAINT, PRESSURIZED SPRAY (12 oz.)

350938 Primer, Gray  
350930 White

## PAINT, BULK (1 qt.)

799344 White (Uncut)

## OIL

350572 Oil, Gearcase  
(16 Oz.)

## LUBRICANT

285208 Lubricant (Use  
Only in Brake  
Shoe Assembly  
On Roller and  
Pin)

## SEALER

285195 Sealer, Gasket  
(.20 Fl. Oz.) (6 ml)

## ACCESSORY PARTS

367031 Drain Protector  
285320 Siphon Break Kit

FOR ORDERING INFORMATION REFER TO PARTS PRICE LIST

## Free Manuals Download Website

<http://myh66.com>

<http://usermanuals.us>

<http://www.somanuals.com>

<http://www.4manuals.cc>

<http://www.manual-lib.com>

<http://www.404manual.com>

<http://www.luxmanual.com>

<http://aubethermostatmanual.com>

Golf course search by state

<http://golfingnear.com>

Email search by domain

<http://emailbydomain.com>

Auto manuals search

<http://auto.somanuals.com>

TV manuals search

<http://tv.somanuals.com>