



Service Manual

Washing machine

Toploader

AWE 9725

Model Version		Page
AWE 9725		
8593 972 10057		
	Technical data	2 - 3
	Spare part list	4
	Exploded view	5 - 6
	Wiring diagram	7
	Circuit diagram	8
	Program chart	9 - 14
	Text/Legend	15 - 17
	Family	OMEGA



R o H S

This documentation is only intended for qualified technicians who are aware of the respective safety regulations.

Date: 07.11.2006

Document-No.: 4812 722 26957

Subject to modification

Technical data**Dimensions**

Height	85	cm
Width	40	cm
Depth	60	cm

Weight

Net weight	~62	kg
With package	~64	kg

Main Connection

Voltage	230	V ± 10%
Frequency	50	Hz
Power consumption	~2.3	kW
Fuse rating	10	A

Drum

Door wide	210	mm
Volume	42	l
Wash spin	52	rpm
Speed spinning max.	1200	rpm

Capacity of dry laundry

Cotton	5	kg
Cotton short	3	kg
Easy care	2	kg
Daily mixed	3	kg
Super rapid	1.5	kg
Delicate	1.5	kg
Handwash	1	kg
Wool	1	kg

Pressostat

Kind of switch	2-level pressoswitch with overflow contact	
Type	B1-117	
Nominal voltage	230	V

Water Level

Foam level (11 - 12, 14)		
Switching point	50 ± 5	mmWc
Switching back point	30 ± 5	mmWc

Overflow (21 - 26)	280 ± 20	mmWc
--------------------	----------	------

Nominal currents

Contacts		
11 - 12	4 (4)	mA
11 - 14	16 (4)	A
11 - 16	1 (1)	A

Door lock (5-pole)

Type	BP P/5	
Nominal voltage	230 (90 - 264) V	
Nominal current:		
Contact 4 - 5	16 (4)	A
Lock time	≤5"	
Unlock time	≤180"	

Heating element

Kind of heating	Tubular heating element with NTC - sensor	
Nominal voltage	230 +10%, -15% V	
Nominal power	2050	W ± 5%
Resistance (20 °C)	23.9	Ω ± 5%
Thermo-fuse (switch OFF temperature)	152	°C
Leakage current (<99 °C)	<0.8	mA

NTC sensor

Resistance NTC:		
0 °C	35.9	kΩ ± 5.8%
30 °C	9.8	kΩ ± 3.7%
40 °C	6.6	kΩ ± 3.1%
50 °C	4.6	kΩ ± 2.6%
60 °C	3.2	kΩ ± 2.0%
70 °C	2.3	kΩ ± 2.5%
95 °C	1.1	kΩ ± 3.7%

Inlet valve

Kind of valve	1-way valve for cold water	
Water temperature	<60	°C
Rated flow >1 bar	8	l/min ± 10%
Pressure range	0,2 - 10	bar
Nominal current	40	mA
Nominal power	8.8	VA ± 10%
Nominal resistance	3.8	kΩ ± 10%

Technical data

Drain pump (synchronous)

Type	68882/292079		
Nominal/max. current	0.3/0.5/	A	
	0.2/0.22	A	
Nominal power	30/26	W	
Rotation speed	3000	rpm	
Resistor (coil) (25 °C)	164/	$\Omega \pm 7\%$	
	224	$\Omega \pm 5\%$	
Capacity	14 ± 2	l/min	
Position of draining hose outlet	min.	0.9	m
	max.	1.25	m

Control board

Type	OMEGA		
Timer basic	4619 710 90281		
Timer programmed	4619 751 54431		

Motor

Type	MCA 52/64 - 148/ALE		
Belt ratio	i = 1:13.3		

Resistance contacts (20 °C)

Stator (full field)	2.17	$\Omega \pm 7\%$
Stator (tapped field)	1.35	$\Omega \pm 7\%$
Rotor	1.90	$\Omega \pm 7\%$
Tachogenerator	68.70	$\Omega \pm 7\%$

Input power (230 V AC)

Washing	240	W ± 7%
Rinsing	350	W ± 7%
Spinning (full field)	320	W ± 10%
Spinning (tapped field)	400	W ± 10%

Radio interference supression

Rated voltage	90 - 250 V	
Rated current	16 A	
Frequency	50/60 Hz	
Nominal capacity	680 nF X1 + 2 x 22 nF Y ± 20%	
Nominal inductance	2 x 1	mH-30+50%
Nominal resistance	680	$k\Omega \pm 10\%$
Derivation current (u = 250 V AC)	≤ 4.15 (2 x 2.075) mA	

Drum up sensor

Nominal voltage	5	V DC
Nominal current	0,5	mA
Poles	1	
Resistance	150	$m\Omega$
Connection	Wires + RAST 2.5	

Distrubution actuator

Motor:

Nominal voltage	230 +10% -15% V	
Nominal current	13 ± 5	mA
Nominal resistance (20 °C)	6.5	$k\Omega \pm 10\%$

Contacts:

Nominal current	1	mA
Nominal voltage	24	V

Display module

Type	DM LCDE WH03 TL OM
12NC	4619 730 71103
Programs	11

Push button switch

Favorites
Easy ironing
Eco
Pre wash
Intensive rinse
Rinse hold

Selector

Temperature +/-
Spin/Start delay

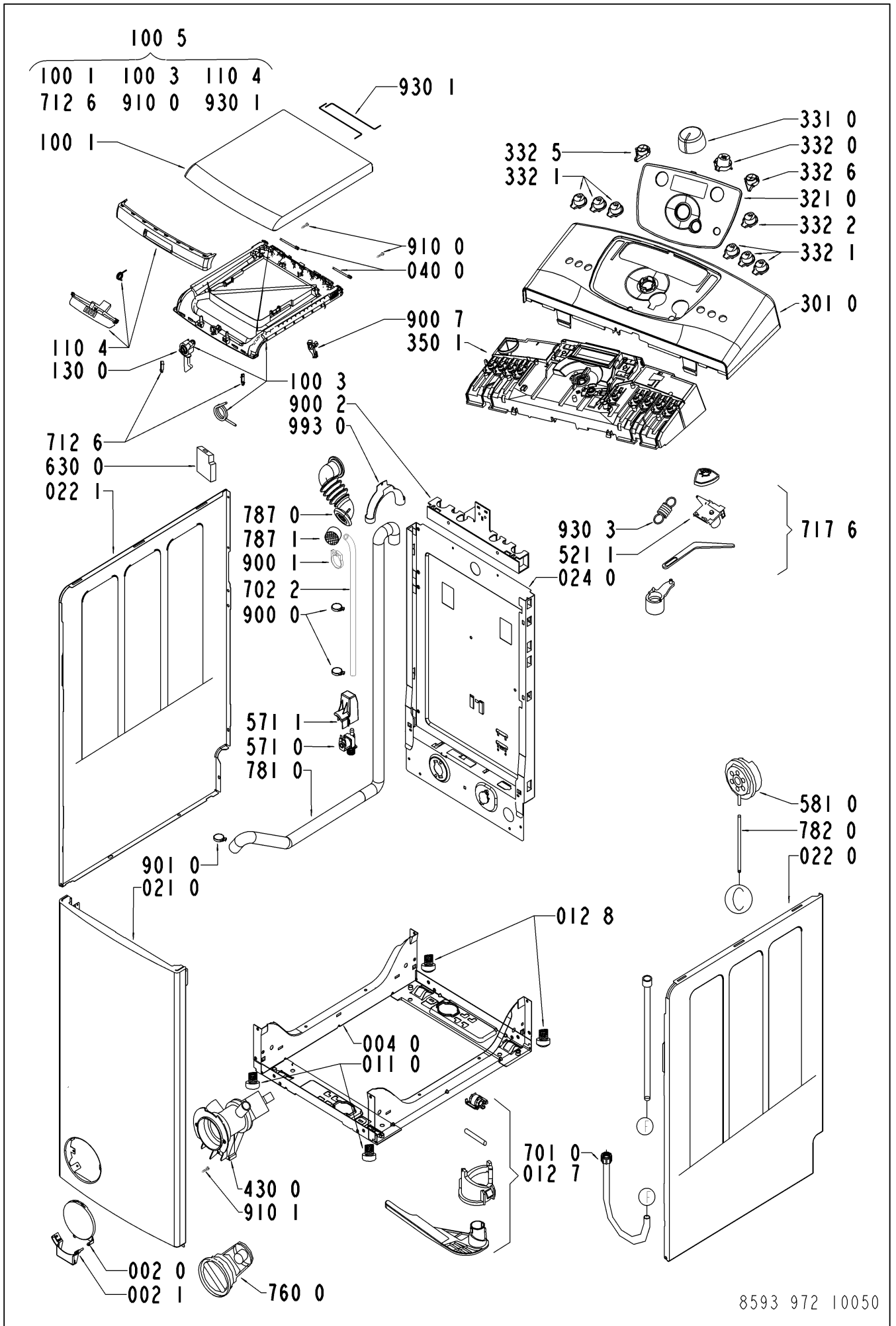
Spare part list

Model AWE 9725
Service No. 859397210057
Version 859397210057

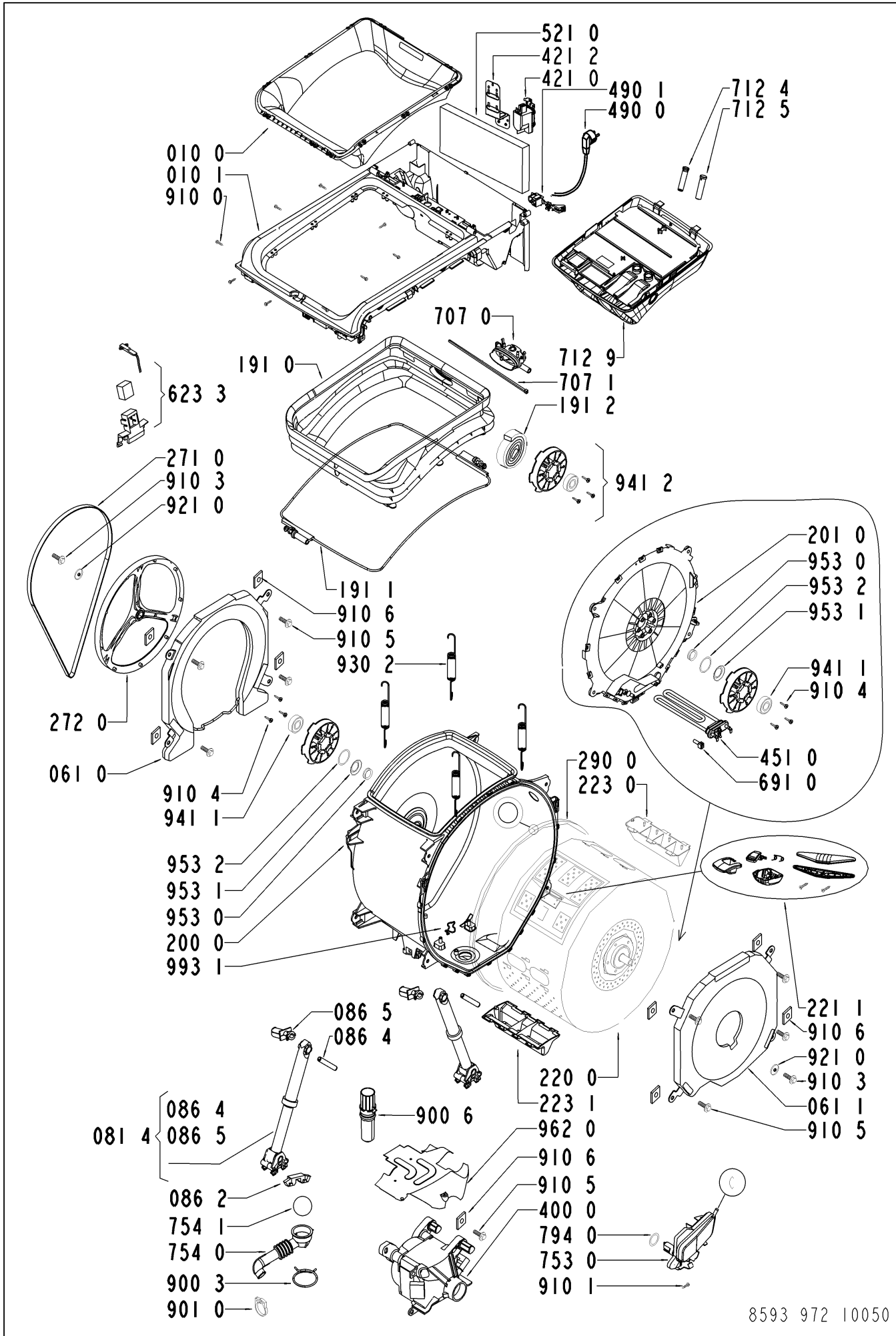
Pos. No.	12NC Code	Description
002 0	4812 459 38057	Flap round GW
002 1	4812 459 38058	Hinge flap GW
004 0	4812 440 10727	Drip tray assy
010 0	4812 459 48185	Door frame inner, soft opening GW
010 1	4812 440 10741	Frame lid outer MH/RFI GW
011 0	4812 462 48054	Foot
012 7	4812 310 18497	Trolley kit front
012 8	4812 528 78046	Foot adjustable rear
021 0	4812 440 10742	Front panel GW
022 0	4812 440 10743	Side panel right GW
022 1	4812 440 10744	Side panel left GW
024 0	4812 440 10732	Rear panel
040 0	4812 417 19155	Hinge bolt lid GW
061 0	4812 466 88466	Counter weight left
061 1	4812 466 88465	Counter weight right
081 4	4812 466 88699	Shock absorber
086 2	4812 401 18412	Stopper
086 4	4812 529 18045	Pin f. Shock absorber
086 5	4812 529 18052	Damper f. Shock absorber
100 1	4812 440 10745	Lid outer GW
100 3	4812 440 10746	Lid inner+hook+spring GW
100 5	4812 440 10747	Lid cpl. WH/MH GW
110 4	4812 498 18248	Handle cpl. WH/MH GW
130 0	4812 417 19156	Hook f. Lid GW
191 0	4812 466 68749	Door bellow
191 1	4812 492 98012	Strap f. Doorbellow
191 2	4812 466 88703	Seal
200 0	4812 418 18407	Tub f.Drum latch
201 0	4812 440 19487	Cover f. Tub
220 0	4812 418 18595	Drum soft op. 210mm
221 1	4812 310 18843	Kit latch f.drum
223 0	4819 418 49713	Drum lifter
223 1	4812 418 48605	Drum lifter 54 mm with weight
271 0	4812 358 18206	Belt PV 1236 J4 EL
272 0	4812 528 88111	Pulley with fastener
290 0	4812 532 68078	Gasket
301 0	4812 452 15491	Control panel AWE 9725
321 0	4812 452 15497	Insert panel
331 0	4812 412 59089	Knob timer EBL
332 0	4812 410 29015	Button Start GW
332 1	4812 410 29016	Button option with LED GW
332 2	4812 410 29017	Button option GW
332 5	4812 410 29243	Button temperature
332 6	4812 410 29244	Button spinning
350 1	4812 214 58334	Display Module 1400
400 0	4812 361 58387	Motor MCA 52/64-148 ALE
421 0	4812 121 18285	Interf.filter 1,00 µ F
421 2	4812 404 38708	Holder RFI
430 0	4812 360 18529	Pump,draining
451 0	4812 259 28919	Heating element 2050W, 230V + NTC
490 0	4819 321 18136	Cable mains 2m SA
490 1	4812 321 28367	Strain relief
521 0	4812 214 79589	Control board OMEGA, programmed
521 1	4812 323 18006	Actuator f. Distribution
571 0	4812 281 28393	Valve magnet

Pos. No.	12NC Code	Description
571 1	4812 281 18049	Cover f. valve
581 0	4812 271 28382	Pressostat single EATON
623 3	4812 418 18446	Drum up OMEGA
630 0	4812 271 38364	Door lock
691 0	4812 282 19485	Sensor NTC SC1,OMEGA3
701 0	4812 530 29329	Hose inlet EN 11770 Reflex
702 2	4812 530 28871	Hose VALVE-DISPENSER
707 0	4812 526 48122	Nozzle box cold cpl.
707 1	4812 526 48049	Clamp f. nozzle box
712 4	4812 418 68302	Siphon f. softener
712 5	4812 418 68303	Siphon f. bleach
712 6	4812 418 68164	Clip SOAP DISPENSER
712 9	4812 418 68359	Soap dispenser cpl. 4 ch.
717 6	4812 323 18005	Distributor System
753 0	4812 530 28874	Chamber,air
754 0	4812 530 29267	Drainhose
754 1	4812 530 28832	Lock eco
760 0	4812 480 58089	Filter set pump
781 0	4819 530 29035	Hose draining
782 0	4812 530 29268	Hose Pressostat
787 0	4812 530 18043	Hose Exhaust W/O hole
787 1	4812 580 38007	Sponge
794 0	4812 530 58098	Gasket Airtrap
900 0	4819 401 18686	Clamp hose
900 1	4812 401 18431	Clamp to pump
900 2	4812 404 38711	Holder Hose
900 3	4819 401 18529	Clamp hose
900 6	4812 400 18048	Pin
900 7	4812 401 18447	Clamp top frame
901 0	4812 401 18462	Clamp hose drain hose
910 0	4812 502 48347	Screw,selftap 3,5x14SS
910 1	4812 502 38151	Screw 4x14
910 3	4812 502 18404	Screw
910 4	4812 502 18402	Screw 7x18
910 5	4812 502 18401	Screw M8X 35
910 6	4812 502 18399	Nut Push in M 8
921 0	4812 400 18047	Washer
930 1	4812 492 48171	Torsions spring
930 2	4812 492 48086	Spring
930 3	4812 323 18011	Spring f. Lever
941 1	4812 520 28002	Bearing,ball 6203 2Z C3
941 2	4812 520 28182	Bearing,ball kit
953 0	4812 325 68001	Shaft seal
953 1	4812 520 28073	Ring counterface
953 2	4812 530 68017	O-Ring
962 0	4812 440 19497	Cover f. Motor
993 0	4819 530 29028	Bow
993 1	4812 290 18031	Clamp heatingelement+screw

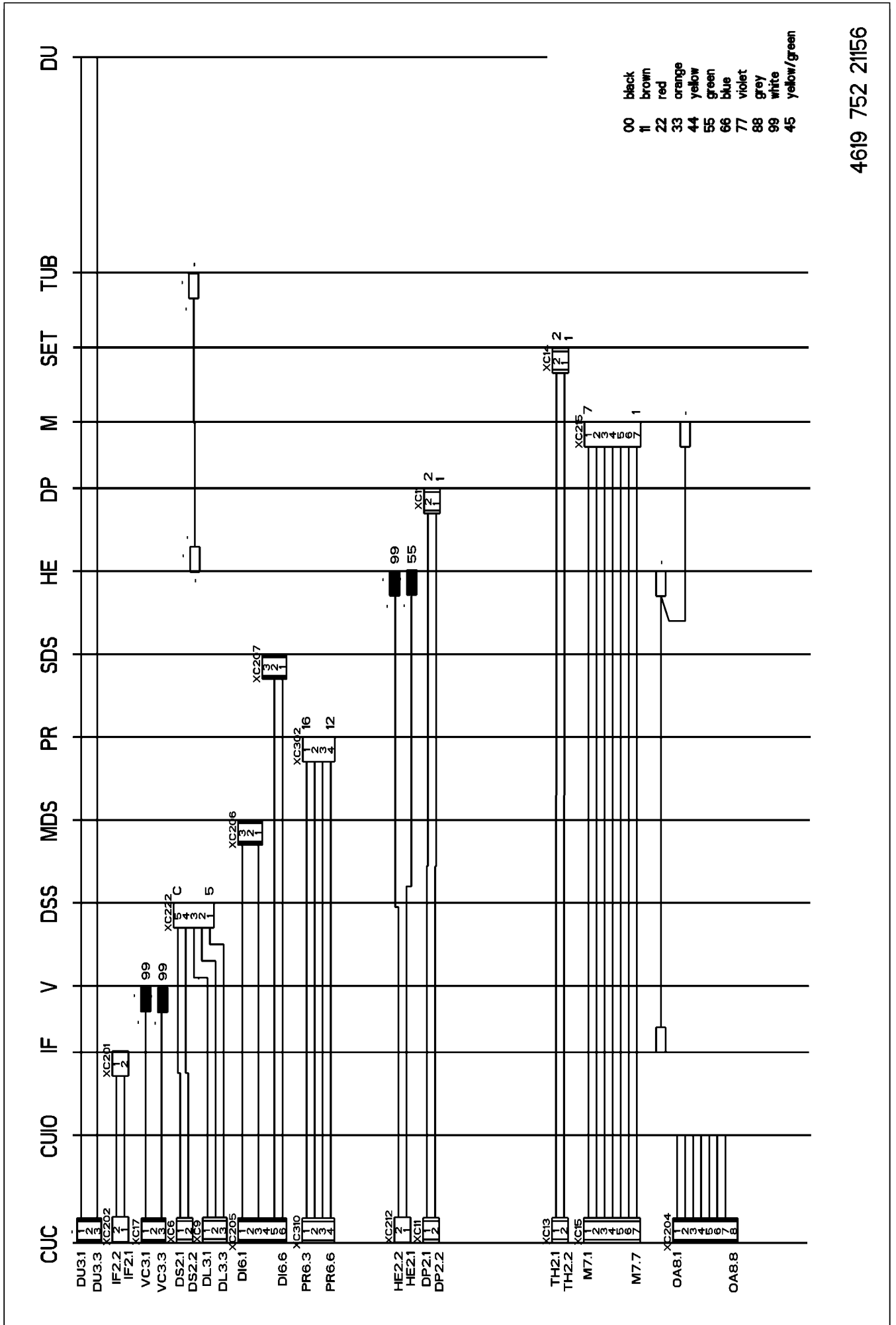
Exploded view



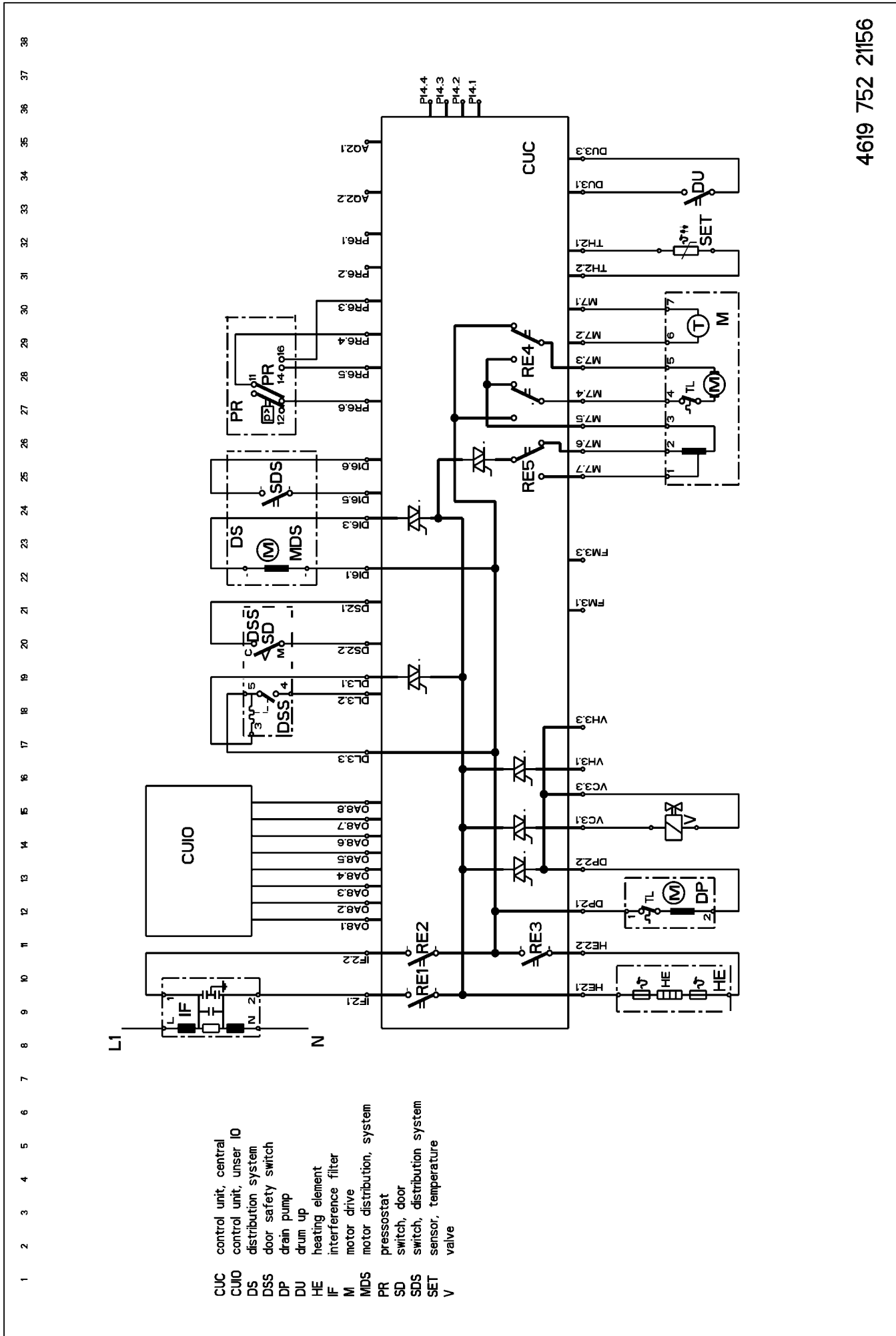
Exploded view



Wiring diagram



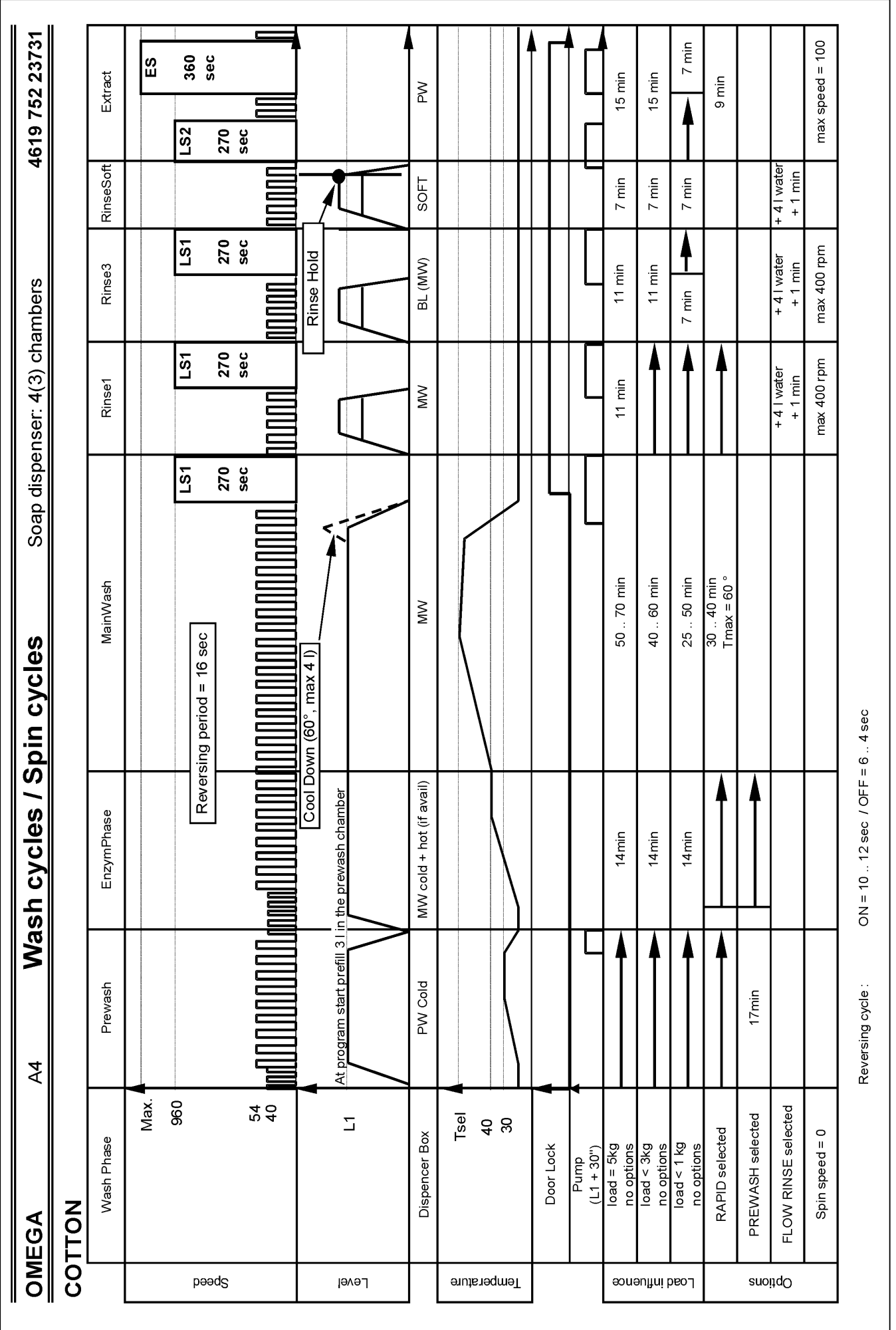
Circuit diagram



4619 752 21156

- CUC control unit, central
- CUJO control unit, user IO
- DS distribution system
- DSS door safety switch
- DP drain pump
- DU drum up
- HE heating element
- IF interference filter
- M motor drive
- MDS motor distribution, system
- PR pressostat
- RE switch, door
- SDS switch, distribution system
- SET sensor, temperature
- V valve

Program chart



Reversing cycle: ON = 10 .. 12 sec / OFF = 6 .. 4 sec

Program chart

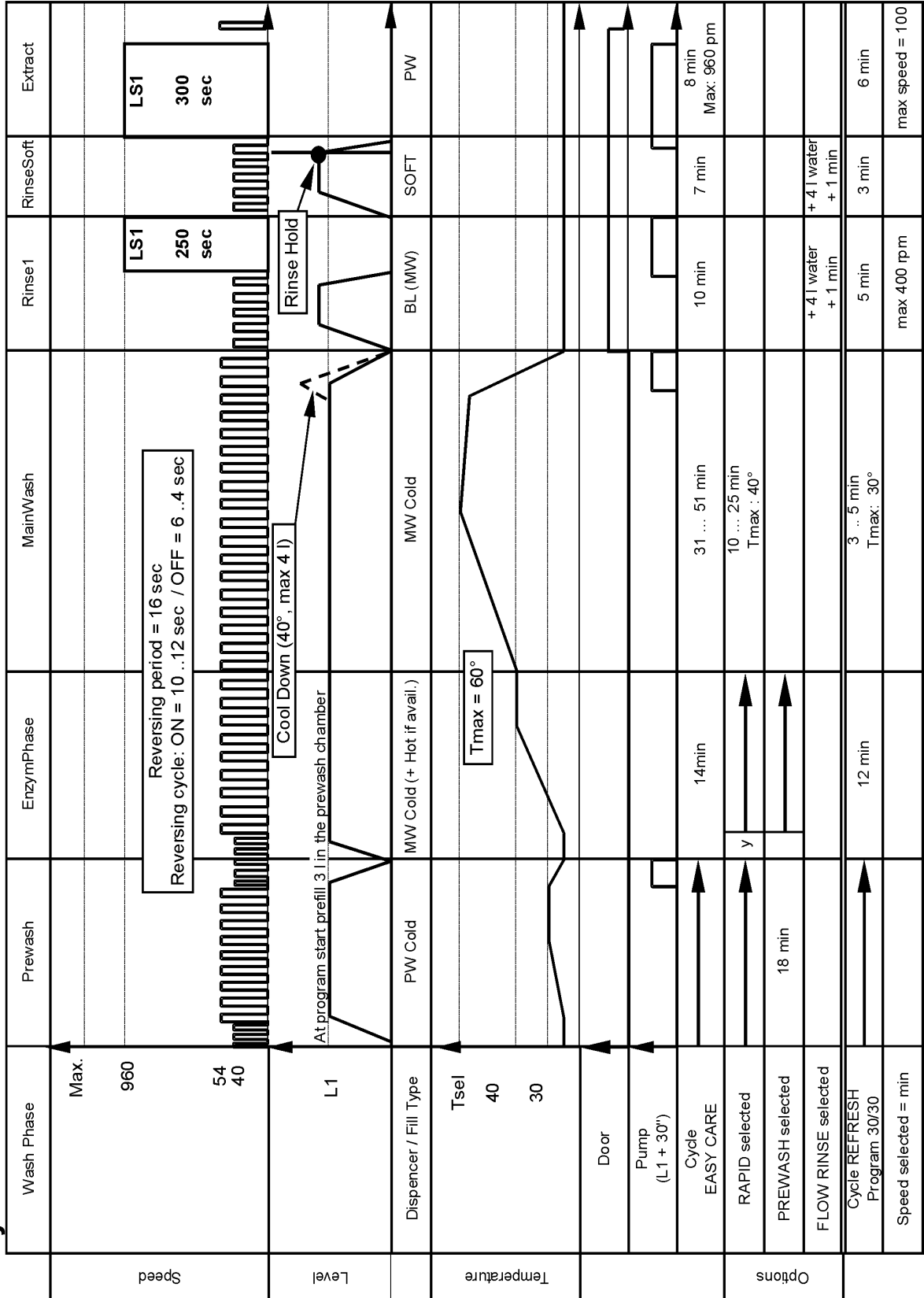
4619 752 23731

Soap dispenser: 4(3) chambers

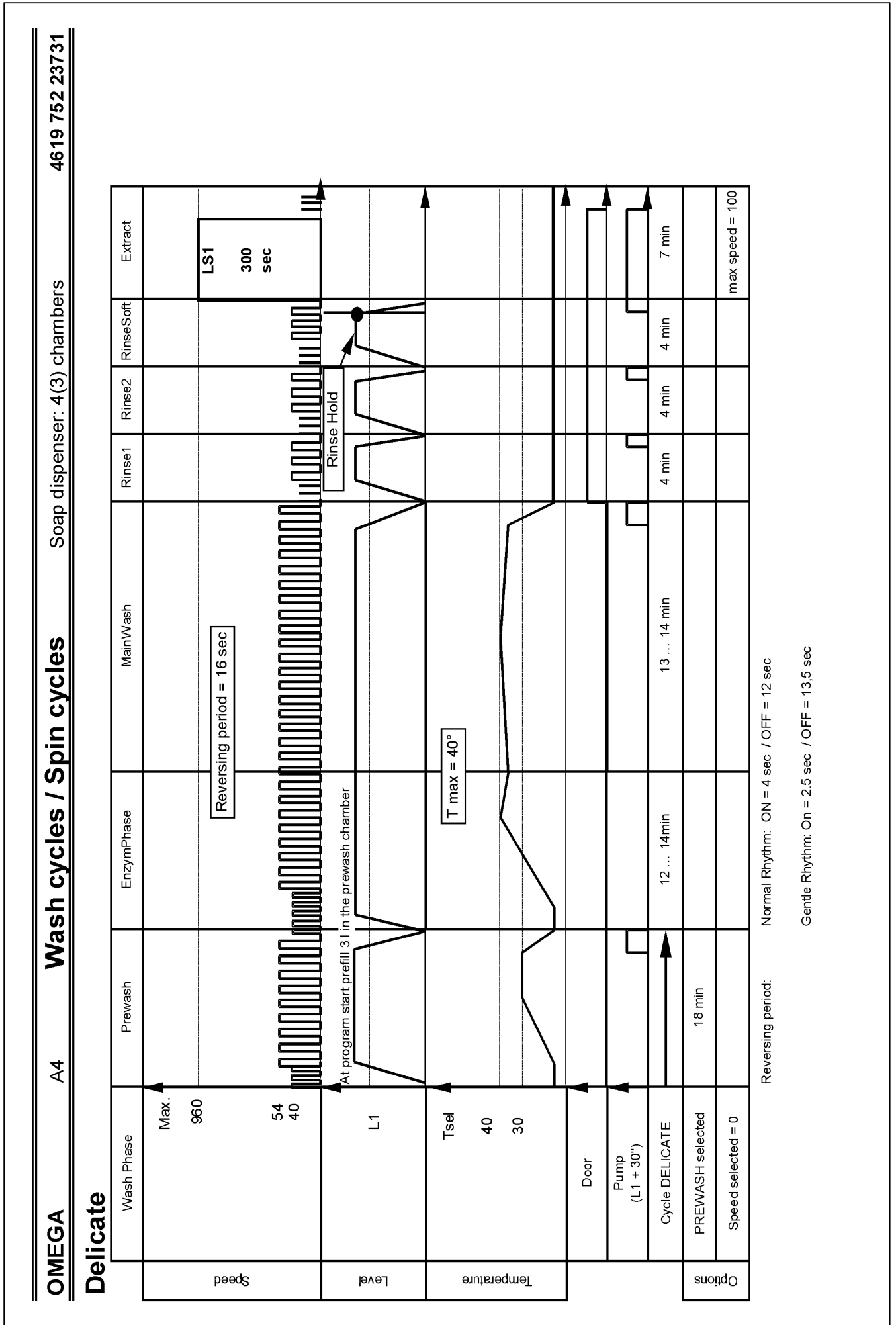
Wash cycles / Spin cycles

A4

Easy Care



Program chart



Reversing period: Normal Rhythm: ON = 4 sec / OFF = 12 sec

Gentle Rhythm: On = 2.5 sec / OFF = 13,5 sec

Program chart

4619 752 23731

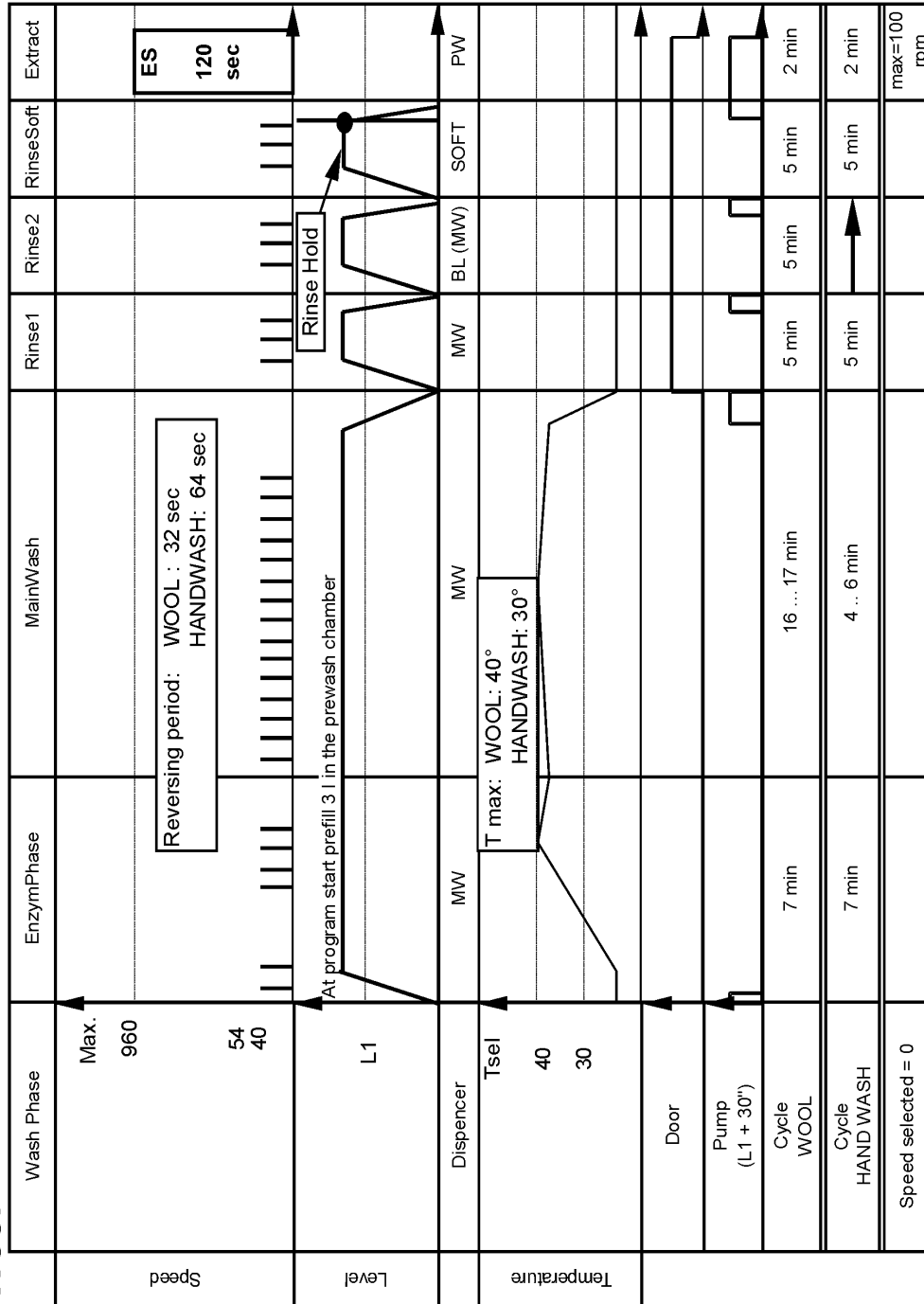
Soap dispenser: 4(3) chambers

Wash cycles / Spin cycles

A4

OMEGA

Wool



Reversing period: ON = 1,5 sec / OFF = 30 ...62 sec

Program chart

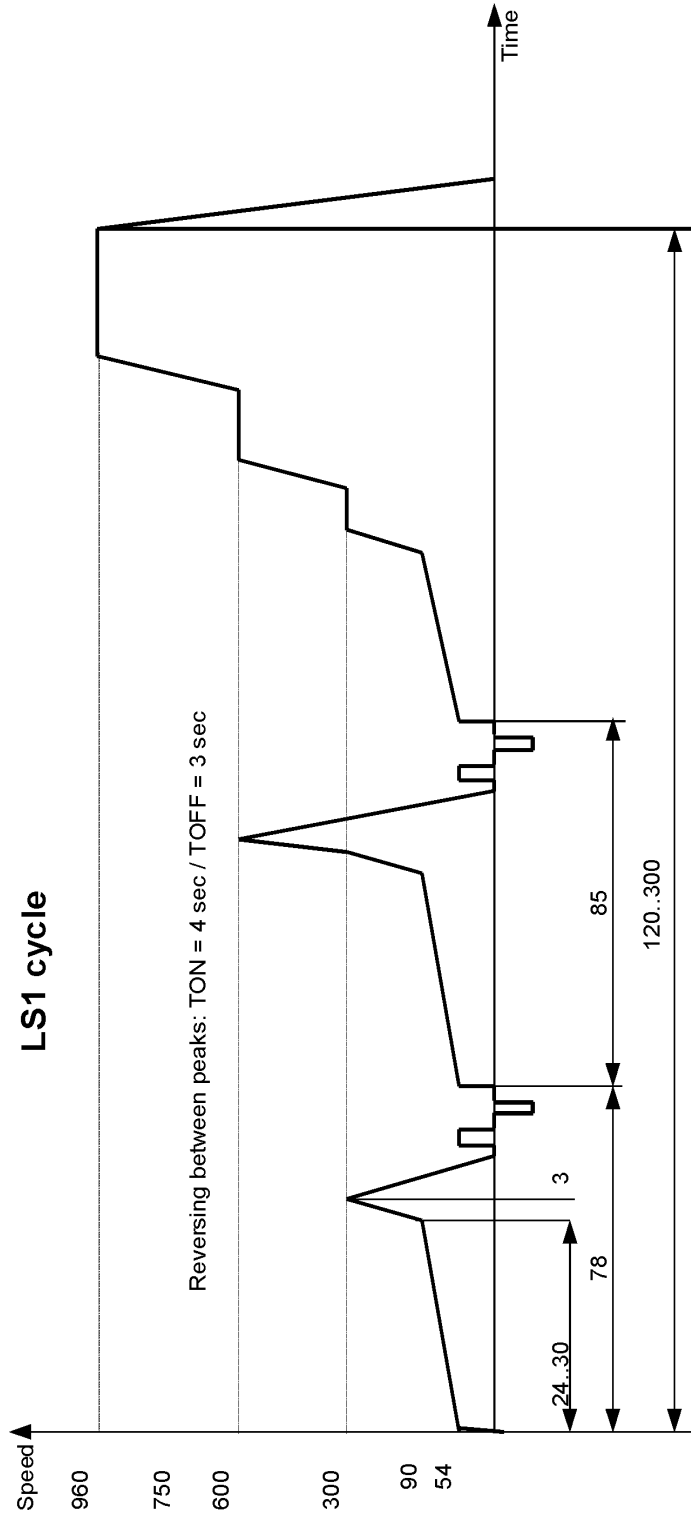
4619 752 23731

Soap dispenser: 4(3) chambers

Wash cycles / Spin cycles

A4

LS cycles



Nr of repeats in case of unbalance : max. 2 per ramp
The duration of the spinning is increased with the time necessary for the repetitions

Program chart

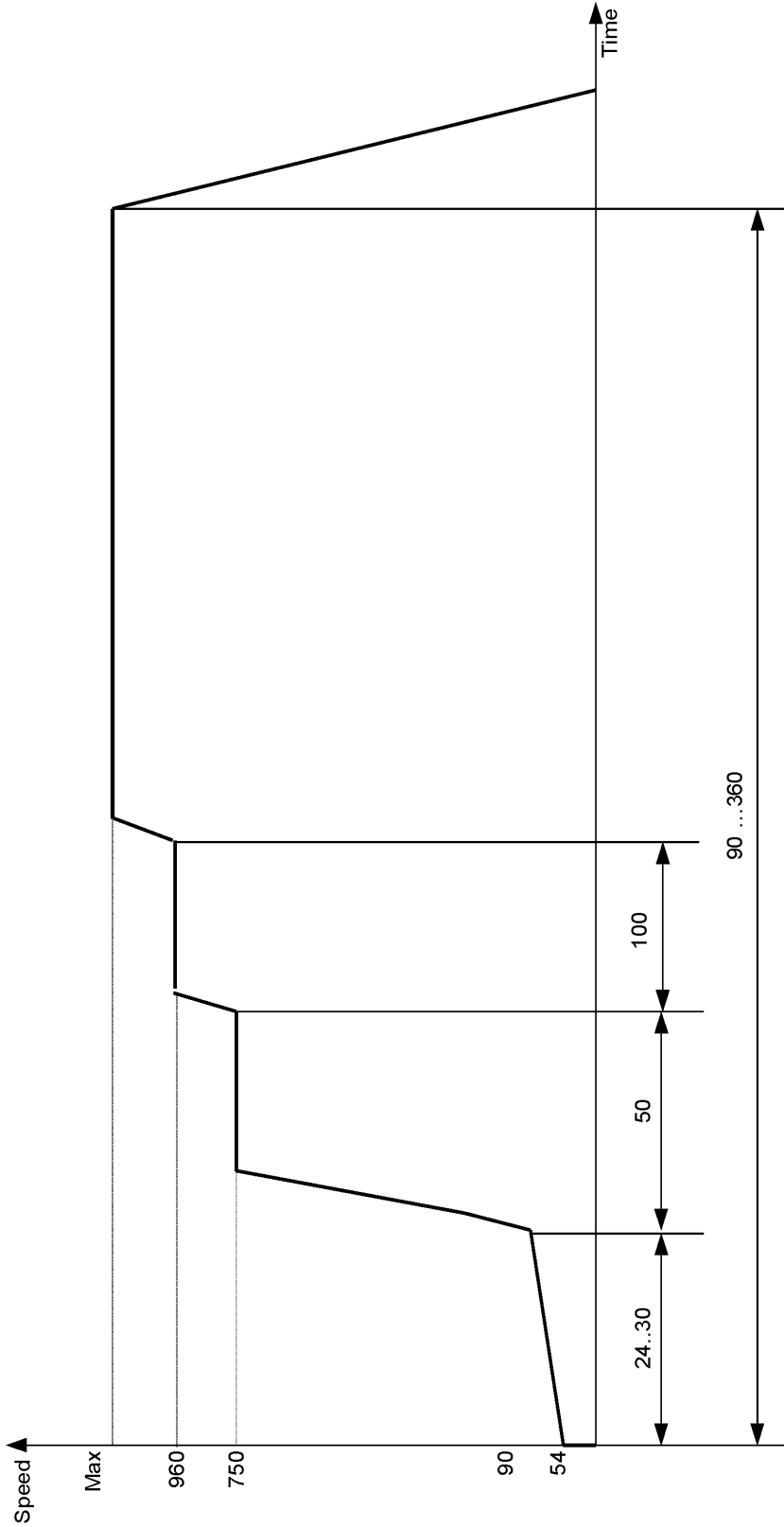
4619 752 23731

Soap dispenser: 4(3) chambers

Wash cycles / Spin cycles

A4

ES cycle



max. 10

max. 3

Nr of repeats in case of unbalance :

Nr of repeats in case of foam:

In the cycles WOOL and HANDWASH we do not have repeats.

The duration of the spinning is increased with the time necessary for the repetitions

Text/Legend

OMEGA Alliance LCD Test Program 4619 752 30601

- | | | | | | | | | |
|--------------------------------|-------------------------------|--|------------------|-------------------------------|-----------|----------|--------------------------------|----------|
| 1 | → Select program | Drain | | | | | | |
| 2 | → Start test program | Push prewash option 4 times within 5 seconds | | | | | | |
| 3 | → Indication elements | <table border="0"> <tr> <td>DIGITS remaining</td> <td>Indicate current program step</td> </tr> <tr> <td>LED start</td> <td>FLASHING</td> </tr> <tr> <td>LCD prewash/wash/rinse symbols</td> <td>FLASHING</td> </tr> </table> | DIGITS remaining | Indicate current program step | LED start | FLASHING | LCD prewash/wash/rinse symbols | FLASHING |
| DIGITS remaining | Indicate current program step | | | | | | | |
| LED start | FLASHING | | | | | | | |
| LCD prewash/wash/rinse symbols | FLASHING | | | | | | | |
| 4 | → Go to next step | Push prewash option twice | | | | | | |
| 5 | → Finish test program | Move the program selector from the DRAIN position | | | | | | |

Attention: Use the test program only without laundry !

Remaining Time	Function	Duration	Check	Drum Rhythm
C 00	Lock the door	Until the door is locked	Door Lock Function	
C 01	Fill, current dispenser position	Until L1 is reached	Flowmeter, Valve Cold, Pressostat	
C 02	Move dispenser motor to prewash		Dispenser Motor	
C 03	Fill (cold + hot)	L1 + 30"	Valve Hot (if hot fill appliance)	
C 04	Movement	30"	Motor, Control board	Drum CW 54 rpm
C 05	Wash + Heat	max 50° + 1 min	Heater, NTC, Motor	Drum CW 54 rpm
C 06	Drain	L1	Drain Pump, Motor	Drum CW 54 rpm
C 07	Ramp	15"	Motor, Pump	Drum CCW Ramp 54 - 90 rpm
C 08	Spin (max speed)	240"	Motor, Tapped field, Pump	Drum CCW max speed

If failure occurs: The test program is stopped
 Failure Code indicated on remaining time digits
 The ERROR state is cancelled if we set the selector to OFF position

Text/Legend**OMEGA Alliance LCD****Test Program****4619 752 30601**

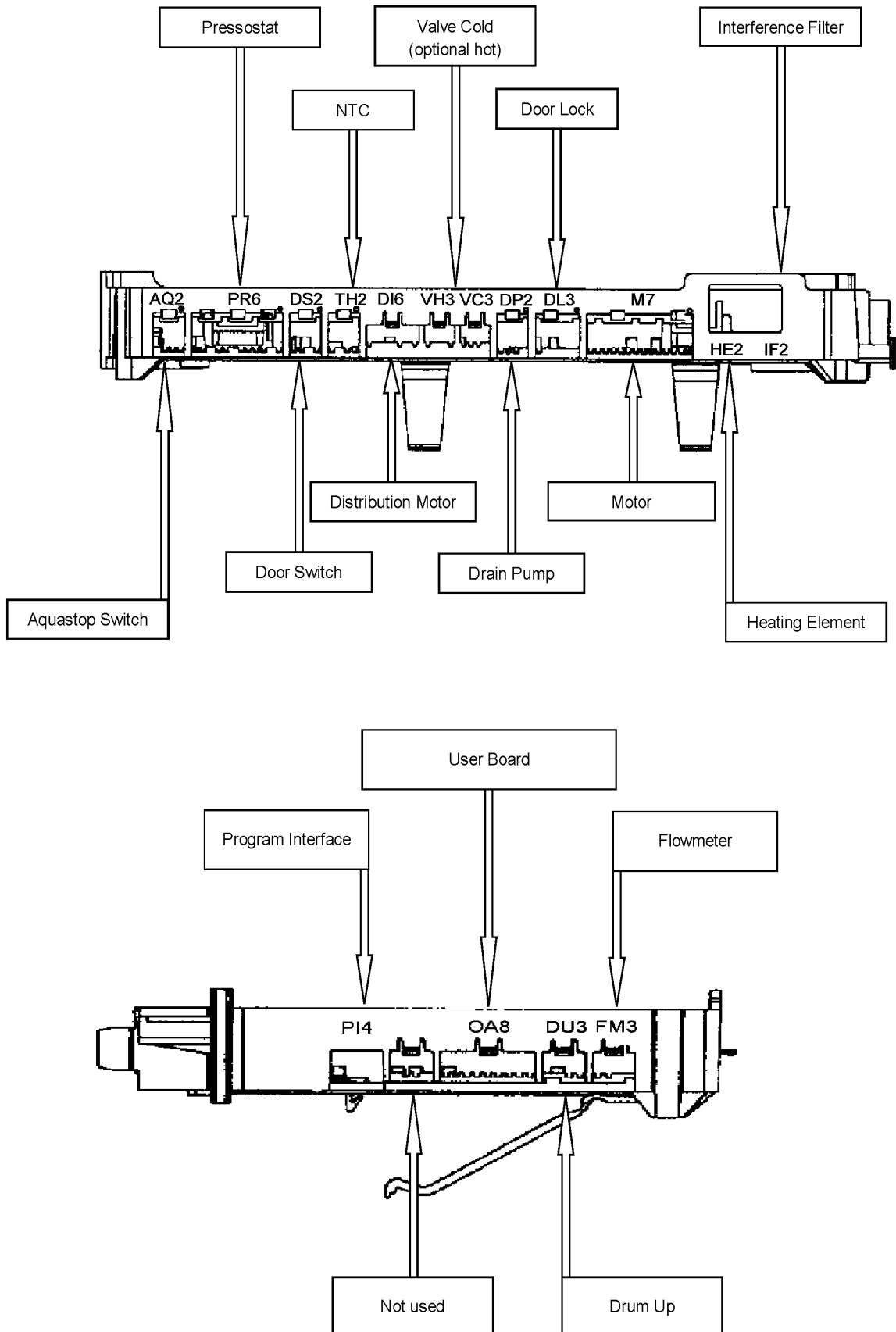
Indication	Detected failure	To be checked
F H	No water inlet	Water Tap / Valve / Flowmeter / Pressostat
F A	Aquastop failure	Aquastop Switch
F P	Drain failure	Drain Pump / Pressostat
F 05	NTC failure (SC / OC)	NTC
F 06	Tachometer failure (no motor movement detected)	Motor; Tachometer
F 07	Triac short circuit detection	Control Board, Motor
F 08	Heater failure (no feedback on Heater safety)	Heater , Control Board
F 11	Communication failure	Control Board
F 12	Heater safety failure	Heater, Control Board
F 13	Water distributor failure	Distributor
F 14	EEPROM failure	Control Board
F 15	DrumUp failure	Drum Up Sensor
F 21	Communication failure	Control Board / Display Board (LCD)

Text/Legend

OMEGA Alliance LCD

Terminal Connecting Plan

4619 752 30601



Free Manuals Download Website

<http://myh66.com>

<http://usermanuals.us>

<http://www.somanuals.com>

<http://www.4manuals.cc>

<http://www.manual-lib.com>

<http://www.404manual.com>

<http://www.luxmanual.com>

<http://aubethermostatmanual.com>

Golf course search by state

<http://golfingnear.com>

Email search by domain

<http://emailbydomain.com>

Auto manuals search

<http://auto.somanuals.com>

TV manuals search

<http://tv.somanuals.com>