

PHILIPS**Whirlpool**

Service Manual

WASHING MACHINE

AWG 327

Model AWG 327 W
Service No.
Version 8537 327 10000

Technical Data	4812 713 50029
Spare Parts List	8537 326 10000
Exploded Views	4812 713 60011
	4812 713 60012
	4812 713 60013
Wiring Diagram	4812 713 70013
Circuit Diagram	4812 713 70013
Closing Diagram	4812 713 70014
	4812 713 70015

TECHNICAL DATA

4812 713 50029

1.	Modell	AWG 327 W - 14 programmes and the possibility of more combinations	
1.1.	Dimension		
	Height	85	cm
	Width	59,5	cm
	Depth	52,0	cm
1.2.	Weight		
	Net weight	ca. 83	kg
	Without package	ca. 74	kg
1.3.	General specifications		
	Voltage	220 + -10% / 50	V / Hz
	Connected load	approx. 2265	W
	Fuse	14	A
1.4.	Drum data		
1.4.1.	Drum speed		
	Washing	approx. 50	rpm
	Pre-spinning	approx. 120	rpm
		approx. 1000	rpm
	Spinning (low)	approx. 500	rpm
	Spinning (high)	approx. 800	rpm
1.4.2.	Loading		
	Capacity	max. 4,5	kg
		Dry laundry	
1.5.	Electrical building parts		
1.5.1.	Heating		
	Type	Tubular radiator	
	Rated power draft washing	approx. 1950	W
	Rated power draft drying	approx. 1000-300	W
	Rated voltage draft	220	V
1.5.2.	Drain pump		
	Power consumption	approx. 90	W
	Rotation speed	approx. 2500	rpm
	Capacity	20-25	l/min
	Height of draining hose	max. 0,90	m
		min. 0,60	m
1.5.3.	Motor	2/16 poles with speedometer single phase-asynchronous	
1.5.4.	Drying motor	Plaset - type 45982	
1.5.5.	Timer	Typ ELBI-60 impulses	
	The timer program chart includes 2 basic programmes	-normal washing -delicate washing	

Date

12.02.92

Spare part list
for Washing machine

Spare part list No.

8537 327 10000

Model

AWG 327 W

Version

8537 327 10000

Pos. No.	Spare Part No.	Denomination
112	4819 121 18144	Capacitor 22 uf
131	4819 214 78262	Control unit
141	4819 321 18082	Mains cable
142	4819 290 68271	Terminal block
143	4819 121 18143	Anti interference filter
151	4819 530 28712	Water inlet hose
153	4819 281 28196	Water inlet valve
166	4819 360 18191	Pump assy
170	4819 530 28546	Water draining hose
196	4819 440 19451	Cabinet
199	4819 440 19209	Plinth
211	4819 282 18476	Timer
213	4819 134 48237	Pilot lamp
232	4819 271 28599	Pressostat 2 level
241	4819 418 78067	Detergent dispenser
247	4819 280 48012	Micro delay switch
301	4819 440 19206	Table top
303	4819 410 28271	Button
304	4819 418 78166	Detergent dispenser cover
307	4819 498 69697	Dispenser handle
311	4819 413 58589	Thermostat knob
313	4819 413 78427	Timer knob insert
316	4819 413 78451	Timer knob
318	4819 498 69538	Door handle
319	4819 459 28245	Porthole glass
320	4819 450 69015	Door glass
322	4819 535 98334	Control rod dispenser
325	4819 903 02471	Control rod spring
327	4819 903 02466	Sprayer lever
331	4819 418 78068	Detergent dispenser housing
333	4819 401 10258	Hose clamp
334	4819 903 02458	Water inlet tube
336	4819 276 38216	Switch unit assy.
337	4819 903 02498	Porthole hook frame
339	4819 453 18548	Control panel
346	4819 903 02425	Porthole hinge
348	4819 480 58082	Diaphragm cover
351	4819 418 78178	Control unit support
354	4819 480 50121	Seal and filter
355	4819 401 18348	Hoses holder
358	4819 466 47003	Friction block
360	4819 492 68576	Spring for friction block
361	4819 492 68392	U bracket for spring
362	4819 903 02535	Bushing
365	4819 462 47014	Adjustable foot
368	4819 903 03649	Back panel
373	4819 903 02487	Hose clamp
374	4819 413 58588	Timer cam
375	4819 903 02468	Rod drive lever
377	4819 530 28726	Pressostat tube
380	4819 401 18174	Hose clamp
381	4819 418 49969	Filter body
429	4819 440 19219	Filter door
450	4819 462 78861	Filter cover
451	4819 532 68309	Filter cover ring
452	4819 466 69367	Filter seal
453	4819 903 02502	Fixing plate for porthole
454	4819 492 48141	Spring for hook
456	4819 401 18349	Lever for hook
458	4819 903 02505	Pin
460	4819 903 02515	Filter/pump connection
461	4819 492 19021	Spring for door
463	4819 401 18429	Hose clamp
464	4819 903 02469	Lever
465	4819 903 03659	Detergent dispenser spring
466	4819 462 79036	Dispenser housing cover

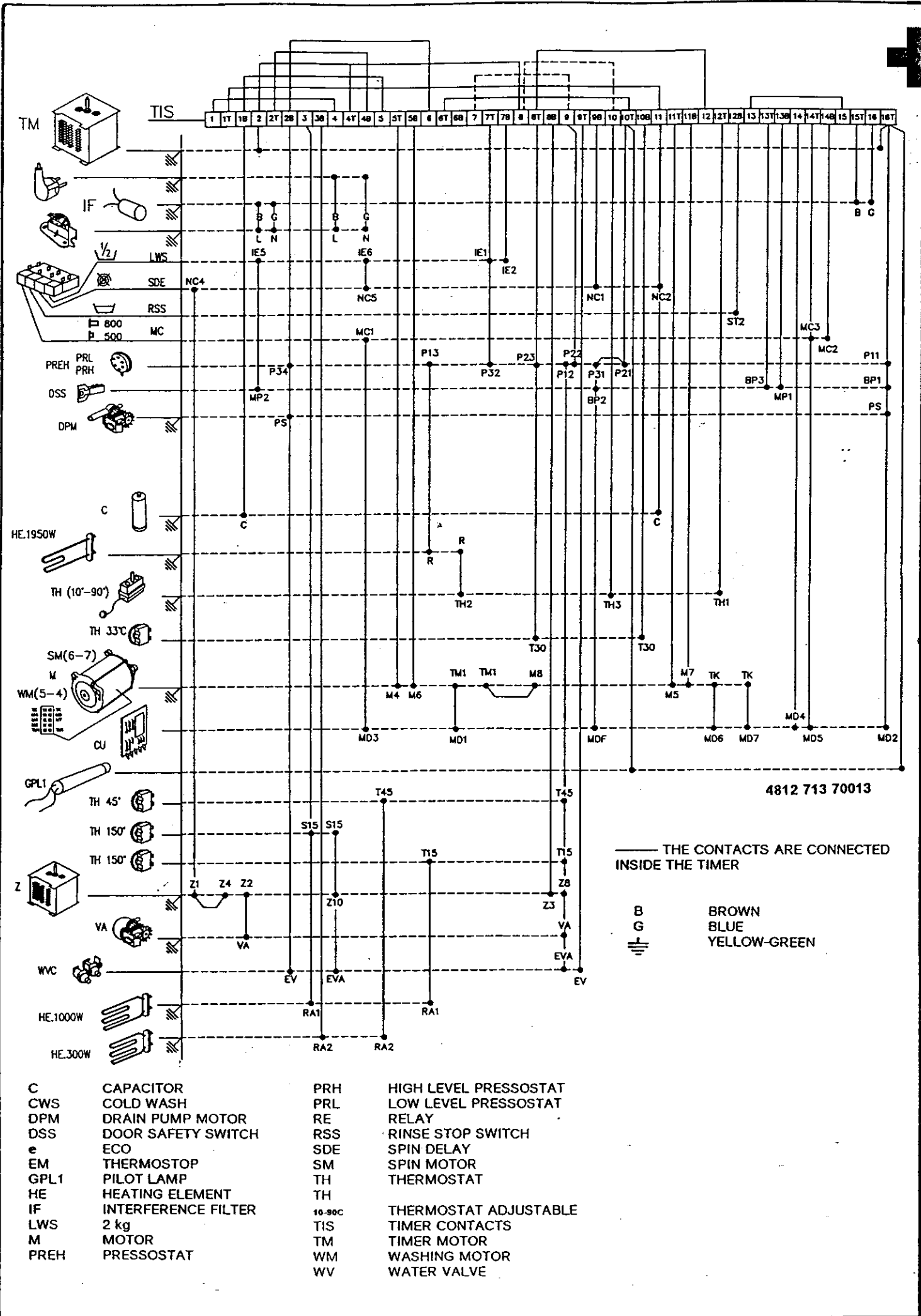
Subject to modification

1.5.6.	Drying timer Type EATON 8314	-drying time: 2 to 116 min. -cooling time: 12 min.	
1.5.7.	Electronic module	Type 85602 220/240	V
1.6.	Thermostat		
	A - a fixed thermostat	33 +-3	C
	B - a fixed thermostat	45 +-3	C
	C - two fixed thermostats drying	150 +-5	C
	D - an adjustable thermostat	10-90 +-3	C
1.7.	Capacitor	22	MicroF
1.8.	Pressostat		
	Low level	14 +-1	I
	High level	17 +-1	I without laundry
1.9.	Push button switch unit Version with 4 buttons having switches for	-2 kg load -No spin -Spin delay -Low/High speed	

Date 12.02.92
Spare part list No. 8537 327 10000
Model **AWG 327 W**
Version 8537 327 10000

Spare part list
for Washing machine

Pos. No.	Spare Part No.	Denomination
607	4819 360 69166	Water sprayer
608	4819 310 38703	Air conveyor (plastic)
610	4819 466 69656	Seal for box cover
611	4819 282 28489	Safety klixon
611A	4819 282 28529	Safety klixon
617	4819 492 68475	Fixing spring for conveyor
618	4819 526 48213	Air conveyor (rubber)
619	4819 466 69657	Seal for conveyor/fan
620	4819 462 79156	Cover for box
621	4819 515 48041	Drying fan
622	4819 282 28527	Klixon
623	4819 530 57019	Seal
624	4819 466 69658	Seal for air conveyor/box
625	4819 360 78276	Box
626	4819 404 49891	Support for drying motor
627	4819 361 18267	Drying motor
628	4819 360 48008	Jet-breaker
634	4819 401 18462	Clamp
635	4819 466 69675	Tub/conveyor seal
636	4819 492 68488	Fixing spring for hose
637	4819 259 98203	Conveyor assy + drying heating elements



4812 713 70013

— THE CONTACTS ARE CONNECTED INSIDE THE TIMER

B BROWN
 G BLUE
 YELLOW-GREEN

- | | | | |
|------|---------------------|--------|-----------------------|
| C | CAPACITOR | PRH | HIGH LEVEL PRESSOSTAT |
| CWS | COLD WASH | PRL | LOW LEVEL PRESSOSTAT |
| DPM | DRAIN PUMP MOTOR | RE | RELAY |
| DSS | DOOR SAFETY SWITCH | RSS | RINSE STOP SWITCH |
| e | ECO | SDE | SPIN DELAY |
| EM | THERMOSTOP | SM | SPIN MOTOR |
| GPL1 | PILOT LAMP | TH | THERMOSTAT |
| HE | HEATING ELEMENT | TH | THERMOSTAT ADJUSTABLE |
| IF | INTERFERENCE FILTER | 10-90C | THERMOSTAT ADJUSTABLE |
| LWS | 2 kg | TIS | TIMER CONTACTS |
| M | MOTOR | TM | TIMER MOTOR |
| PREH | PRESSOSTAT | WM | WASHING MOTOR |
| | | WV | WATER VALVE |

Date 12.02.92
Spare part list No. 8537 327 10000
Model **AWG 327 W**
Version 8537 327 10000

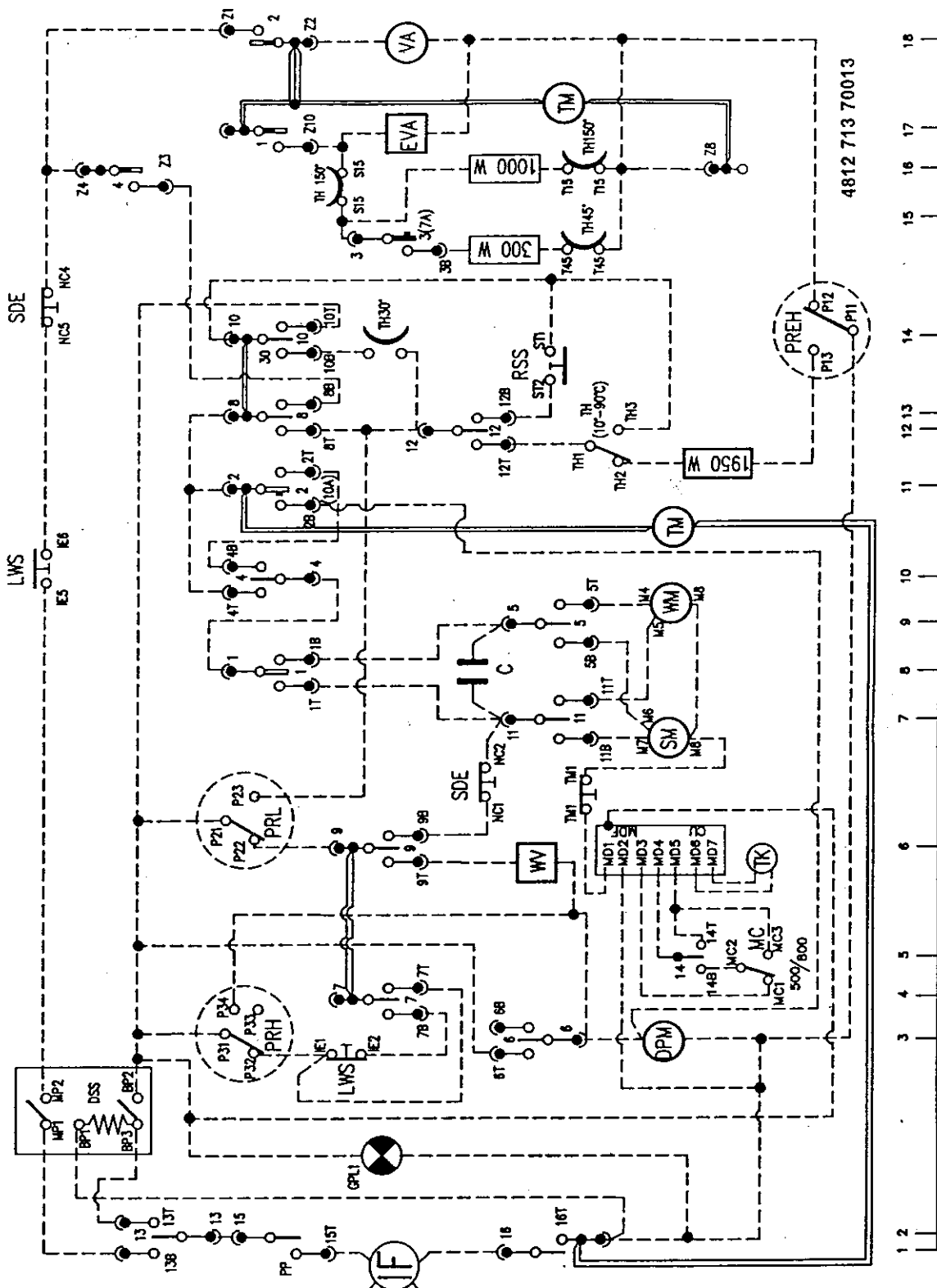
Pos. No.	Spare Part No.	Denomination
101	4819 361 58084	Motor 2/16 pole with speedometer
123	4819 528 88064	Drum pulley
125	4819 358 18041	Drive belt
202	4819 466 69654	Bellow
224	4819 259 27042	Heating element
229	4819 282 38032	Adjustable thermostat
237	4819 282 48094	1 temper. fixed thermostat
266	4819 418 18251	Drum
267	4819 404 49869	Cross piece
332	4819 492 68472	Tub suspension spring
387	4819 466 88802	Upper counterweight
388	4819 310 38496	Fixing kit for upper counterweight
389	4819 418 78192	Tub
390	4819 401 18351	Hose clamp
391	4819 530 28545	Detergent dispenser/tub hose
392	4819 492 68888	Bellow ring (tub side)
393	4819 903 02494	Bellow ring (front panel side)
394	4819 903 02447	Thermostat seal
395	4819 903 02529	Tub clamping ring
398	4819 440 19371	Rear tub plate assy
399	4819 903 03668	Tub seal
401	4819 310 38491	Fixing kit for drum/cross piece
408	4819 466 88794	Lower counterweight
409	4819 530 28581	Tub/pump connecting hose
410	4819 310 38497	Fixing kit for lower counterweight
426	4819 903 03673	Silent block
462	4819 535 97024	Pin for door
468	4819 903 02464	Hose clamp
470	4819 903 03664	Motor protector
471	4819 532 68366	Counterweight bush
472	4819 530 78043	Bearing seal
473	4819 310 38563	Bearing
501	4819 281 68023	Speedometer coil

Model
Version

AWG 327 W
8537 327 10000

Pos. No.	Spare Part No.	Denomination
467	4819 360 69059	Sprayer lever
474	4819 381 18118	Lamp holder
477	4819 310 38651	Liquid detergent housing assy
478	4819 532 78096	Counter frame
521	4819 404 49745	Support
522	4819 462 79471	Drawing handle cover
523	4819 535 98324	Pin
524	4819 492 48138	Spring
600	4819 282 18499	Timer dryer
602	4819 530 28681	Warm water hose
603	4819 530 28687	Hose cold water valve/Y connection
603	4819 530 28687	Hose cold water valve/Y connection
604	4819 526 48209	Cold water valve sprayer
605	4819 526 48211	Y connection/detergent dispenser
606	4819 526 48212	Y connection
629	4819 413 58589	Timer knob

TIMER 1235 800 500 + TH(10°-90°C) + TEMPORIZZATORE EATON 8314
 DRYER

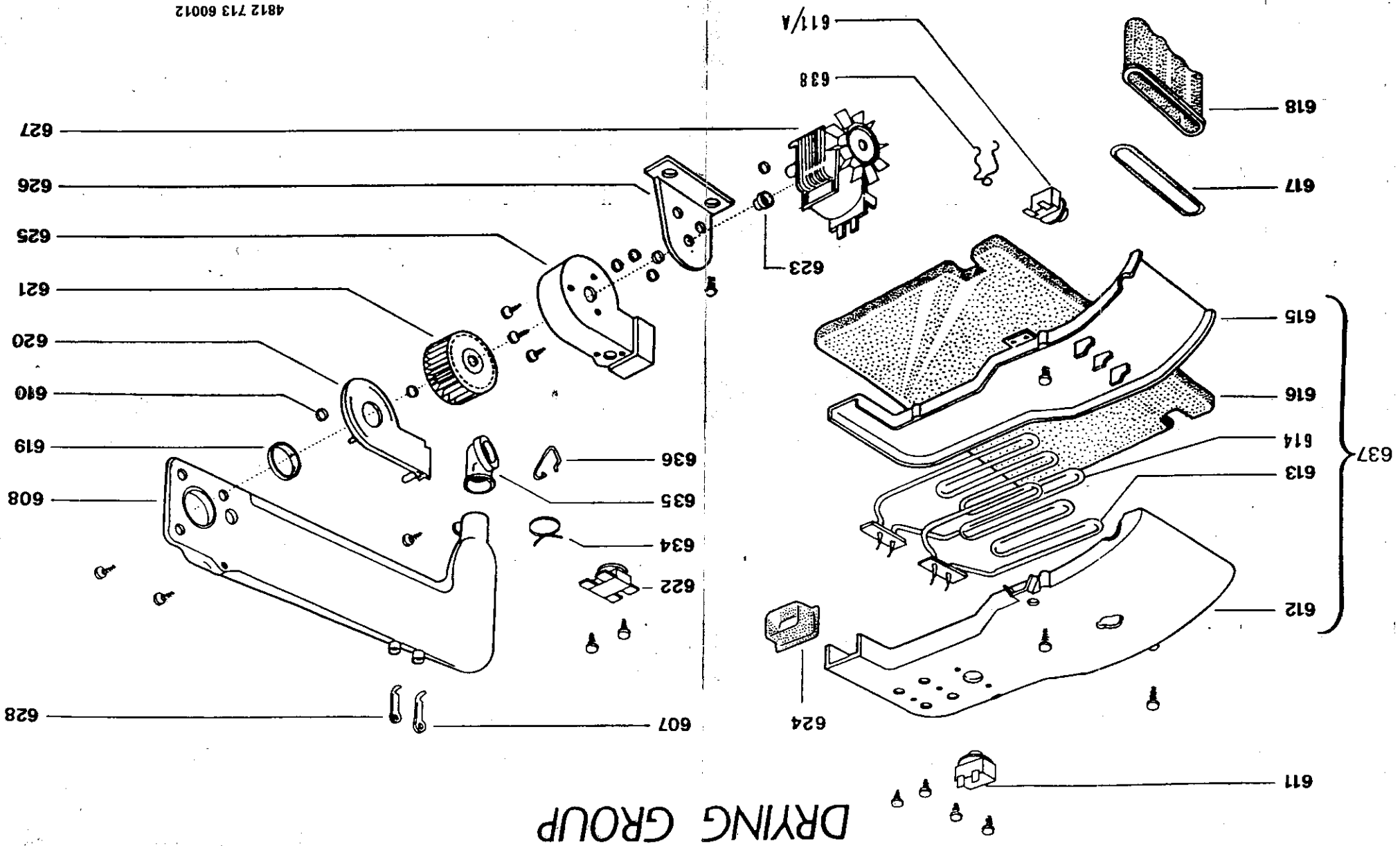


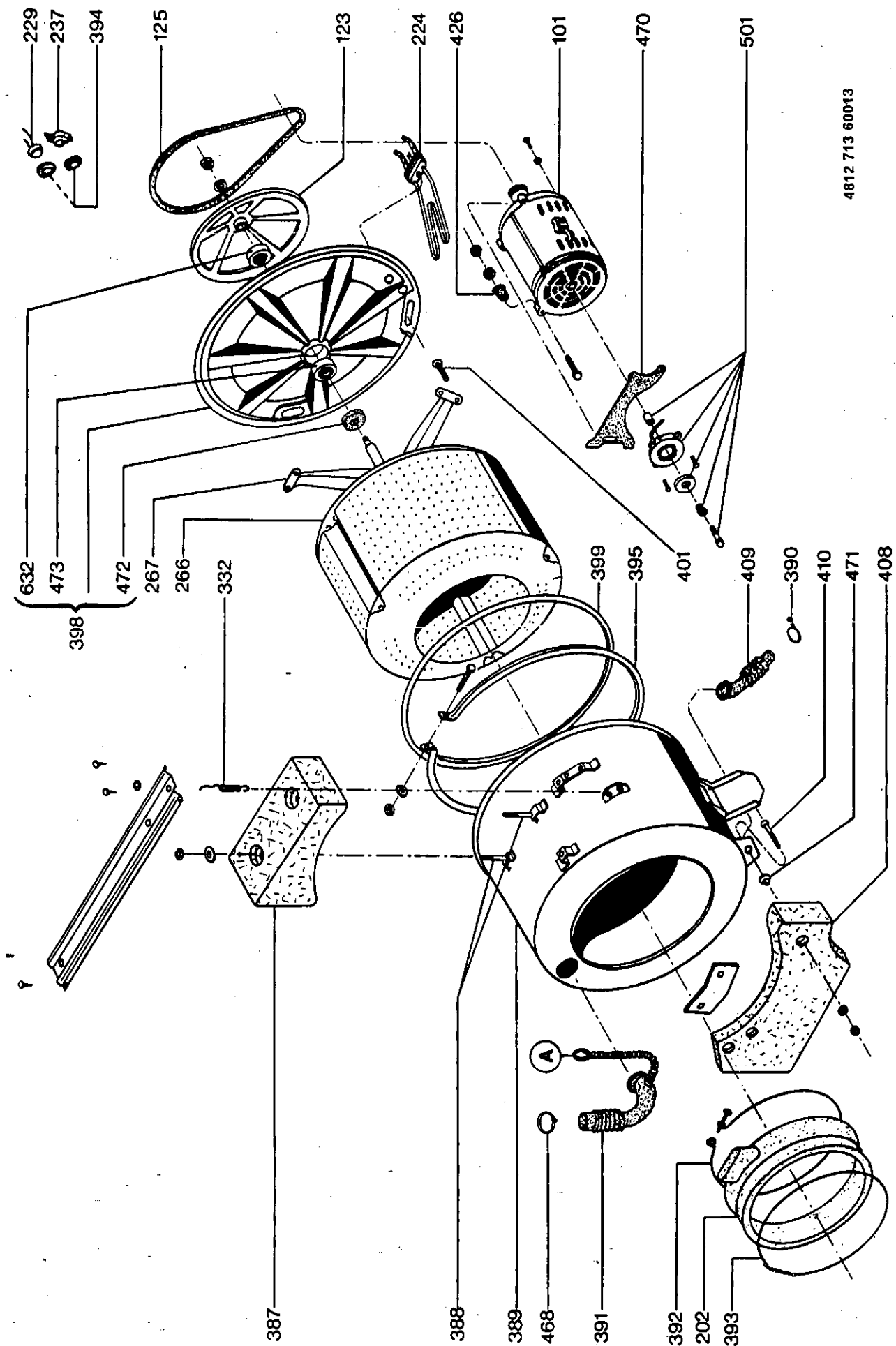
4812 713 70013

- REVERSER CONTACTS OPERATED BY THE FAST CAMS
- TIMER CONTACTS OPERATED BY THE SLOW CAMS
- DOUBLE ACTION CONTACTS (OPERATED BY THE FAST CAMS DURING WASHING)
- CONNECTIONS INSIDE THE TIMER
- CONNECTIONS OUTSIDE THE TIMER

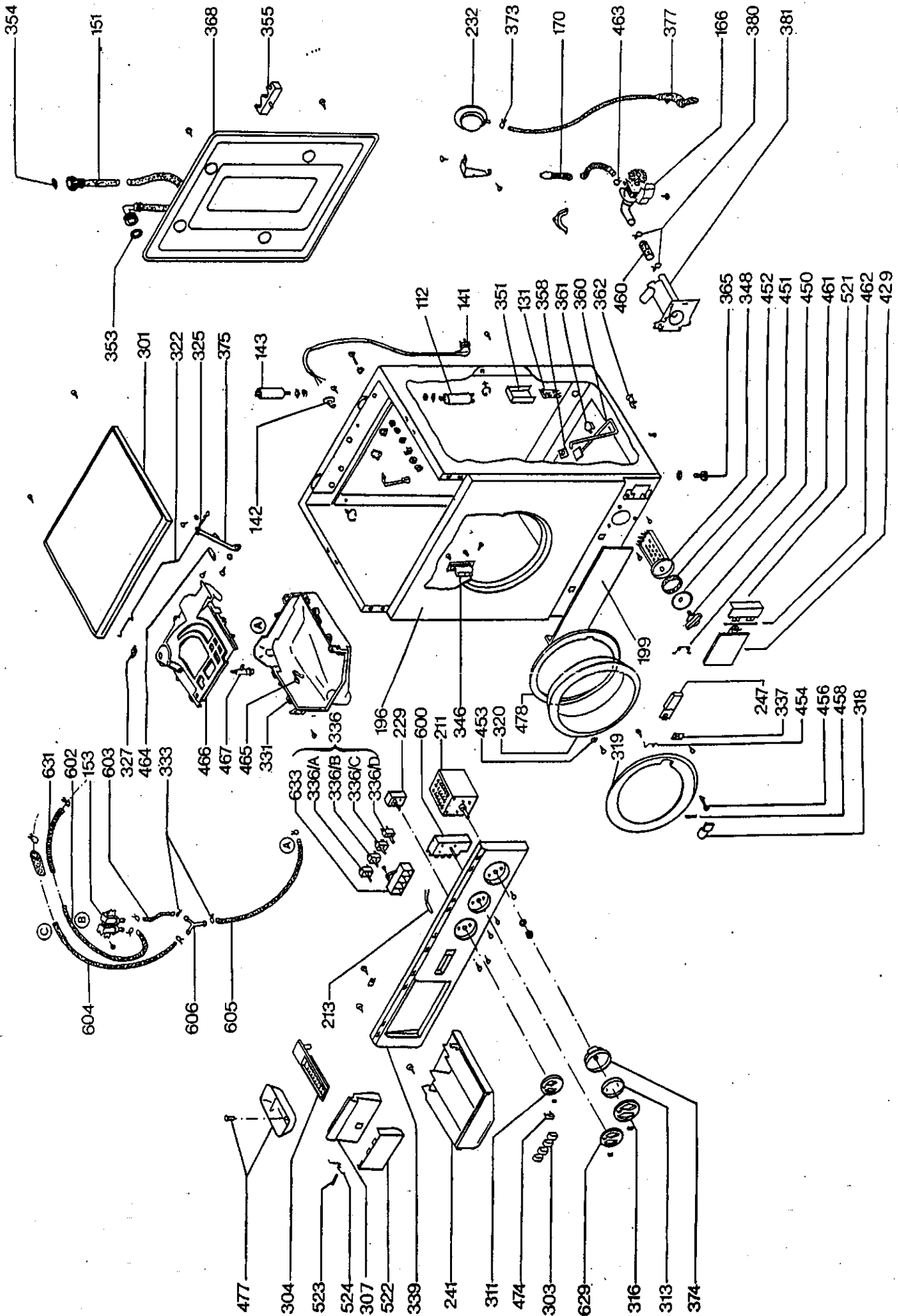
1 2 3 4 5 6 7 8 9 10 11 12 13 14 15 16 17 18

4812 713 60012





4812 713 60013



4812 713 60011

Free Manuals Download Website

<http://myh66.com>

<http://usermanuals.us>

<http://www.somanuals.com>

<http://www.4manuals.cc>

<http://www.manual-lib.com>

<http://www.404manual.com>

<http://www.luxmanual.com>

<http://aubethermostatmanual.com>

Golf course search by state

<http://golfingnear.com>

Email search by domain

<http://emailbydomain.com>

Auto manuals search

<http://auto.somanuals.com>

TV manuals search

<http://tv.somanuals.com>