



Service Manual

Washing machine

Frontloader

AWG166/WH-2

Model Version		Page
	AWG166/WH-2	
	8537 166 70330	
	Technical data	2
	Spare part list	3
	Exploded view	4 - 5
	Wiring diagram	6
	Circuit diagram	7
	Program diagram	8

This documentation is only intended for qualified technicians who are aware of the respective safety regulations.

Date: 19.09.2002

Document-No.: 4812 712 17913

Subject to modification

Technical data

Dimension

Height	85	cm
Width	59.5	cm
Depth	53	cm

Weight

Gross	~ 74.5	kg
Net	~ 73	kg

Main connection

Voltage	110+6%,-10%V	
Frequency	60	Hz
Power Consumption	1660	W
Fuse rating	16	A

Drum data

Volume	42.5	l
Spinning :		
Cotton/synthetics (washing-rinsing)	50/60	rpm
Speed spinning	500	rpm

Capacity of dry laundry

Loading - washing max.	4.5	kg
------------------------	-----	----

Heating

Type	Tubular radiator	
Rated power draft:	1450	W
Voltage	110	V

Drain pump

Power	~34	W
Capacity	20 - 25	l/min
Rotation speed	~2500	rpm
Height of draining hose:		
max.	0.90	m
min.	0.60	m

Motor

Type	Asynchronous	
	2/16	poles

Capacitor

	55	μ F
--	----	-----

Timer washing

Type	1375-02	
Frequency	60	Hz
The timer chart includes	2 basic programs :	
	- normal washing	
	- delicate washing	

Thermostat

A- fixed thermostat	33	°C
B- adjustable thermostat	0 - 60	°C

Pressostat (without laundry)

Low level	~ 17 ± 1	l
High level	~ 22 ± 1	l

Water valve

Capacity max.	7	l/min
Working pressure	0.5-10	kg/cm ²
max.	5 -100	N/cm ²

Push button switch unit

Version with 2 buttons :	
- On/off	AS
- Half load	LWS

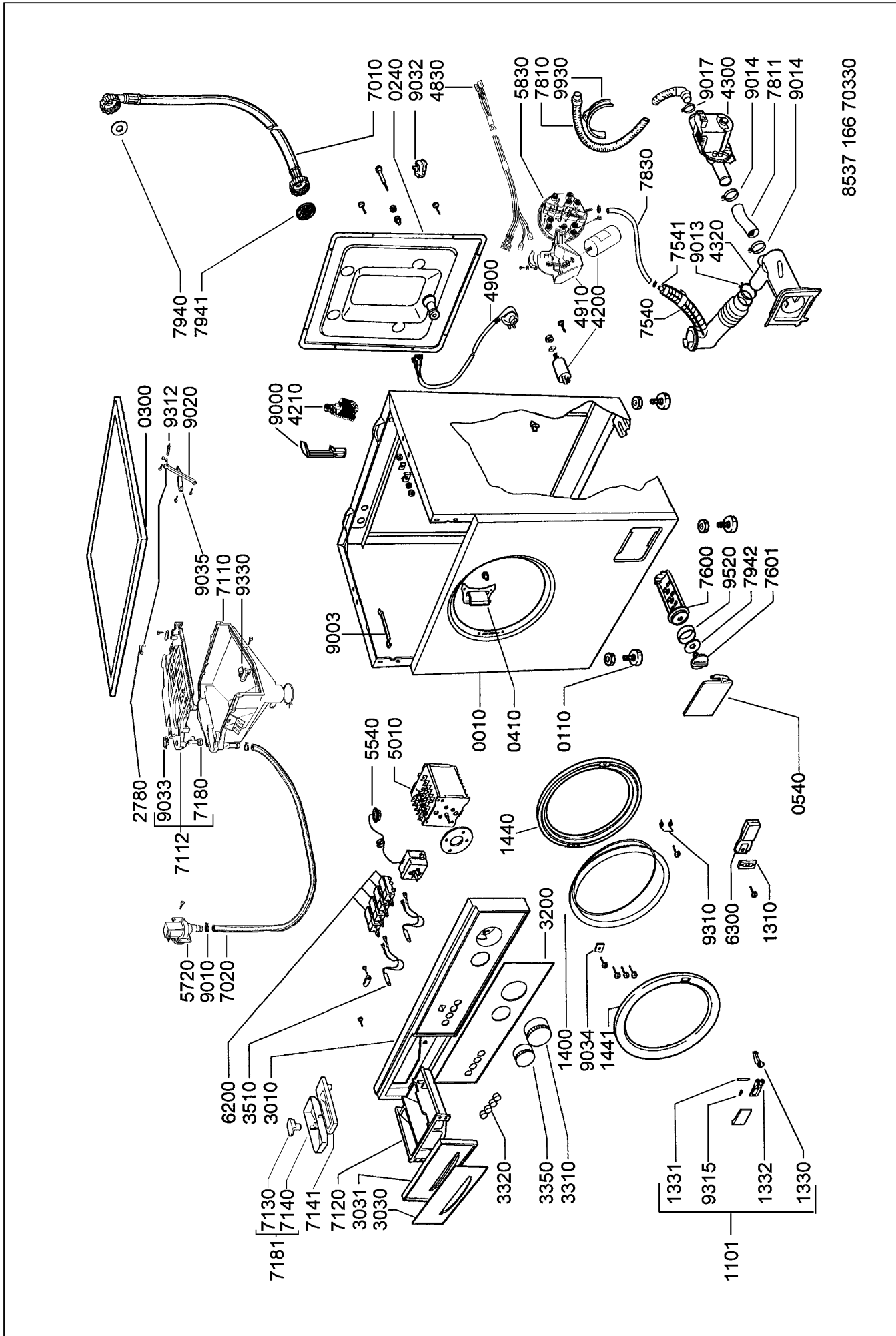
Spare part list

Model **AWG 166/WH-2**
Service No. **853716670330**
Version **853716670330**

Pos. No.	12NC Code	Description
001 0	4819 440 19821	Cabinet
003 0	4819 404 43391	Bearer hook crosspiece
011 0	4819 462 47014	Foot adjustable
024 0	4819 903 03649	Panel, rear
030 0	4819 440 19577	Table top
041 0	4819 417 19534	Hinge
054 0	4819 462 79958	Cover
061 0	4819 466 89475	Counter weight
061 1	4819 466 89461	Counter weight bottom
083 0	4819 466 47003	Friction plate
086 0	4819 903 03669	Spring
086 1	4819 502 18389	Fastener
086 2	4819 310 39573	Kit fixation
086 3	4819 466 89132	Fastener counter weight
086 5	4812 904 48019	Friction pad unit
110 1	4819 498 78472	Handle cpl.
131 0	4819 903 10159	Lock Plate
133 0	4819 903 10175	Door latch
133 1	4819 903 10174	Pin handle
133 2	4819 903 10176	Door catch lever
140 0	4812 450 58442	Door glass
143 0	4819 903 02494	Strap
144 0	4819 903 10179	Frame,door glas
144 1	4812 459 28046	Glassdoor frame
144 2	4819 532 88054	Collarring
190 0	4819 468 18365	Gasket, door
200 0	4819 418 18375	Tub
201 0	4819 440 19881	Tub cover a. bearing
201 1	4819 532 28273	Ring
201 3	4819 532 28274	Ring
210 0	4819 903 03688	Crosspiece
220 0	4819 418 18246	Drum
220 1	4819 903 03676	Drum
271 0	4819 358 18154	Belt
272 0	4819 903 03672	Pulley
278 0	4819 535 98468	Shaft
291 0	4819 903 03668	Gasket tub
301 0	4812 460 78984	Control panel
303 0	4812 460 79056	Insert f.Handle
303 1	4819 498 69836	Handle, drawer
320 0	4812 452 11818	Insert panel
331 0	4812 412 48031	Knob,timer
332 0	4819 410 28605	Button,push
335 0	4812 413 59122	Knob thermostat
351 0	4812 134 48293	Pilot lamp
401 0	4812 361 58325	Motor
420 0	4812 121 18227	Capacitor 55 µ F
421 0	4812 121 18216	Interf.filter
430 0	4812 360 18507	Pump,draining
432 0	4819 480 58137	Filter body
451 0	4812 259 28794	Heating element
483 0	4812 321 78163	Cable harness
490 0	4812 321 18189	Cable,mains
491 0	4812 290 68234	Connect.block
501 0	4812 328 18187	Timer 1375-02

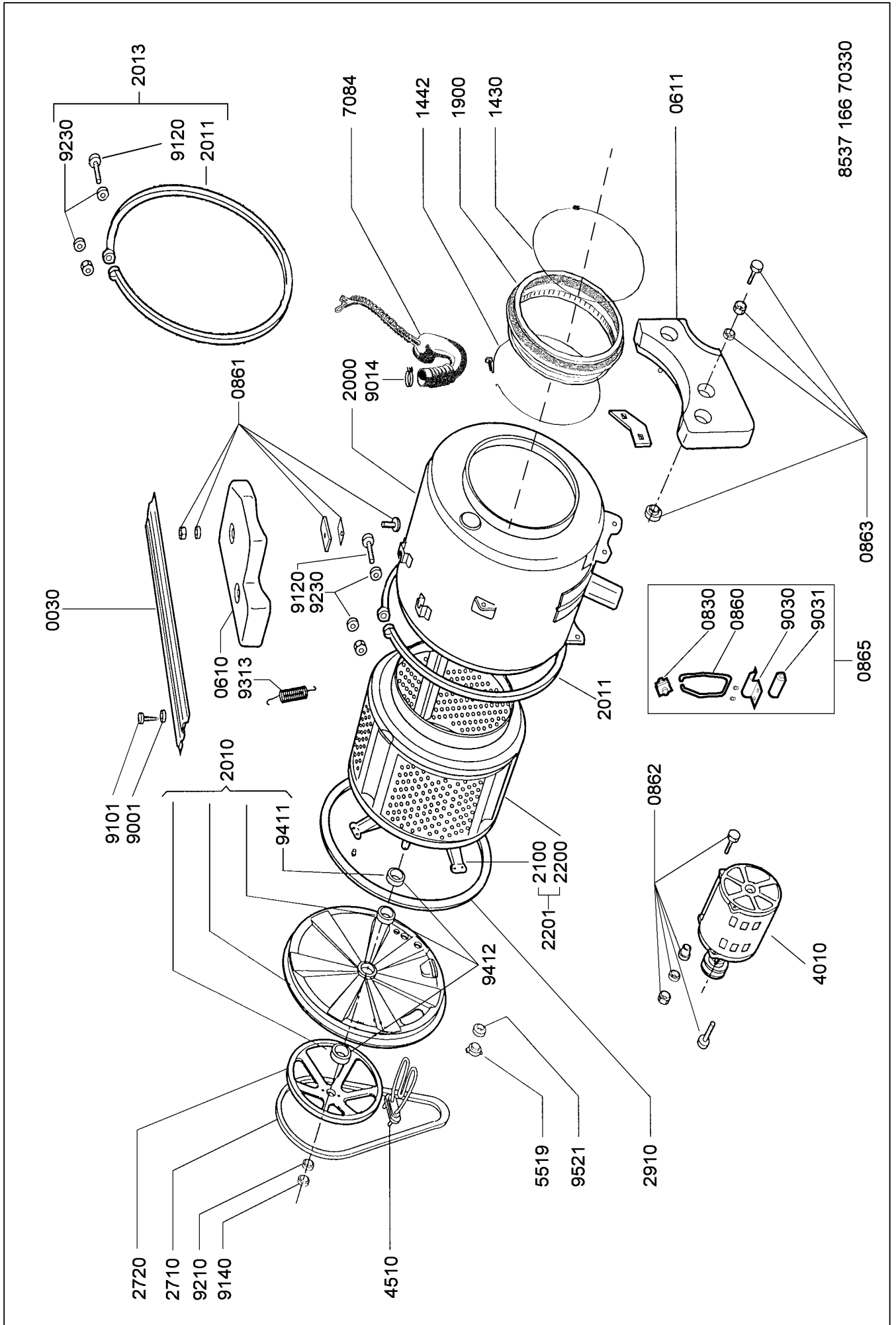
Pos. No.	12NC Code	Description
551 9	4819 282 48094	Thermostat 33 deg.C.fix
554 0	4812 282 08624	Thermostat adjustable
572 0	4812 281 28433	Valve,magnet cold water
583 0	4819 271 28872	Pressostat
620 0	4819 276 38336	Switch on/off
630 0	4812 280 58028	Door lock
701 0	4819 530 28932	Hose, inlet 1.5 m cold water
702 0	4819 530 29024	Hose, inlet
708 4	4819 530 28545	Drainhose inner
711 0	4819 418 78068	Dispenser
711 2	4819 462 79036	Cover dispenser housing
712 0	4819 418 78067	Drawer
713 0	4819 418 78989	Accessory deterg. fluid
714 0	4819 418 78988	Container liquid detergent
714 1	4819 418 78166	Tray bleach
718 0	4819 360 69853	Nozzle
718 1	4819 310 38651	Accessories liquid detergent
754 0	4819 530 28862	Drainhose
754 1	4819 530 29038	Chamber,air
760 0	4819 480 58082	Filter
760 1	4819 462 78861	Grip filter
781 0	4812 530 29045	Hose,draining
781 1	4819 903 02515	Hose
783 0	4819 530 28908	Hose Pressostat
794 0	4819 903 04978	Gasket
794 1	4819 310 38057	Gasket
794 2	4819 532 68309	Cover filter
900 0	4819 401 18737	Hook
900 1	4819 466 98528	Clamping piece
900 3	4819 404 78867	Bracket
901 0	4822 401 10258	Clamp,hose 10-18 mm
901 3	4819 401 18351	Clamp,hose
901 4	4819 401 18174	Clamp,hose 25-45 mm
901 7	4819 401 18429	Clamp
902 0	4819 535 98469	Lever
903 0	4819 492 68392	Clamp
903 1	4819 903 02535	Silent bloc
903 2	4819 401 18782	Holder,hose
903 3	4819 903 02466	Lever
903 4	4819 903 10167	Door glass insert
903 5	4819 903 02469	Rocker
910 1	4819 502 18347	Screw
912 0	4819 502 18345	Screw
914 0	4819 505 13084	Nut
921 0	4819 532 13433	Washer pulley
923 0	4819 532 68707	Washer
931 0	4819 903 10178	Spring
931 2	4819 903 02471	Spring
931 3	4819 492 68872	Spring,tension
931 5	4819 903 10172	Spring,ret.
933 0	4819 903 03659	Spring,tension
941 1	4812 530 78048	Shaft seal
941 2	4819 310 38768	Bearing, kit
952 0	4819 466 69816	Gasket
952 1	4819 903 02447	Gasket thermostat
993 0	4819 401 18345	Bow

Exploded view



8537 166 70330

Exploded view



8537 166 70330

0863

0865

4010

2720
2710
9210
9140

4510

5519
9521

2910

2100
2200
2201

9411

2010

9101
9001

0610
9313

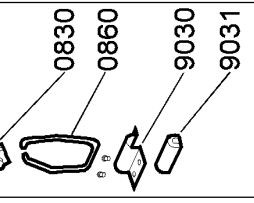
0030

9120
9230

0861

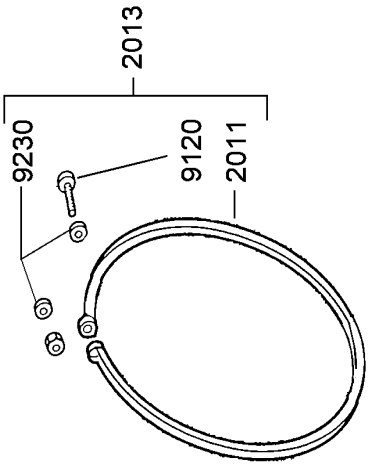
2000
9014

2011



0862

0611



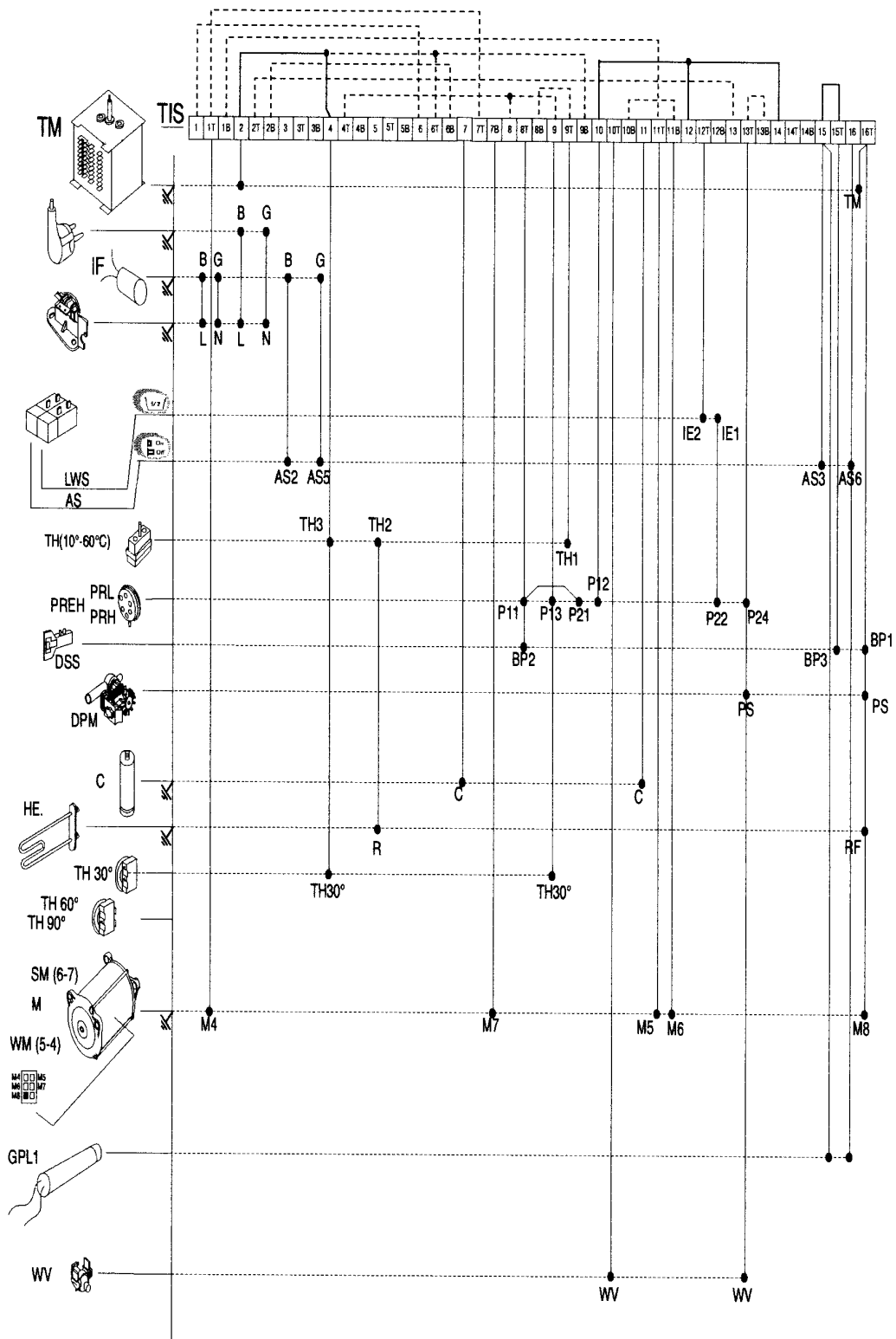
2013

9230

9120

2011

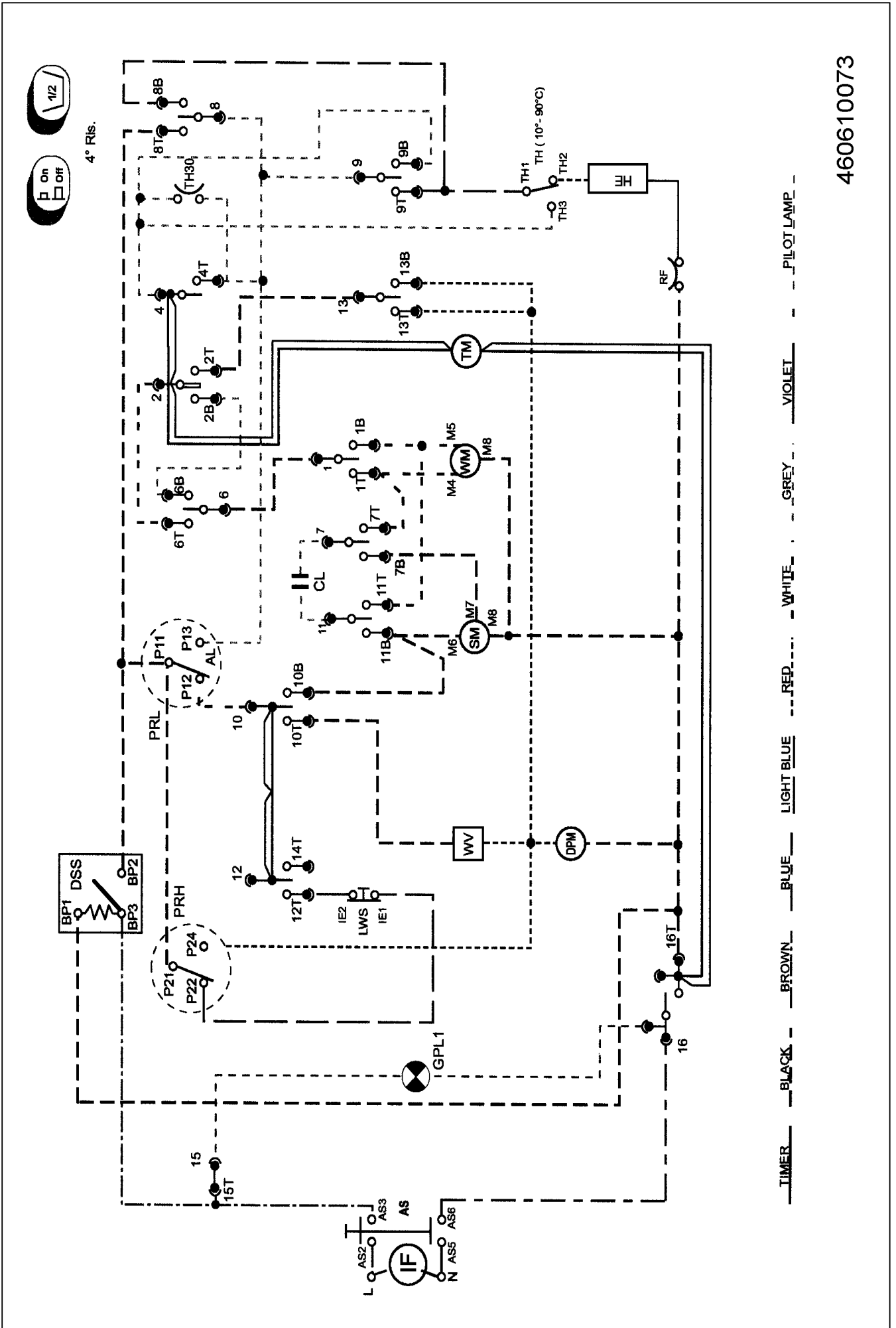
Wiring diagram



- | | | | |
|------------------------------------|---------------------------------|--|-----------------------|
| TM Timer motor | DSS Micro delay switch | ER Extra rinse button | B Brown |
| EM Thermostop | DPM Drain pump motor | TH (10°-90°C) Adjustable thermostat | G Blue |
| IF Interference filter | VAT Variable temperature | TH Klaxon | ⏏ Yellow-Green |
| RSS Spin delay button | VSS Variable spin speed | M Main motor | |
| SDE No spin button | TR Thermal resistivity | SM Spin-dry motor | |
| LWS Half load button | TK Tachometer | WM Wash motor | |
| e Eco button | WV Water valve | CU Control unit | |
| CWS Cold wash button | CC Spin capacitor | C Capacitor | |
| PRL Low level pressostat | CL Wash capacitor | MC Low/high speed | |
| PRH High level pressostat | HE Heating element | GPL1 Pilot lamp | |
| WVC Water valve (cold fill) | RE Relay | GPL2 Door pilot lamp | |
| WVW Water valve (hot fill) | RF Heating protector | | |
| PREH Pressostat | AS ON - OFF button | | |

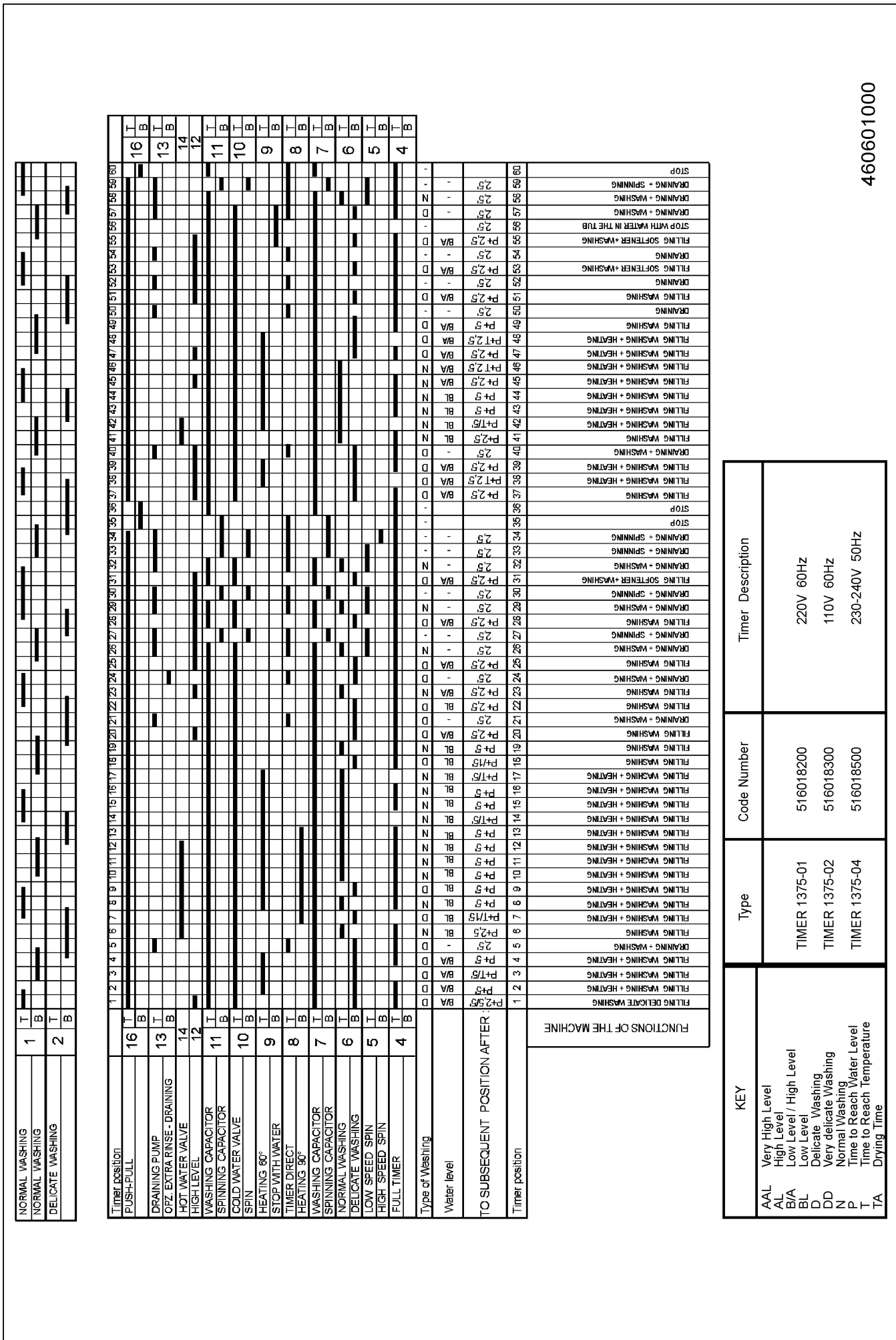
550070700

Circuit diagram



460610073

Program diagram



460601000

Free Manuals Download Website

<http://myh66.com>

<http://usermanuals.us>

<http://www.somanuals.com>

<http://www.4manuals.cc>

<http://www.manual-lib.com>

<http://www.404manual.com>

<http://www.luxmanual.com>

<http://aubethermostatmanual.com>

Golf course search by state

<http://golfingnear.com>

Email search by domain

<http://emailbydomain.com>

Auto manuals search

<http://auto.somanuals.com>

TV manuals search

<http://tv.somanuals.com>