

WHIRLPOOL BRAND COMMERCIAL WASHERS



DIRECT DRIVE SYSTEM

27" heavy-duty commercial washers feature the

Direct-Drive, No-Belt washing system for greater reliability, reduced down time and increased profits.

LARGE CAPACITY WASH BASKET

Ideal for handling family size loads!



HIGH AND LOW WATER LEVEL

Reduce water consumption to 23.22 gallons per cycle!*

*Based on low water level, 3 lb. load



TRIPOD SUSPENSION

Sturdy tripod-suspension with active liquid

filled balance ring reduces product weight while balancing commercial size laundry loads.



RUST PROOF SCREWS

Rust proof Stainless Steel Torx® control

panel screws give your machines added security and service life!



SEALED HIDDEN LID SWITCH

To help ensure safe operation, Whirlpool®

commercial washers feature a lid switch that is truly hidden. Not only does this prevent tampering, it ensures that the washer will not operate when the lid is open.

HIGH EFFICIENCY COMMERCIAL WASHER

Featuring Factory Installed Coin Slide and Coin Box



NEW
FACTORY
INSTALLED
TOP LOCK

2007
Federal Energy
Compliant

MEF 1.42
WF 8.95
RMC 50.6%

CAM2742TQ — 27" 2-Speed Washer with Factory Installed Coin Slide and Coin Box

90 DAY FACTORY LABOR WARRANTY!

- 3.2 Cu. Ft. Wash Basket, 18 Lbs. UL
- 2 Piece Auger Agitator for Improved Washability
- Push Button Controls
- High Efficiency, Low Water Factor
- 3 Cycles: Heavy (Hot/Cold), Permanent Press (Warm/Cold) and Colorfast (Cold/Cold) to Provide the Right Washing Conditions for a Wide Range of Fabrics
- Two-Speed Advantage with True Gentle Wash, High Speed Spin Only!
- Deep Rinse System, Automatic Temperature Control 115°H 85°W
- Hidden Lid Switch
- High Speed Spin 640 RPM (Approx.)
- Galvanized, Heavy Gauge Cabinet Back Panel
- Heavy Duty Motor Coupler Isolator Tested to 20,000 Cycles!*
- 1/2-HP Motor with Built-In Overload Protector: 120-Volt, 60 Hz., A.C. Agitation Speed 180 SPM/High 120 SPM/Low
- Reliable, Direct-Drive NO-BELTS Drive System, Front and Bottom Serviceable
- Residential grade inlet hoses and corrugated drain hose included
- 3 Cycle Indicator Lamps
- 23.22 Gallons Minimum Water Usage per Cycle (Low Water Level, 3 Lbs. Load)
- 8 Quarter Coin Slide Capacity, Set Your Wash Price from \$0-\$2 per Cycle (\$1 Factory Preset)
- **90 Day Labor/2 Year Limited Parts Warranty**

* Testing completed 11/12/2001

** Call 1-800-NO-BELTS for warranty details

To locate a distributor near you, please visit

www.whirlpoolcommerciallaundry.com/distributor, or call 1-800-NO-BELTS.

Download from www.Somanuals.com. All Manuals Search And Download.

COMMERCIAL WASHER SPECIFICATIONS

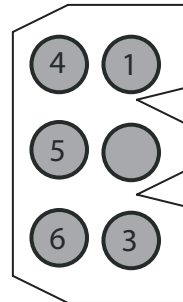
WASHER SPECIFICATIONS

MODEL NUMBER	CAM2742TQ
GENERAL INFORMATION Factory installed coin slide and coin box. Set your wash price from \$0 - \$2 per cycle (\$1.00 factory present) Stainless steel look push button console, hidden lid switch, powdered paint finish top, lid and cabinet, galvanized back, improved meter case, inlet hoses and corrugated drain hose included.	High Efficiency Deep Rinse, Electronic Temperature Control, Super Capacity 3.2 Cu. Ft. Basket, High and Low Water Level Settings, 2007 Federal Energy Compliant
MOTOR 120-Volt 1/2-HP Direct-Drive with Built-In Overload Protector	Two-Speed Advantage with True Gentle Wash High Speed Spin Only!
AGITATION STROKES PER MINUTE/AMPERAGE	180 SPM/High (5.0 Amps No Load) 120 SPM/Low (5.0 Amps No Load)
MAXIMUM RATED CURRENT	9.8 Amps (120-Volt)
MOTOR RPM	1725 High, 1140 Low
SPIN RPM	640 High
ELECTRICAL REQUIREMENTS Subject to Local Codes	120V, 60 Hz., A.C. Standard 15 Amp Breaker/Fuse Branch Circuit for Each Washer
DIMENSIONS See Illustration Below	43" H (at Metercase Top), 35" H (at Lid), 27" W, 25.5" D
SHIPPING WEIGHT (EST.)	184 Lbs.
BASKET VOLUME	3.2 Cu. Ft. (18 Lbs U.L.)

Dimensions are for planning purposes only. For complete information, see installation instructions packed with product.

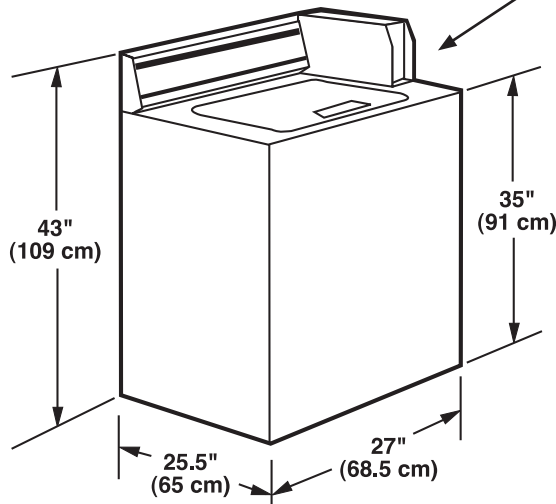
NEW YORK CITY M.E.A.

PIN	FUNCTION
5 to neutral	Remote cycle start with remote relay closure
1 to 4	Changes state every 30 seconds
3 to 6	Cycle Counter

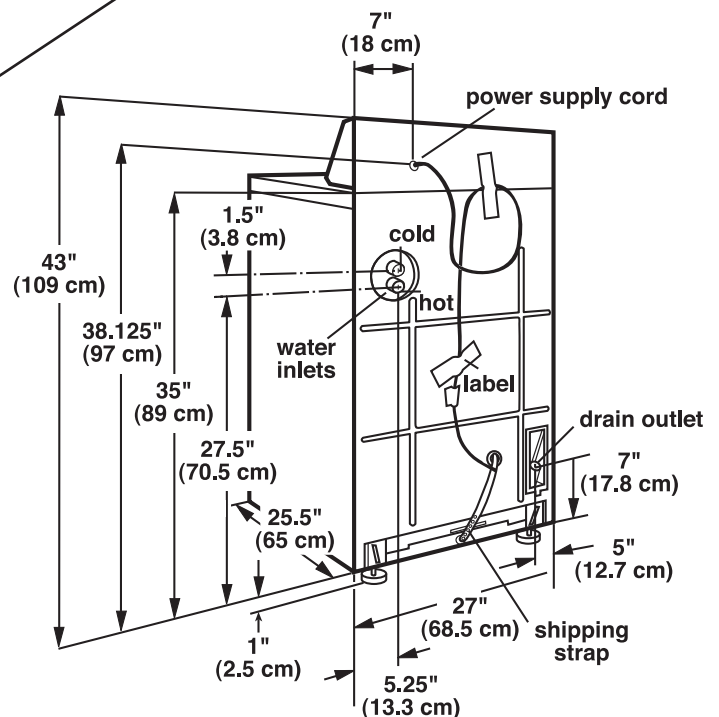


E-Z Wiring Harness Feature Connector for connection to money acceptors (located under top cover)

Energy information is available online at www.whirlpoolcommerciallaundry.com/products



WASHER FRONT VIEW



WASHER BACK VIEW

Free Manuals Download Website

<http://myh66.com>

<http://usermanuals.us>

<http://www.somanuals.com>

<http://www.4manuals.cc>

<http://www.manual-lib.com>

<http://www.404manual.com>

<http://www.luxmanual.com>

<http://aubethermostatmanual.com>

Golf course search by state

<http://golfingnear.com>

Email search by domain

<http://emailbydomain.com>

Auto manuals search

<http://auto.somanuals.com>

TV manuals search

<http://tv.somanuals.com>