

PARTS LIST

for



COMMERCIAL AUTOMATIC WASHER

MODEL
CAM2742TQ0
CAM2742TQ2



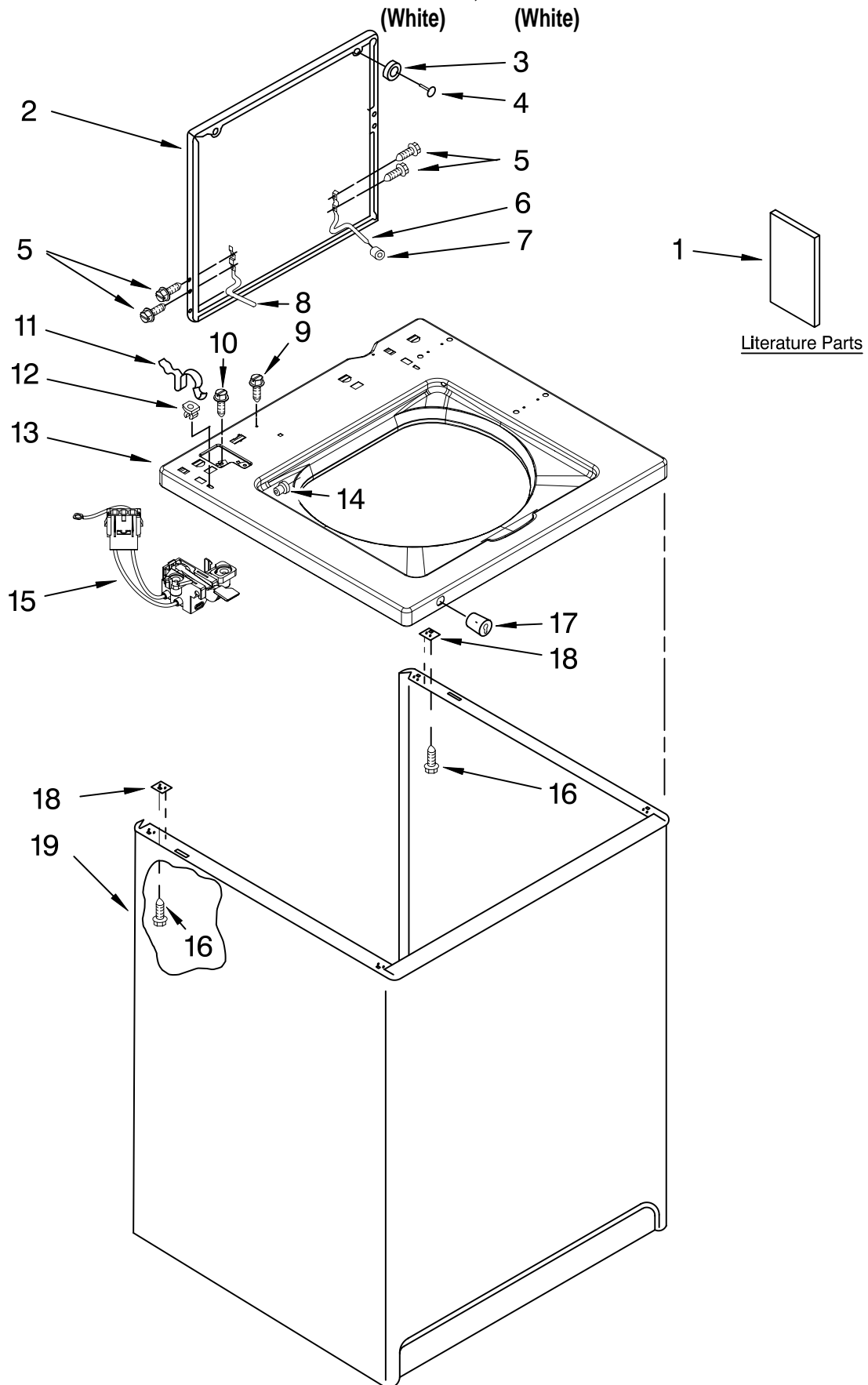
FOR CUSTOMER SATISFACTION ALWAYS USE
FACTORY SPECIFICATION PARTS



Whirlpool CORPORATION
Benton Harbor, Michigan.

TOP AND CABINET PARTS

For Models: CAM2742TQ0, CAM2742TQ2



FOR ORDERING INFORMATION REFER TO PARTS PRICE LIST

TOP AND CABINET PARTS

For Models: CAM2742TQ0, CAM2742TQ2

(White) (White)

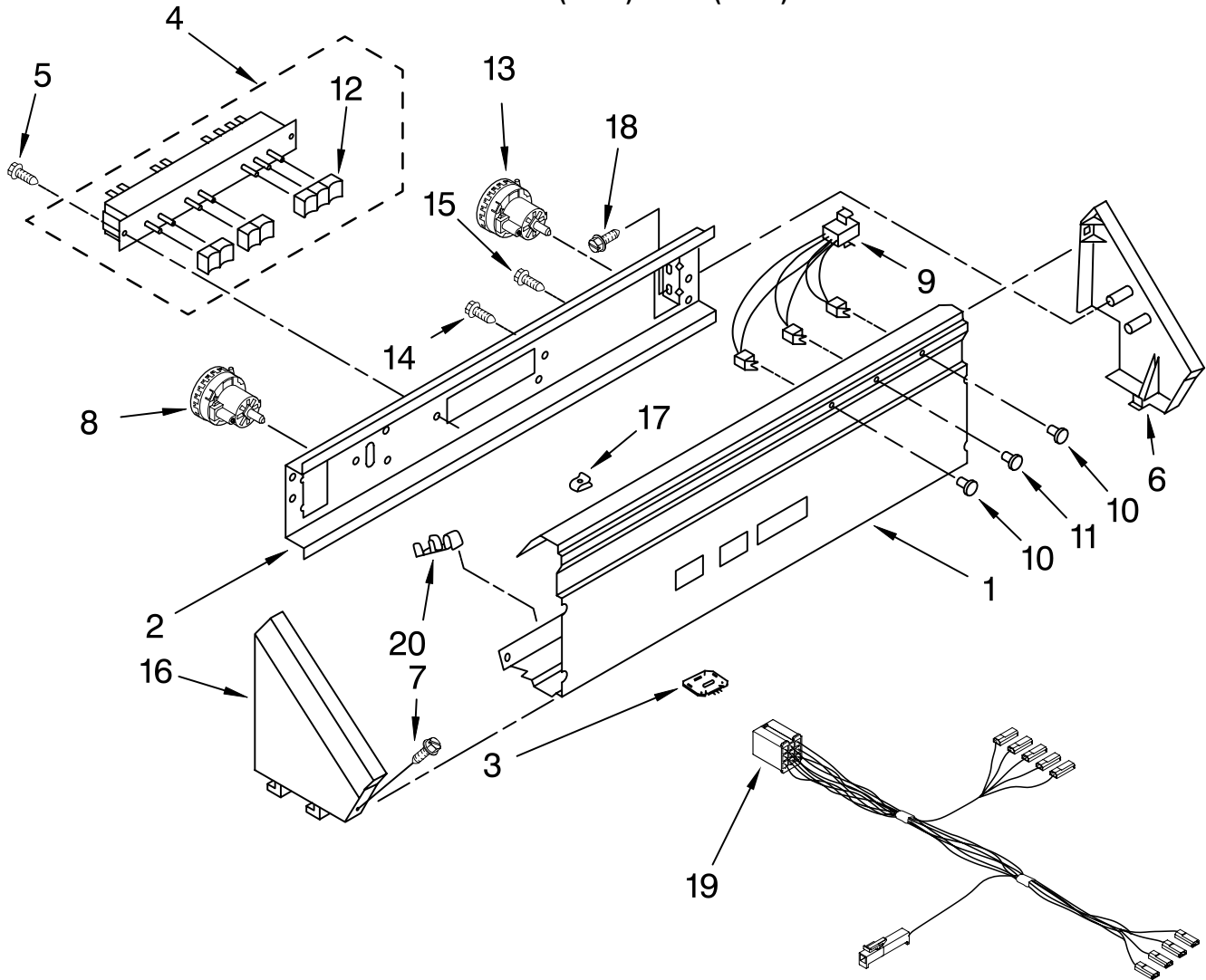
Illus. No.	Part No.	DESCRIPTION
1		Literature Parts
	8316532	Instructions, Coin Kit
	W10135801	Wiring Diagram
	W10172194	Energy Guide
	W10114743	Repair Parts List
2	W10173243	Lid
3	356908	Bumper, Lid
4	356907	Rivet, Plastic
5	W10119828	Screw, Lid Hinge Mounting (4)
6	54583	Hinge, Lid (R.H.)
7	19119	Bumper, Lid Hinge
8	8524784	Hinge, Lid (L.H.)
9	3351614	Screw, Ground
10	3400611	Screw, Lid Switch
11	62780	Clip, Top & Cabinet & Rear Panel (2)
12	358473	Nut, Push-In (2)
13	W10114733	Top
14	21258	Bearing, Lid Hinge (2)
15	8054980	Switch, Lid
16	3390631	Screw, 10-16 X 3/8
17	387371	Plug Lock
18	62750	Spacer, Cabinet To Top (4)
19	63424	Cabinet

FOR ORDERING INFORMATION REFER TO PARTS PRICE LIST

CONTROL PANEL PARTS

For Models: CAM2742TQ0, CAM2742TQ2

(White) (White)



Illus. No.	Part No.	DESCRIPTION
1	8577883	Panel, Console
2	3978858	Bracket, Control
3	8578168	Control, Automatic Temp. (ATC)
4	8577359	Switch, Cycle Selector (Includes Item 12)
5	3390646	Screw, 8-18 X 5/16

Illus. No.	Part No.	DESCRIPTION
6	3949740	End Cap (R.H.)
7	8281182	Screw (2)
8	8573825	Pressure Switch, High Water Level (Includes "T" Fitting-Not Shown)
9	3352457	Lights, Indicator
10	3348109	Lens, Amber (2)
11	3348110	Lens, Yellow (1)
12	8316433	Pushbutton (7)

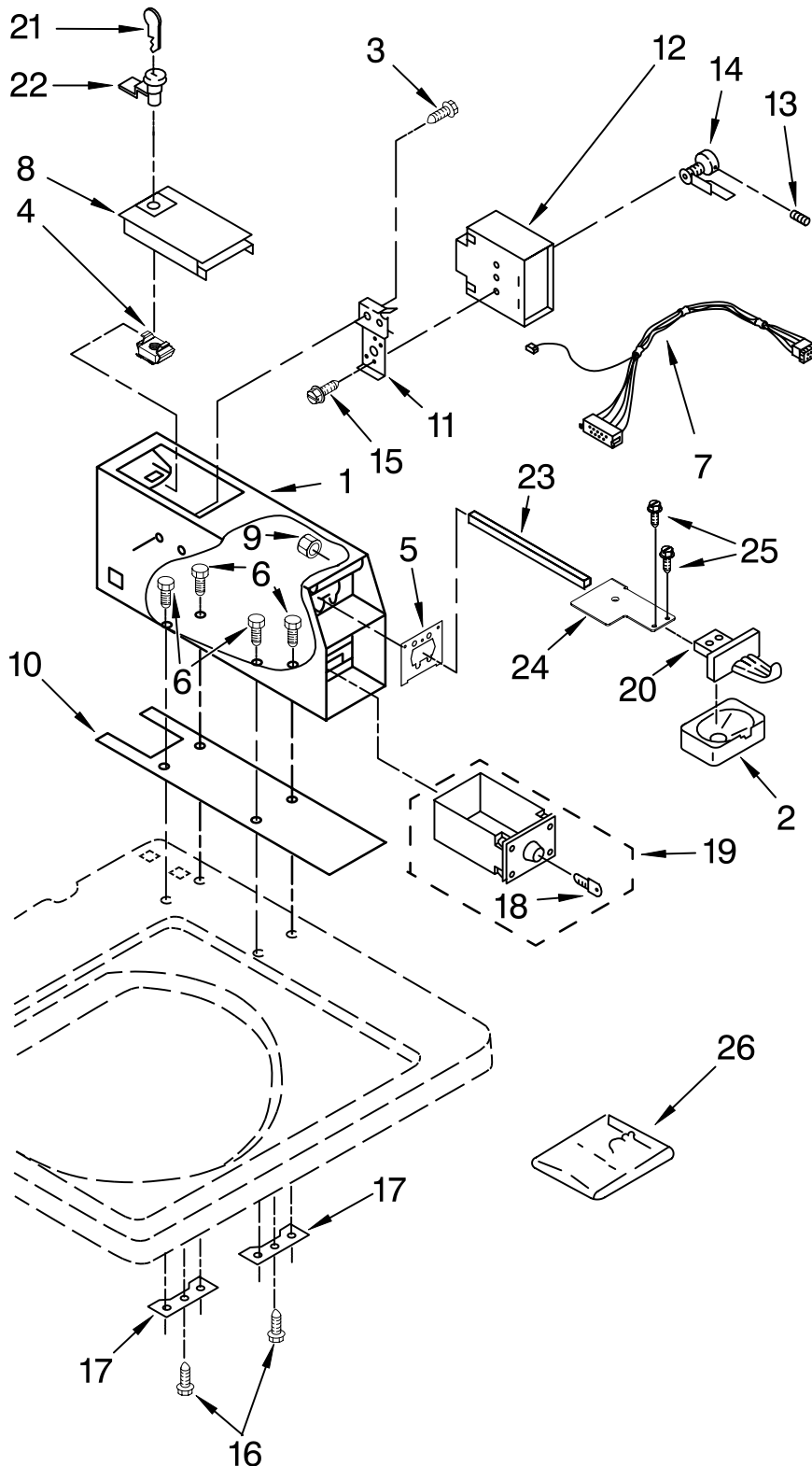
Illus. No.	Part No.	DESCRIPTION
13	8524802	Pressure Switch, Low Water Level
14	3400073	Screw, 10-24 x 3/8
15	90767	Screw, 8-18 x 3/8 (2)
16	3949734	End Cap (L.H.)
17	689559	Nut, Push-In (2)
18	97787	Screw, End Cap To Bracket (4)
19	W10138030	Harness, Console
20	357572	Clip, Grounding

FOR ORDERING INFORMATION REFER TO PARTS PRICE LIST

METER CASE PARTS

For Models: CAM2742TQ0, CAM2742TQ2

(White) (White)



Illus. No.	Part No.	DESCRIPTION
1	3406994	Meter Case
2	385421	Funnel, Coin
3	339805	Screw, 10-32 X 3/16
4	90406	Nut, Cage
5	3954761	Plate, Adapter (Includes Item 2)
6	3349065	Bolt, Meter Case 5/16 - 24 X 1 (4)
7	W10138351	Harness, Timer
8	3351136	Door, Service
9	3400029	Nut, Adapter Plate (3)
10	3954812	Cushion, Case
11	385575	Bracket, Timer
12	W10112081	Timer, 60 Hz.
13	98654	Screw, Set (2)
14	385571	Clutch, Timer
	354987	E-Ring
15	3400064	Screw, Timer
16	98445	Screw, 10-16 x 3/4
17	3347825	Plate, Mounting
18		Key, Money Box
19	*8316525	Money Box (Includes Item 18)
20	*8316520	Coin Chute
21*	W10114740	Key, Service Door
22	*8316526	Security Lock & Cam Assembly
23	*8318517	Bolt, Coin Chute
24	*8316522	Extension
25	*3400086	Screw, 10-32 x 3/8
26	*8316524	Kit, Chute Decal

Coin Mechanism Parts May Be Ordered From Whirlpool (*) Or Vendor(s) Listed Below

◆ ESD
270 New Jersey Dr.
Fort Washington, PA
19034

1-800-523-1510

info@esdcoin.com

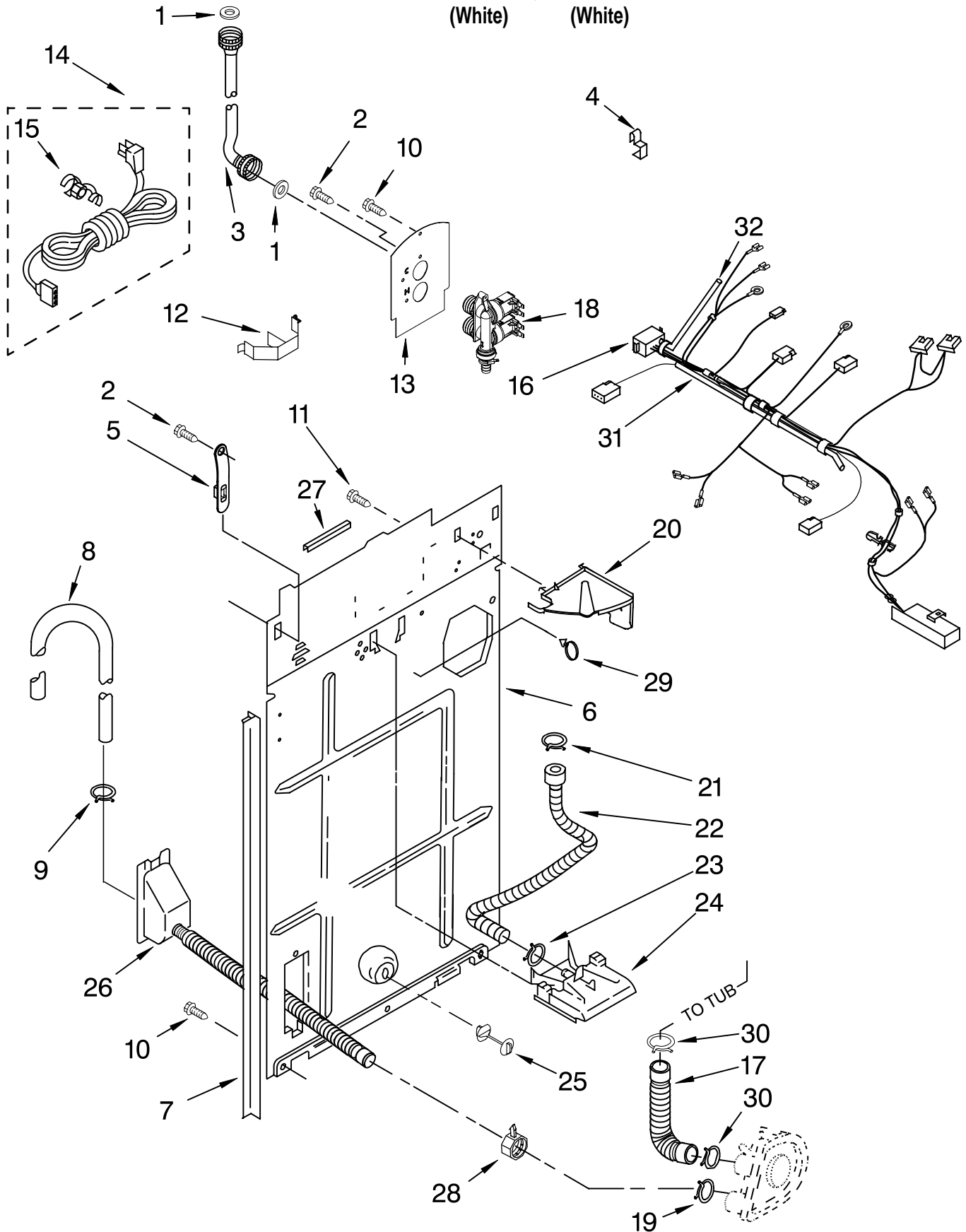
FOR ORDERING INFORMATION REFER TO PARTS PRICE LIST

REAR PANEL PARTS

For Models: CAM2742TQ0, CAM2742TQ2

(White)

(White)



FOR ORDERING INFORMATION REFER TO PARTS PRICE LIST

REAR PANEL PARTS

For Models: CAM2742TQ0, CAM2742TQ2

(White) (White)

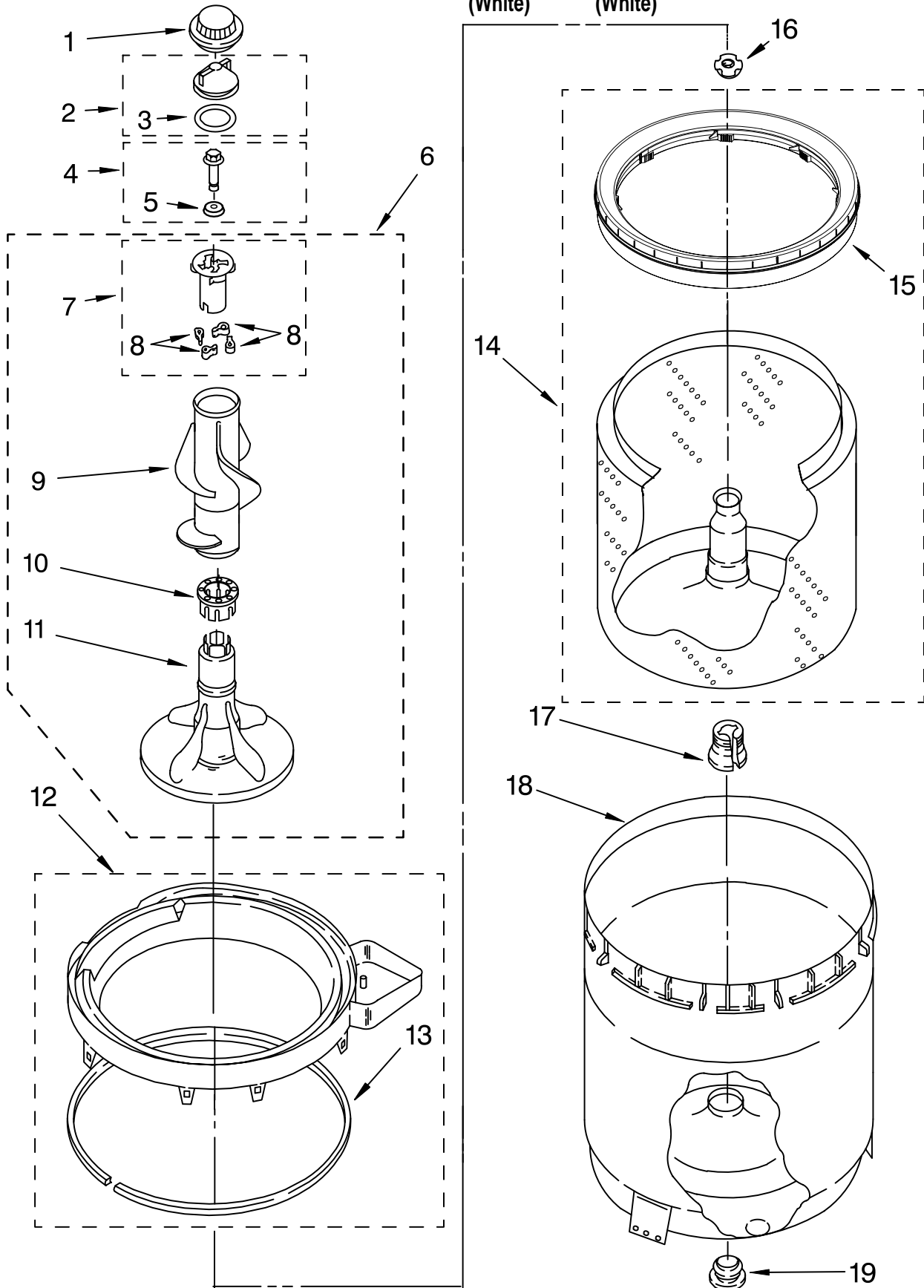
Illus. No.	Part No.	DESCRIPTION	Illus. No.	Part No.	DESCRIPTION	Illus. No.	Part No.	DESCRIPTION
1	3976300	Washer, Water Inlet Hose (4) (1-1/16 x 5/8)	11	3351614	Screw, 10-24 X 3/8	23	370450	Clamp, Hose
2	9740848	Screw, 8-18 x 1/2	12	8055003	Clip, Harness & Pressure Hose	24	387606	Break, Vacuum
3		Hose, Water Inlet	13	8541624	Plate, Mixing Valve	25	8519200	Support, Rear Panel
	3949380	Blue Coupler	14	3976231	Cord, Power	26	8317940	Drain Hose Assembly (Includes Item 28)
	3949381	Red Coupler	15	3952821	Strain Relief, Power Cord To Rear Panel	27	W10096784	Edge Protector
4	8282518	Clip, Harness	16	W10114216	Harness, Wiring (Includes Items 31 & 32) (For Detail See Pages 12 & 13)	28	3976395	Restraint, Hose
5	8568314	Strap, Console (2)	17	3951449	Hose, Pump To Tub (Includes Item 30)	29	8559320	Restraint, Hose
6	8541649	Panel, Rear (Includes Items, 5, 12 & 15)	18	3979347	Valve, Water Inlet & Thermistor Assy.	30	3363366	Clamp, Hose
7	62747	Pad, Rear Panel (2)	19	3366912	Clamp, Hose	31	8524801	Hose, Pressure Switch To Air Dome
8	96743	Hose, Drain (4')	20	8539874	Shield, Suds	32	8524791	Hose, Pressure Switch Link
9	8317496	Clamp, Hose	21	301958	Clamp, Hose	FOLLOWING PARTS NOT ILLUSTRATED		
10	62863	Screw, 10-16 x 3/8	22	8317974	Hose, Vacuum Break	3954579		Miscellaneous Parts Bag

FOR ORDERING INFORMATION REFER TO PARTS PRICE LIST

AGITATOR, BASKET AND TUB PARTS

For Models: CAM2742TQ0, CAM2742TQ2

(White) (White)



FOR ORDERING INFORMATION REFER TO PARTS PRICE LIST

AGITATOR, BASKET AND TUB PARTS

For Models: CAM2742TQ0, CAM2742TQ2

(White) (White)

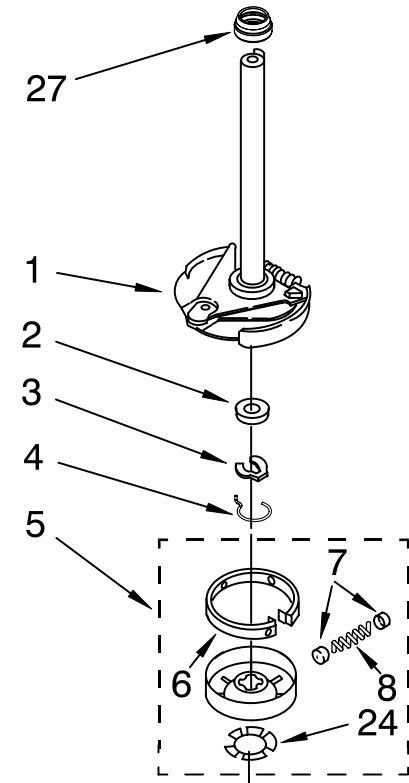
Illus. No.	Part No.	DESCRIPTION
1	3355758	Cap, Agitator
2	387094	Cap, Barrier
3	W10072840	Seal, Inner Cap
4	358237	Screw & Washer (5/16-24 X 1)
5	3949550	Washer
6	3349743	Agitator (Complete)
7	3947410	Cam, Driven
8	3366877	Dog, Agitator Clutch (4)
9	3349610	Clothes Mover
10	3351014	Spacer, Thrust
11	3349578	Agitator
12	8528150	Tub Ring & Gasket
13	3976308	Gasket, Tub Ring
14	8526017	Basket & Balance Ring
15	387240	Balance Ring
16	21366	Nut, Spanner
17	389140	Block, Basket Drive
18	W10135425	Tub
19	383727	Gasket, Centerpost

FOR ORDERING INFORMATION REFER TO PARTS PRICE LIST

BRAKE, CLUTCH, GEARCASE, MOTOR AND PUMP PARTS

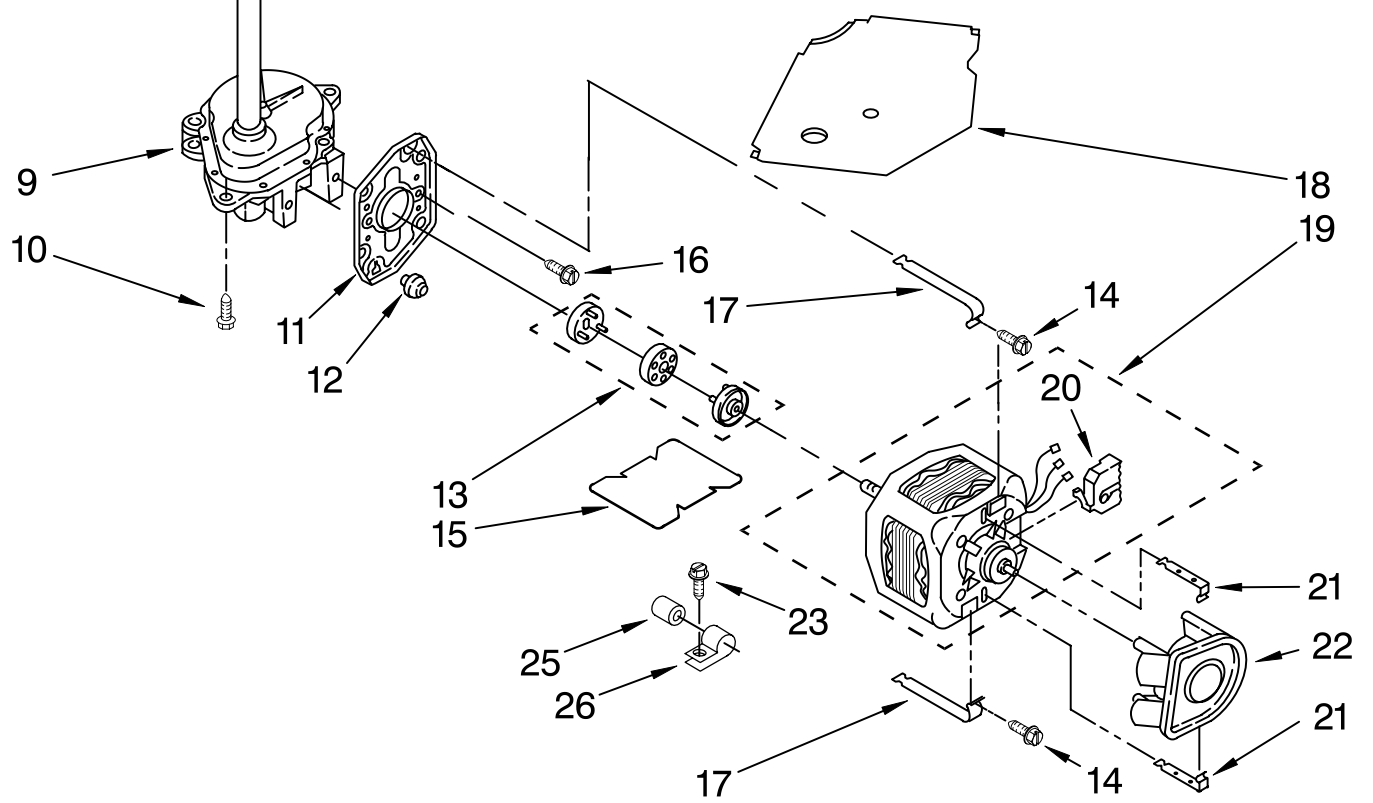
For Models: CAM2742TQ0, CAM2742TQ2

(White) (White)



Illus. No.	Part No.	DESCRIPTION
1	388952	Brake & Drive Tube (Complete) (Refer to Page 14 For Further Breakdown)
2	63292	Washer, Spin Tube Thrust
3	62697	Ring, Spin Tube Support
4	63283	E-Clip, Clutch Retainer
5	8299642	Clutch (Complete)
6	3951993	Band & Lining, Clutch (Includes Items 7 & 8)
7	62646	Cap, Clutch Spring (2)
8	8559387	Spring & Damper Assembly
9	3360630	Gearcase (Complete) (Refer To Page 15 For Further Breakdown)
10	3357334	Screw, Gearcase To Base (3)

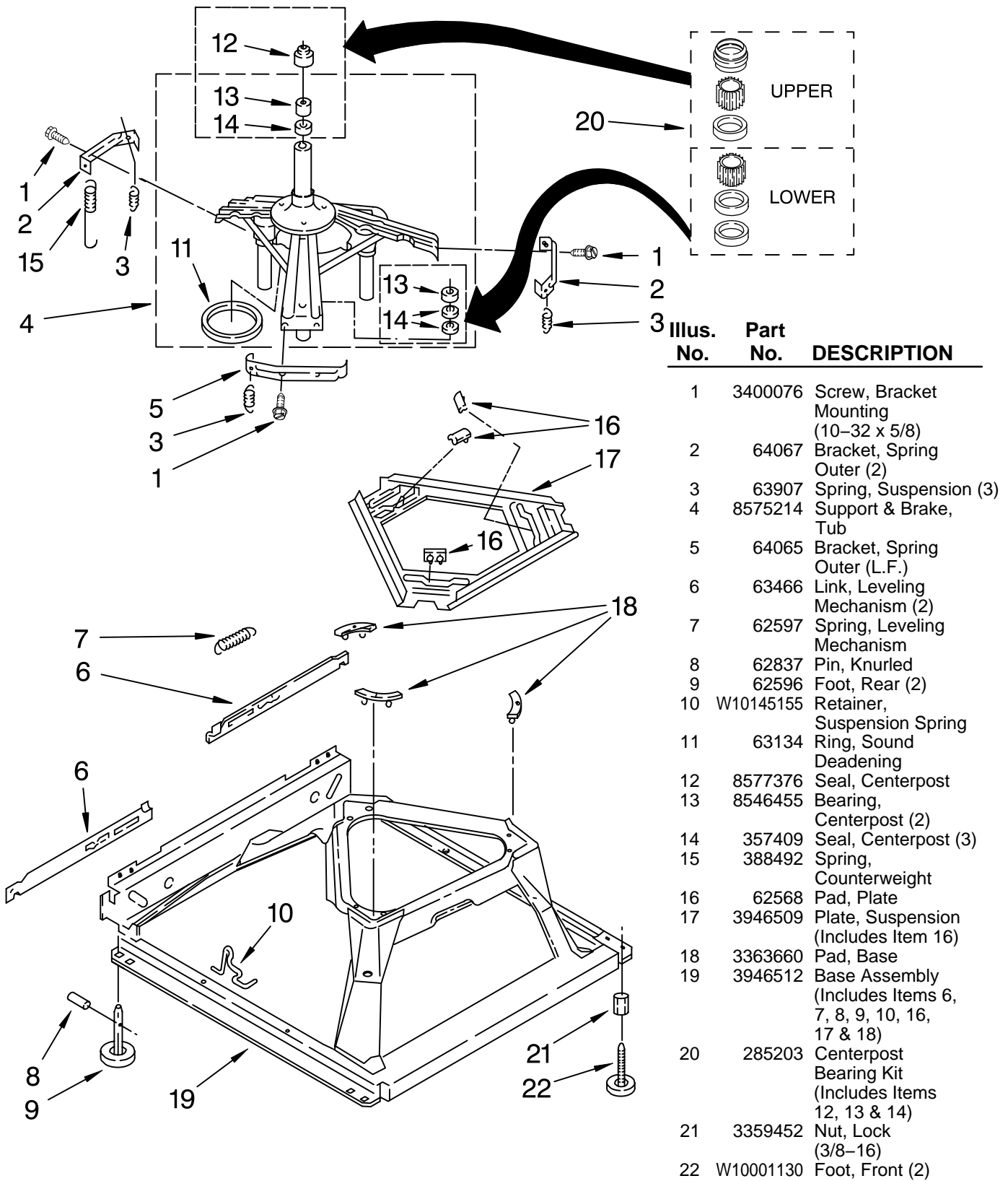
Illus. No.	Part No.	DESCRIPTION
11	62611	Plate, Motor Mount To Gearcase
12	62691	Grommet, Motor (4)
13	3978849	Coupling, Motor And Isolation
14	3387485	Screw (2) #10-16 x 5/8
15	3946532	Shield, Motor
16	3400516	Bolt, Motor Plate
17	W10086010	Retainer, Motor (2)
18	3362089	Shield, Tub To Motor
19	661600	Motor, Main Drive
20	62850	Switch, Main Drive Motor
21	8546127	Retainer, Pump (2)
22	3363394	Pump (Complete)
23	62863	Screw, 10-16 x 3/8
24	3355454	Clip, Anti-Rattle
25	8572717	Capacitor
26	3949496	Clamp, Capacitor
27	8577374	Seal, Shaft



FOR ORDERING INFORMATION REFER TO PARTS PRICE LIST

MACHINE BASE PARTS

For Models: CAM2742TQ0, CAM2742TQ2
(White) (White)

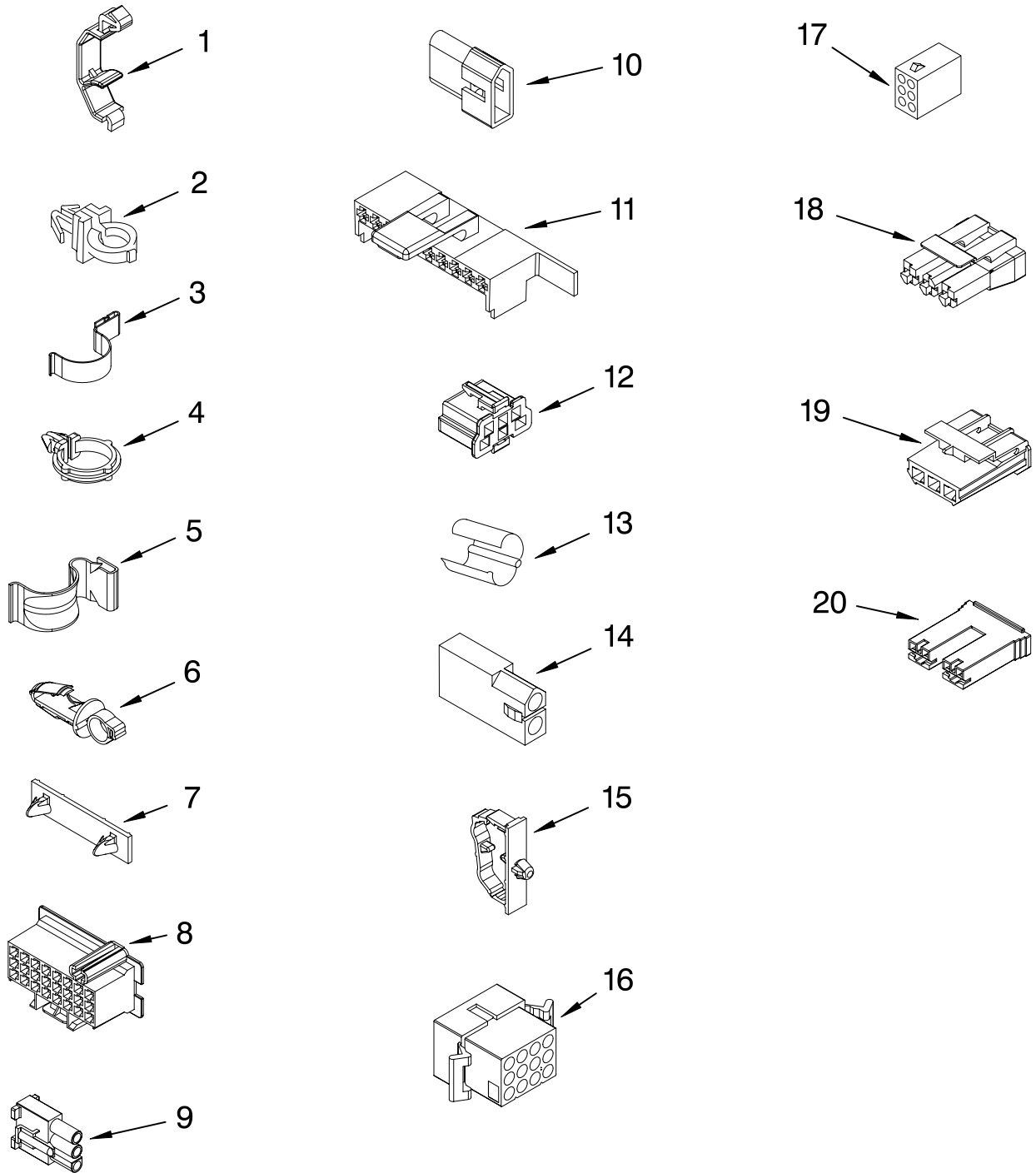


FOR ORDERING INFORMATION REFER TO PARTS PRICE LIST

WIRING HARNESS PARTS

For Models: CAM2742TQ0, CAM2742TQ2

(White) (White)



WH2J

WIRING HARNESS PARTS

For Models: CAM2742TQ0, CAM2742TQ2

(White) (White)

Illus. No.	Part No.	DESCRIPTION	Illus. No.	Part No.	DESCRIPTION	Illus. No.	Part No.	DESCRIPTION
1	3349557	Retainer, Harness	9	62889	Receptacle, Terminal	16	3390423	Block, Disconnect (12-Way)
2	388498	Clip, Harness			(3-Way)	17	3347730	Receptacle (6-Way)
3	3347812	Clip, Harness	10	353424	Plug, Terminal (3-Way)	18	3948617	Connector (T.P.A.) (3-Circuit)
4	3352501	Clip, Harness (Push-In)	11	62505	Block, Disconnect (Motor 2 Speed)	19	3360056	Plug (T.P.A.) (3-Circuit)
5	90016	Clip, Harness (Half-Harness)	12	3347243	Block, Disconnect	20		Block, Connector
6	3390496	Clip, Harness	13	63523	Protector		3354925	Natural
7	389379	Retainer, Harness	14	717252	Connector (2-Way)		3354926	Red
8		Timer, Block Disconnect	15	3352944	Clip, Harness			
	3948614	Natural						
	352089	Black						

**FOR COMPLETE WIRING HARNESS REFER TO
CONTROL AND REAR PANEL PARTS PAGE**

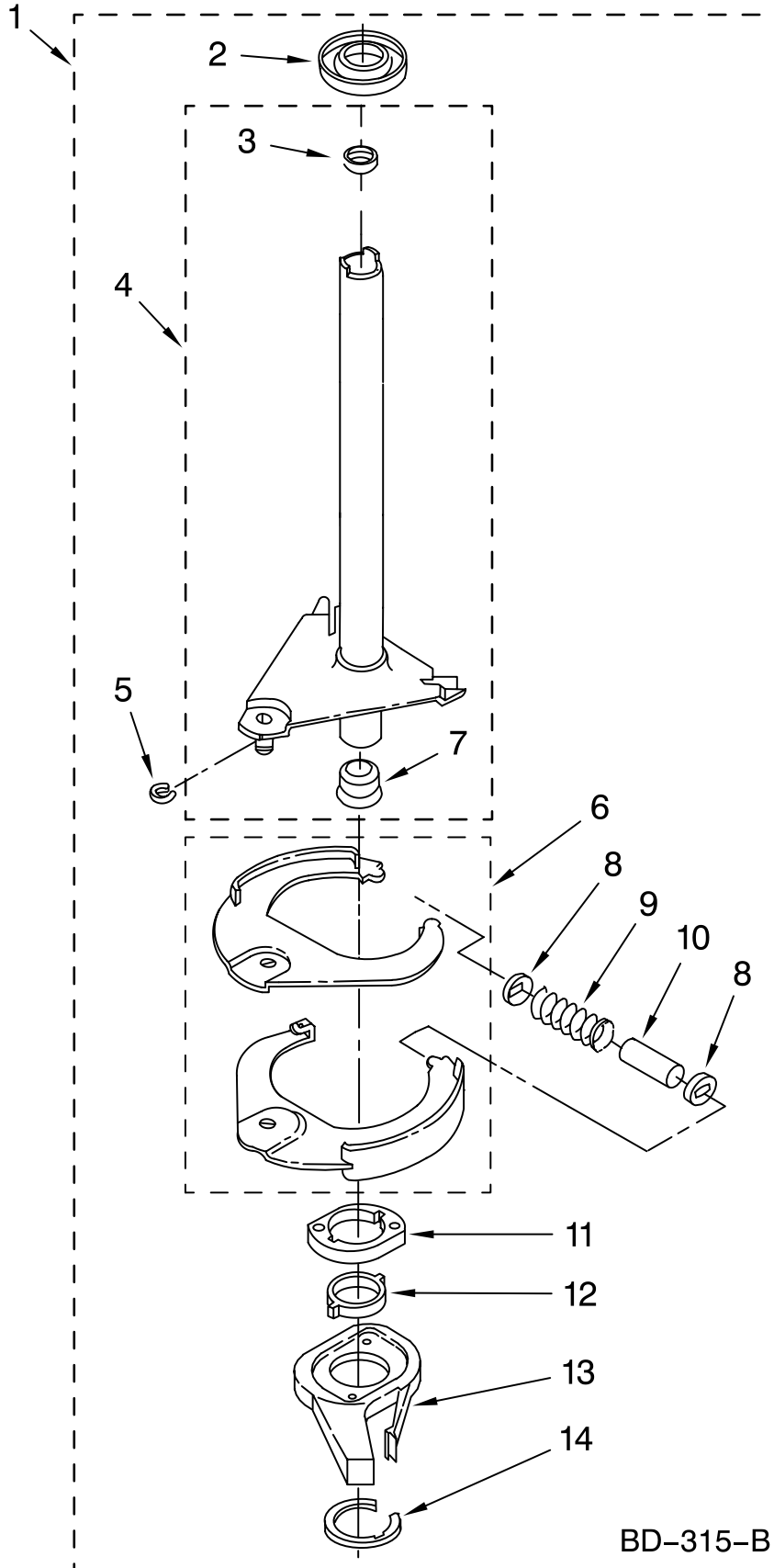
WH2J

FOR ORDERING INFORMATION REFER TO PARTS PRICE LIST

BRAKE AND DRIVE TUBE PARTS

For Models: CAM2742TQ0, CAM2742TQ2

(White) (White)



Illus. No.	Part No.	DESCRIPTION
------------	----------	-------------

1	388952	Brake And Drive Tube (Complete)
2	62658	Ring, Thrust
3	356427	Seal, Drive Tube
4	64027	Tube, Basket Drive (Includes Illus. 3, 4, 5 & 9)
5	64035	Ring, Retaining
6	64232	Shoe, Brake (2)
7	62703	"T" Bearing, Spin Tube
8	3353956	Cap, Brake Spring (2)
9	387806	Spring, Brake
10	3355360	Sleeve, Brake Spring
11	661516	Cam, Brake Release
12	63022	Sleeve, Cam
13	64194	Driver, Brake Cam
14	90368	Ring, Retaining

FOLLOWING PARTS NOT ILLUSTRATED

285208 Lubricant
(Use Only In Brake Shoe Assembly On Roller & Pin)

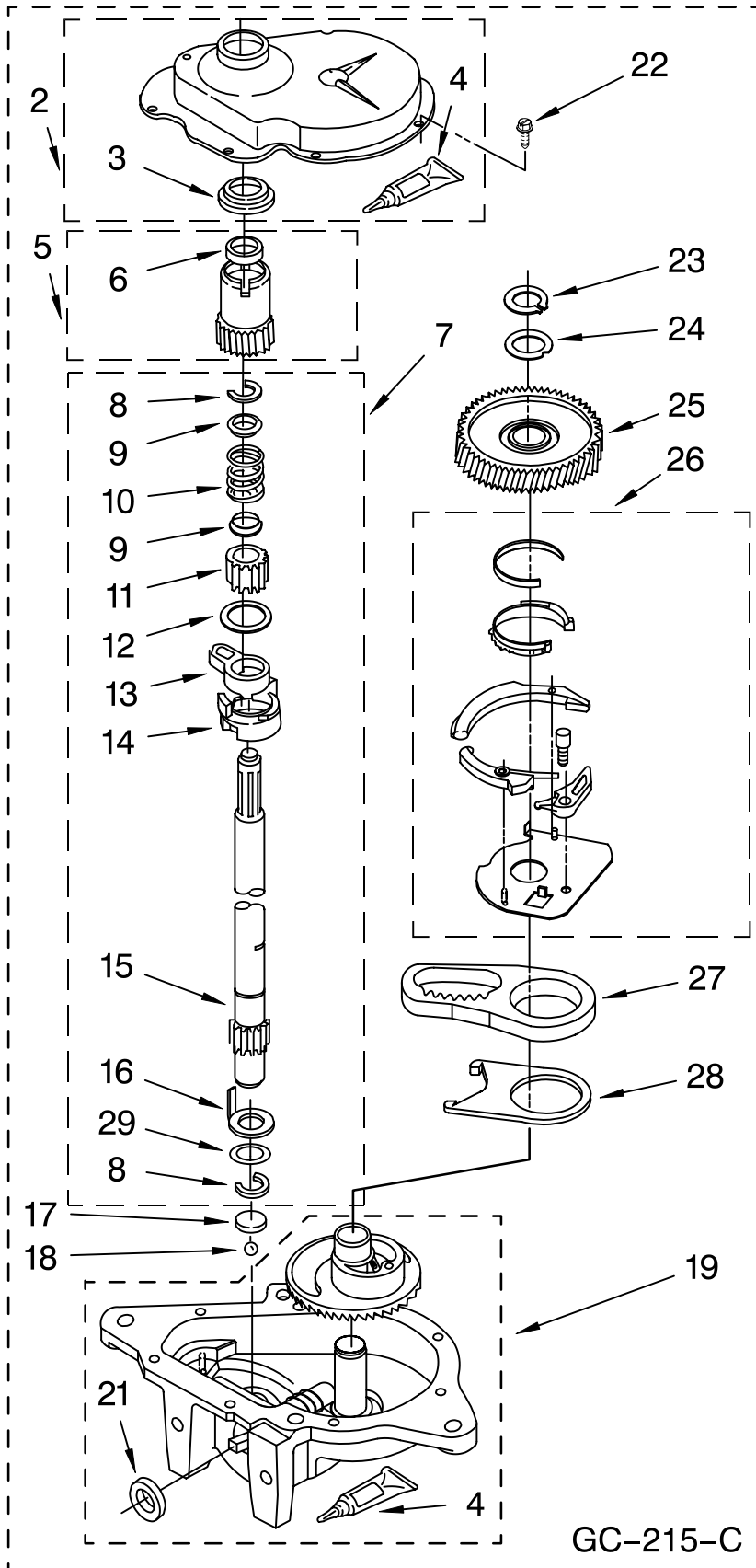
BD-315-B

FOR ORDERING INFORMATION REFER TO PARTS PRICE LIST

GEARCASE PARTS

For Models: CAM2742TQ0, CAM2742TQ2

(White) (White)



Illus. No.	Part No.	DESCRIPTION
1	3360630	Gearcase (Complete)
2	285202	Cover, Gearcase
3	3349985	Seal, Gearcase Cover
4	285195	Sealer, Gasket (.20 Fl. Oz.) (6 ml)
5	63320	Pinion, Spin (Includes Illus. 25)
6	356427	Seal, Spin Pinion
7	389387	Shaft, Agitator (Complete)
8	90369	Ring, Retaining (2)
9	62677	Retainer, Spring
10	62676	Spring, Agitate
11	63273	Gear, Agitate (Includes 15 and 29)
12	62619	Washer, Agitate Gear
13	62580	Cam Follower (Includes 14)
14	62581	Cam, Agitate (Includes 13)
15	285509	Shaft, Agitator (Includes 11 and 29)
16	62618	Washer, Cam Thrust
17	16018	Bearing, Thrust
18	85529	Ball, Bearing
19	389230	Bottom and Pinion, Gearcase
21	285352	Seal, Thrust Plug
22	3351614	Screw, Gearcase Cover, Mounting (8) (10-24 x 3/8)
23	3362552	Ring, Retaining
24	285735	Washer Kit, Thrust
25	62570	Gear, Spin
26	388253	Neutral Assembly
27	3349296	Rack, Connecting
28	62621	Actuator, Shift
29	388815	Washer, Intermediate

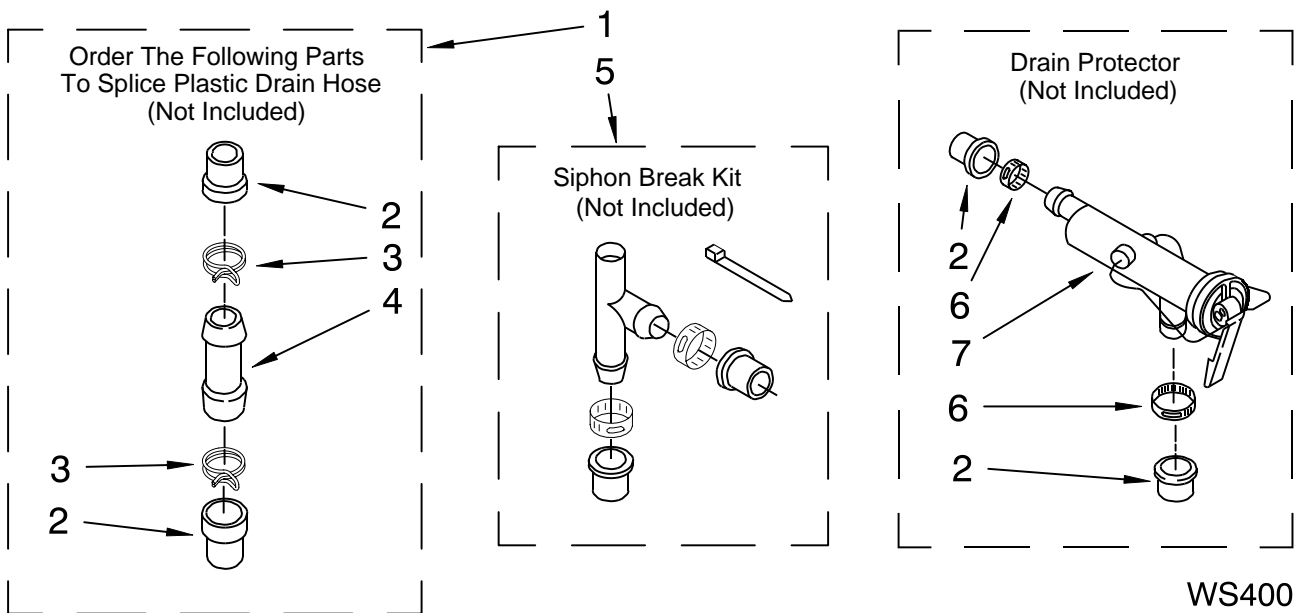
GC-215-C

FOR ORDERING INFORMATION REFER TO PARTS PRICE LIST

WATER SYSTEM PARTS

For Models: CAM2742TQ0, CAM2742TQ2

(White) (White)



Illus. No.	Part No.	DESCRIPTION
1	285442	Connector Kit, Plastic Drain Hose
2	285321	Sleeve Kit, (Contains 2 Sleeves)
3	370447	Clamp, Hose
4	16272	Connector, Straight
5	285320	Siphon Break Kit (Not Included)
6	65349	Clamp, Hose
7	367031	Drain Protector (Not Included)

FOR ORDERING INFORMATION REFER TO PARTS PRICE LIST

OPTIONAL PARTS (NOT INCLUDED)

For Models: CAM2742TQ0, CAM2742TQ2

(White) (White)

Illus. No.	Part No.	DESCRIPTION
-------------------	-----------------	--------------------

PAINT, TOUCH-UP (1/2oz.)

72017 White

PAINT, PRESSURIZED SPRAY (12 oz.)

350938 Primer, Gray
350930 White

PAINT, BULK (1 qt.)

799344 White (Uncut)

OIL

350572 Oil, Gearcase
(16 Oz.)

LUBRICANT

285208 Lubricant (Use
Only in Brake
Shoe Assembly
On Roller and
Pin)
389236 Lubricant,
Agitator Spline

SEALER

285195 Sealer, Gasket
(.20 Fl. Oz.) (6 ml)

FOR ORDERING INFORMATION REFER TO PARTS PRICE LIST

Free Manuals Download Website

<http://myh66.com>

<http://usermanuals.us>

<http://www.somanuals.com>

<http://www.4manuals.cc>

<http://www.manual-lib.com>

<http://www.404manual.com>

<http://www.luxmanual.com>

<http://aubethermostatmanual.com>

Golf course search by state

<http://golfingnear.com>

Email search by domain

<http://emailbydomain.com>

Auto manuals search

<http://auto.somanuals.com>

TV manuals search

<http://tv.somanuals.com>